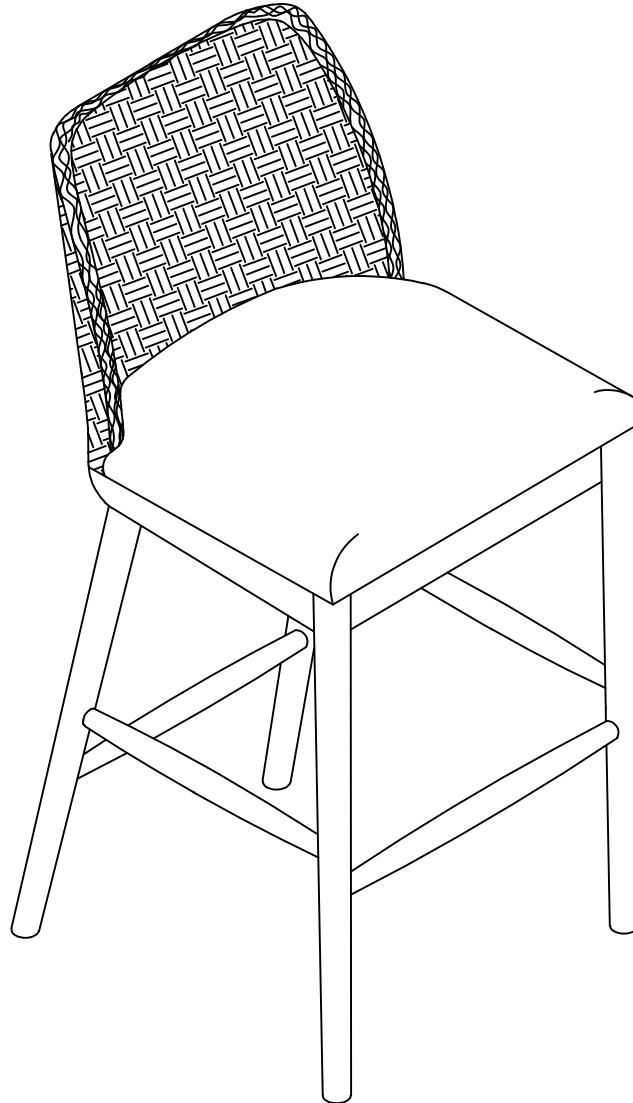


Let's build the

Rikki Bar Stool

SKU 29201



Scan me!

Free Lifetime
Warranty

nathan james

25-0116-VN

Ok, let's get rolling

This should be easy, just follow our instructions and you will be back to Netflix in no time.

Estimated time for assembly



30:00

What you need

- Some of your favourite bubbly or your preferred relaxant
- Use the packaging carton as a working surface to prevent product damage during assembly
- Phillips head screwdriver

Weight Limitation



275
lbs

Toll-free at 1-866-619-1004
Help@nathanjames.com
Nathanjames.com/help

What's included

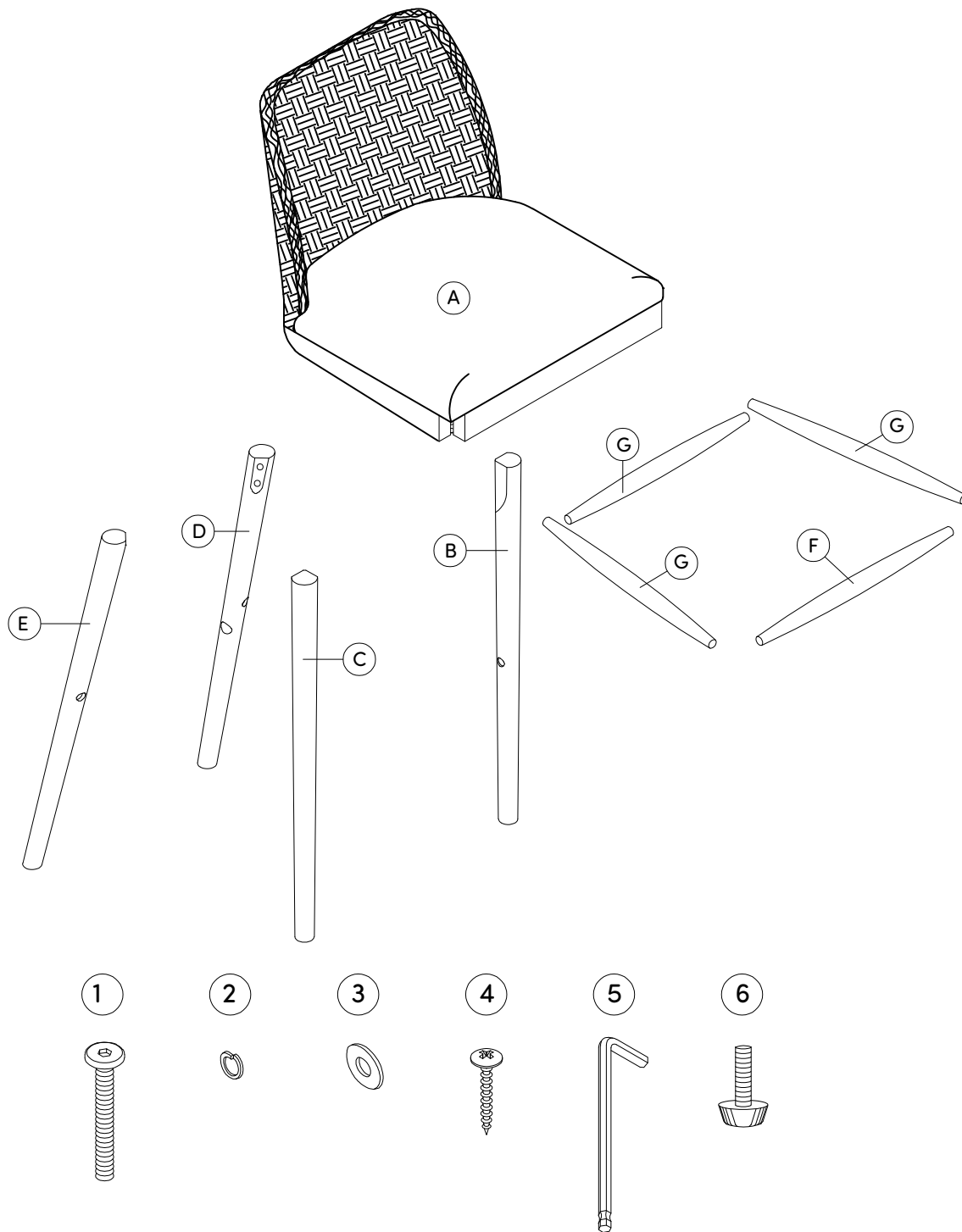
Description	Qty
A Seat Sub-assembly	1
B Left Front Leg	1
C Right Front Leg	1
D Left Back Leg	1
E Right Back Leg	1
F Footrest	1
G Stretcher	3
1 Ø1/4" x 50mm Hex Button Head Bolt	8
2 Ø1/4" x 10mm Spring Washer	8
3 Ø1/4" x 19mm Flat Washer	8
4 M4*40mm Phillips Head Screw	8
5 Allen Key	1
6 Leveler (Extra)	2

Scan me!

Free Lifetime
Warranty



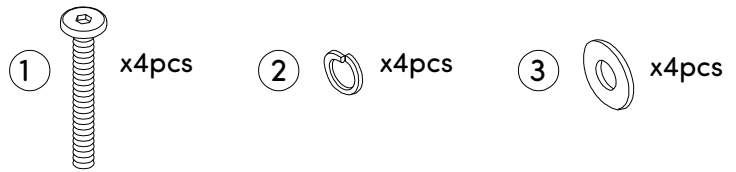
The goods



IMPORTANT

1. Do not tighten bolts / screws completely until all bolts / screws are lined up and inserted into holes.
2. Do not over tighten screws and bolts to avoid stripping.
3. Please use hand tools to assemble this product.

Step 1



Let's get this thing fired up!

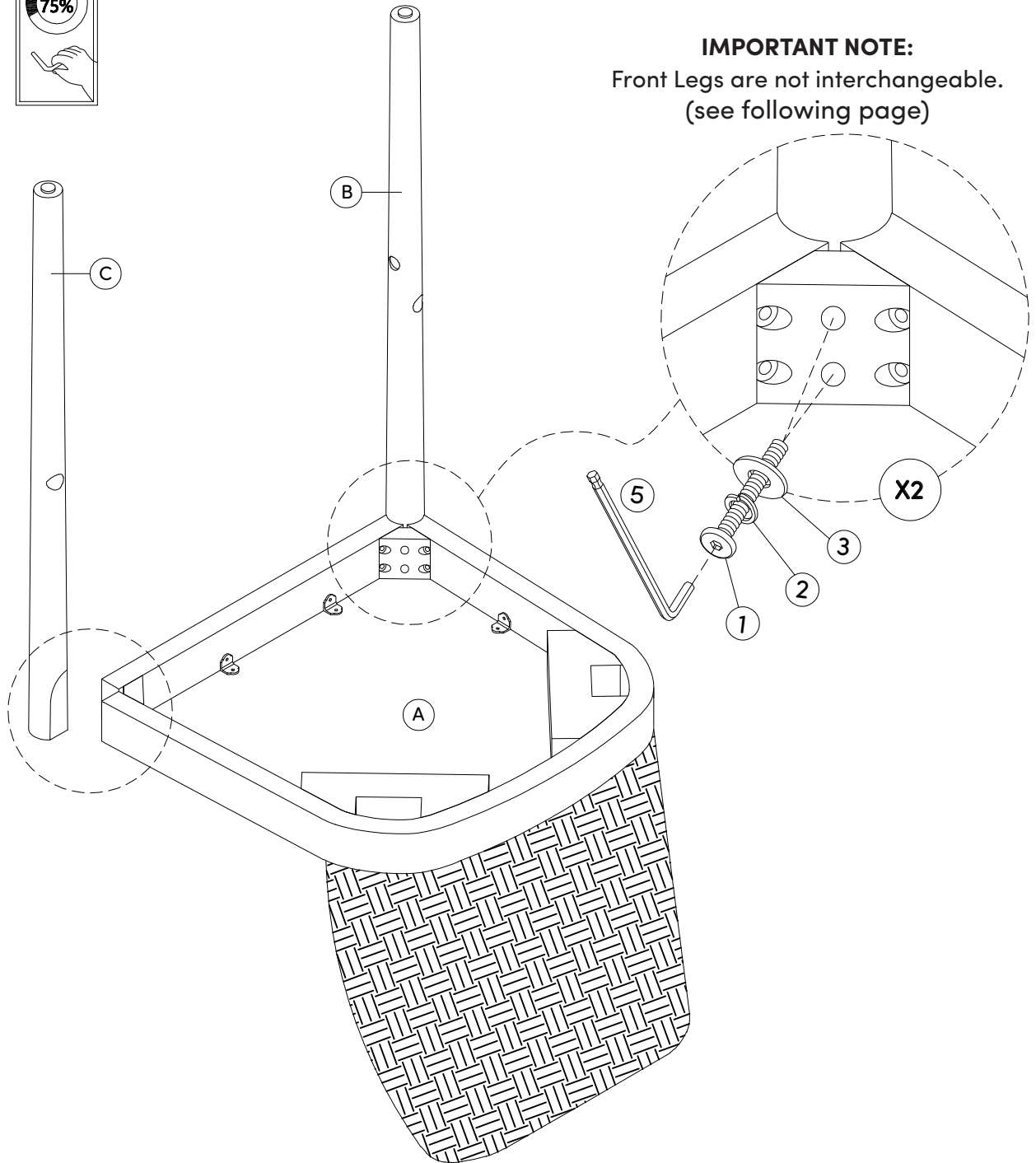
Secure the Chair Back Sub-assembly (A) and the Front Legs (B)(C) together using the Hex Button Head Bolts (1), Lock Washers (2) and Flat Washers (3).

See, we told you this was going to be easy!

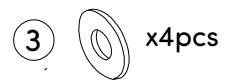
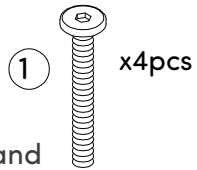
Tighten only to 75%



IMPORTANT NOTE:
Front Legs are not interchangeable.
(see following page)

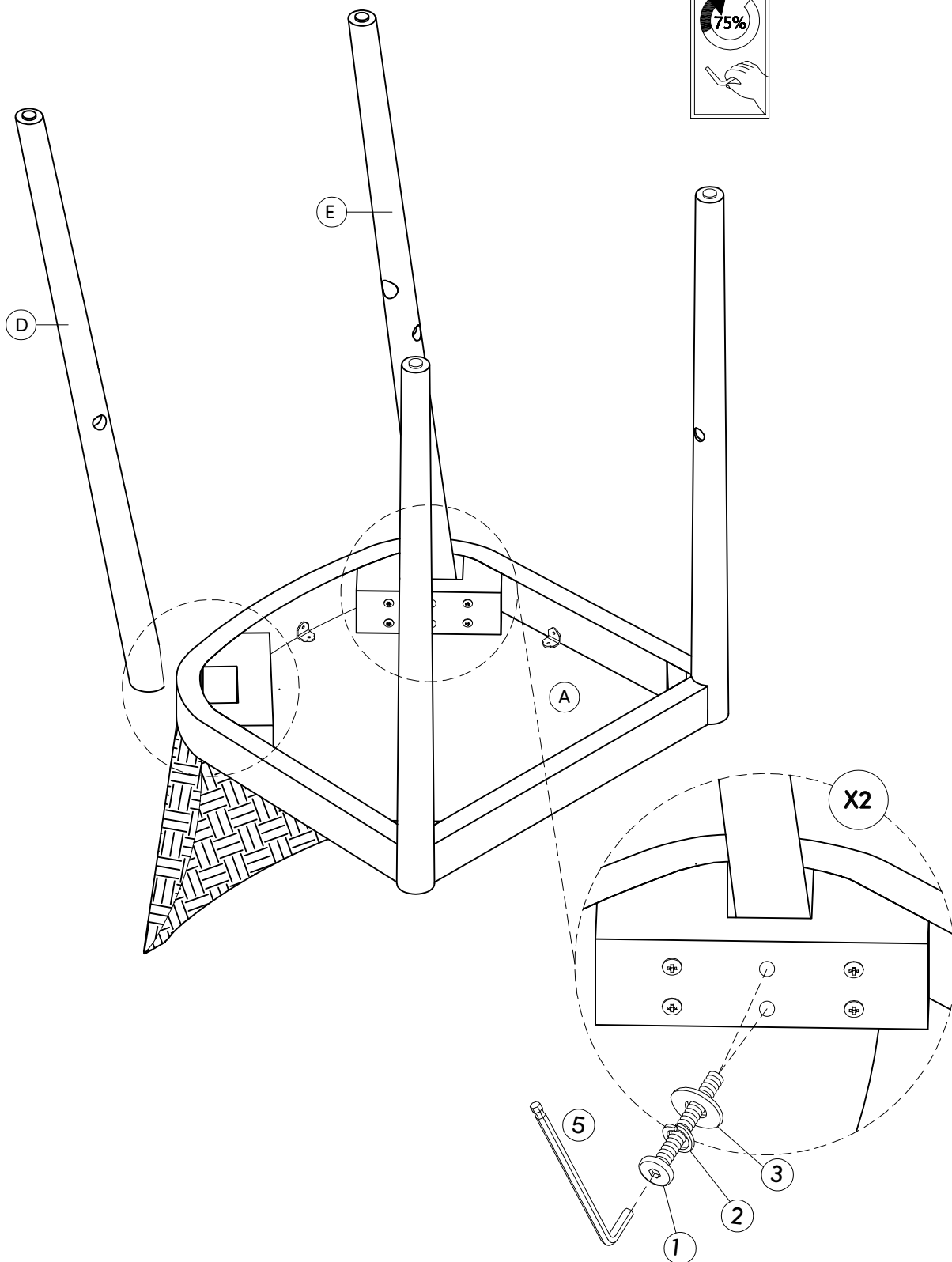
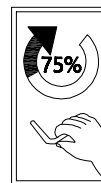


Step 2



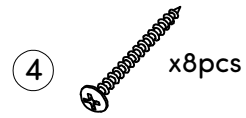
Secure the Chair Back Sub-assembly (A) and Back Legs (D)(E) using the Hex Button Head Bolts (1), as well as both washers (2)(3).

Tighten only to 75%



Step 3

Now, screw on the Front Stretcher (F), and the Stretcher (G).



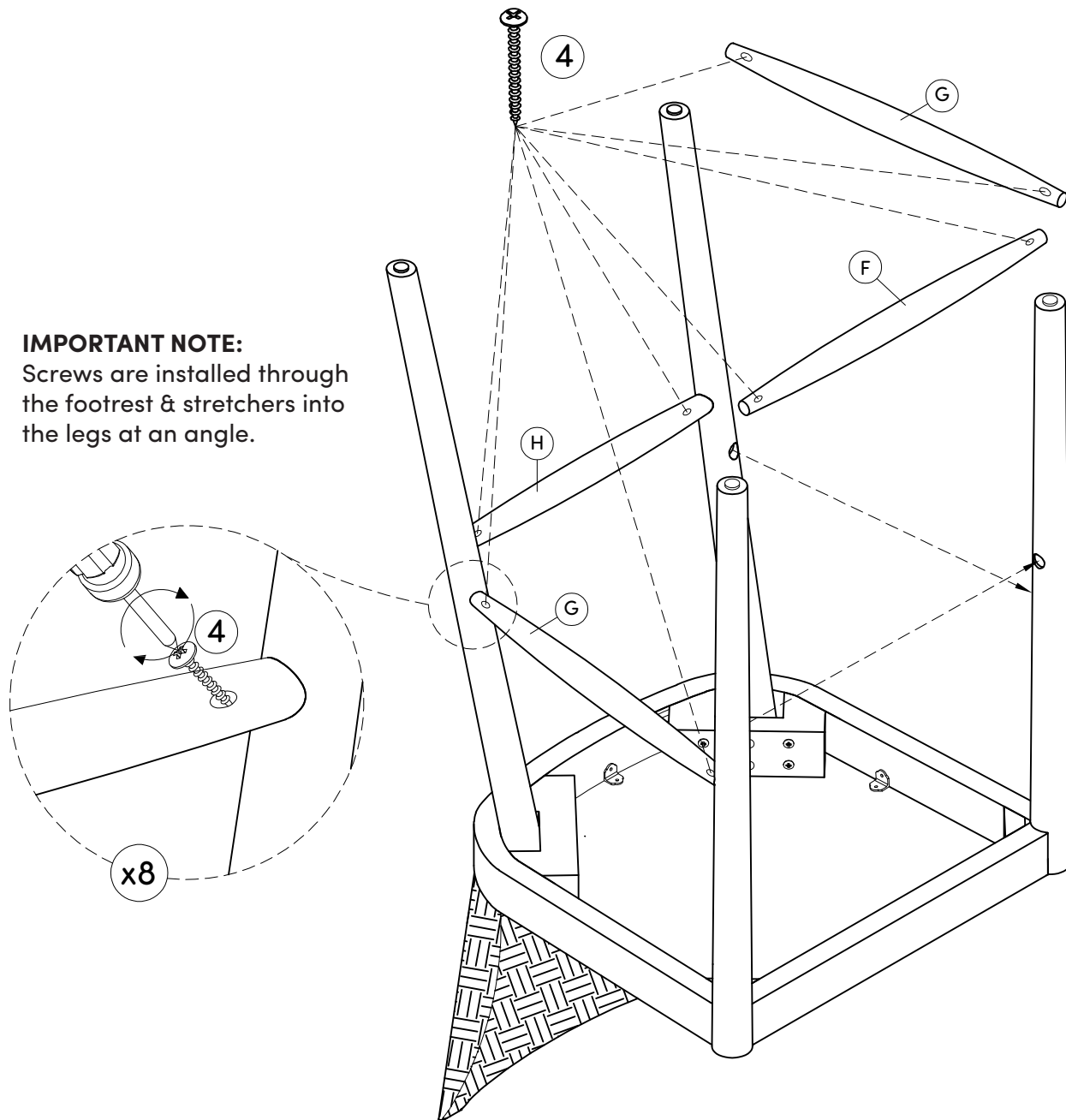
If you are having trouble getting the screws to catch, it is recommended to carefully use an electric screwdriver or drill with necessary bit for this step.



Do not over-tighten; holes may become stripped.

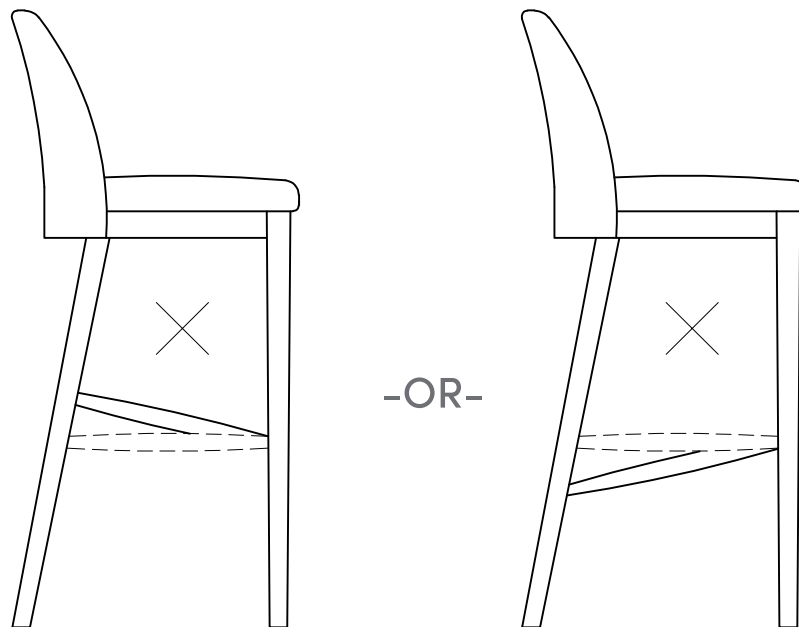
IMPORTANT NOTE:

Screws are installed through the footrest & stretchers into the legs at an angle.



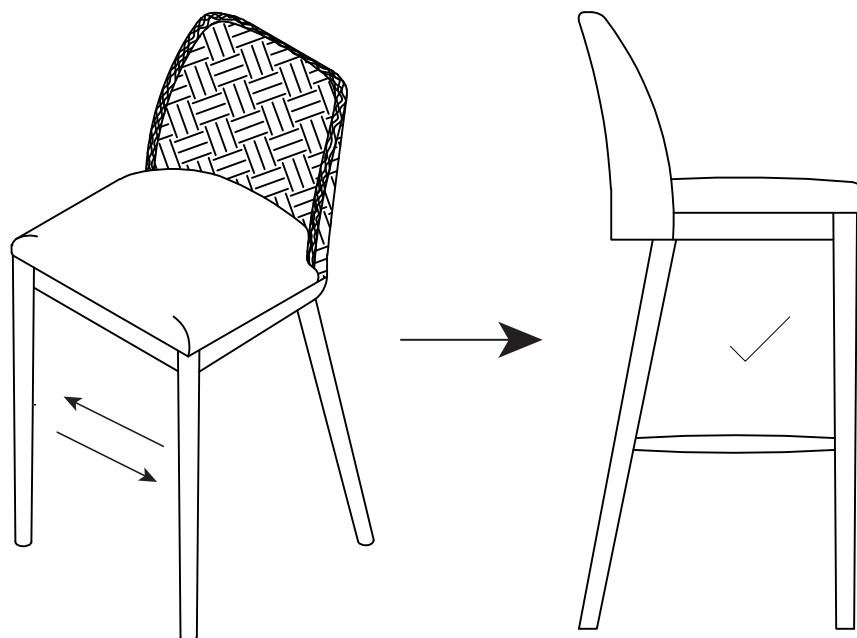
Issues with stretchers aligning at an angle?

If the stretchers are set at an angle when you are aligning them with their respective holes on the front & back legs, **you have likely assembled the front legs incorrectly.**



Re-check to confirm that the proper legs are installed in their intended position on the proper side of the stool.

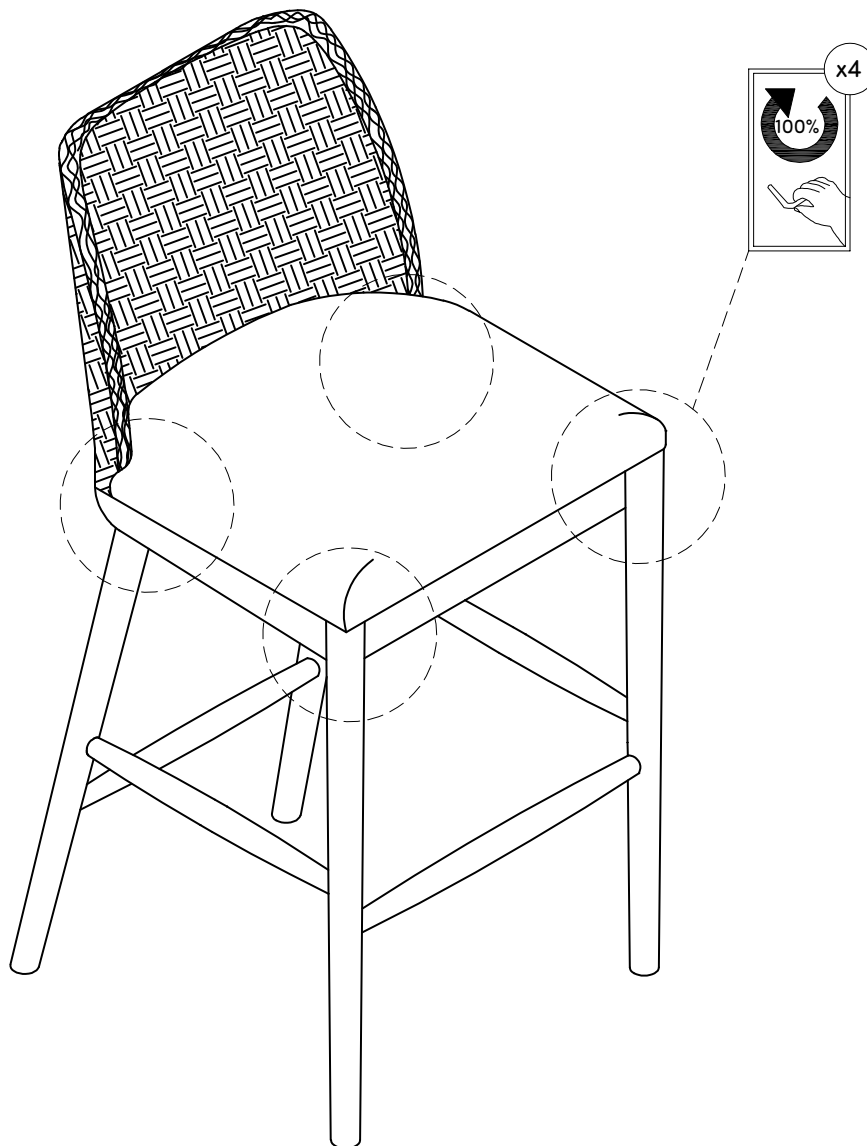
The front legs are not interchangeable; therefore they may need to be rotated and swapped to the opposite side.



Step 4

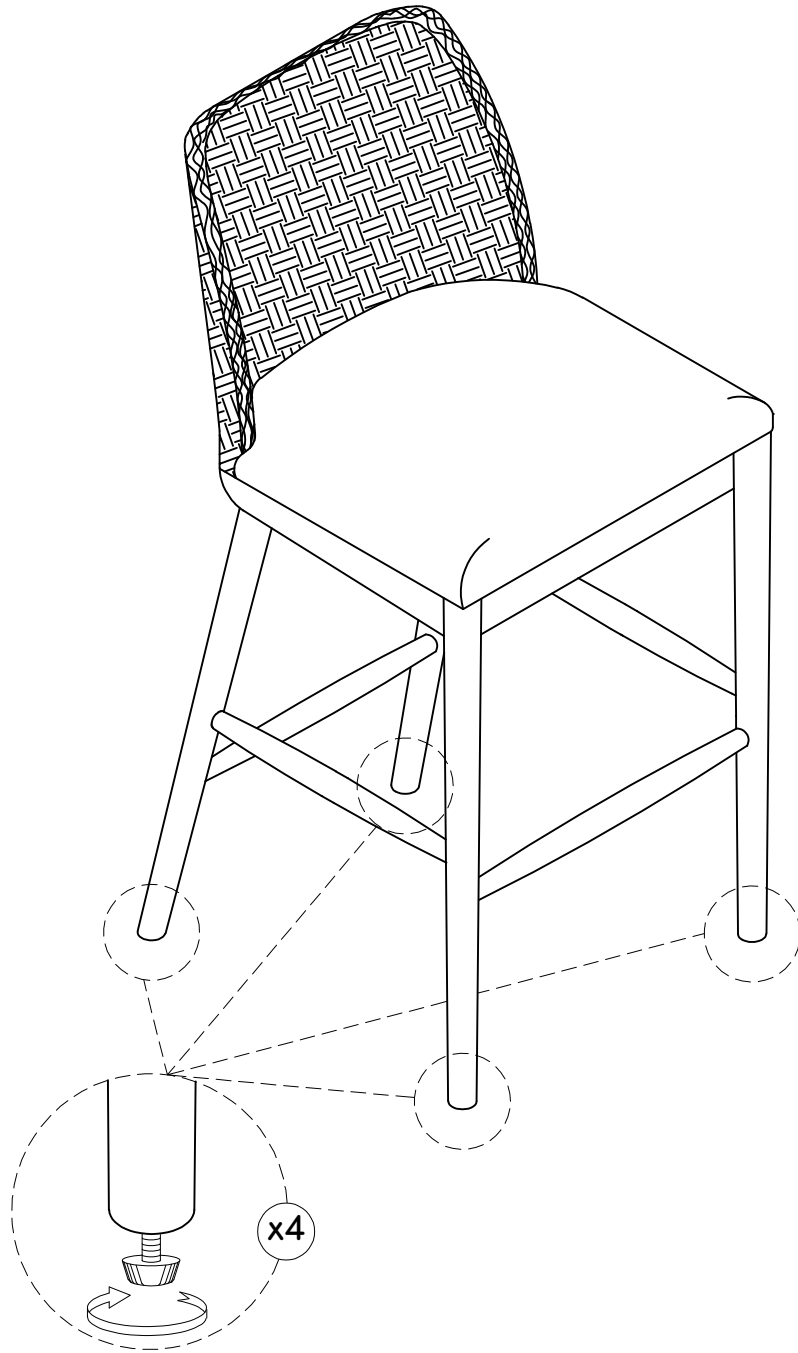
Carefully flip the stool over on a flat surface and make sure the legs are touching the ground evenly before tightening everything to 100%.

You did it! Go tuck your bar stool into your kitchen island and celebrate with some pizza!



Step 5

Your next step, go ahead and double-check that the Legs is touching the ground. If not, it has an adjustable leveler in order to suit all flooring types.



No heartburn, when we handle the return

Give us a call **1-866-619-1004** or shoot us a message at **help@nathanjames.com** we will issue you a free replacement with **zero hassle**.

Our way



Give us a call



Replacement



You

Their way



Re-package item



Schedule pick up



Track package



Replacement



You

We really don't want you to go through the hassle of re-packaging your item and sending it back, because let's be honest...nobody has time for that.

Safety first, fun later

We want your product to last as long as possible, so we recommend that you tighten the screws 2 weeks after assembly and for added safety check the tightness of all screws every 2 months.

For proper care and treatment, please check our website at NathanJames.com/products

Safe use of this product starts with you.

Use this product responsibly with the primary concern for your safety. Follow assembly instructions carefully and inspect product upon receipt and each use.

Nathan James and its parent companies cannot be held legally responsible for any injuries or death resulted from failure to follow instructions or improper use of this product.

Do not modify the structure of this product in any way.

Our products have been tested to meet specific safety measures as they were originally intended to be sold. Any modifications will present the risk of creating significant safety issues which NJ will not be responsible for.

Proper use

- DO NOT** use for commercial purposes
- DO NOT** place on uneven floor
- DO NOT** use as a step-stool or stand on
- DO NOT** put hot serving liquid directly on the stool
- DO NOT** leave spilled liquid on stool
- DO NOT** use if damaged or broken
- DO NOT** make temporary repairs

We are only in business if you're happy

For starters, thanks for being you.

☎ Toll-free at 1-866-619-1004

✉ Help@nathanjames.com

🌐 NathanJames.com/help

We do our best to ensure your furniture arrives without any problems, but occasionally mistakes happen—as humans we are imperfect beings. In the event that a part is damaged or missing, we will be more than happy to provide you with replacement part(s) for free.

Warranty

This product comes with a lifetime warranty from the date of purchase. Please use your phone to scan the QR code to register your product or visit <https://goo.gl/i9dk3q>



Did we do alright? Please spread the love!

If you are happy with your product, tell your friends and family about us or even better leave us a review online. Spreading the word gives us the opportunity to make more people happy and keep our prices low for your next purchase.

Brooklyn Burden

Founder, Nathan James