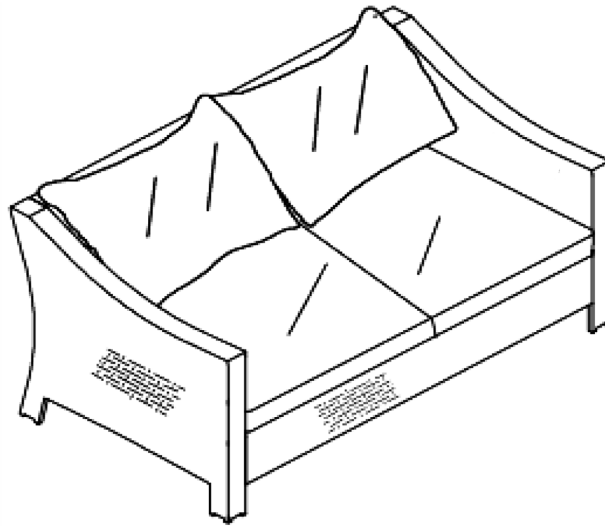


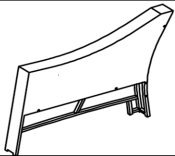
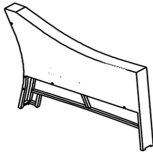
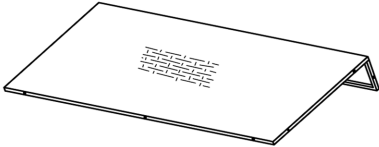
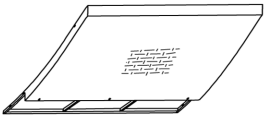


Assembly Instructions

Caution: You must read this before you proceed




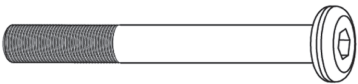


Loveseat



Parts List

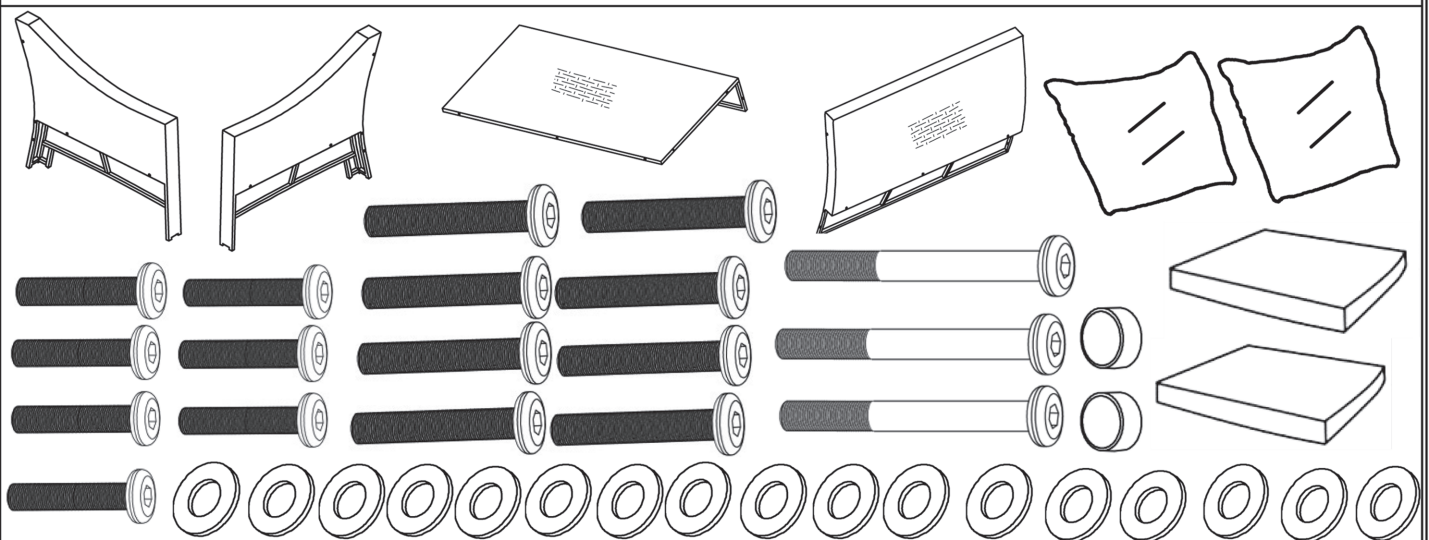
Label	Picture	Description	QTY
A		Right Armrest	1
B		Left Armrest	1
C		Chair Seat	1
D		Chair Back	1
E		Back Cushion	2
F		Seat Cushion	2

Hardware

Label	Picture	Description	QTY
①		Allen Key	1
②		Bolt (M6*30mm)	7
③		Bolt (M6*40mm)	8
④		Bolt (M6*90mm)	3
⑤		Washer	16
⑥		PE Cap	3

Assembly Preparation

Before Beginning Assembly:



- Read instructions, cover to cover-



- Have 2 adults on hand for assembly-



- Do not assemble on flooring or carpet-



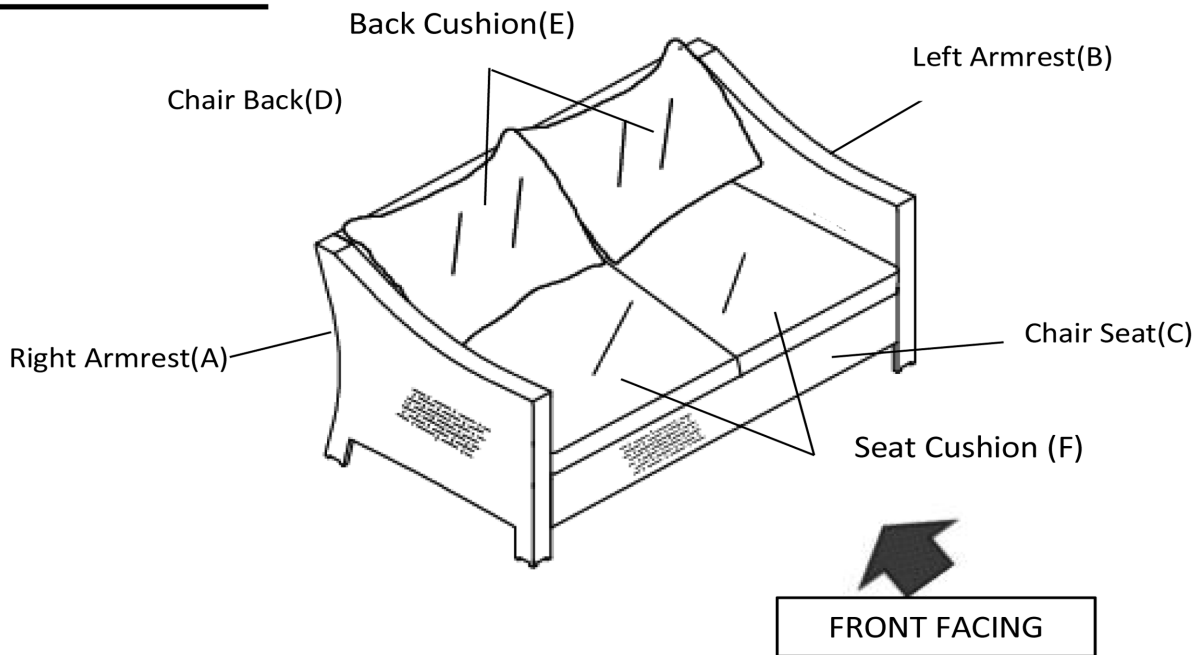
- Assemble on a clean non-marring surface (packing foam)-



- Save all packaging until finished-

Assembly Steps

OVERVIEW

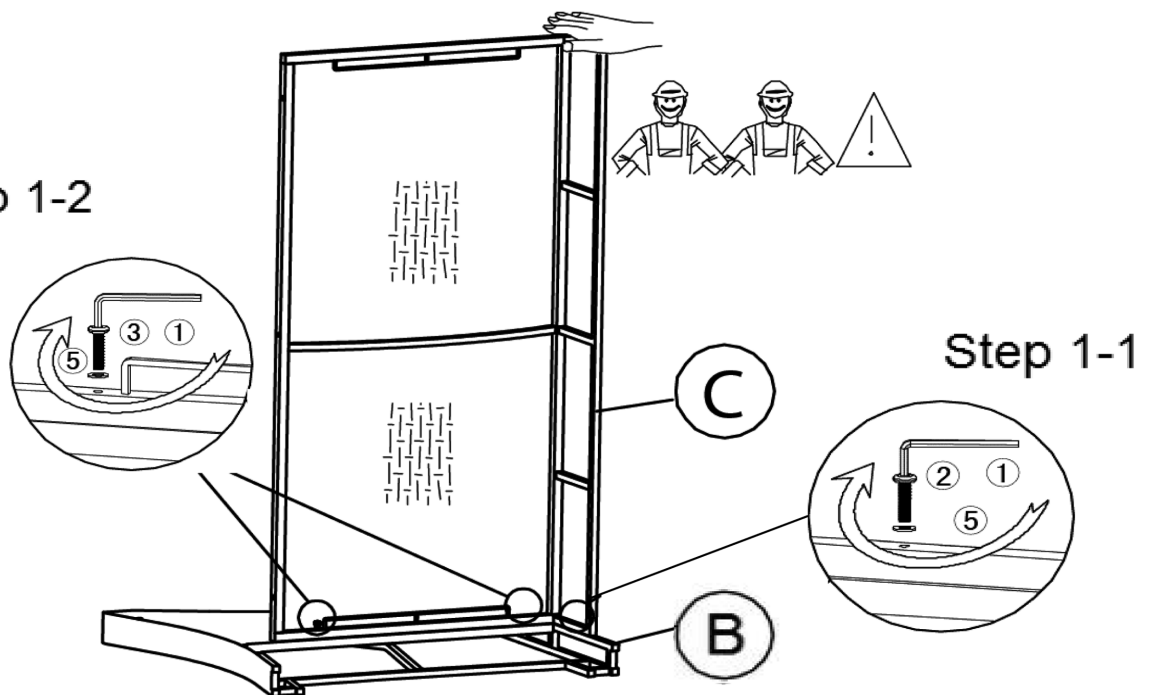


This Loveseat has multiple parts and may require up to 30 minutes to assemble. To give you an overview of the Loveseat parts, the above picture is to help you put the various parts into perspective. Please read through the instructions below to familiarise yourself with the parts and steps before assembly.

NOTE: It is recommended that you have a partner to assist during the entire assembly process.

Step 1

Step 1-2



Open the carton and place all the parts onto a clean, non-marring surface.

Hold the Chair Seat (C) up and align the mounting positions to the Left Armrest(B) .

Step(1-1) Attach Chair Seat(C) to Left Armrest(B) using Bolt(②) and Washer(⑤) with Allen Key(①).

Step(1-2) Attach Chair Seat(C) to Left Armrest(B) using Bolt(③) and Washer(⑤) with Allen Key(①).

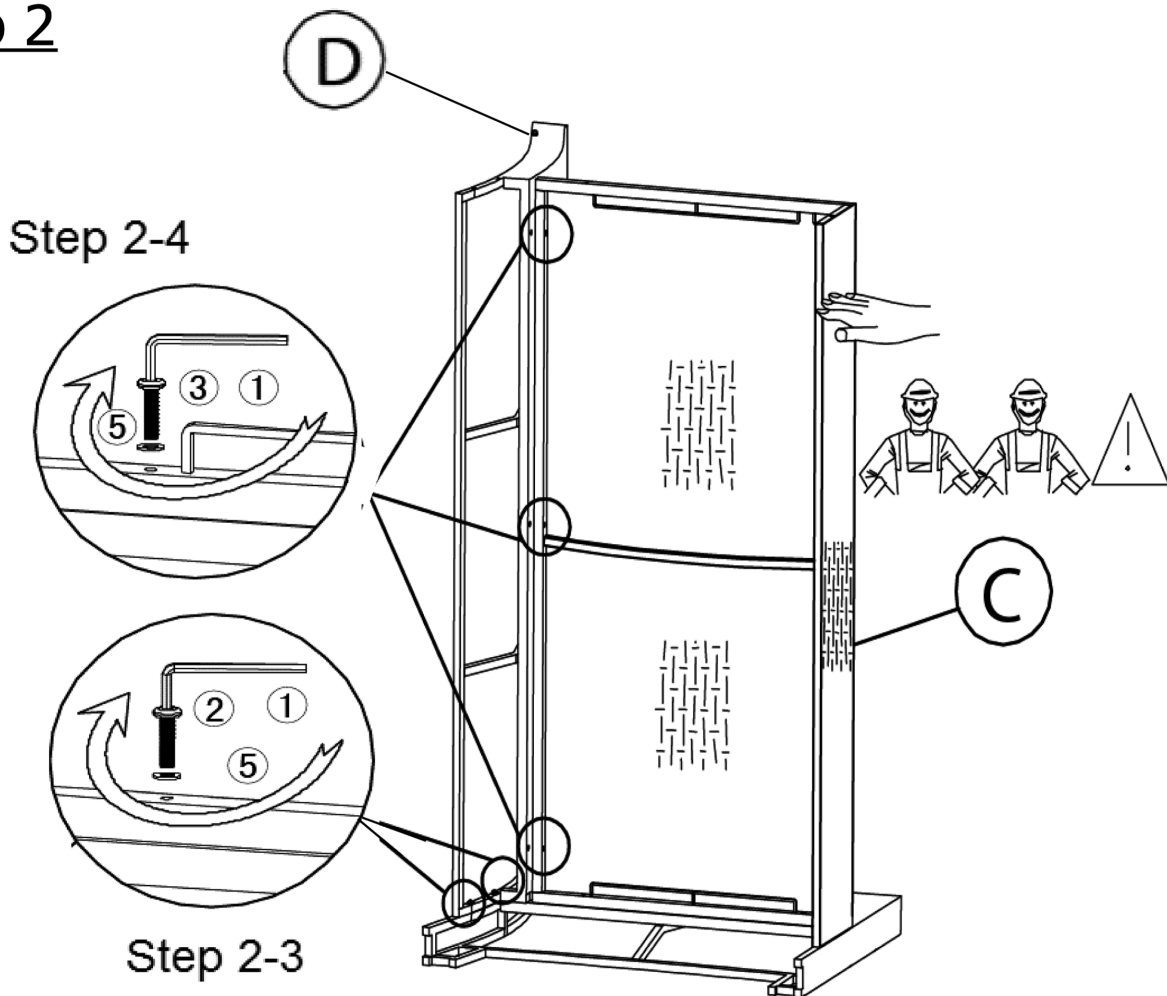
Only loosely tighten the Bolts.

ATTENTION: There may be some PE wicker that may have covered the Bolt points.

To ease assembly, guide and slide the PE wicker away from the mounting positions.

DO NOT CUT AWAY any PE WICKER as this would cause the wicker to unravel!

Step 2

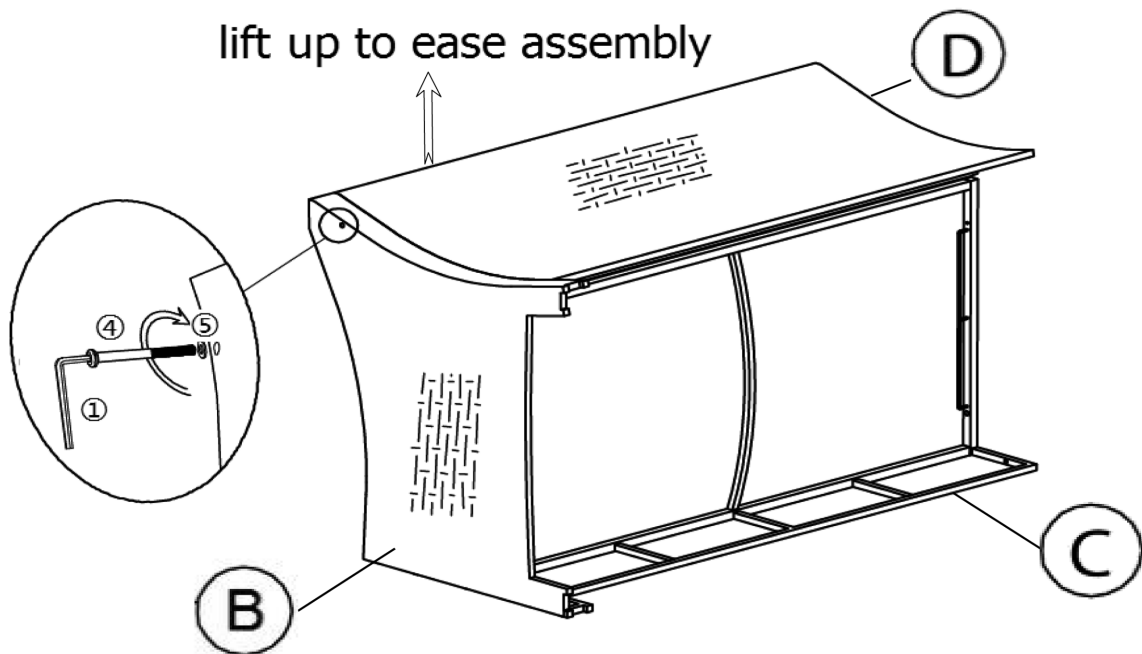


Step2-3) Attach Chair Back(D) to the Left Armrest(B) and Chair Seat(C) using Bolt(②) and Washer(⑤) with Allen Key(①).

Step2-4) Attach Chair Back(D) to the Left Armrest(B) and Chair Seat(C) using Bolt(③) and Washer(⑤) with Allen Key(①).

Only loosely tighten the Bolts.

Step 3



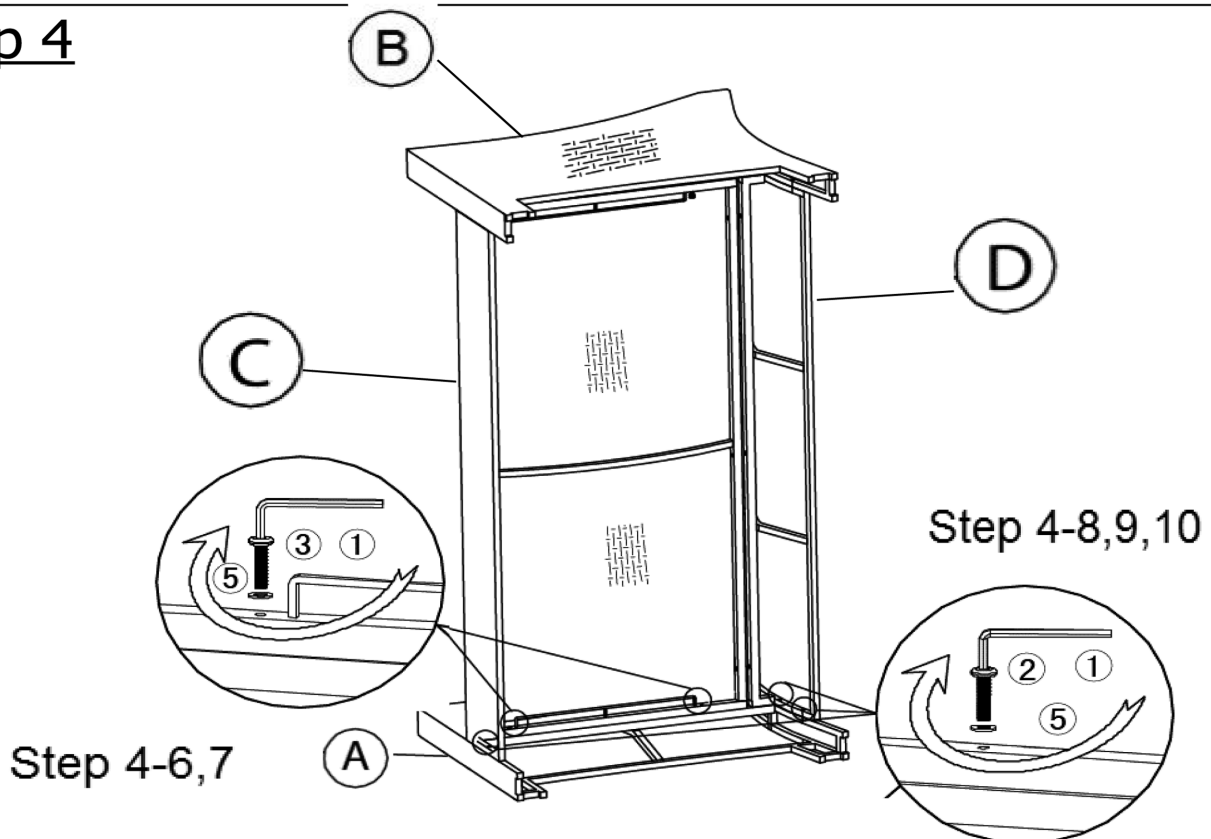
Place the Loveseat as shown in the picture above.

Align the mounting positions of the Left Armrest(B) onto the Chair Back(D).

Attach Left Armrest(B) and Chair Back(D) using Bolt(4) and Washer(5) with Allen Key (1).whilst applying upward pressure to Chair Back(D) per arrow shown to align assembly holes

Only loosely tighten the Bolts.

Step 4

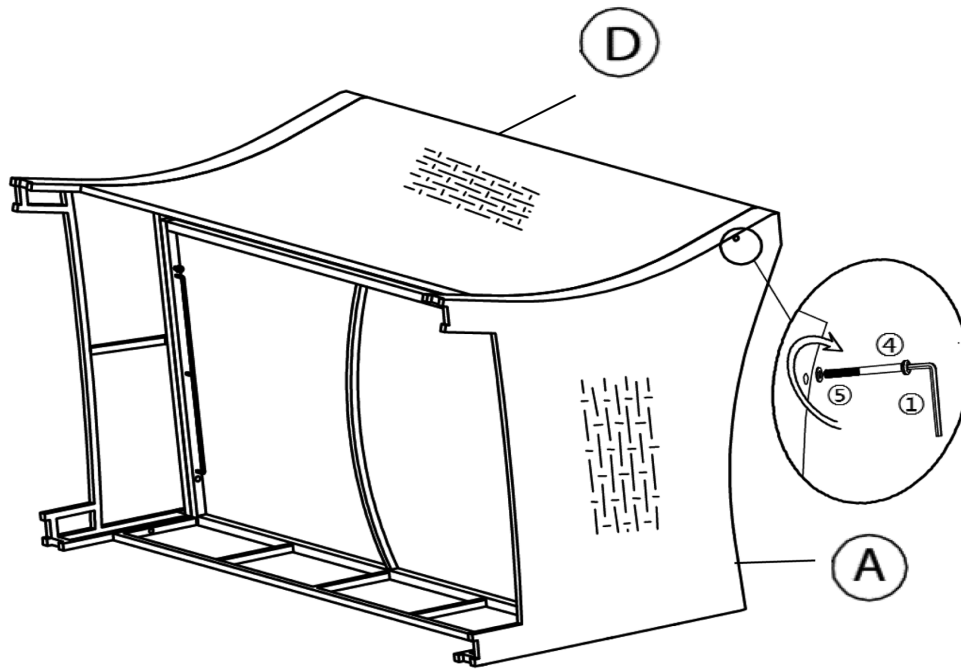


Step4-6,7) Attach Right Armrest(A) to the Chair Seat(C) and Chair Back(D) using Bolt(③) and Washer(⑤) with Allen Key(①).

Step4-8,9,10) Attach Right Armrest(A) to the Chair Seat(C) and Chair Back(D) using Bolt(②) and Washer(⑤) with Allen Key(①).

Only loosely tighten the Bolts.

Step 5



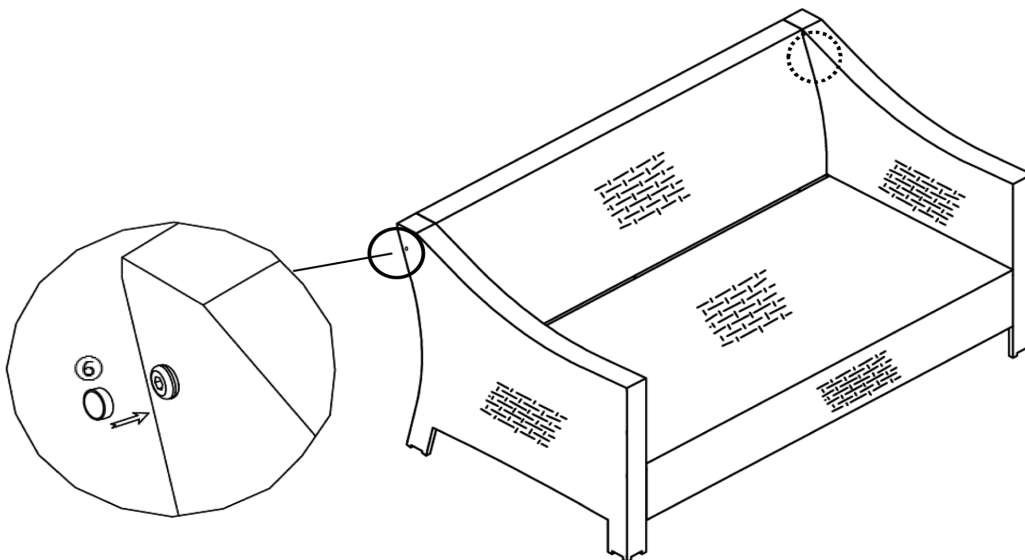
Place the Loveseat as shown in the picture above.

Align the mounting positions of the Right Armrest(A) onto the Chair Back(D).

Attach Right Armrest(A) and Chair Back(D) using Bolt(④) and Washer(⑤) with Allen Key(①).

Only loosely tighten the Bolts.

Step 6



Turn the Loveseat right side up.

Place the Loveseat on a LEVEL SURFACE.

Inspect it and make sure all parts are adequately connected.

Gently sit on the Loveseat.

This will help to align all parts at all joints.

Then carefully get off the Loveseat, and in a sequential manner, proceed to tighten all Bolts.

When tightening the Bolts, tighten sequentially.

DO NOT tighten any Bolt fully and then move on to the next one.

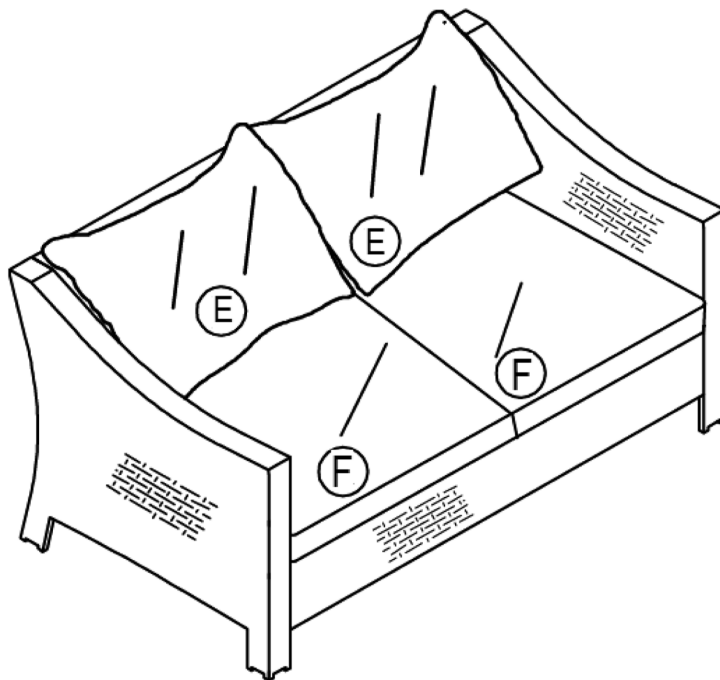
This may cause the frame to warp.

If there is still wobbles, loosen the bolts and execute this same process.

If the Loveseat is not stable it could lead to damage to the product.

Place PE Caps(⑥) on Bolts as shown.





















Step 7



Put the Seat Cushion(F) and Back Cushion(E) on the Loveseat.

Your Loveseat is ready for use.

Care & Maintenance

-   ● Do not put hot items directly on furniture surface
-   ● Do not clean furniture with harsh cleansers or polish.
-   ● To obtain the longest lifespan of your outdoor products, minimizing exposure to direct sunlight is recommended.
-   ● Children should not climb or jump on the furniture.
-   ● Do not write on furniture without a padded barrier to protect the surface.
-   ● To obtain the longest lifespan of your outdoor products, avoid extended and lengthy exposure to rain, snow, and direct sunshine. Whenever possible cover the product and /or place under patio or awnings.
-   ● Not for commercial use. For residential use only .
-   ● Stains may be removed with mild soap solution and damp cloth.
-   ● Keep away from sources of ignition.
-   ● Dust and pick-up spills using a clean, non-colored, lint-free cloth.

Questions & Answers about Proposition 65

• What is Proposition 65?

Proposition 65 requires businesses to provide warnings to Californians about significant exposures to chemicals that cause cancer, birth defects or other reproductive harm. These chemicals can be in the products that Californians purchase, in their homes or workplaces, or that are released into the environment. By requiring that this information be provided, Proposition 65 enables Californians to make informed decisions about their exposures to these chemicals.

Proposition 65 also prohibits California businesses from knowingly discharging significant amounts of listed chemicals into sources of drinking water.

Proposition 65 requires California to publish a list of chemicals known to cause cancer, birth defects or other reproductive harm. This list, which must be updated at least once a year, has grown to include approximately 900 chemicals since it was first published in 1987.

• What types of chemicals are on the Proposition 65 list?

The list contains a wide range of naturally occurring and synthetic chemicals that include additives or ingredients in pesticides, common household products, food, drugs, dyes, or solvents. Listed chemicals may also be used in manufacturing and construction, or they may be byproducts of chemical processes, such as motor vehicle exhaust.

• What does a warning mean?

If a warning is placed on a product label or posted or distributed at a workplace, a business, or in rental housing, the business issuing the warning is aware or believes that it is exposing individuals to one or more listed chemicals.

By law, a warning must be given for listed chemicals unless the exposure is low enough to pose no significant risk of cancer or is significantly below levels observed to cause birth defects or other reproductive harm.

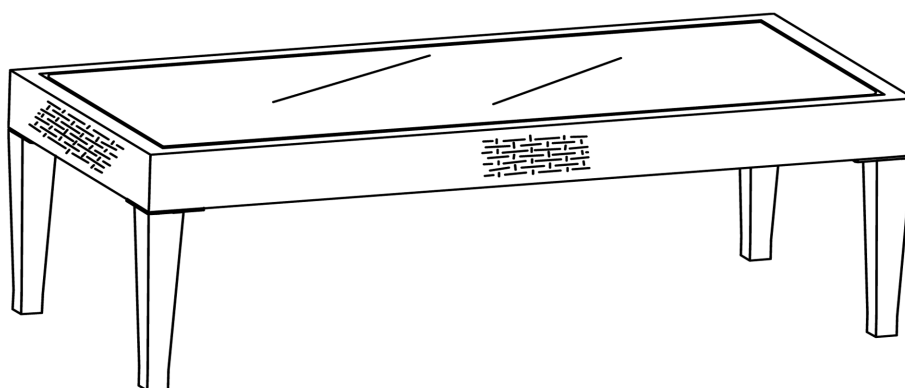
• Where can I get more information on Proposition 65?

If you have specific questions on the administration or implementation of Proposition 65, you can contact OEHHA's Proposition 65 program at P65.Questions@oehha.ca.gov, or by phone at (916) 445-6900.

Assembly Instructions

Caution: You must read this before you proceed.

Table



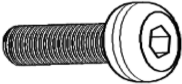


**CAUTION : This Table is NOT a TOY.
Keep your child / children at bay during the assembly process.**

Parts List

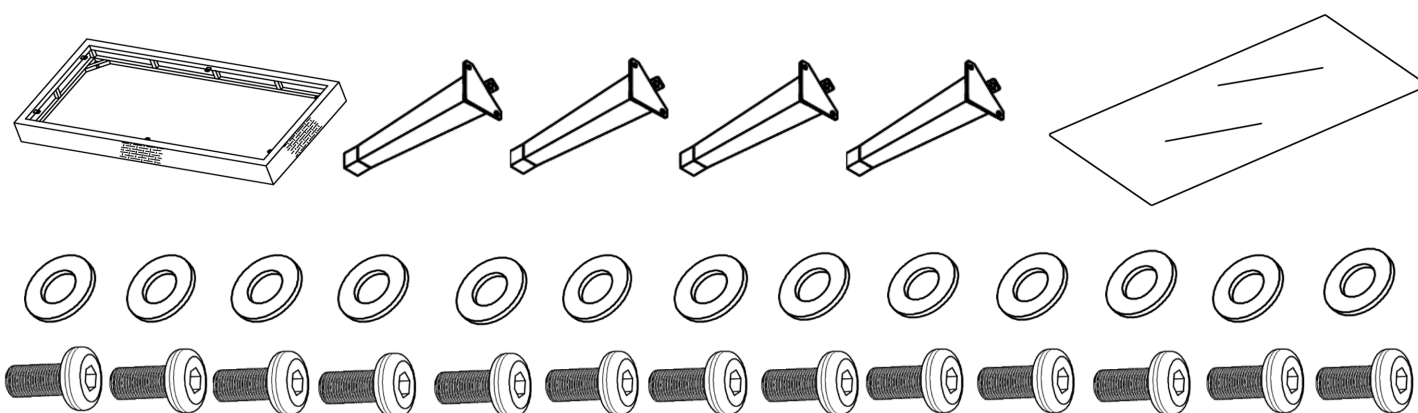
Label	Picture	Description	QTY
A		Table Top	1
B		Leg	4
C		Glass	1

Hardware

Label	Picture	Description	QTY
①		Allen Key	1
②		Washer	13
③		Bolt (M6*15mm)	13

Assembly Preparation

Before Beginning Assembly:



- Read instructions, cover to cover-



- Have 2 adults on hand for assembly-



- Do not assemble on flooring or carpet-



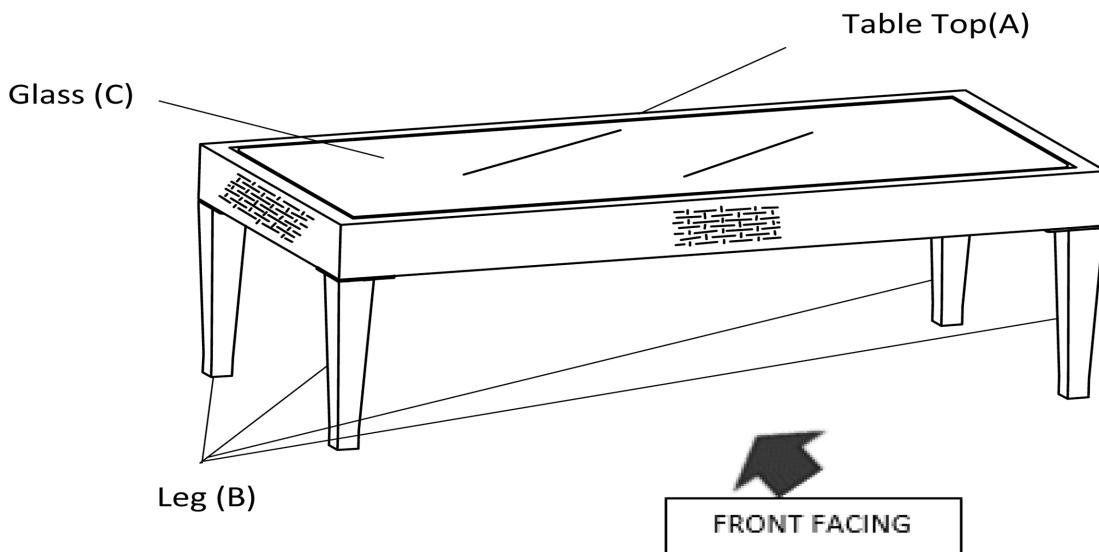
- Assemble on a clean non-marring surface (packing foam)-



- Save all packaging until finished-

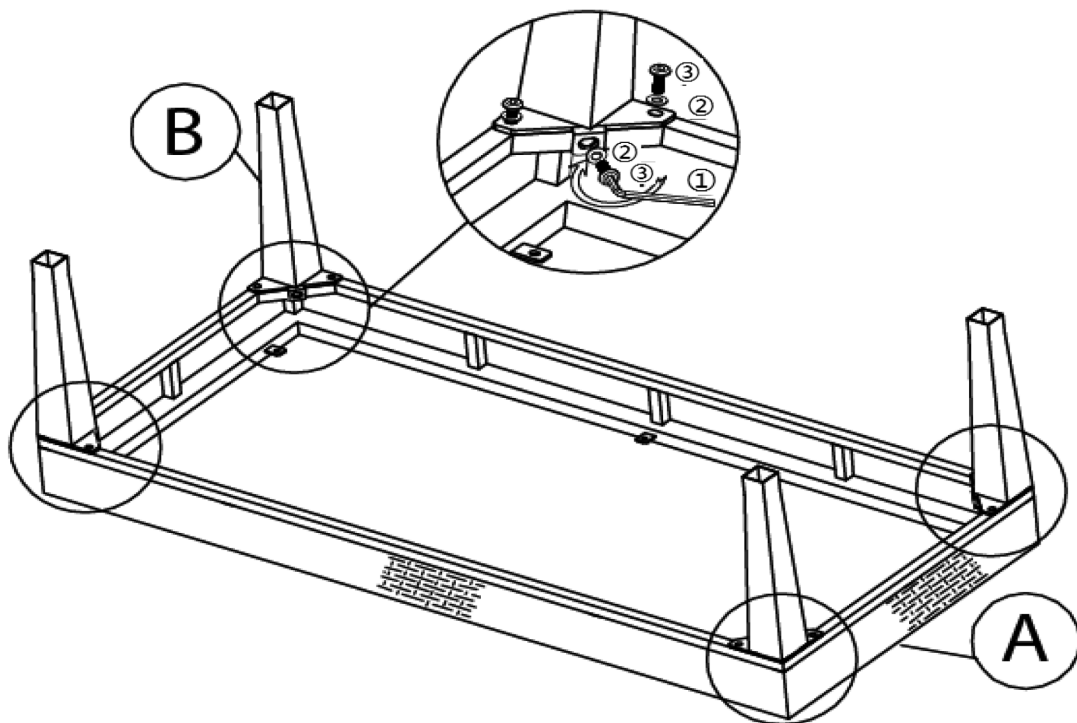
Assembly Steps

Overview



This Table has multiple parts and may require up to 30 minutes to assemble. To give you an overview of the Table parts, the above picture is to help you put the various parts into perspective. Please read through the instructions below to familiarise yourself with the parts and steps before assembly.

Step 1



Open the carton and place all parts onto a clean, non-marring surface.

It is recommended that you have a partner to assist with the assembly process.

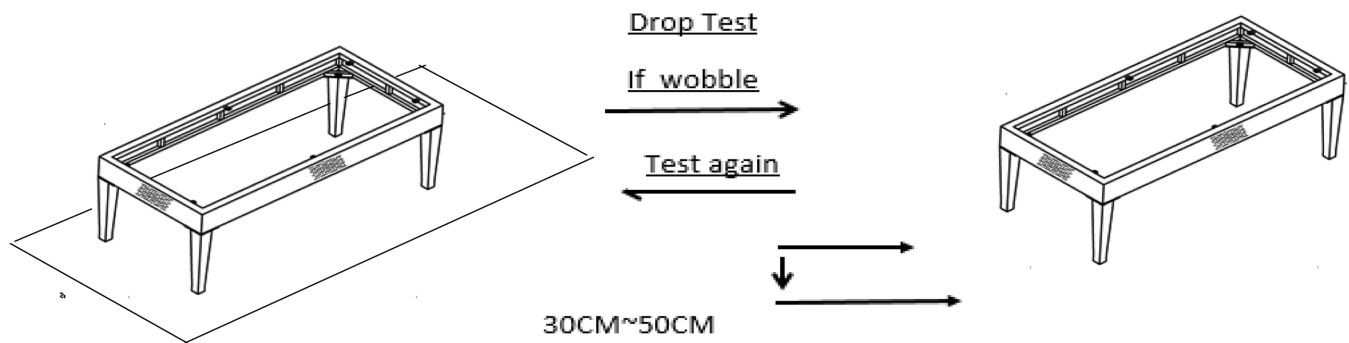
Turn the Table Top(A) face down on a clean, non-marring surface.

Attach Legs(B) to Table Top(A) using Bolts(③) and Washer(②) with Allen Key(①).

Repeat the same process to with the remaining Legs.

Only loosely tighten the Bolts.

Step 2



Turn this Table right way up. Place the table on a LEVEL SURFACE to Check for wobbles. wobbles.

If it wobbles, lift the table to some 20cm to 30cm height from the ground.

Keep your feet and toes well away from the drop zone.

Drop the table freely and vertically with all four legs, hitting the ground, all at the same time.

This Drop Test will help to ensure that all the Bolts and gaps all reach full alignment status.

Test again for evenness on a LEVEL SURFACE.

If no wobbles found, slowly and steadily, turn the table facedown.

Then, proceed to tighten all Bolts in a sequential manner.

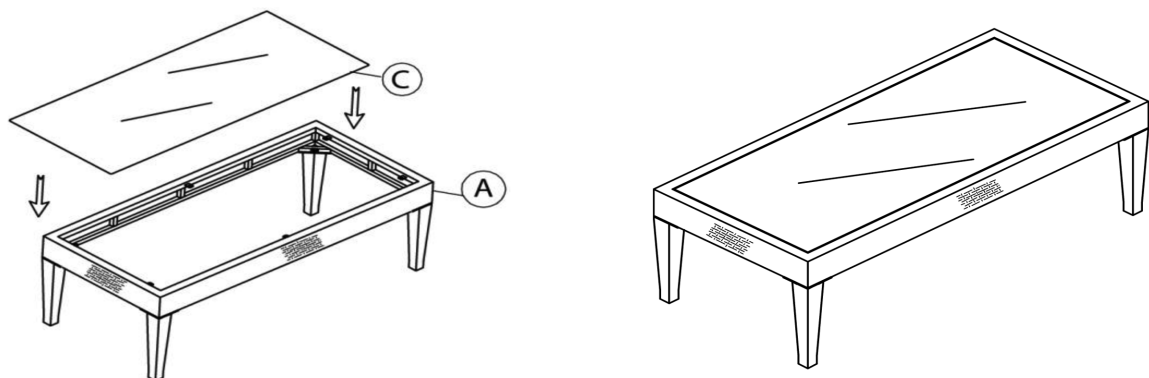
When tightening the Bolts, tighten sequentially.

DO NOT tighten any Bolt fully and then towards the next one.

This could cause the frame to warp. If there are still wobbles, loosen the Bolts and execute the same drop test.

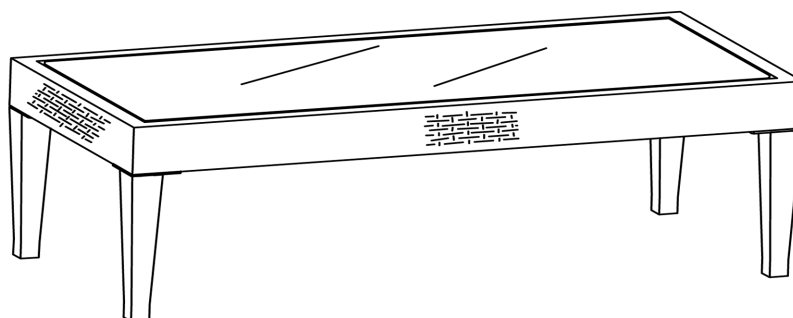
If the Table is not stable, it could lead to damage to the product.

Step 3



With the assistance of your adult partners, Carefully place the Glass(C) on the Table(A).
Do not place hands or fingers between the Glass and Table.



















Step 4





Your Table is ready for use.

This Table can only be used on a flat, level surface.

Care & Maintenance

-   ● Do not put hot items directly on furniture surface
-   ● Do not clean furniture with harsh cleansers or polish.
-   ● To obtain the longest lifespan of your outdoor products, minimizing exposure to direct sunlight is recommended.
-   ● Children should not climb or jump on the furniture.
-   ● Do not write on furniture without a padded barrier to protect the surface.
-   ● To obtain the longest lifespan of your outdoor products, avoid extended and lengthy exposure to rain, snow, and direct sunshine. Whenever possible cover the product and /or place under patio or awnings.
-   ● Not for commercial use. For residential use only .
-   ● Stains may be removed with mild soap solution and damp cloth.
-   ● Keep away from sources of ignition.

-   ● Dust and pick-up spills using a clean, non-colored, lint-free cloth.

Questions & Answers about Proposition 65

• What is Proposition 65?

Proposition 65 requires businesses to provide warnings to Californians about significant exposures to chemicals that cause cancer, birth defects or other reproductive harm. These chemicals can be in the products that Californians purchase, in their homes or workplaces, or that are released into the environment. By requiring that this information be provided, Proposition 65 enables Californians to make informed decisions about their exposures to these chemicals.

Proposition 65 also prohibits California businesses from knowingly discharging significant amounts of listed chemicals into sources of drinking water.

Proposition 65 requires California to publish a list of chemicals known to cause cancer, birth defects or other reproductive harm. This list, which must be updated at least once a year, has grown to include approximately 900 chemicals since it was first published in 1987.

• What types of chemicals are on the Proposition 65 list?

The list contains a wide range of naturally occurring and synthetic chemicals that include additives or ingredients in pesticides, common household products, food, drugs, dyes, or solvents. Listed chemicals may also be used in manufacturing and construction, or they may be byproducts of chemical processes, such as motor vehicle exhaust.

• What does a warning mean?

If a warning is placed on a product label or posted or distributed at a workplace, a business, or in rental housing, the business issuing the warning is aware or believes that it is exposing individuals to one or more listed chemicals.

By law, a warning must be given for listed chemicals unless the exposure is low enough to pose no significant risk of cancer or is significantly below levels observed to cause birth defects or other reproductive harm.

• Where can I get more information on Proposition 65?

If you have specific questions on the administration or implementation of Proposition 65, you can contact OEHHA's Proposition 65 program at P65.Questions@oehha.ca.gov, or by phone at (916) 445-6900.