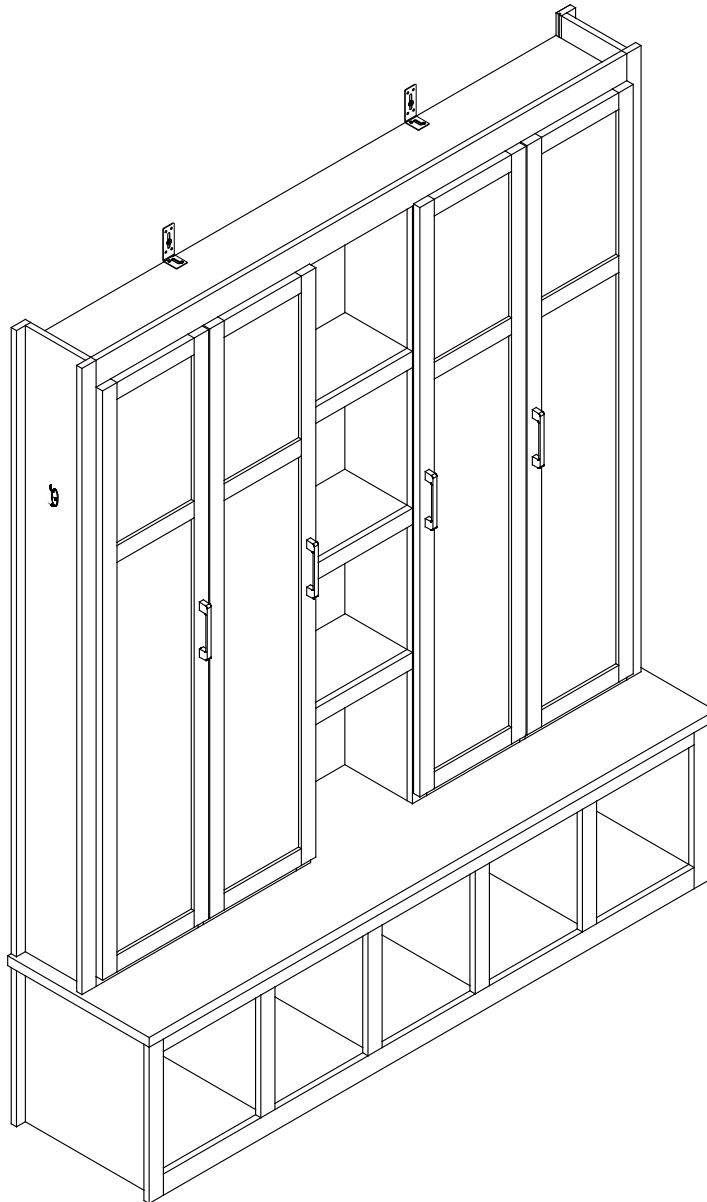


Hall Tree

Assembly Instructions - Please keep for future reference



Dimensions

Width- 63inch

Depth-15.75inch

Height-76.77inch



WARNING



This product is **NOT** a Clothing Storage Unit (CSU).

DO NOT use it for clothing storage. Improper use may cause furniture tipover.

Important – Please read these instructions fully before starting assembly



Safety and Care Advice

Important – Please read these instructions fully before starting assembly

- Check you have all the components and tools listed on the following pages.
- Remove all fittings from the plastic bags and separate them into their groups.
- Keep children and animals away from the work area, small parts could choke if swallowed.
- Make sure you have enough space to layout the parts before starting.

- During assembly do not stand or put weight on the product, this could cause damage.
- Assemble the item as close to its final position (in the same room) as possible.
- Assemble on a soft level surface to avoid damaging the unit or your floor.
- Parts of the assembly will be easier with 2 people.



power drill is set on a low torque setting.

- To reduce the likelihood of damaging your product please ensure that your

Care and maintenance

- Only clean using a damp cloth and mild detergent, do not use bleach or abrasive cleaners.
- From time to time check that there are no loose screws on this unit.
- This product should not be discarded with household waste. Take to your local authority waste disposal centre.

Handy Hints

- Assemble all parts and bolts loosely during assembly, only once the product is complete should you fully tighten the bolts
- Regularly check and ensure That all bolts and fittings are tightend properly.

WARNING
In order to help prevent overturning – please follow these instructions

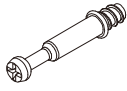

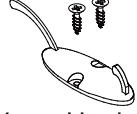

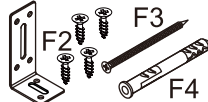
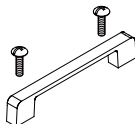

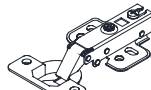



To help prevent product toppling over please follow the below steps:-

- Use the anti tip stap or wall fixing method provided (if applicable)
- Do not allow children to climb or hang on the furniture
- Do not open more than one drawer at a time
- Do not place heavy items in the top drawers
- Do not place heavy items on top of the furniture, unless the furniture has been designed for this purpose

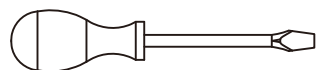
Components - Fittings

Please check you have all the panels listed below

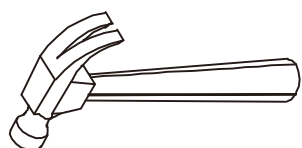
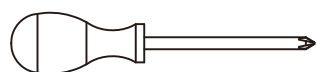
Note: The quantities below are the correct amount to complete the assembly. In some cases more fittings may be supplied than are required.

hardware pack 1 OF 3 1-3	hardware pack 2 OF 3 2-3	hardware pack 3 OF 3 3-3
 <p>(A) Cam Bolt x 144+2</p>	 <p>(B) 8*40mm Dowel x 75+2</p>	 <p>(D) 3.5*14mm Hook x 6set</p>
 <p>(C) Cam lock x 144+2</p>	 <p>(F) Anti-tipping device x2</p>	
 <p>(I) 4*18mm Handle x 4set</p>	 <p>(K) Perfect fit x 85</p>	
 <p>(H) 3.5*14mm Hinge x 12set</p>	 <p>(H) 3.5*14mm Screw x 88+2</p>	
	 <p>(G) 4*40mm Screw x 26+2</p>	
	 <p>(L) 7*50mm Screw x 4+1</p>	

Tools required Not Included



Phillips screwdriver
(medium & large)



Using Camlocks

Step 1

Connect the male camlock as directed in the assembly instructions using a screwdriver.

1

DO NOT OVER TIGHTEN.
NE PAS SERRER EXCESSIVEMENT.



Step 2

Push the male camlock into the entry hole.

2

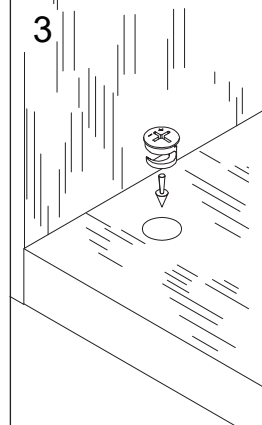


Step 3

Insert the female camlock as shown in the instruction.

Note: ensure that the arrow on the top of the camlock points towards the entry hole for the male camlock.

3



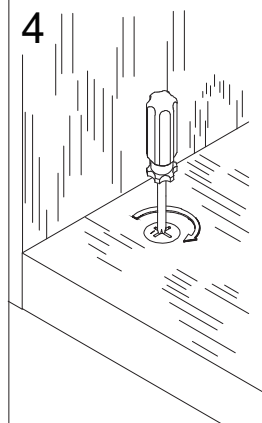
Step 4

Turn the female camlock clockwise with a screwdriver.

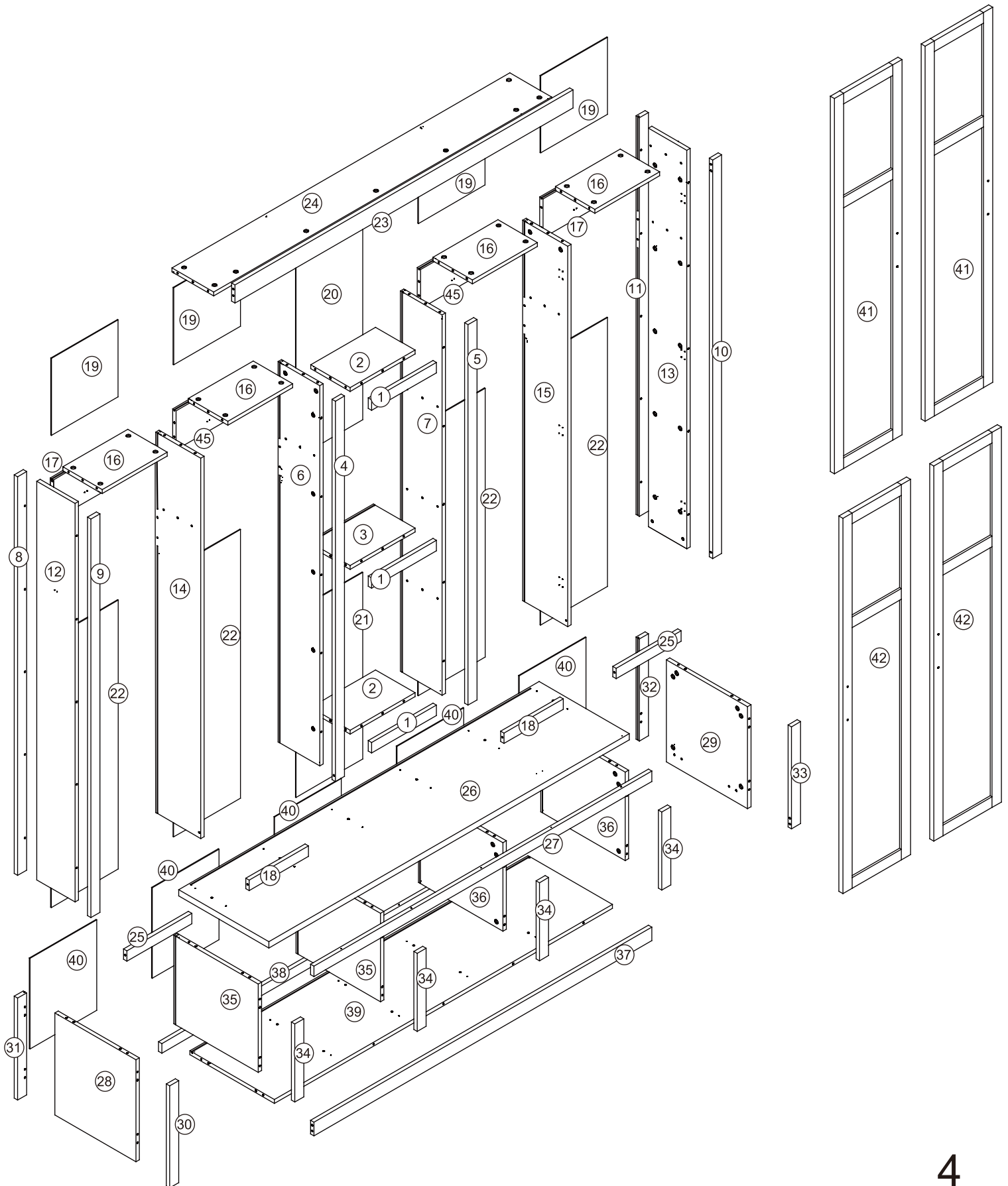
You should feel a click when the camlock is locked in place.

The joint is now secure.

4



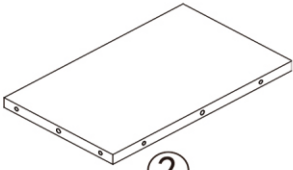










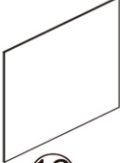




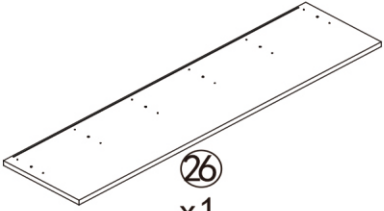
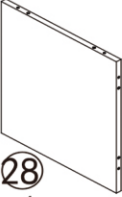
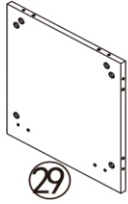




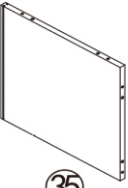
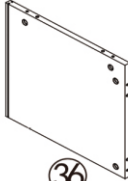
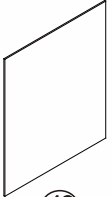
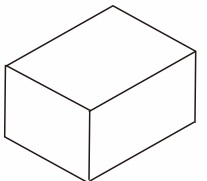
Assembly Instructions



PART LIST

This product comes in 2 box.

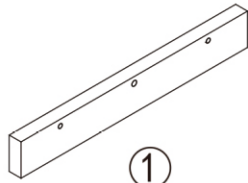
N721P384664K

 <p>② x2 288x175x15mm</p>	 <p>④ x1 1462x40x15mm</p>	 <p>⑤ x1 1462x40x15mm</p>	 <p>⑧ x1 1532x40x15mm</p>	 <p>⑨ x1 1532x40x15mm</p>	
 <p>⑩ x1 1532x40x15mm</p>	 <p>⑪ x1 1532x40x15mm</p>	 <p>⑫ x1 1532x170x15mm</p>	 <p>⑬ x1 1532x170x15mm</p>	 <p>⑮ x1 1462x200x15mm</p>	 <p>⑳ x1 392x40x15mm</p>
 <p>⑲ x4 296x296x3mm</p>	 <p>㉑ x1 720x296x3mm</p>	 <p>㉒ x1 747x296x3mm</p>	 <p>㉓ x4 1033x297x3mm</p>	 <p>㉔ x2 285x40x15mm</p>	
 <p>㉕ x1 1600x400x24mm</p>	 <p>㉖ x1 392x360x15mm</p>	 <p>㉗ x1 392x360x15mm</p>	 <p>㉘ x1 392x40x15mm</p>	 <p>㉙ x1 392x40x15mm</p>	
 <p>㉚ x1 392x40x15mm</p>	 <p>㉛ x4 300x40x15mm</p>	 <p>㉜ x2 375x340x15mm</p>	 <p>㉝ x2 375x340x15mm</p>	 <p>㉞ x5 348x296x3mm</p>	 <p>㉟ x3 Hardware kit</p>

PART LIST

This product comes in 2 box.

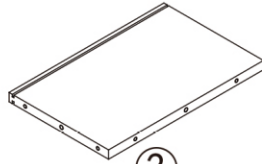
N721P384665K



①

x3

288x40x15mm



③

x1

288x185x15mm



⑥

x1

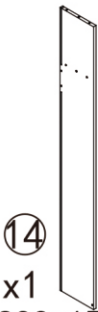
1462x185x15mm



⑦

x1

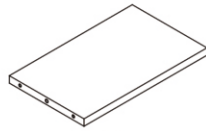
462x185x15mm



⑭

x1

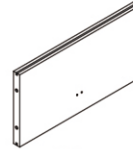
1462x200x15mm



⑯

x4

288x175x15mm



⑰

x2

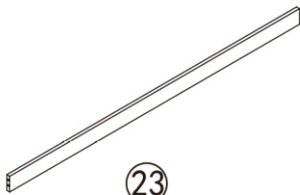
288x150x15mm



⑱

x2

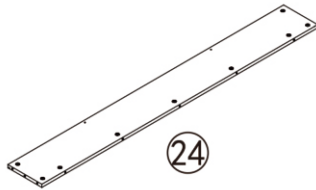
263x40x15mm



⑳

x1

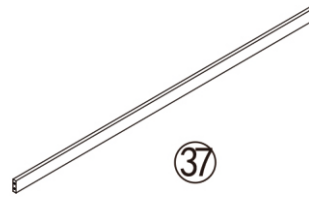
1500x70x15mm



㉔

x1

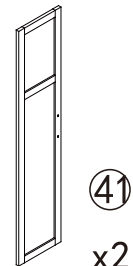
1500x185x15mm



㉟

x1

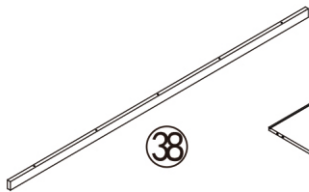
1500x52x15mm



㉑

x2

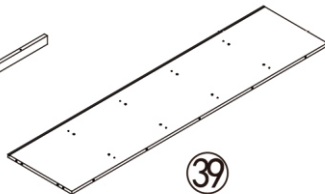
1442x300x18mm



㉟

x1

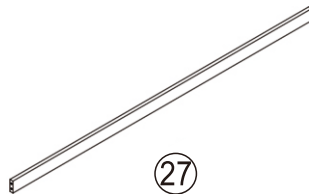
1500x37x15mm



㉑

x1

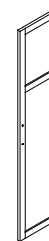
1500x375x15mm



㉑

x1

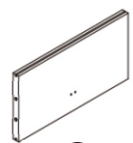
1500x40x15mm



㉒

x2

1442x300x18mm



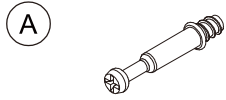
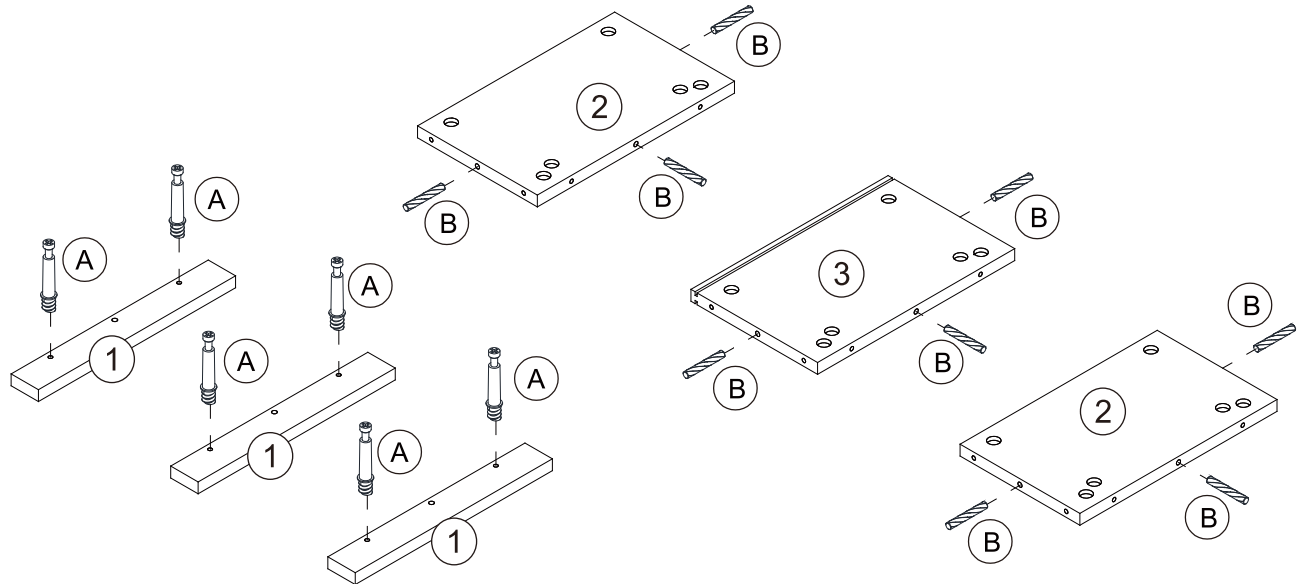
㉓

x2

288x150x15mm

Assembly Instructions

Step 1

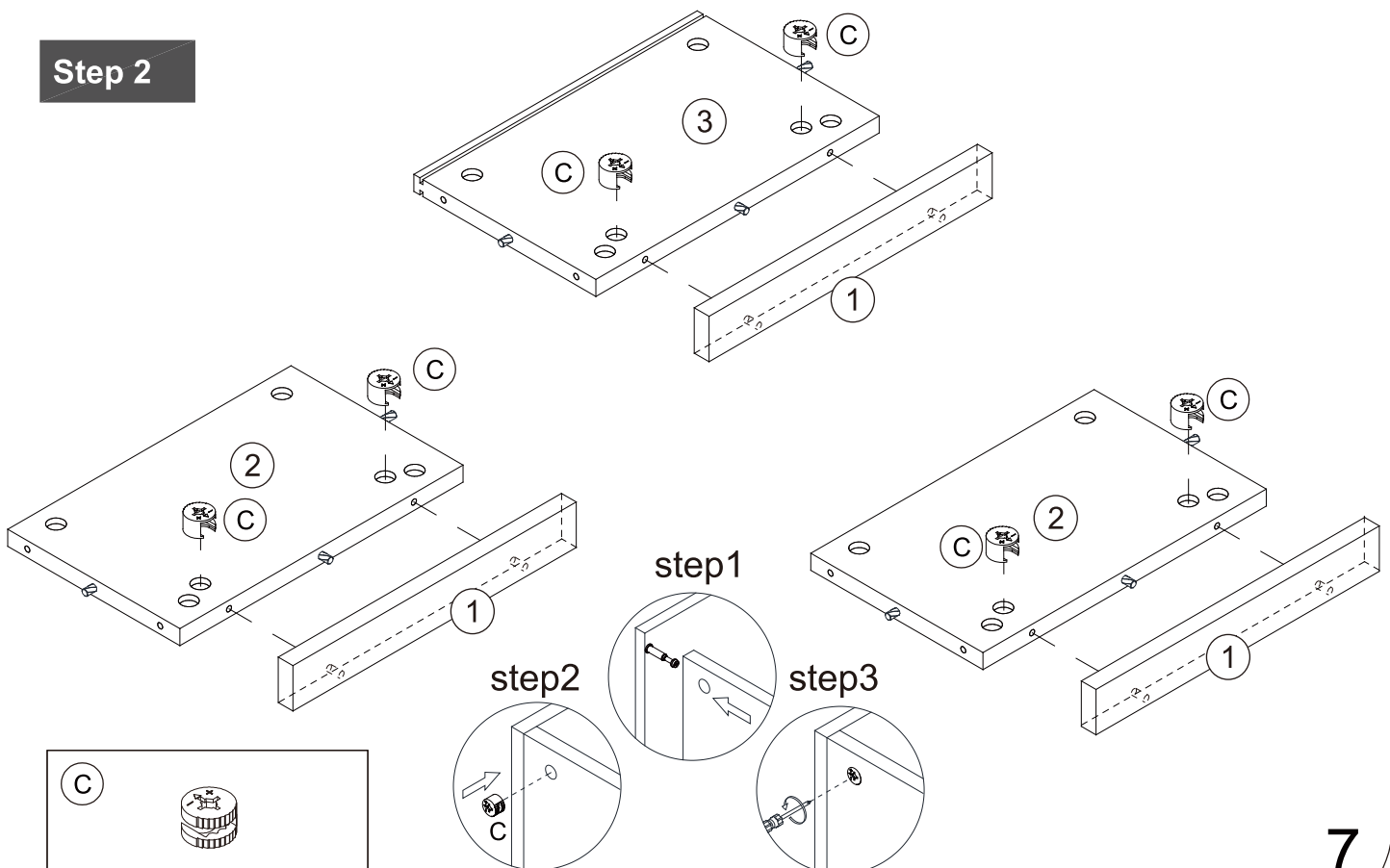


Cam Bolt x 6



8*40mm Dowel x 9

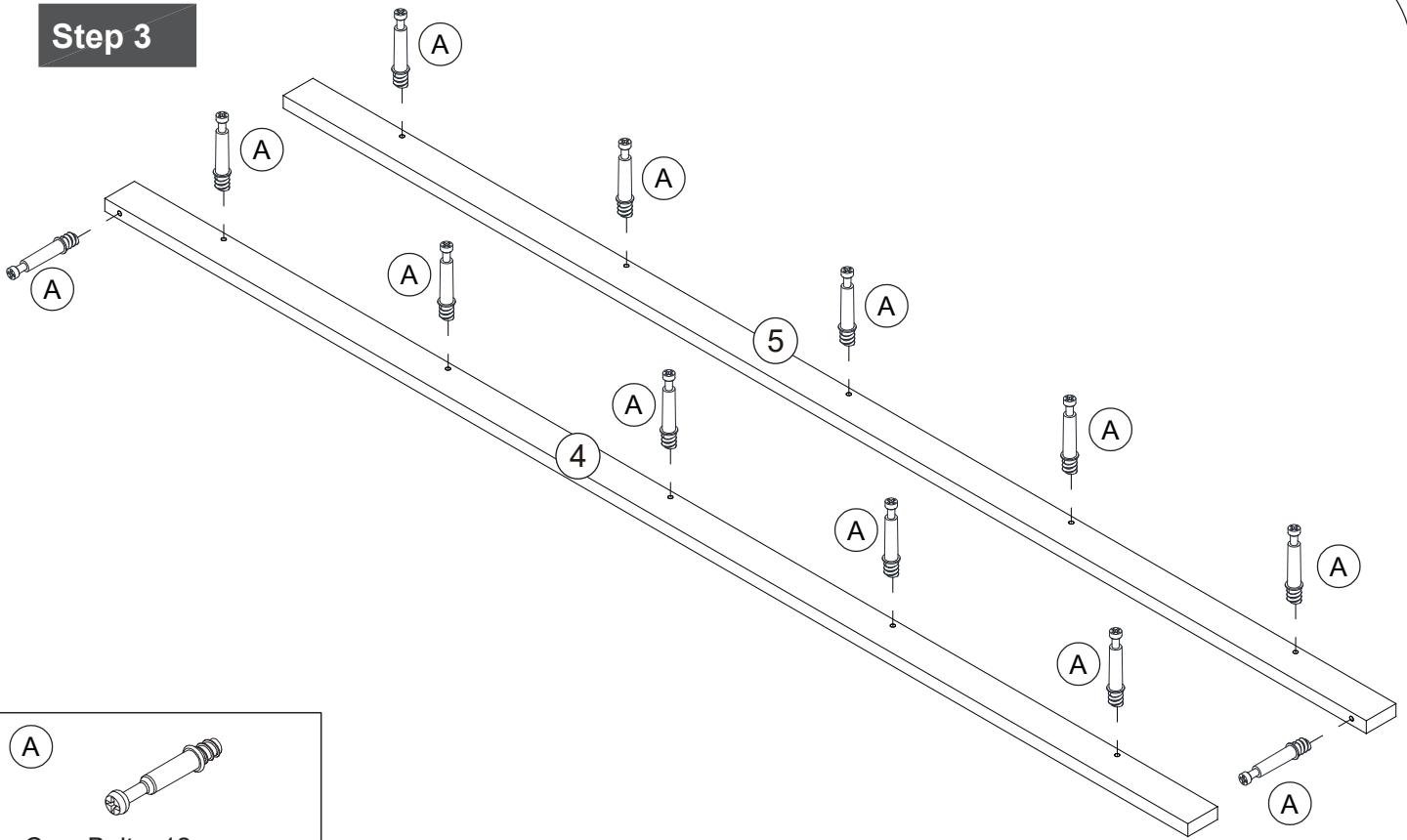
Step 2



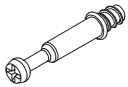
Cam lock x 6

Assembly Instructions

Step 3

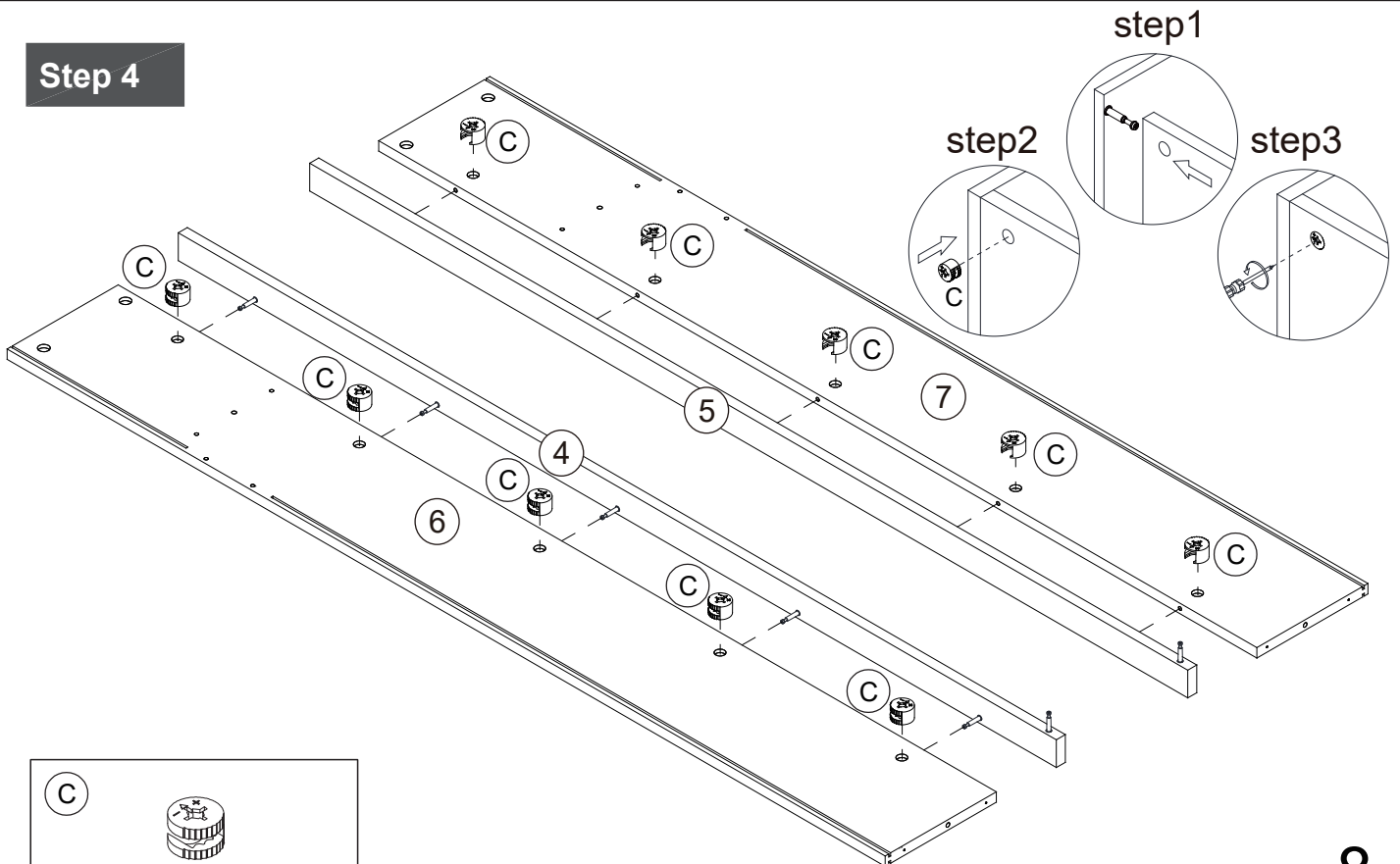


A



Cam Bolt x 12

Step 4



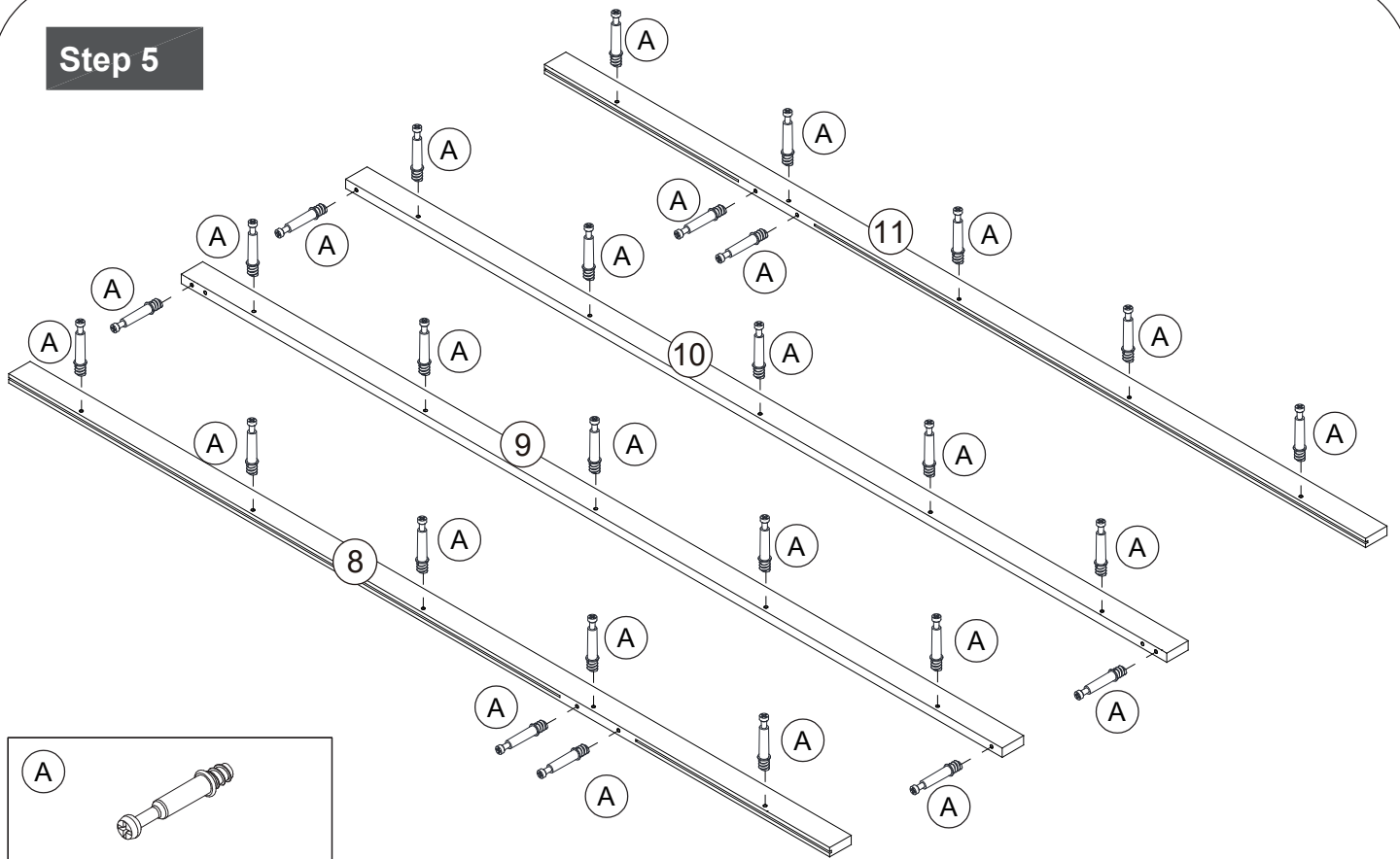
C



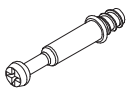
Cam lock x 10

Assembly Instructions

Step 5

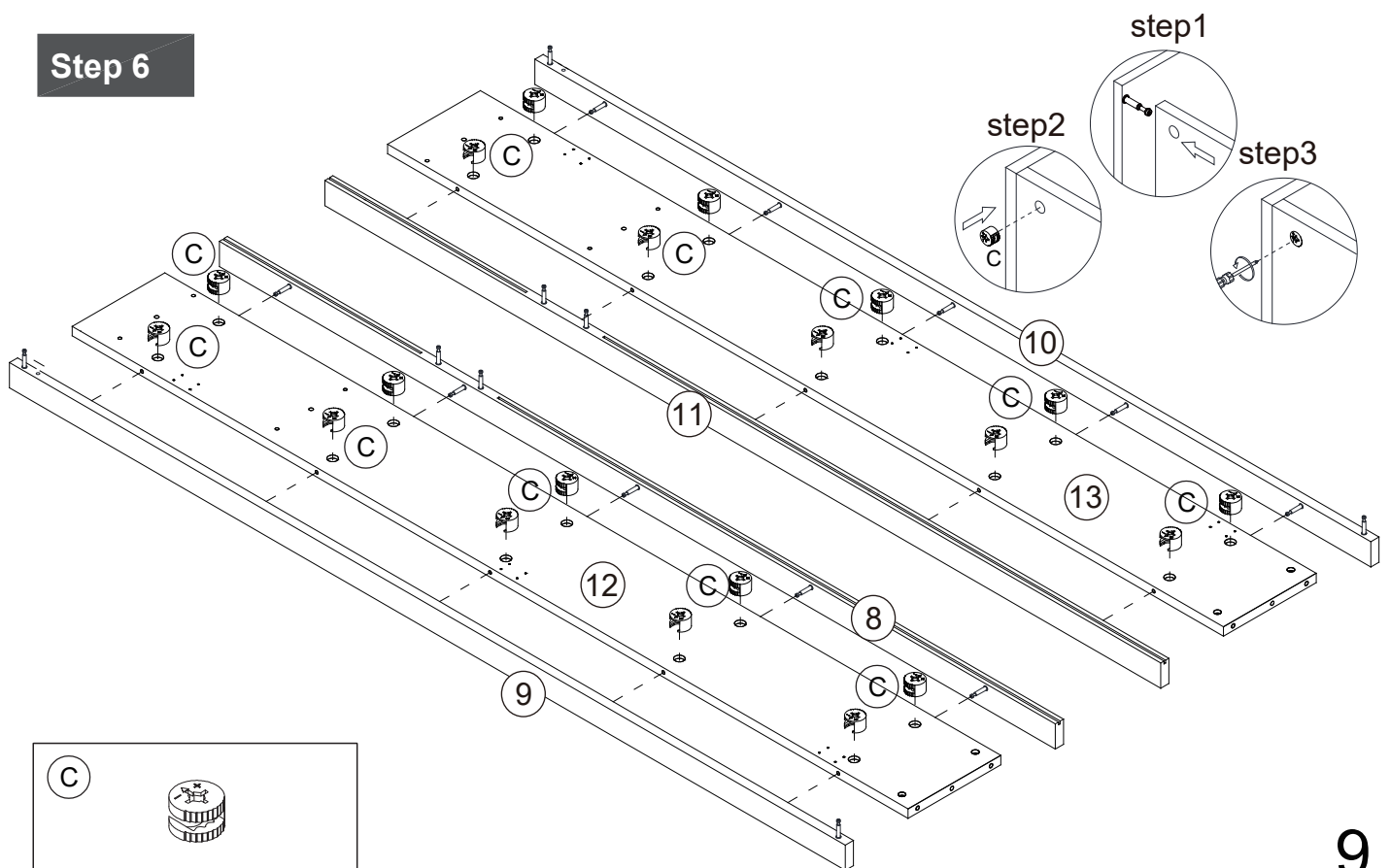


A



Cam Bolt x 28

Step 6



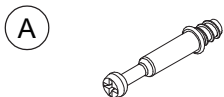
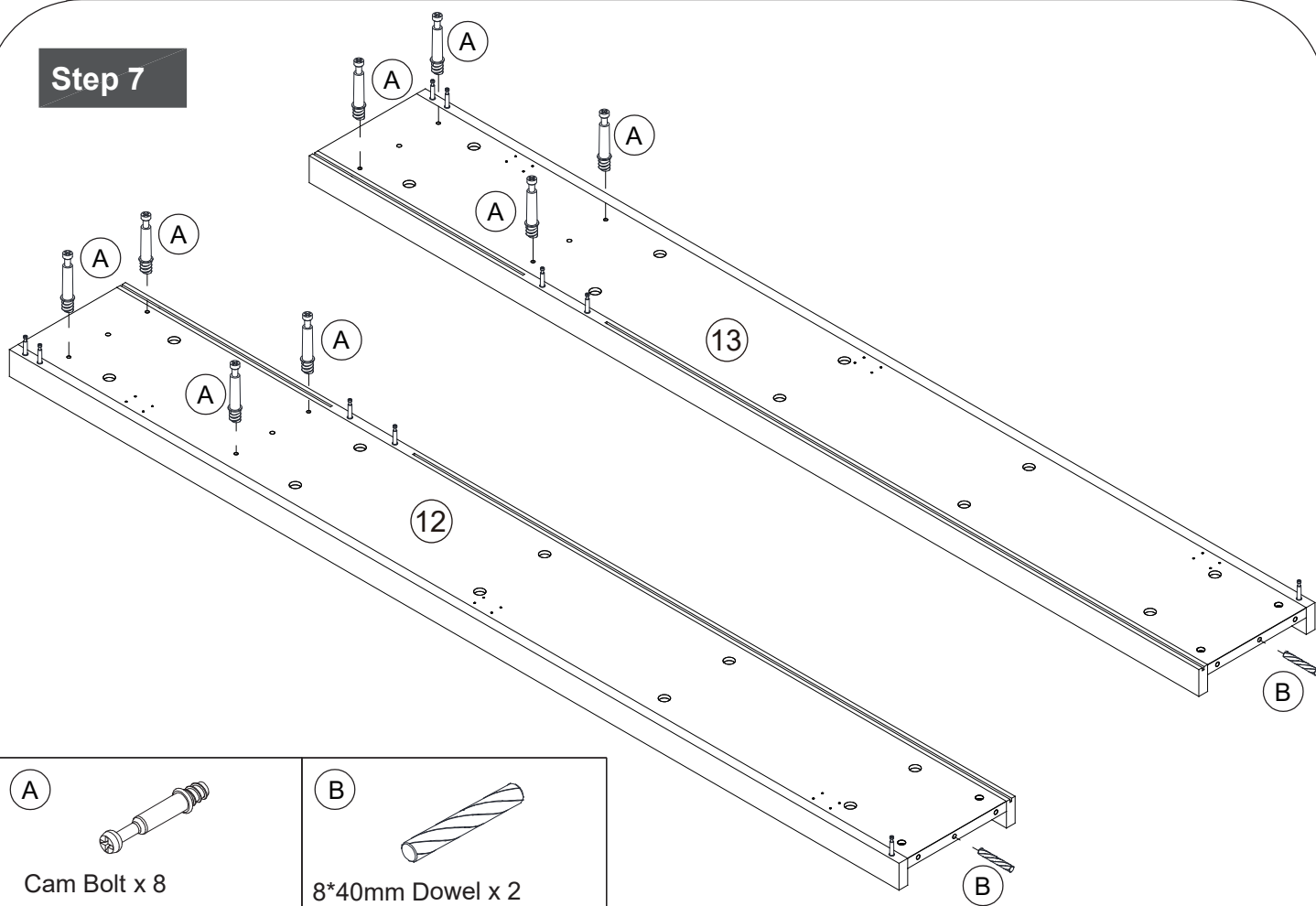
C



Cam lock x 20

Assembly Instructions

Step 7

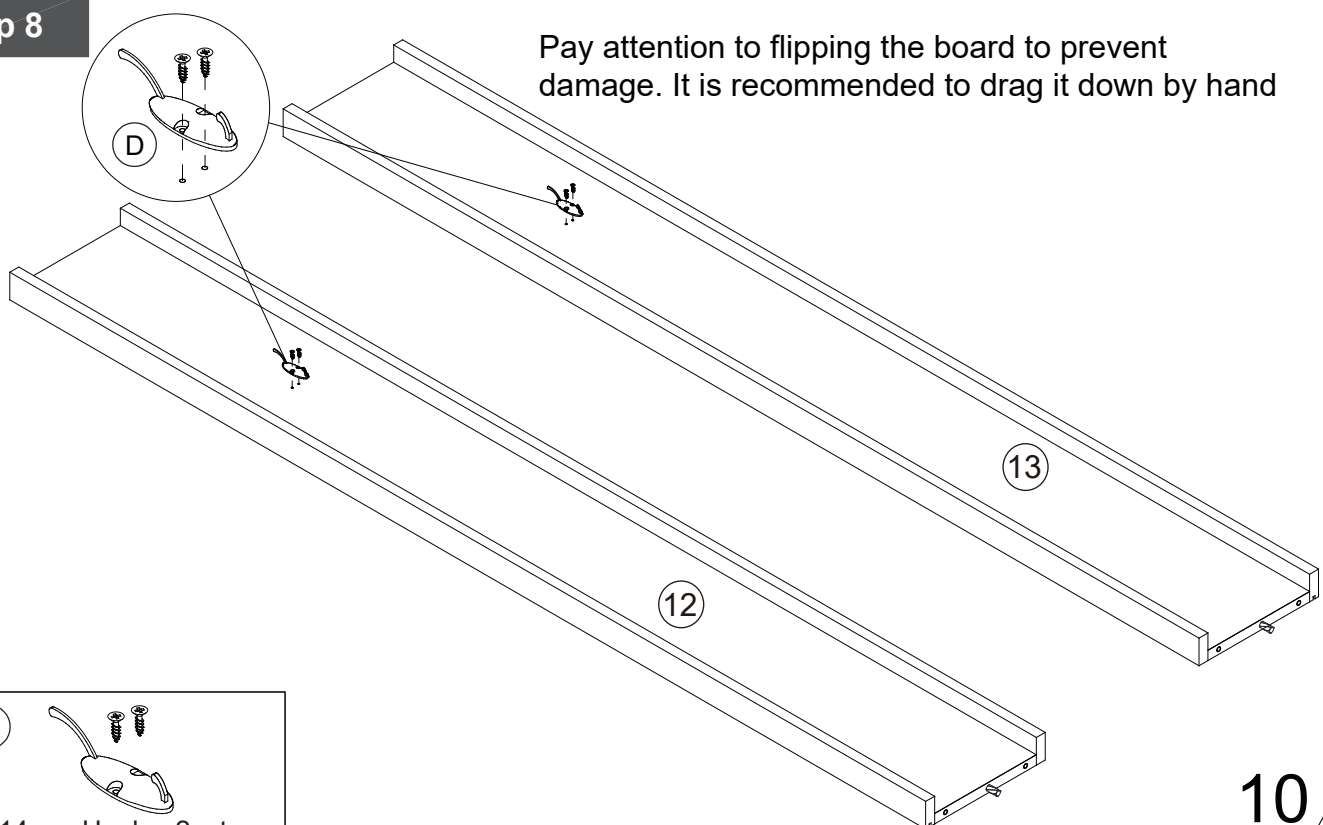


Cam Bolt x 8

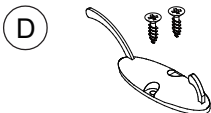
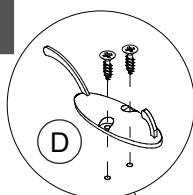


8*40mm Dowel x 2

Step 8



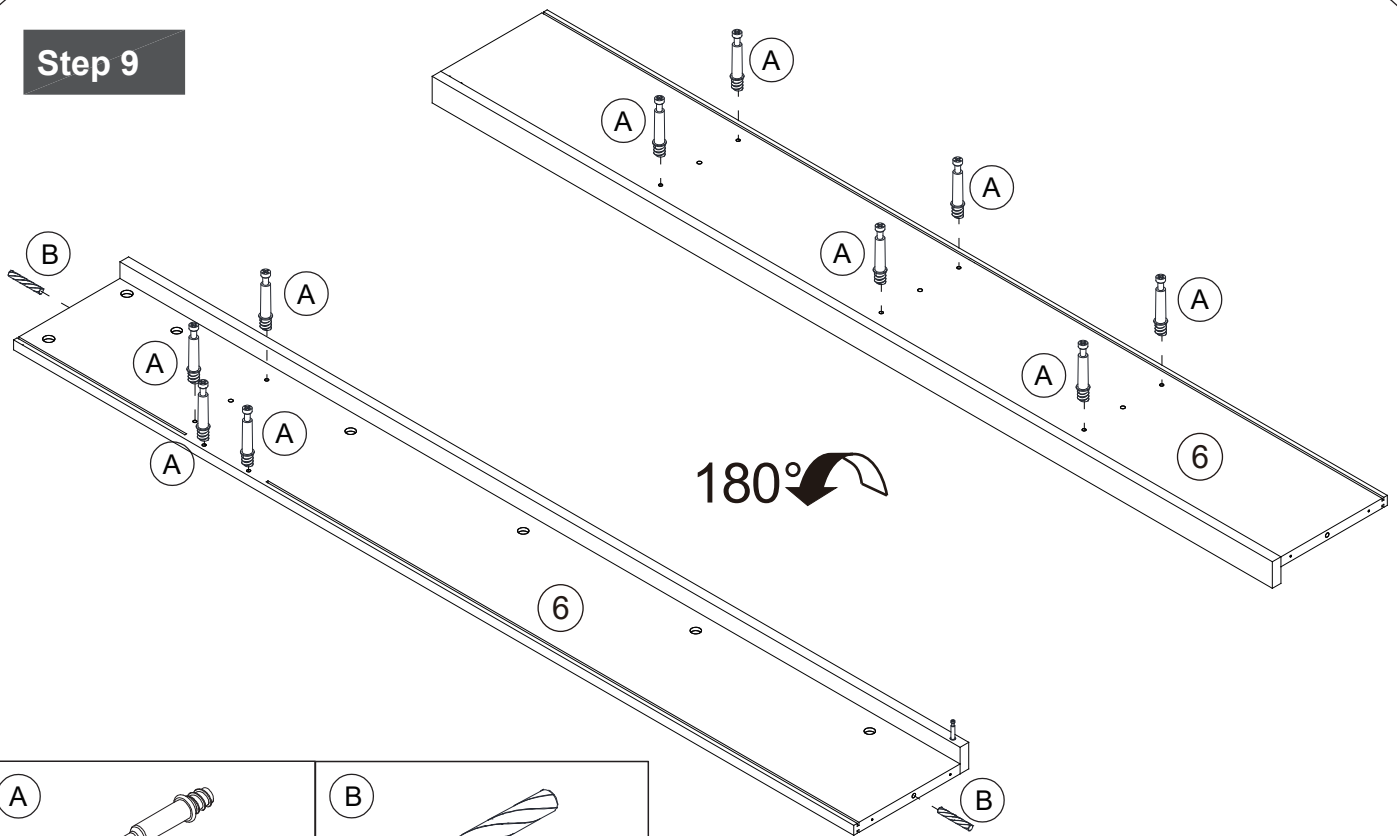
Pay attention to flipping the board to prevent damage. It is recommended to drag it down by hand



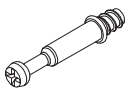
3*14mm Hook x 2set

Assembly Instructions

Step 9

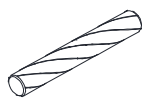


A



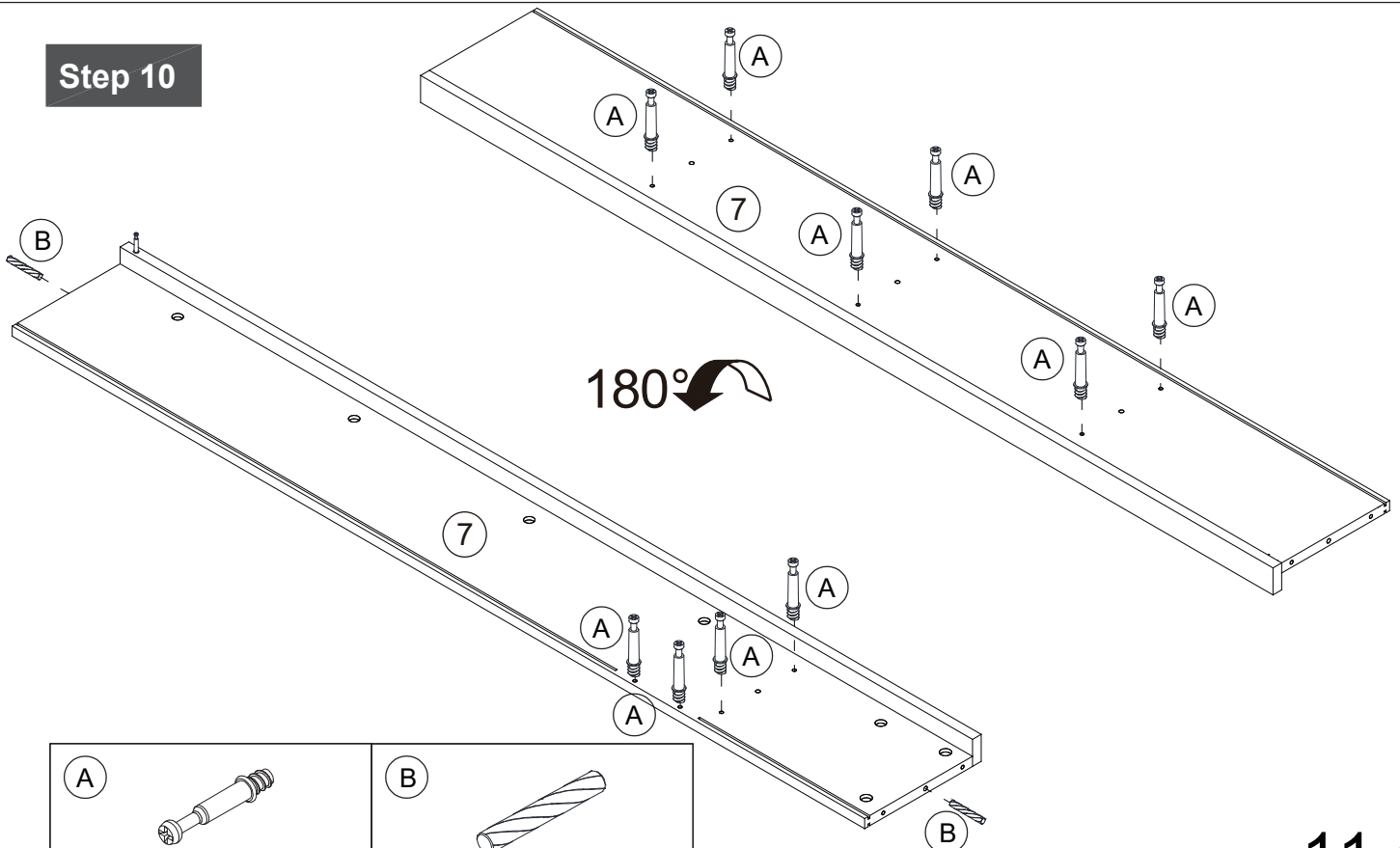
Cam Bolt x 10

B

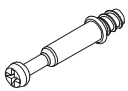


8*40mm Dowel x 2

Step 10



A



Cam Bolt x 10

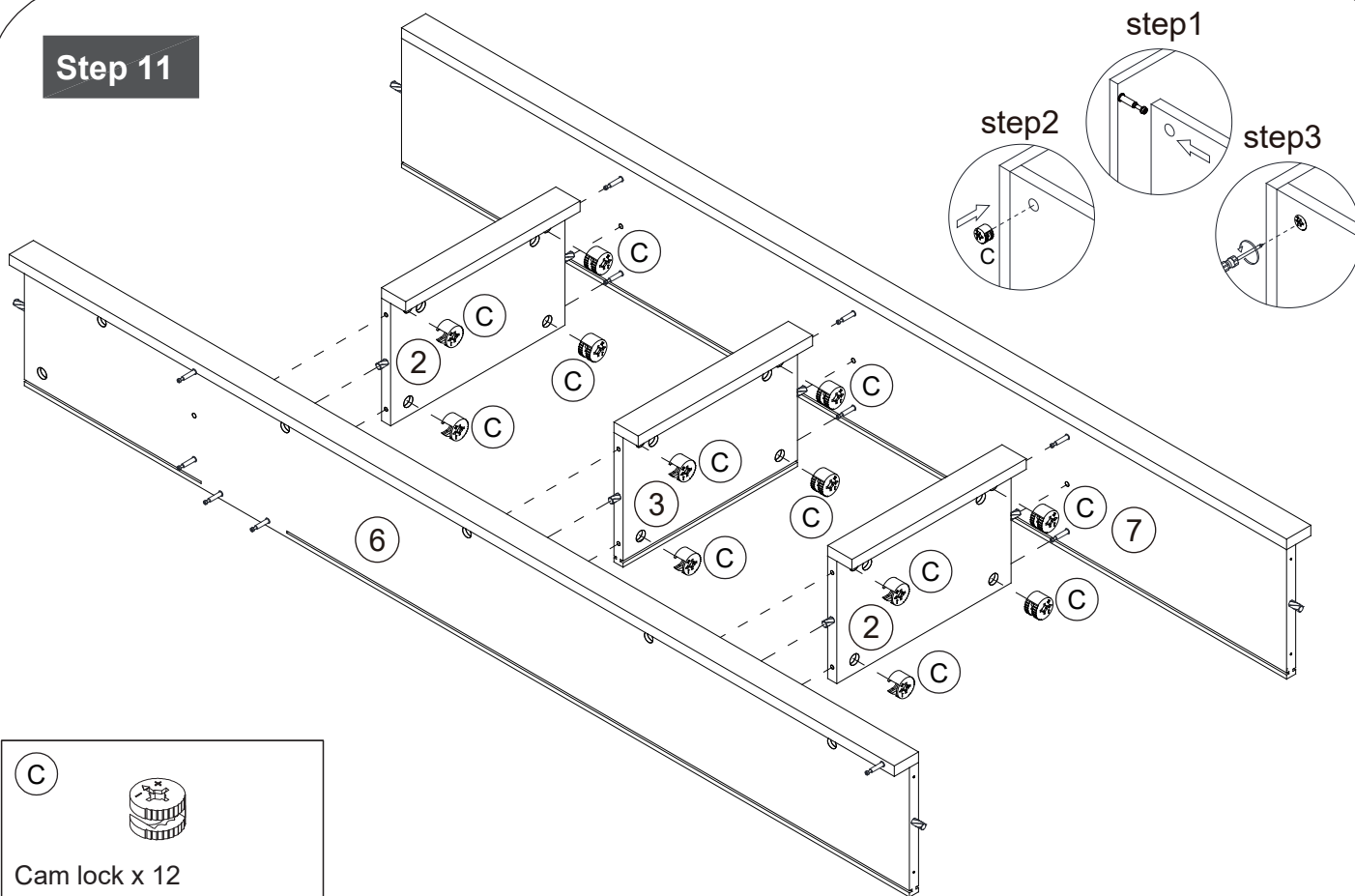
B



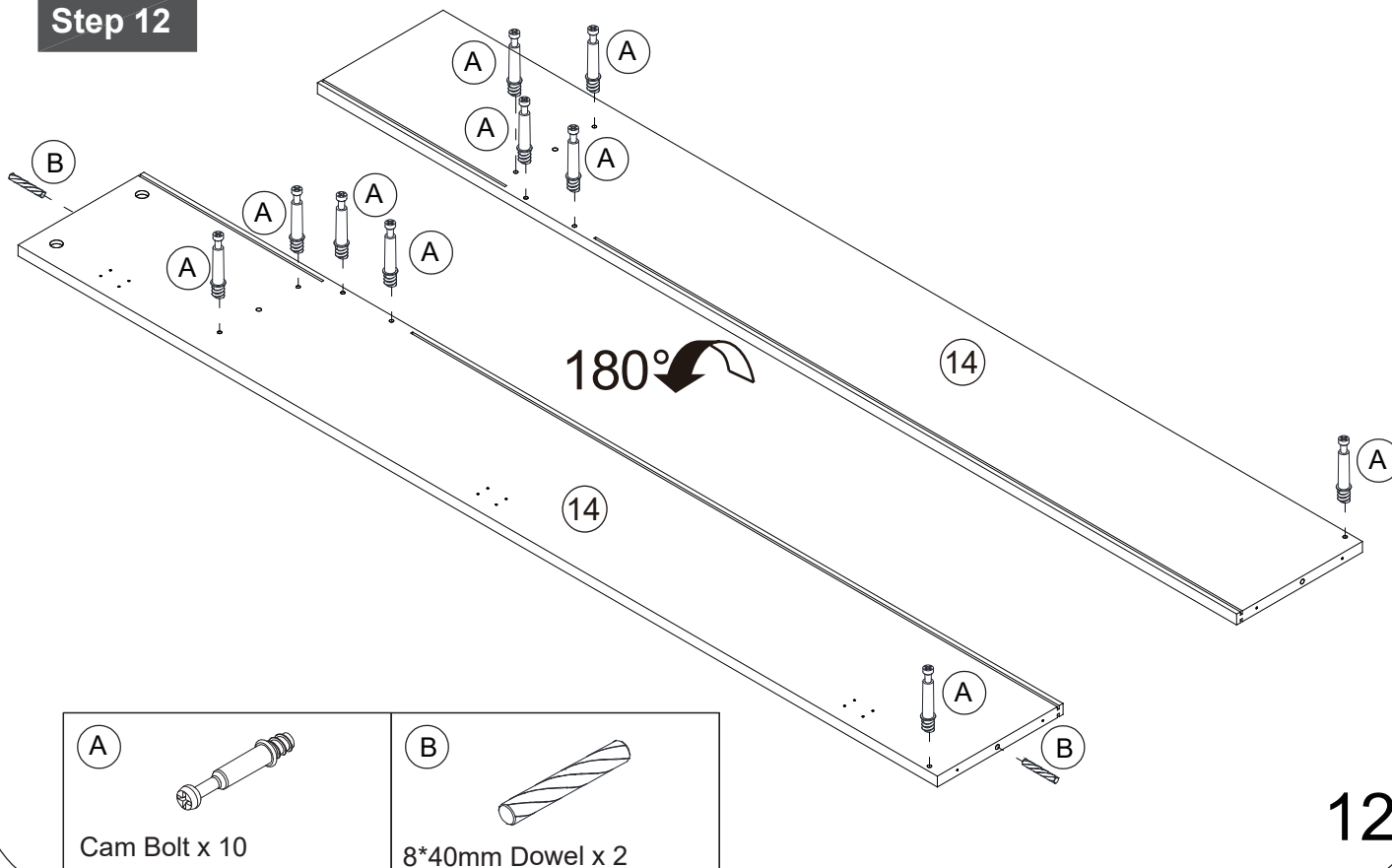
8*40mm Dowel x 2

Assembly Instructions

Step 11

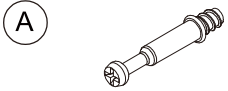
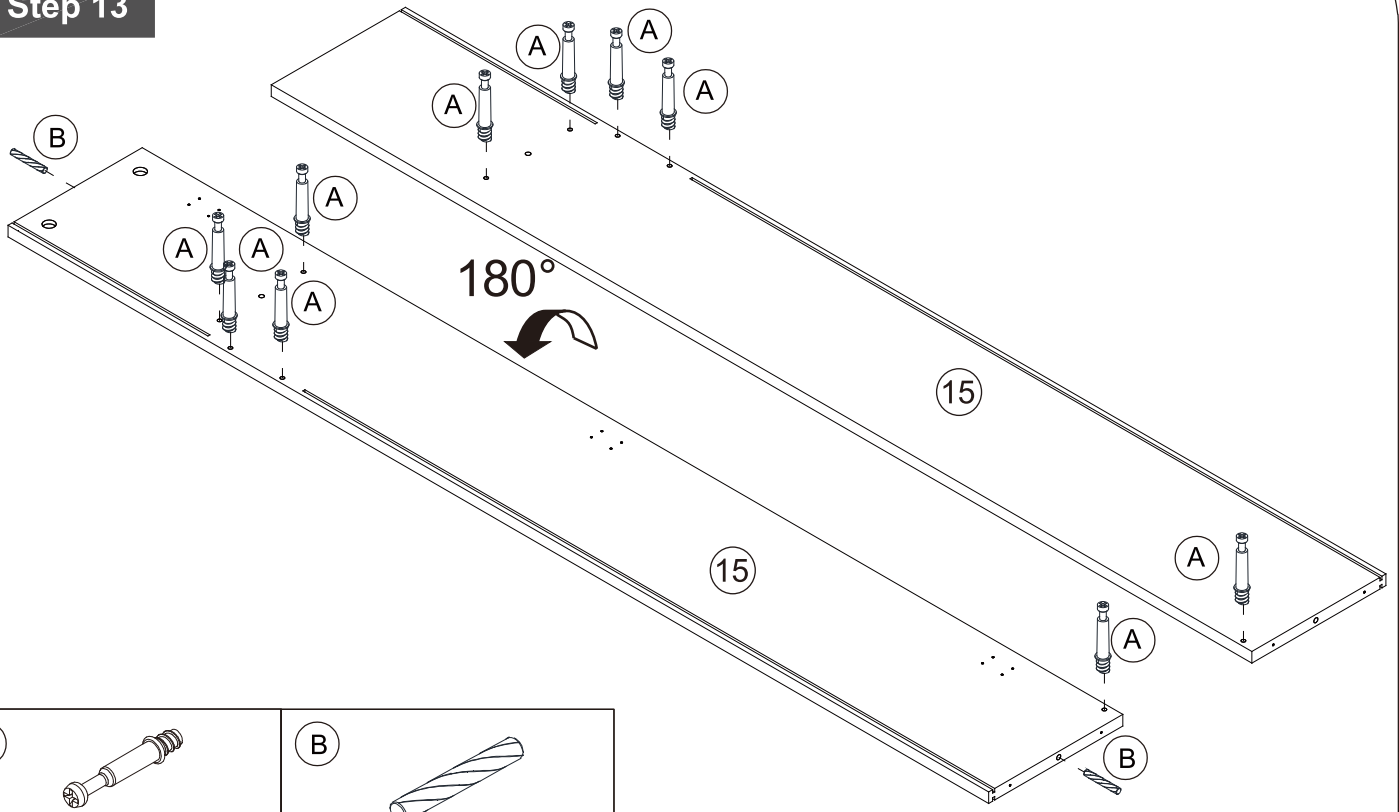


Step 12

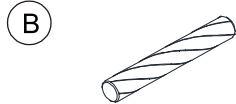


Assembly Instructions

Step 13

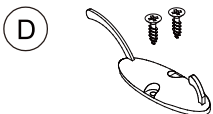
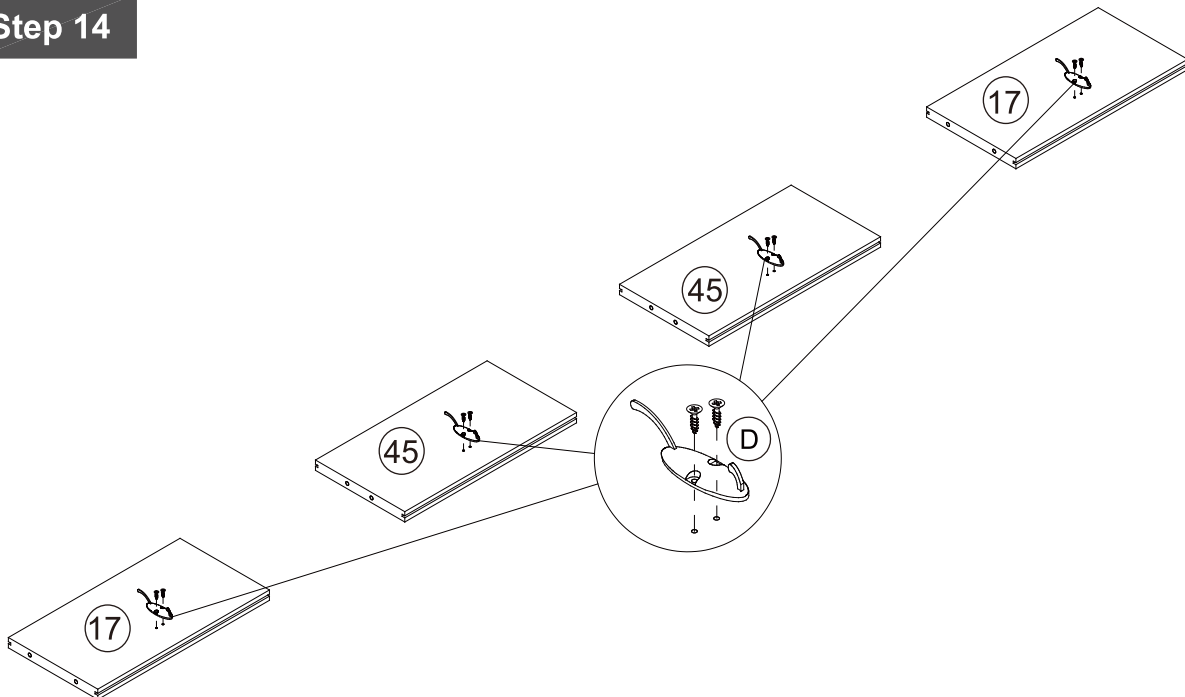


Cam Bolt x 10



8*40mm Dowel x 2

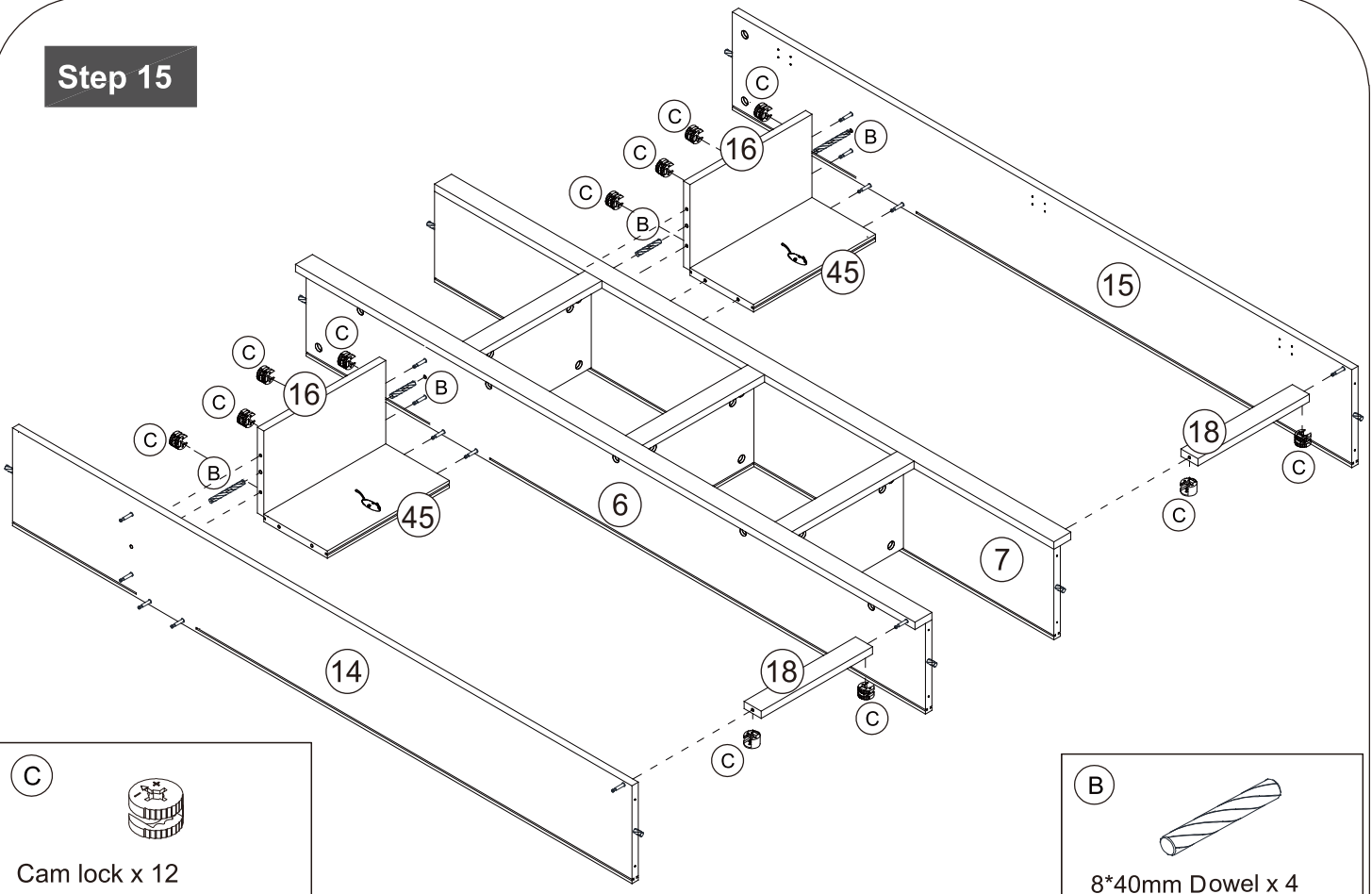
Step 14



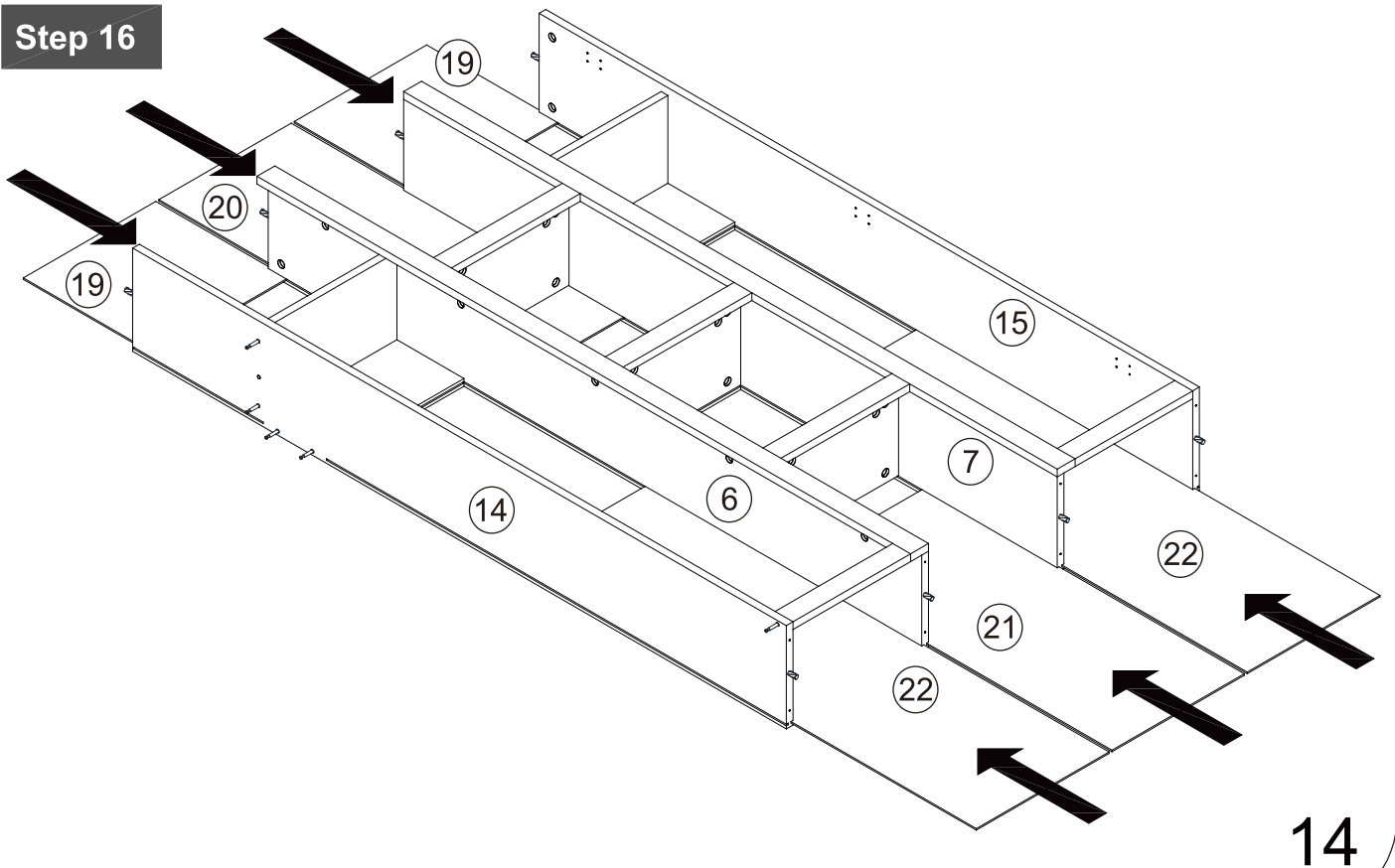
3.5*14mm Hook x 4set

Assembly Instructions

Step 15

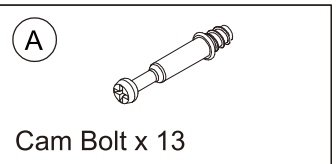
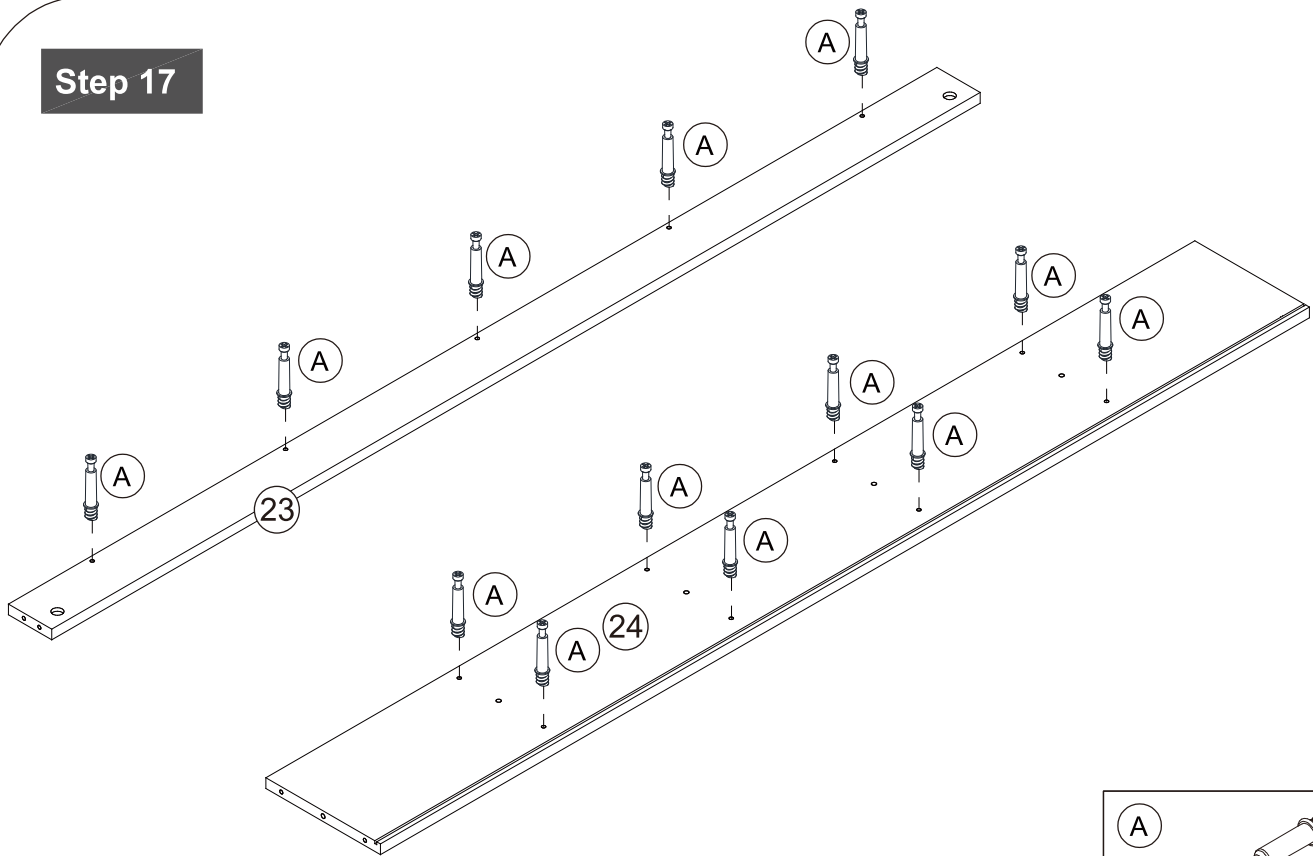


Step 16

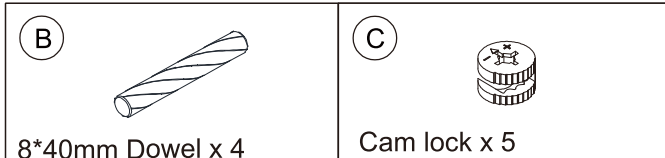
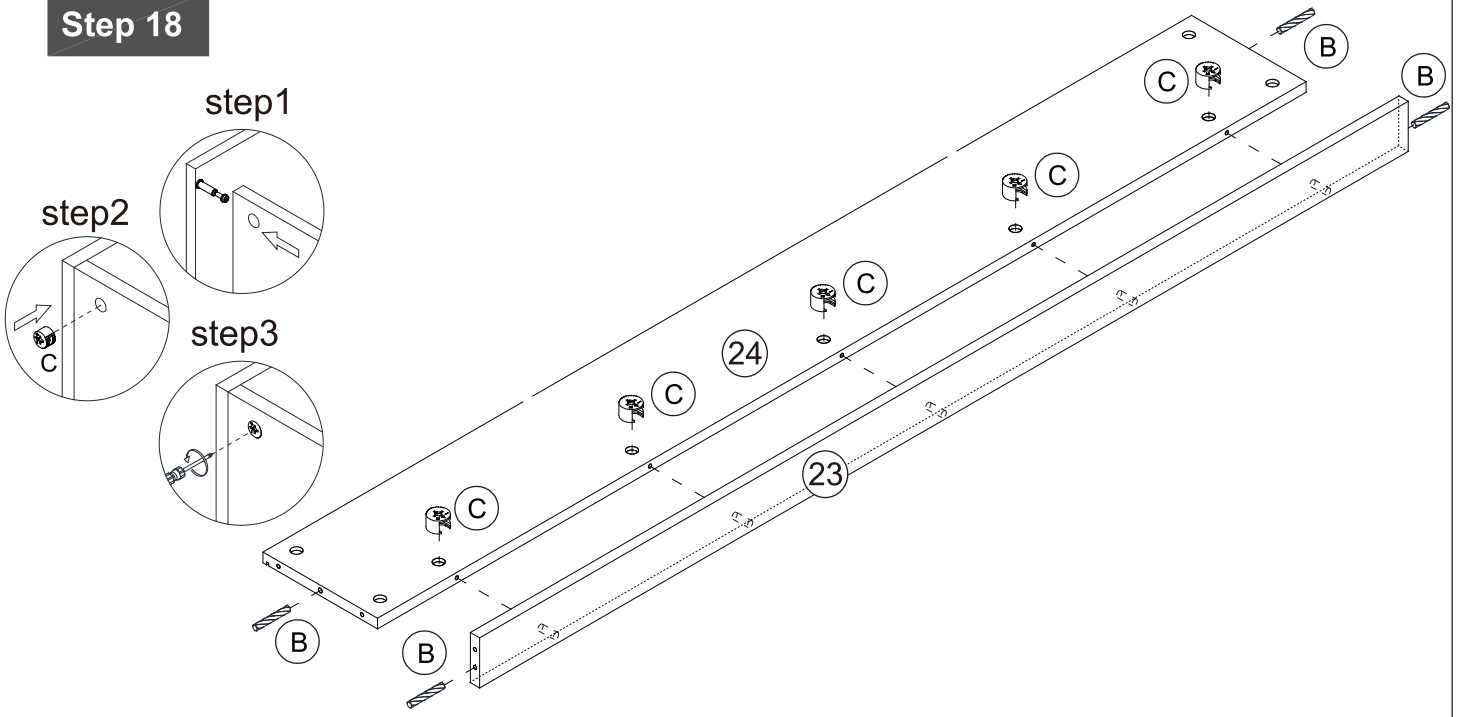


Assembly Instructions

Step 17

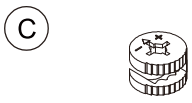
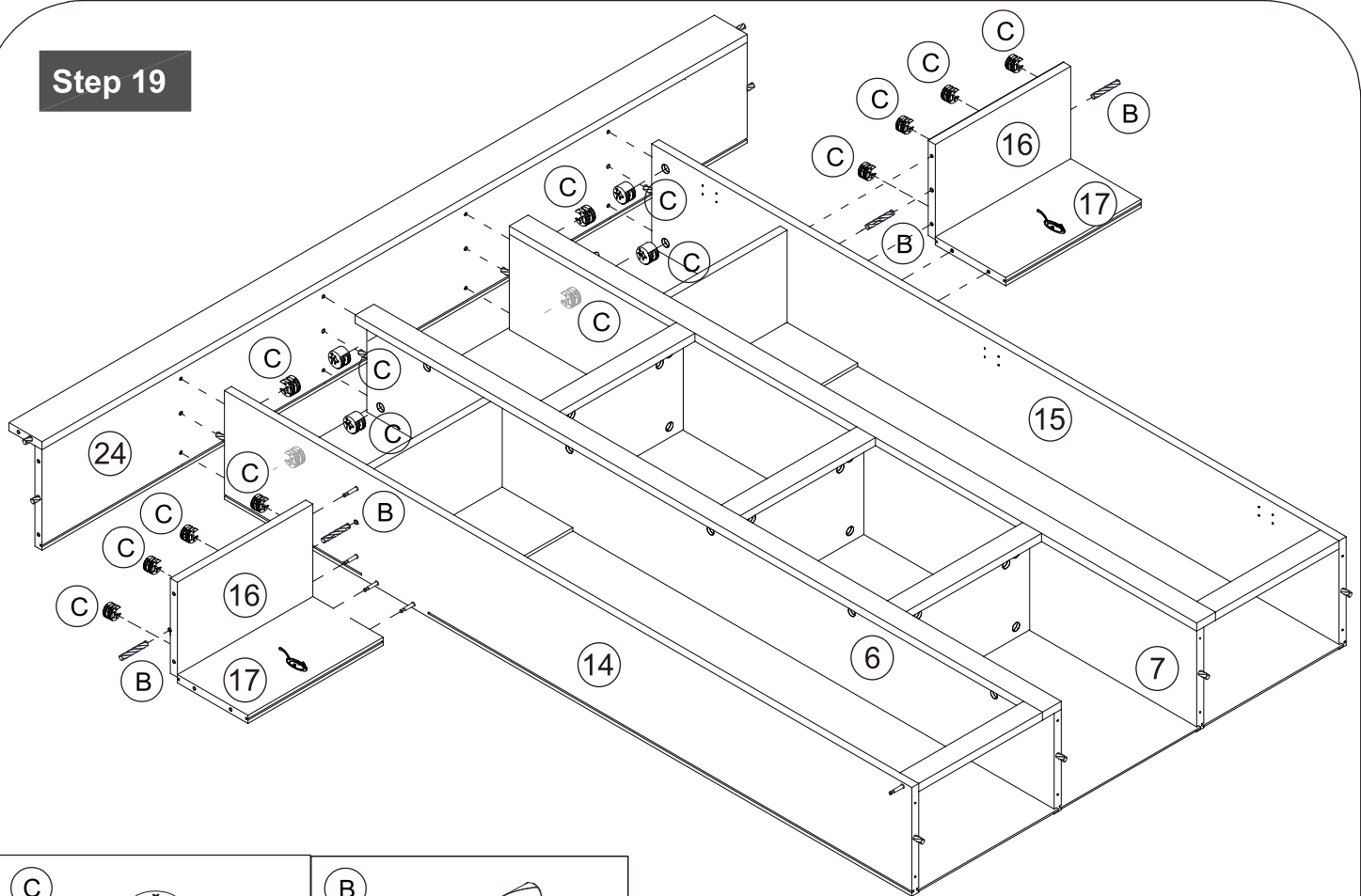


Step 18



Assembly Instructions

Step 19

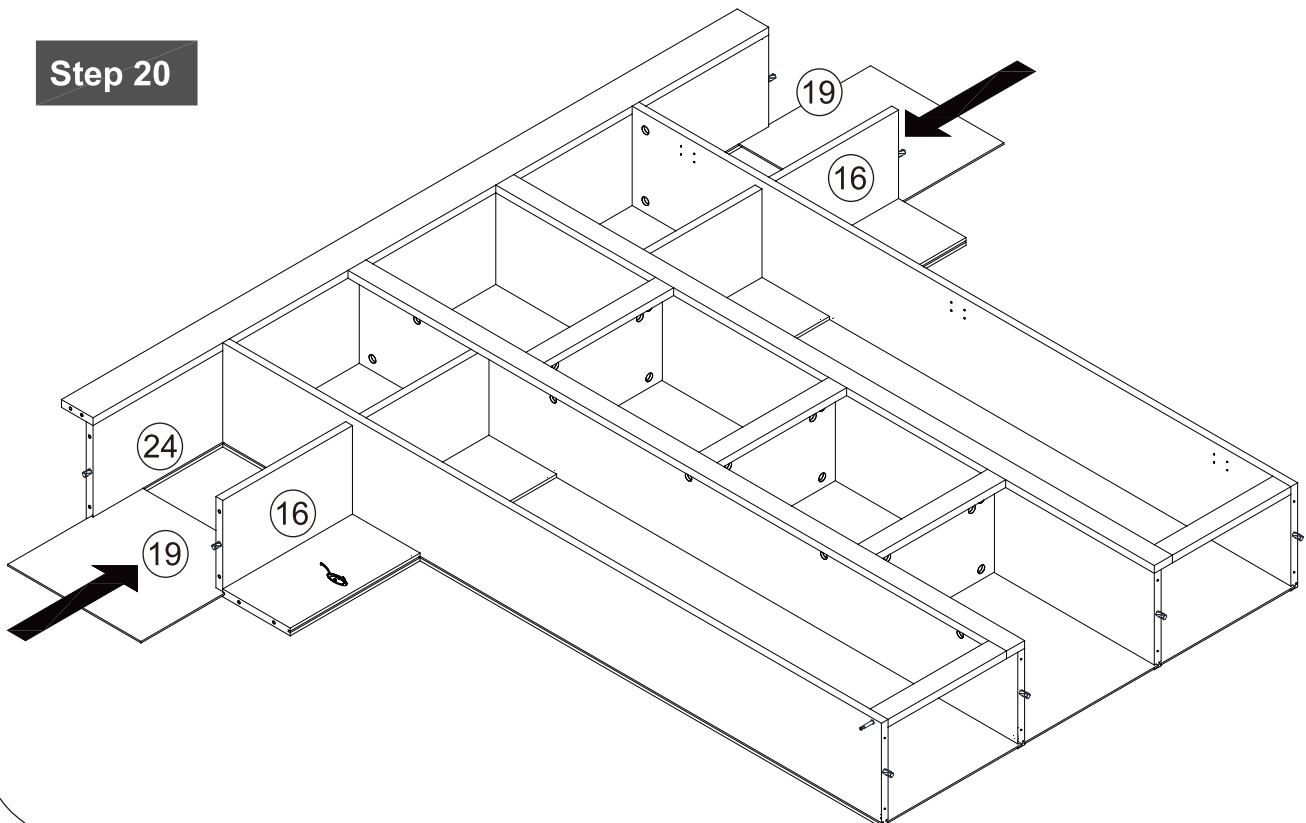


Cam lock x 12



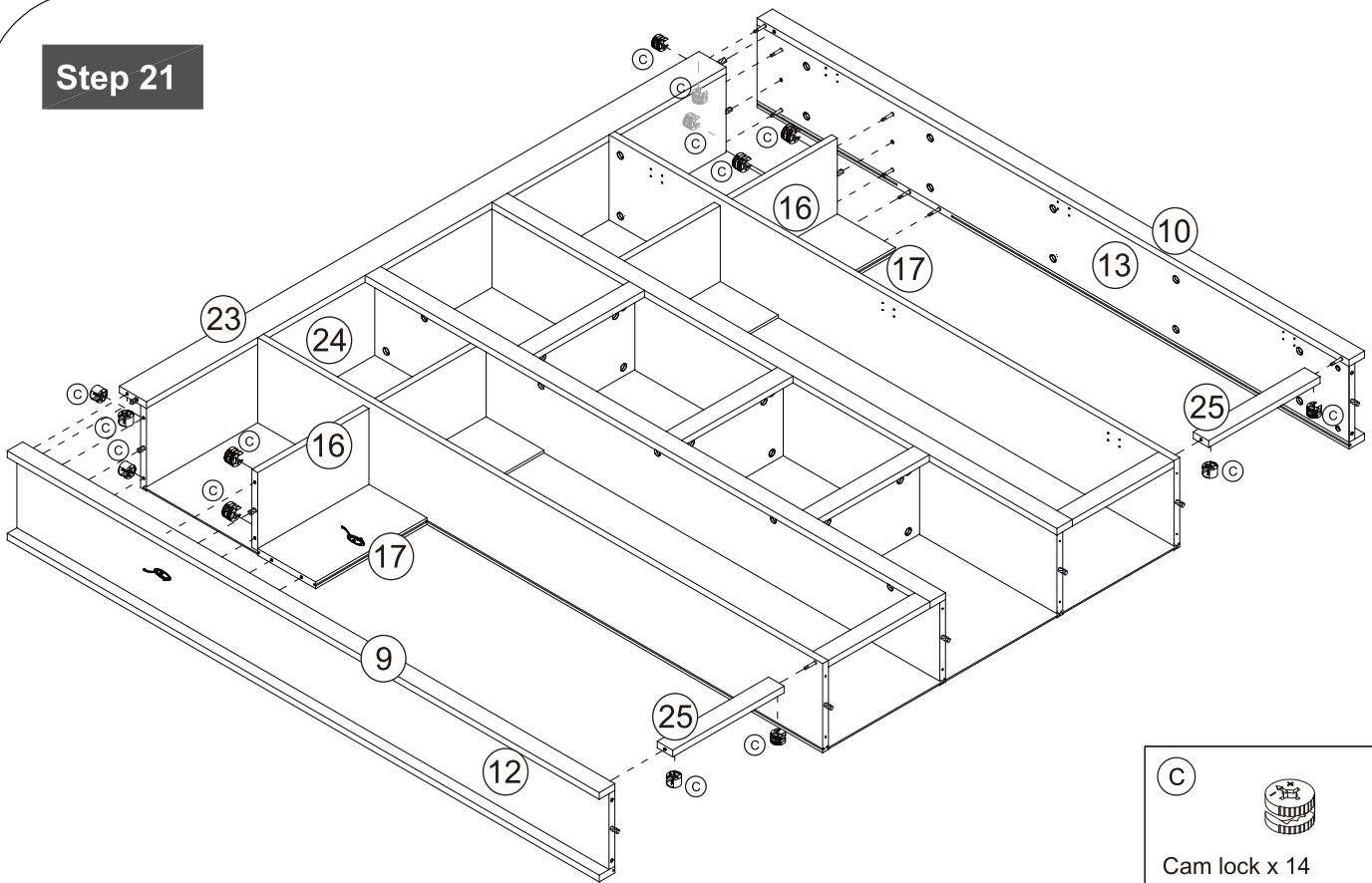
8*40mm Dowel x 4

Step 20

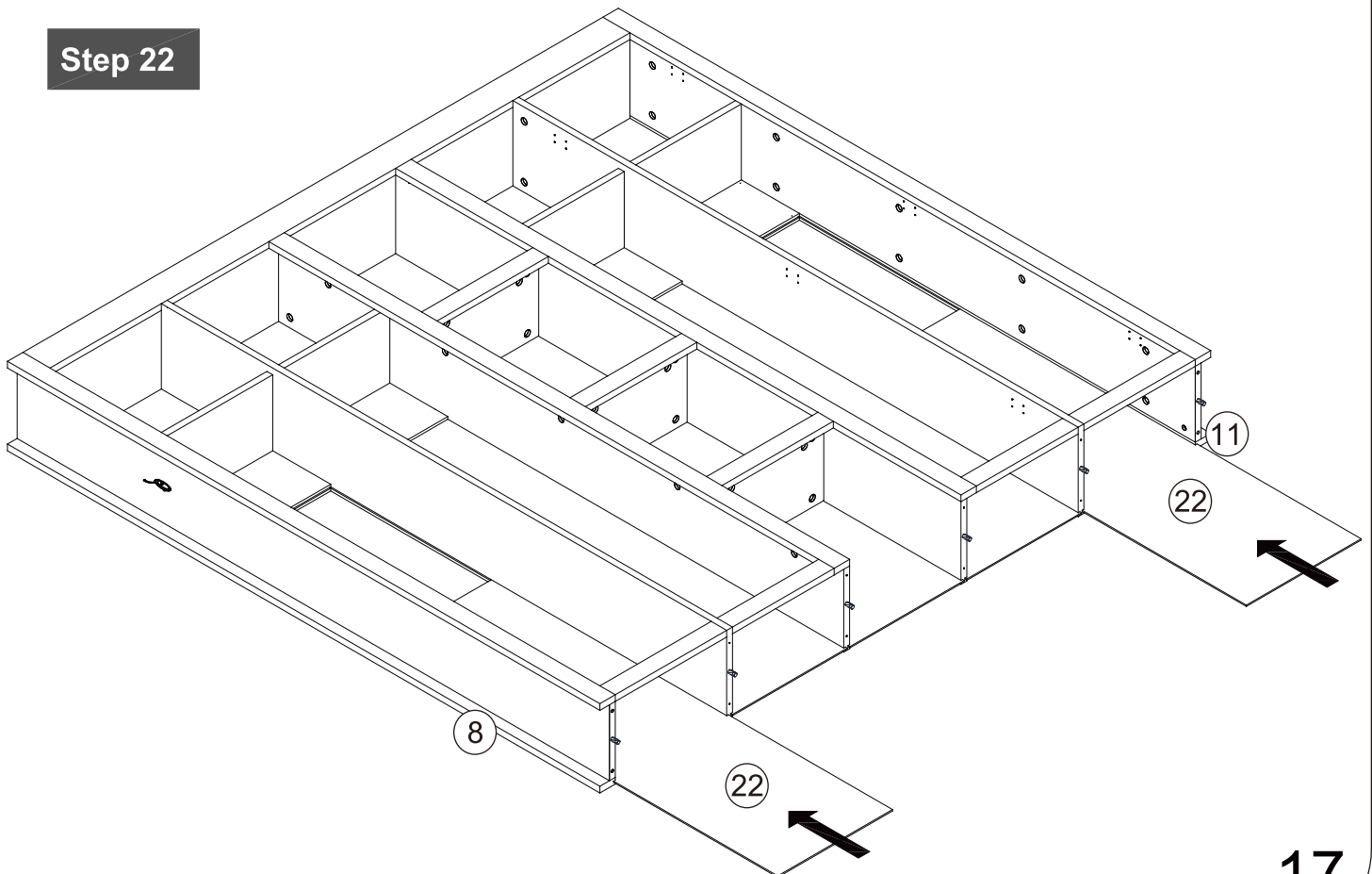


Assembly Instructions

Step 21

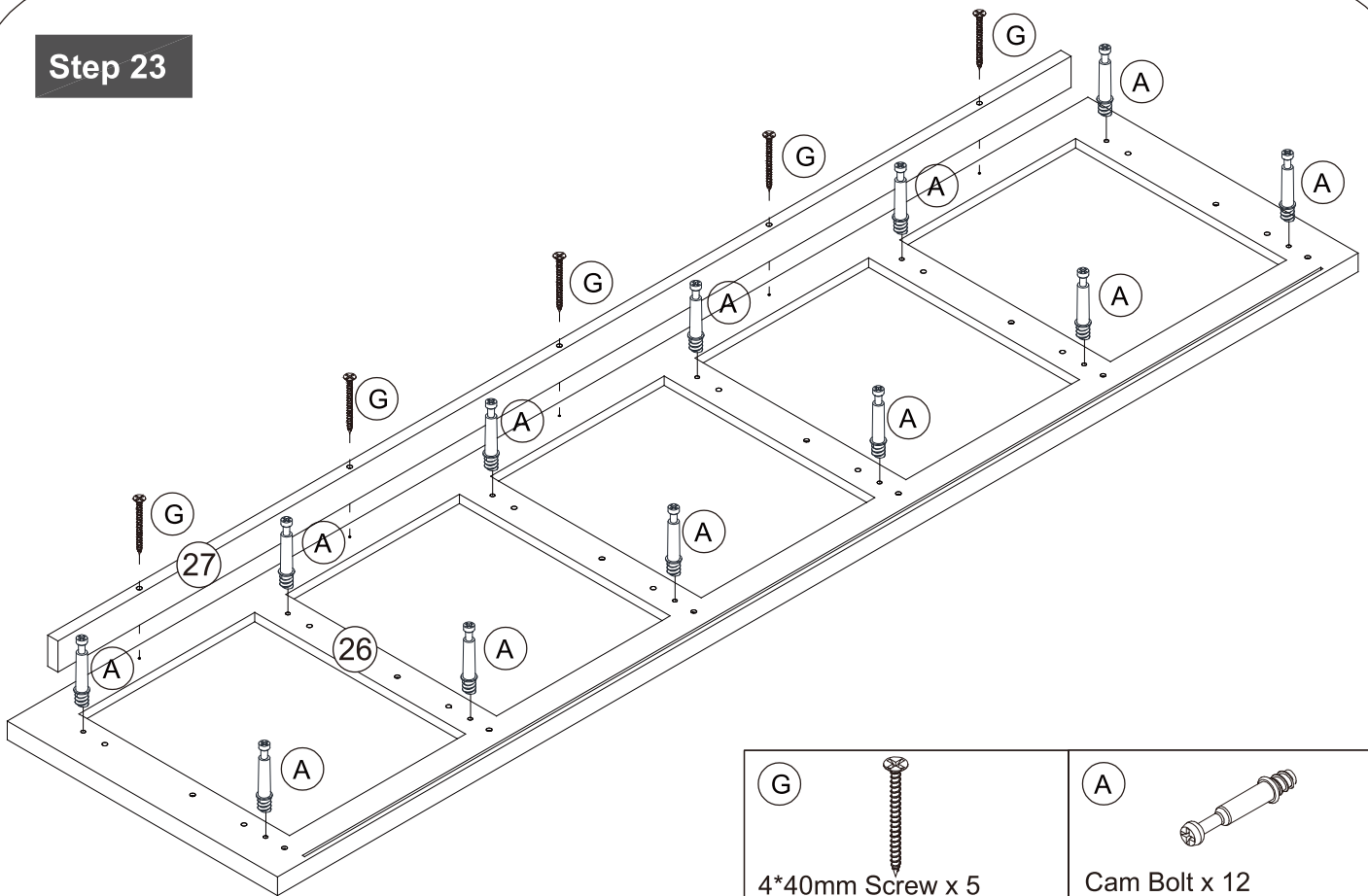


Step 22

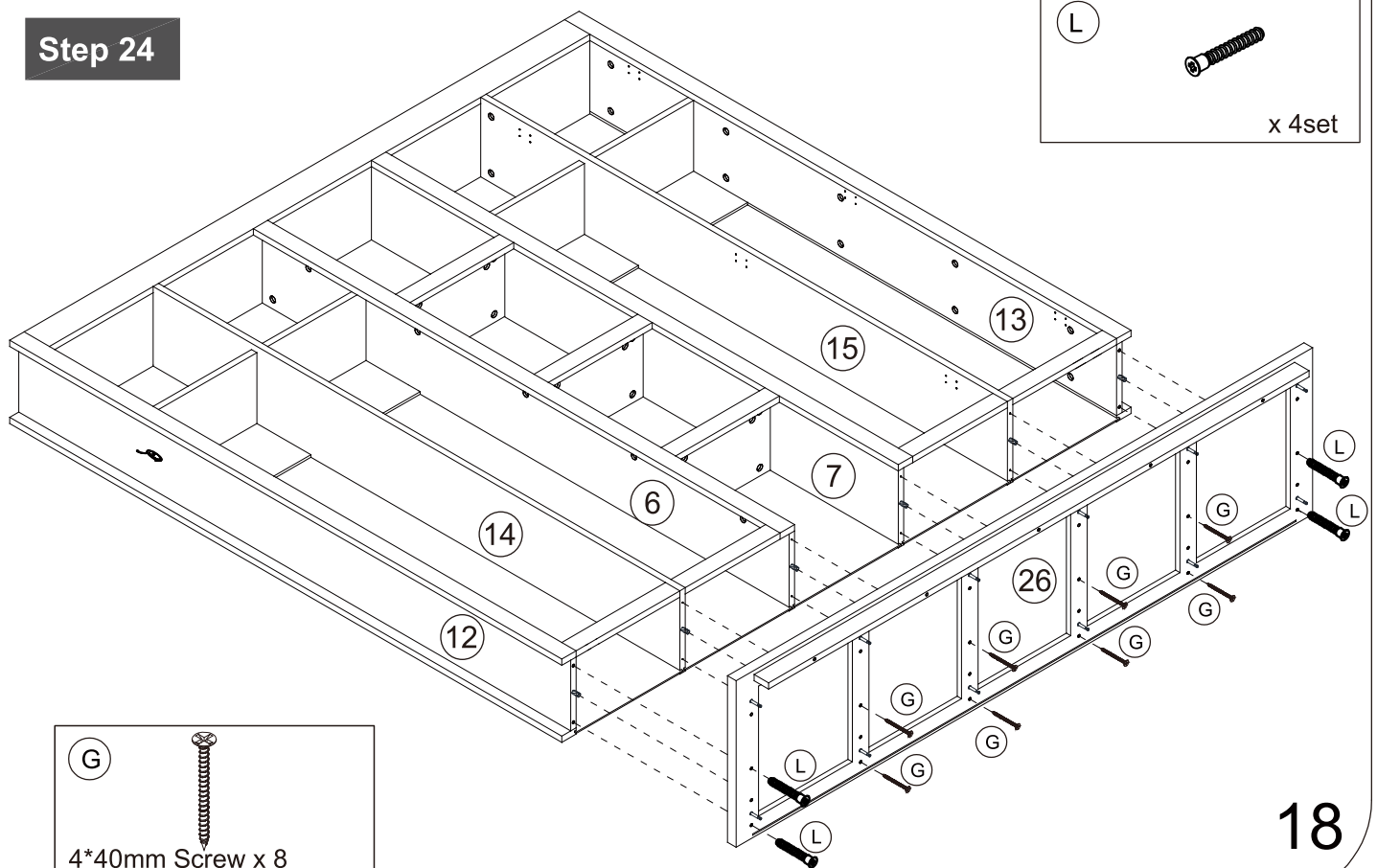


Assembly Instructions

Step 23

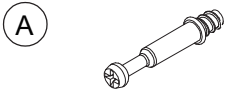
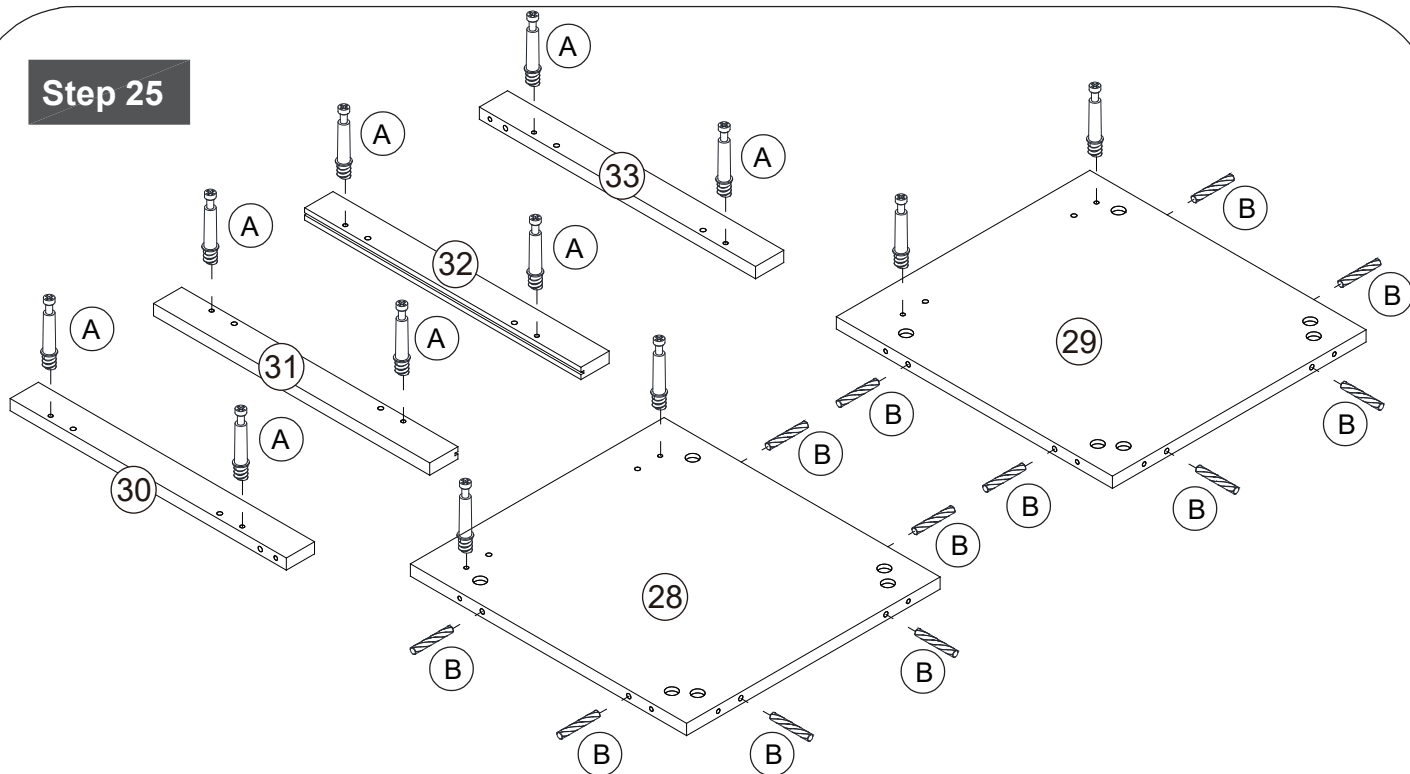


Step 24

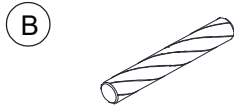


Assembly Instructions

Step 25

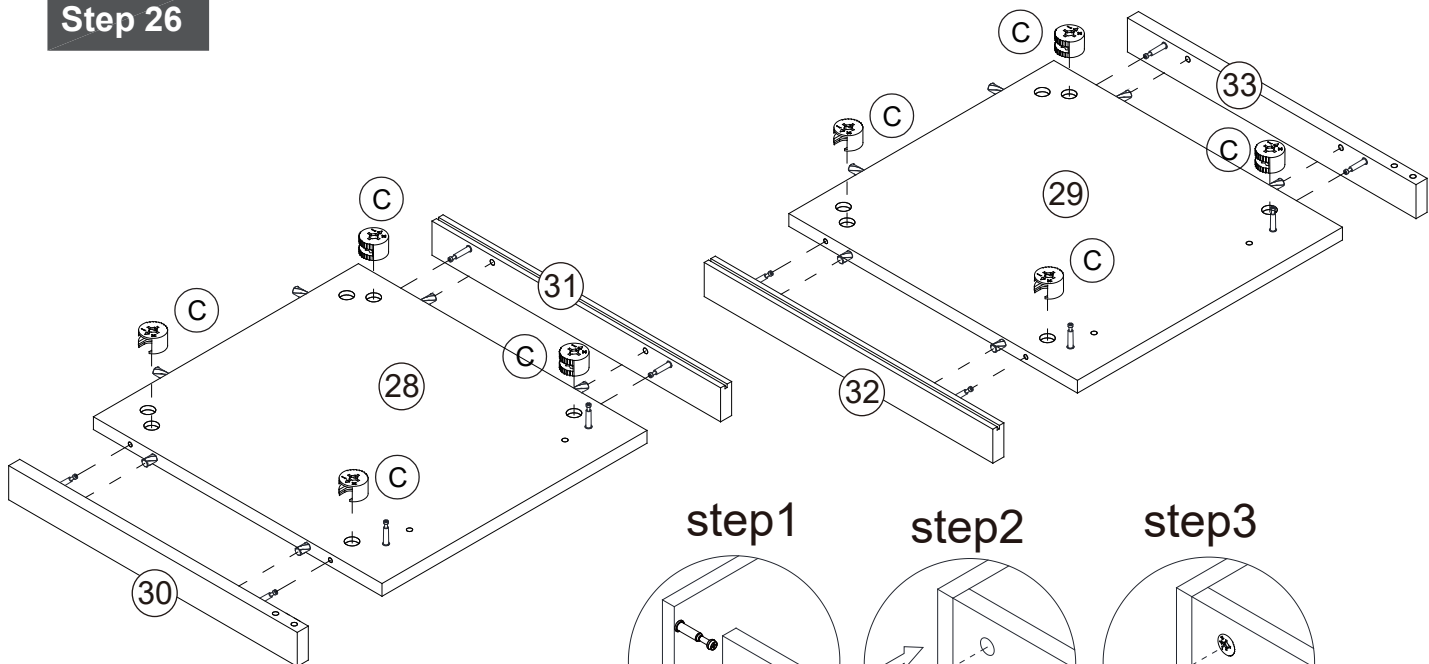


Cam Bolt x 12



8*40mm Dowel x 12

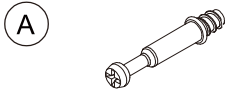
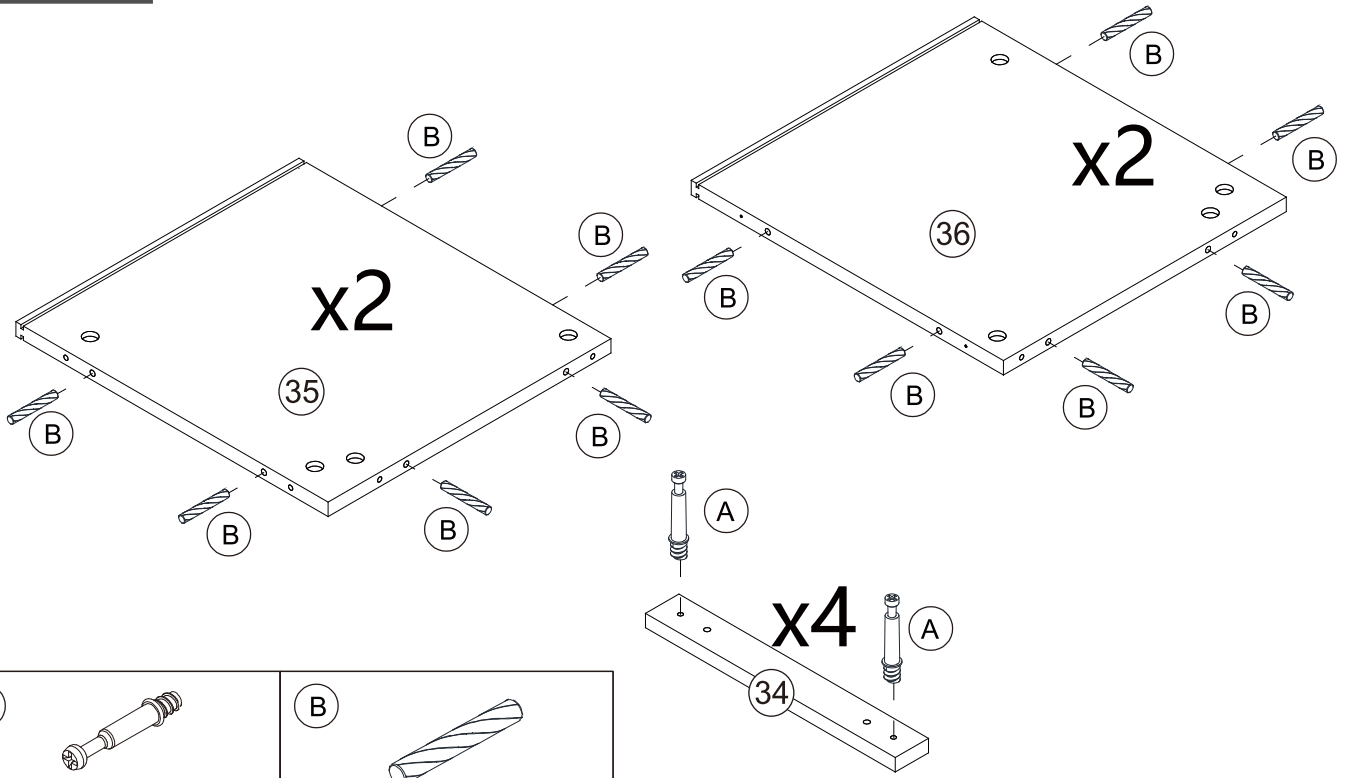
Step 26



Cam lock x 8

Assembly Instructions

Step 27

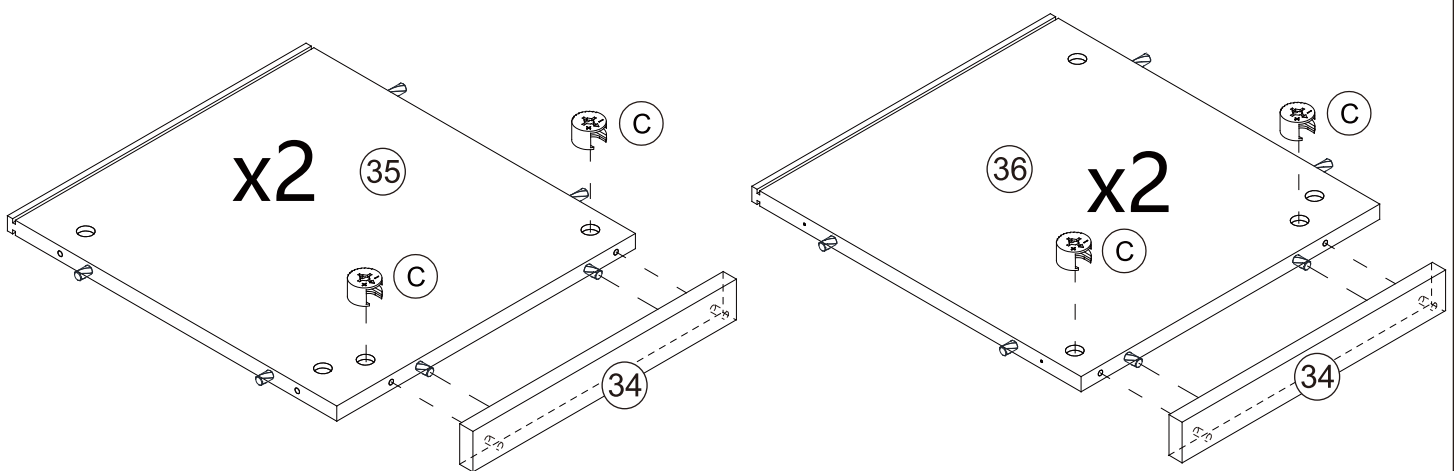


A Cam Bolt x 8



B 8*40mm Dowel x 24

Step 28



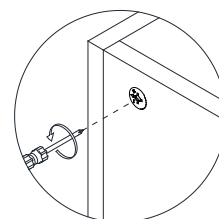
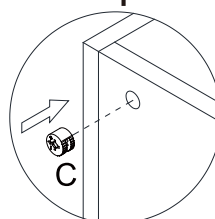
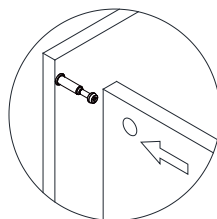
step1

step2

step3

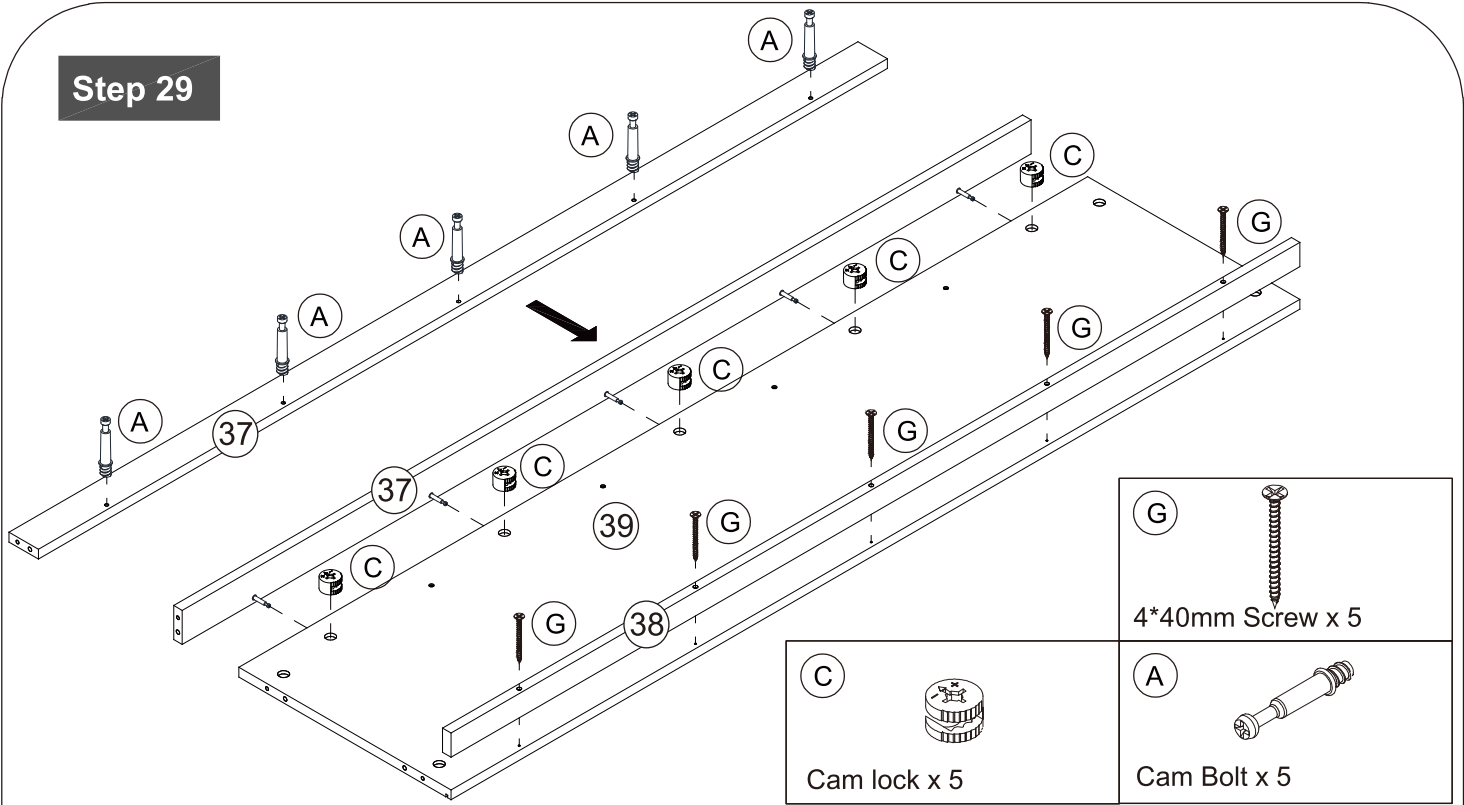


C Cam lock x 8

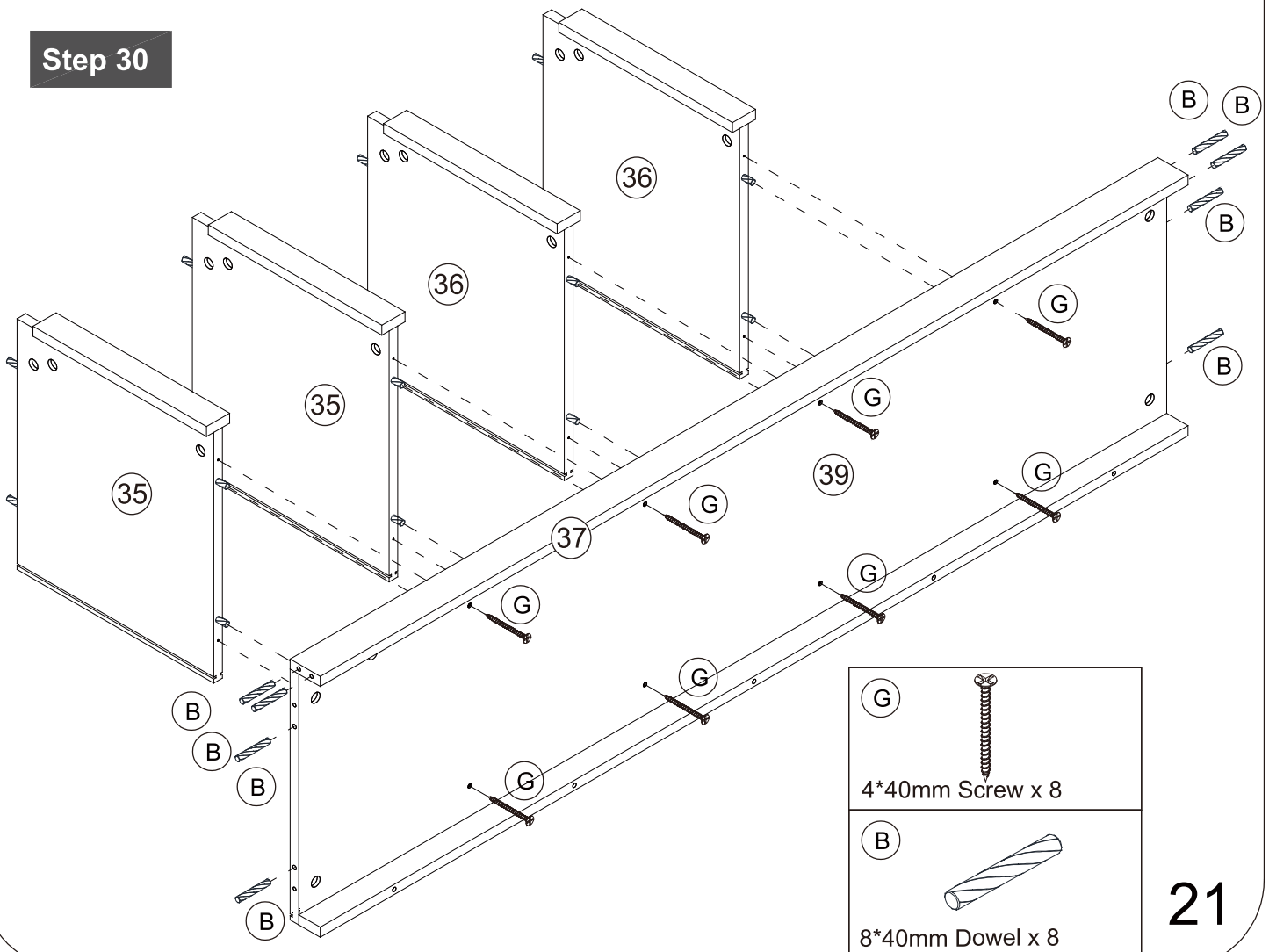


Assembly Instructions

Step 29



Step 30



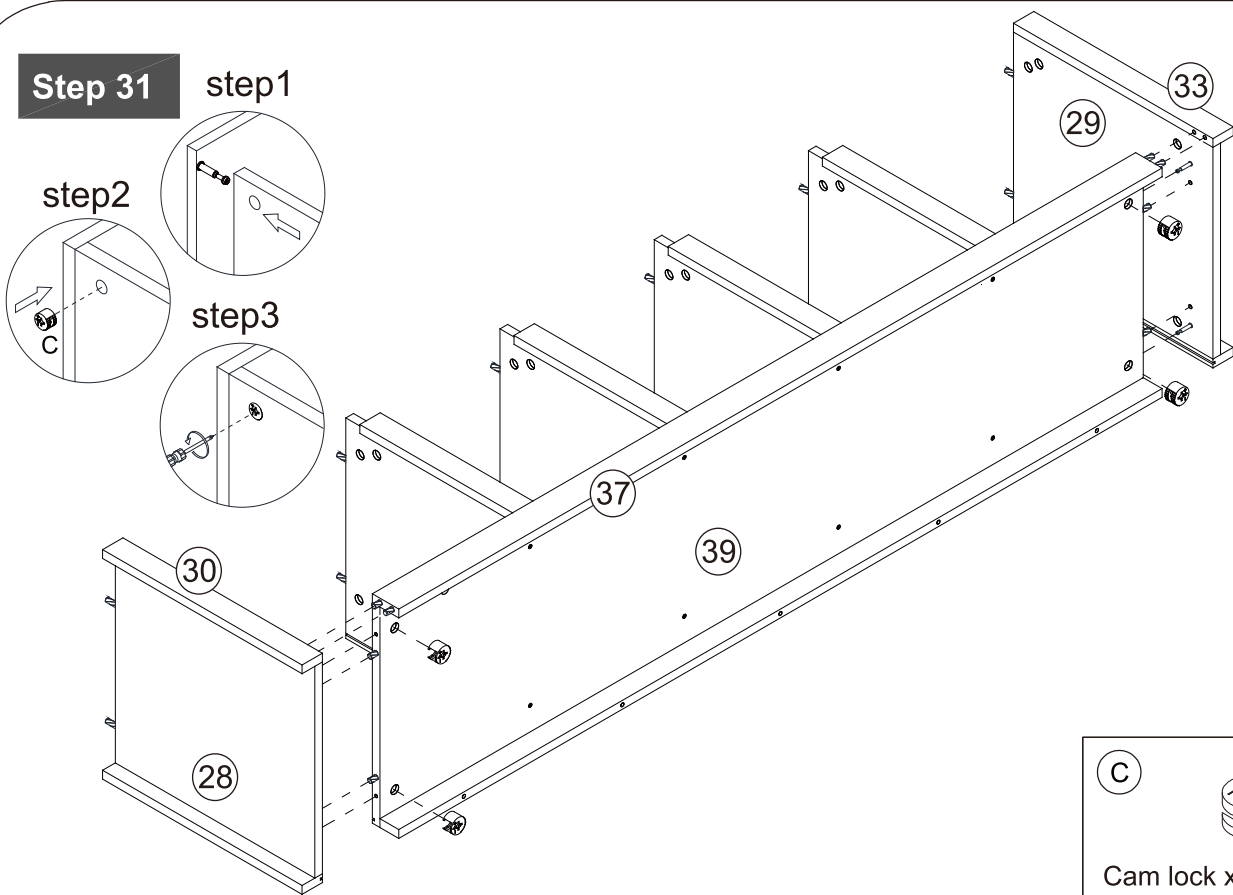
Assembly Instructions

Step 31

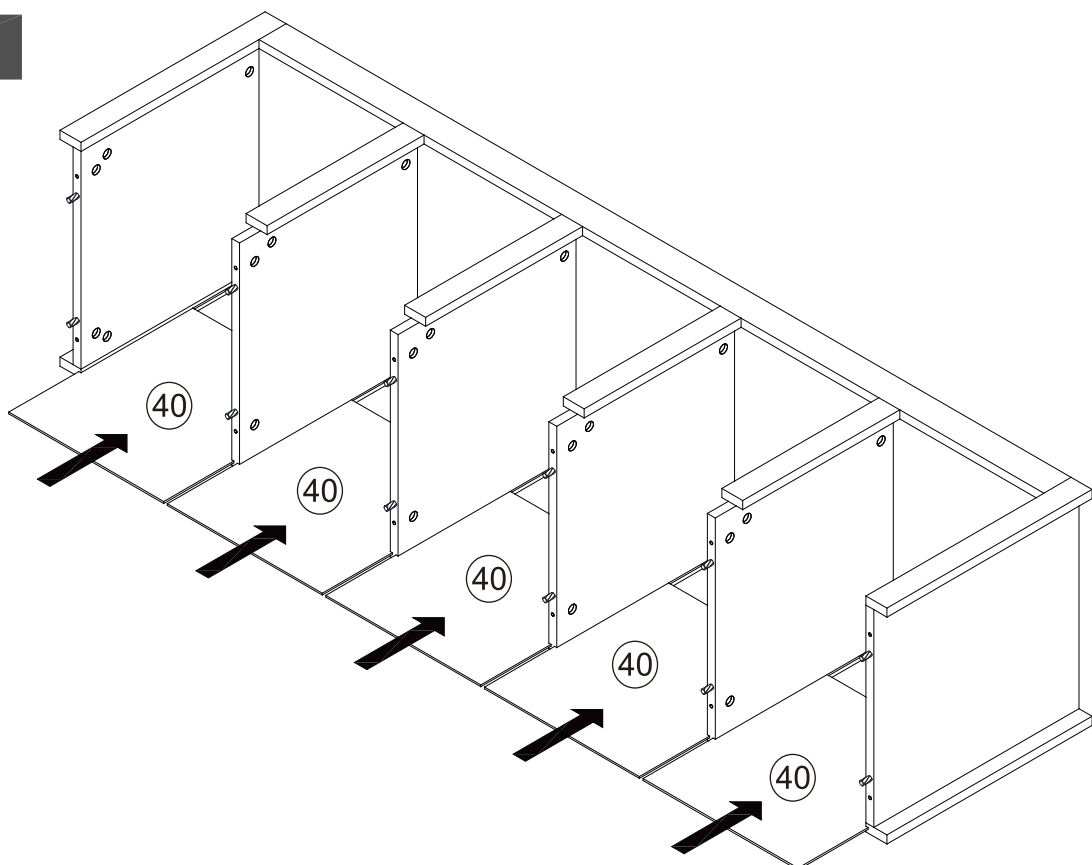
step1

step2

step3

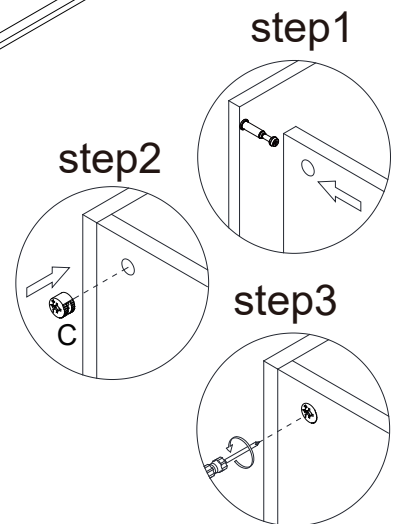
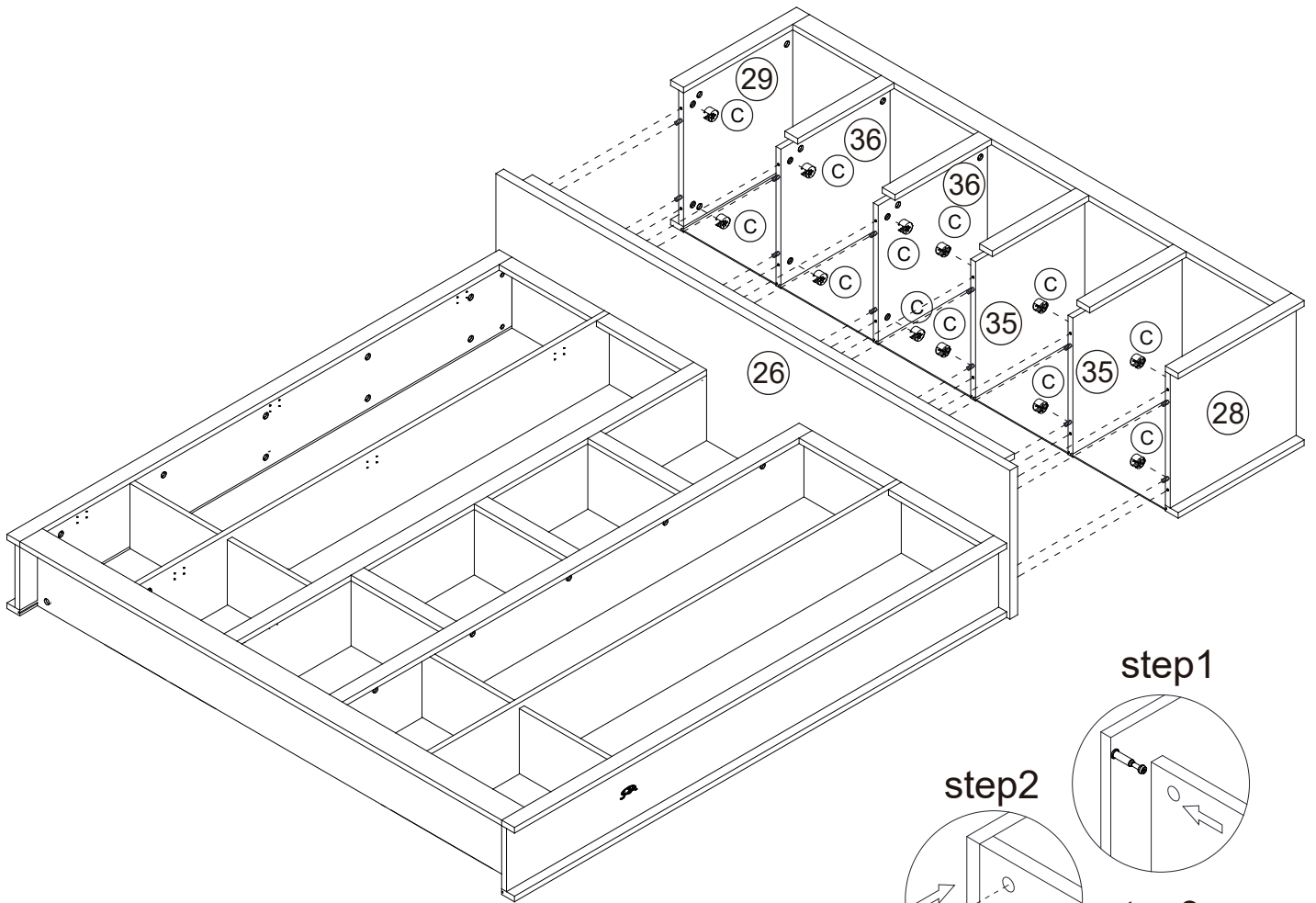


Step 32



Assembly Instructions

Step 33



C

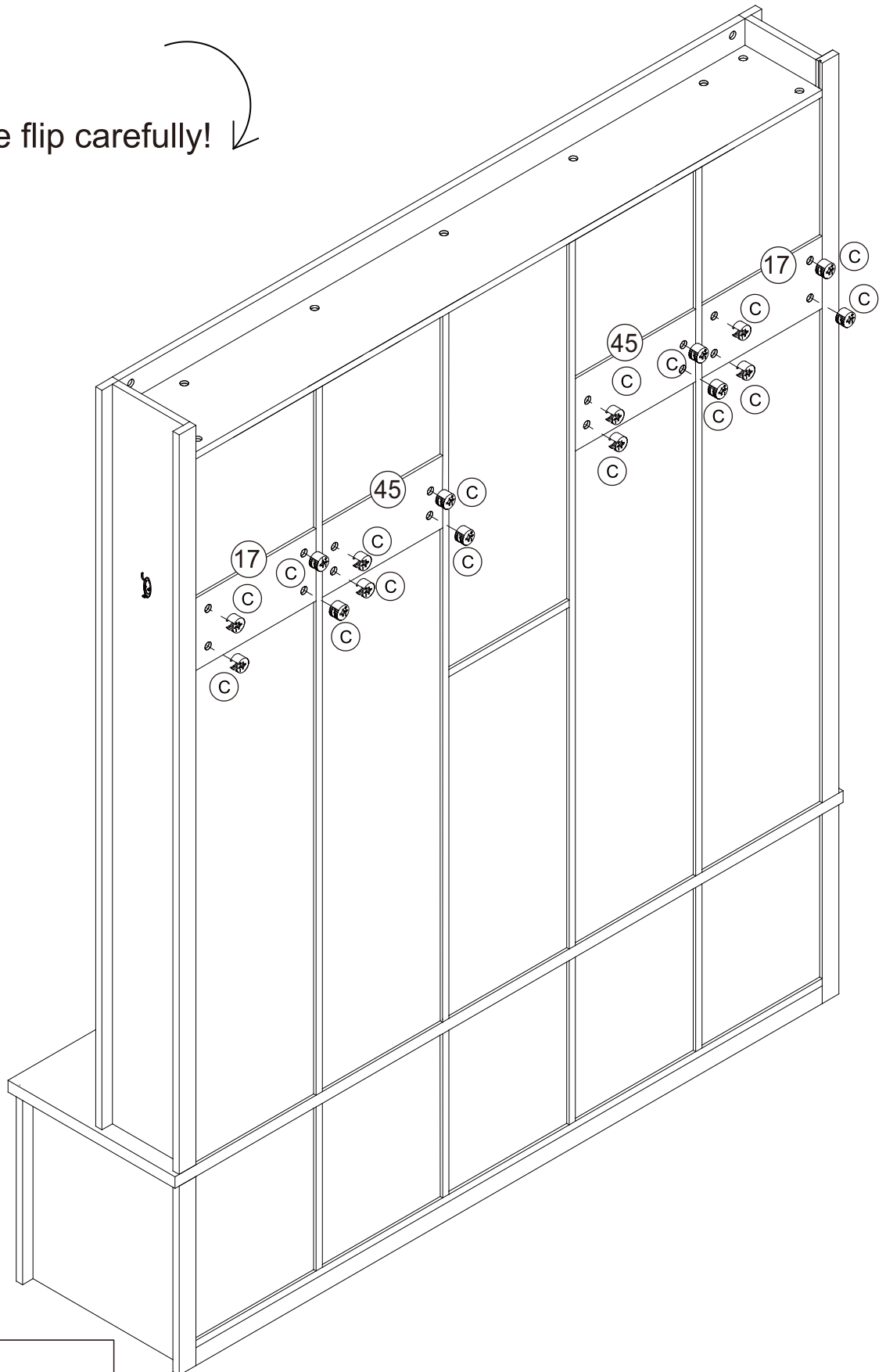


Cam lock x 12

Assembly Instructions

Step 34

Please flip carefully! ↙



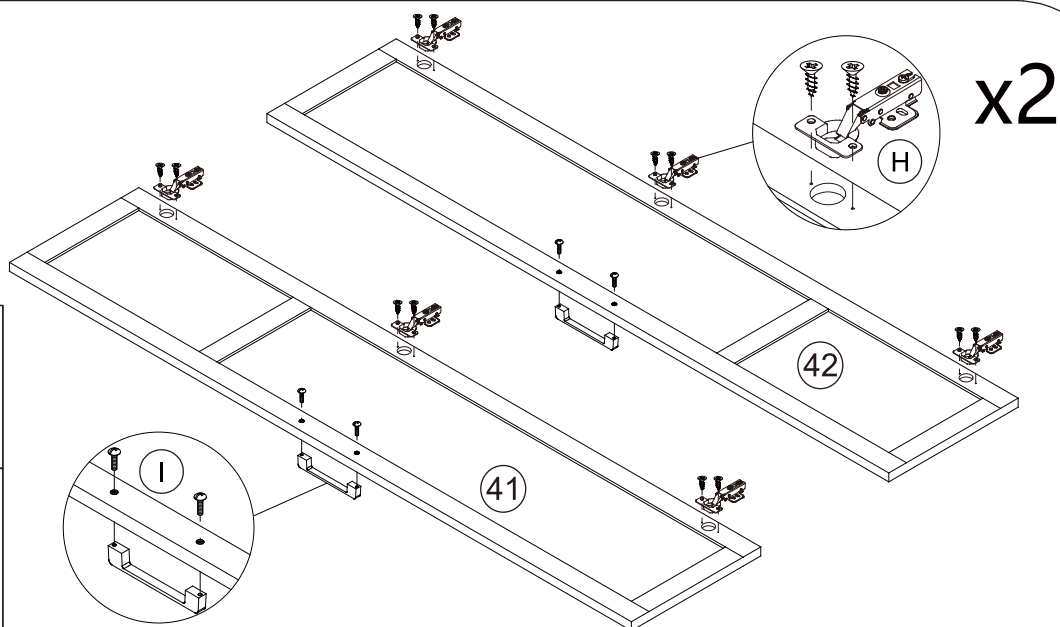
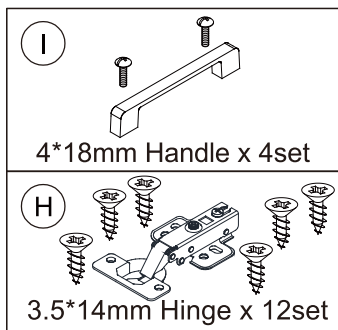
C



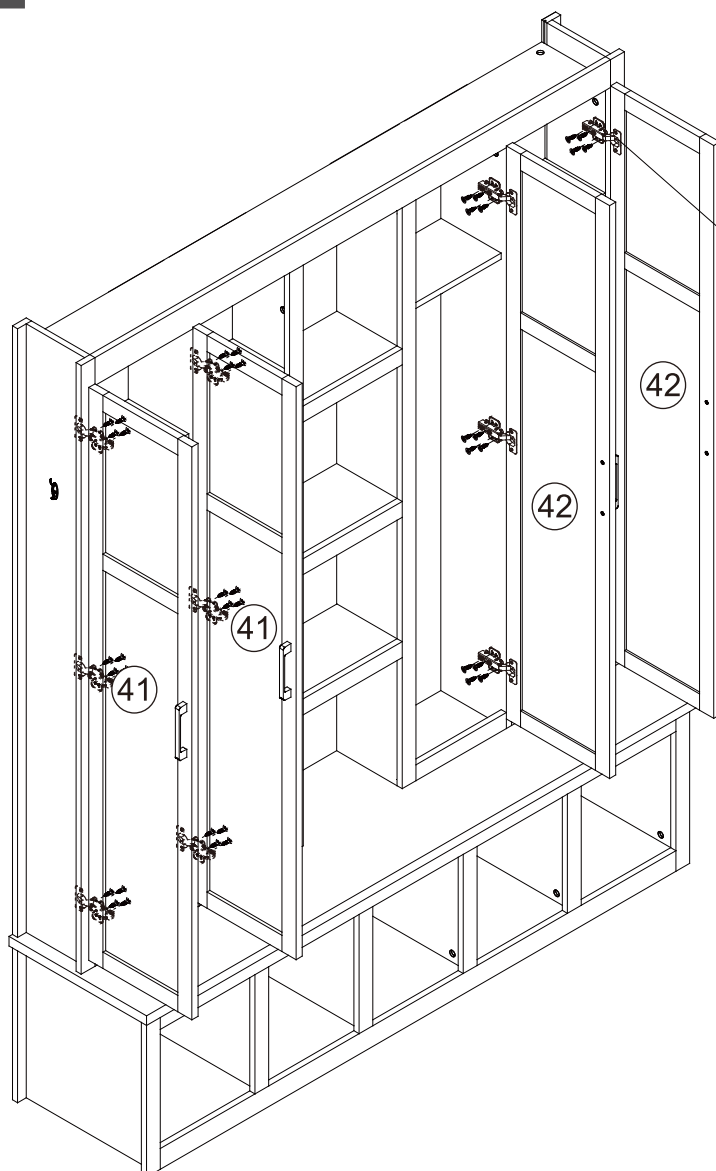
Cam lock x 16

Assembly Instructions

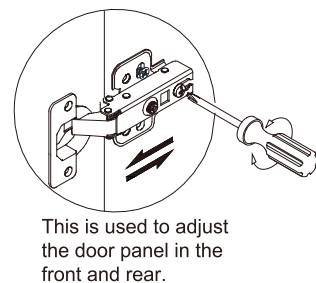
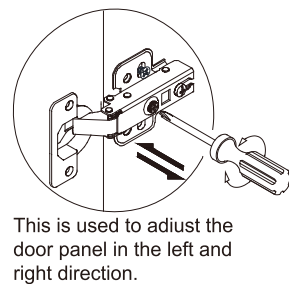
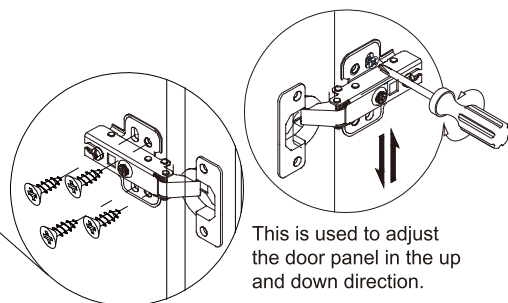
Step 35



Step 36



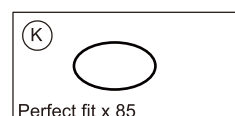
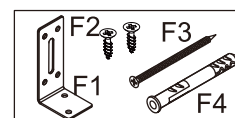
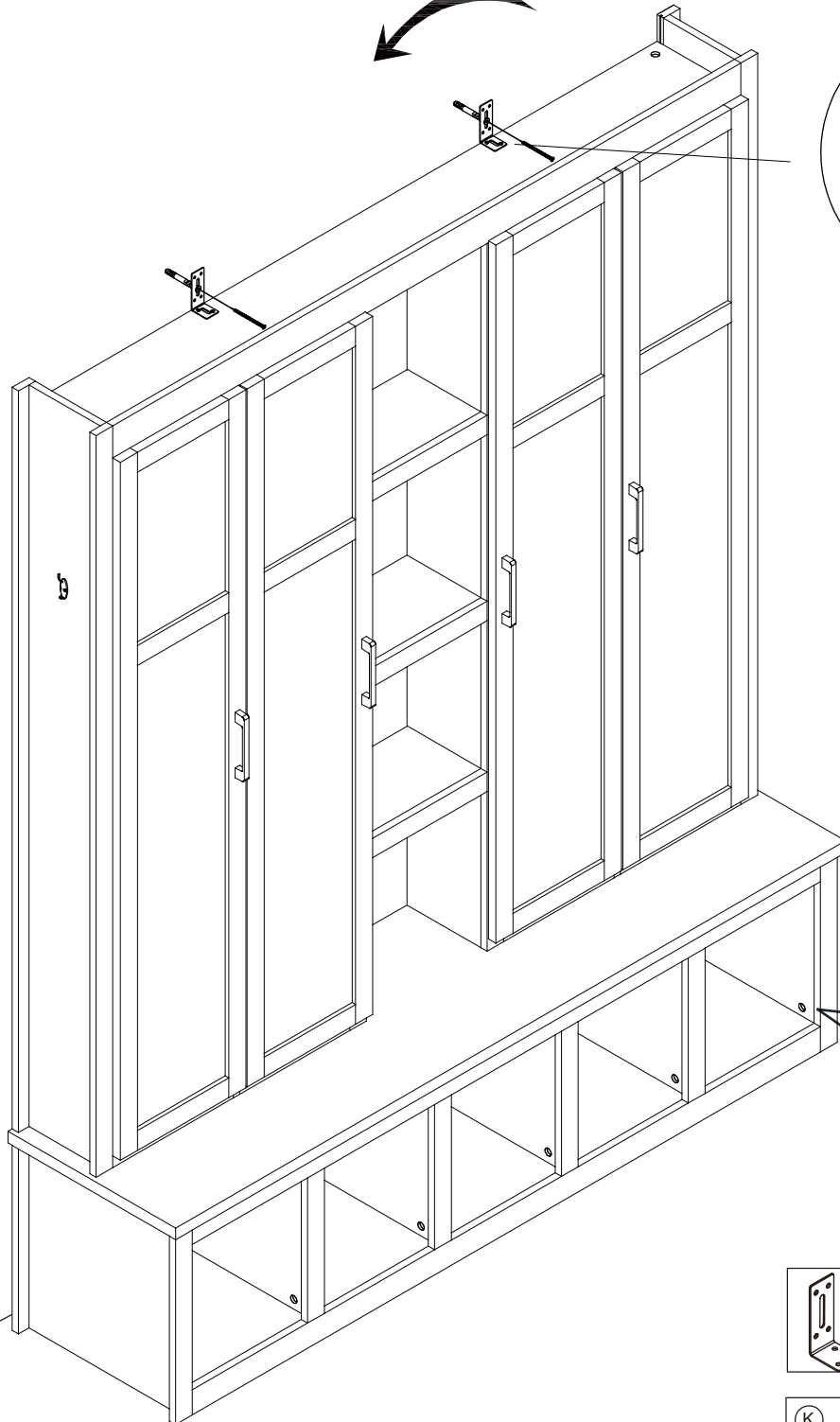
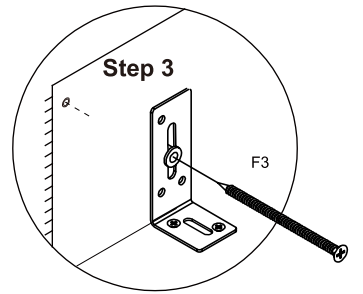
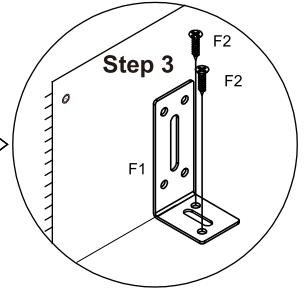
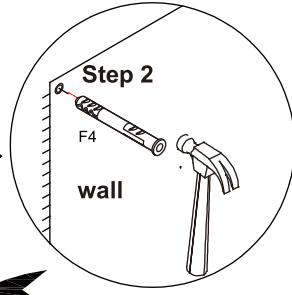
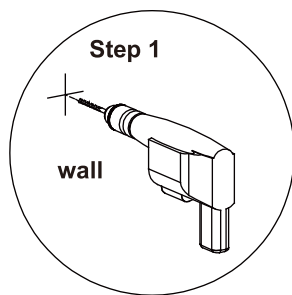
If the door can't close, please adjust the hinges as below.



Assembly Instructions

Step 37

WALL



Assembly Instructions

Finish

