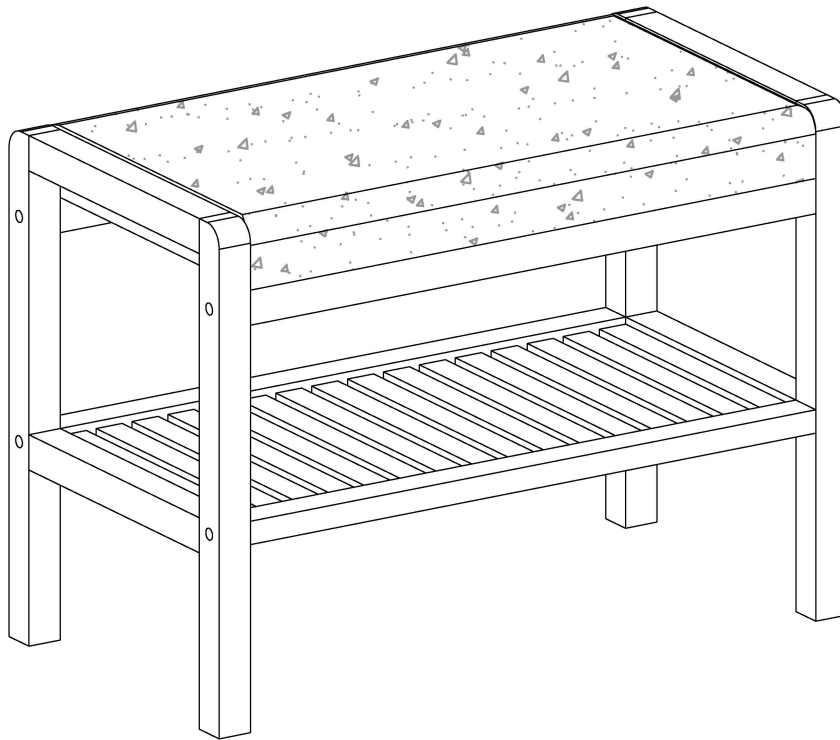


ASSEMBLY INSTRUCTIONS

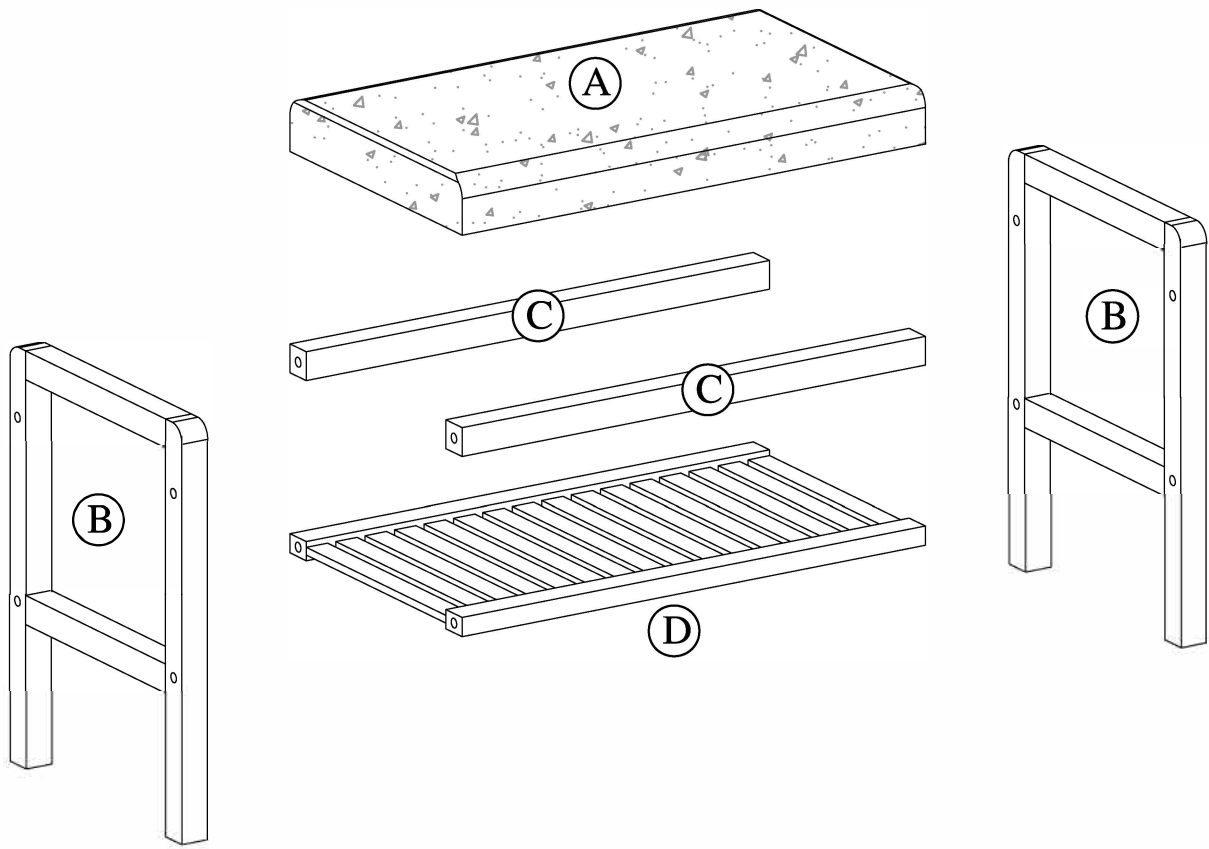
ACACIA PADDED BENCH

Place all wooden parts onto a clean and smooth surface such as a rug or carpet to avoid the parts from being scratched and please follow the assembly instructions step by step.



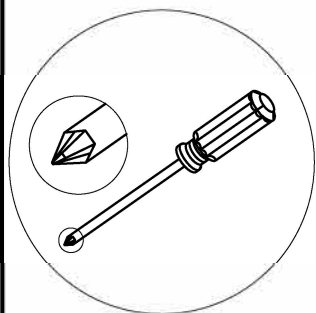
PARTS LIST

ITEM	DESCRIPTION	QTY
A	Cushion	1
B	Leg frame	2
C	Rails	2
D	Bottom frame	1

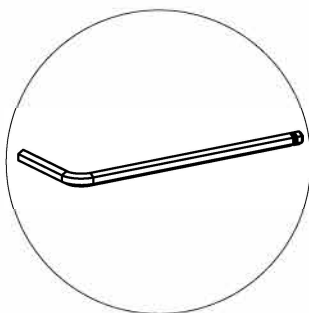


USE THE OUTER CARTON AS A WORK SURFACE TO PREVENT PRODUCT DAMAGE DURING ASSEMBLY.

TOOLS NEEDED



Phillips or Flat head screw driver, not included.



Allen wrench provided in the enclosed hardware package.

CLEANING & CARE

Clean dust using a lint free cloth.
Clean the surface using a damp cloth and mild dish washing liquid if necessary.
DO NOT use any cleaning product containing alcohol or ammonia.
We recommend that you test all cleaning solutions on the underside or any surface that would not be seen during normal use of the product.

Safety

Adult assembly is required. Follow assembly instructions. For safety, please follow the instructions .

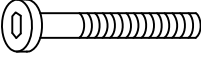
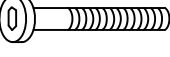
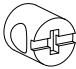



WARNING: keep plastic bags and small parts away from children.

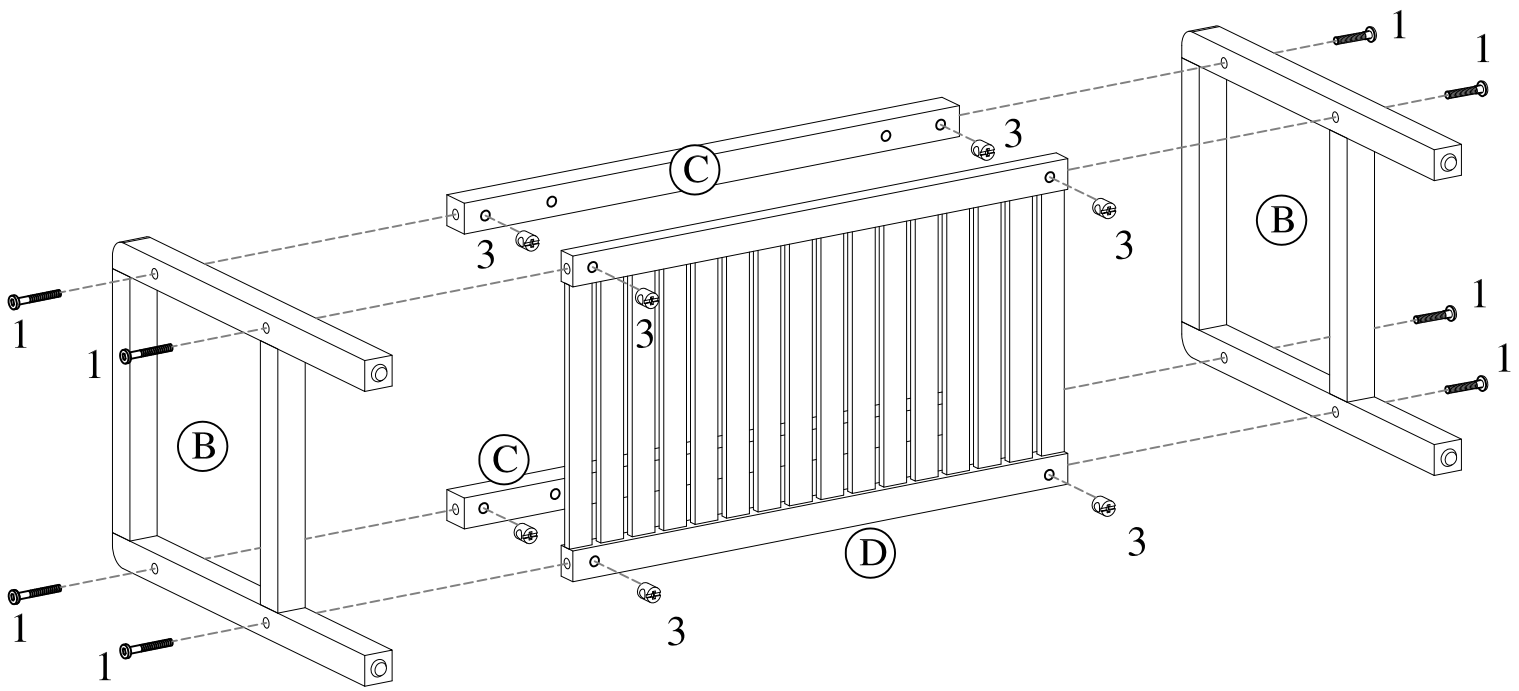


WARNING: Safely discard all packing material.

HARDWARE LIST

NO	SKETCH	DESCRIPTION	QTY
1		Long bolt	8
2		Short bolt	4
3		Barrel nut	8
4		Wrench	1

STEP 1:



Parts C (the seat stretchers) have 2 sides. The lower side has holes that will accommodate the heads of bolts (2) and the opposite side wont. Please make sure they are correctly oriented otherwise the bolts will not be long enough to attach the seat

STEP 2:

