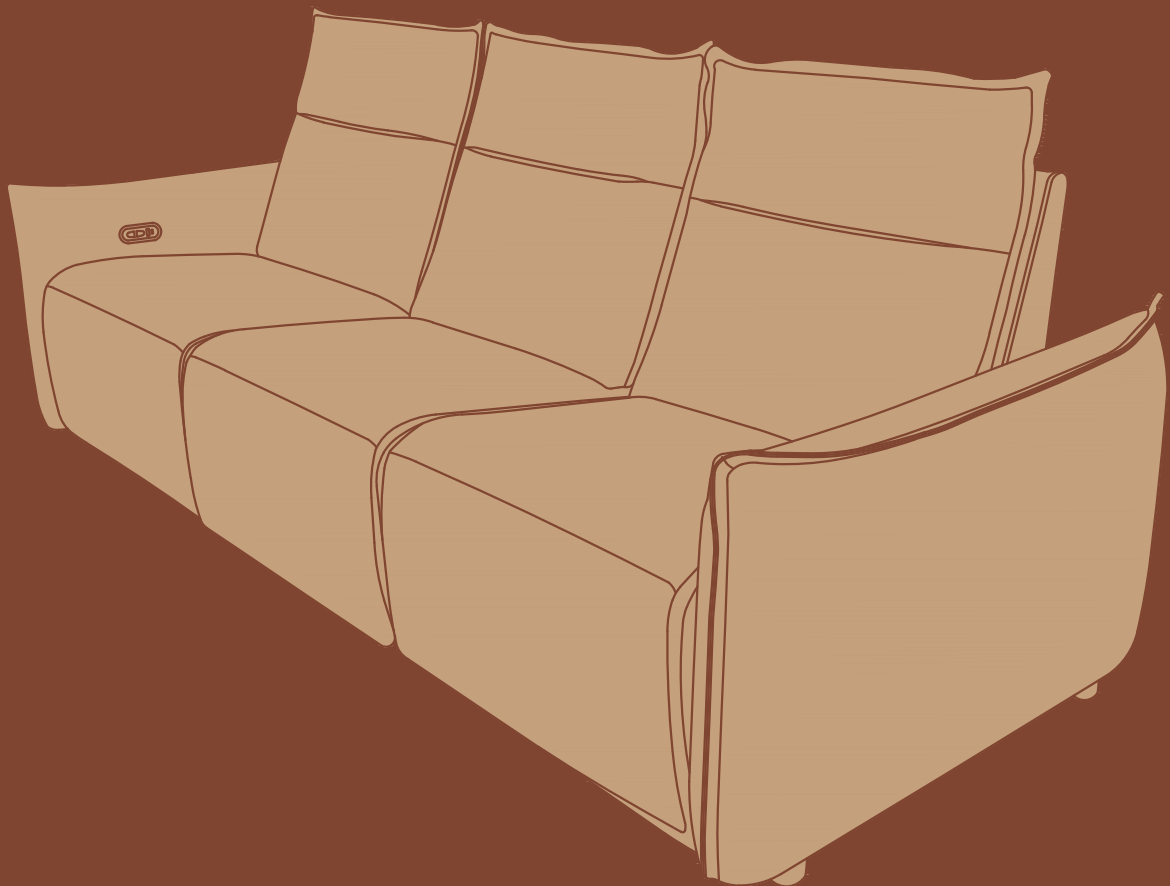


ASSEMBLY INSTRUCTION



Sofa

CATALOGUE

Introduction	01
Precautions	01
Tips	02-04
Parts list	05-06
Product portfolio	07
Installation process of handrail installation process	08
Installation process of left armrest sofa	09-14
Installation process of right armrest sofa	15-20
Installation process of armless sofa	21-23
Component connection diagram	24-25
Connection function plug	26
Combination completion diagram	27
Important tips	28

INTRODUCTION

Thank you for purchasing our products. Please read the instructions carefully before installation and keep it in a safe place for future reference. If you need any assistance or support, please feel free to contact our customer support team.

PRECAUTIONS

This package contains numerous components and hardware pieces. Please identify and verify all parts against the parts list before you begin assembly.

WARNING: Choking Hazard. This product contains small items. Keep all parts and hardware out of the reach of children during assembly.

To prevent scratches, assemble the product on a soft, non-abrasive surface such as a carpet, blanket, or the flattened cardboard packaging.

Some components are heavy. For safety, we recommend this product be assembled by two adults.

The unit may be unstable until assembly is fully complete. Do not move the product until all steps are finished.

If you encounter any issues or have questions, please contact our customer service team for assistance.

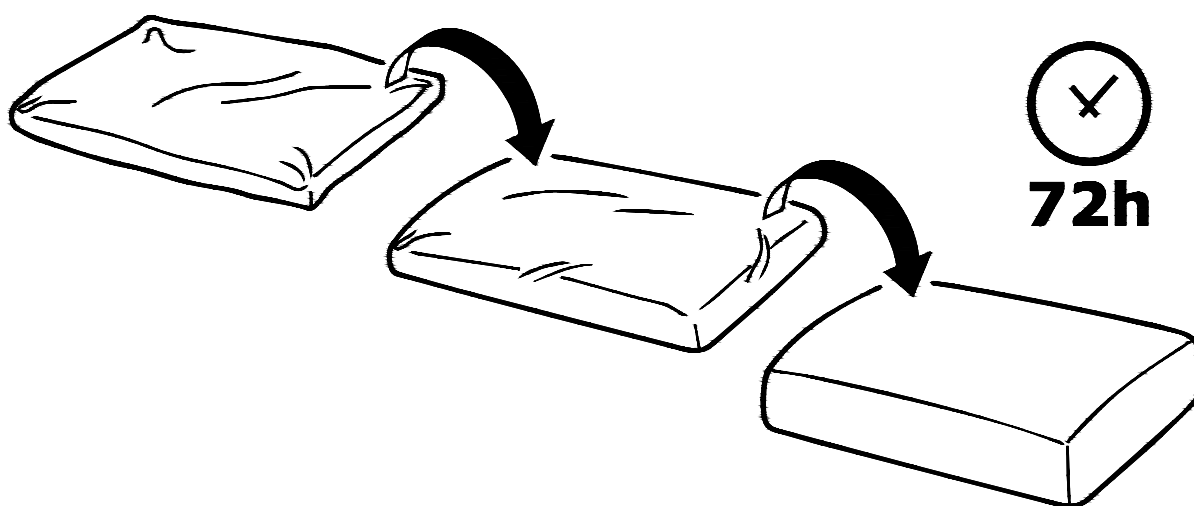
*** Please be sure to follow the installation steps in the manual to avoid unnecessary losses caused by improper installation.**

Tip 1

Open the vacuum bag carefully, then take out the seat cushion.

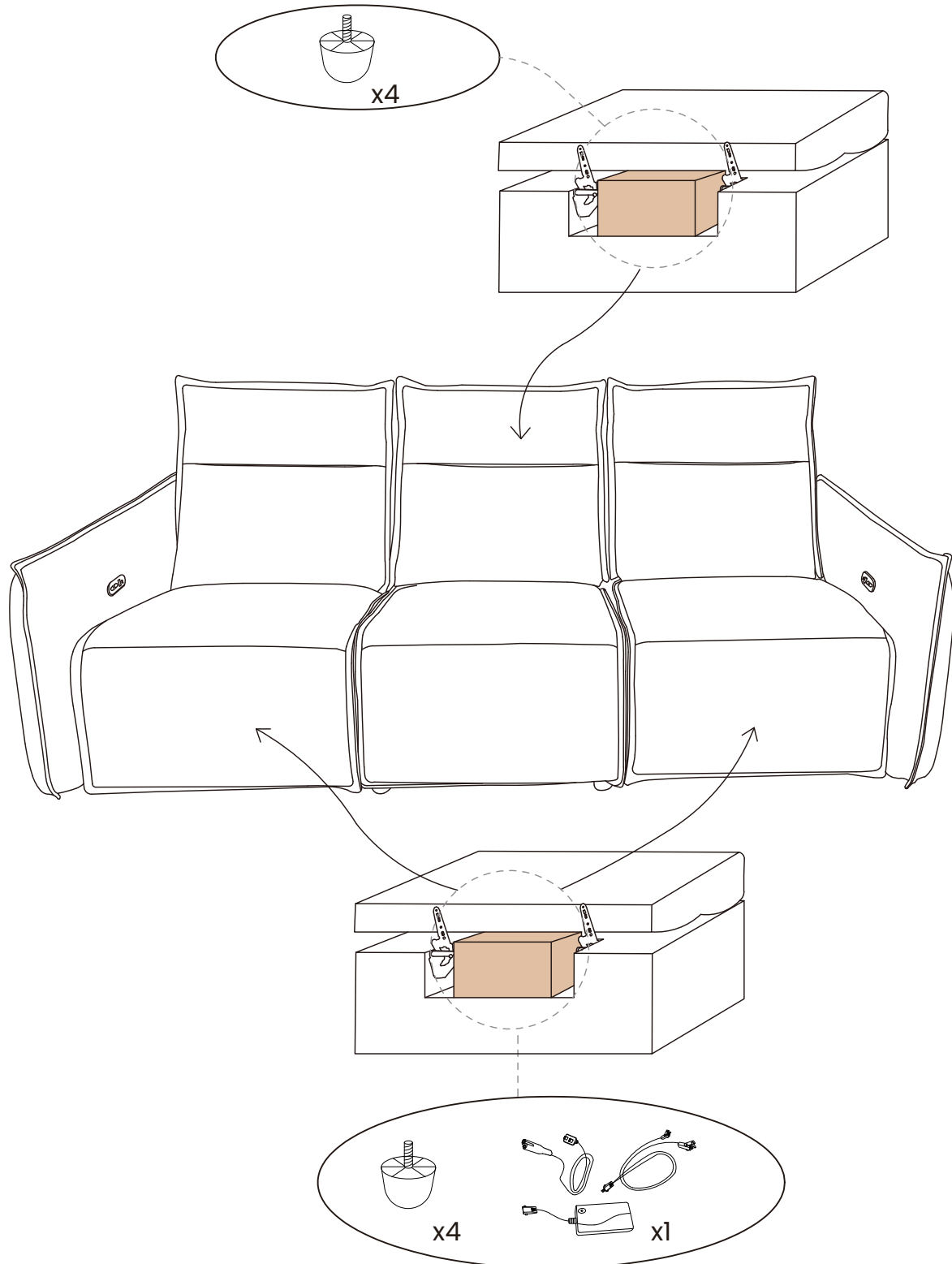
Properly pat all cushions and wait for 72 hours to help them return to their original shape.

To help them regain their shape faster, please try firmly and evenly pat around each cushion.



Tip 2

Contained Component

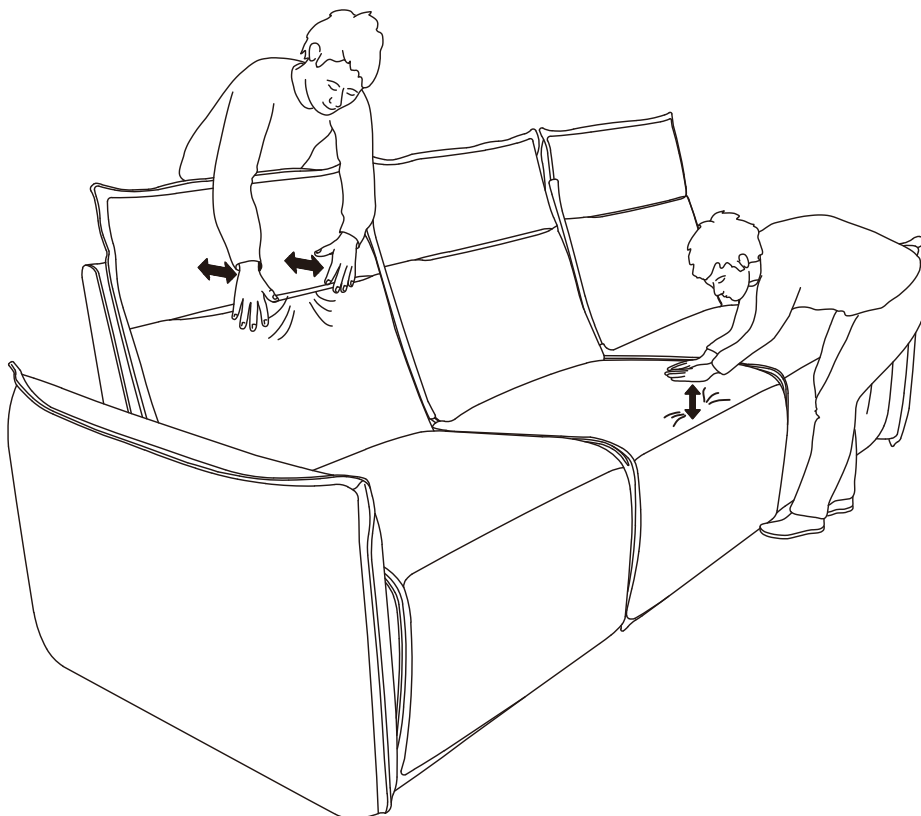
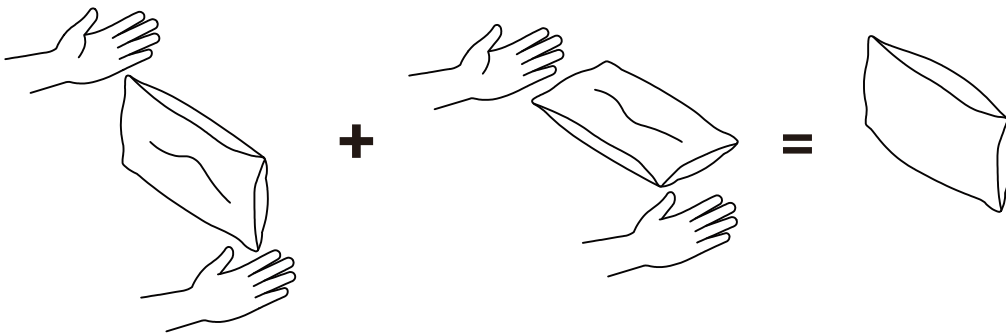


Tip 3

To maintain the sofa's loft and comfort over time, periodically fluff and pat the cushions. This helps restore its appearance if sagging or flattening occurs after extended use.

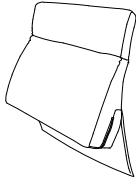
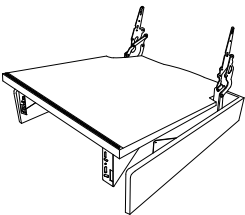
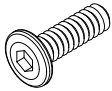
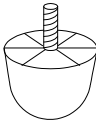
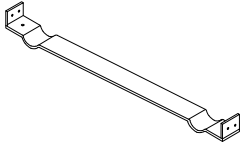
To restore fluffiness and maintain comfortable seating, gently pat and fluff the cushions as needed:

- **When to fluff:** When cushions feel less resilient or appear flat.
- **How to fluff:** Use a cupped hand to gently pat the sides, front, and back of the cushion with moderate pressure. Repeat as needed. Avoid using excessive force.

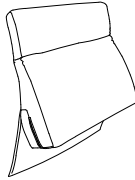
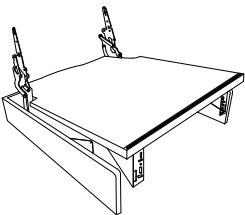
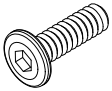
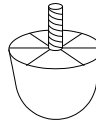
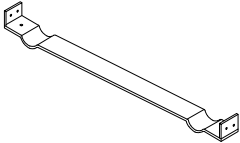


Parts List

BOX A(L)

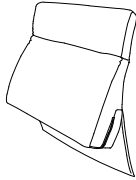
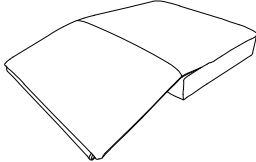
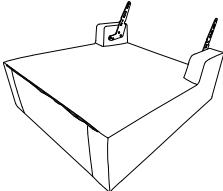
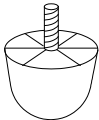
ID	Parts	QTY
1		1
3		1
A		8
B		4
C		1

BOX B(L)

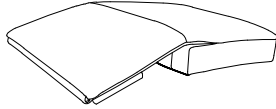
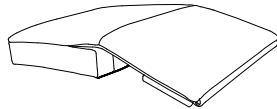
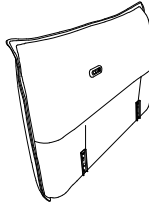

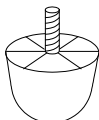
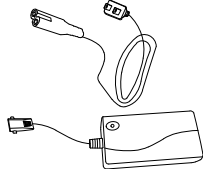
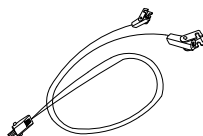
ID	Parts	QTY
4		1
6		1
A		8
B		4
C		1

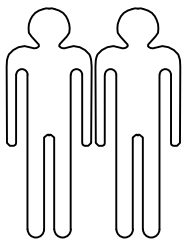
Parts List

BOX C

ID	Parts	QTY
7		1
8		1
9		1
B		4

BOX D

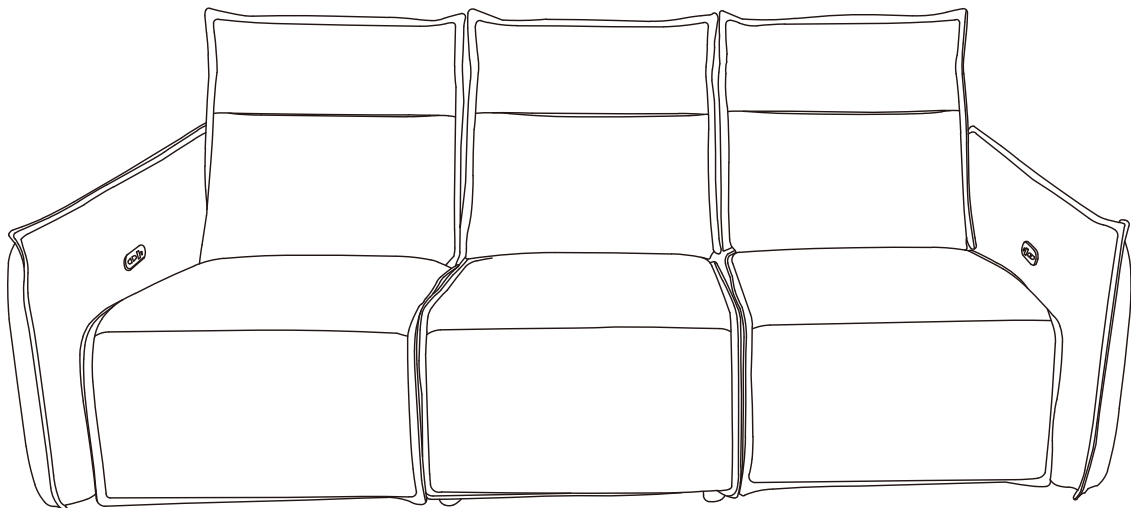
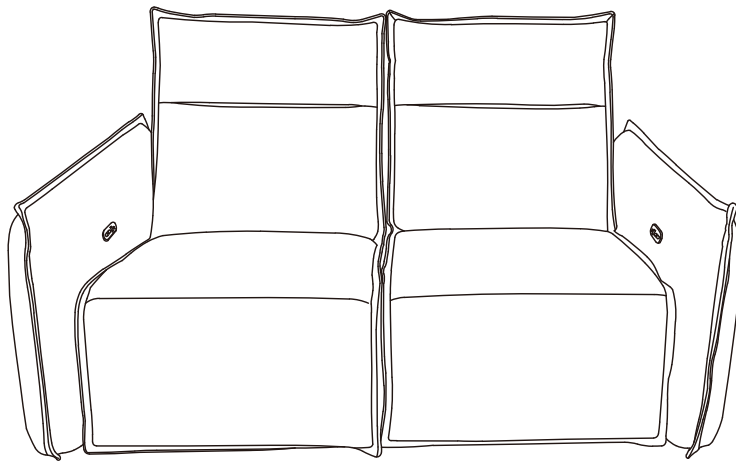
ID	Parts	QTY
2		1
5		1
10		1
11		1
B		4
D		1
E		1



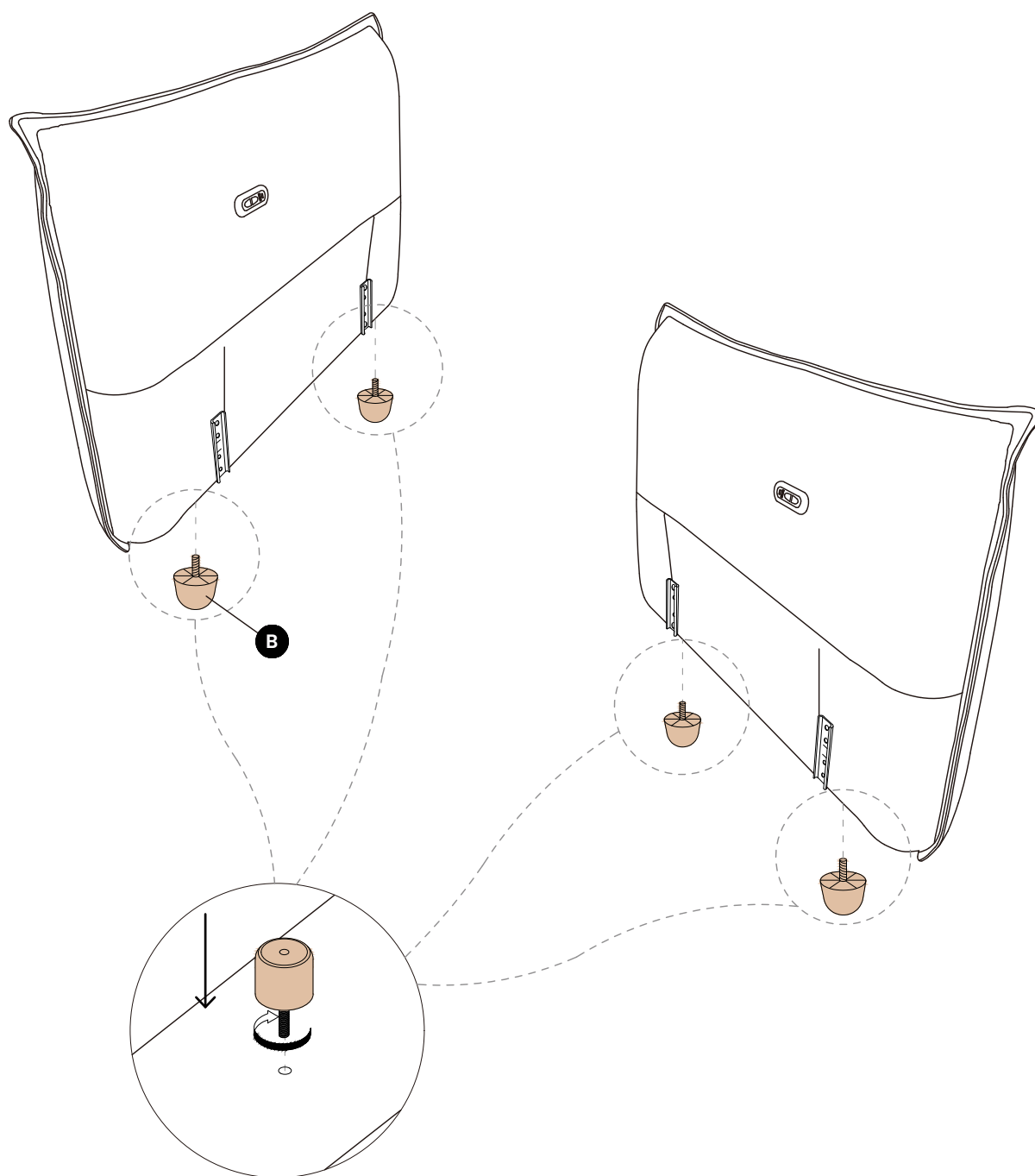
Multi-person installation

This product is shipped in multiple boxes.

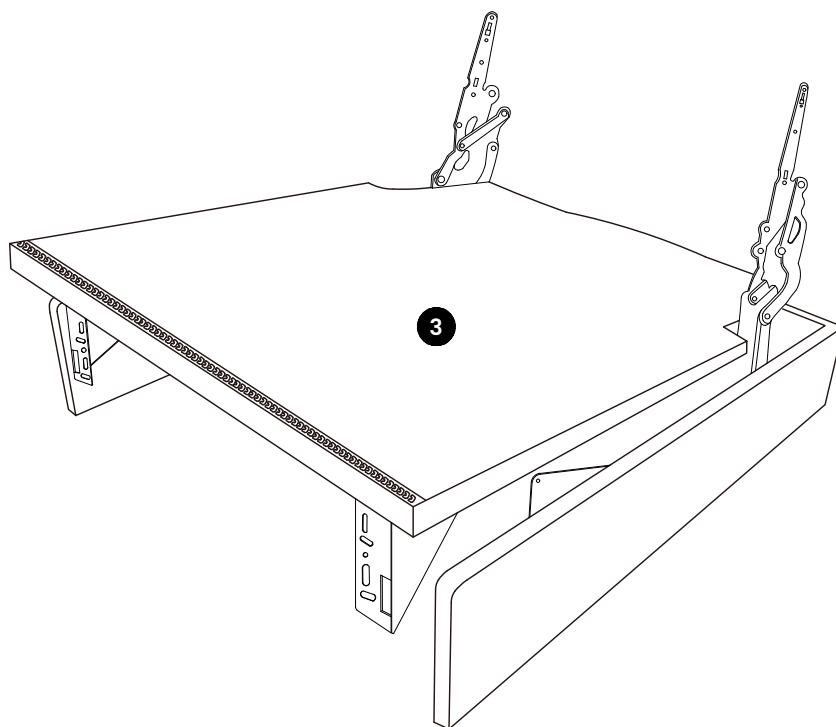
If you buy Loveseat Sofa, you will receive four boxes of A+B+D,
and if you buy 3-Seater Sofa, you will receive six boxes of A+B+C+D



STEP 1 — BOX D

**B** X4

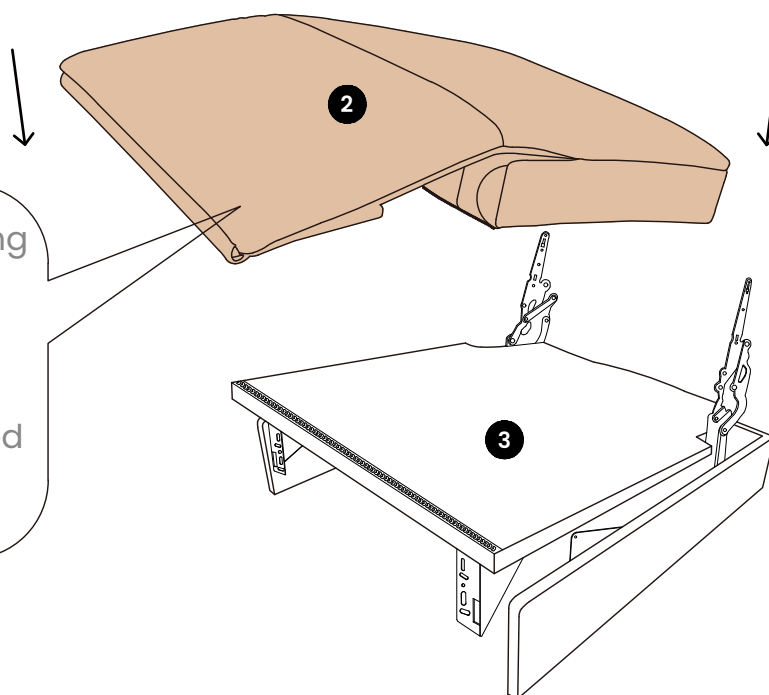
STEP 2 — BOX A(L)

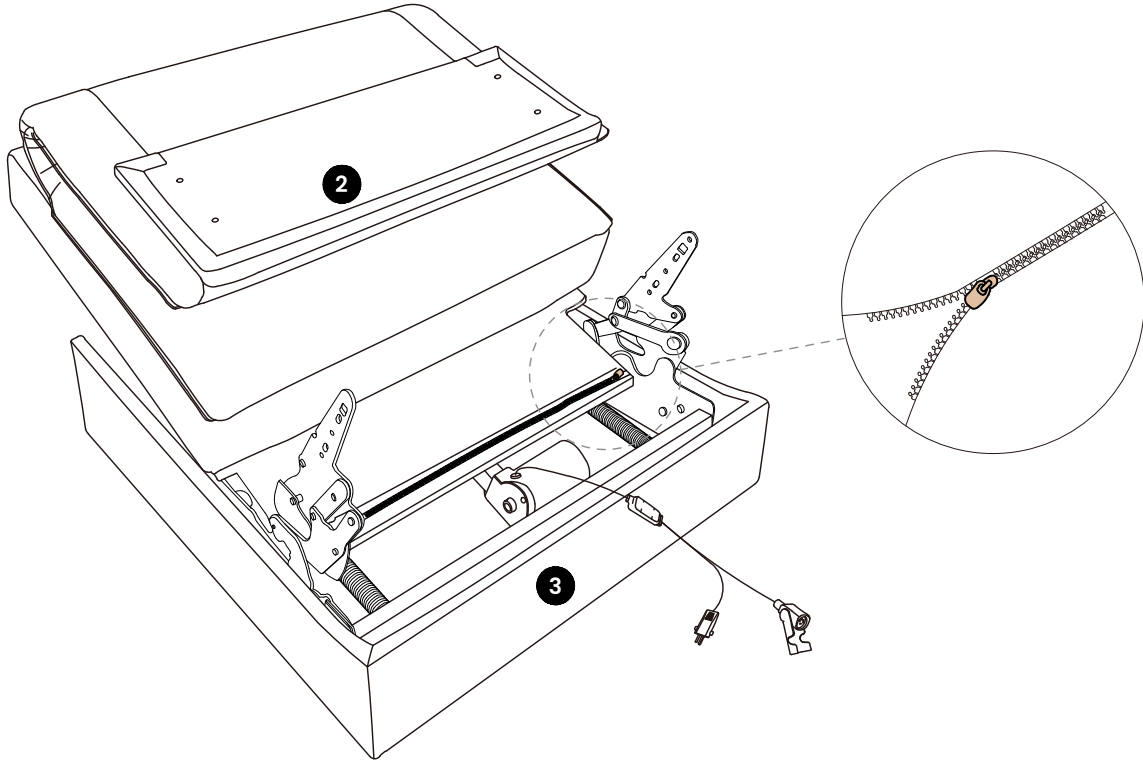
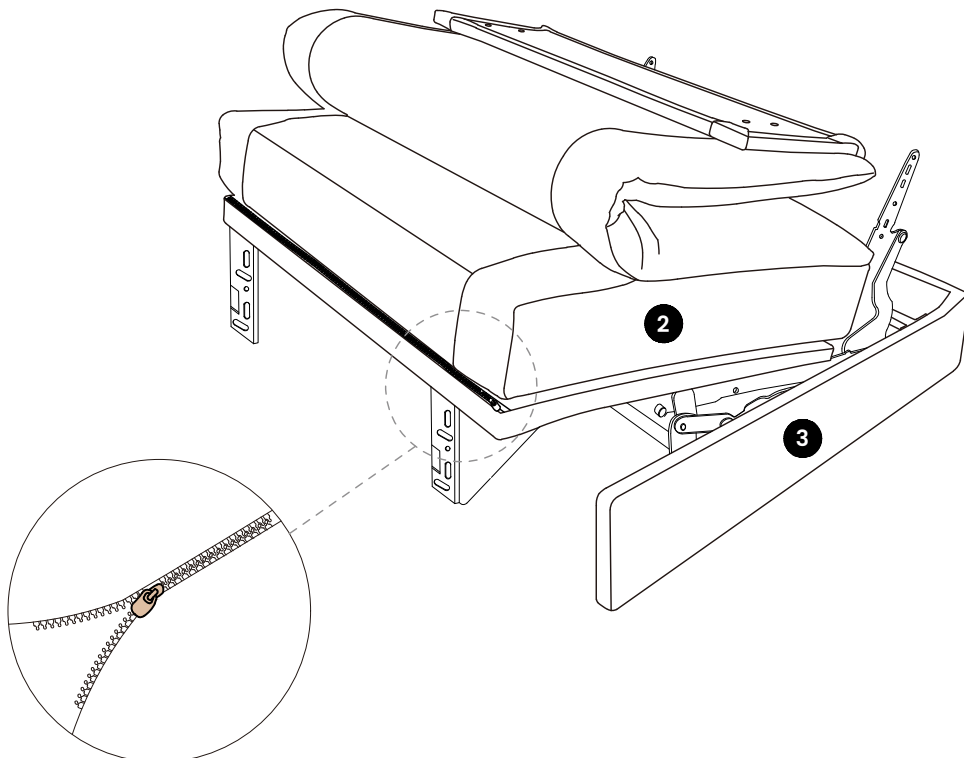


STEP 3



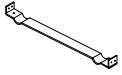
Note: Vacuum packaging may cause temporary wrinkles on the hidden sides of the cushion. This is normal and will not affect the assembled appearance or comfort of your sofa.

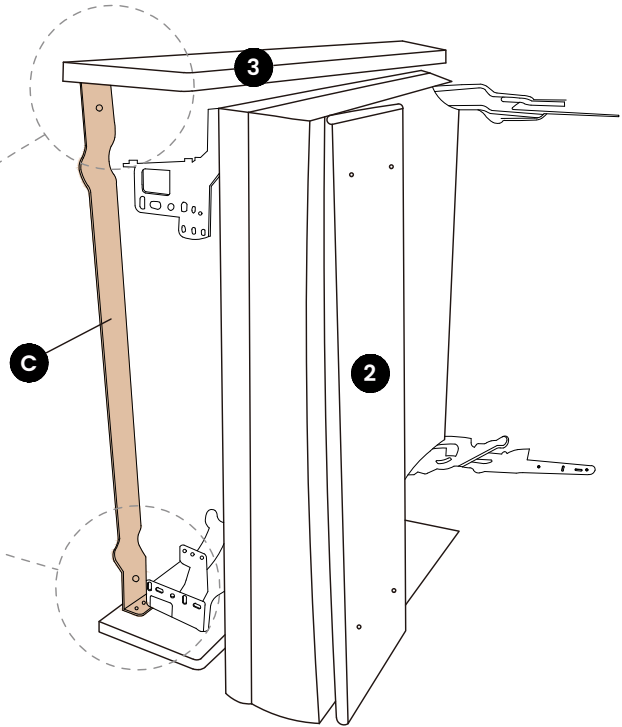
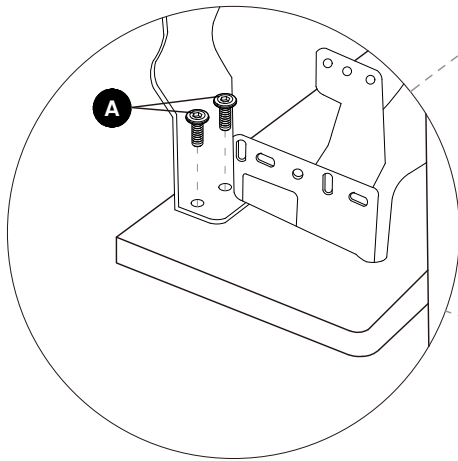


STEP 4 – BOX A(L)**STEP 5**

STEP 6 — BOX A(L)

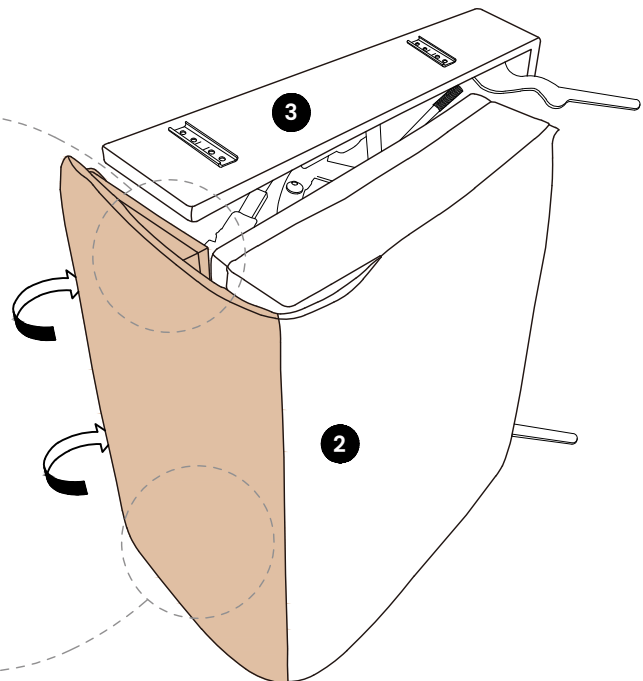
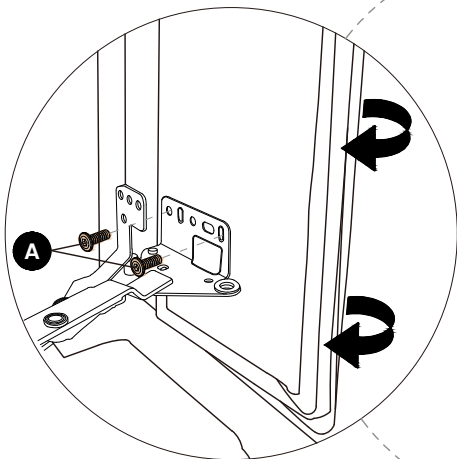
 **A** X4

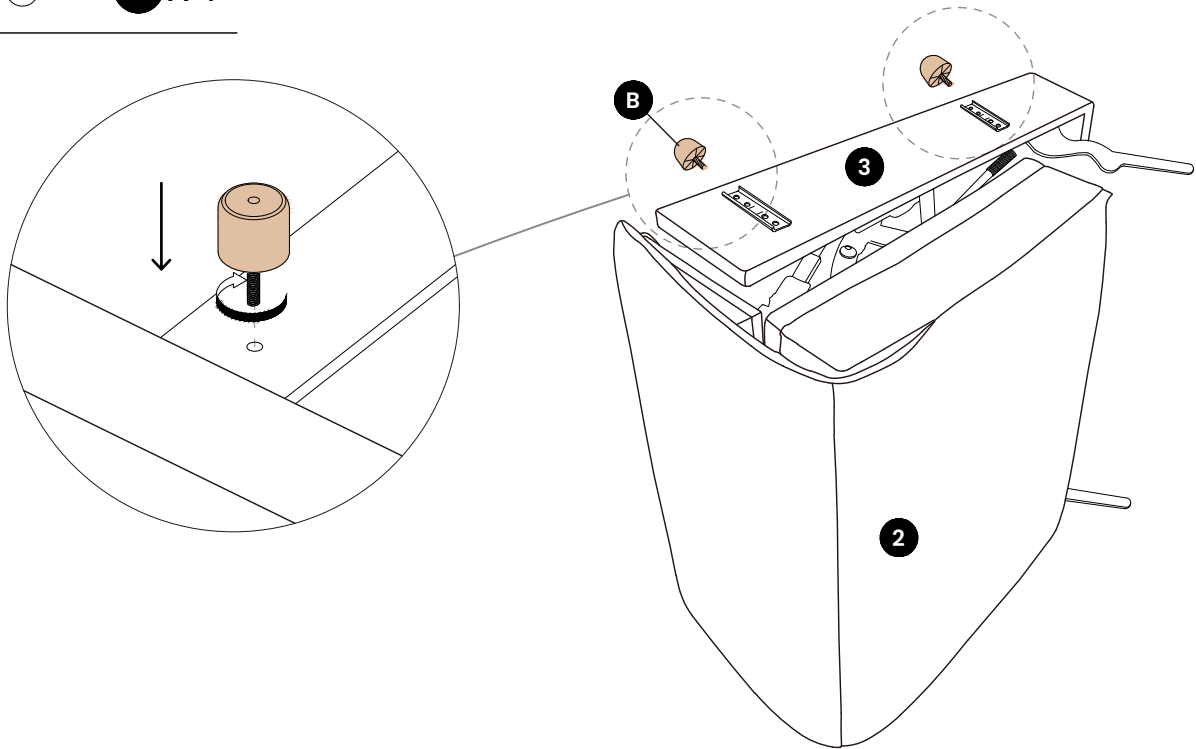
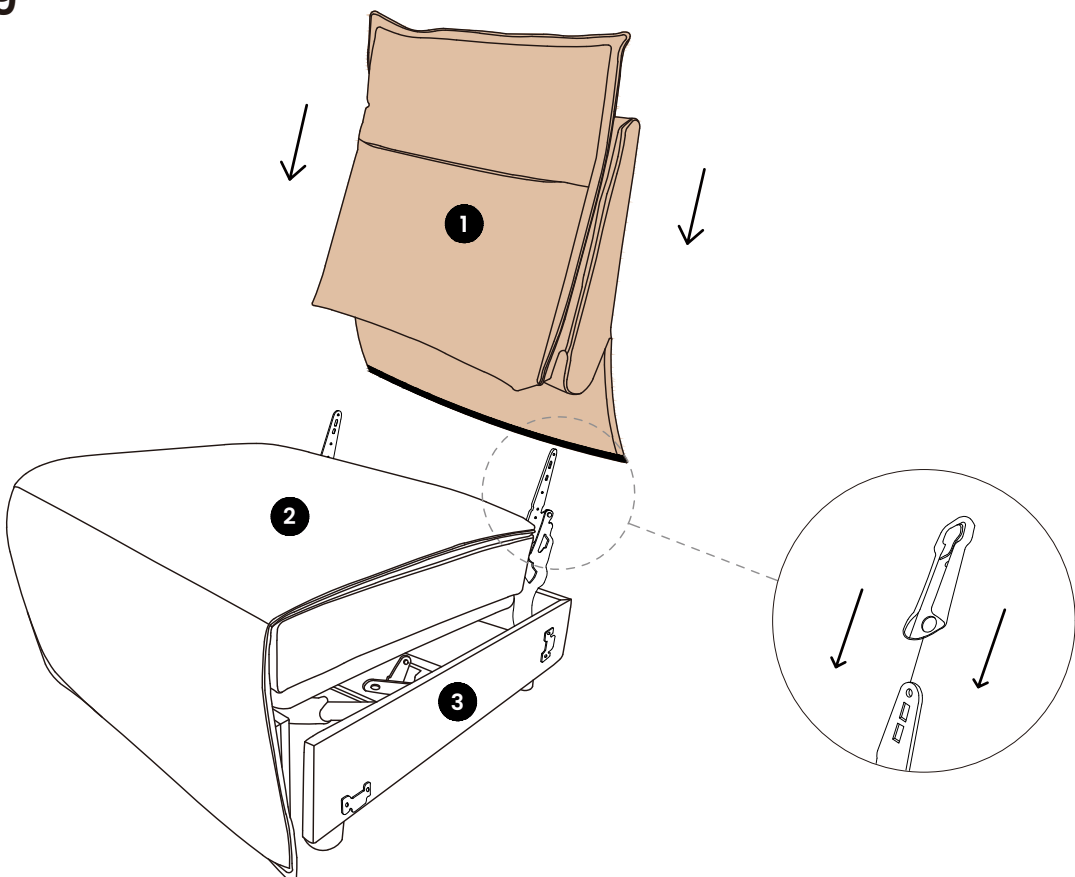
 **C** X1

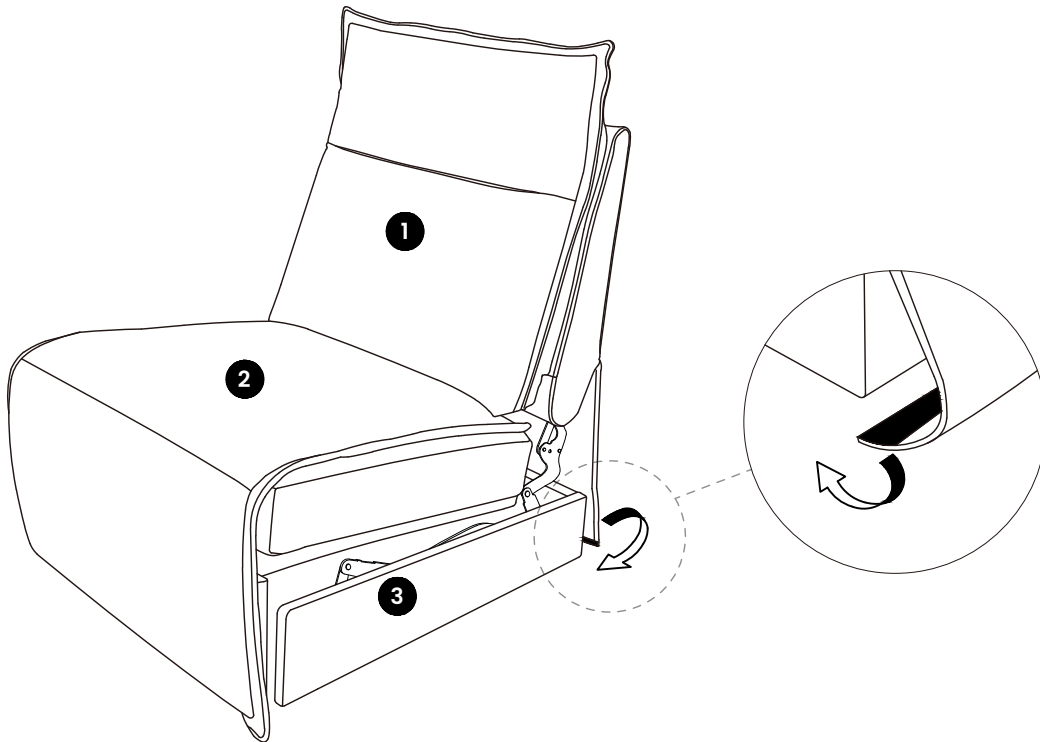
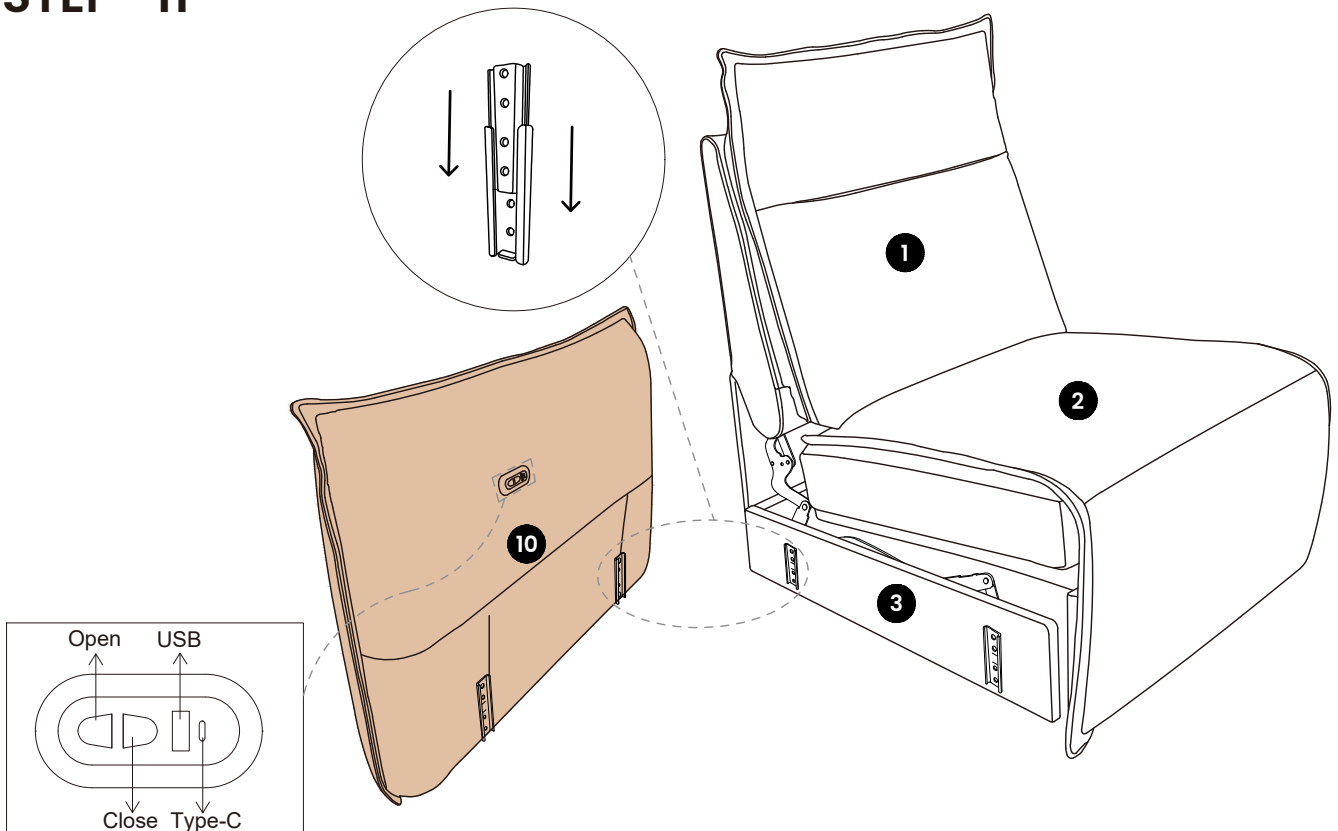


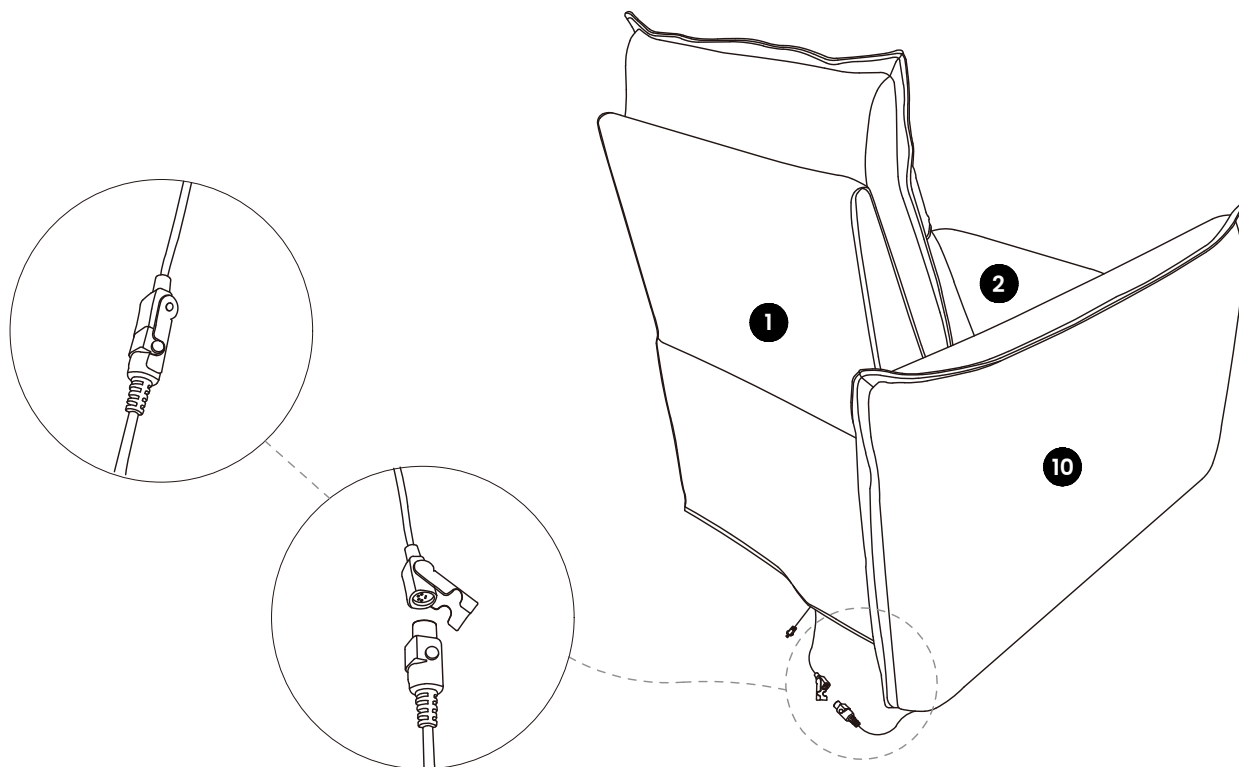
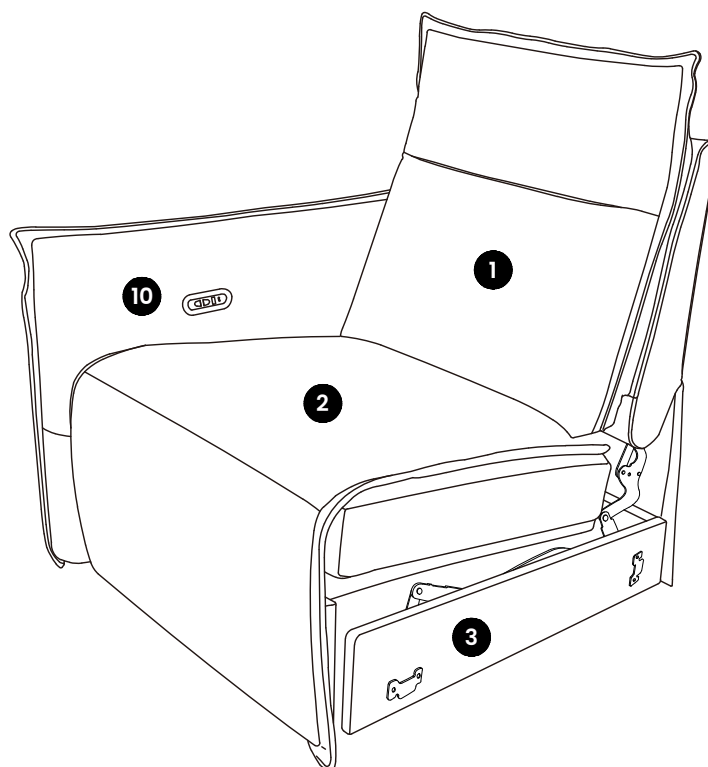
STEP 7

 **A** X4

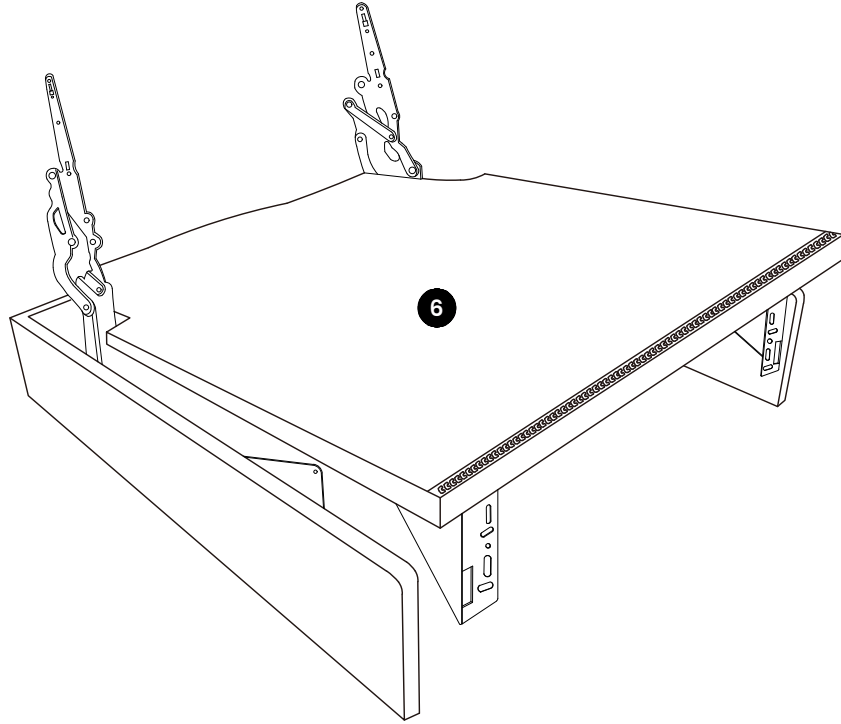


STEP 8 — BOX A(L)**B** X4**STEP 9**

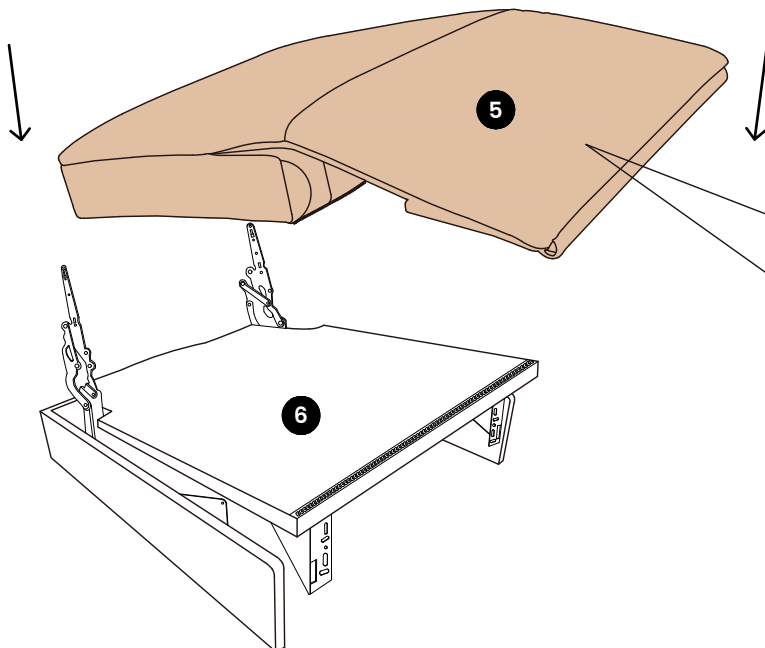
STEP 10 — BOX A(L)**STEP 11**

STEP 12 — BOX A(L)**STEP 13**

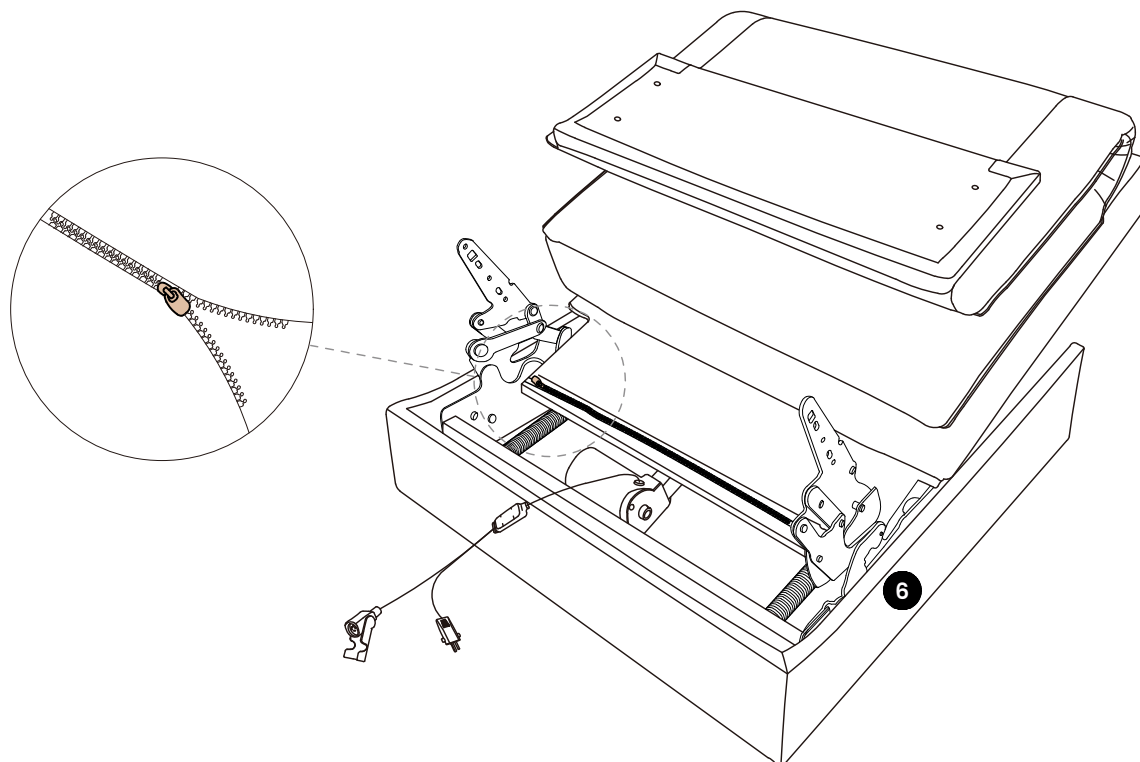
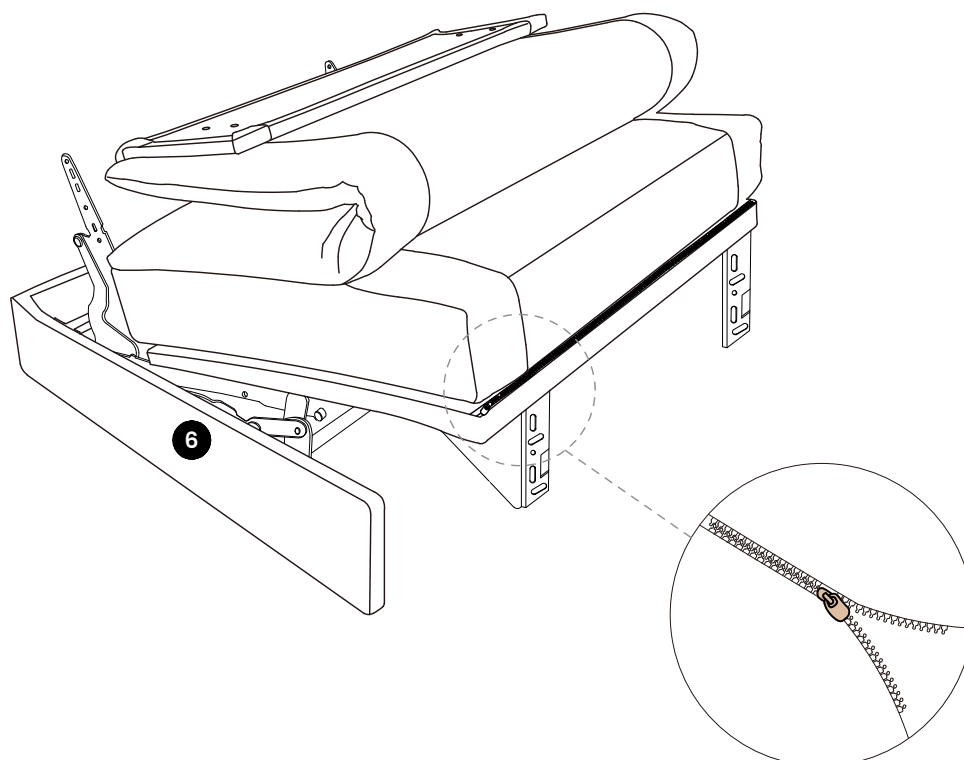
STEP 14 – BOX B(R)



STEP 15

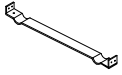


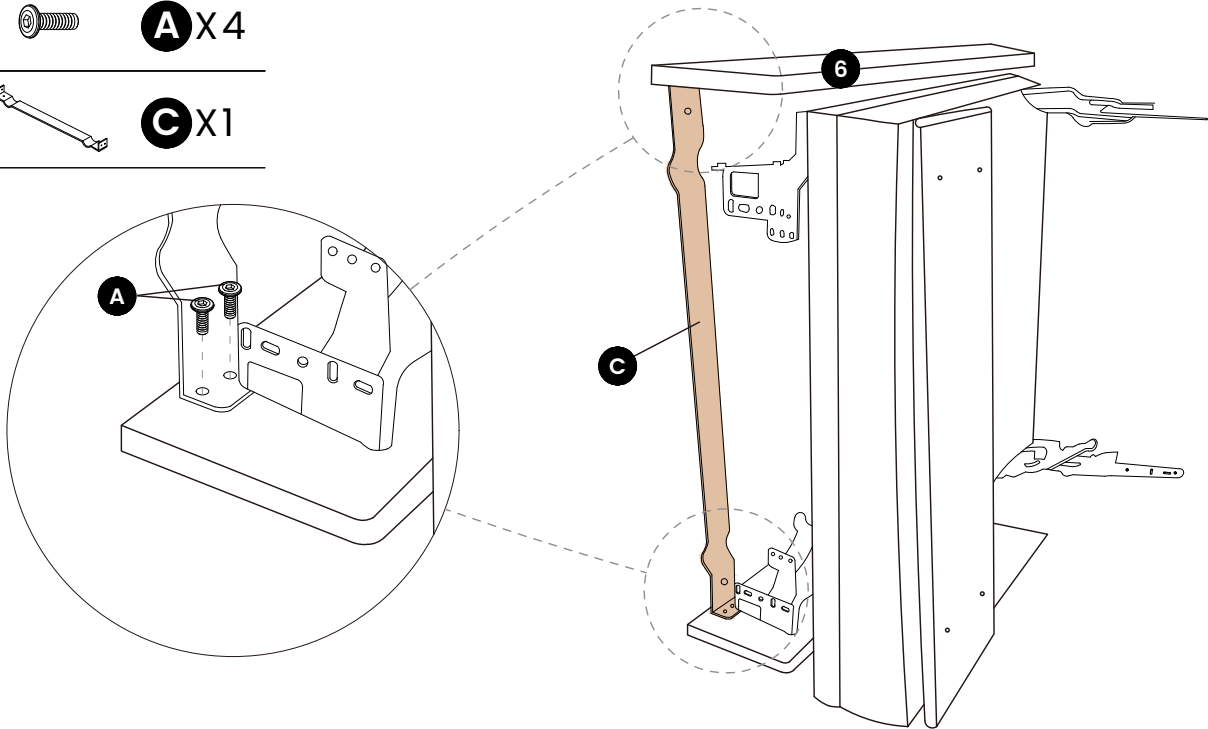
Note: Vacuum packaging may cause temporary wrinkles on the hidden sides of the cushion. This is normal and will not affect the assembled appearance or comfort of your sofa.

STEP 16 — BOX B(R)**STEP 17**

STEP 18 — BOX B(R)

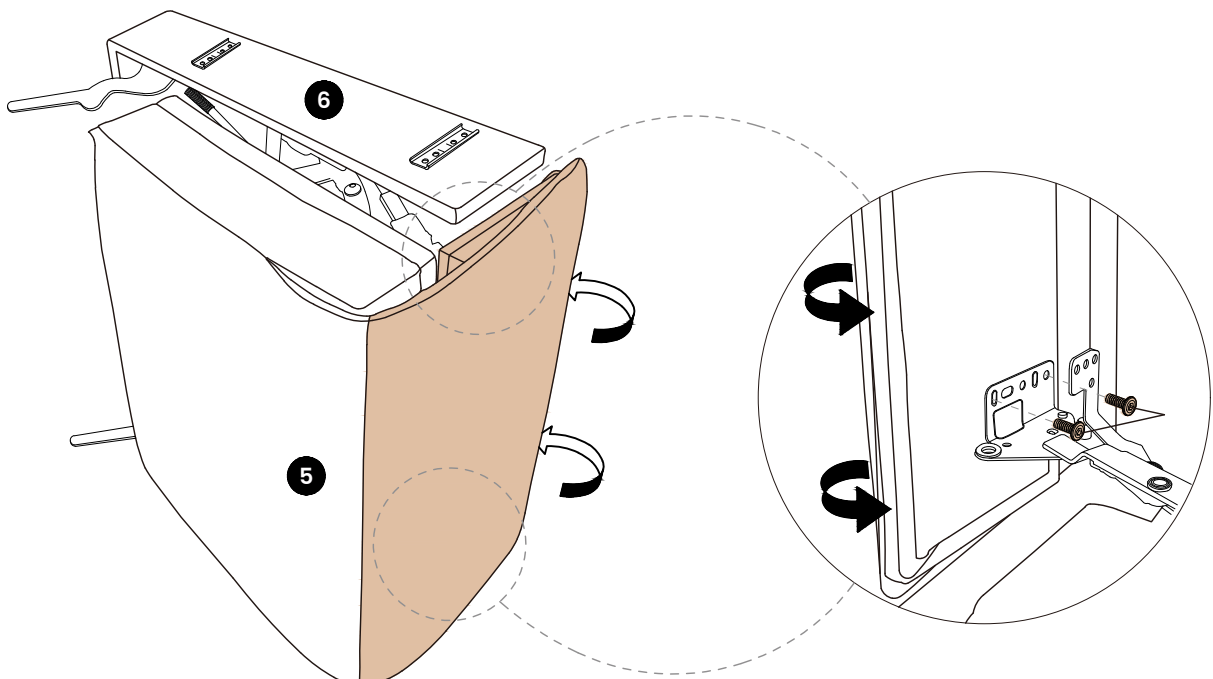
 **A** X4

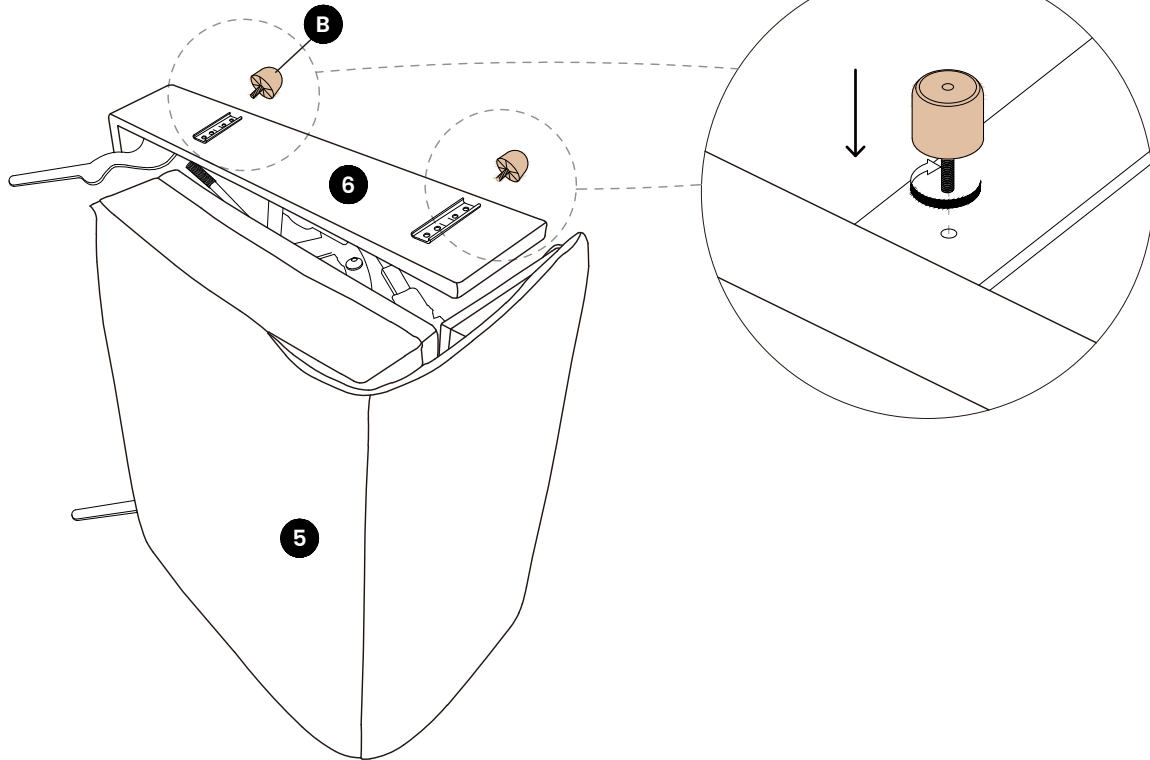
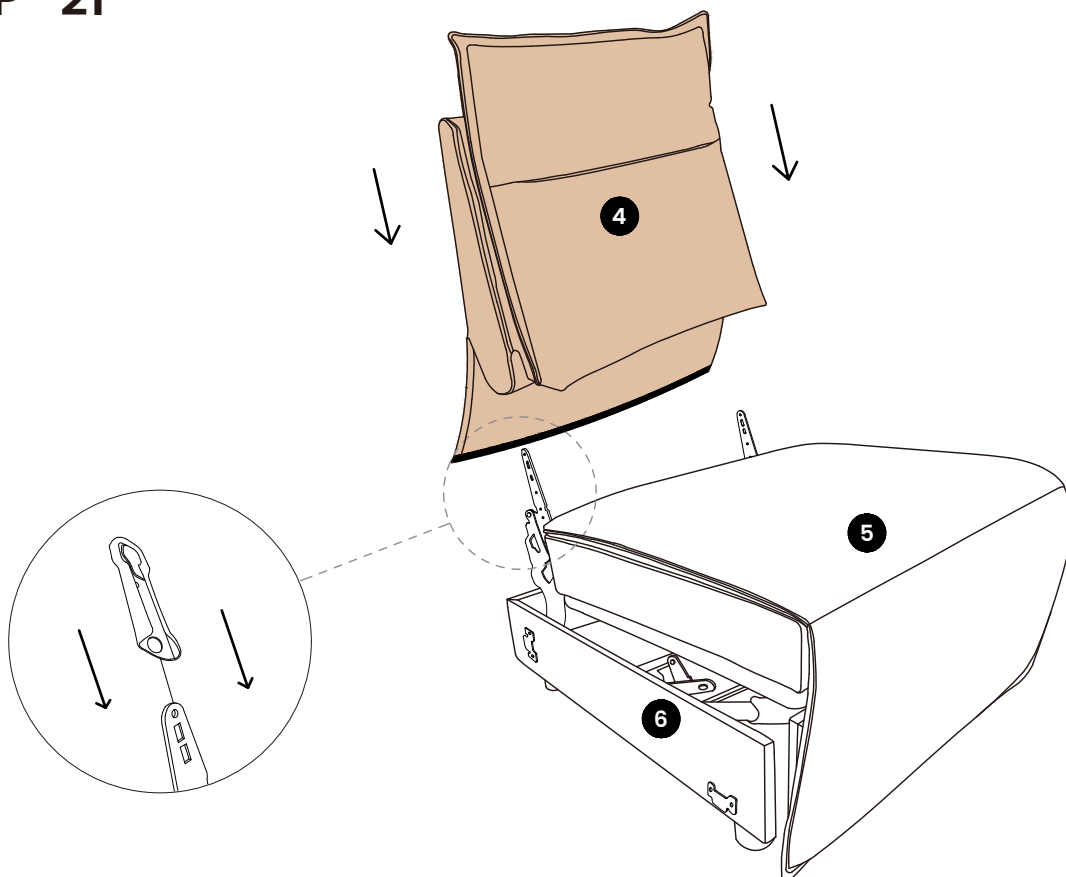
 **C** X1



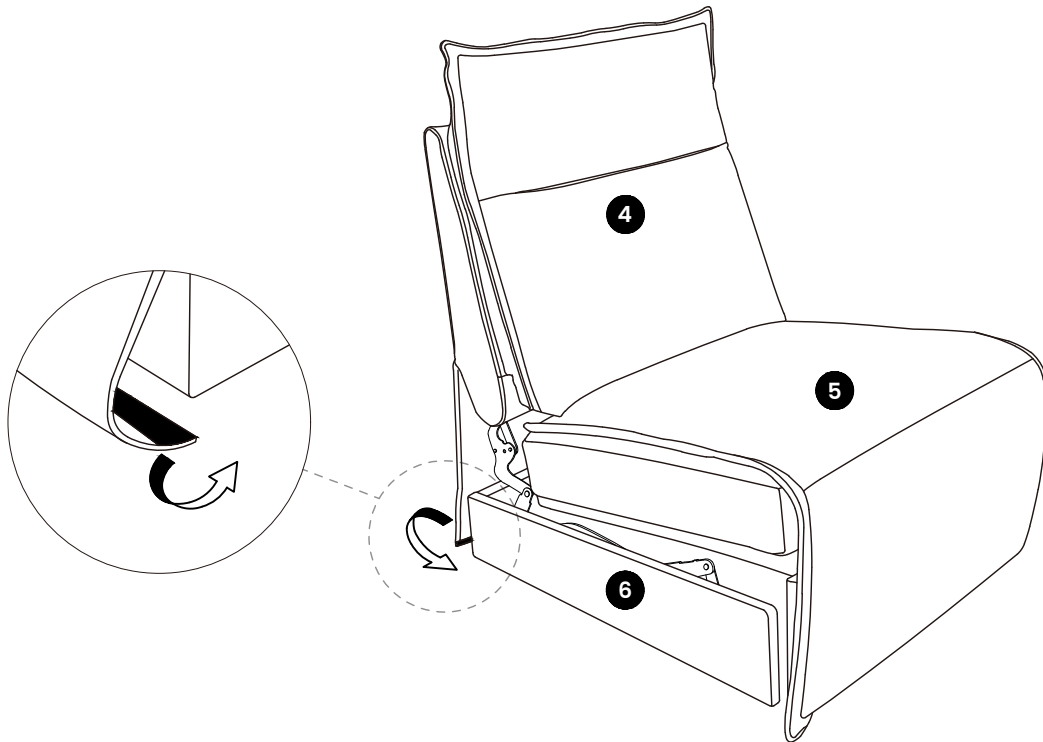
STEP 19

 **A** X4

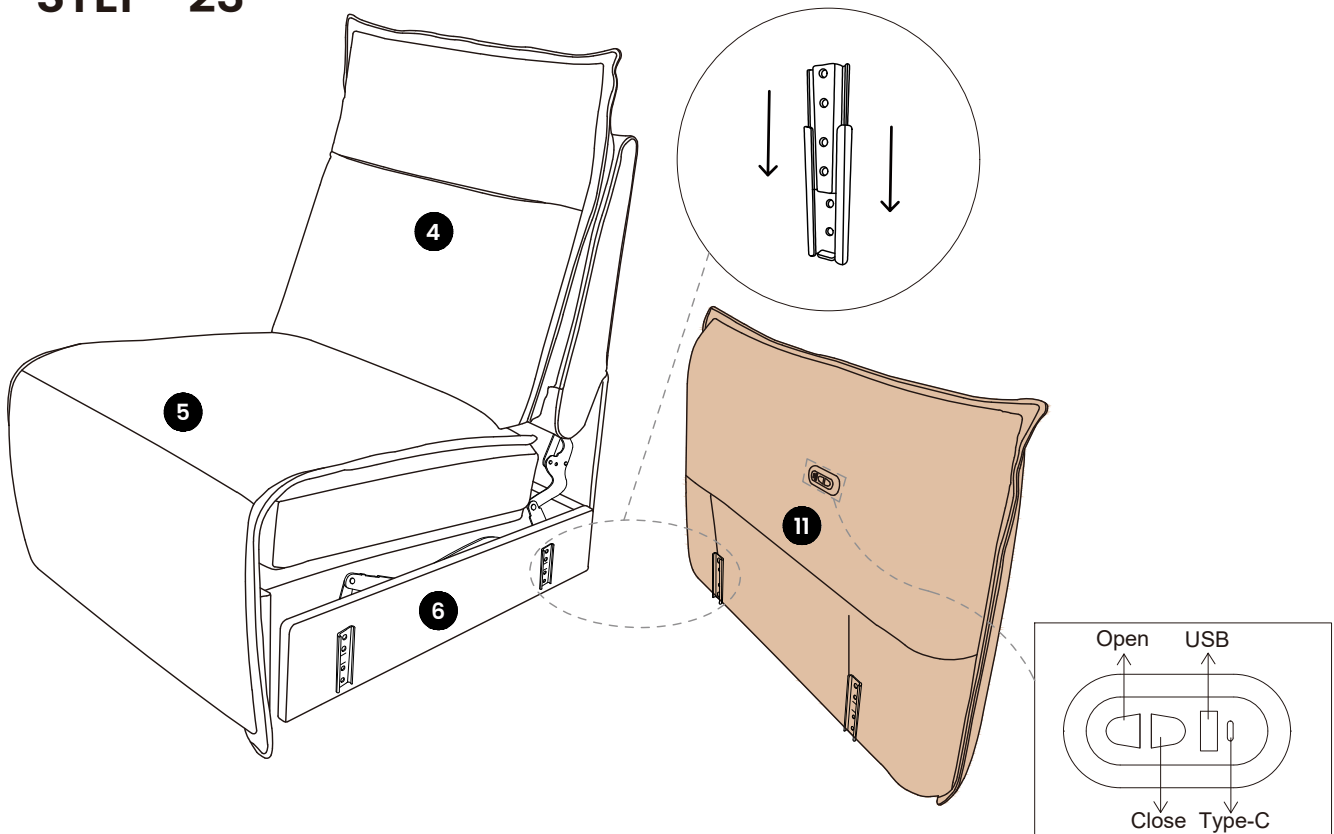


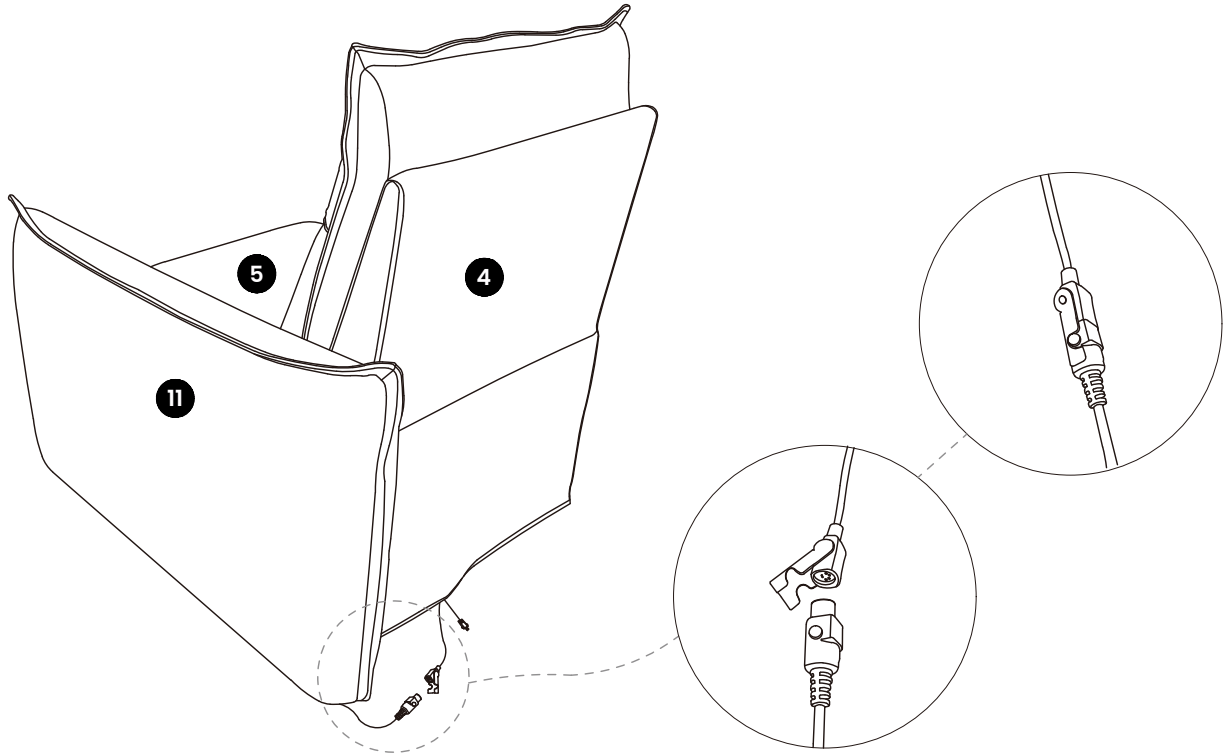
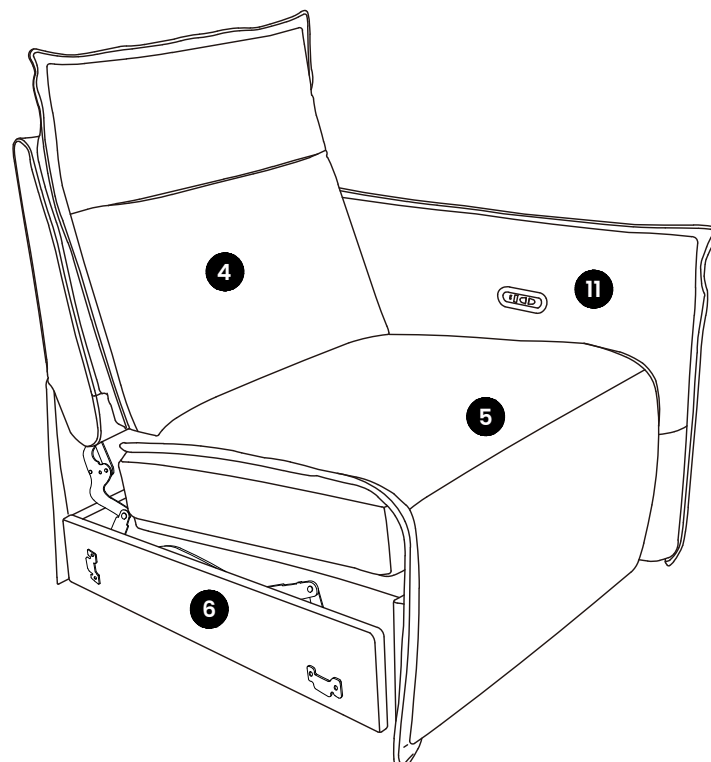
STEP 20 — BOX B(R)**B** X4**STEP 21**

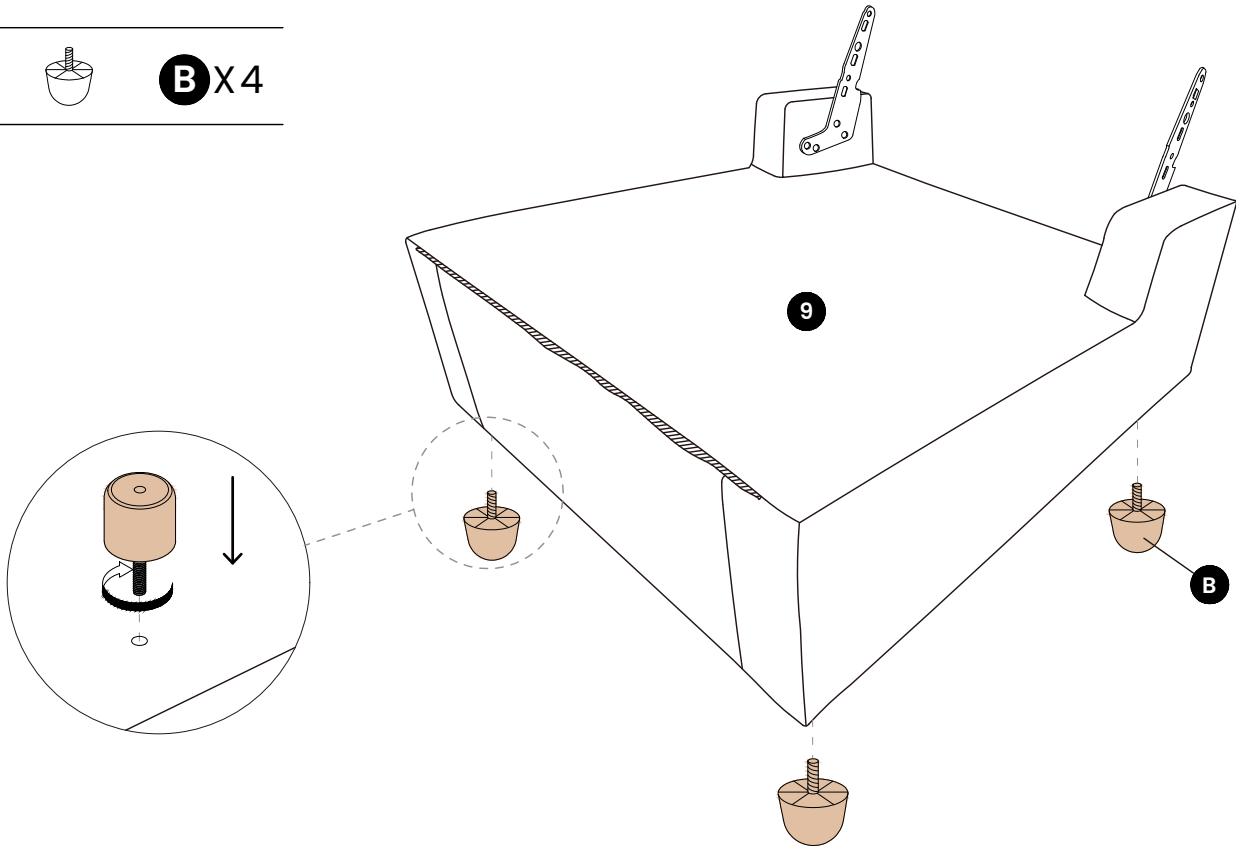
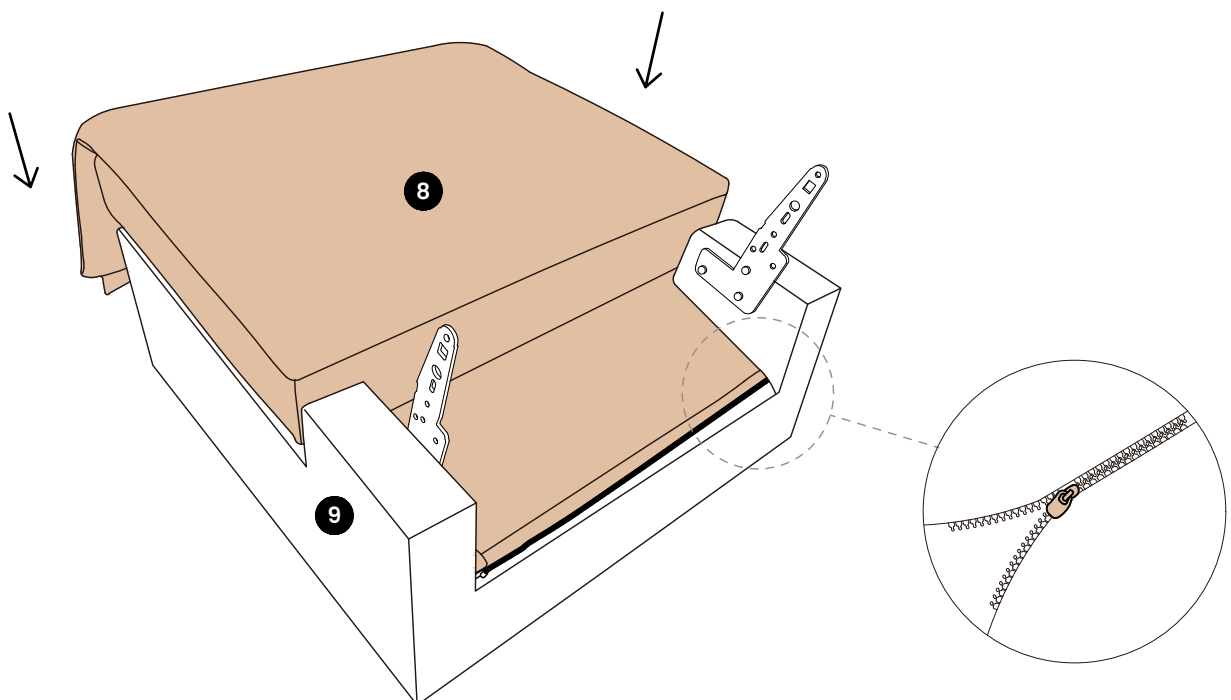
STEP 22 — BOX B(R)

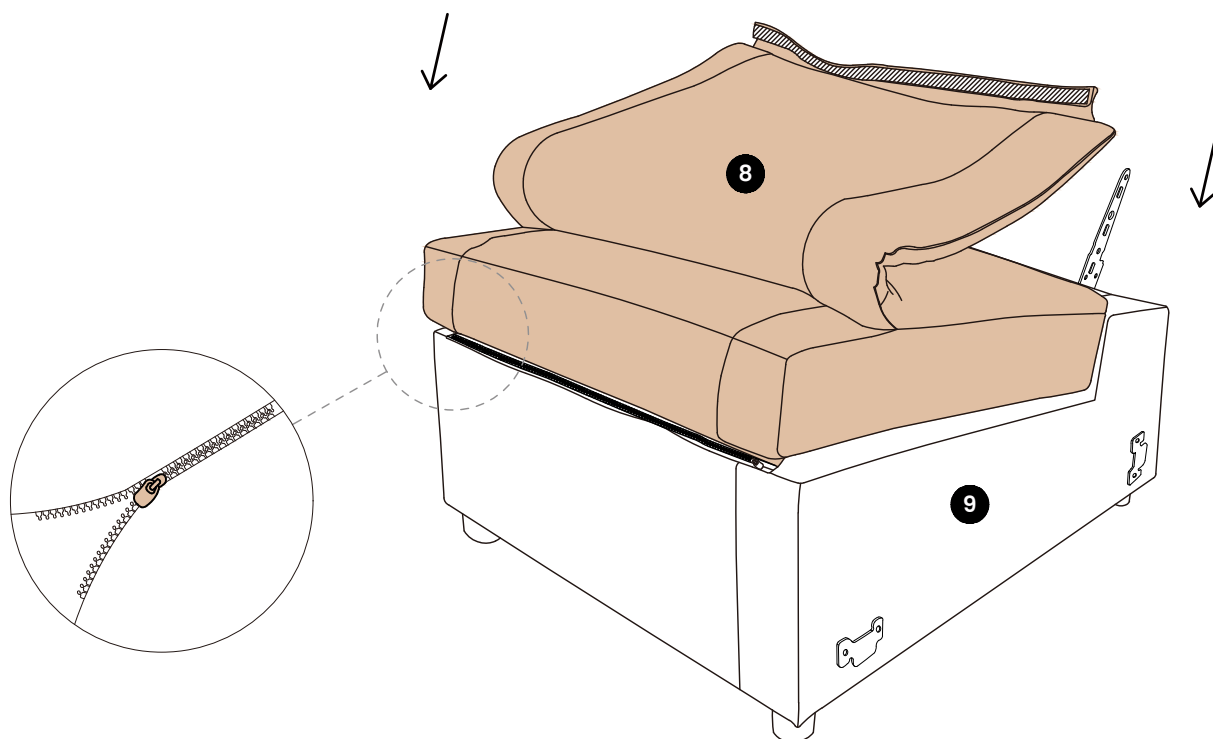
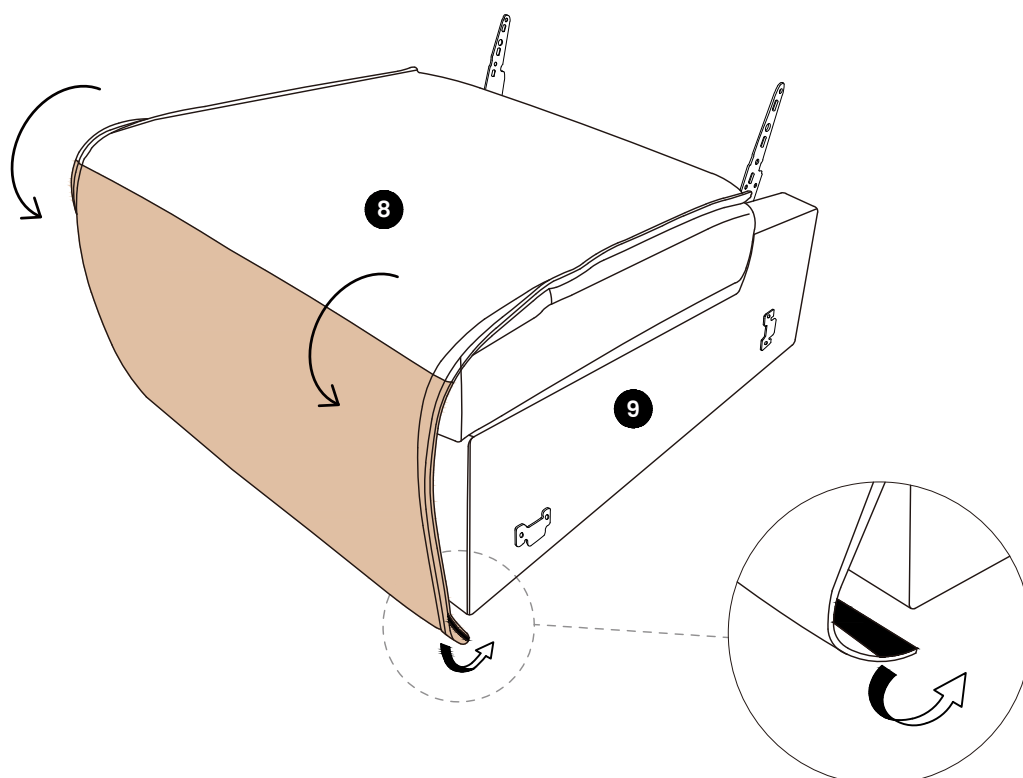


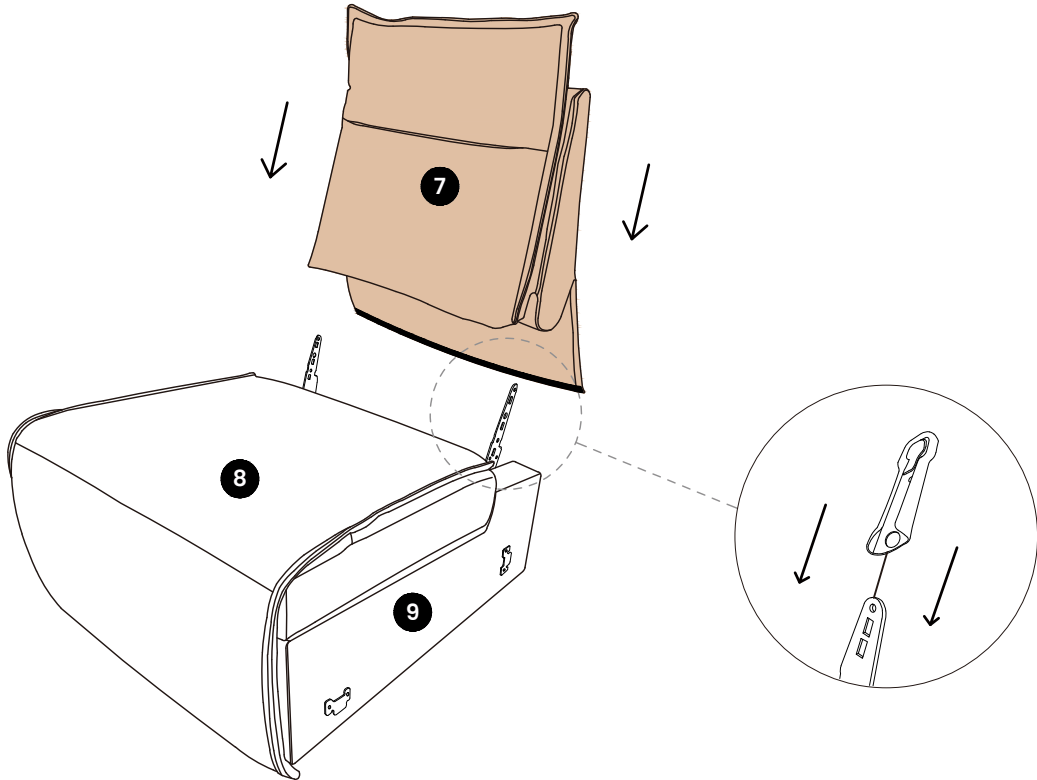
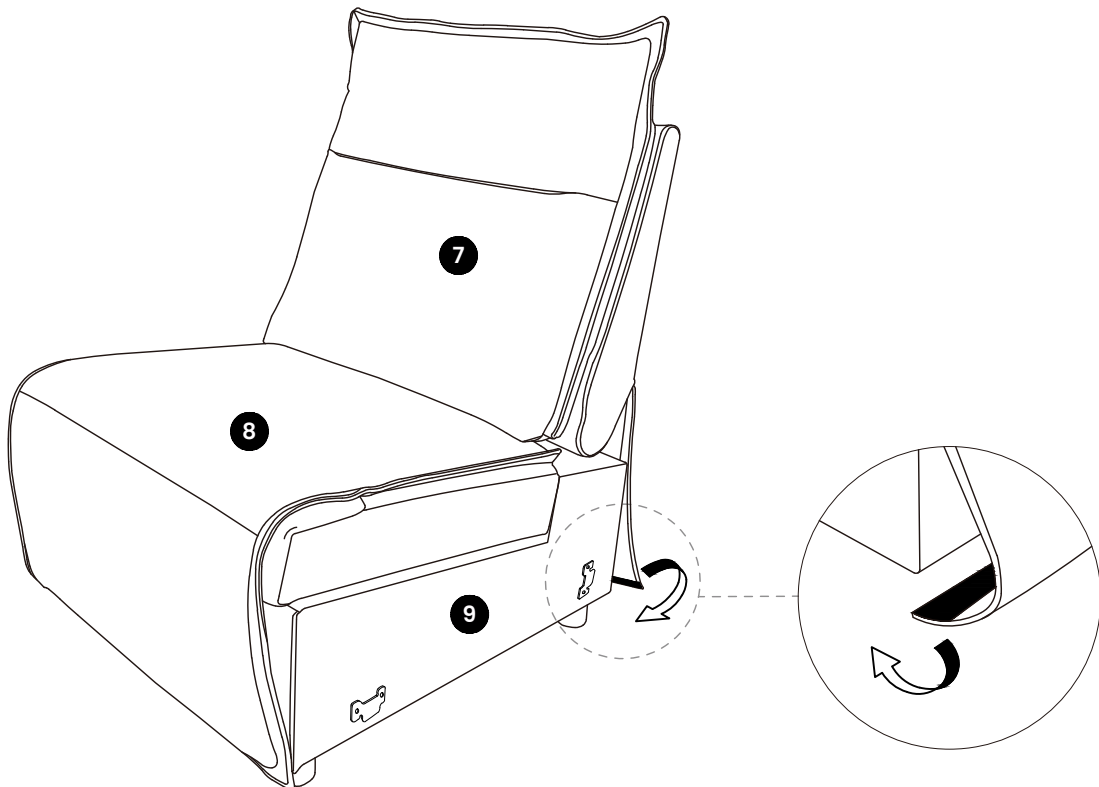
STEP 23



STEP 24 – BOX B(R)**STEP 25**

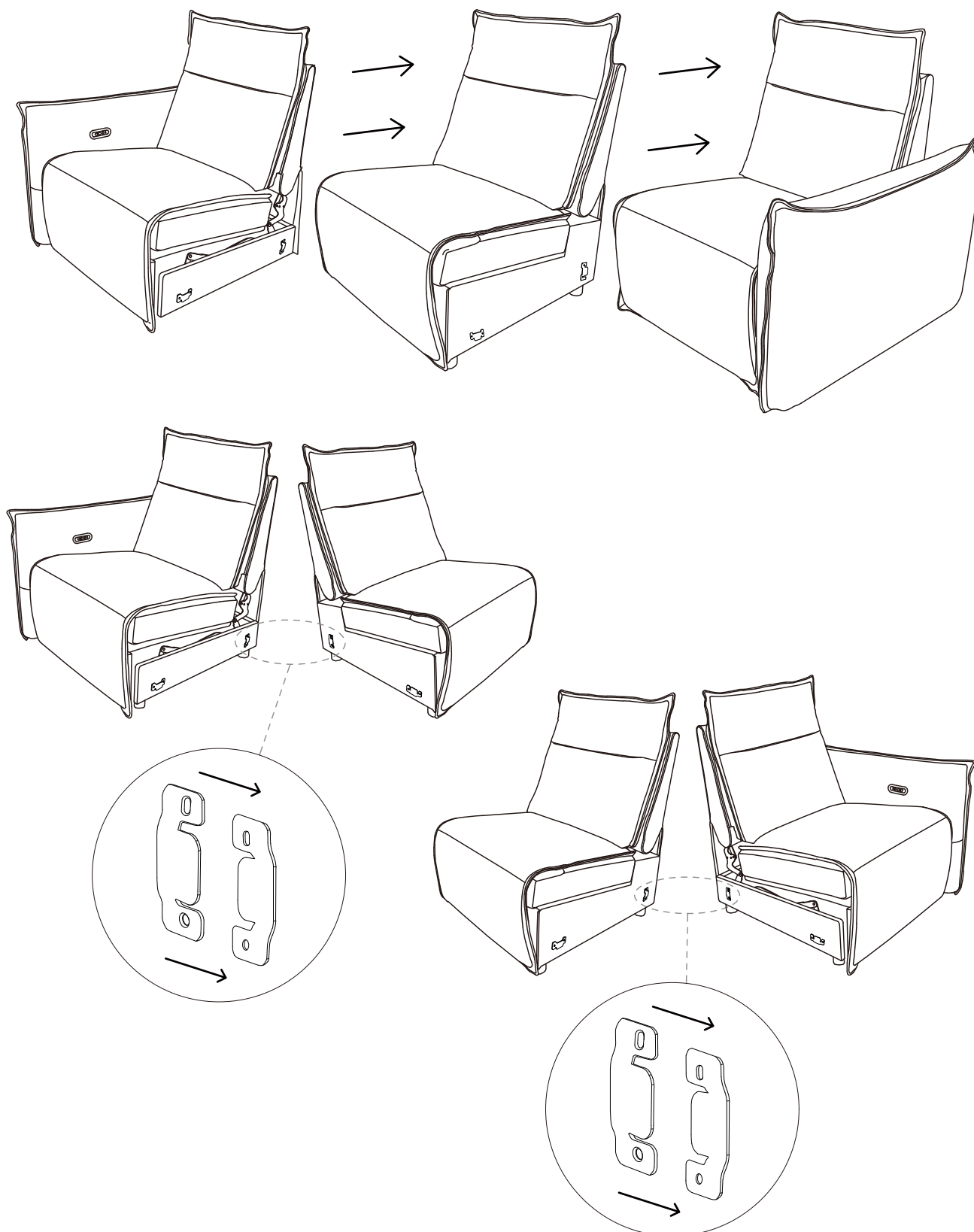
STEP 26 – BOX C**B** X4**STEP 27**

STEP 28 — BOX C**STEP 29**

STEP 30 — BOX C**STEP 31**

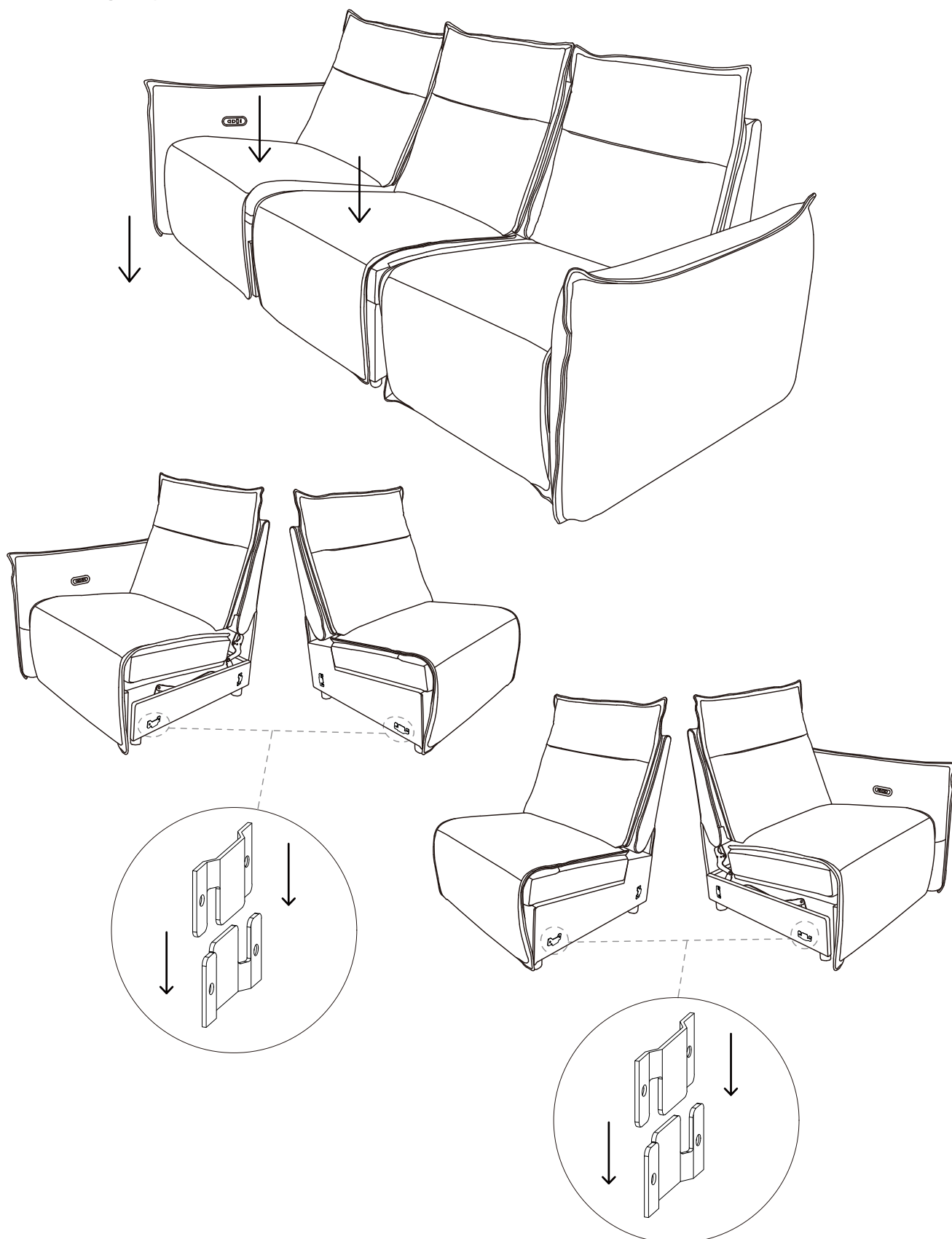
STEP 32

To connect the sofas together, the first step is to install the functional inserts as follows.



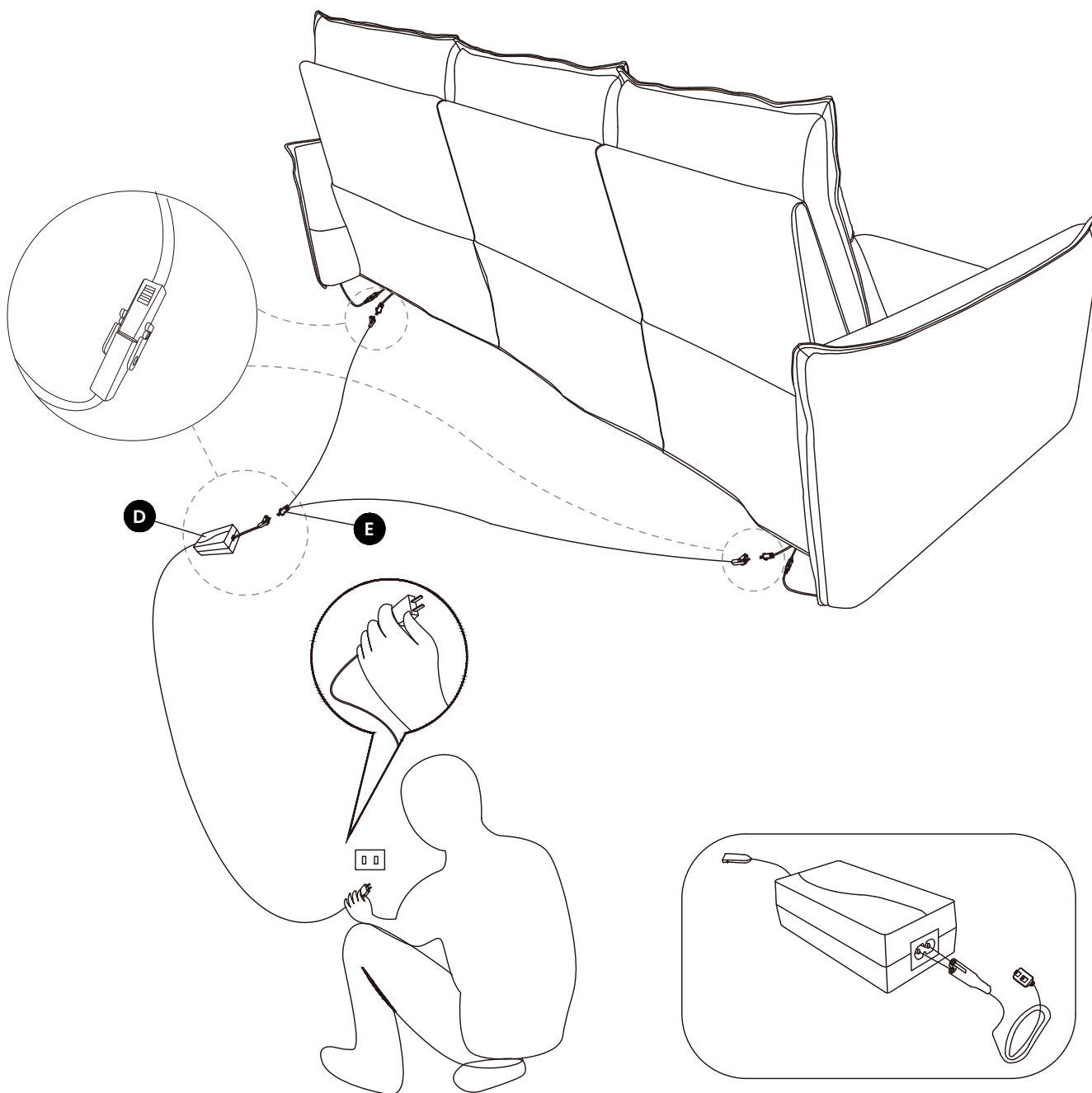
STEP 33

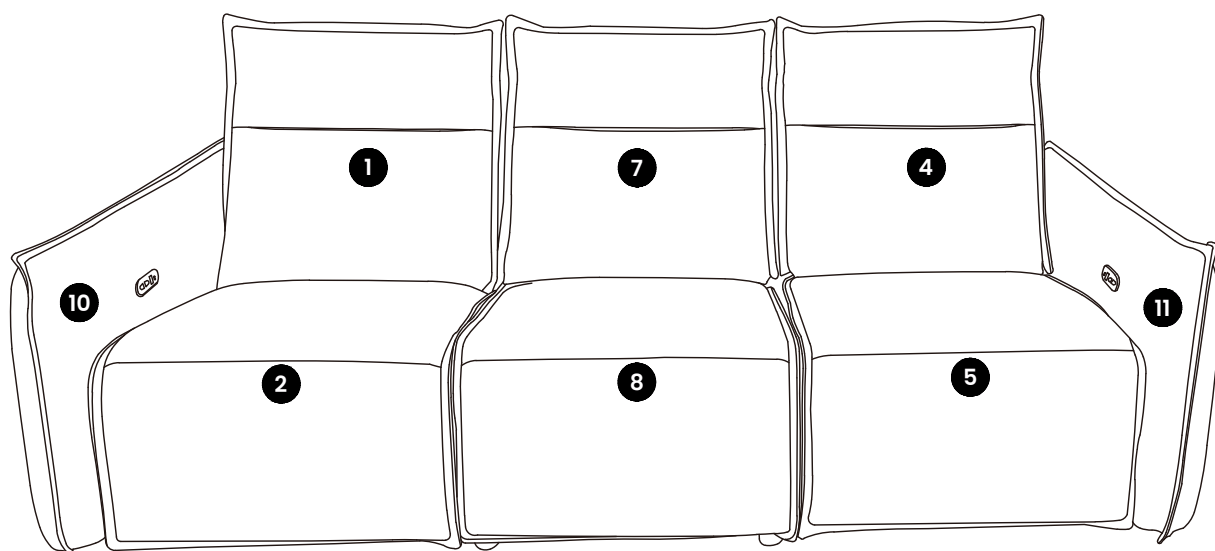
Connect the sofas together; the second step, inserting the functional parts, requires the following steps.



STEP 34

After assembling the sofa, connect the power supply.



STEP 35

Fabric Sofa Care Guide

Air-Drying Care: Refresh with Moderate Sunlight

- **Moisture Risk:** Prolonged exposure to damp conditions can lead to mildew growth and musty odors.
- **Regular Air-Drying:** On a sunny day, air the sofa outside once a month. In arid climates, doing this every 2–3 months is sufficient.
- **Sunlight Caution:** Avoid excessive sun exposure, as it can cause the fabric to fade and weaken the fibers.

Cleaning Care: Keep Your Sofa Fresh **【If applicable】**

- If the sofa cover is removable (check product specifications—some designs are non-removable), machine wash it on a gentle cycle using a mild detergent in cold water (below 86°F). Do not spin-dry; however, a short dehydration cycle of 1–2 minutes is acceptable. Reattach the cover promptly after drying to prevent fabric shrinkage.

With proper care, your sofa will stay soft and cozy for years.

If you have any questions, please feel free to reach out to our customer service team!