



# SPECIFICATIONS

## COS-GRP486G Gas Range



<b>Size</b>	48 Inch / 6.6 cu. ft. Capacity (Total)
<b>Fuel</b>	Gas
<b>Installation</b>	Freestanding / Slide-In
<b>Controls</b>	Full Metal Knobs
<b>Oven</b>	Convection / Standard Bake
<b>Material</b>	304-Grade Stainless Steel
<b>Electrical</b>	120V / 60Hz, 8.37A
<b>Racks</b>	4 Racks, 5 Positions
<b>Oven Functions</b>	Bake, Broil, Convection Bake, Convection Roast
<b>Burners</b>	<ul style="list-style-type: none"><li>• 20,000 BTU (x2)</li><li>• 12,000 BTU (x2)</li><li>• 9,000 BTU (x2)</li><li>• 6,000 BTU (x2)</li><li>• Main Bake Burner / 22,000 BTU</li><li>• Secondary Bake Burner / 14,000 BTU</li><li>• Broil Burner / 10,000 BTU</li></ul>

### COS-GRP486G

Transform the way you cook with Cosmo's COS-GRP486G Gas Range. Cook a variety of different foods using the sealed, Italian-made 8 burner cooktop and double ovens with 4 functions. Equipped with LED panel lighting.

### Features

- Designed for freestanding or slide-in
- 8 Italian-made sealed burners & griddle attachment
- Main: 4.3 cu. ft. convection oven
- Second: 2.3 cu. ft. standard bake
- 4 oven functions & oven light
- Oven cavity ventilation system for safe heat dissipation
- Solid Metal Knobs
- LED panel lighting



Griddle Attachment



Metal Knobs



Cast Iron Grates



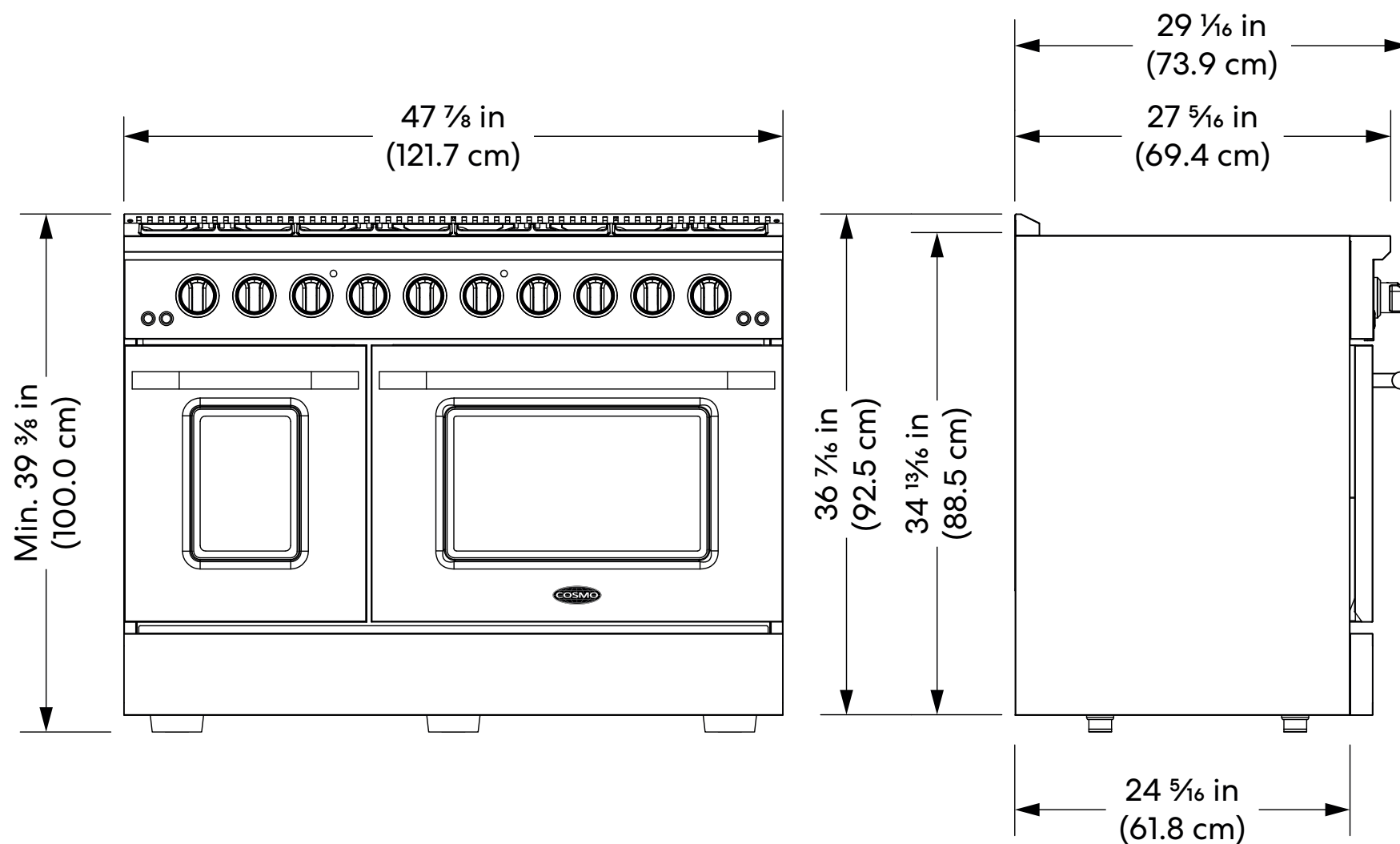
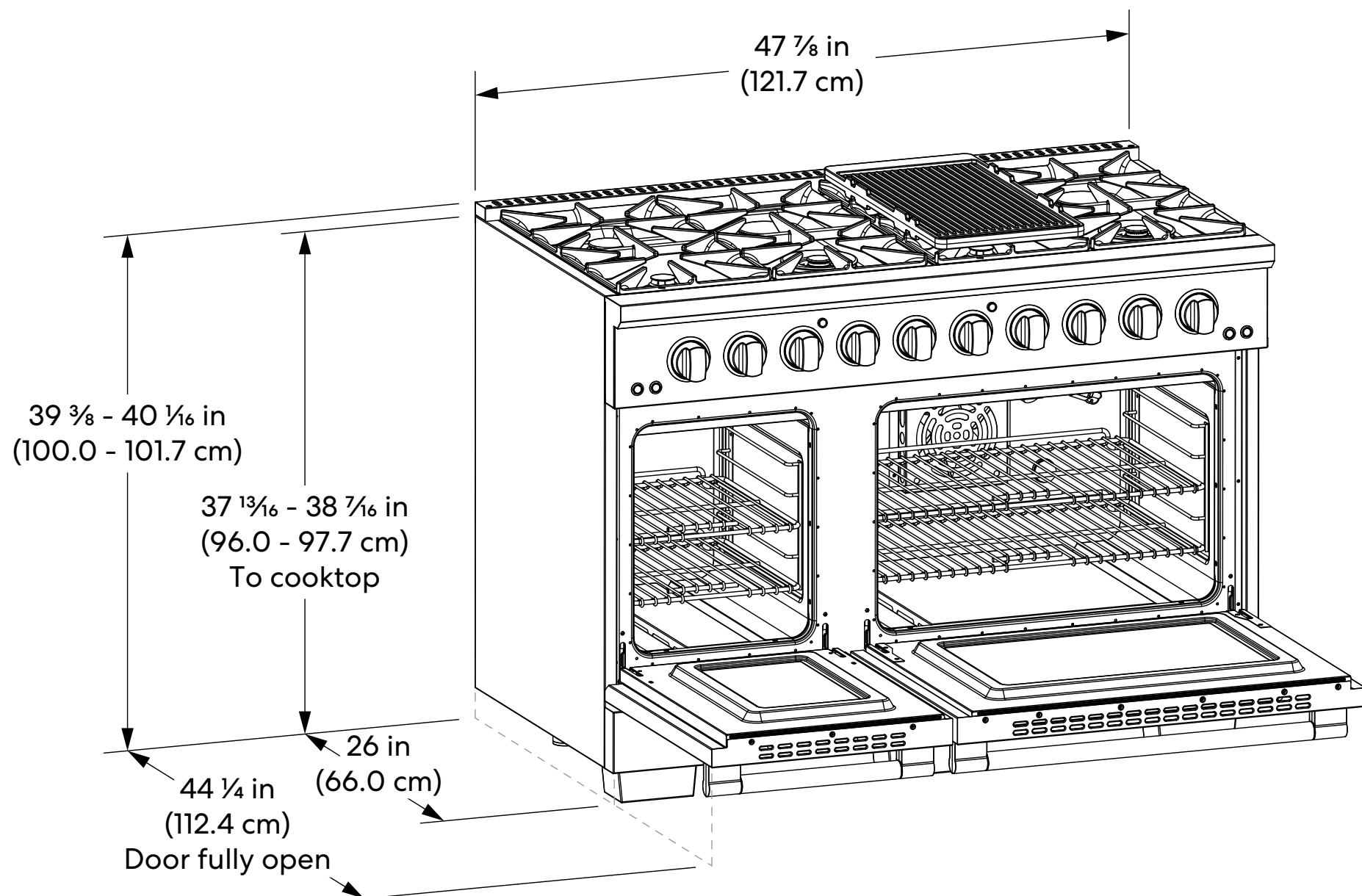
See Page 2 for dimensions

For more information, please visit: [www.cosmoappliances.com](http://www.cosmoappliances.com)



# DIMENSIONS

## COS-GRP486G Gas Range



Dimensions (WxDxH): 47.9" x 27.8" x 39.4-40"