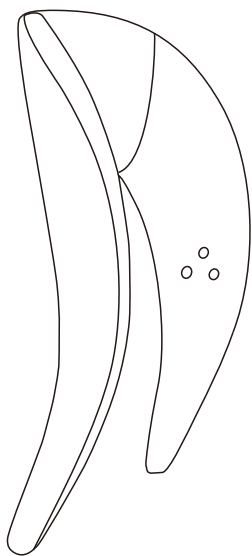
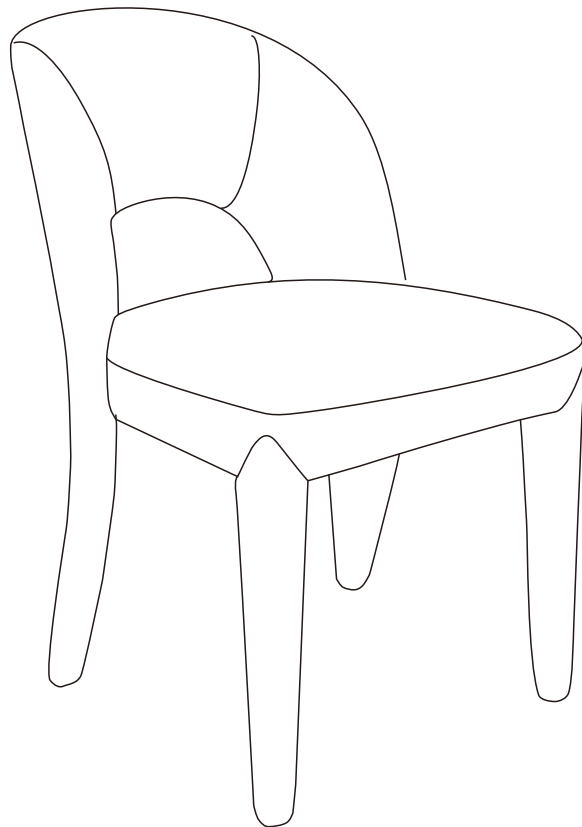
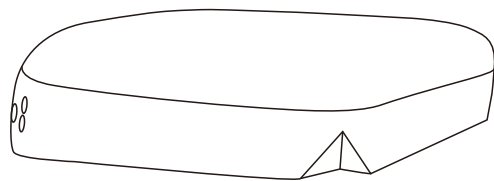


Installation & Assembly



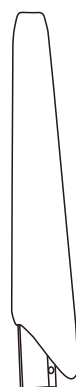
①



②



③



④

A



M8*60mm
x4

B



M8*50mm
x6

C



x1

D



x10

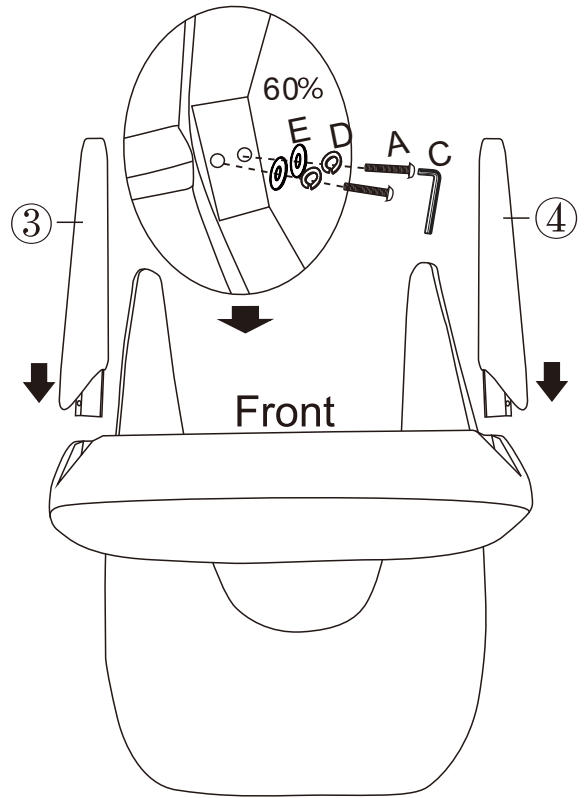
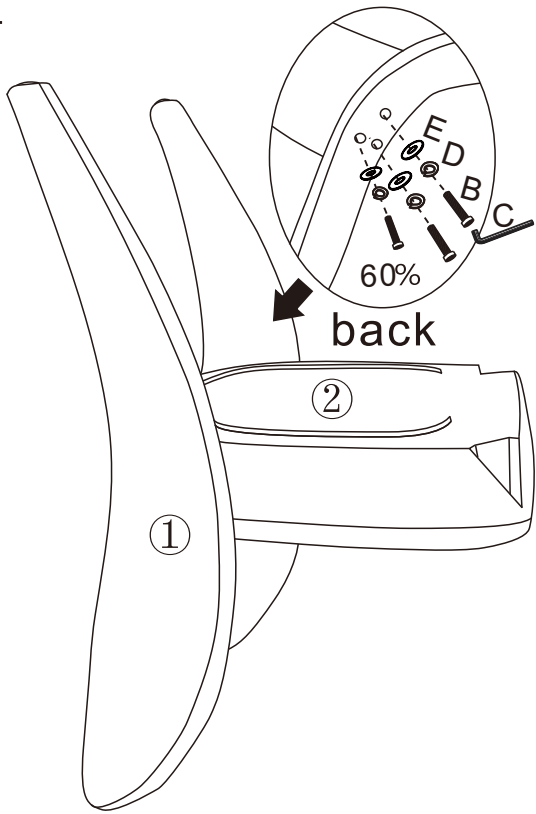
E



x10

1.

1



2

