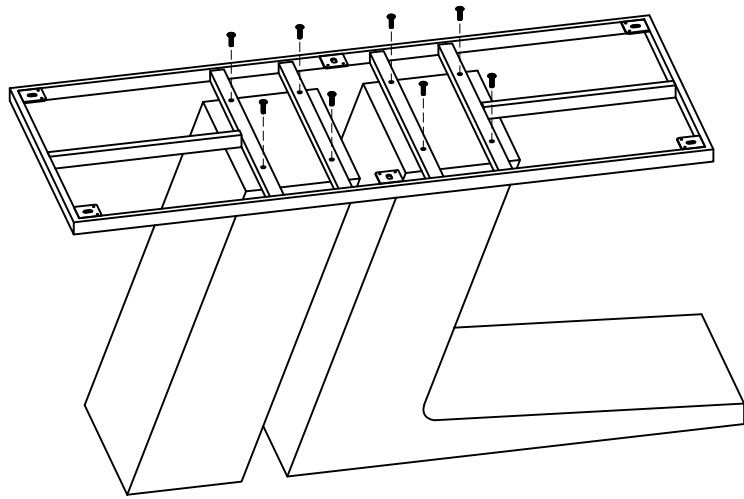
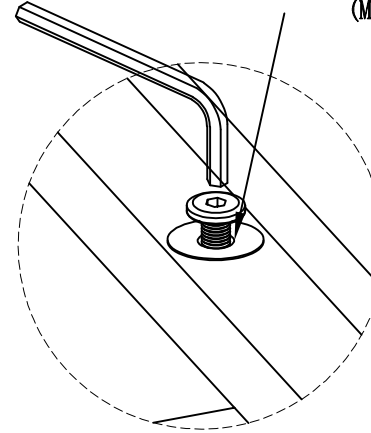


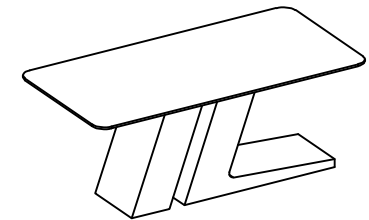
1. Place the support bracket on top of the base to align the interconnection holes, put in the hex screws and washers, and tighten with a wrench.



Hexagon socket  
Gasket+ machine screws  
(M8\*25)



## Installation instruction

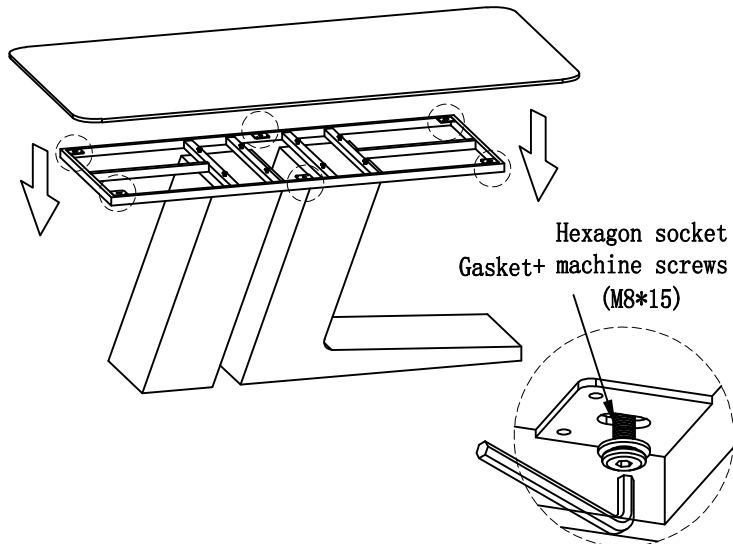


DT0113AW160/180/200 Installation  
The number of people needed for installation: 2

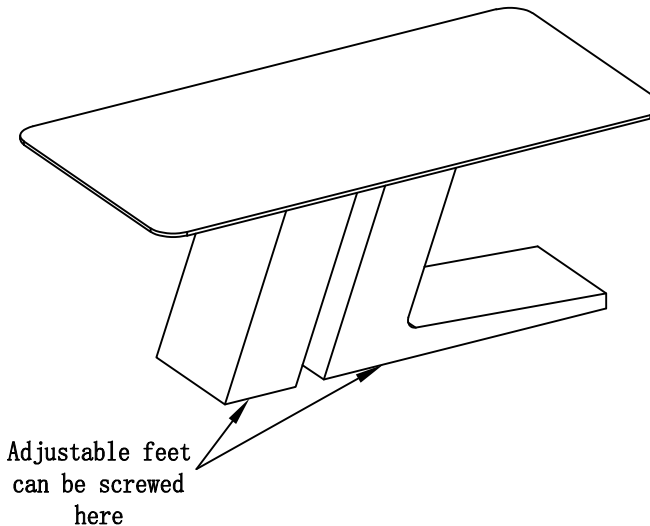
- ① Please read the manual carefully before installing this product. And strictly follow the installation process
- ② Please take good care of this manual for your next installation
- ③ Note: Before installation, screw all the screws to 1/2 of the length of the installation. After all screws are half screwed in, tighten them all together.

3. Put the desktop on the support frame, align the tabs of the support frame with the holes on the bottom plate of the table top, put in the hex screws and washers, and tighten them with a wrench

3. Installation complete



Hexagon socket  
Gasket+ machine screws  
(M8\*15)



Adjustable feet  
can be screwed  
here

### Parts list On a red ribbon are furniture installation accessories

Serial number	Shape	Name	Quantity required for installation	Spare quantity
A		Hexagon socket machine screws (M8*25)	8	1
B		Hexagon socket machine screws (M8*15)	6	0
C		Gasket	14	1
D		Wrench	1	0
E		adjustable feet (M8*16)	5	0
F		Self-tapping screws (M4*15mm)	0	11
G				