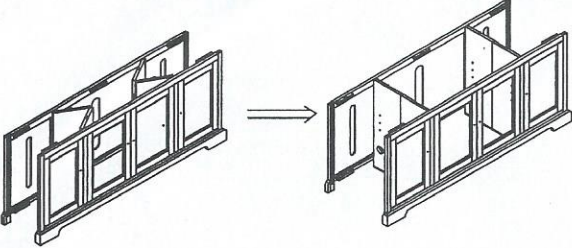
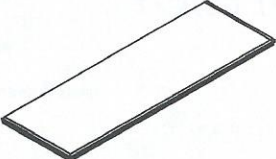
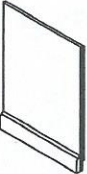






Parts List

Item	Description	Qty
A	 Cabinet	1PC
B	 Top Panel	1PC
C	 Side Panel	2PCS
D	 Middle Bottom Panel	1PC
E	 Side Bottom Panel	2PCS
F	 Middle Adjustable Shelf	1PC
G	 Side Adjustable Shelf	2PCS