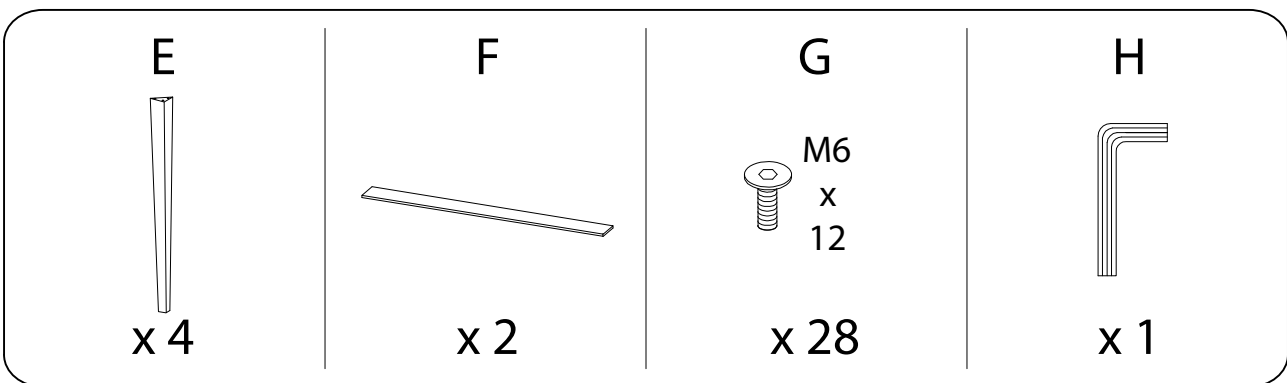
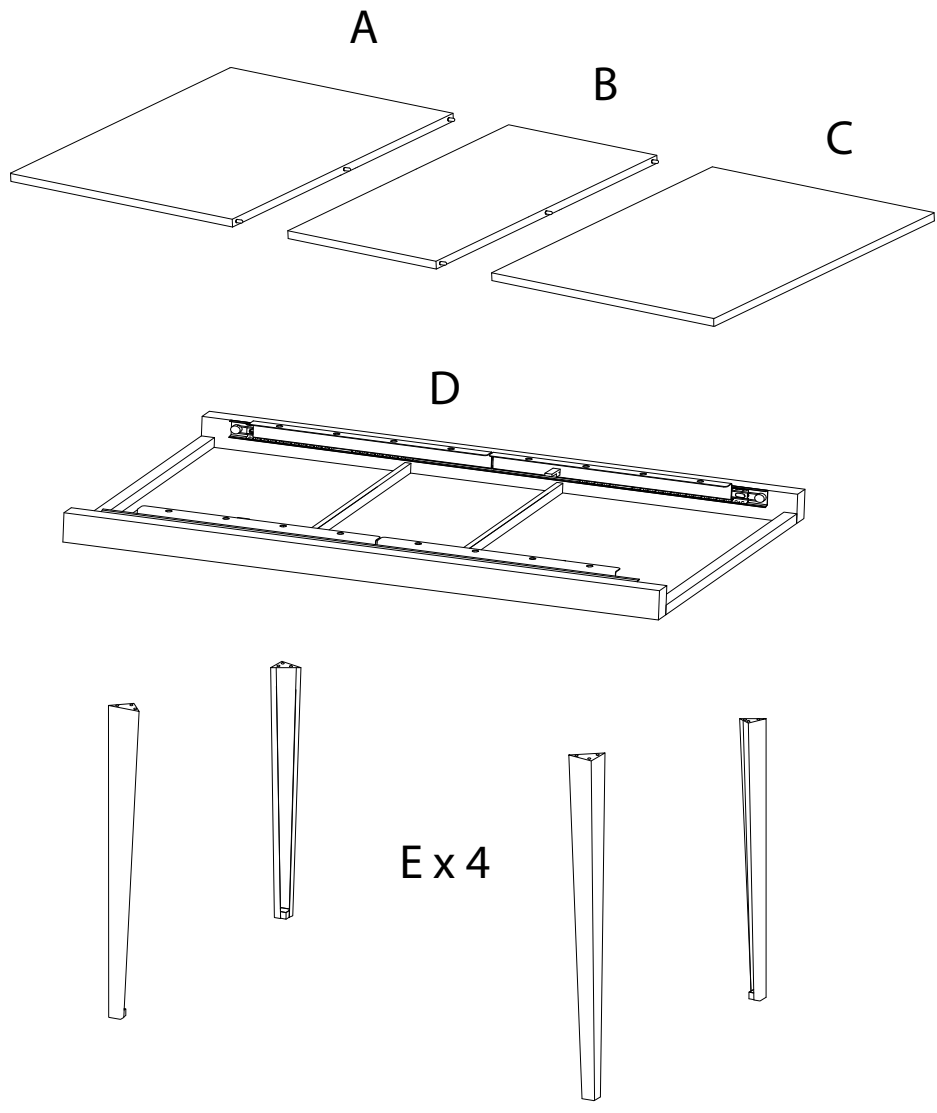
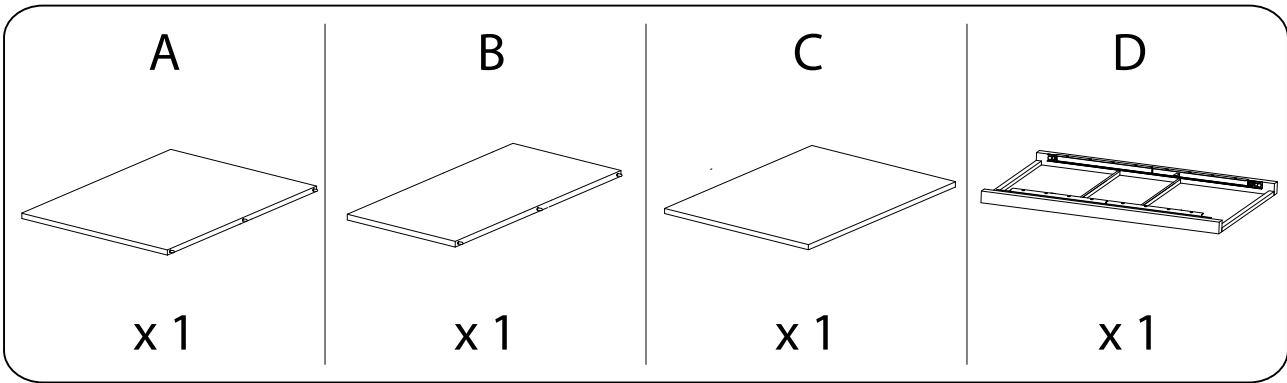
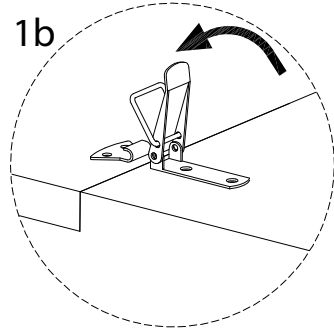
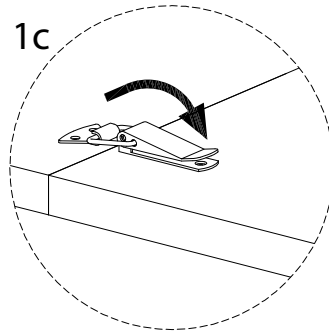
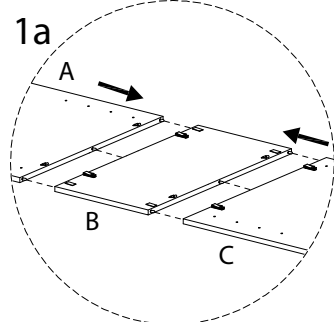
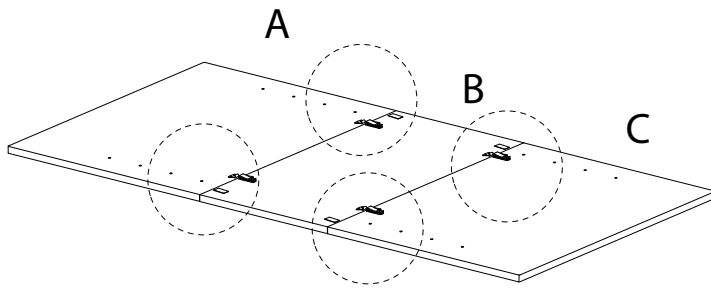
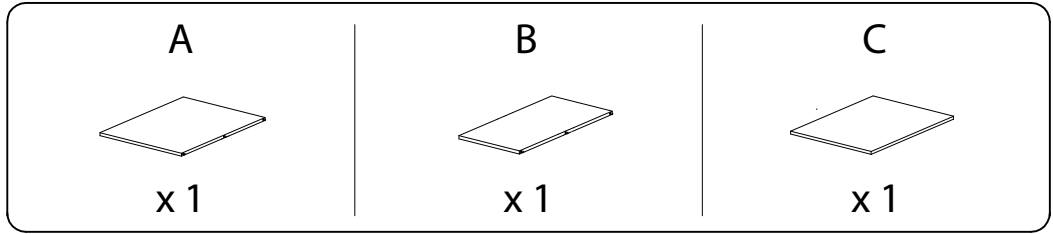


Diagram illustrating assembly instructions and safety warnings:

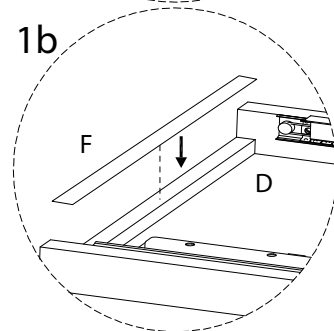
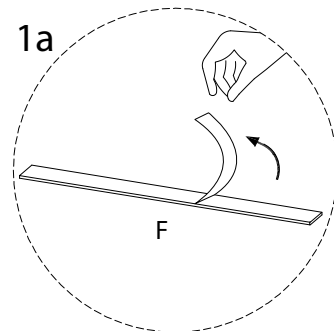
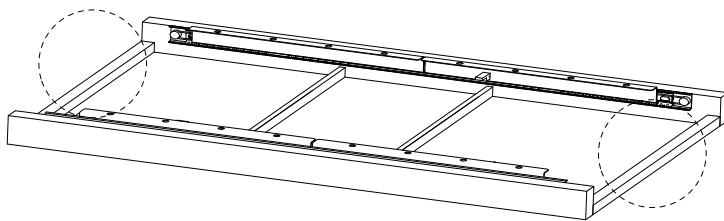
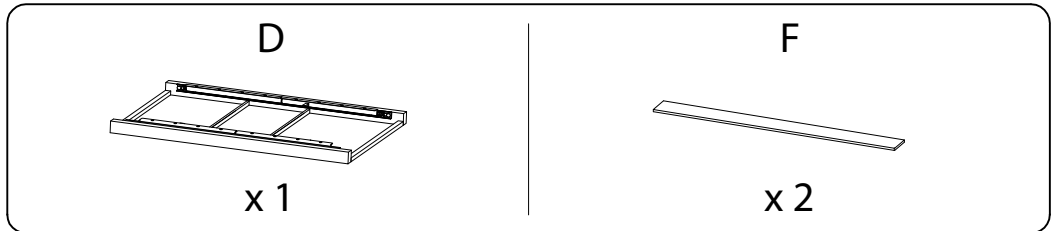
- Top Section:** Shows an L-shaped bracket being inserted into a hole in the table top. A power drill is shown with a diagonal line through it, indicating that a power drill should not be used for this step. A warning triangle with an exclamation mark is positioned to the right.
- Bottom Section:** Shows a rectangular block being placed on a surface. A power drill is shown with a diagonal line through it, indicating that a power drill should not be used for this step. A warning triangle with an exclamation mark is positioned to the right.
- Timing:** A clock icon is shown with the text "30'" below it, indicating a 30-minute assembly time.
- Personnel:** A person icon is shown with the text "1" below it, indicating that one person is required for assembly.



1



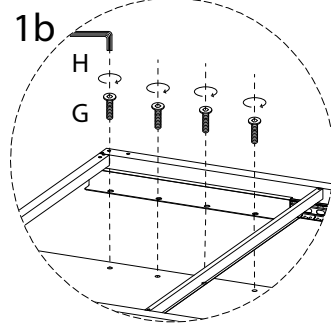
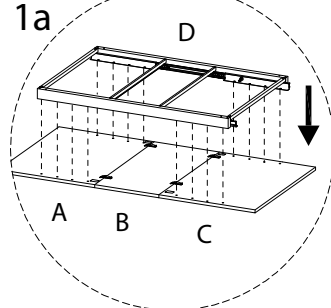
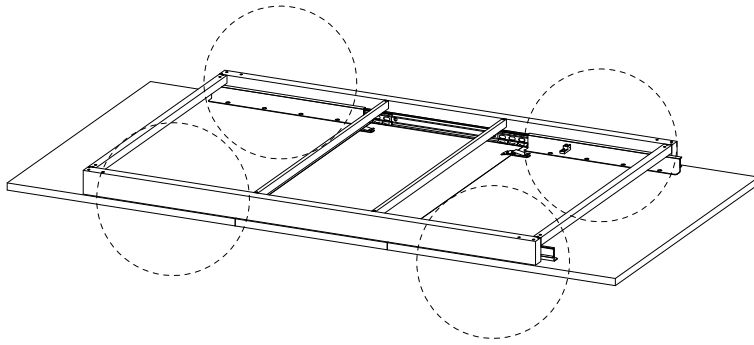
2



3

G  
M6  
x  
12  
x 16

H  
x 1

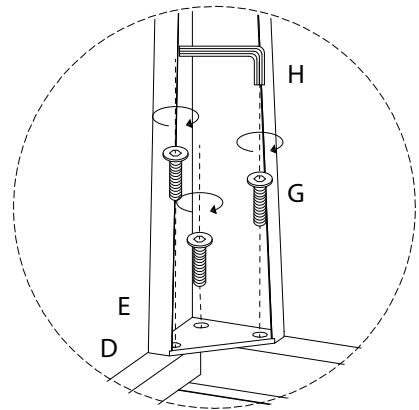
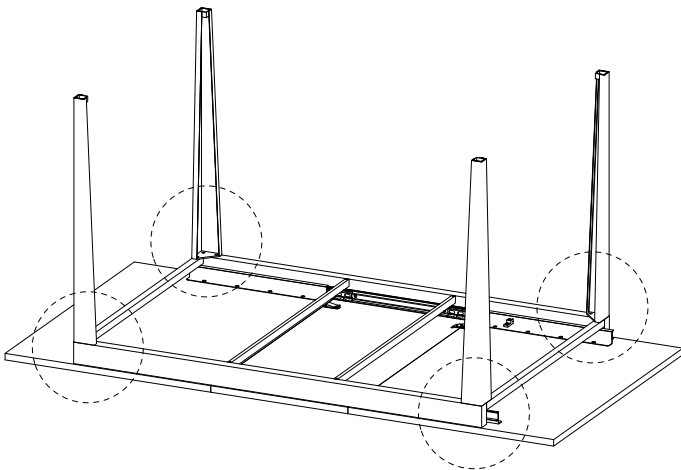


4

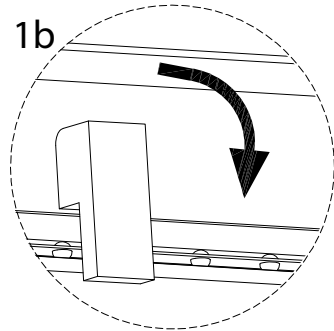
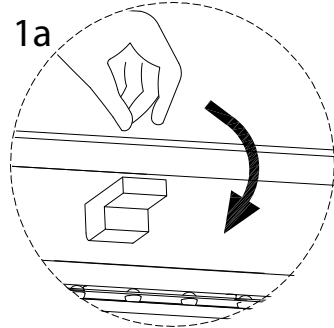
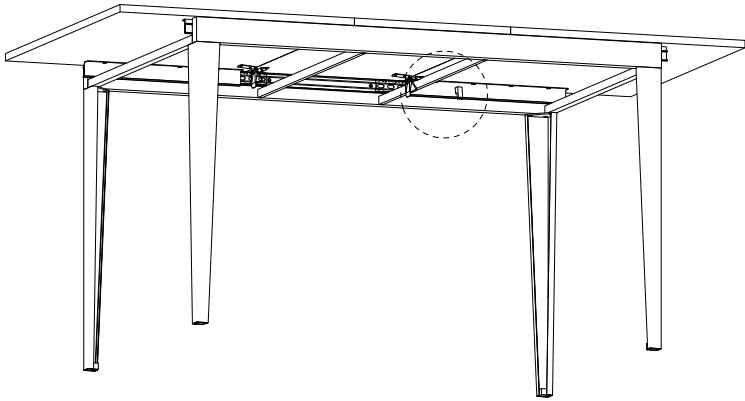
E  
x 4

G  
M6  
x  
12  
x 12

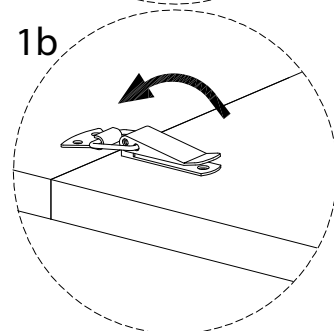
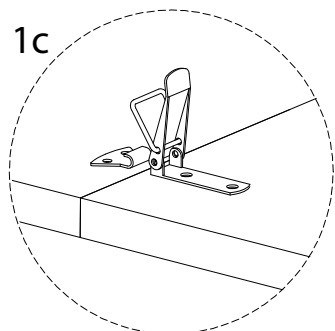
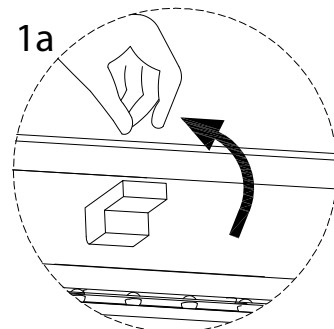
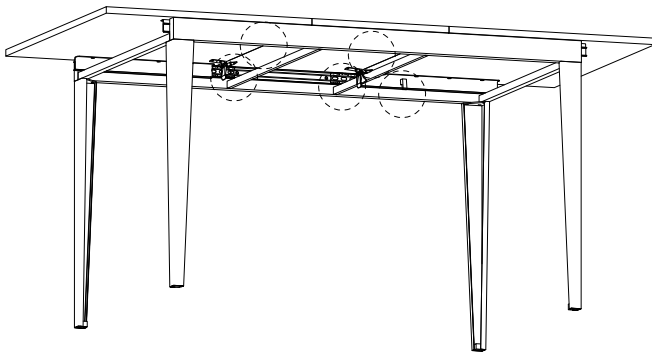
H  
x 1



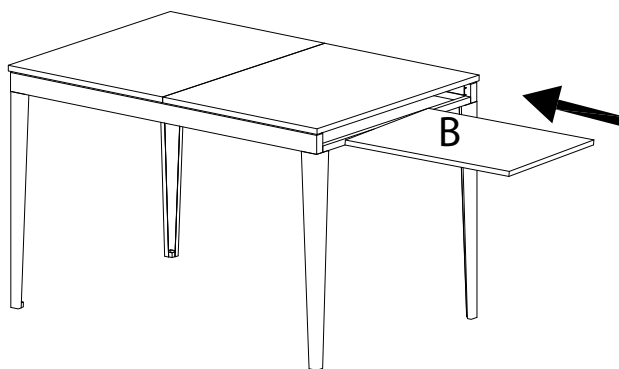
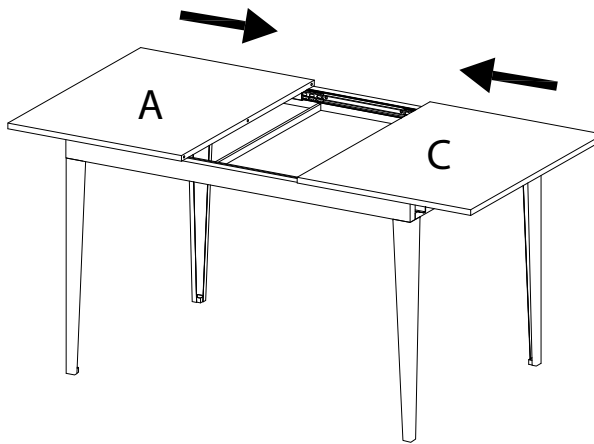
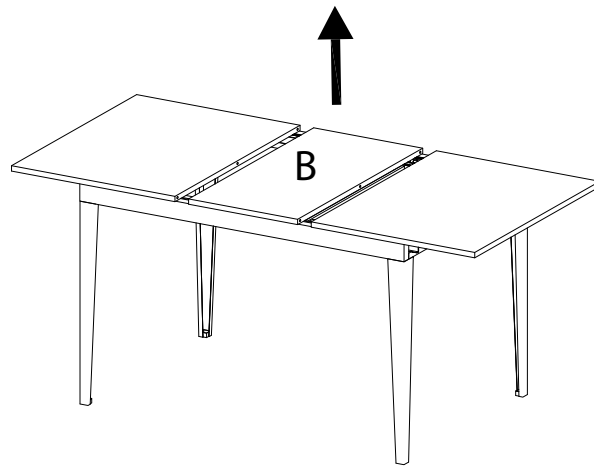
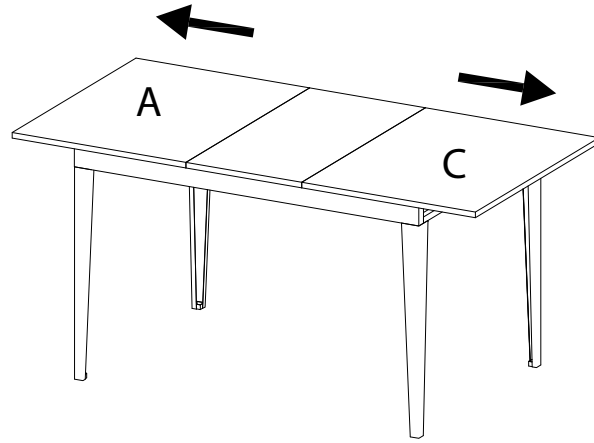
5



!



!



!

