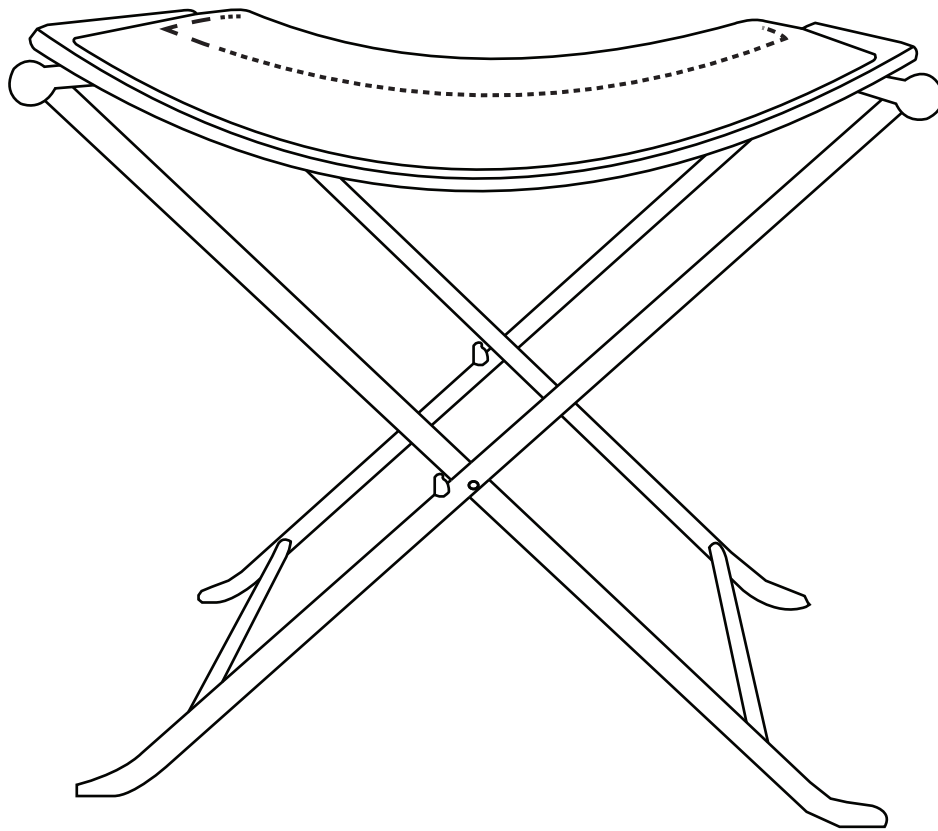
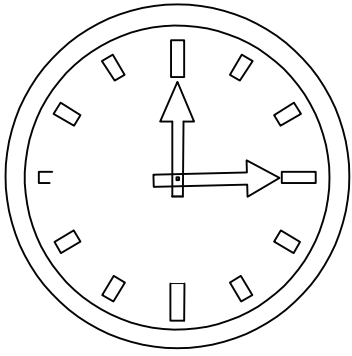
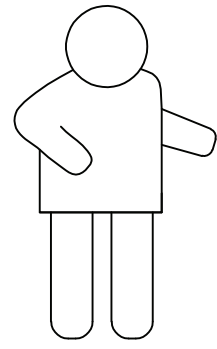


Assembly Instructions

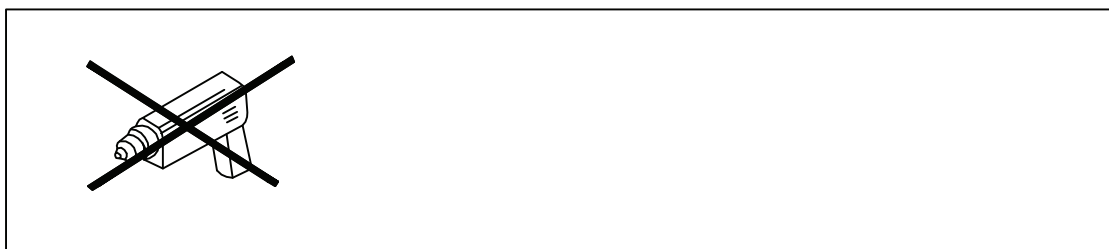
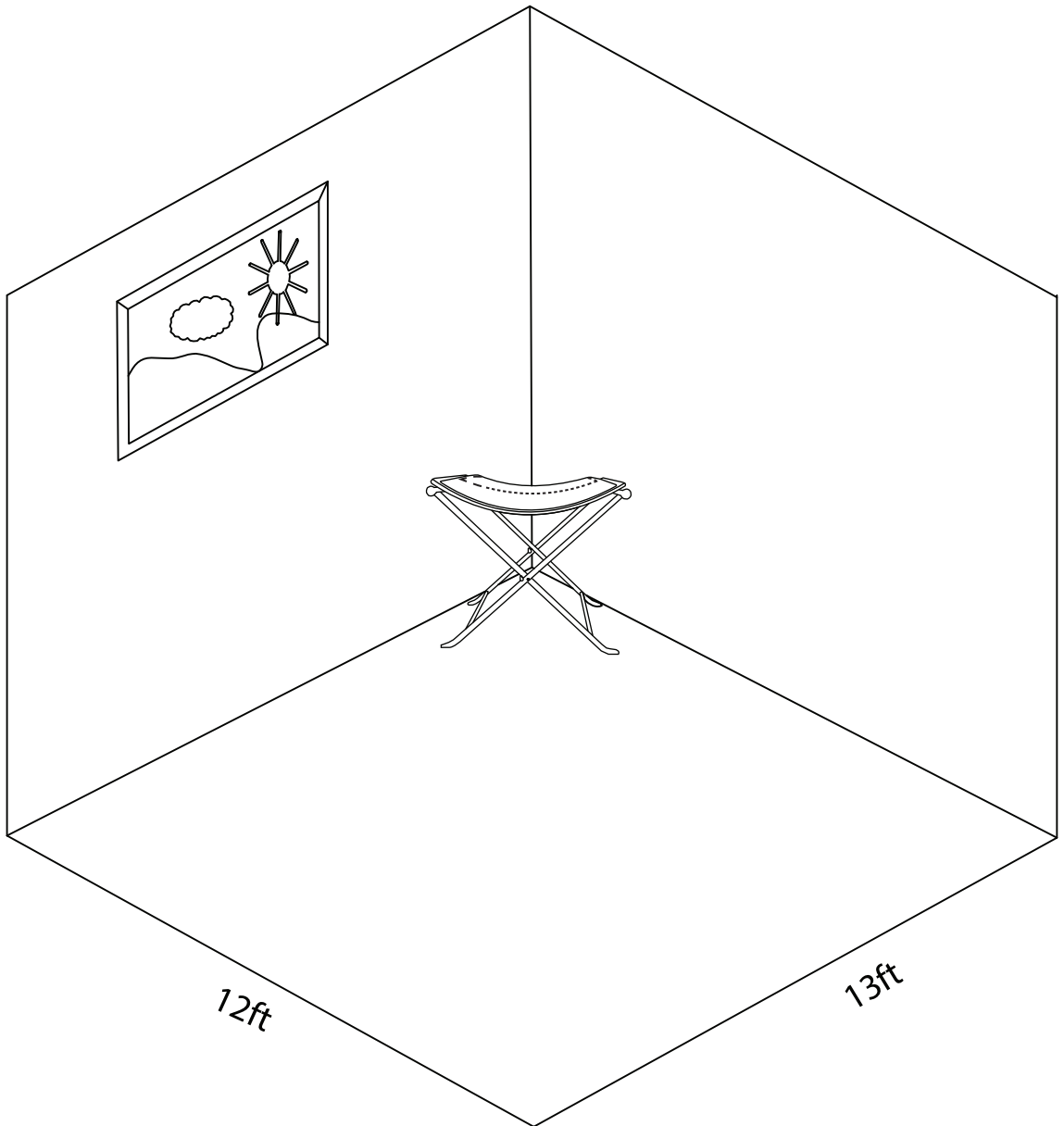


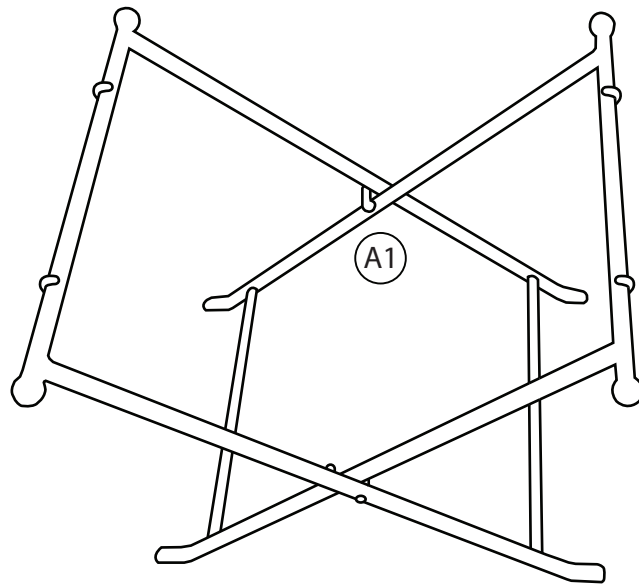
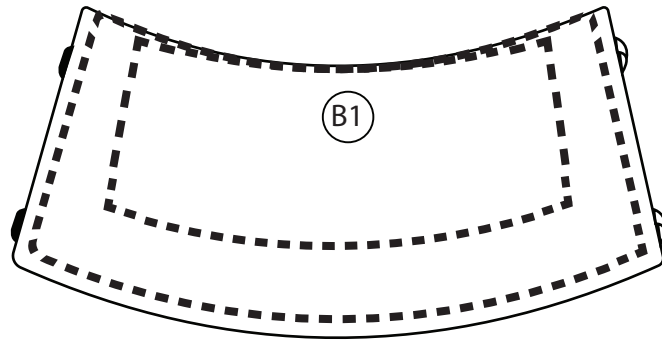


5 min

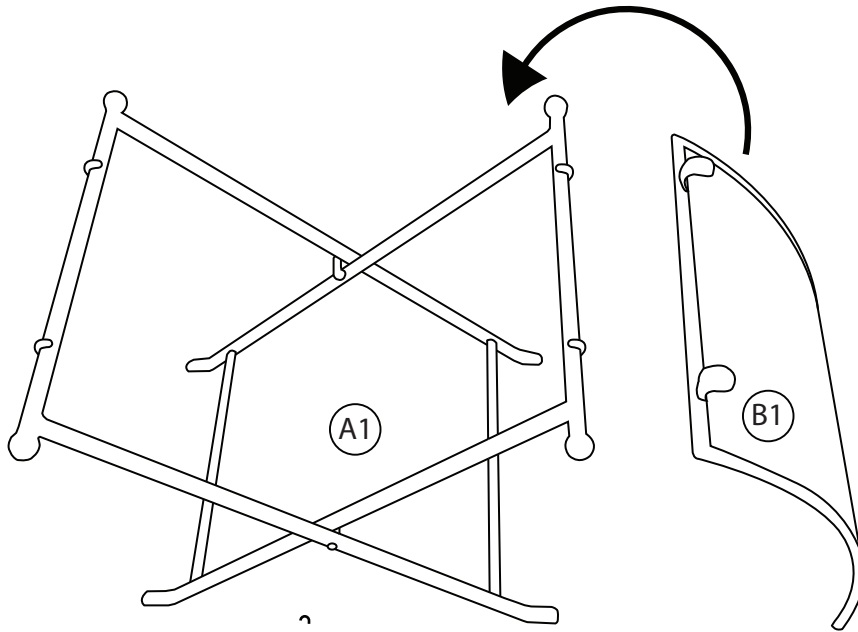


One Person Required

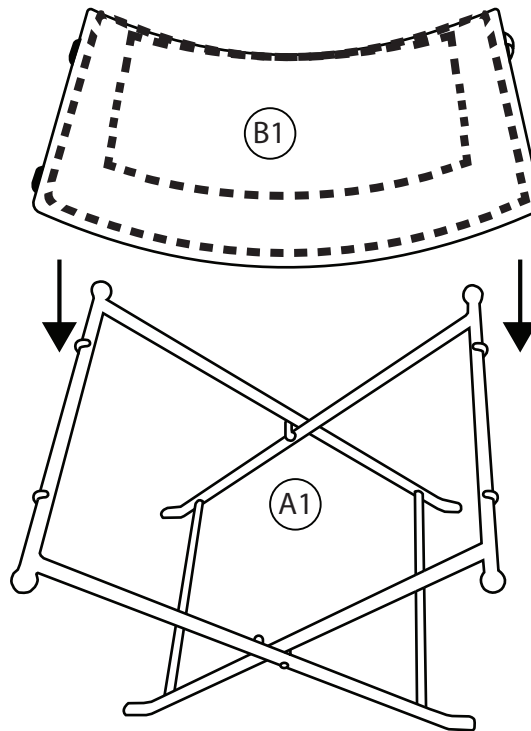




1



2



NOTE: While placing B1 on A1, don't extend the A1 fully.
Keep a little margin while unfolding A1 accordingly
So that hooks of B1 gets attached on A1
And once the hooks gets interlocked, then extend A1 to its maximum

