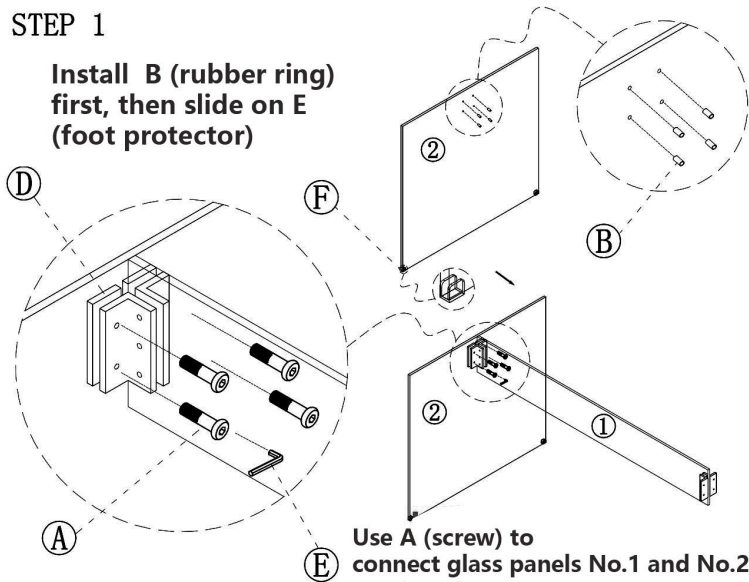


ASSEMBLY INSTRUCTION MODEL NO:Dining table

FITTINGS

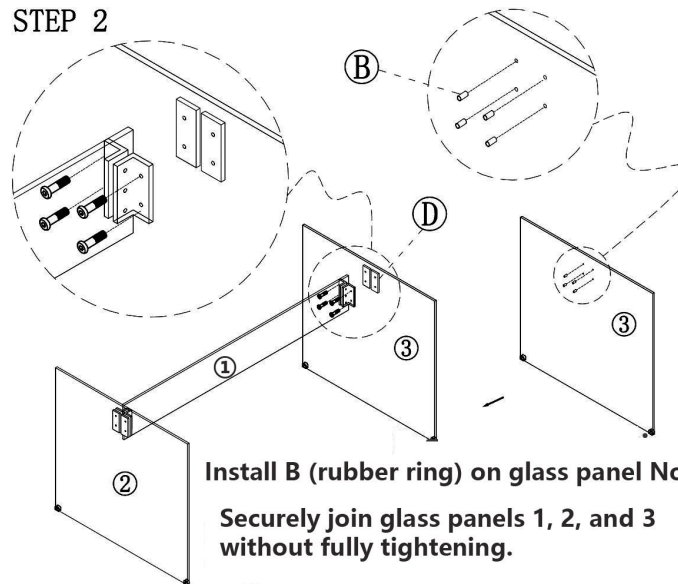
STEP 1

Install B (rubber ring) first, then slide on E (foot protector)



Use A (screw) to connect glass panels No.1 and No.2

STEP 2

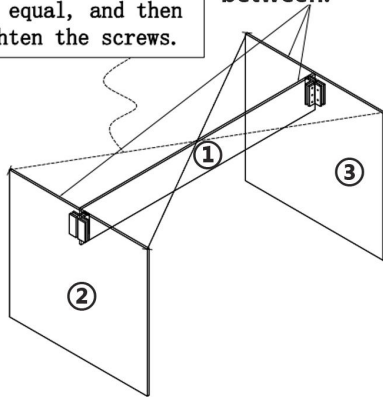


Install B (rubber ring) on glass panel No.3

Securely join glass panels 1, 2, and 3 without fully tightening.

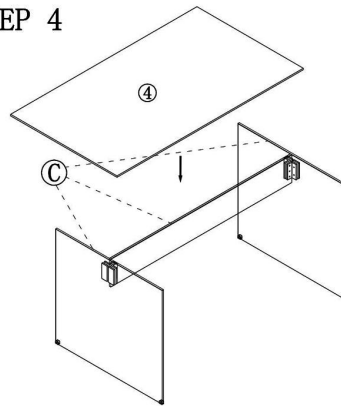
STEP 3

Measure the diagonal lines, confirm that the lengths of the two diagonal lines are equal, and then tighten the screws.



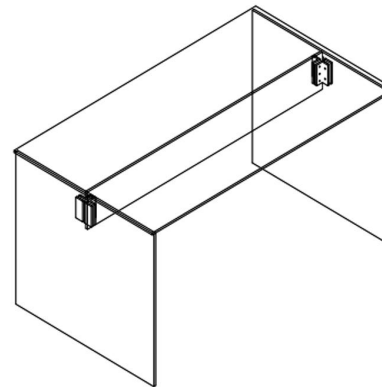
Align all edges. Keep Plates No.2/No.3 parallel, Plate No.1 vertical in between.

STEP 4



After applying the double-sided tape (along the three edges indicated by C), place glass panel No.4 in position.

STEP 5



NO:	PATTERN:	SIZE:	QTY:
A		M8×20	8
B			8
C			3
D			4
E			1
F			4

Warm Tip:
When using Screw A to connect glass panels No.1, 2, and 3, do not fully tighten the screws at first. After all screws are loosely in place, make sure the structure is vertically aligned and both side glass panels are parallel. Only then should you fully tighten all the screws to complete the assembly.