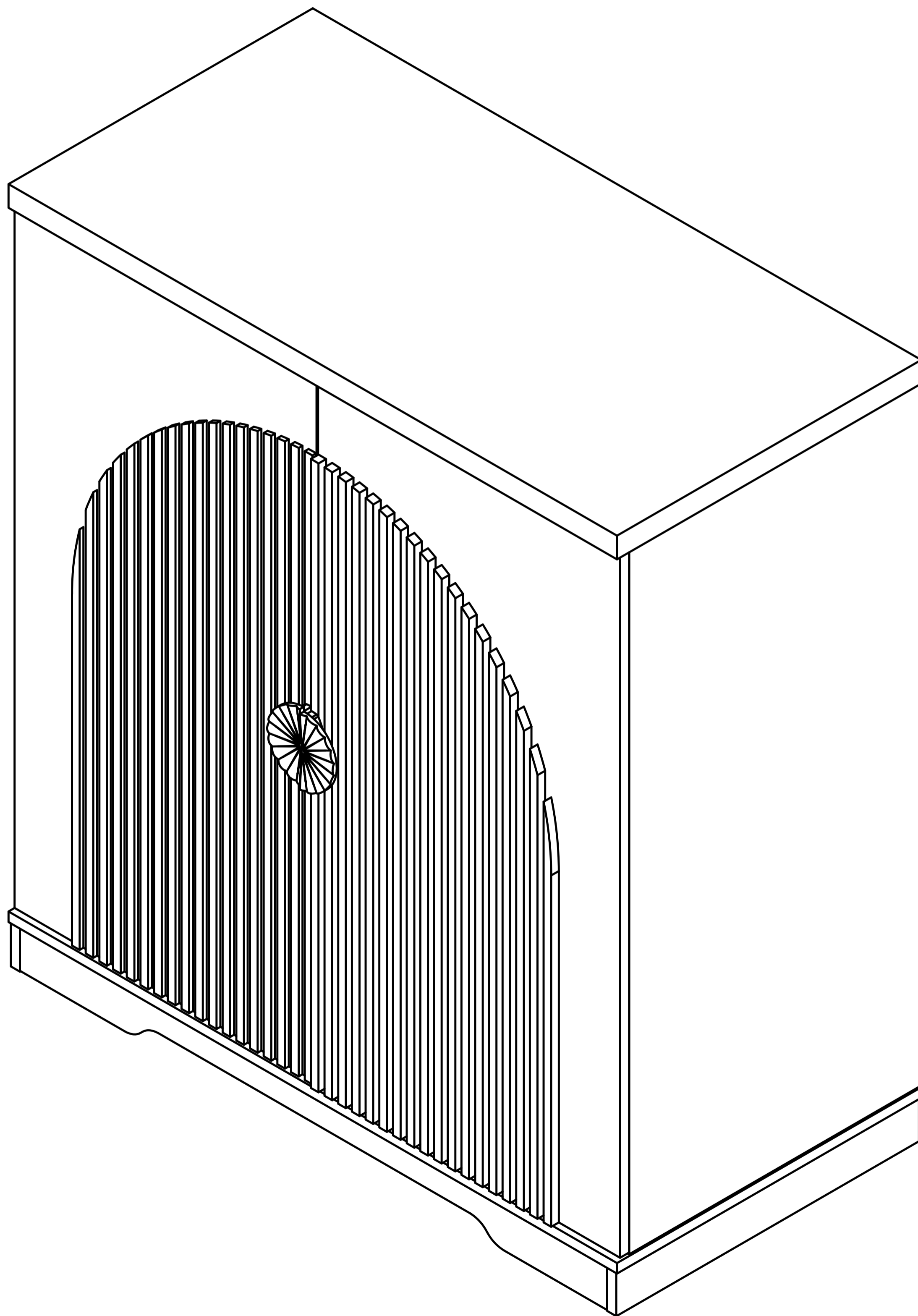
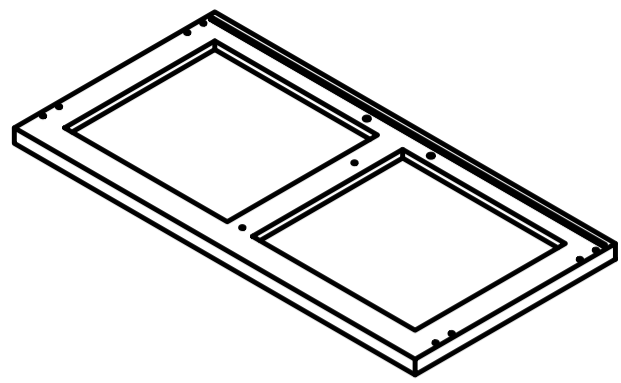


450单 89008款 CY3016合同版本 2025.10.30

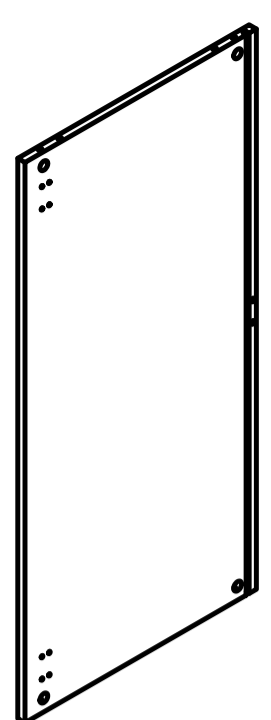
89008 Product Installation Instructions



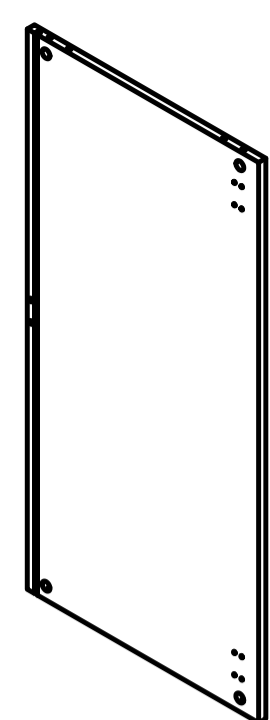
SY



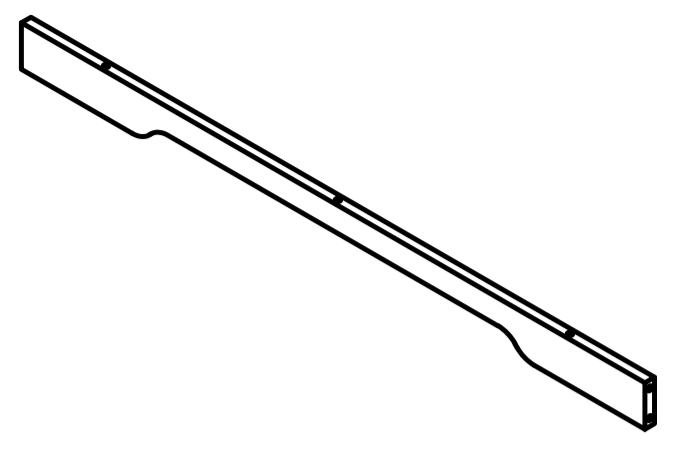
1x1



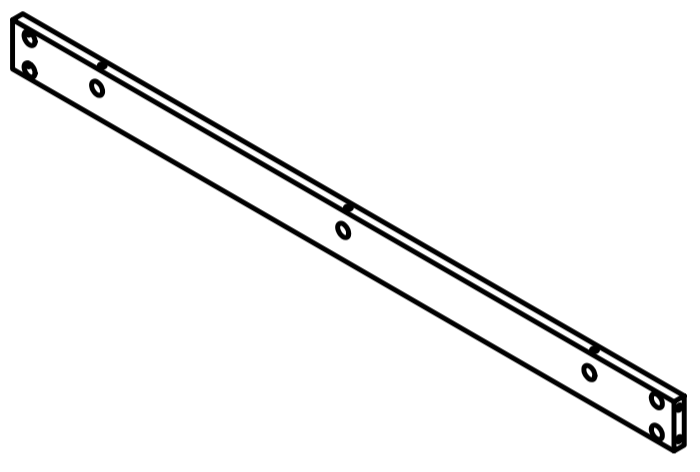
2x1



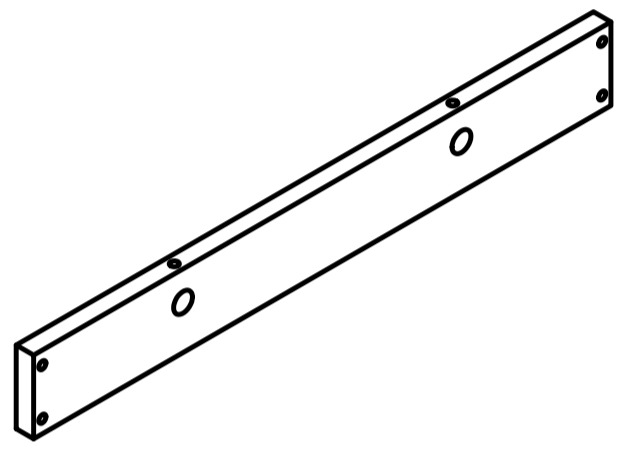
3x1



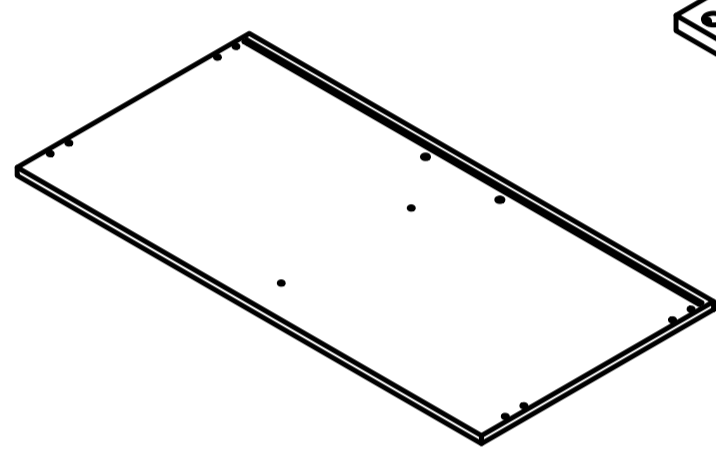
4x1



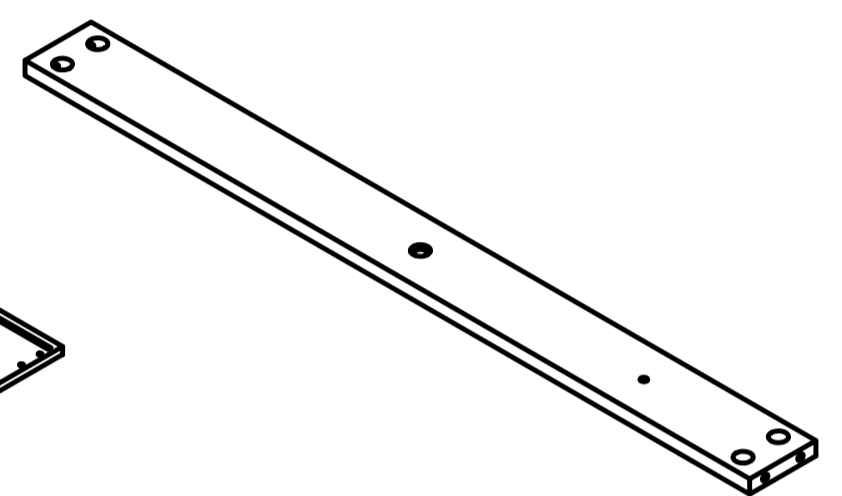
5x1



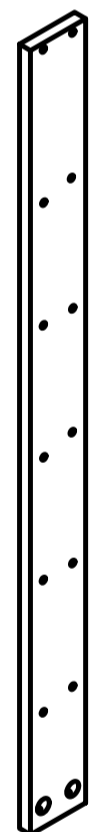
6x2



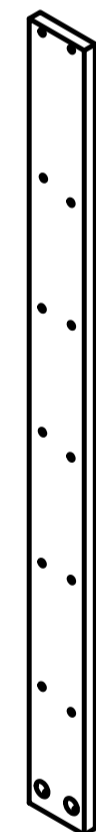
7x1



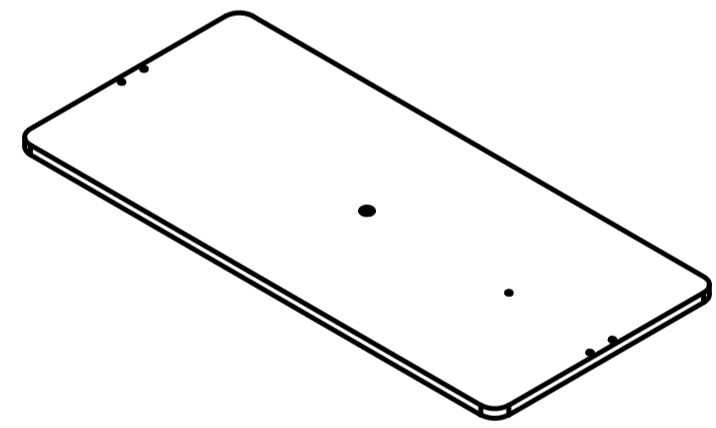
8x1



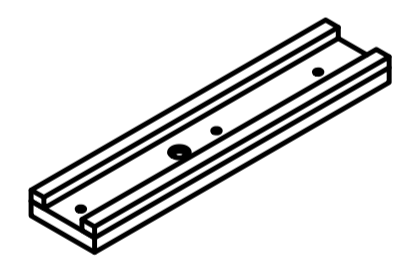
9x1



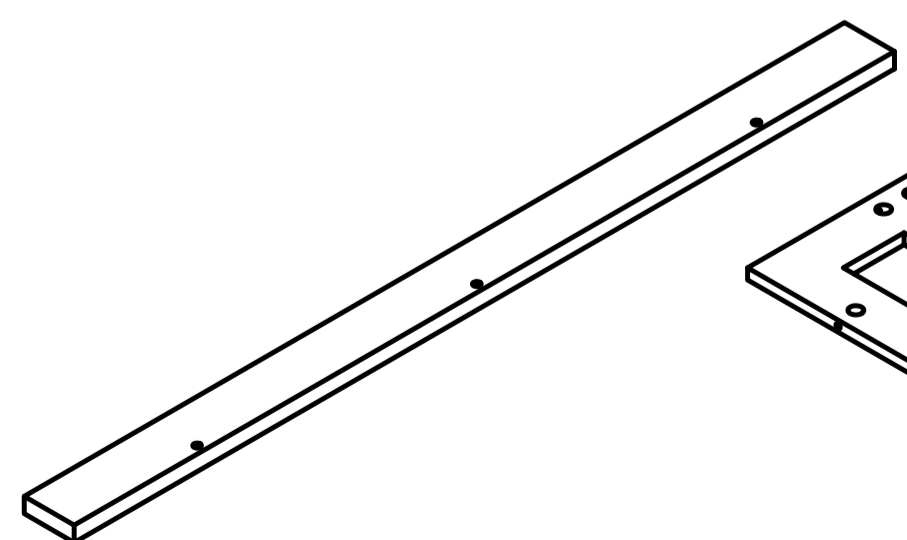
10x1



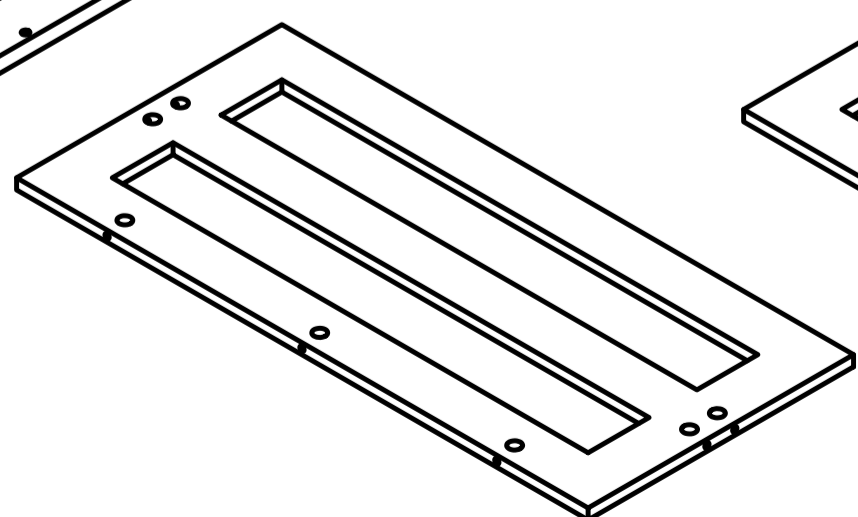
11x1



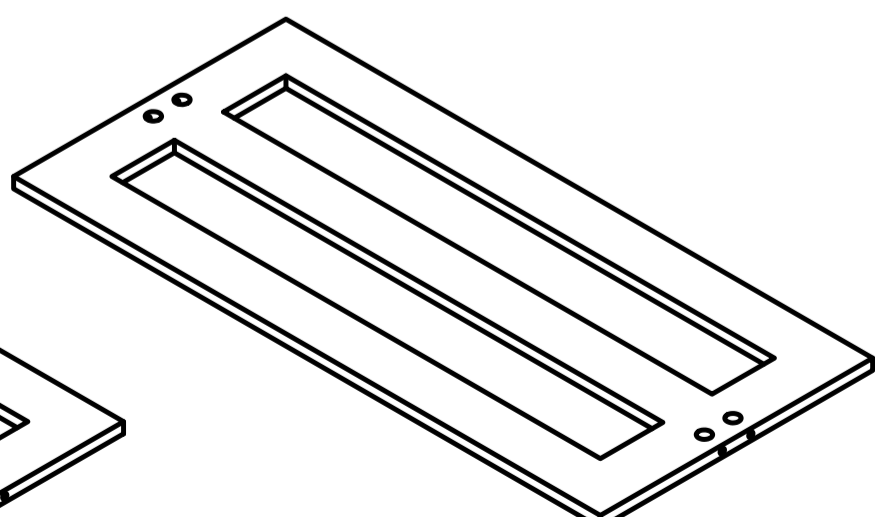
12x2



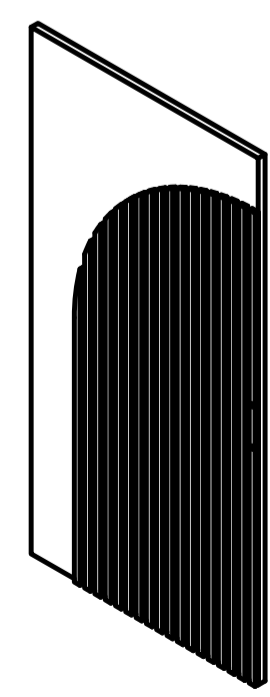
13x3



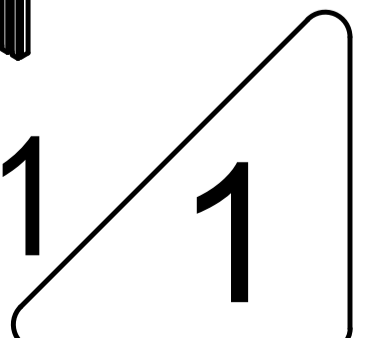
14x3



15x2

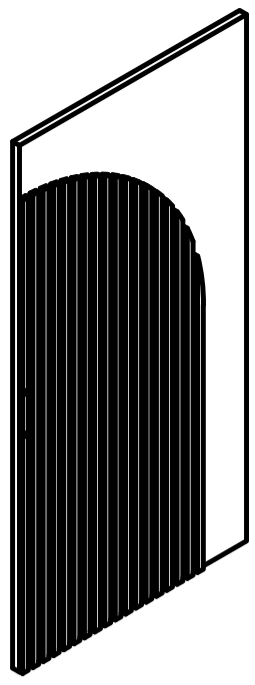


16x1

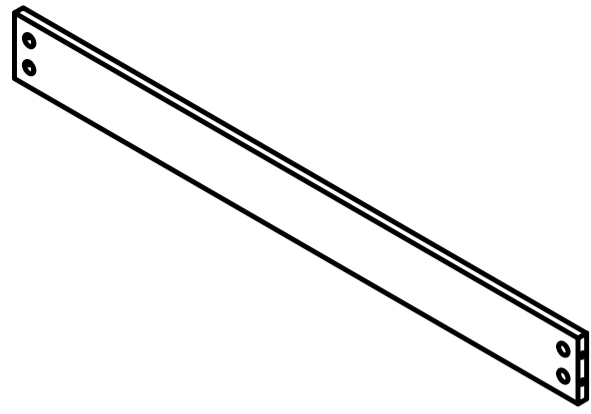


1

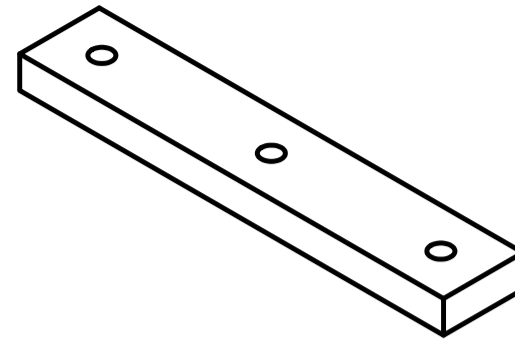
SY



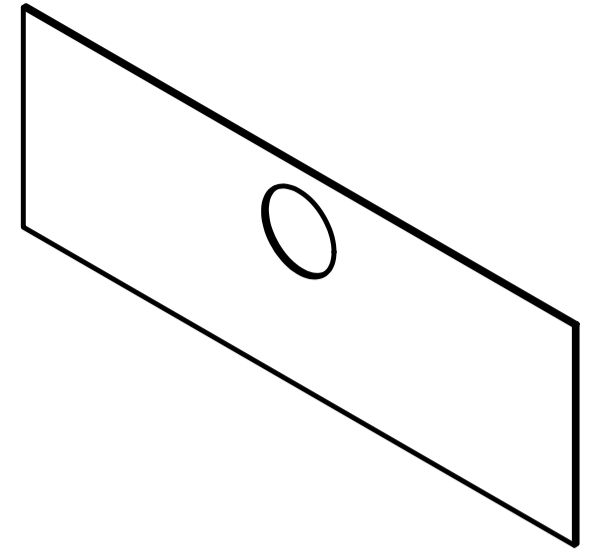
17x1



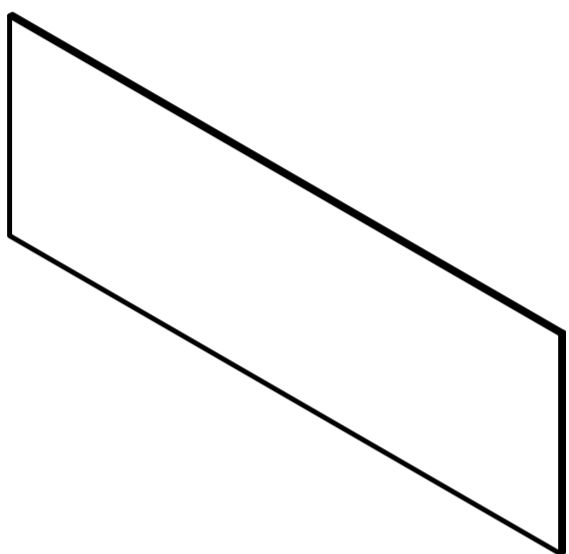
18x1



19x2



20x2

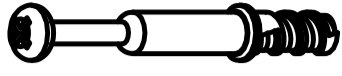


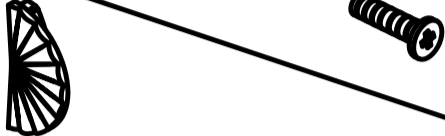



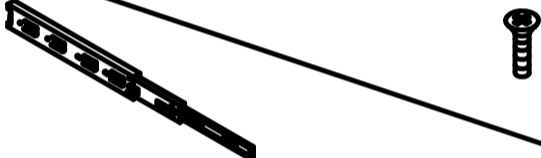
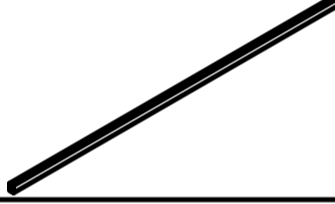
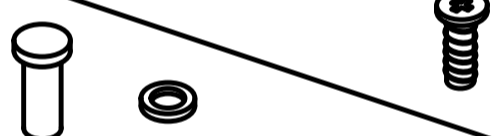


21x1



SY

Accessories list

A		Two In One Screw (6x28mm)	67pcs +3pcs
B		Two In One Nut (10x12mm)	67pcs +3pcs
C		Wood Chipping (6x30mm)	8pcs +1pcs
D		Handle & screw (4x20mm)	2pcs / 4pcs
E		Screw (6x20mm)	4pcs
F		Male and female screws (5x17mm)	4pcs
G		Countersunk head tapping screw(3.5x14mm)	4pcs / 24pcs
H		Screw & Guide (12 inch) (4x10mm)	2pcs / 12pcs
J		Back panel fasteners	2pcs
M		Male and female screws (8x22mm)	2pcs

Anti Fall Hardware

N

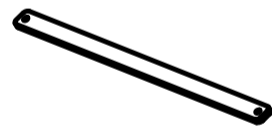

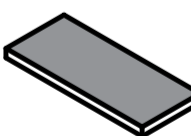


x2

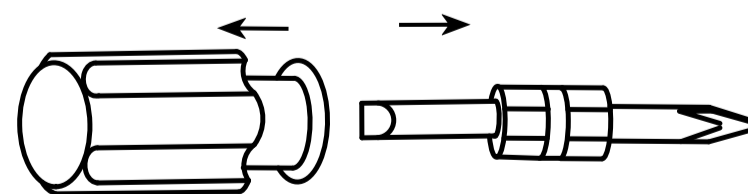
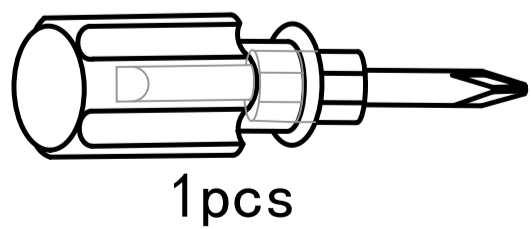
 x4

 x2

 x2

 x2

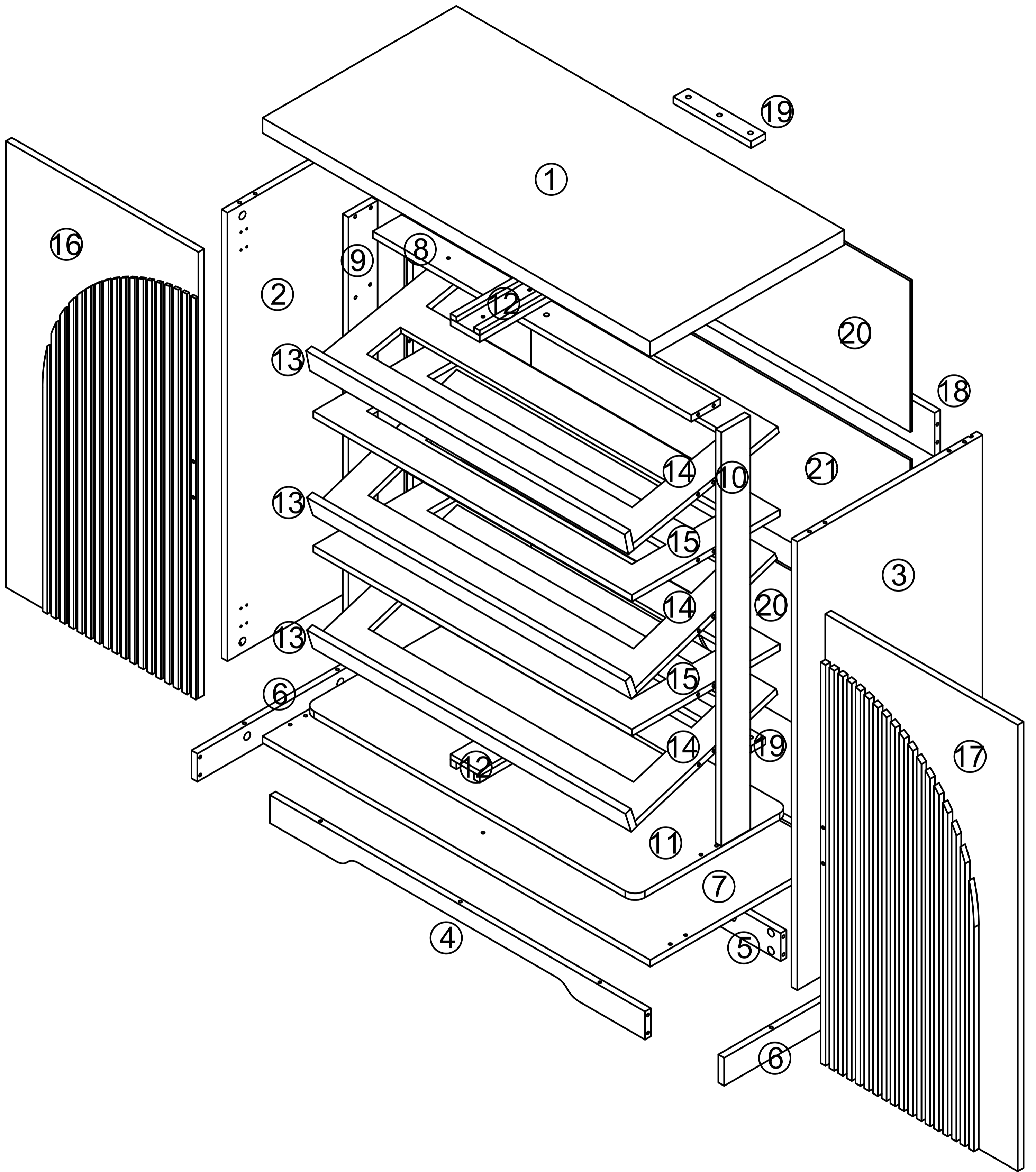
O		Iron sheet	2pcs
P		Fixing Clip & Screw (3x16mm)	16pcs
Q		Foot rubber pad	8pcs
R		Gasket	1pcs



Double-head screwdriver, use as required

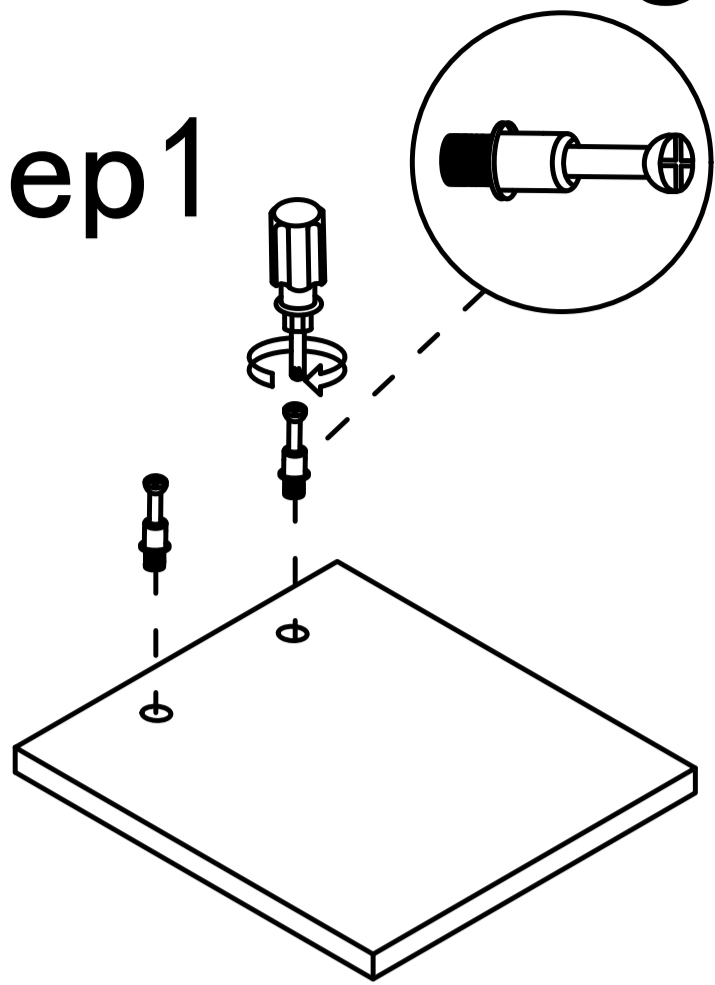


Product structure decomposition

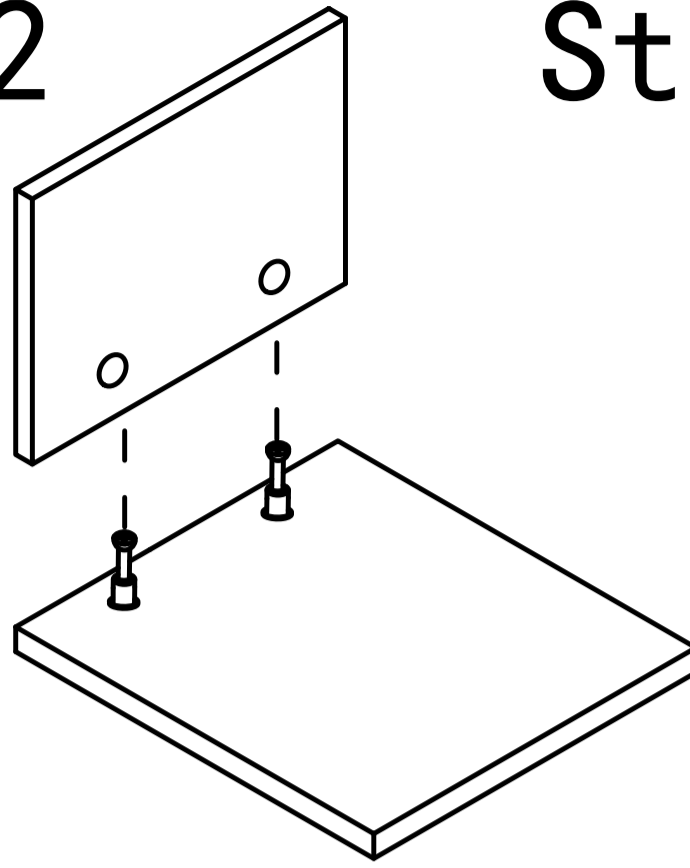


Use parts ① and ②

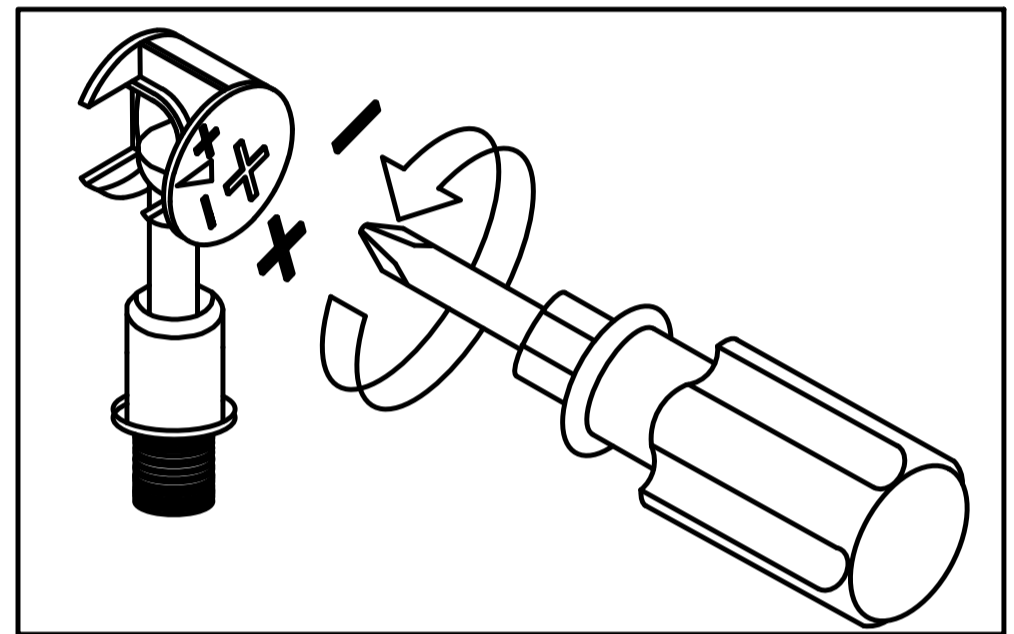
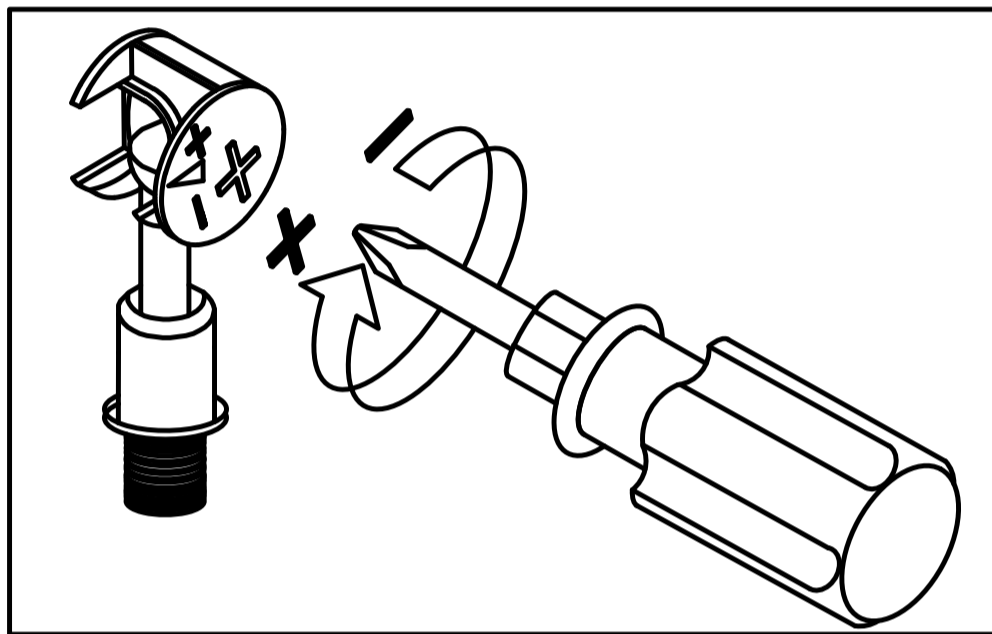
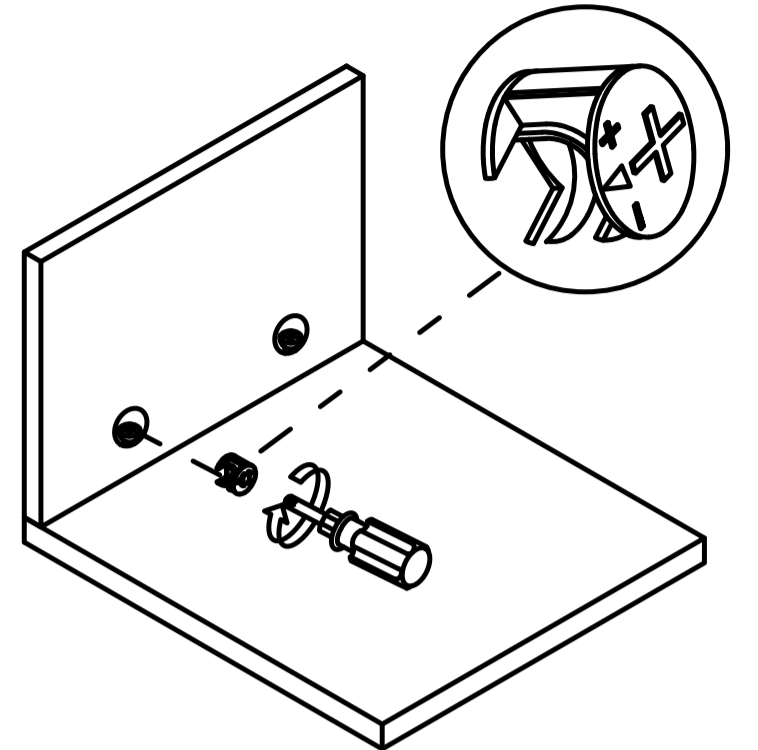
Step 1



Step 2



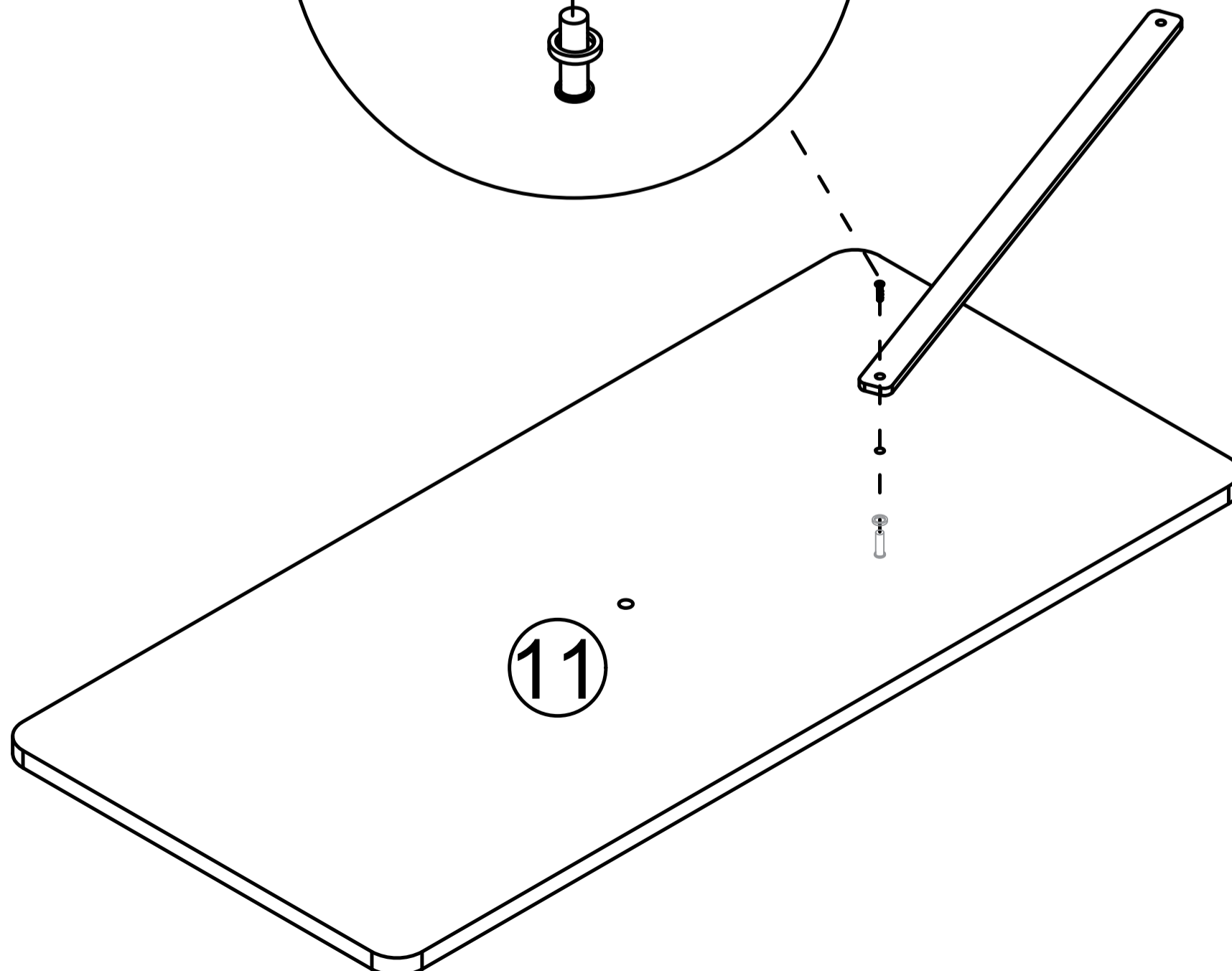
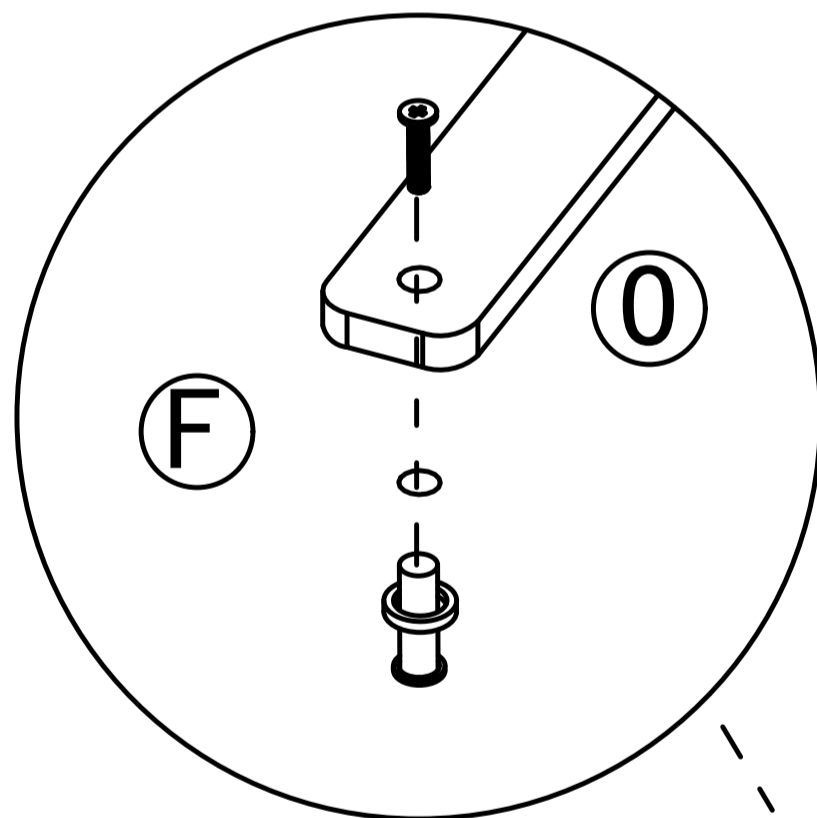
Step 3



Use a screwdriver to lock in the direction of the "+" sign

Disassemble along the direction of "-" sign

Step 1

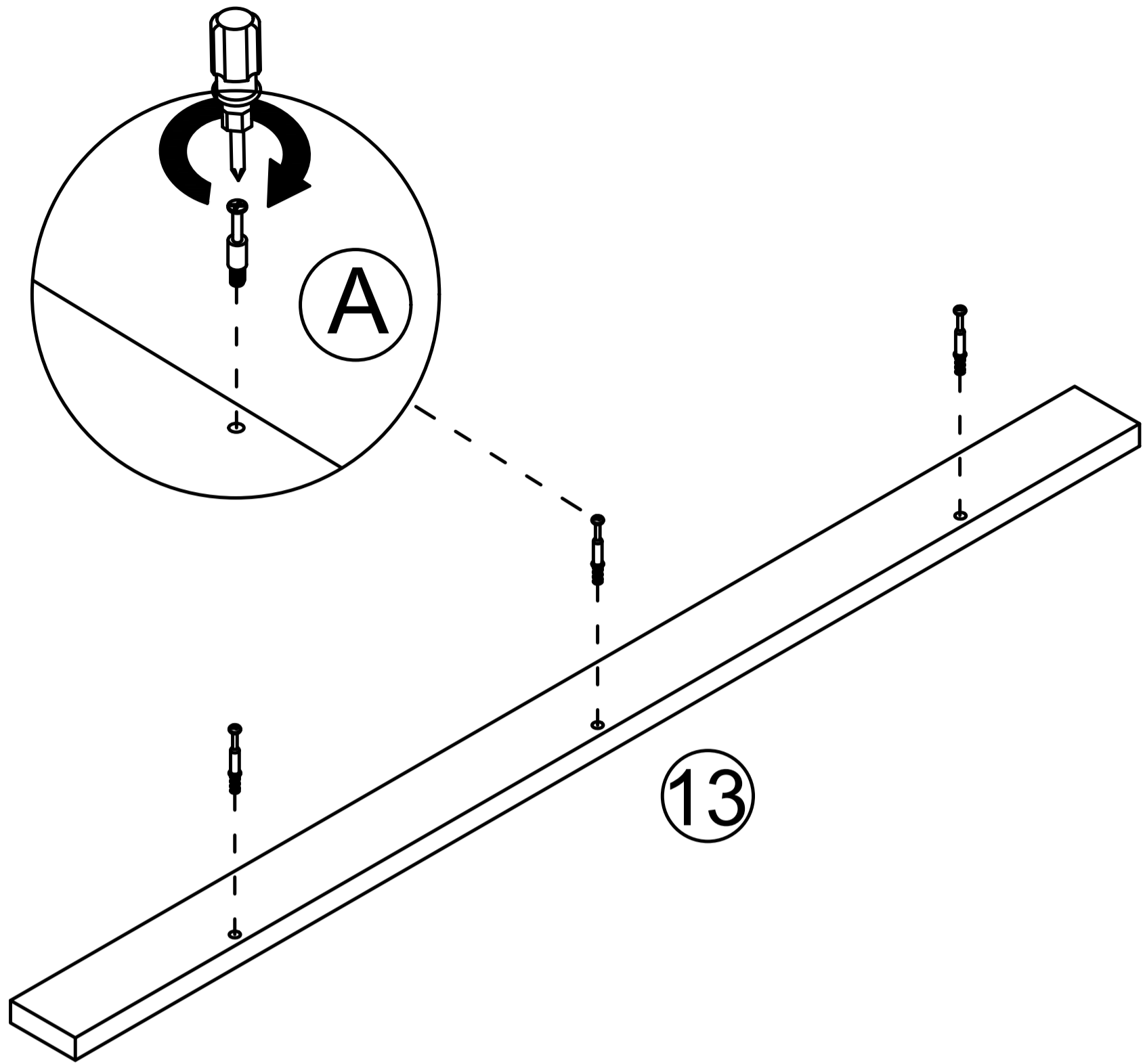
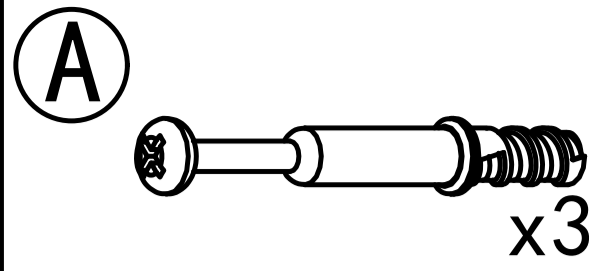


①		x1
②		x1
③		x1

SY

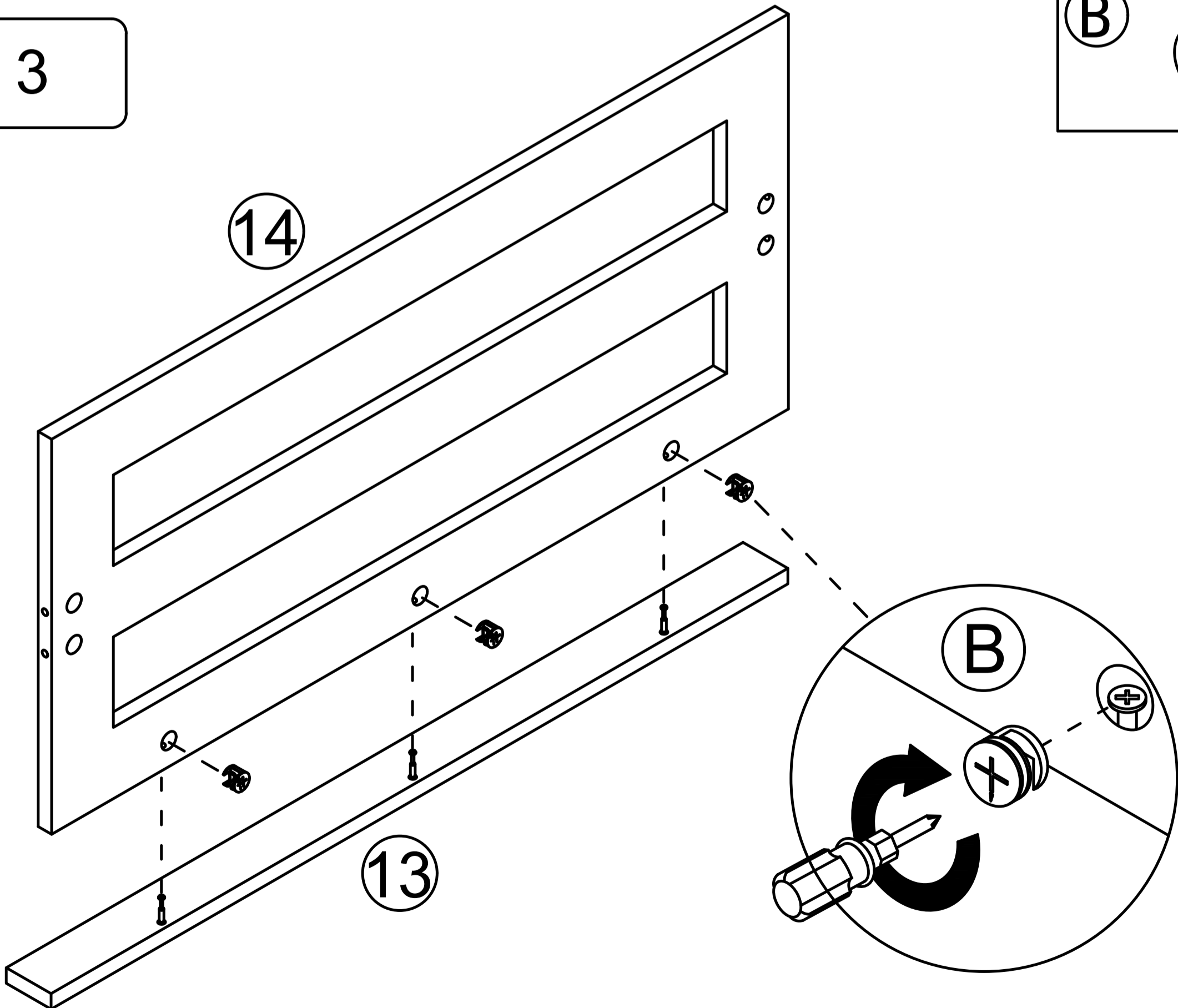
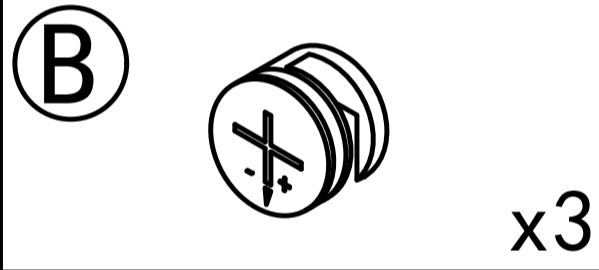
5

Step 2



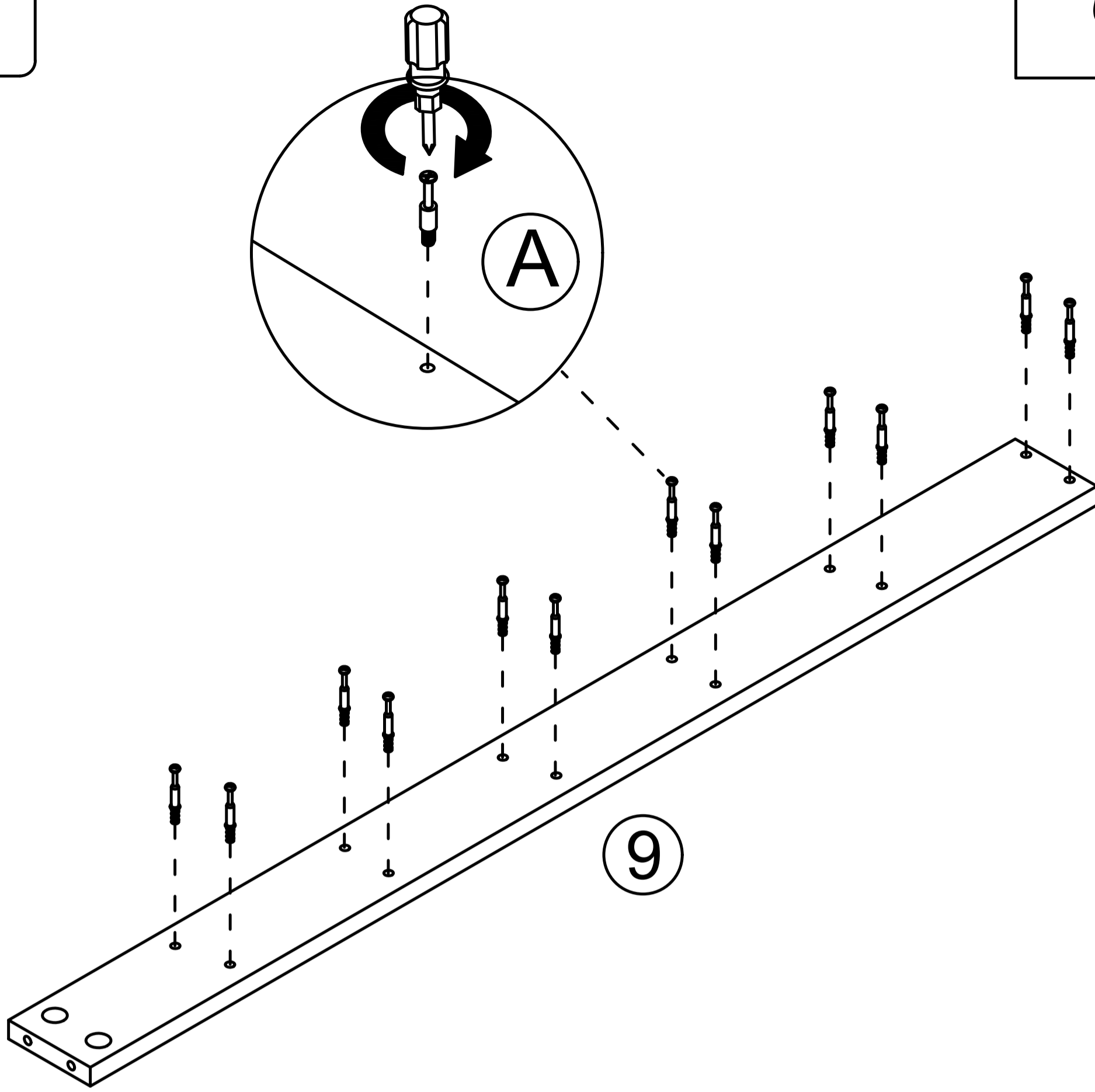
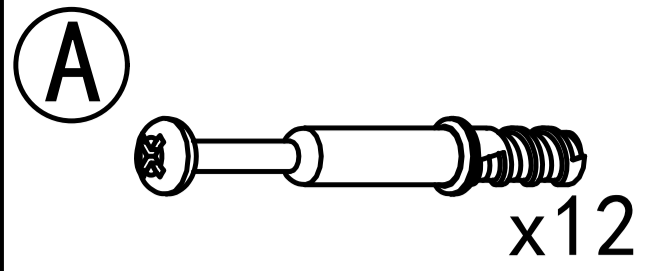
This step is repeated three times.

Step 3

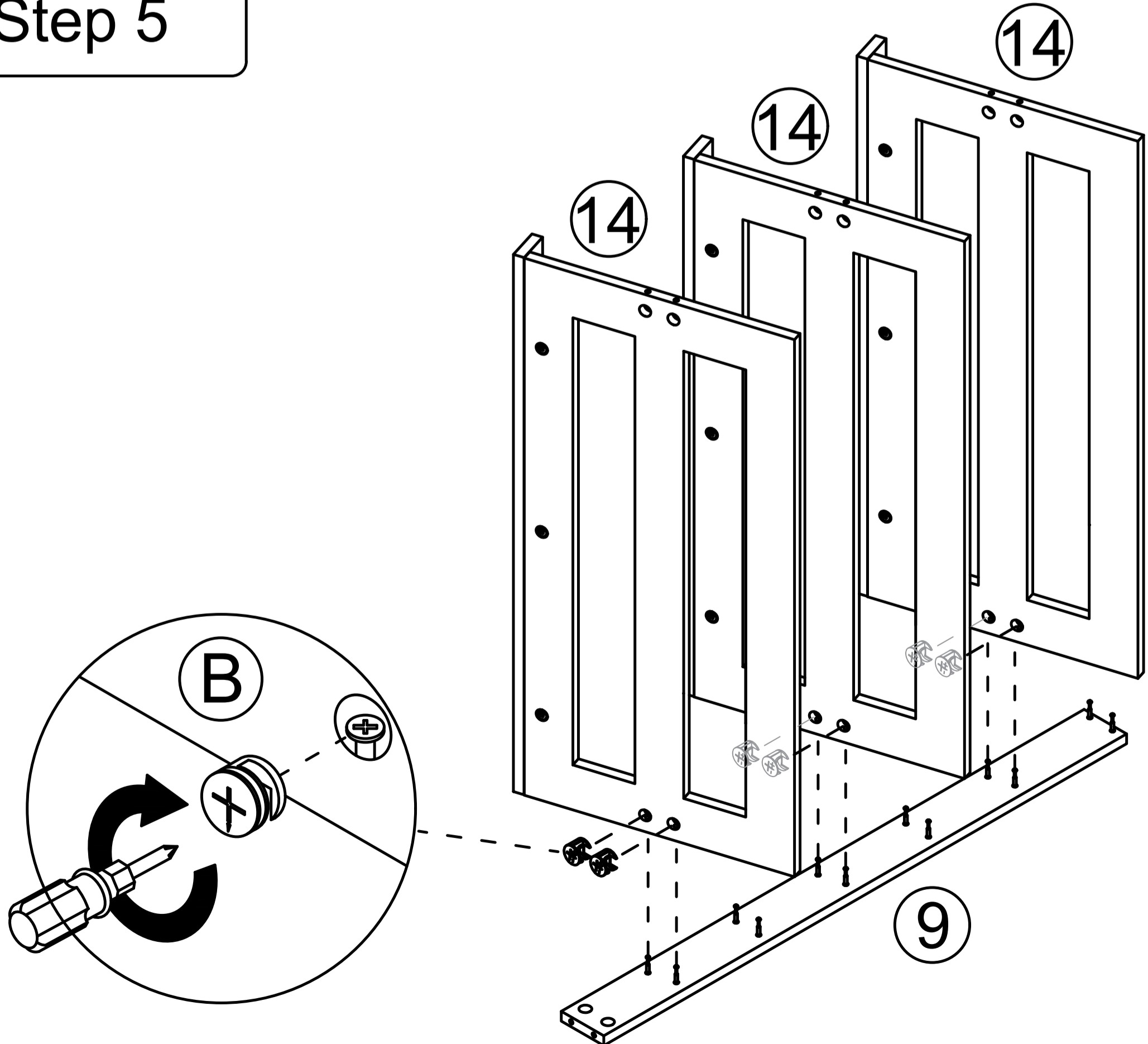
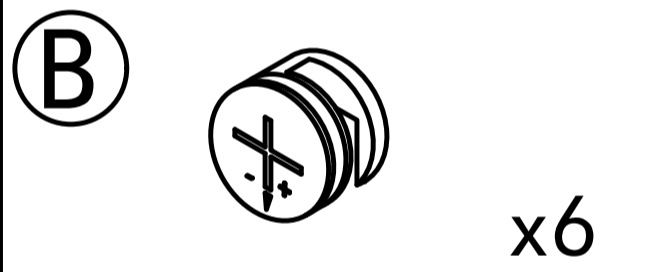


This step is repeated three times.

Step 4



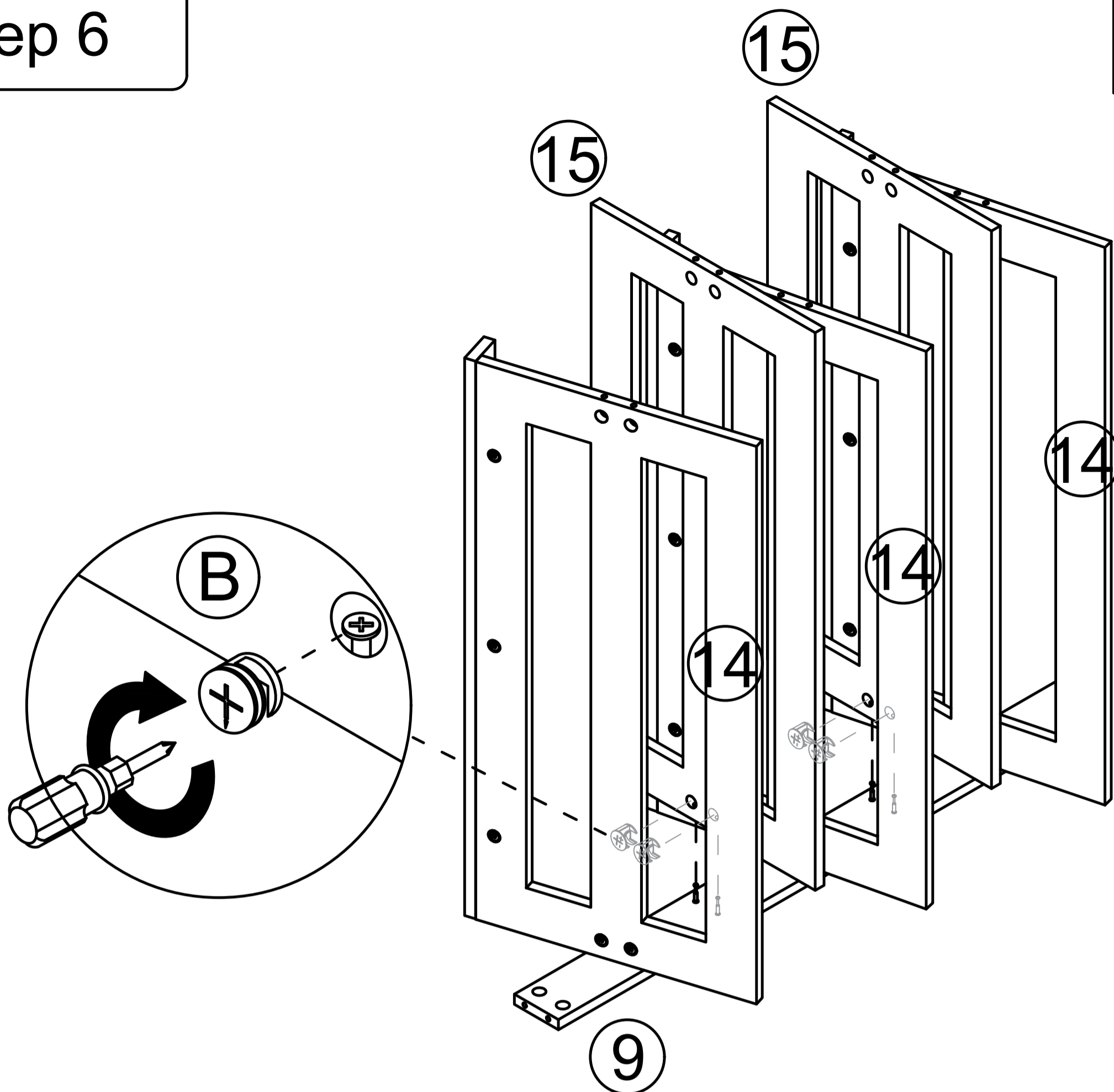
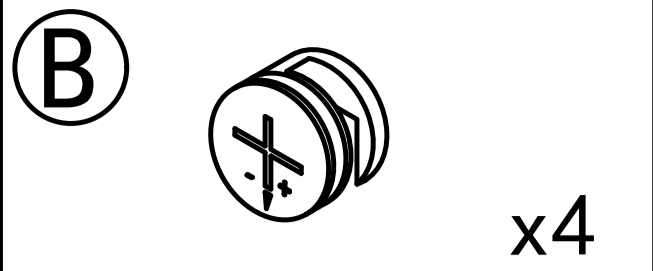
Step 5



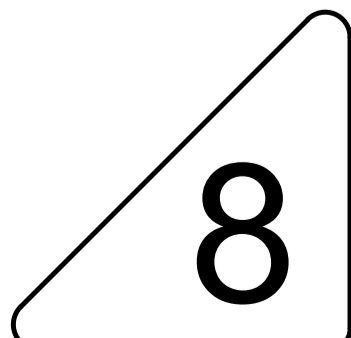
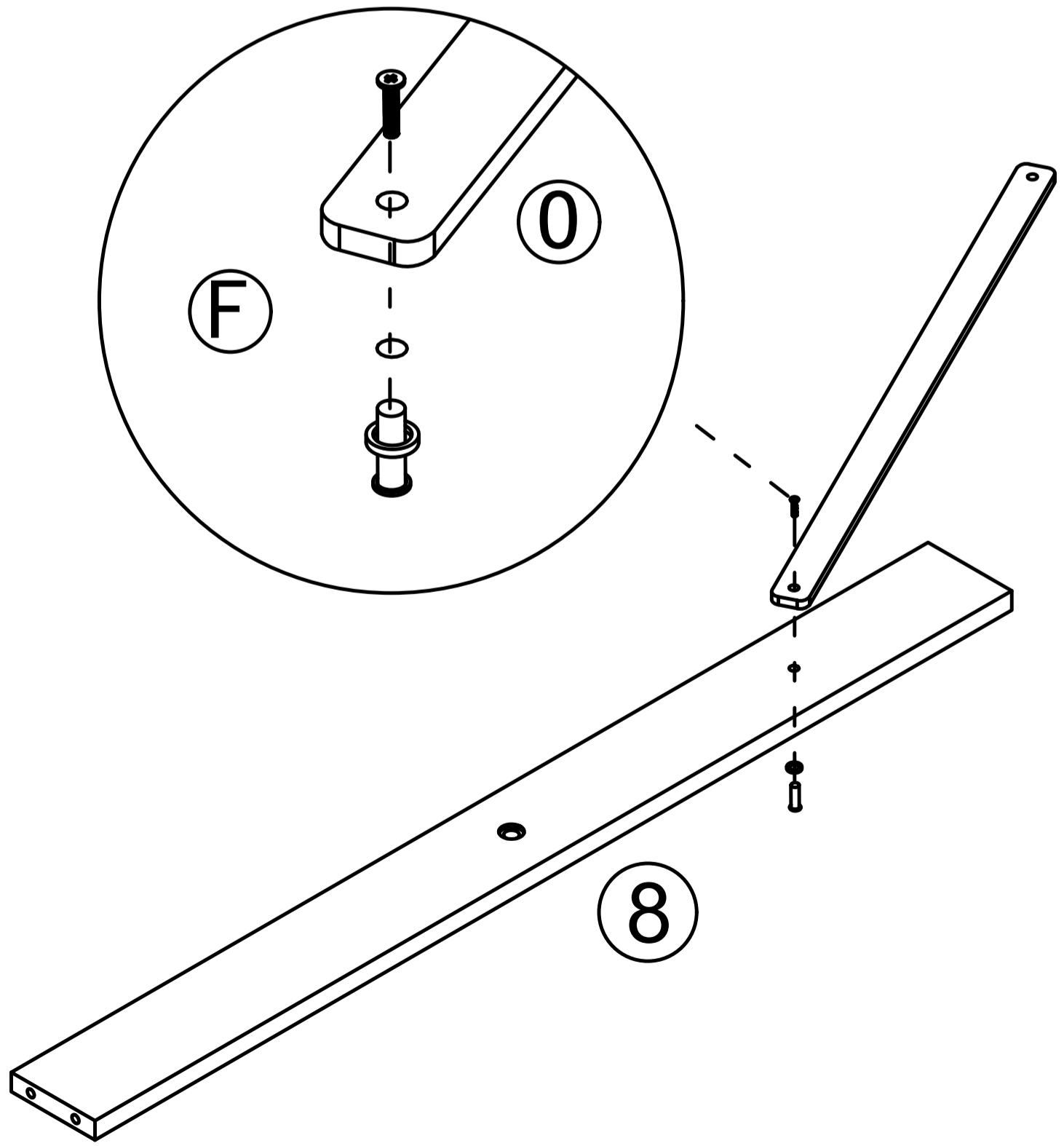
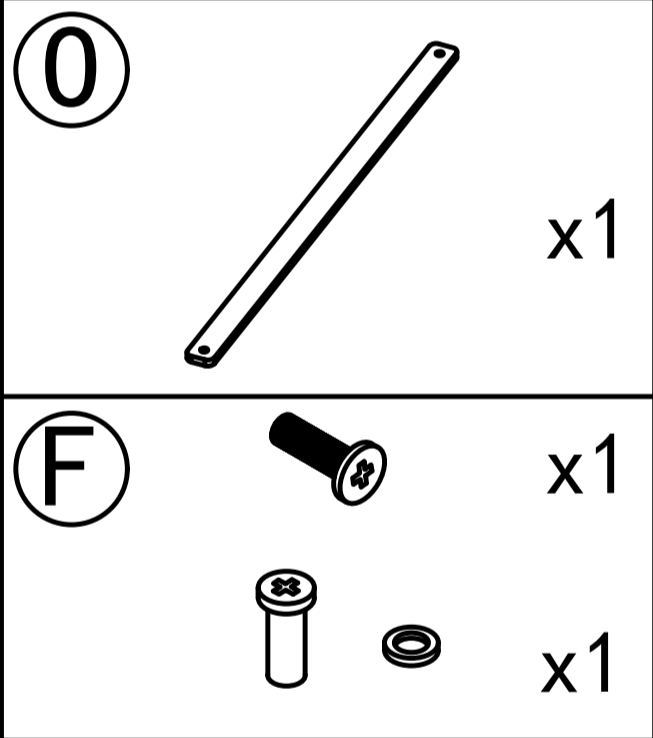
SY



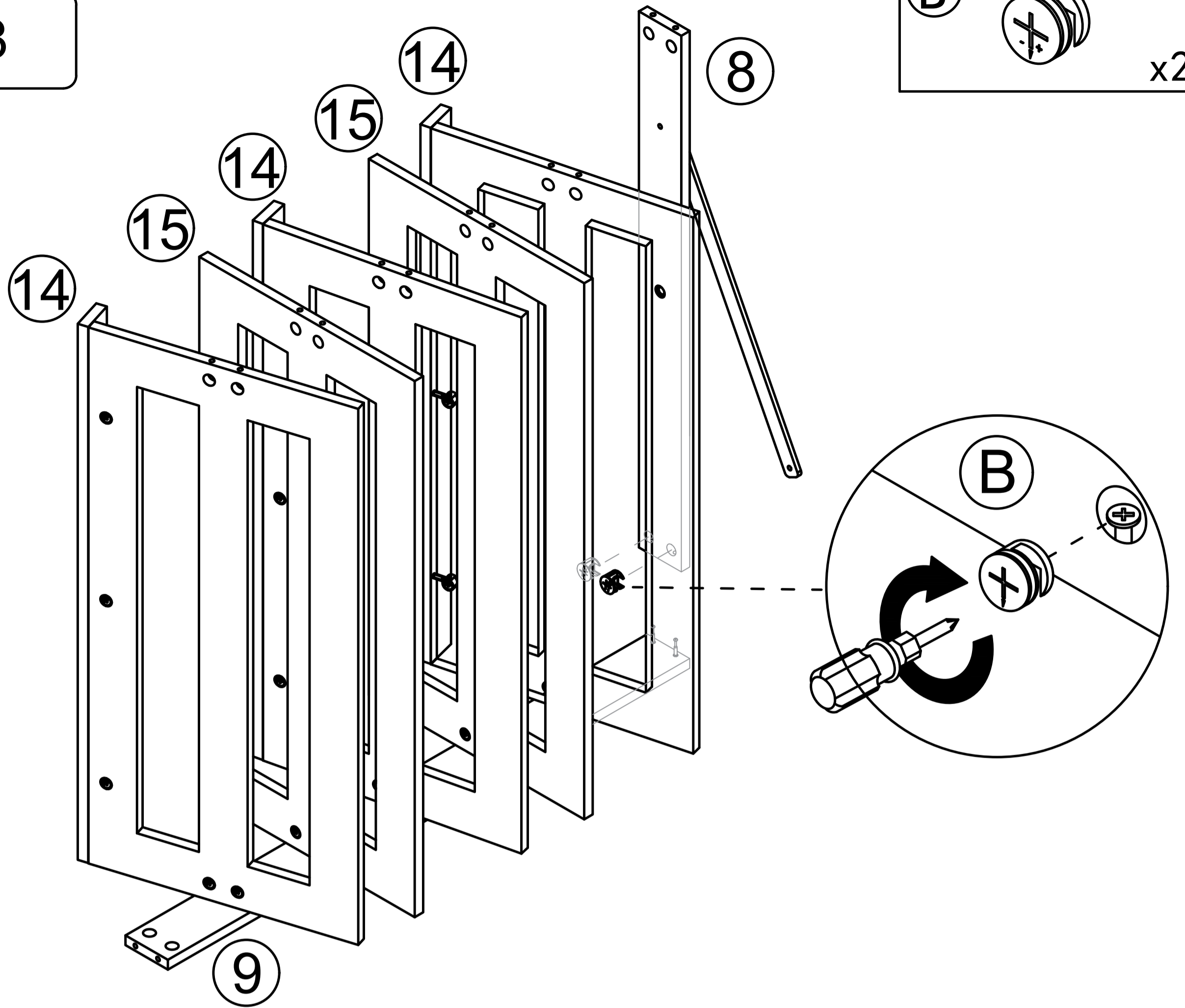
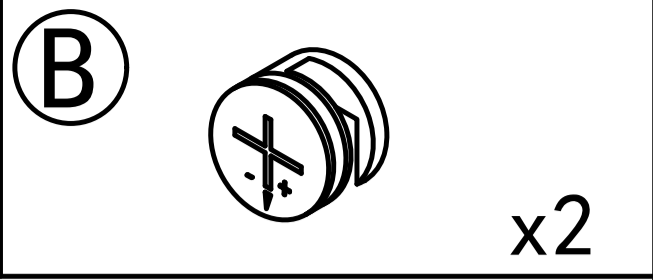
Step 6



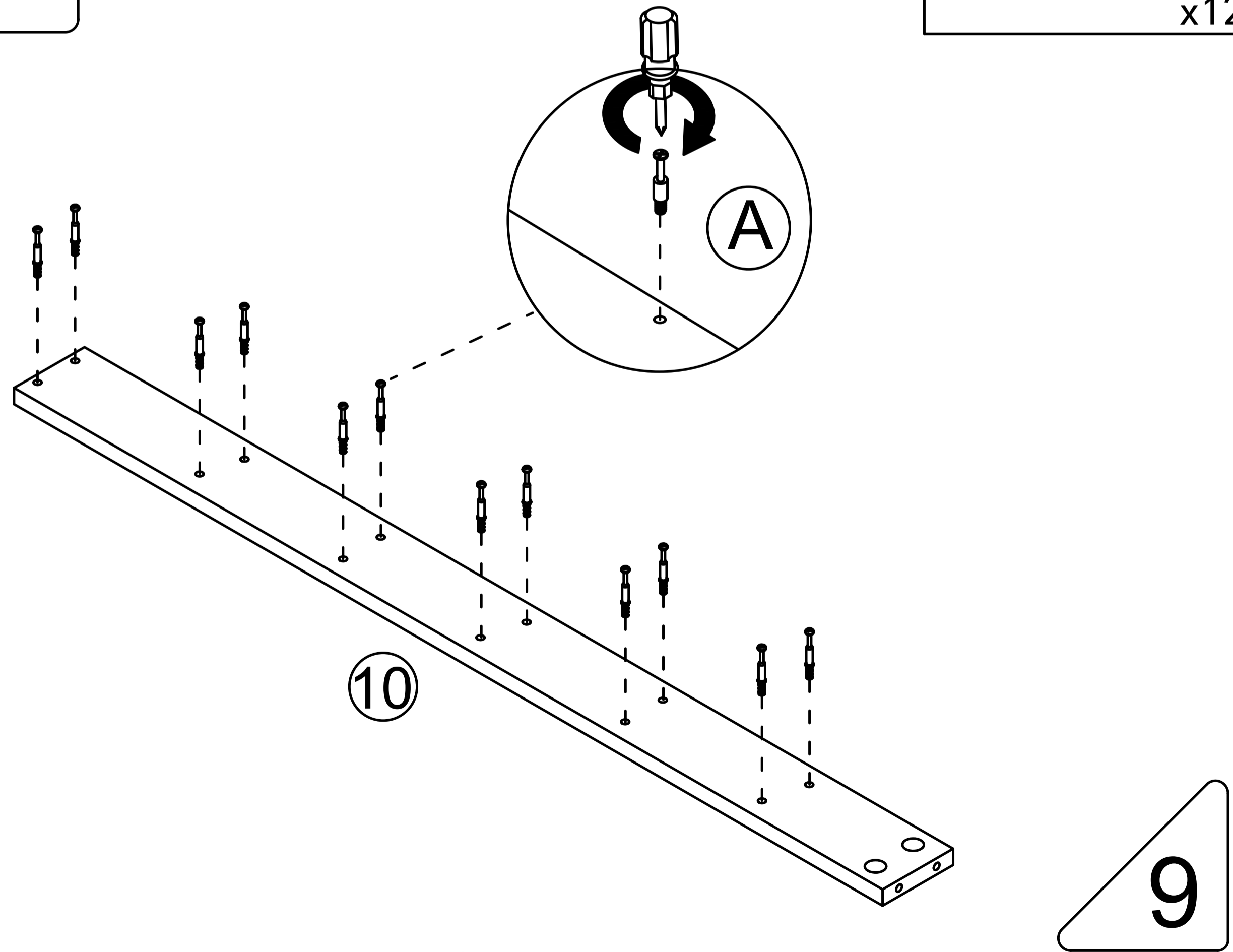
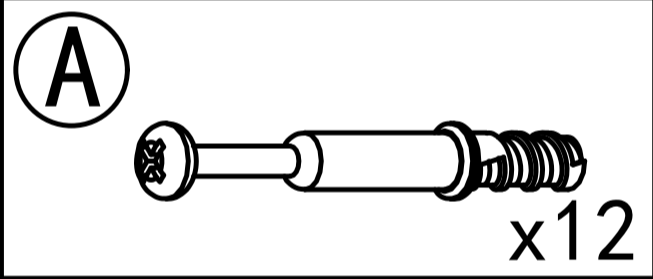
Step 7



Step 8

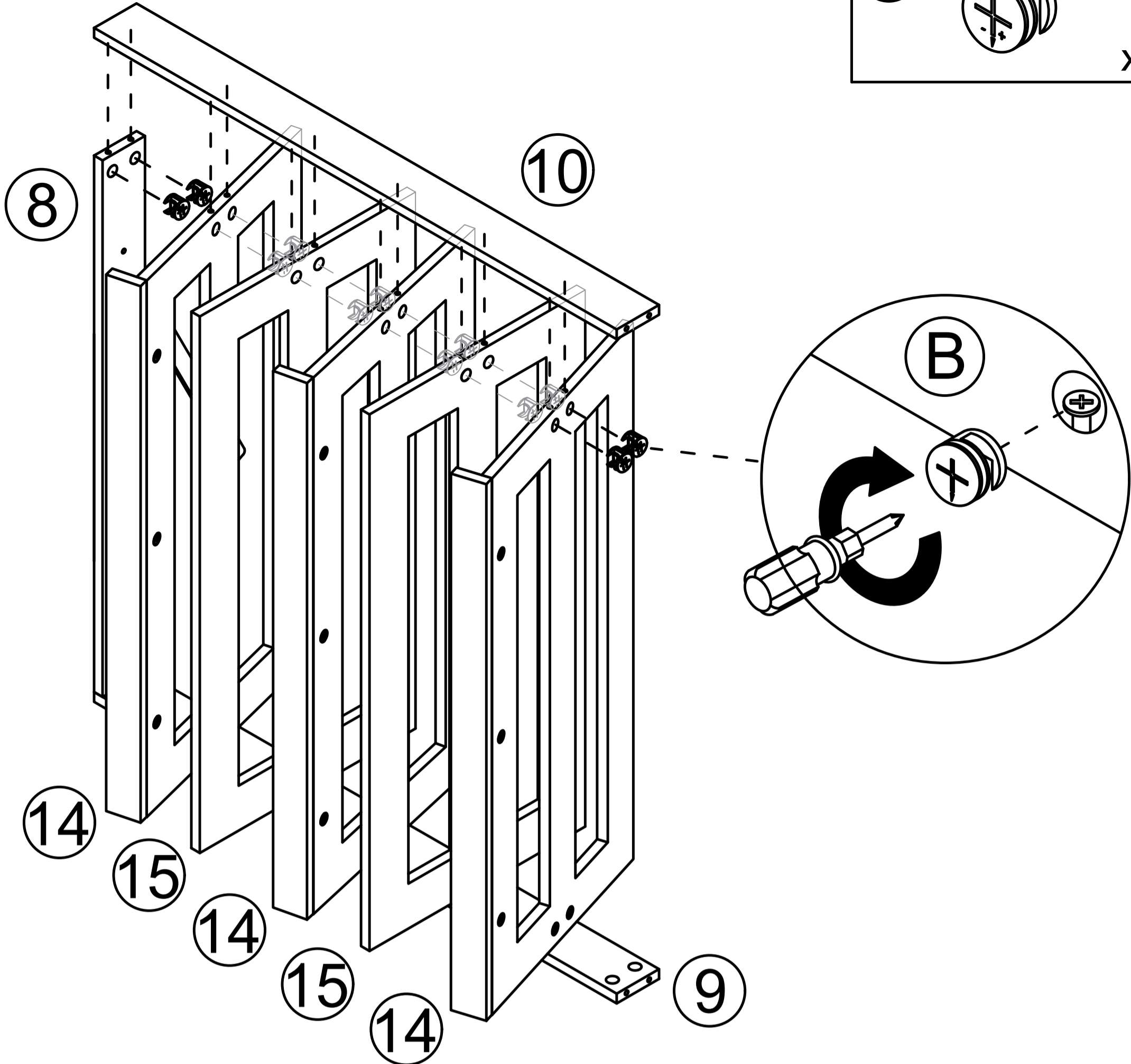
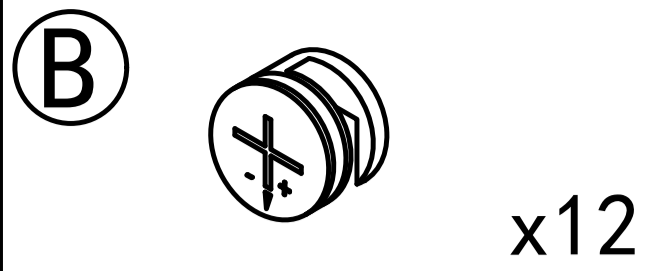


Step 9

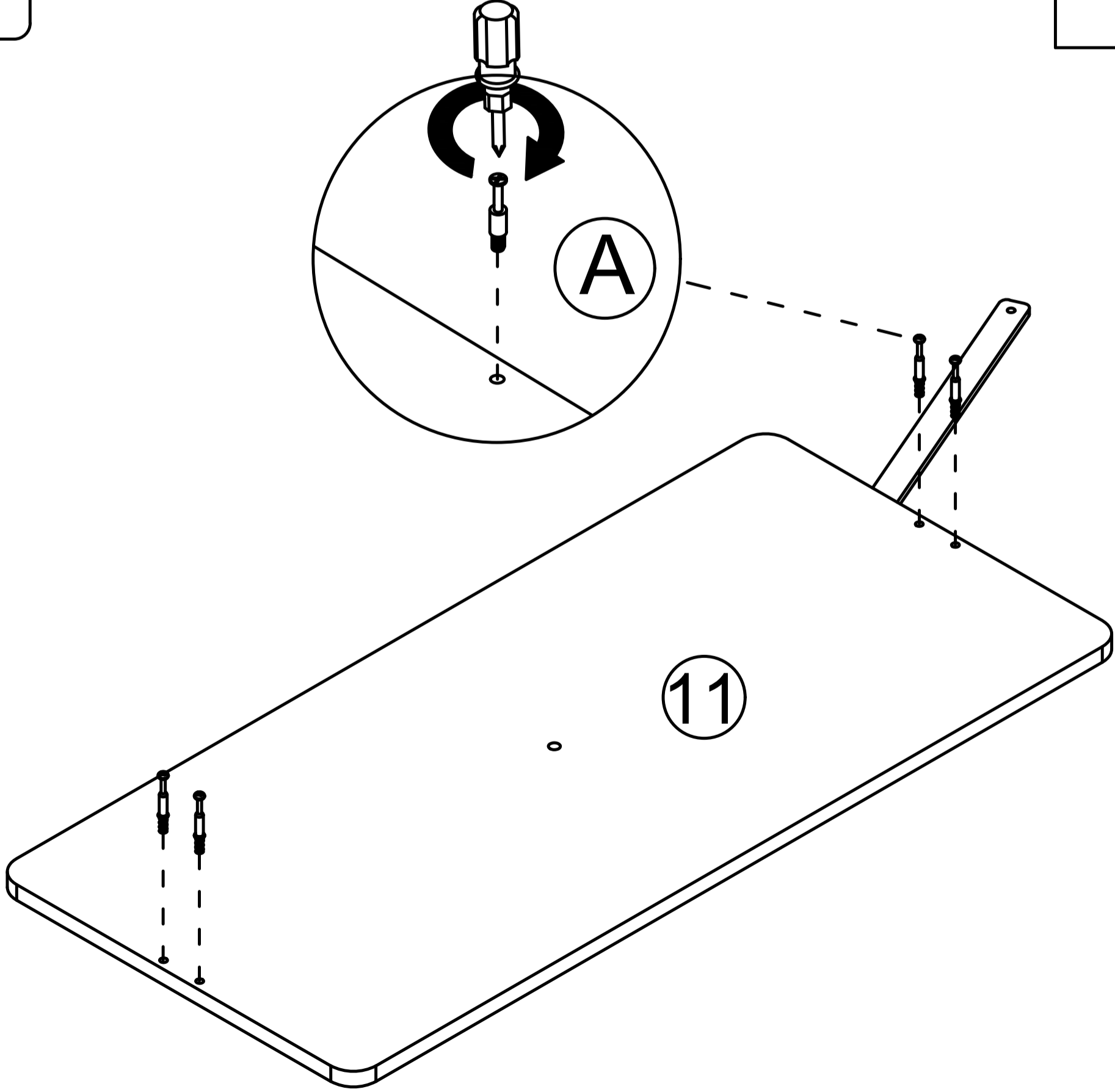
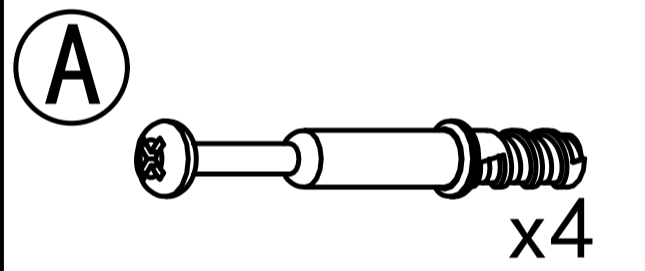


SY

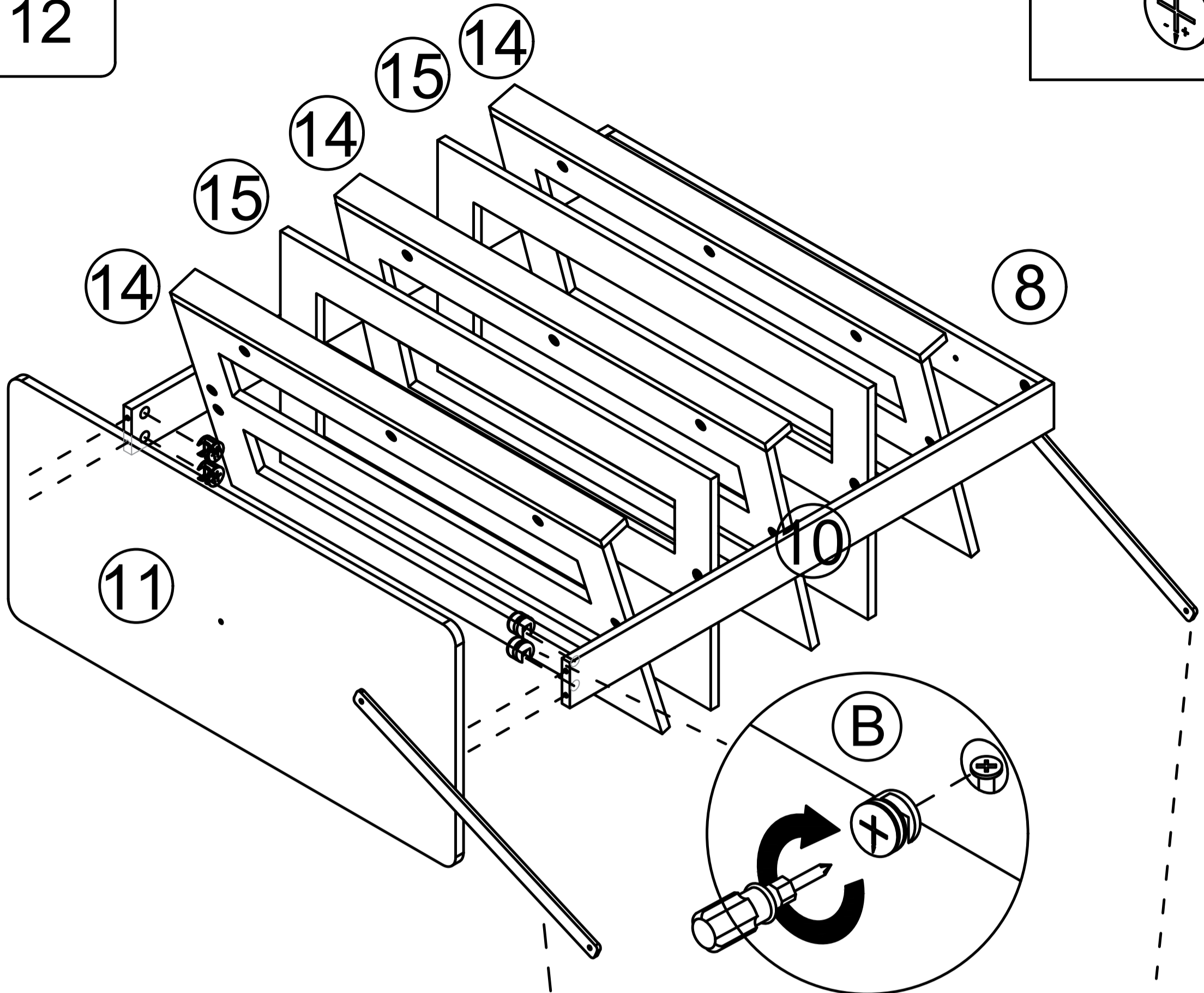
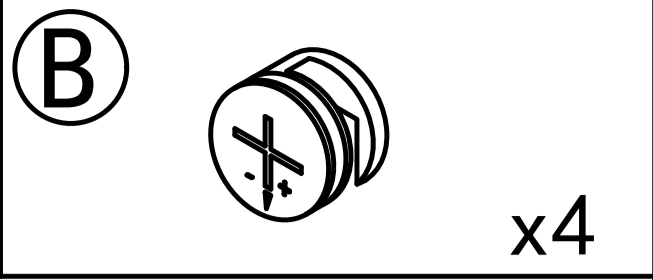
Step 10



Step 11

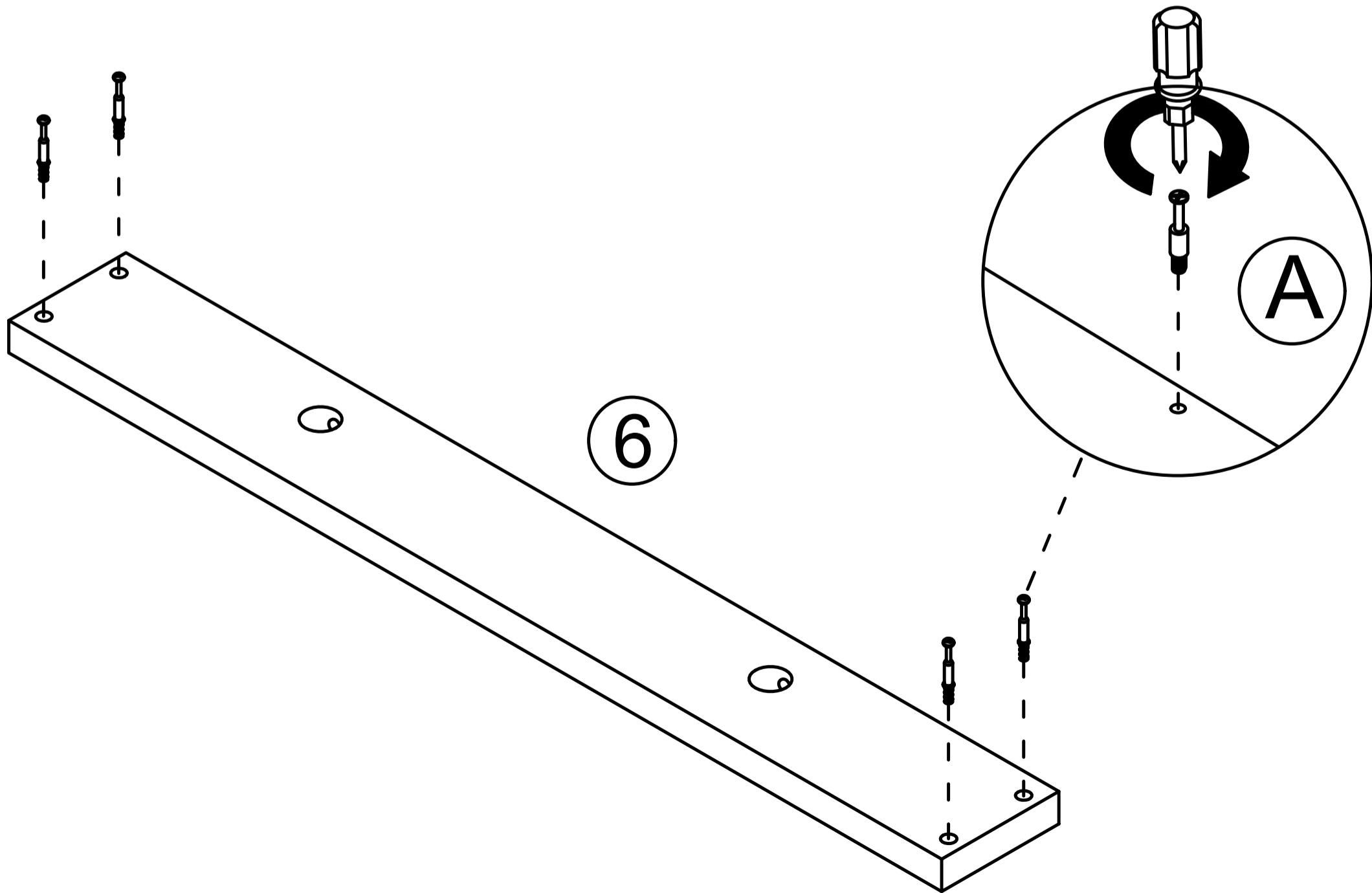
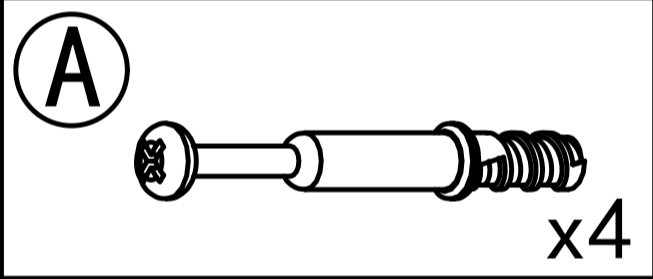


Step 12



After the installation of Board 8 and Board 11, the holes of the O component should face in the same direction.

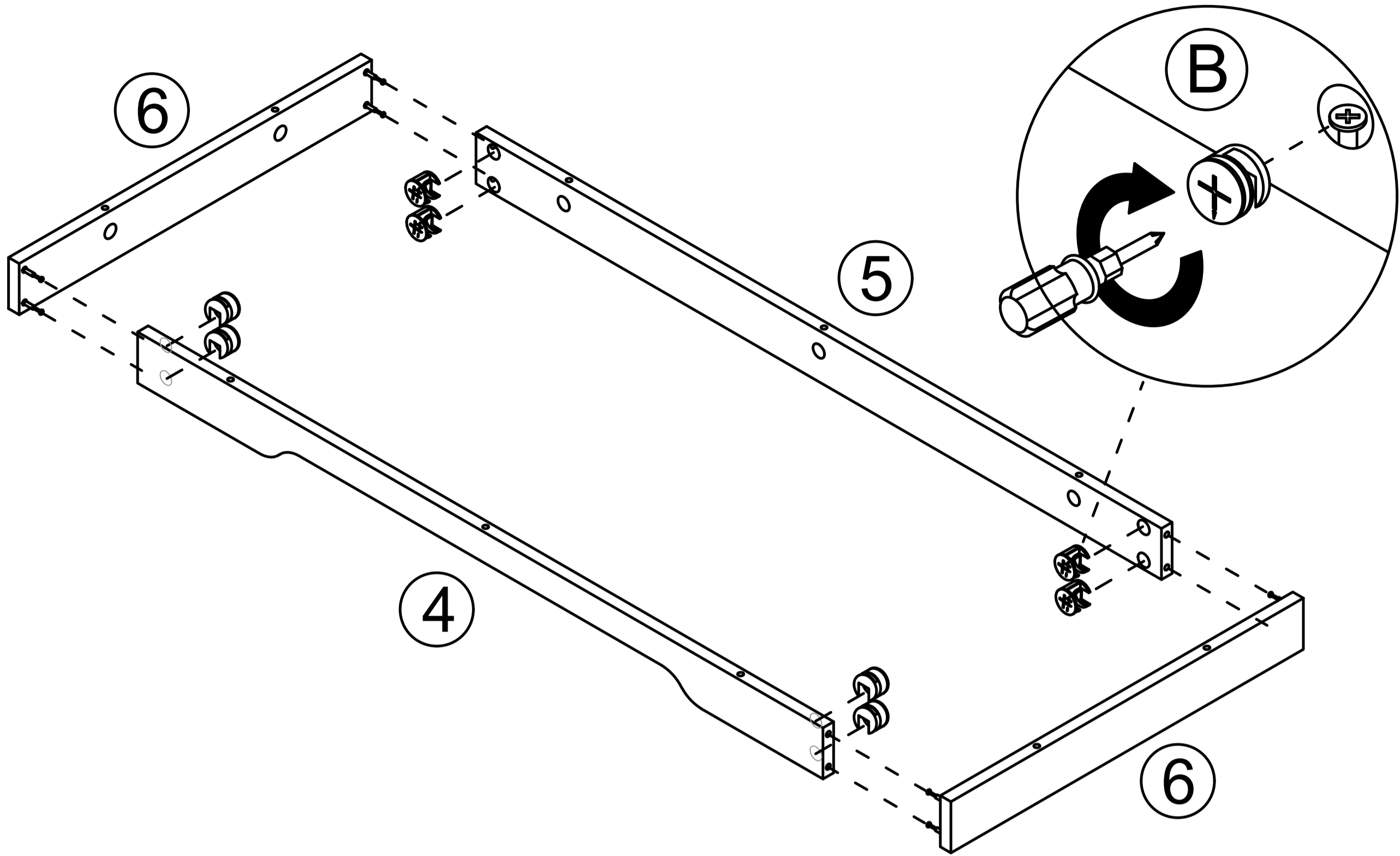
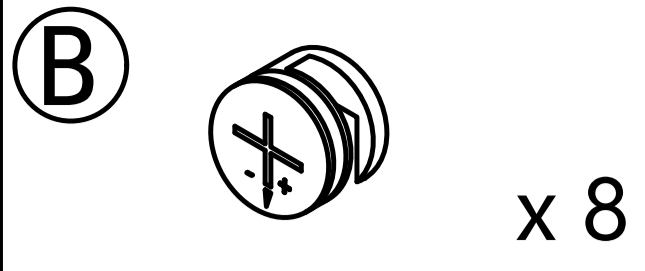
Step 13



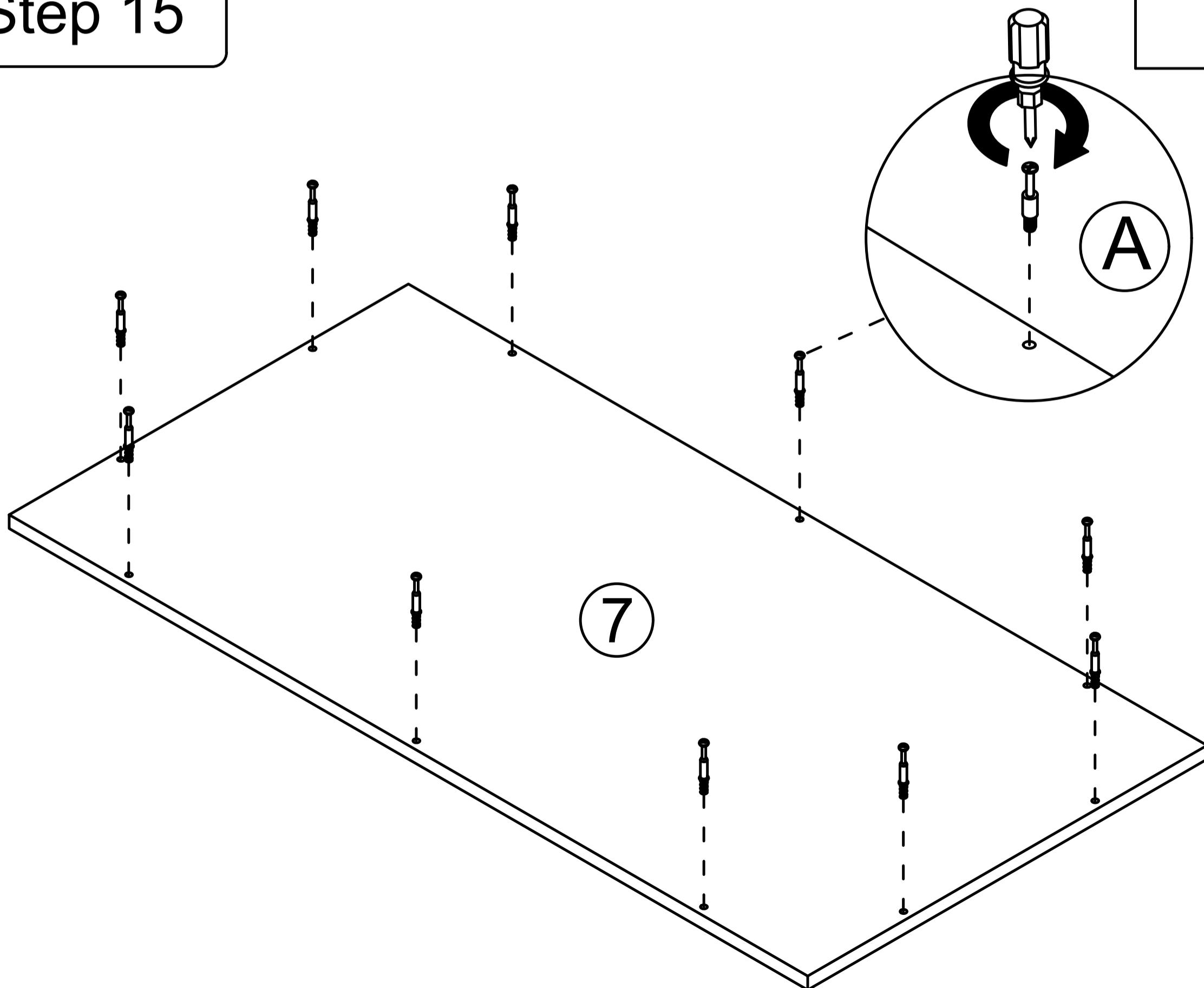
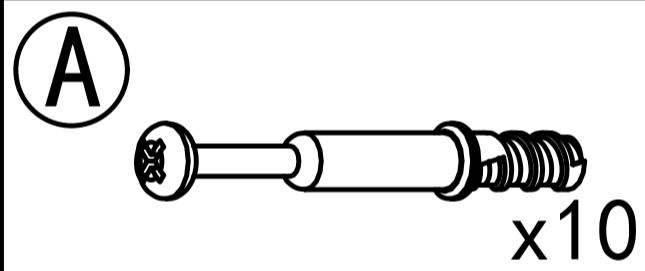
This step is repeated twice

SY

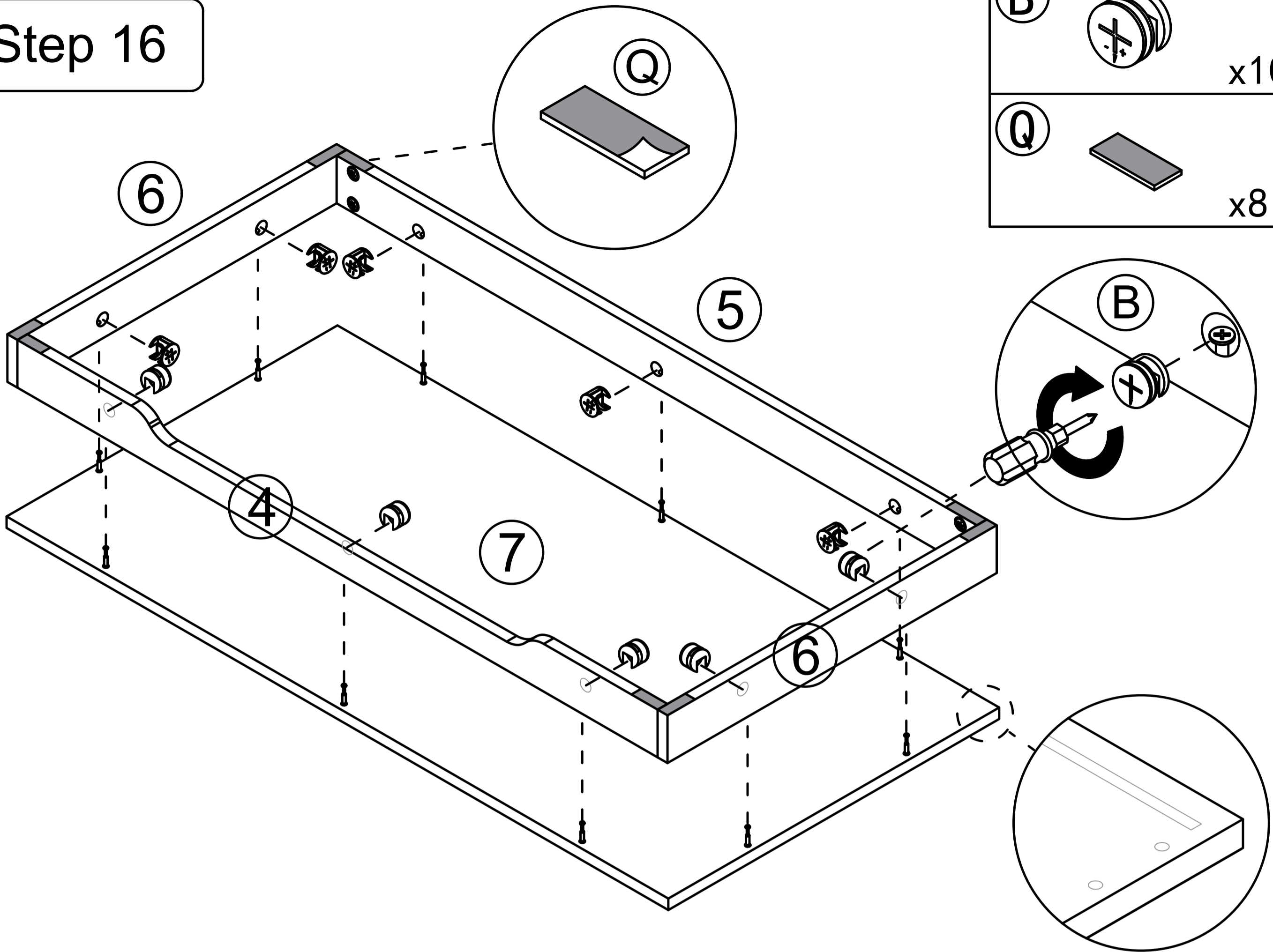
Step 14



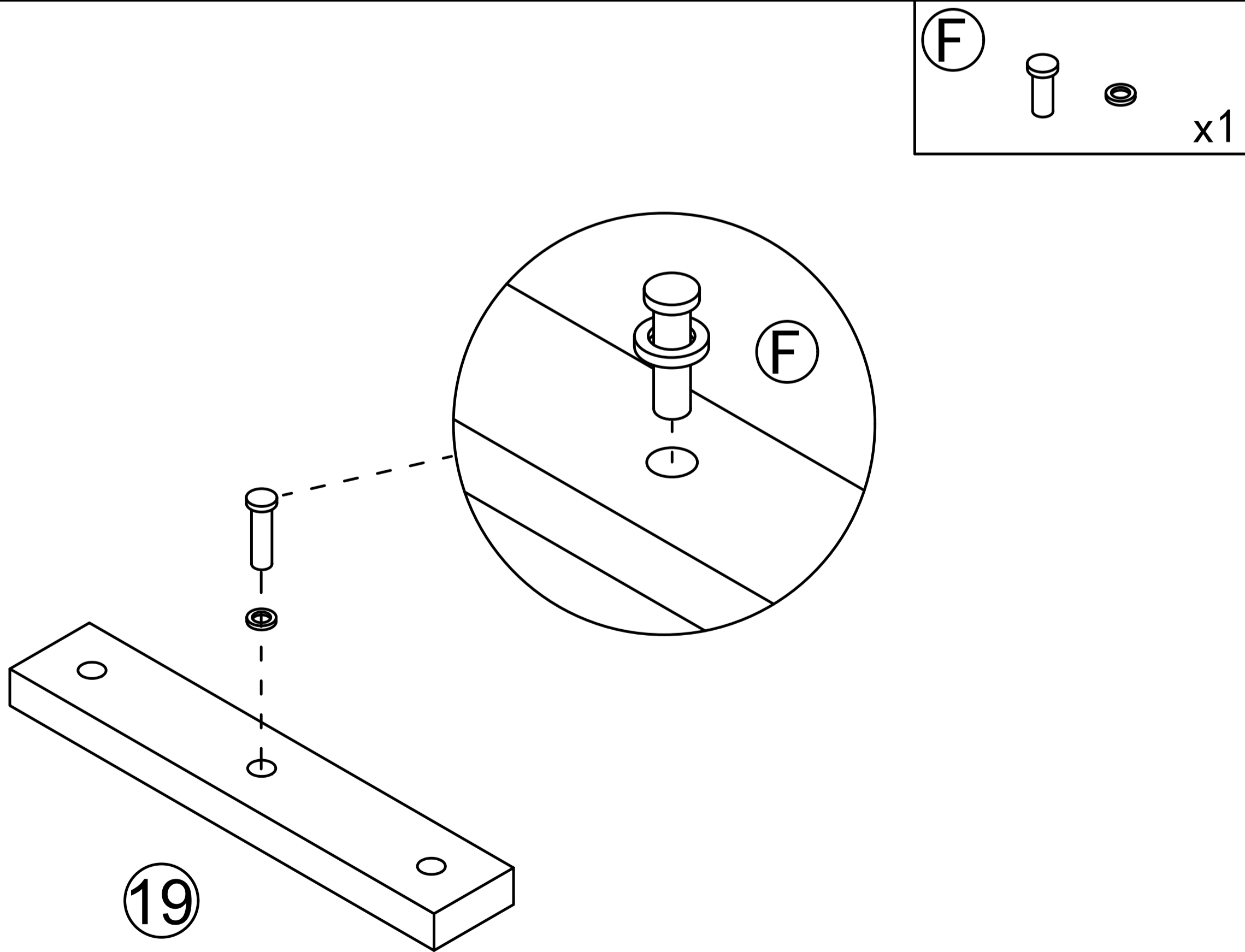
Step 15



Step 16



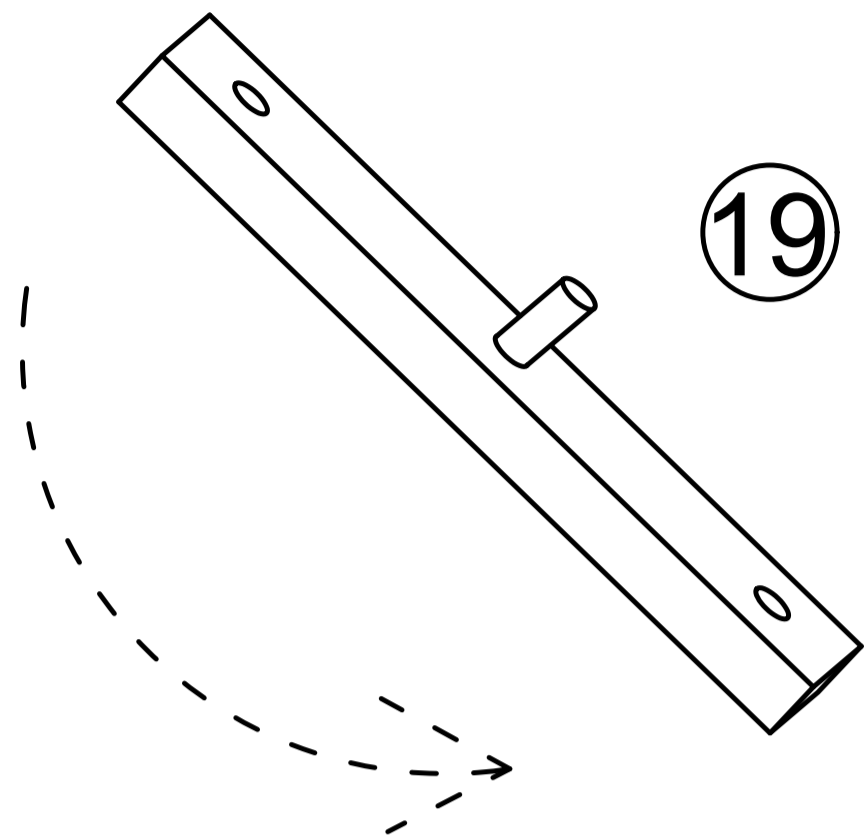
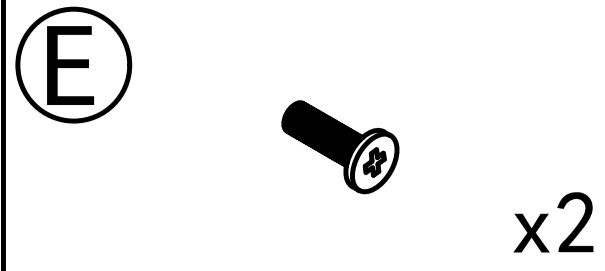
Step 17



This step is repeated twice

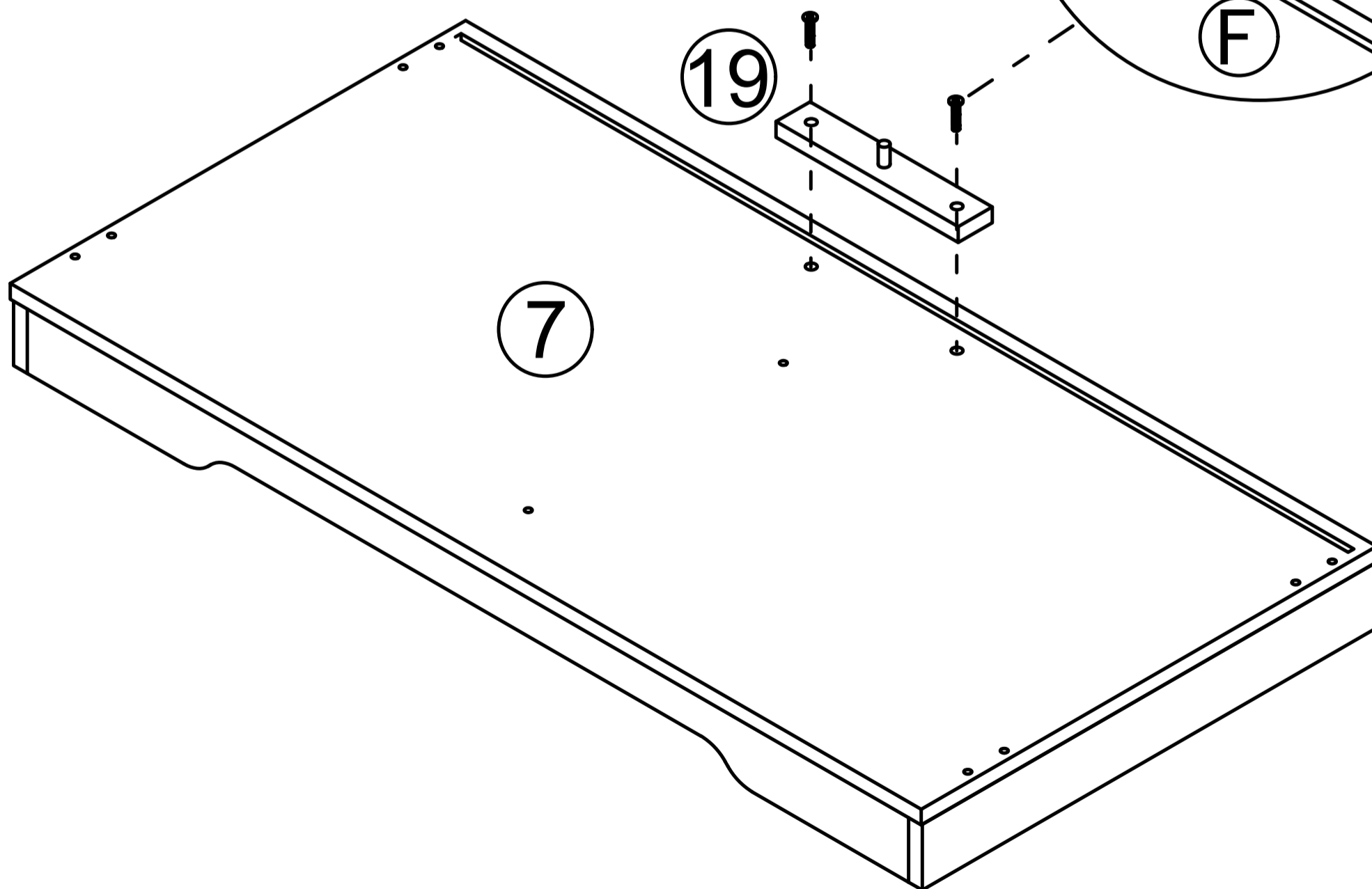
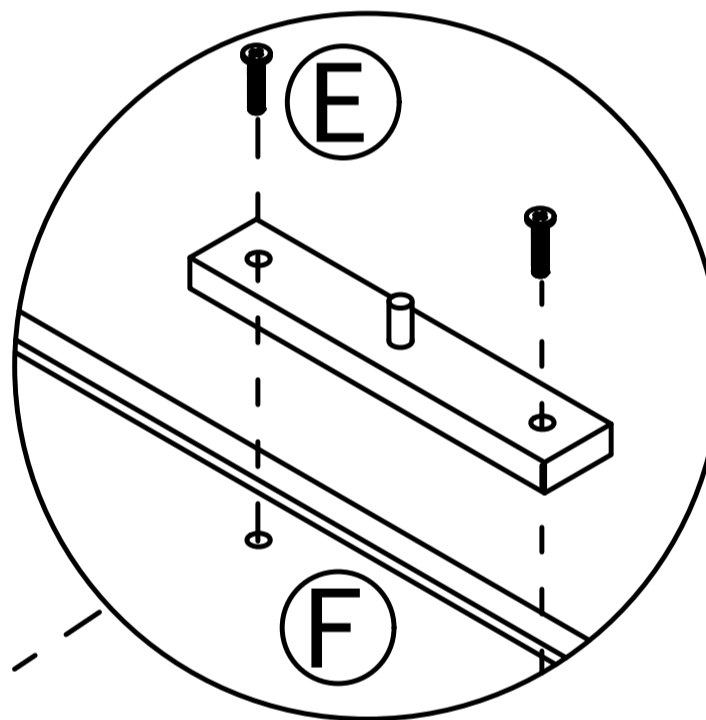
SY

Step 18



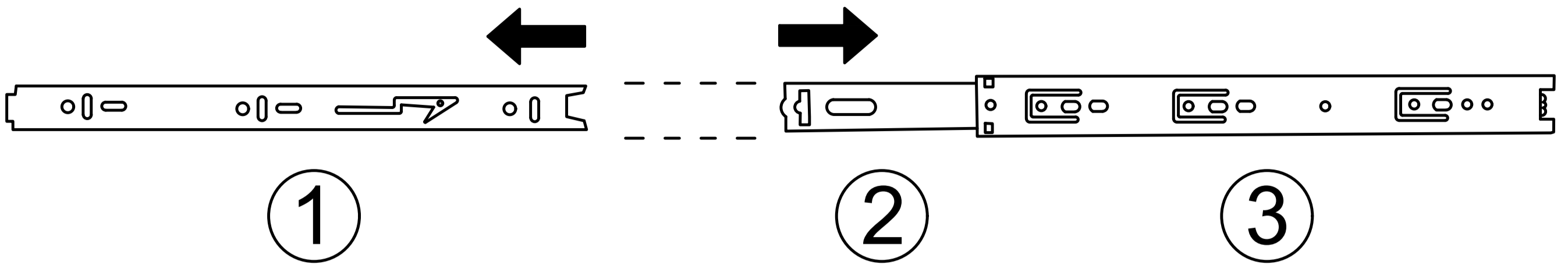
Flip board No. 19 over before installation.

F accessory passes through from the countersunk hole side



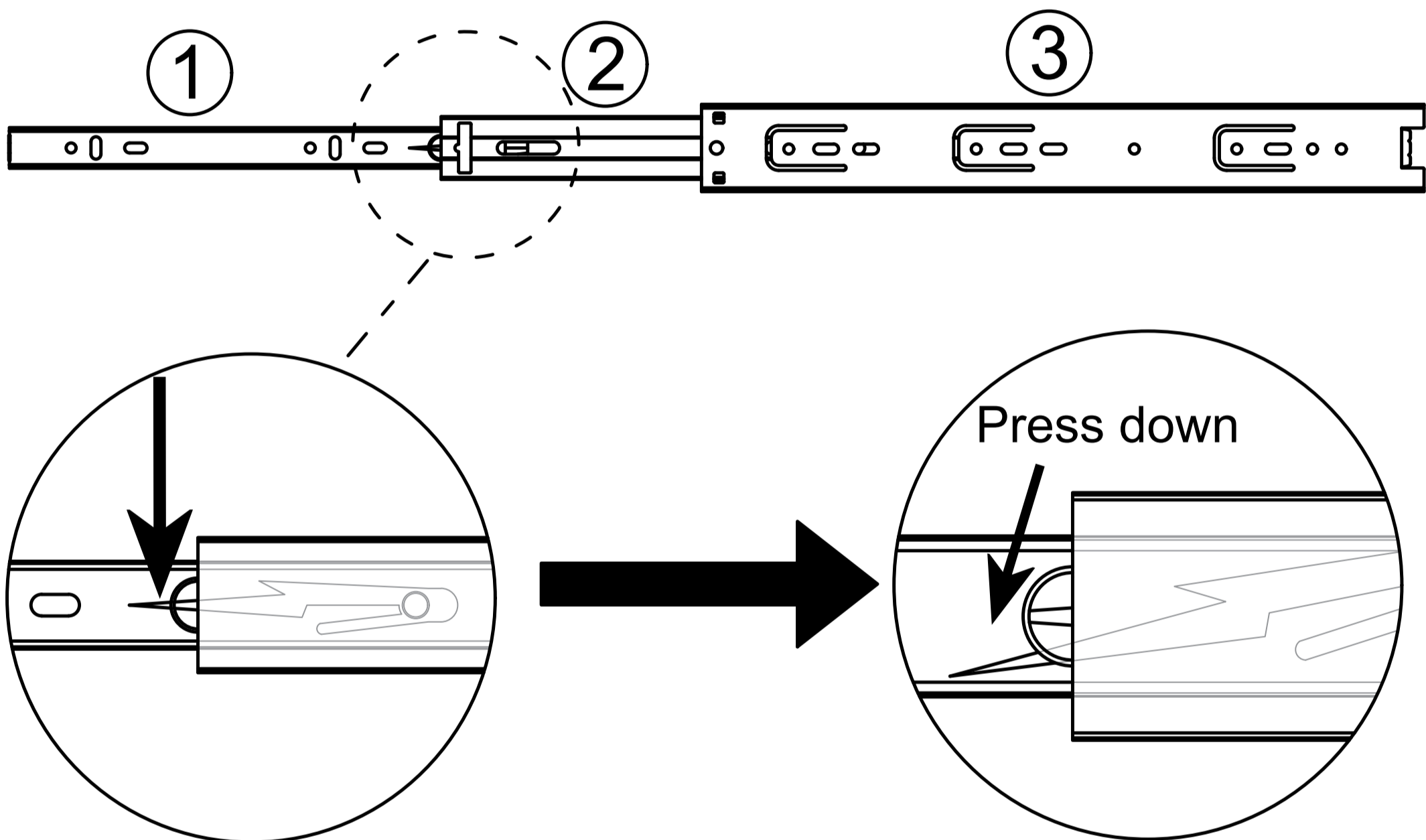
First pass the F accessory connecting rod through in the opposite direction, then tighten the E screw.

Drawer rail breakdown diagram



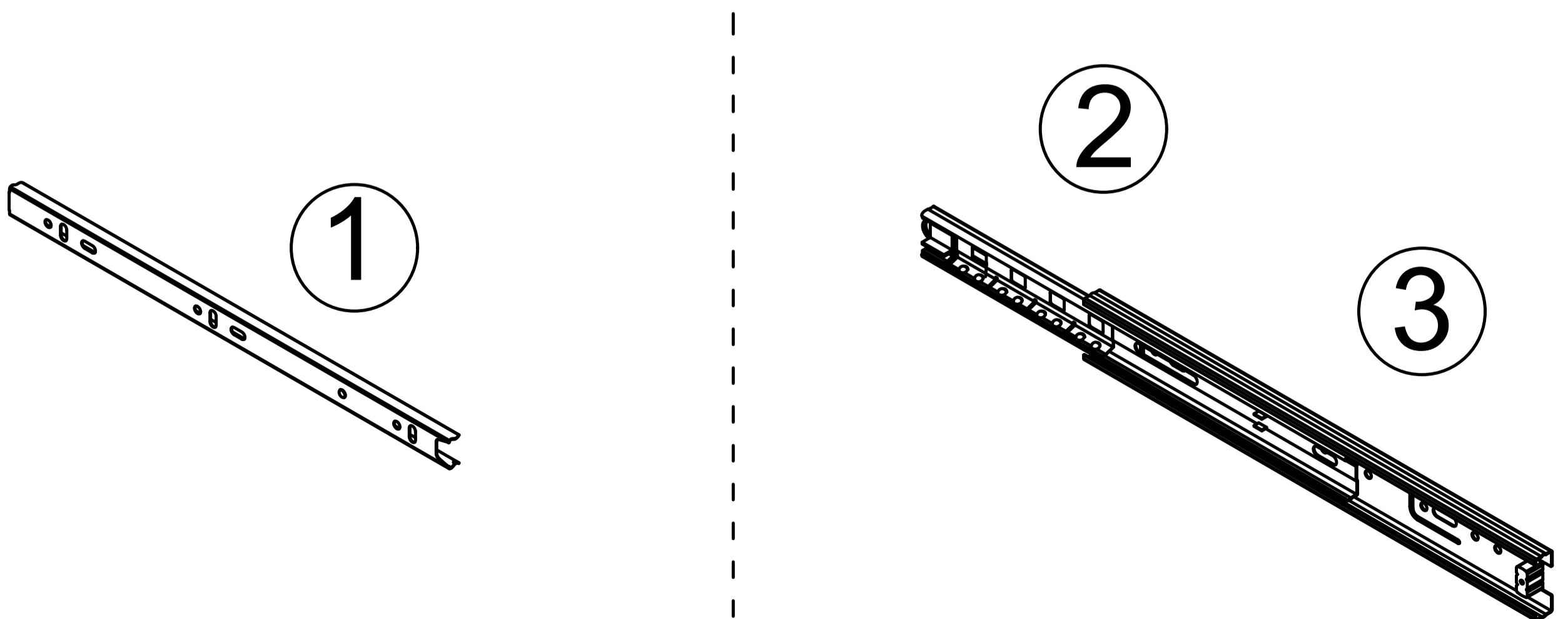
① Dismantle the schematic diagram

Step 1 : Pull the rails apart

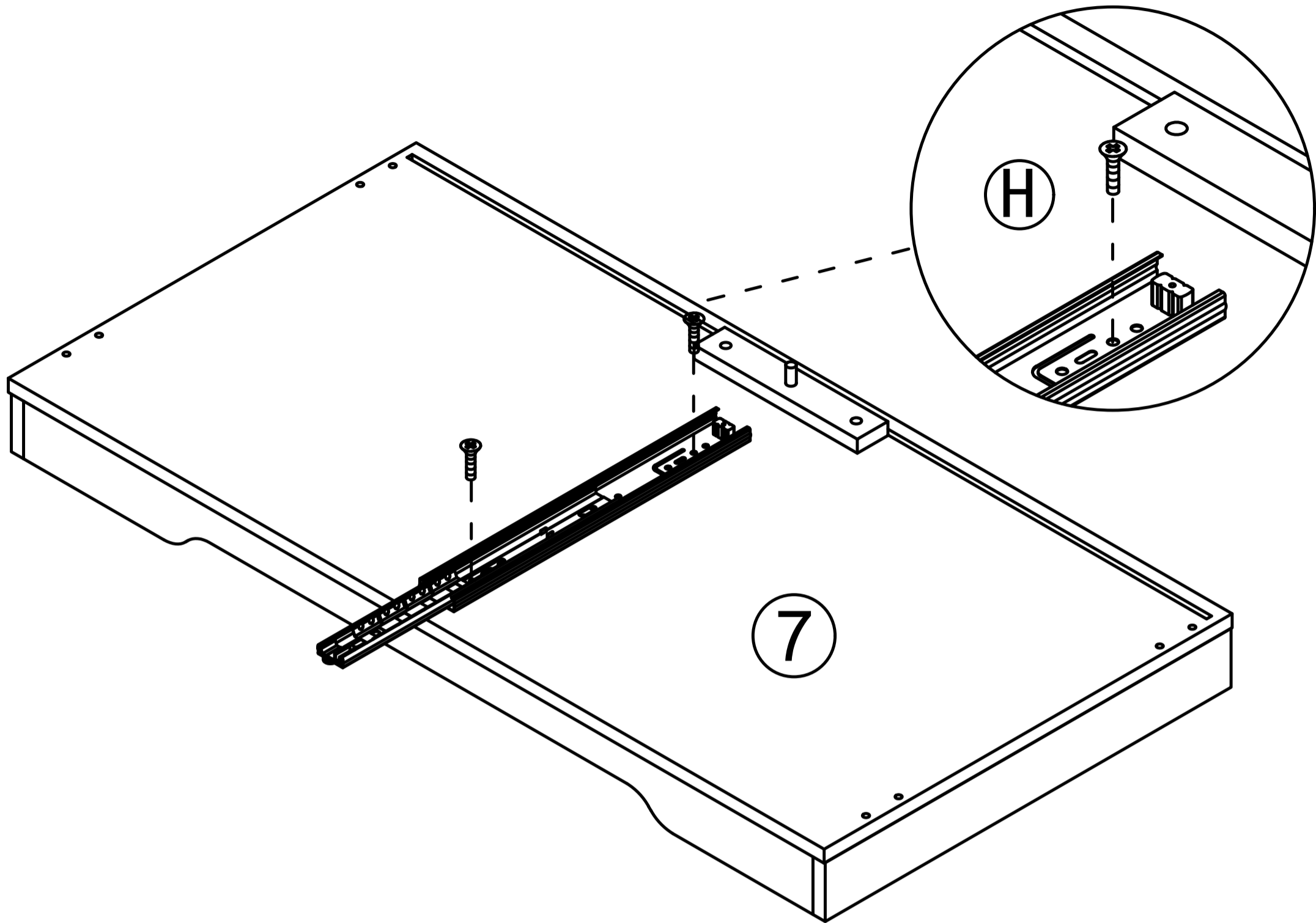
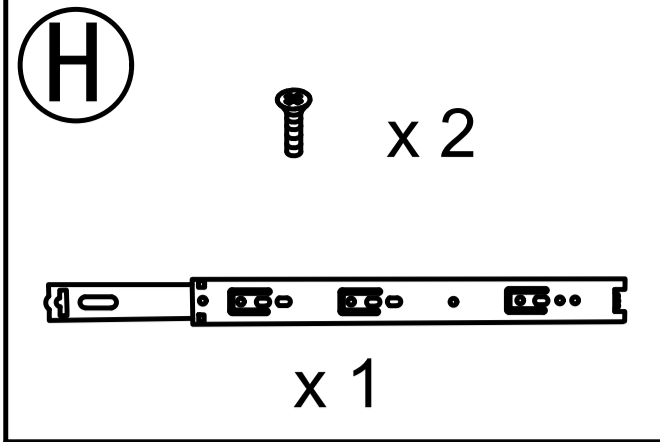
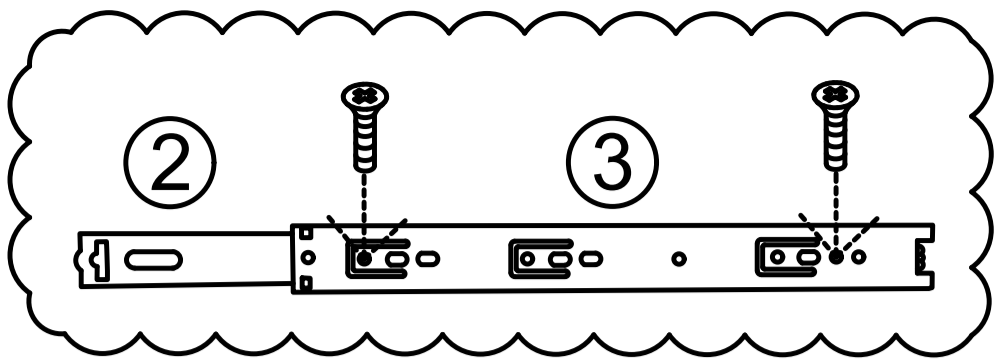


Step 2 : Press the nylon button and pull out ①.

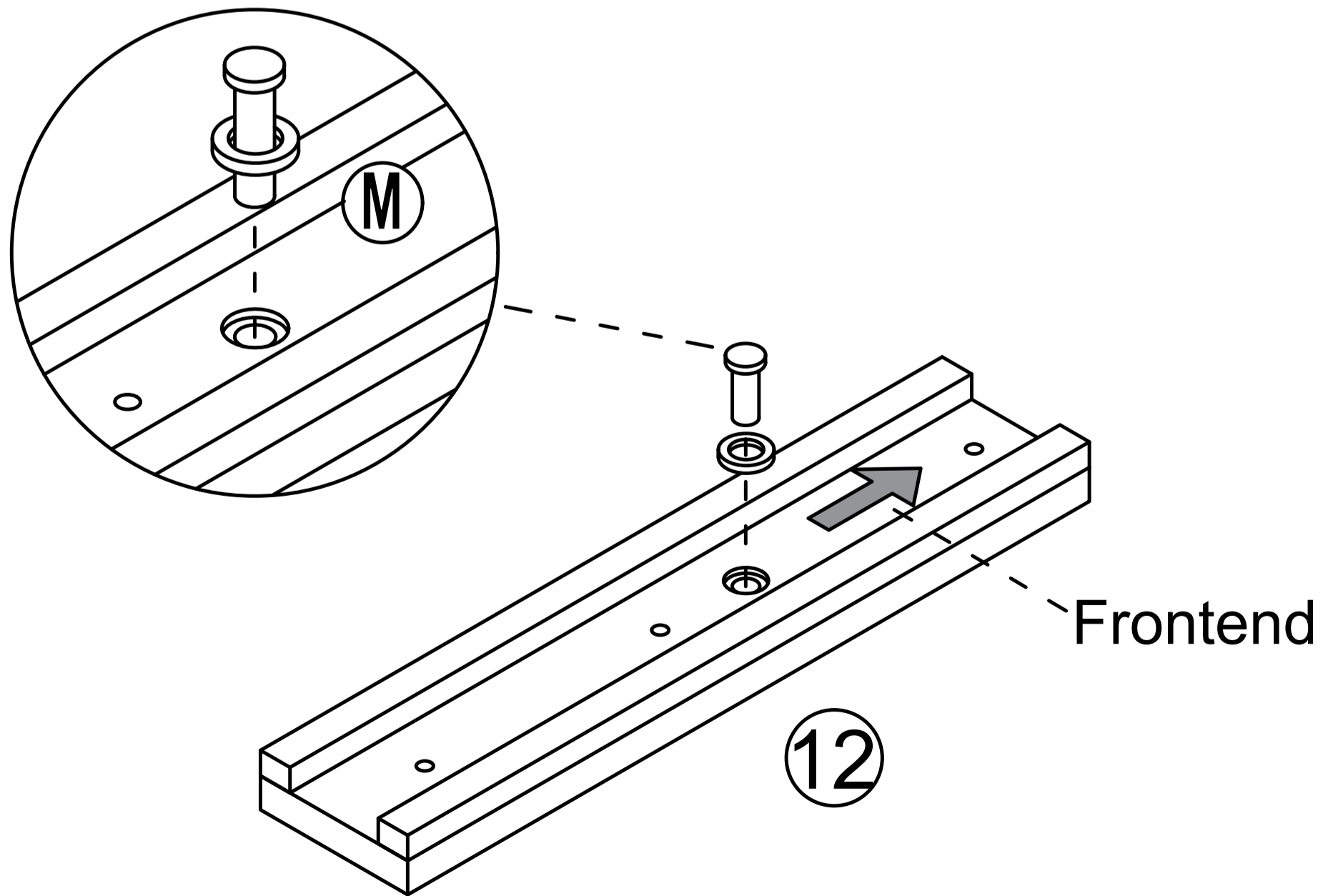
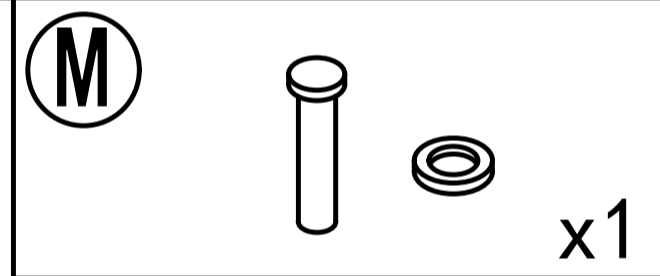
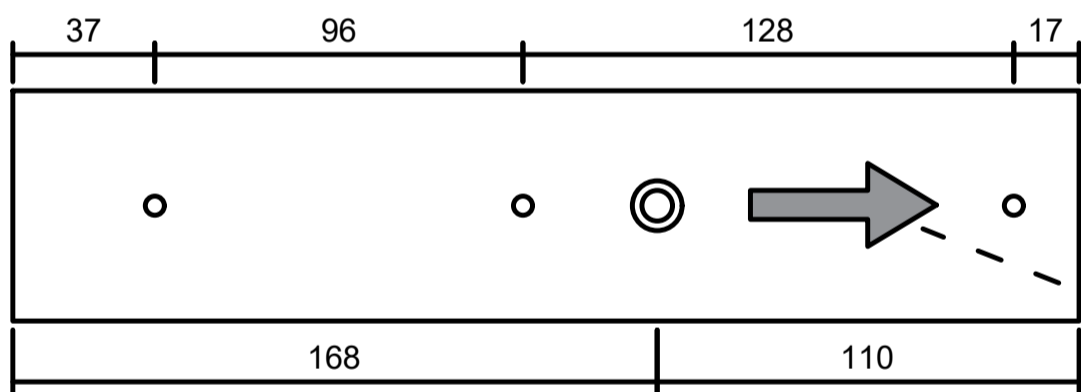
Drawer rail decomposition completed schematic diagram



Step 19

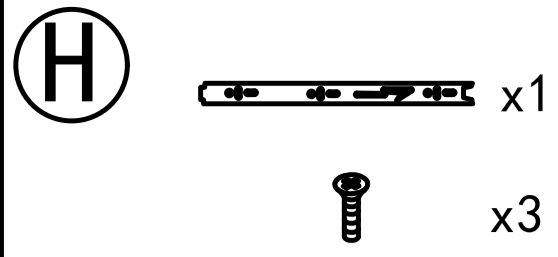
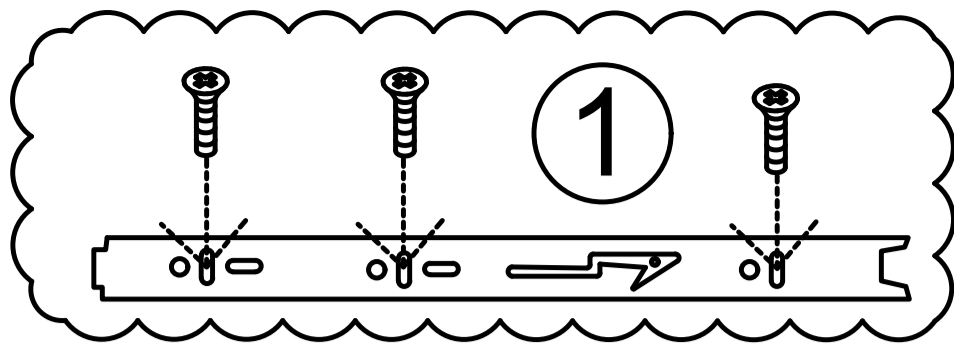


Step 20

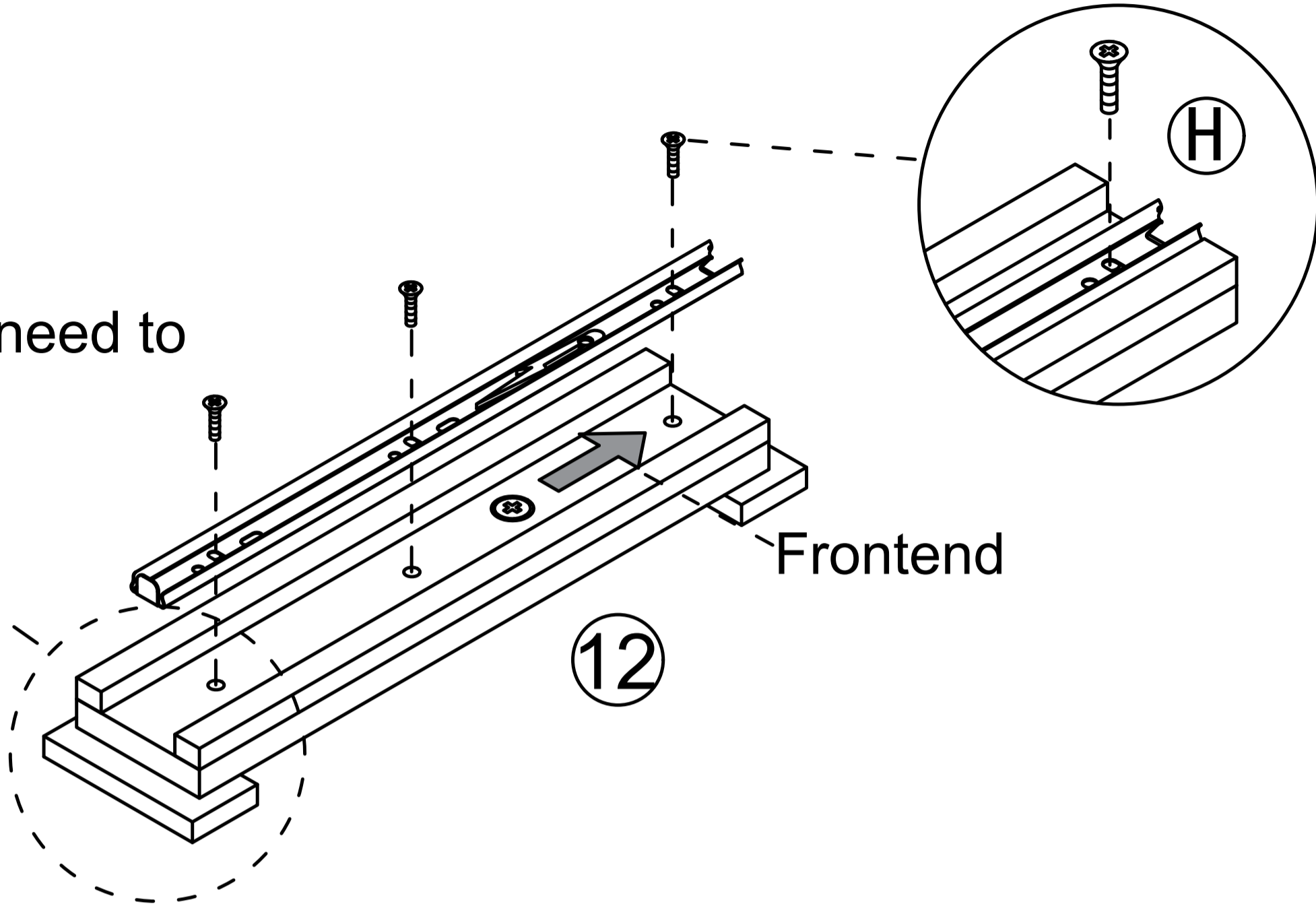


This step is repeated twice
SY

Step 21

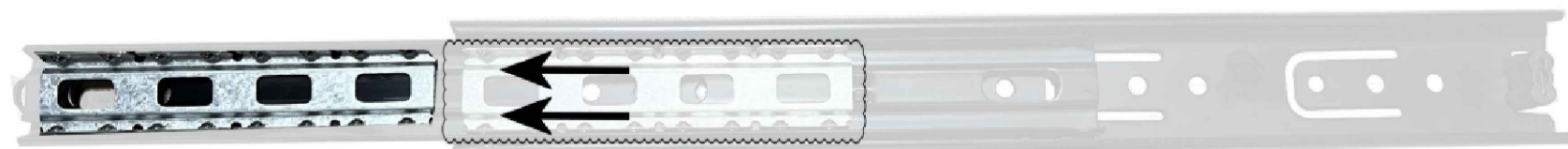
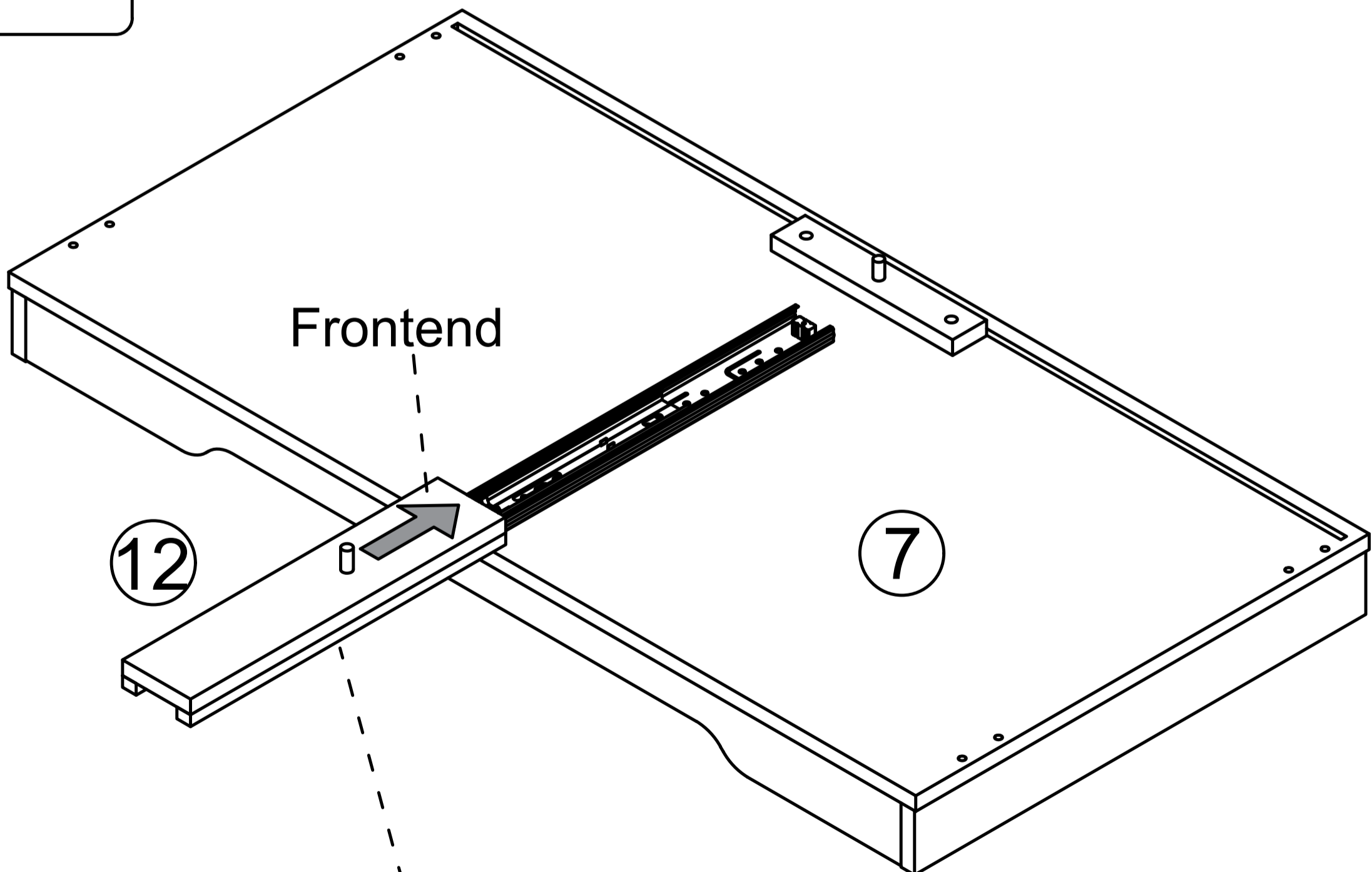


When installing H accessories, you need to raise them during installation.



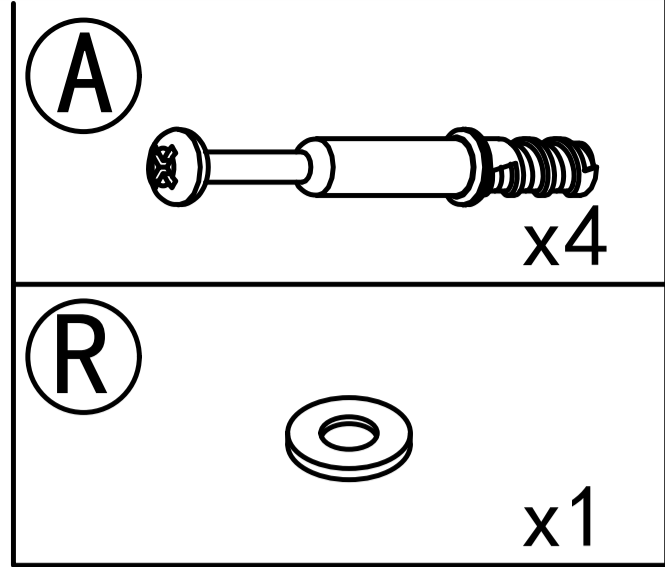
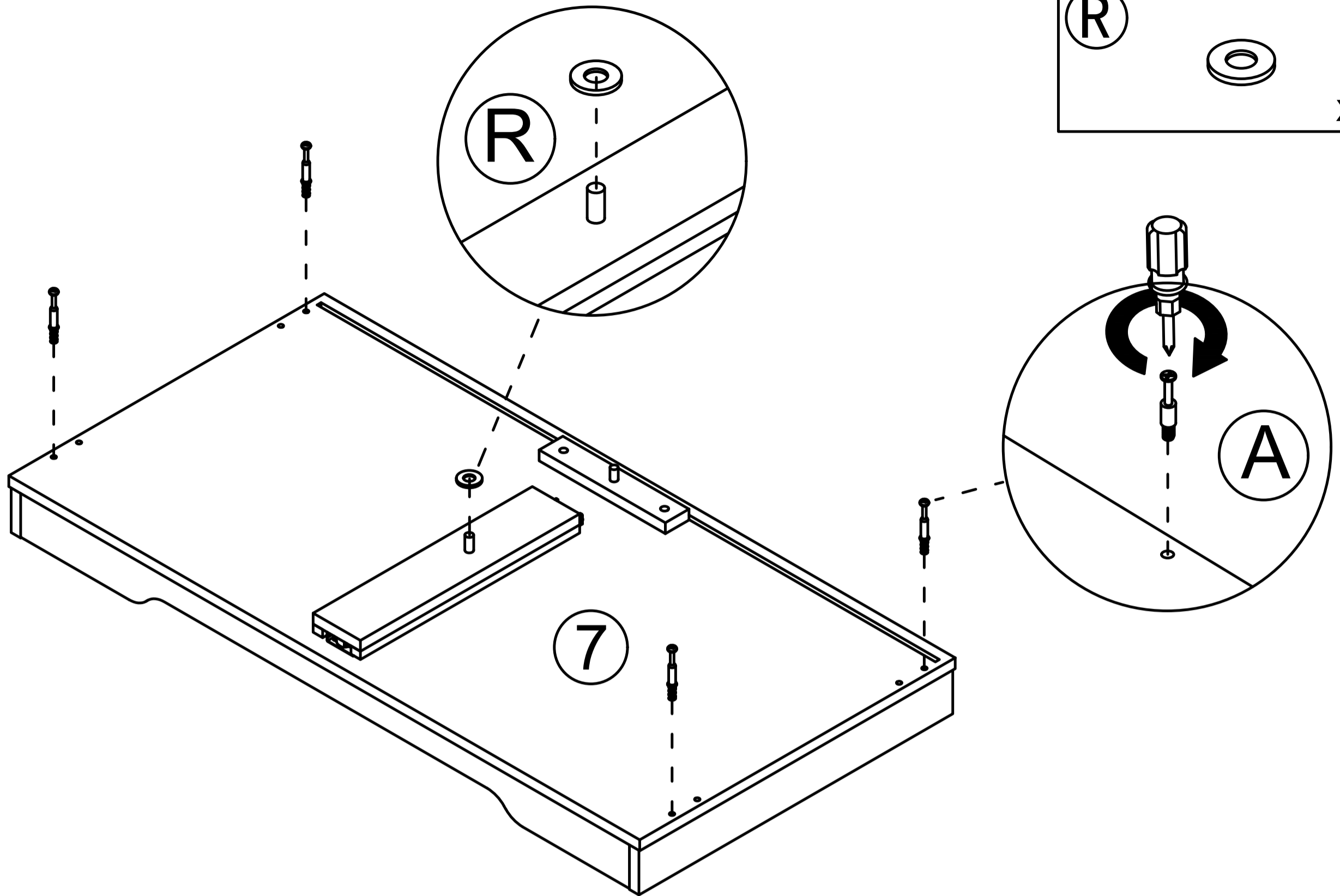
This step is repeated twice

Step 22

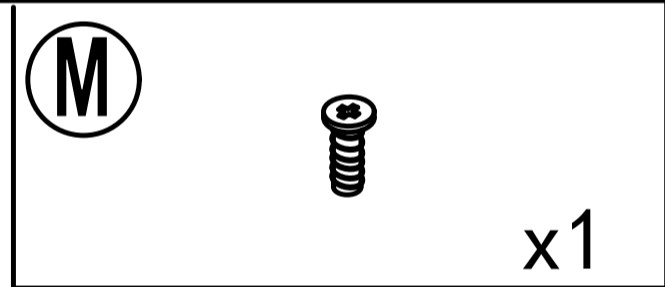
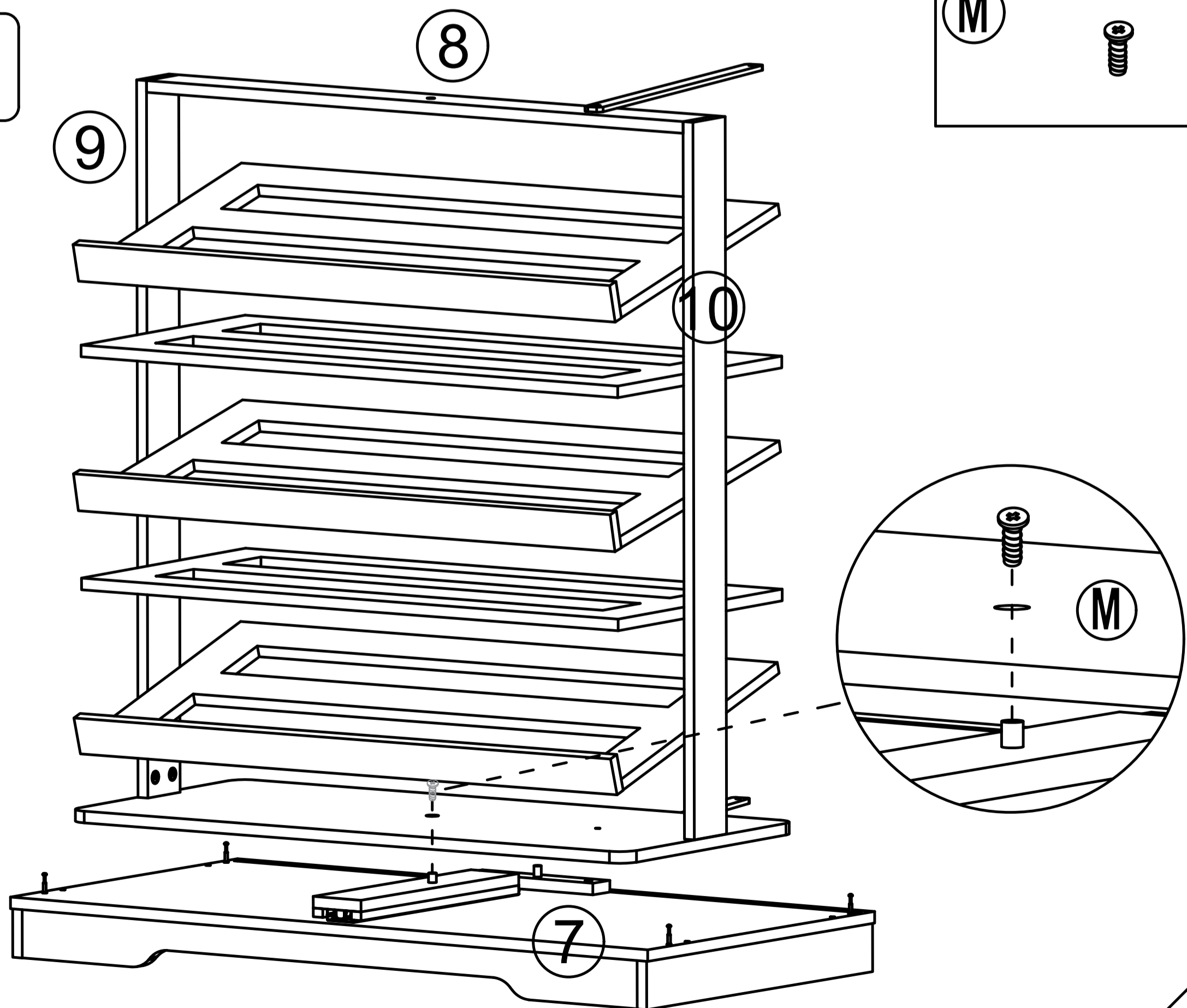


As shown, When installing the drawer, pull the guide rail out first, Slide beads are also pulled out.

Step 23



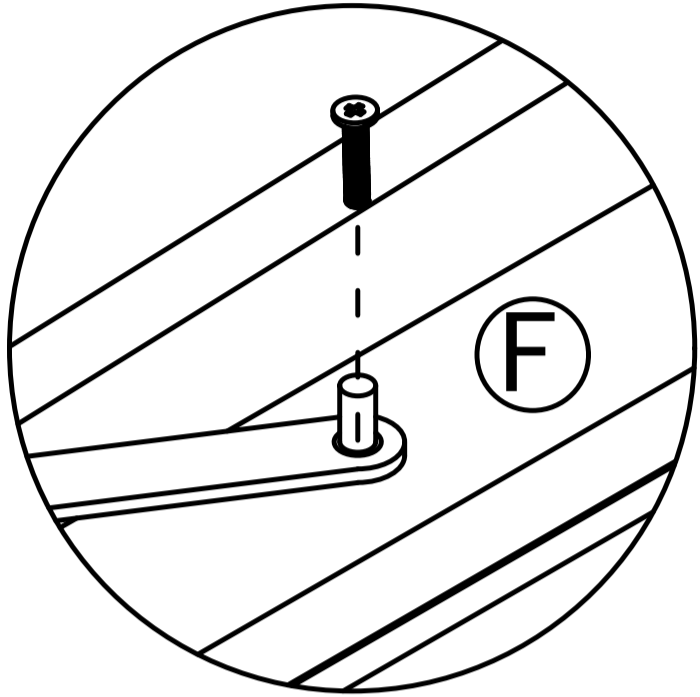
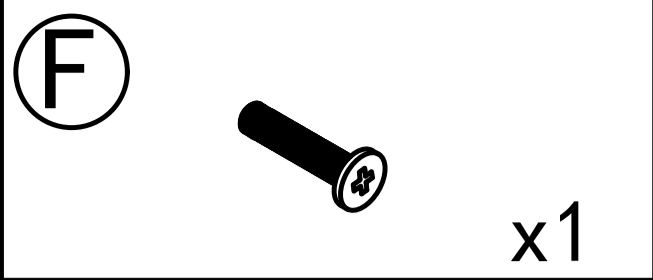
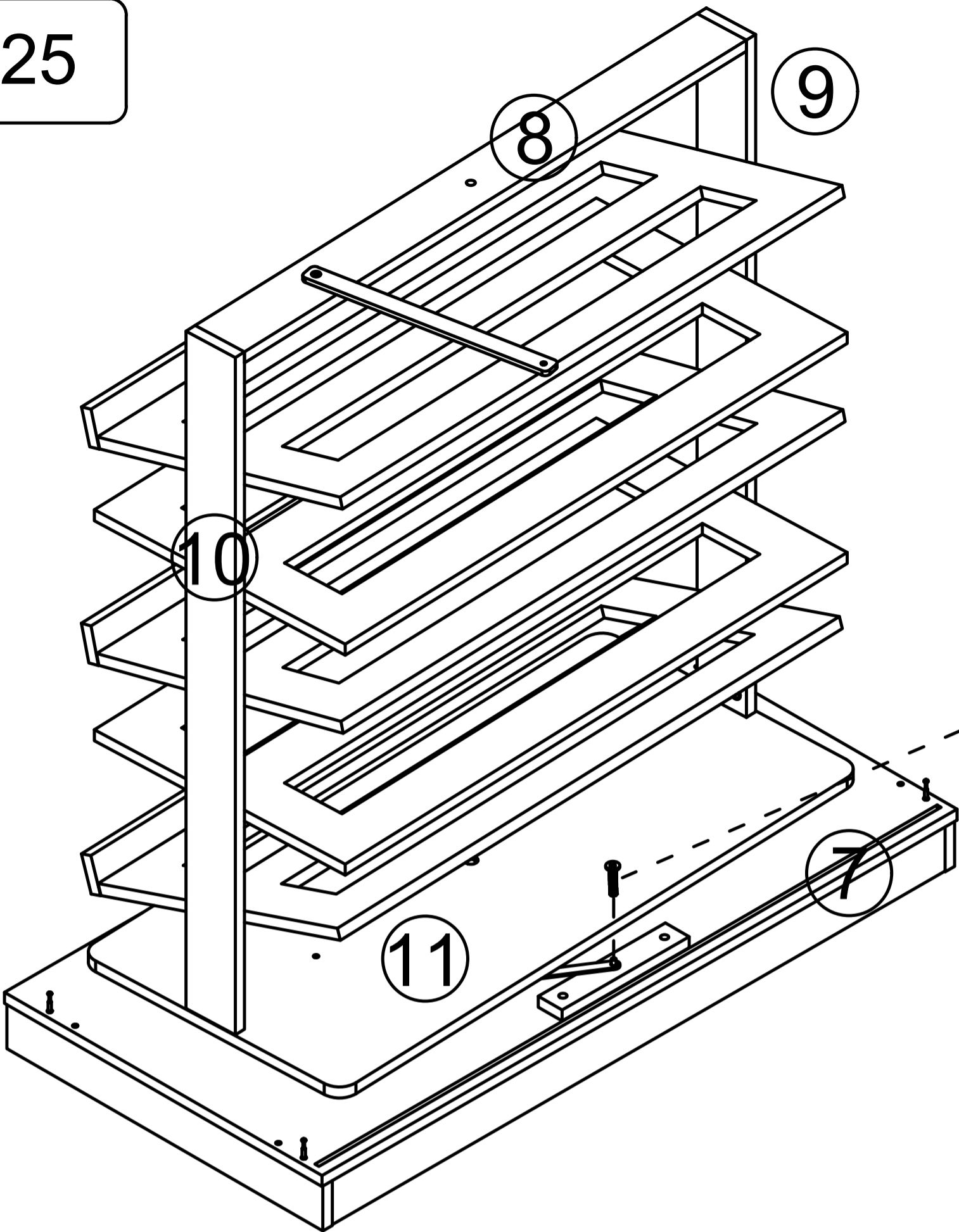
Step 24



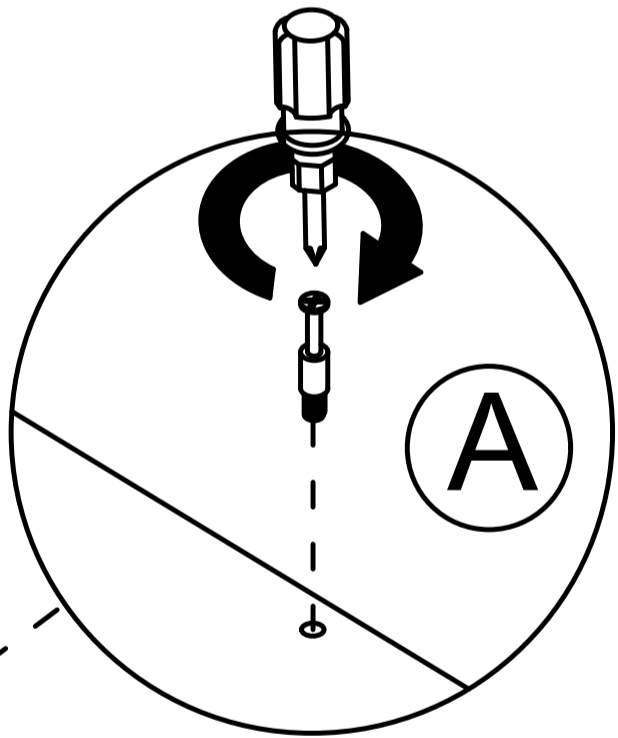
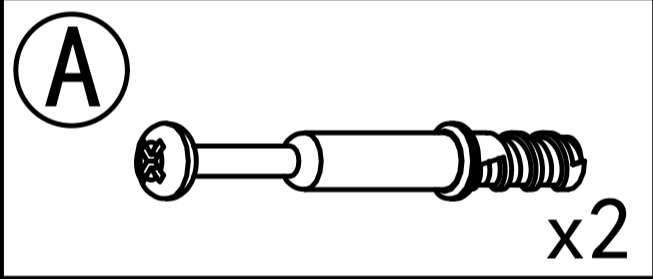
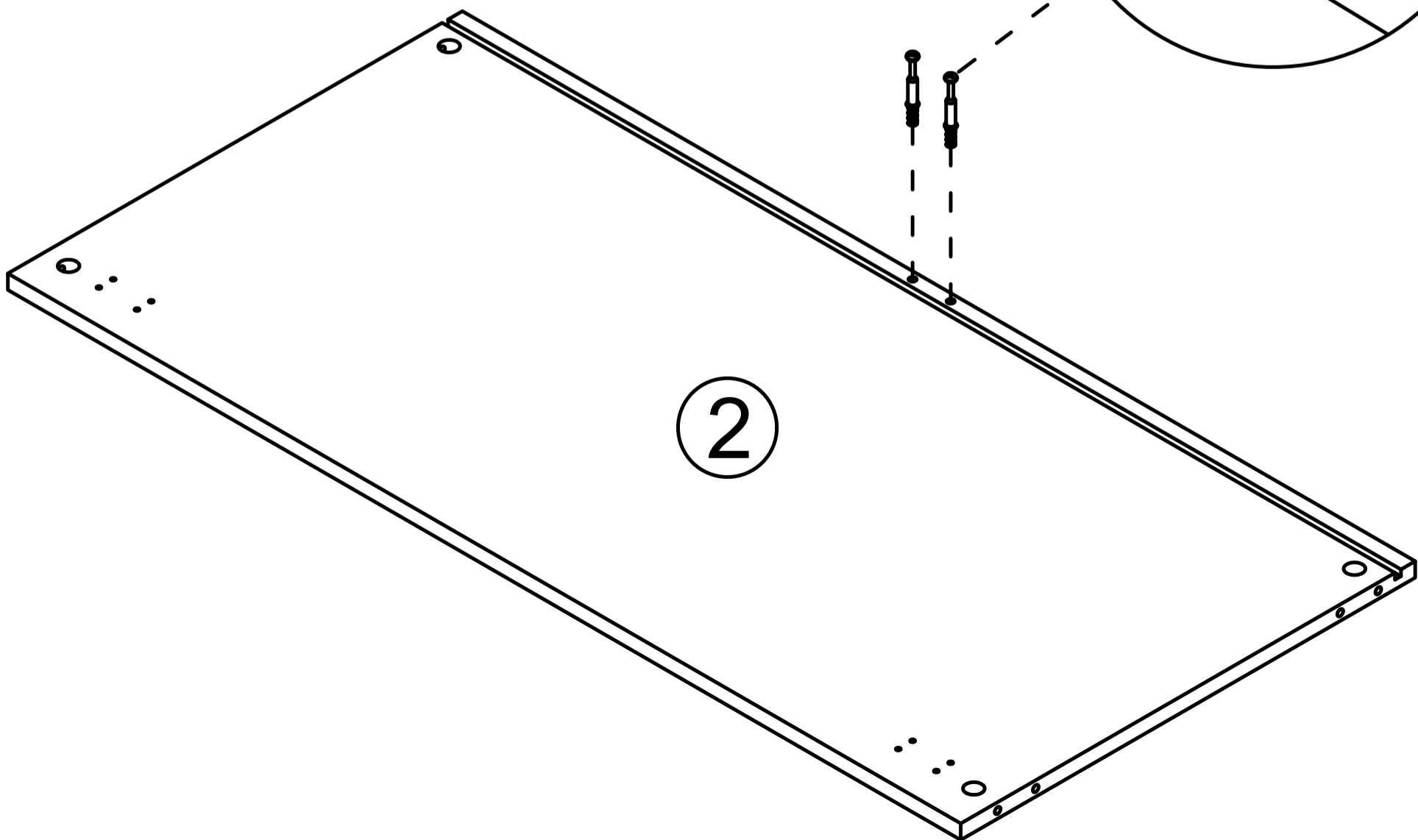
During installation, accessory F metal piece should be placed backward.

SY

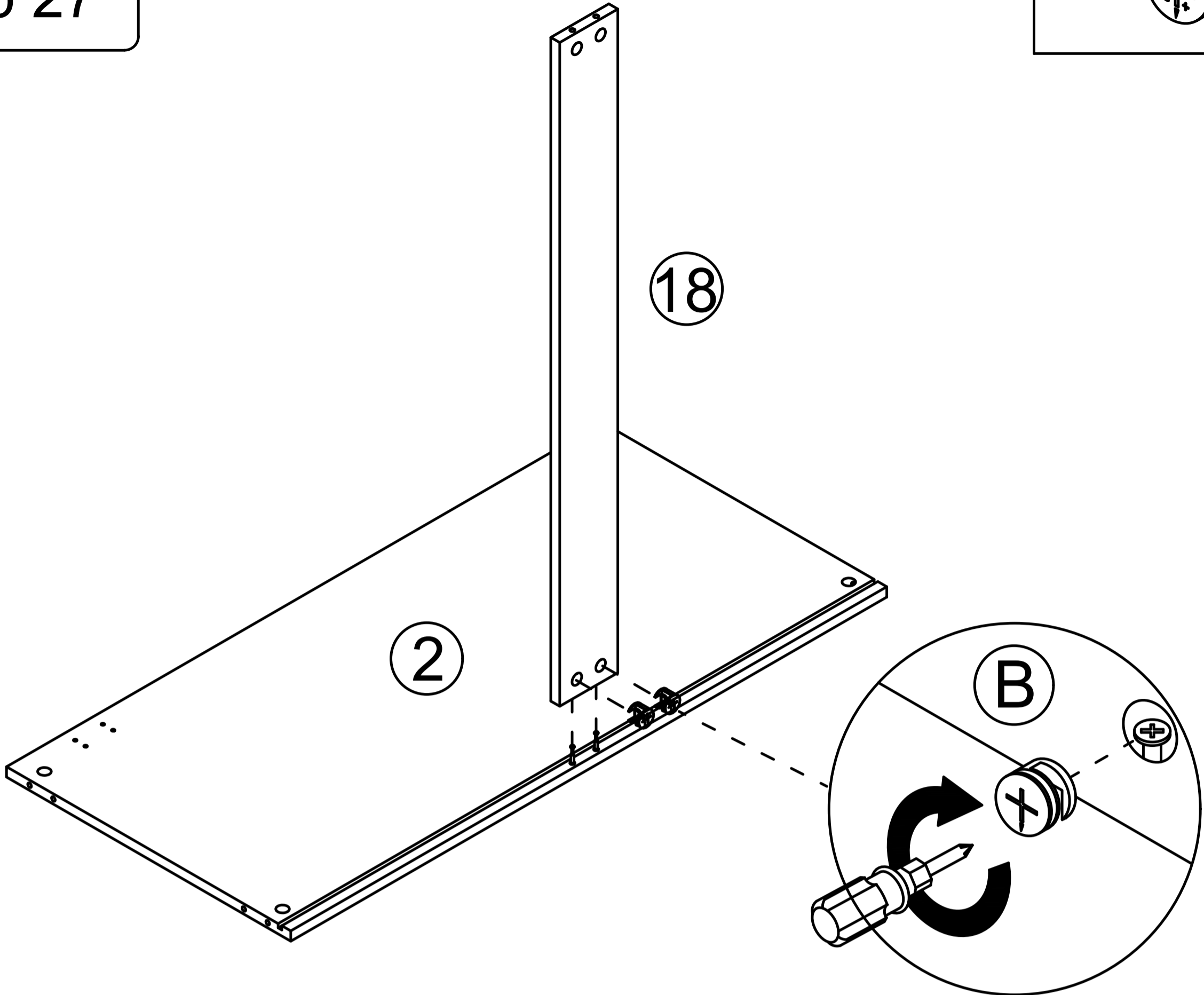
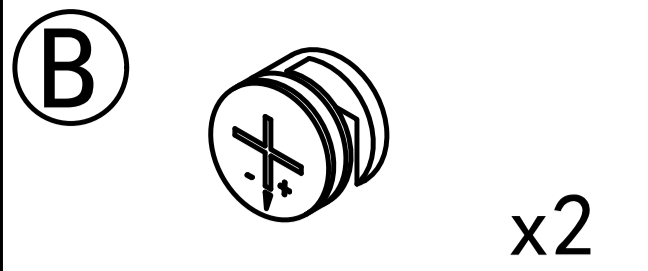
Step 25



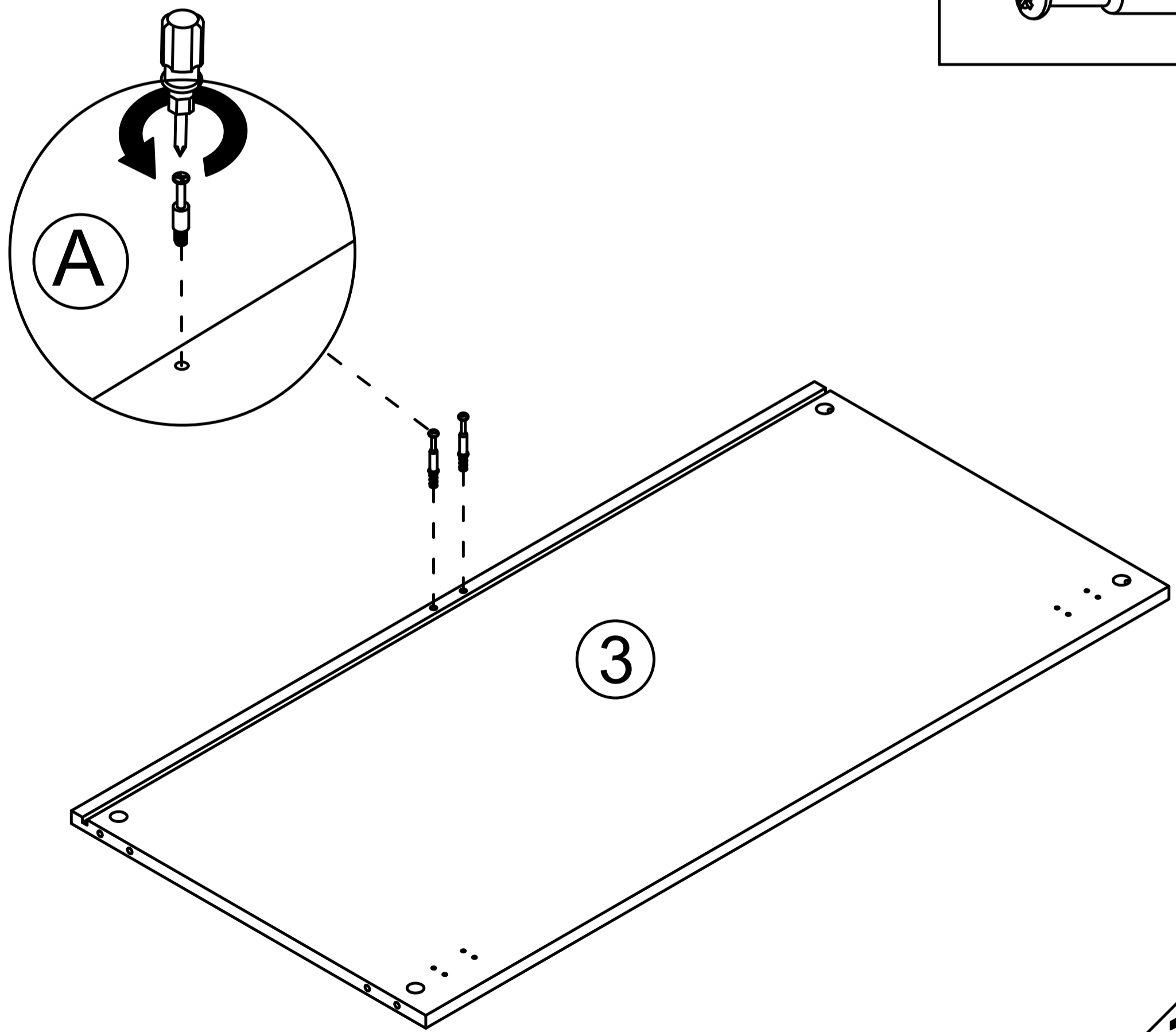
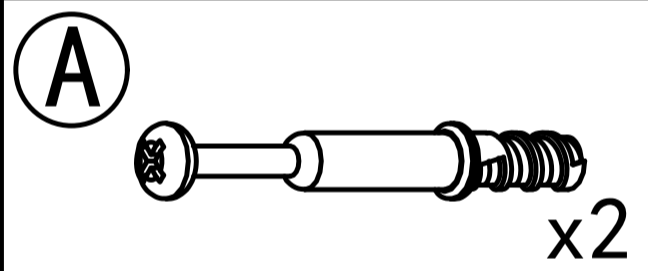
Step 26



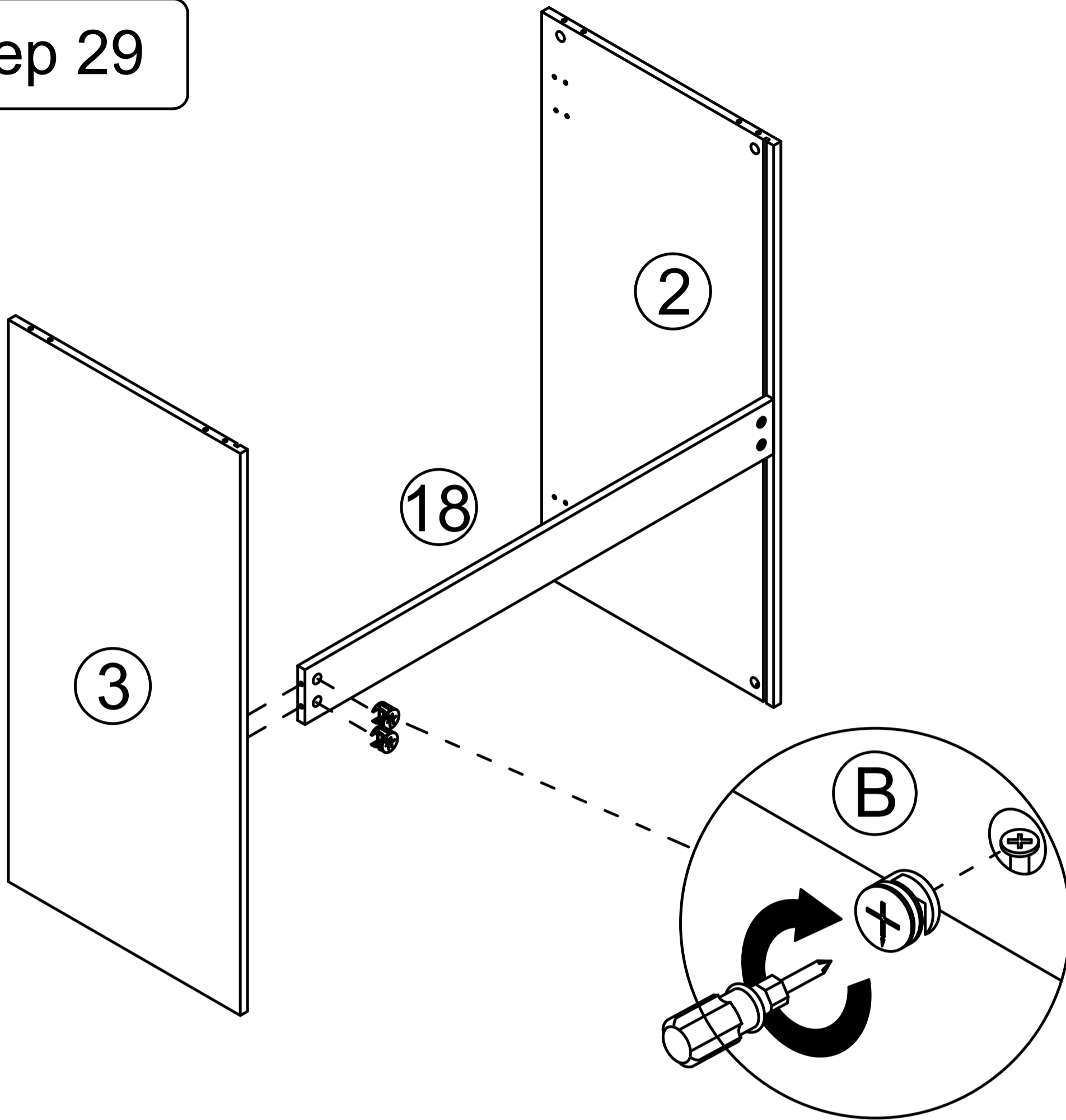
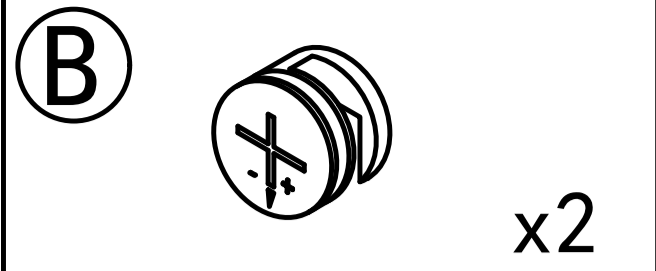
Step 27



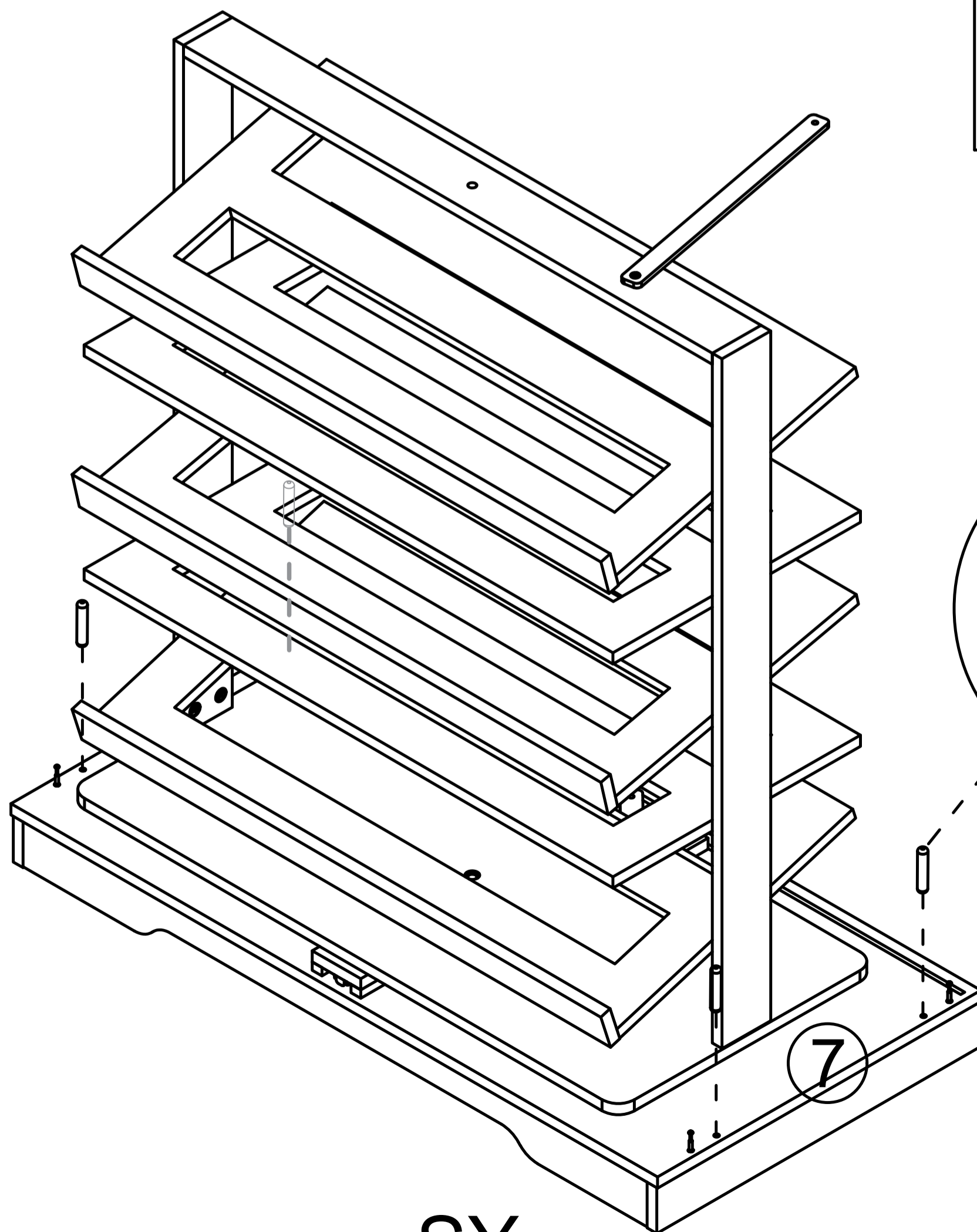
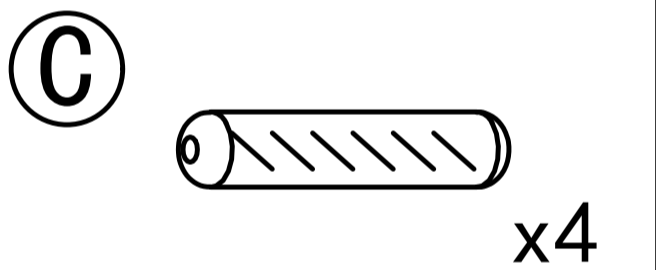
Step 28



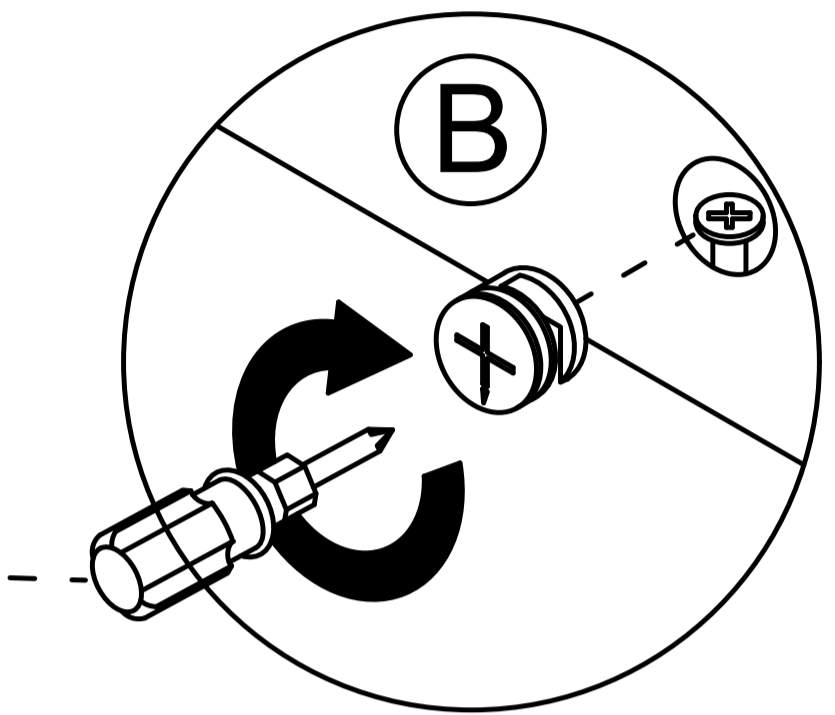
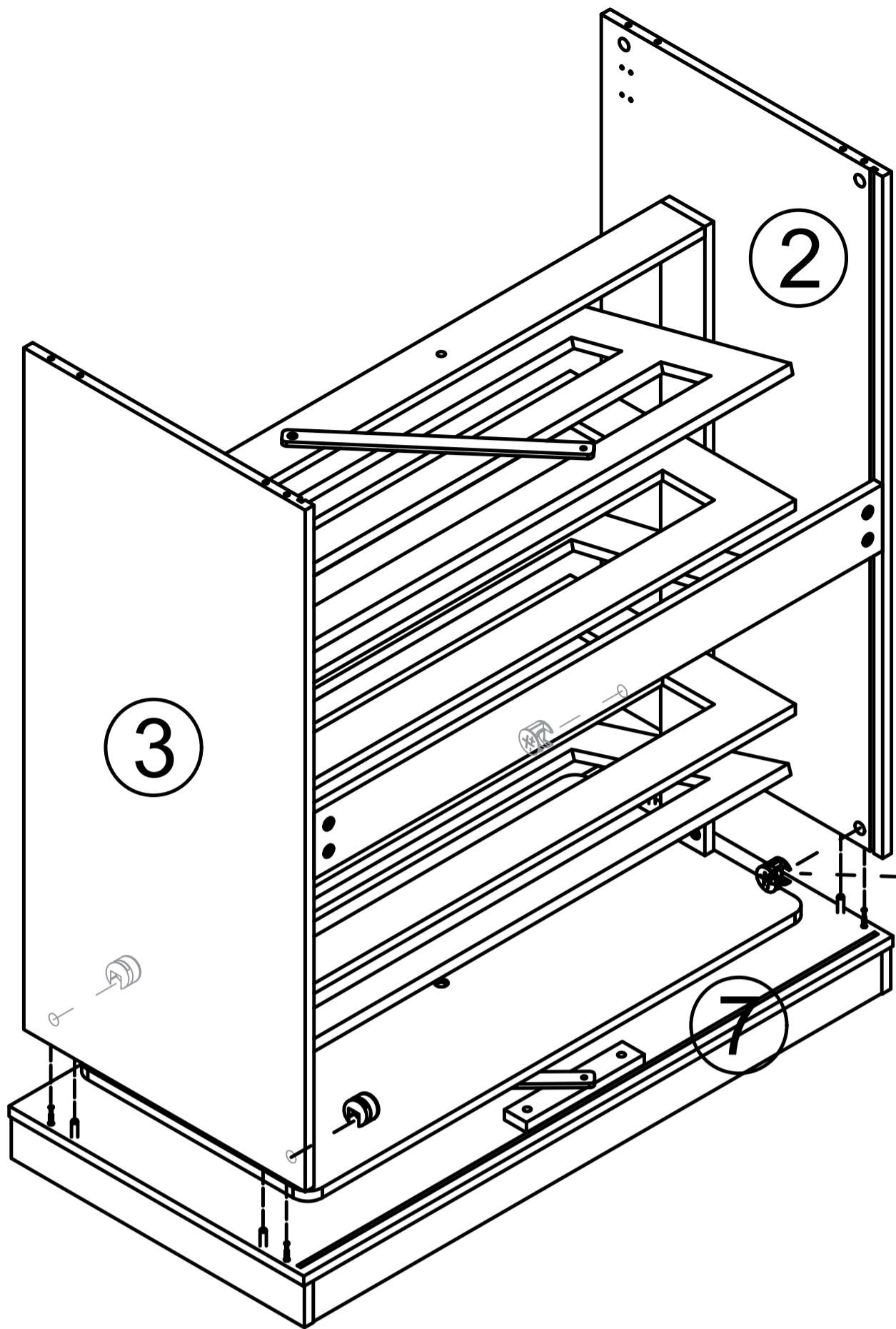
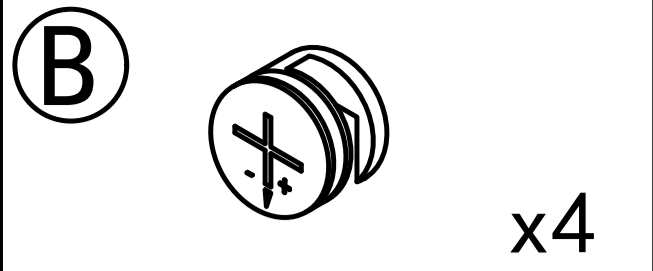
Step 29



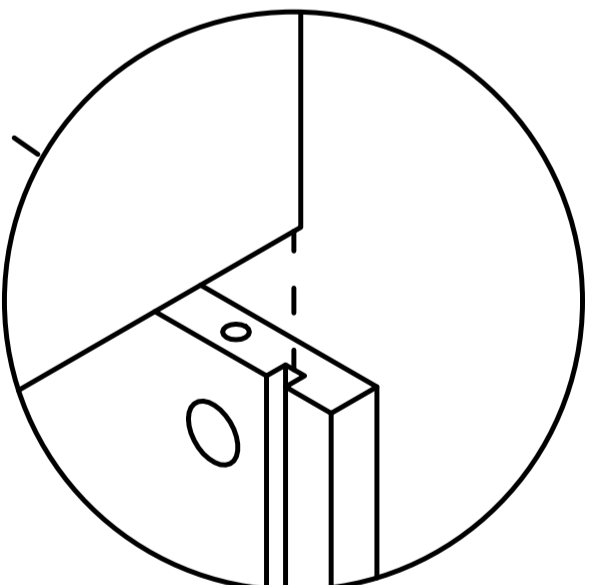
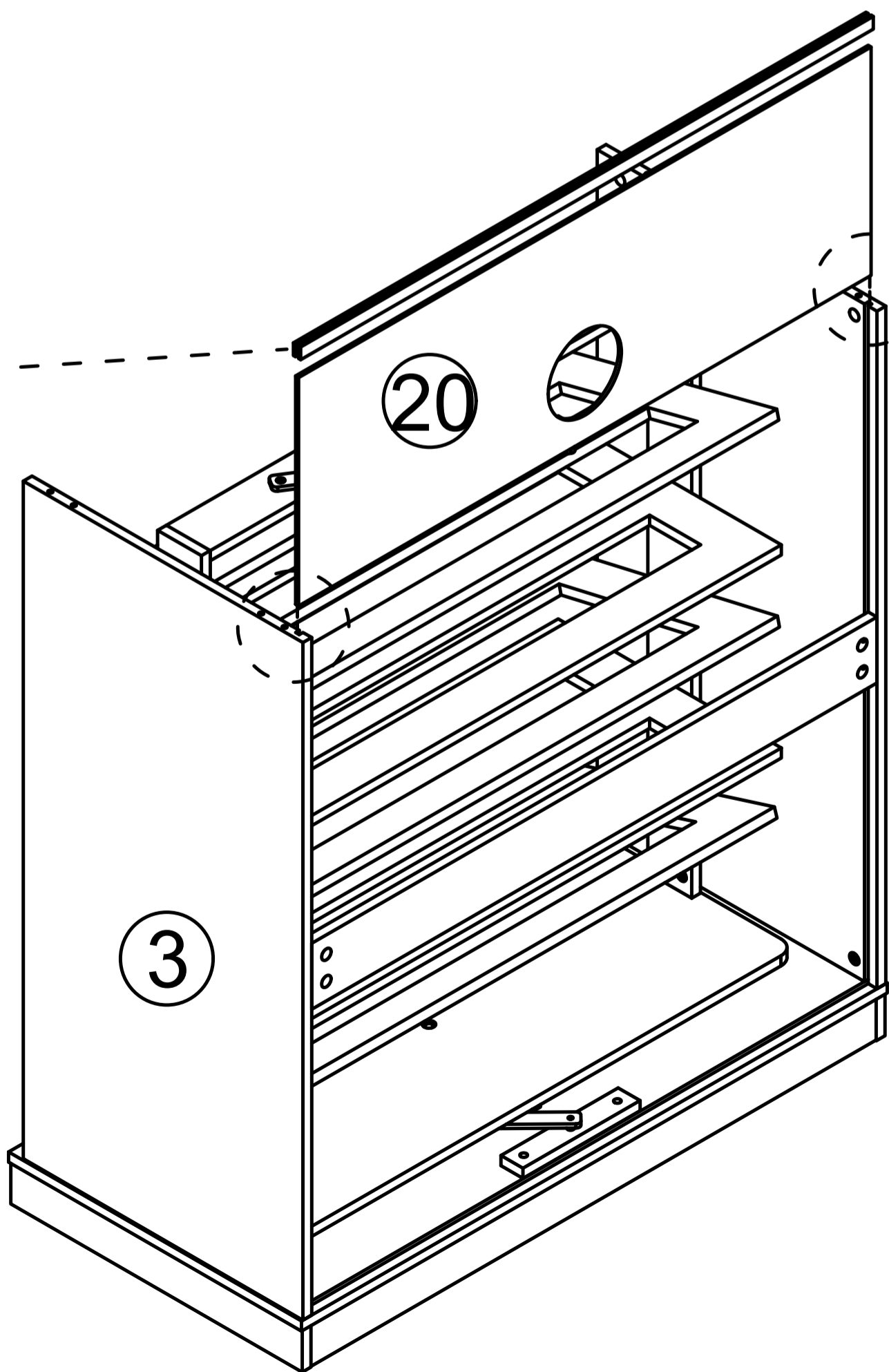
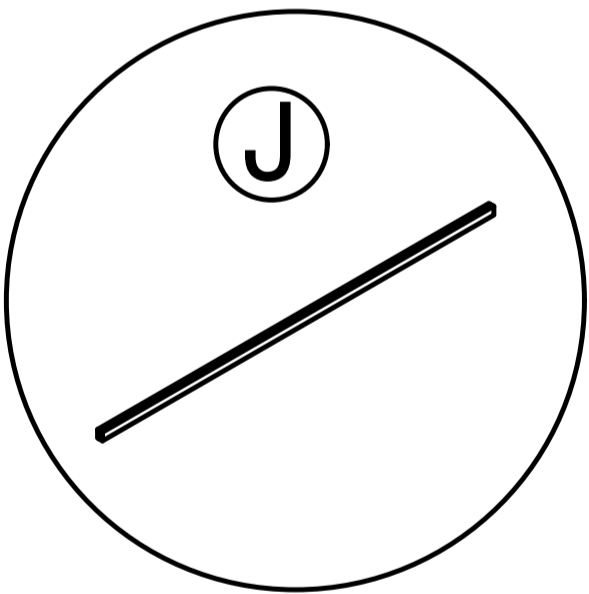
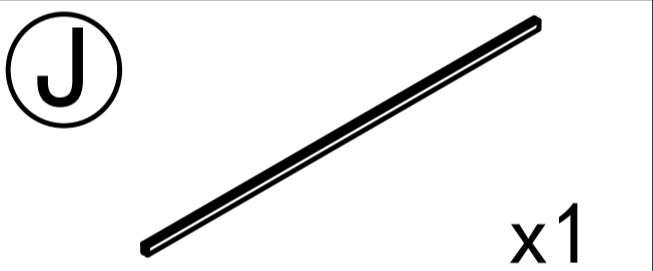
Step 30



Step 31

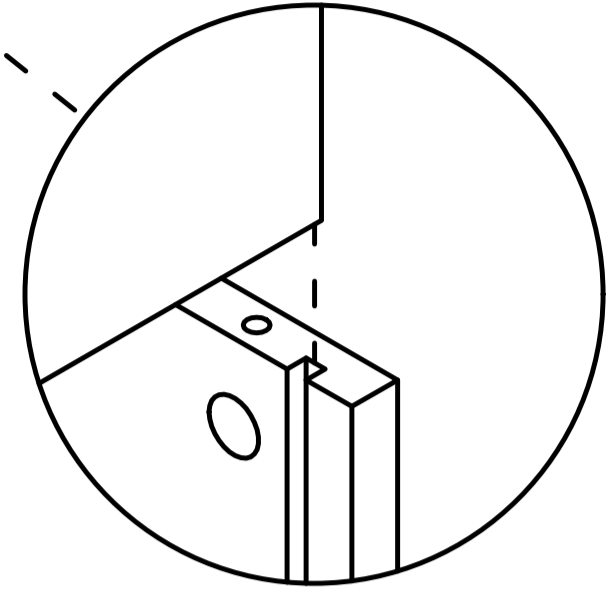
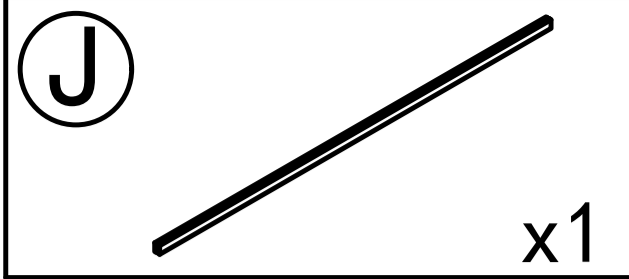
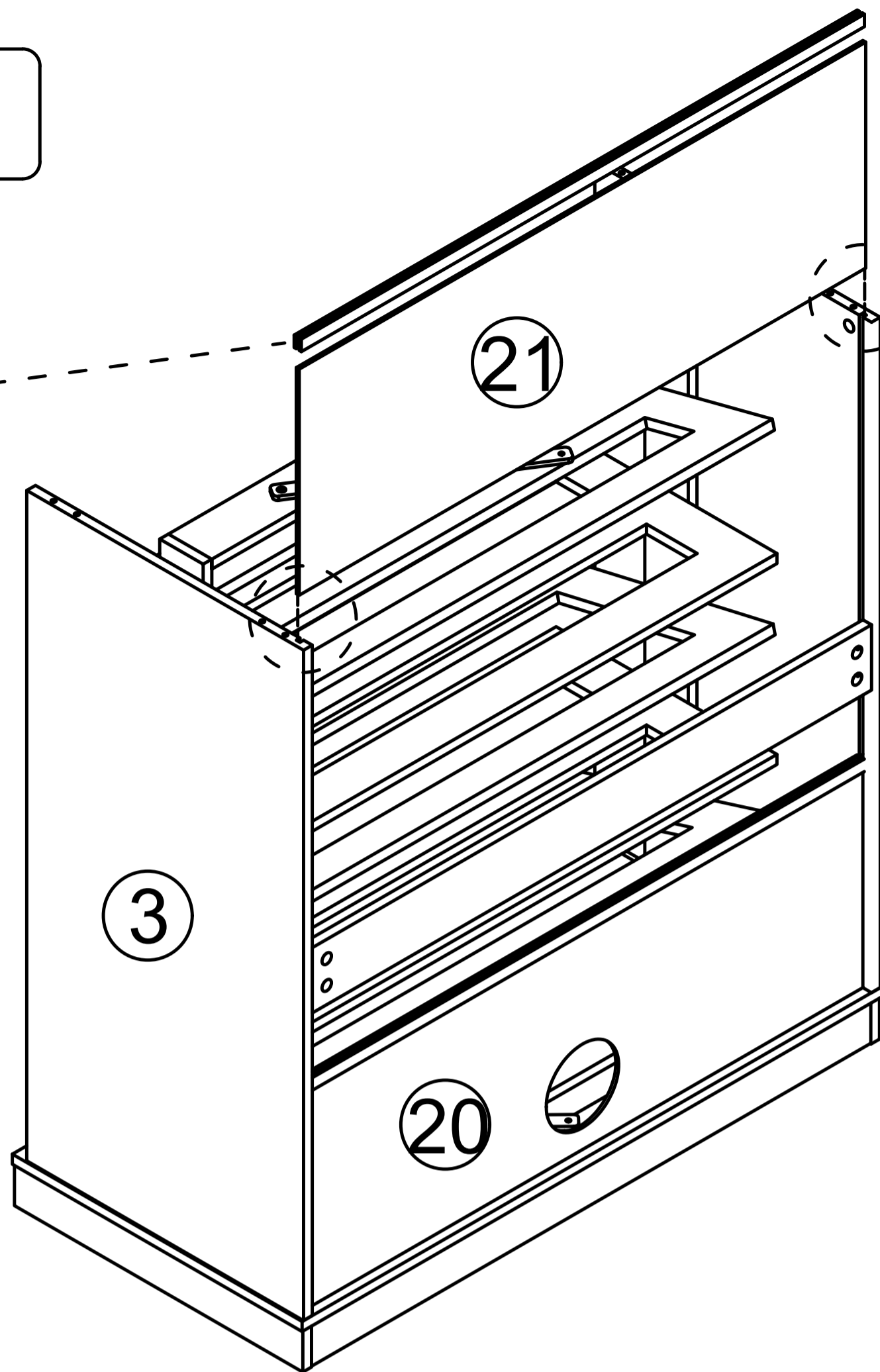
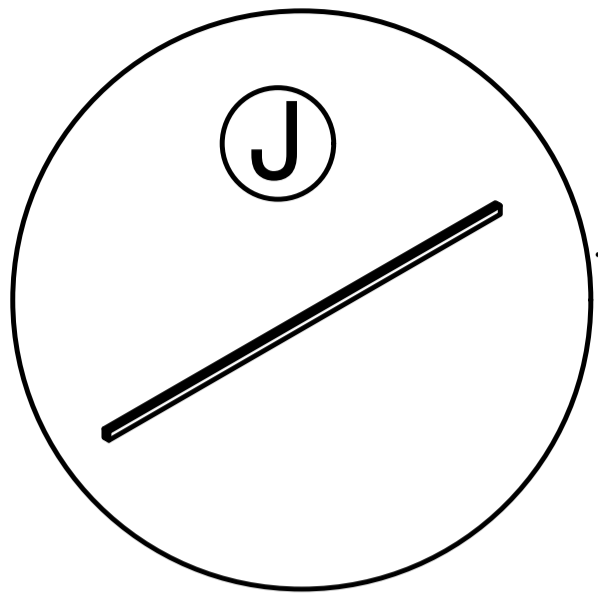


Step 32

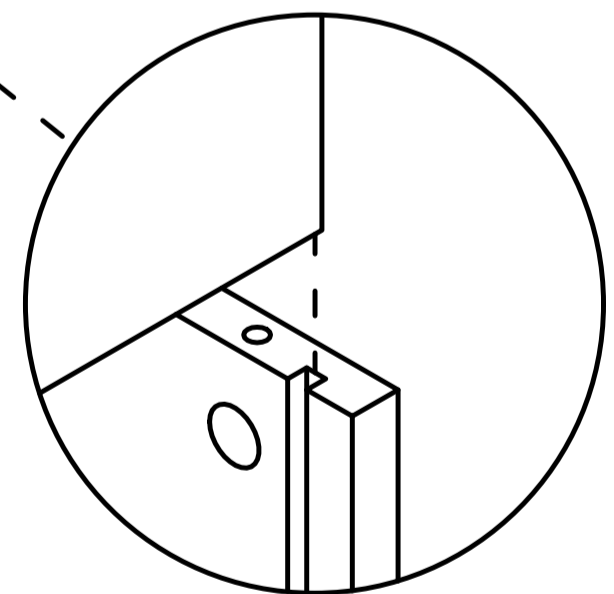
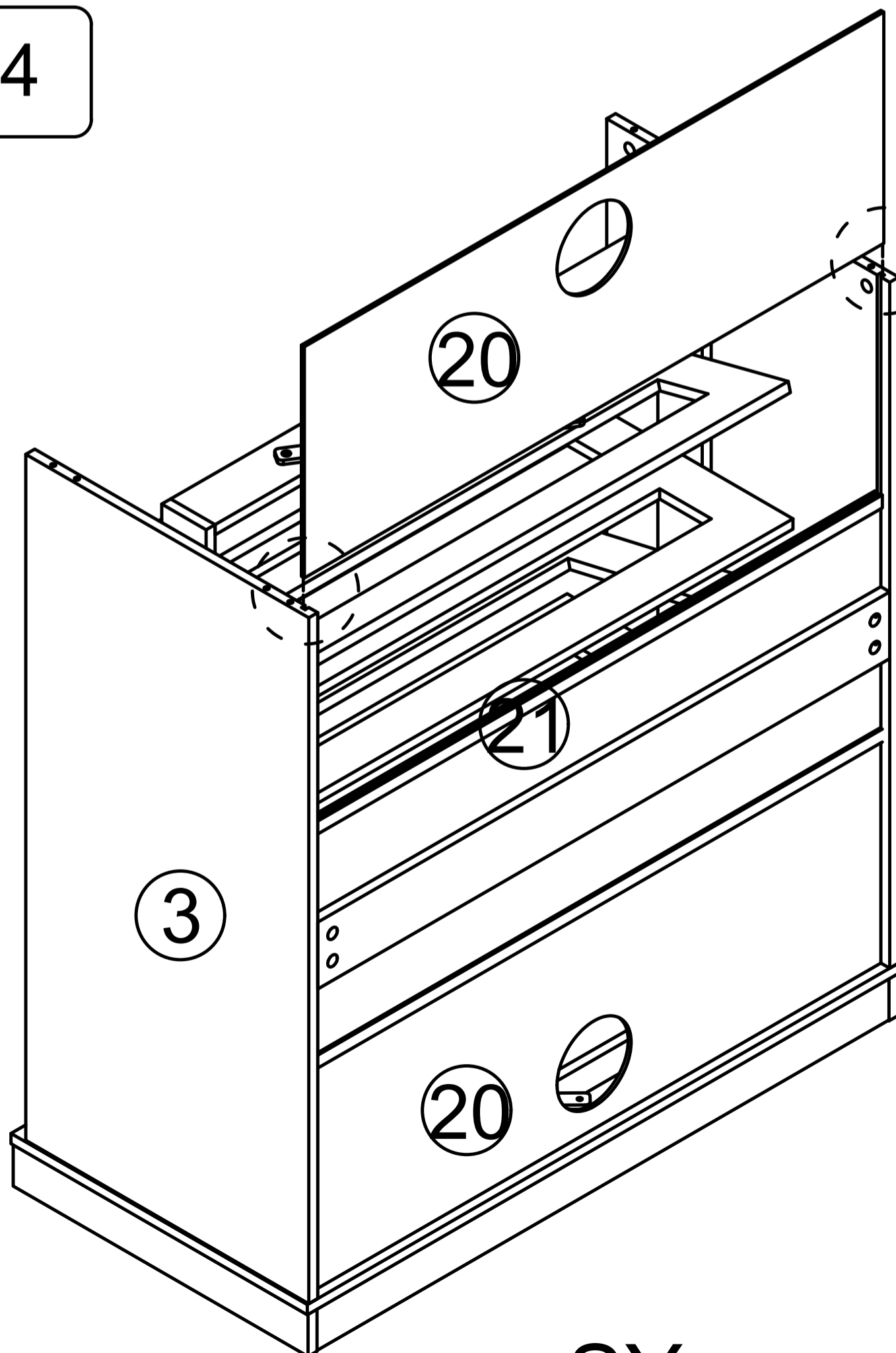


During installation, the circular hole near the edge faces downward.

Step 33

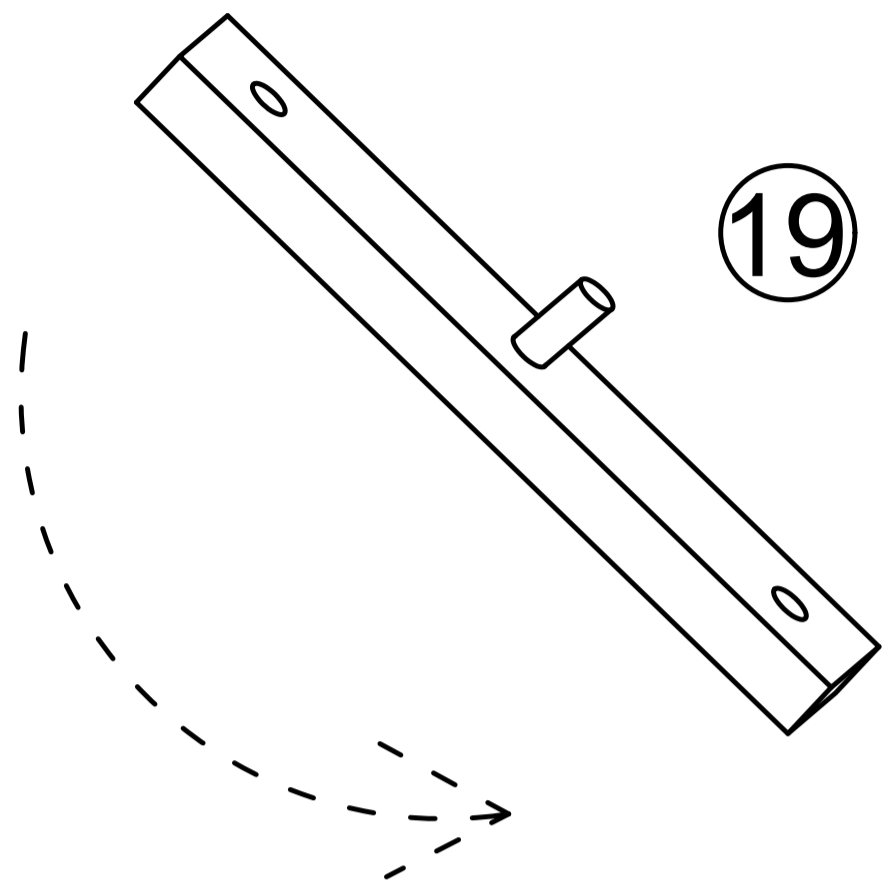
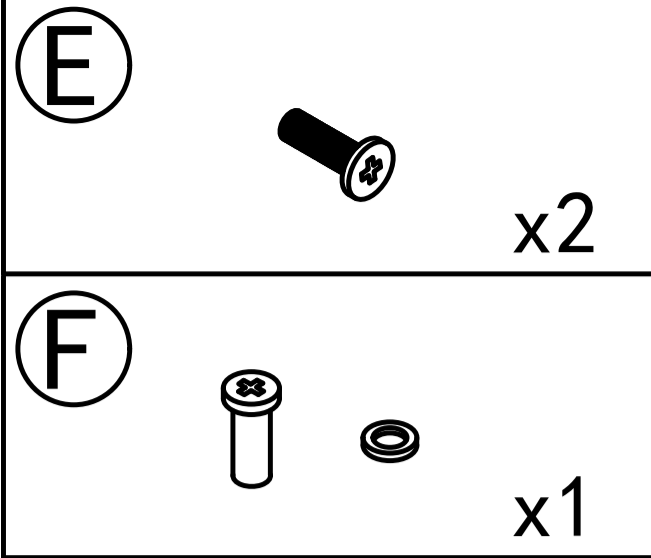


Step 34



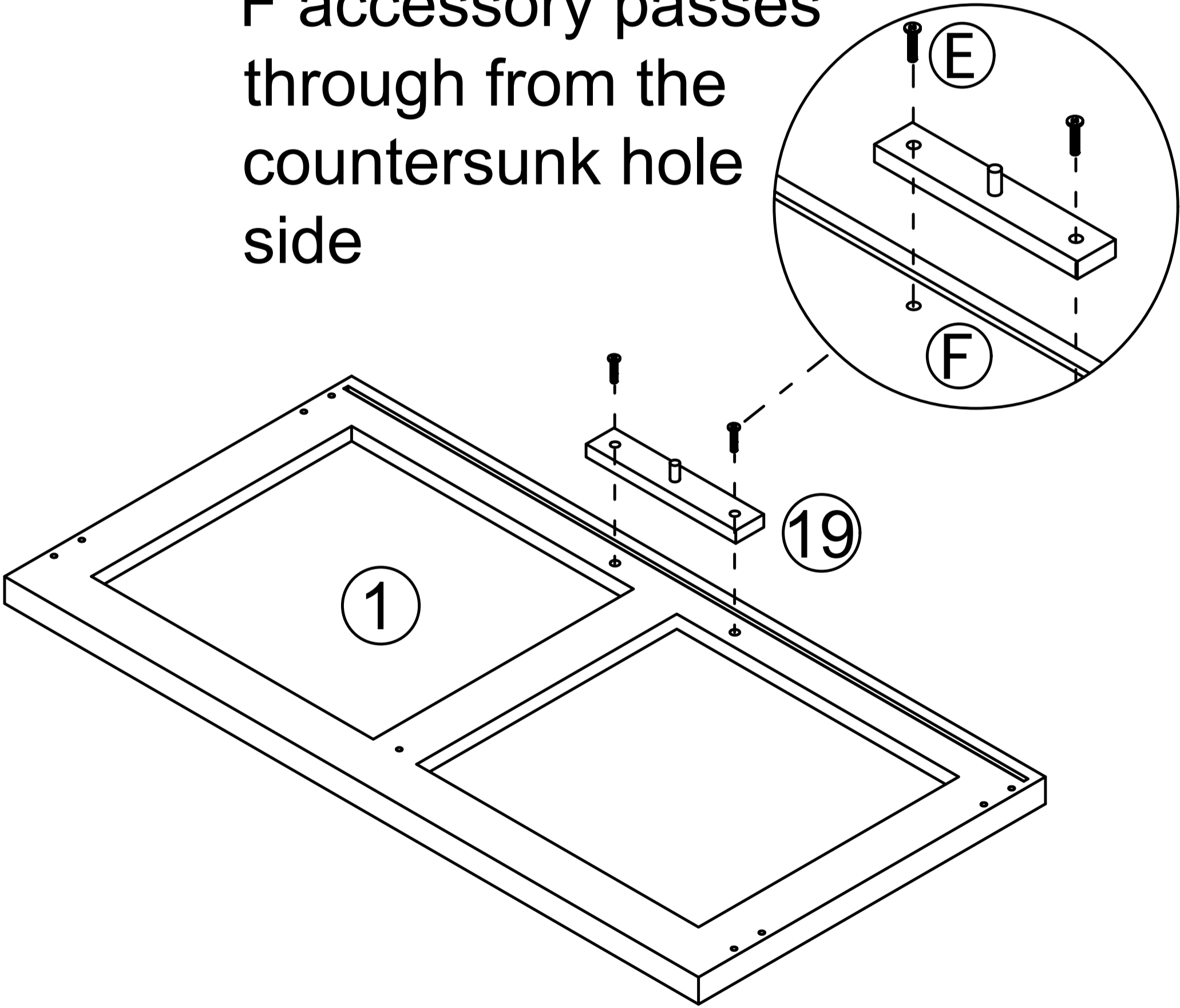
During installation, the round holes near the edges should face upwards.

Step 35



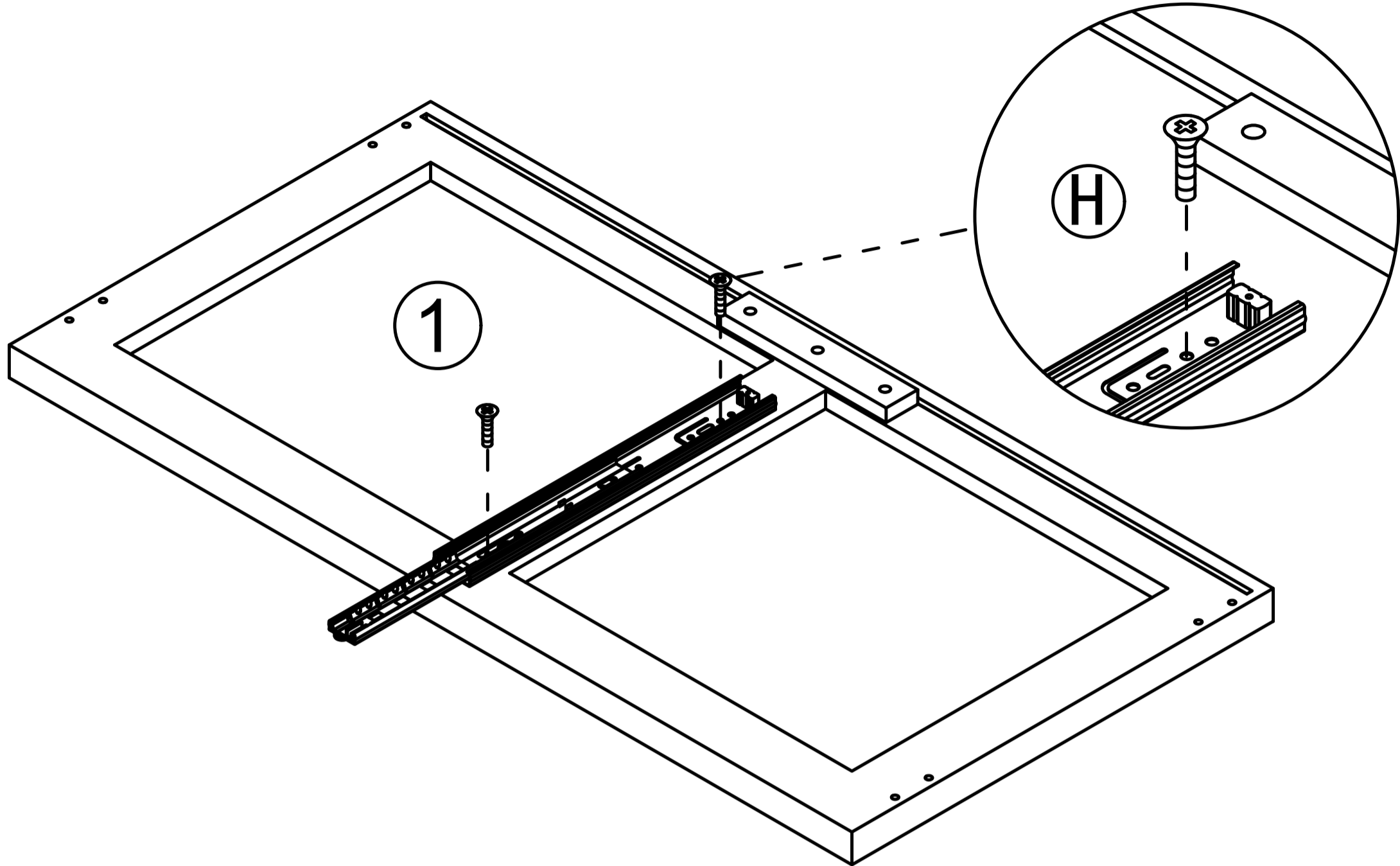
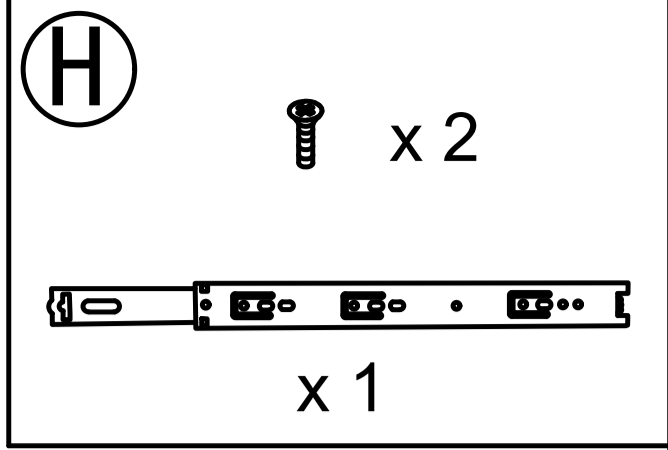
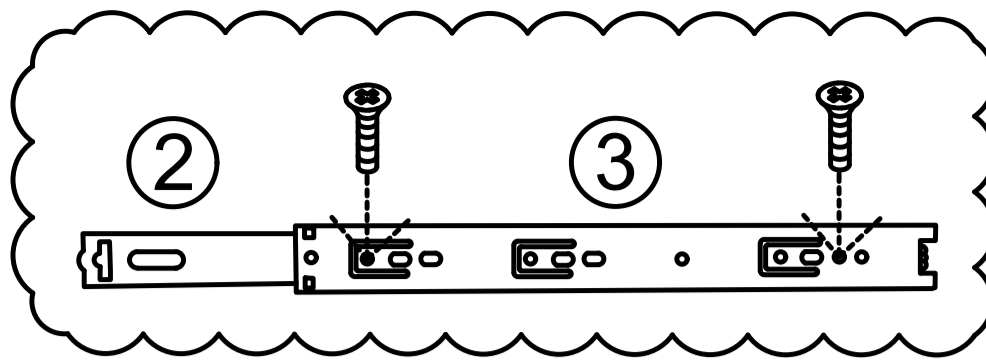
Flip board No. 19 over before installation.

F accessory passes through from the countersunk hole side

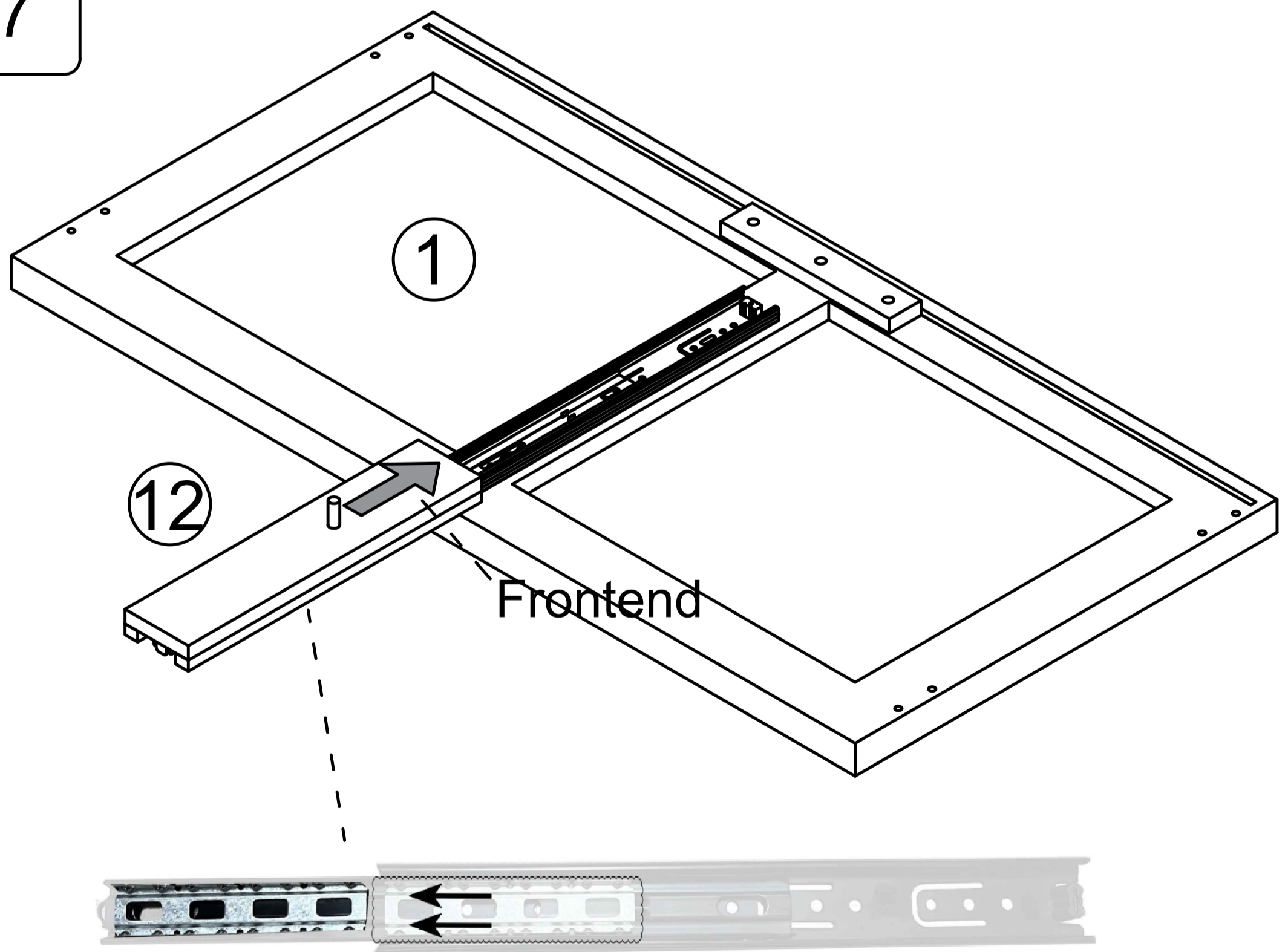


First pass the F accessory connecting rod through in the opposite direction, then tighten the E screw.

Step 36

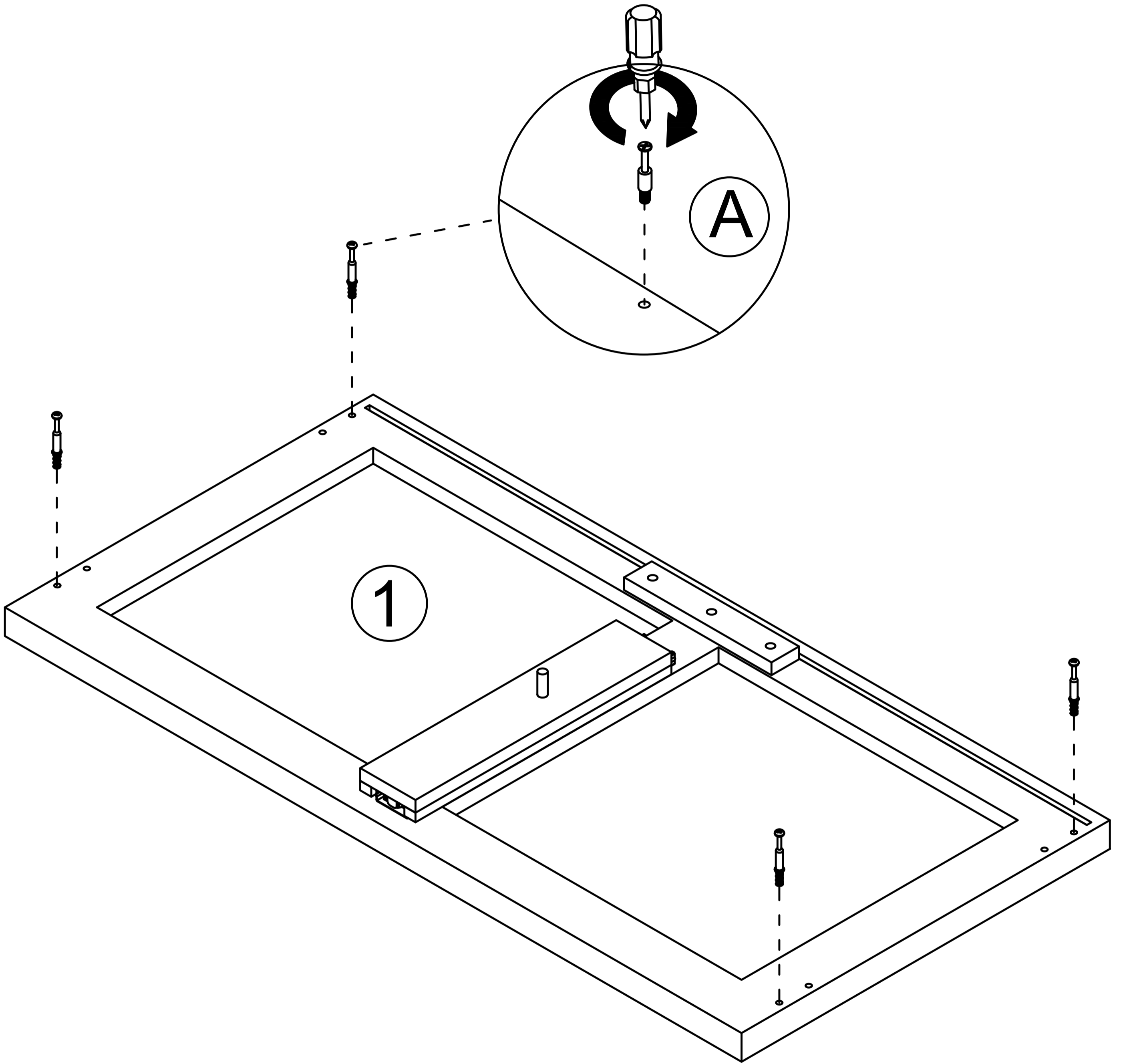
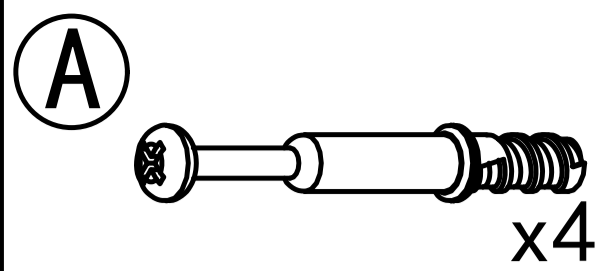


Step 37

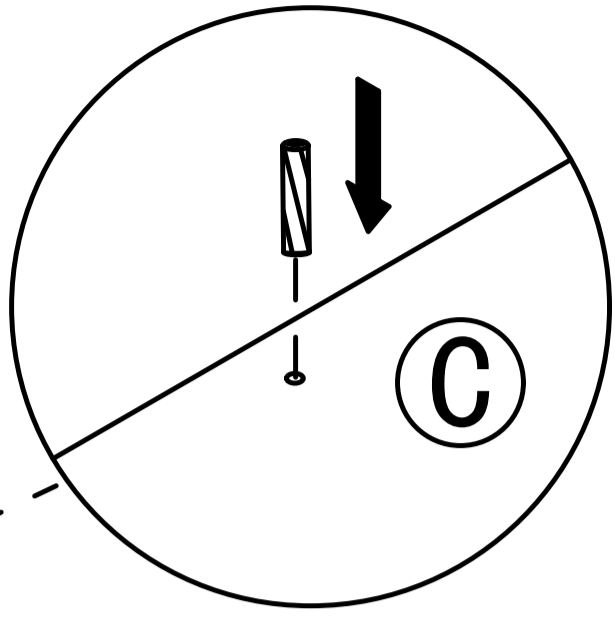
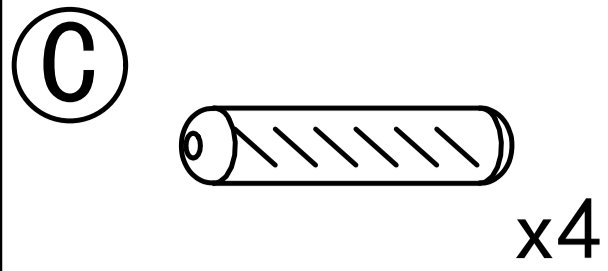


As shown, When installing the drawer, pull the guide rail out first, Slide beads are also pulled out.

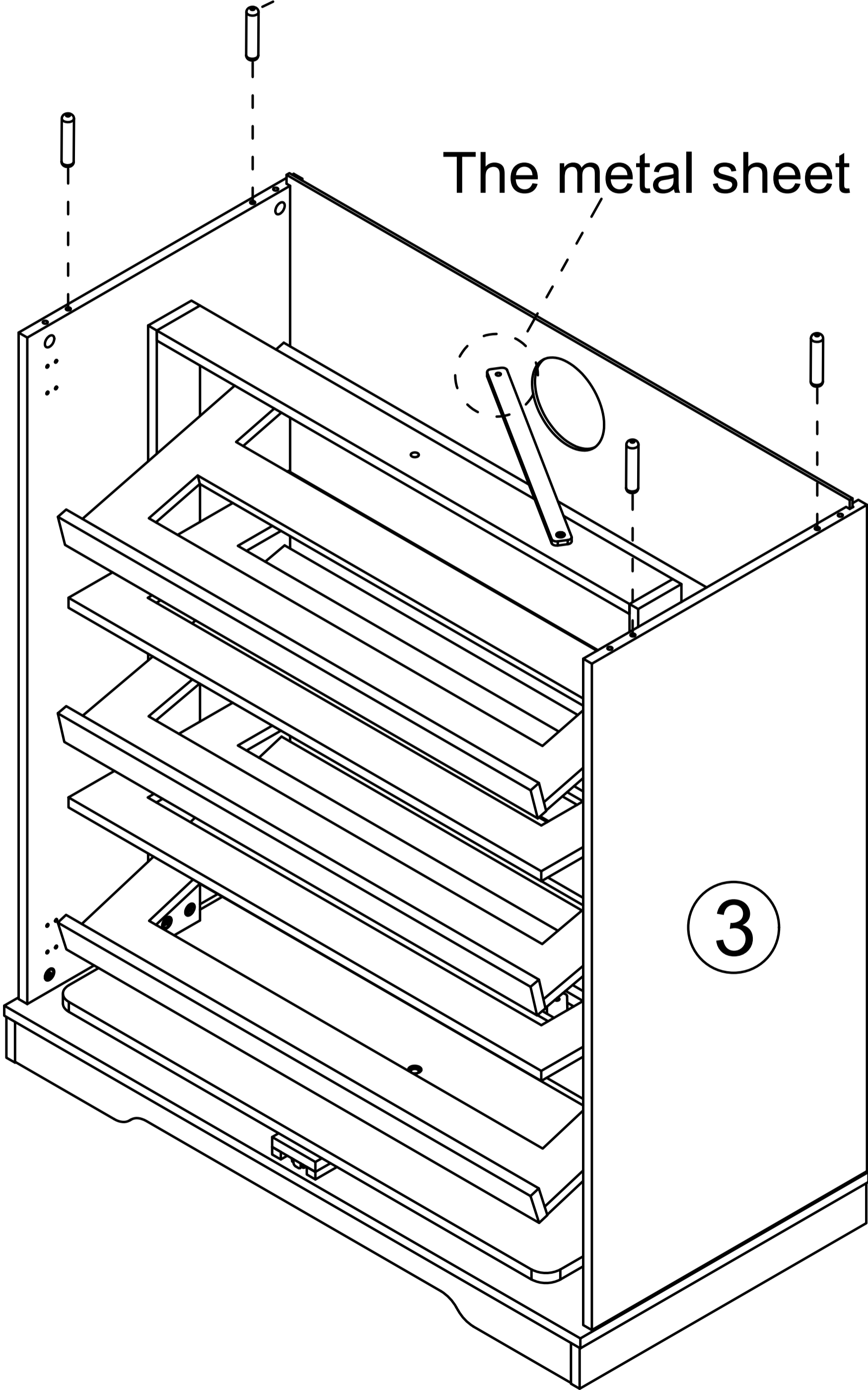
Step 38



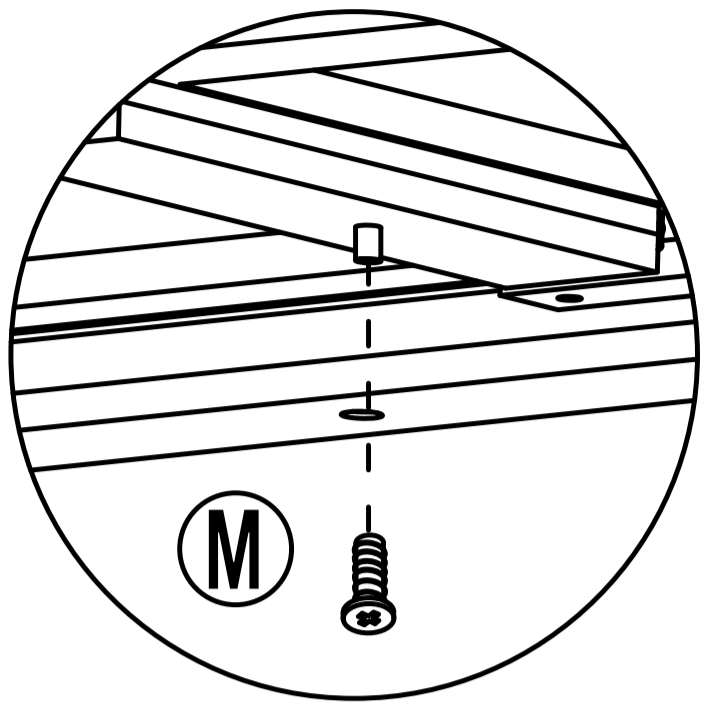
Step 39



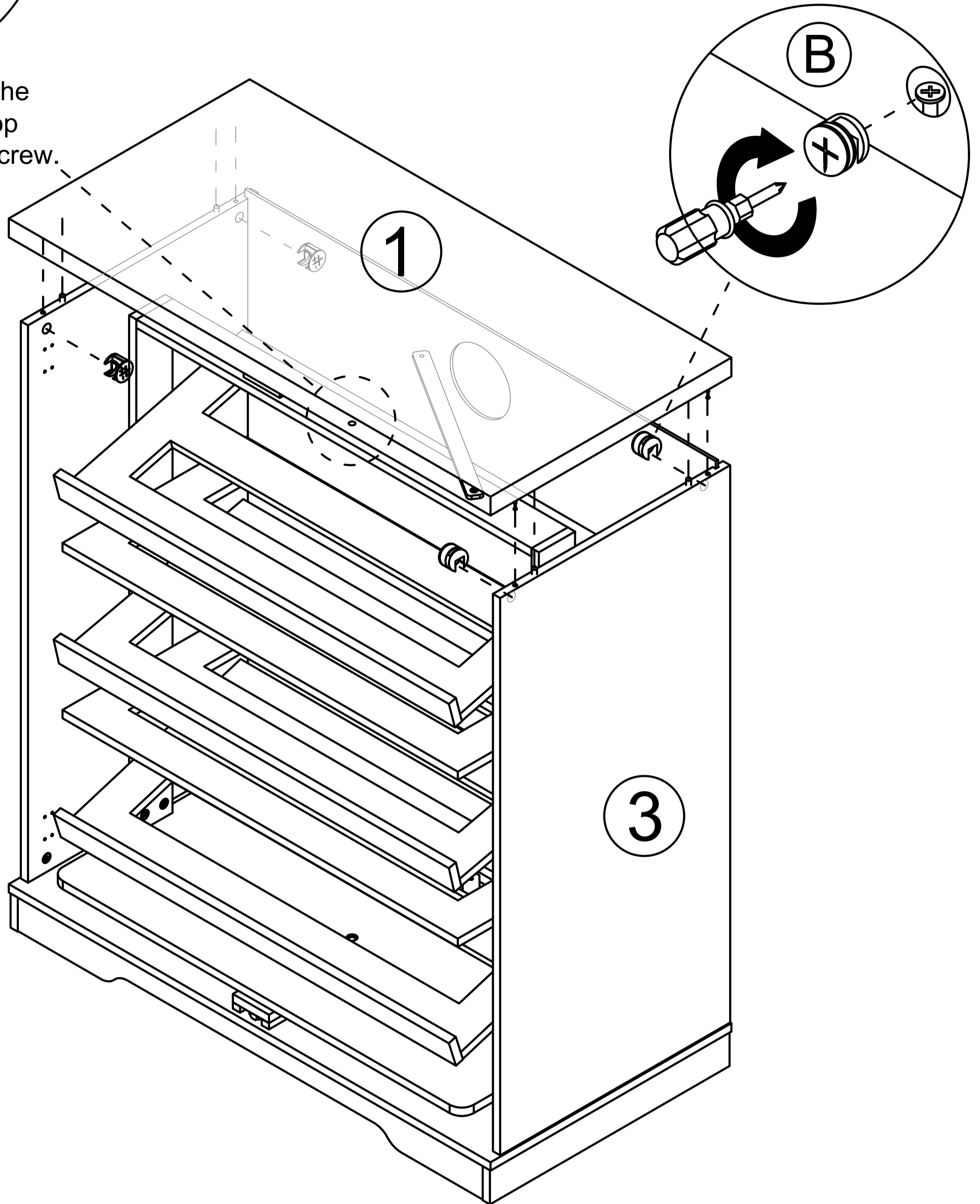
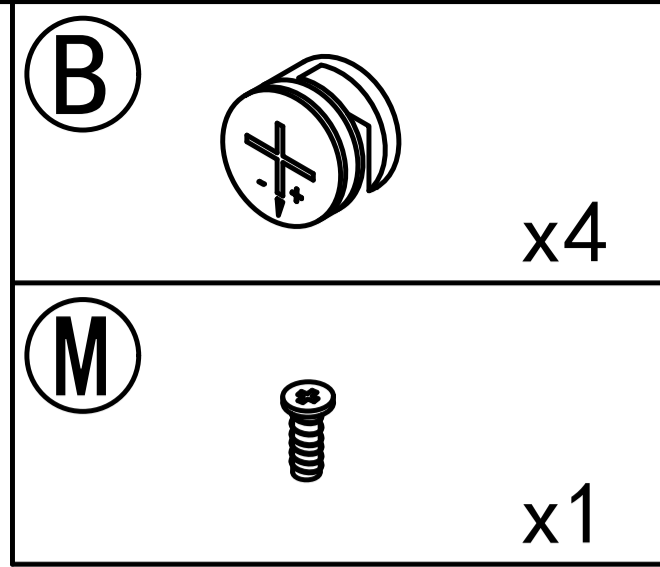
The metal sheet is on the right.



Step 40




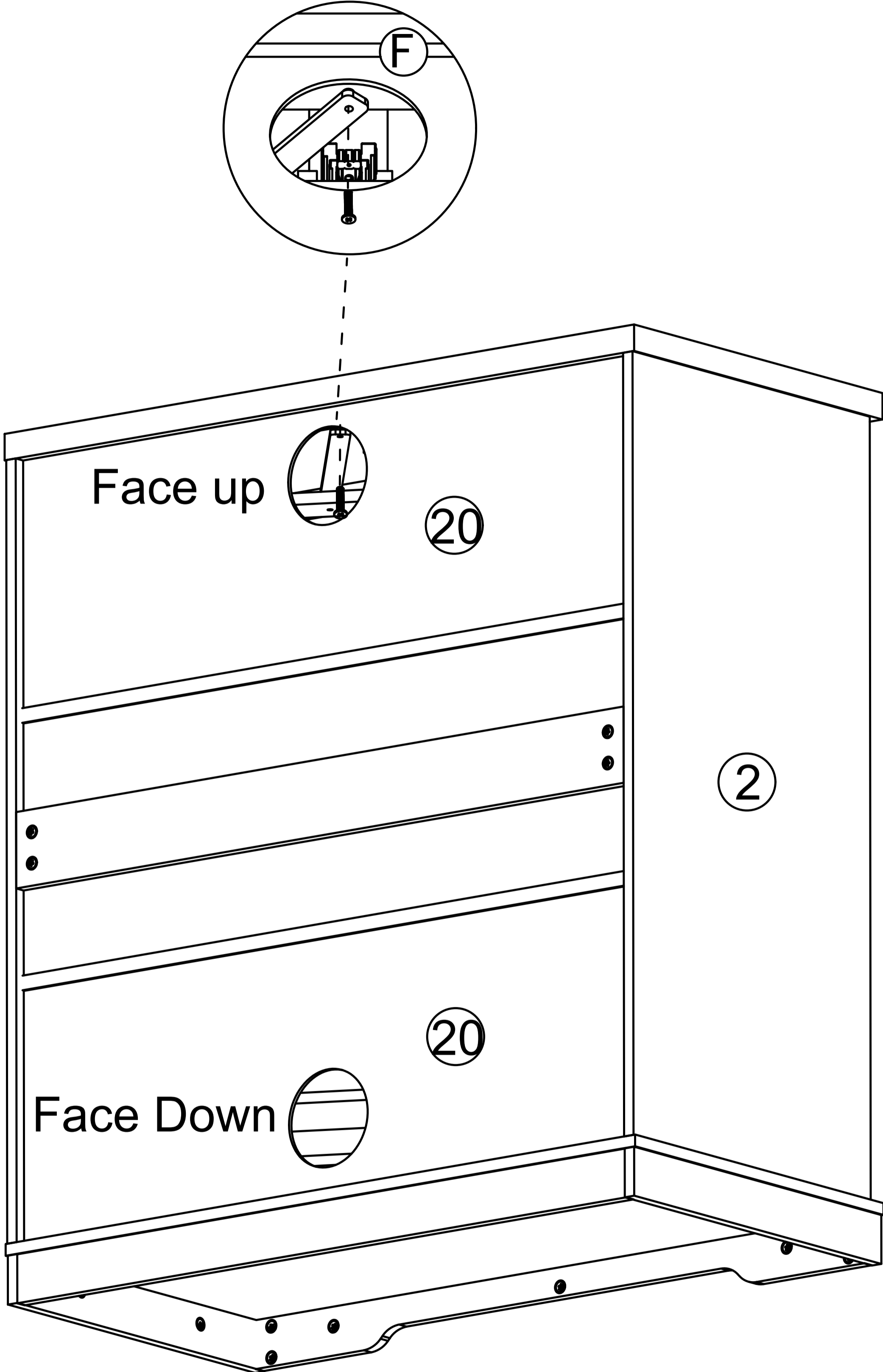
Align the hole with the center hole of the top plate and lock the screw.



When performing this installation step, pull the metal plate to the back and align it with the M accessory hole.

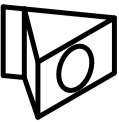

Step 41

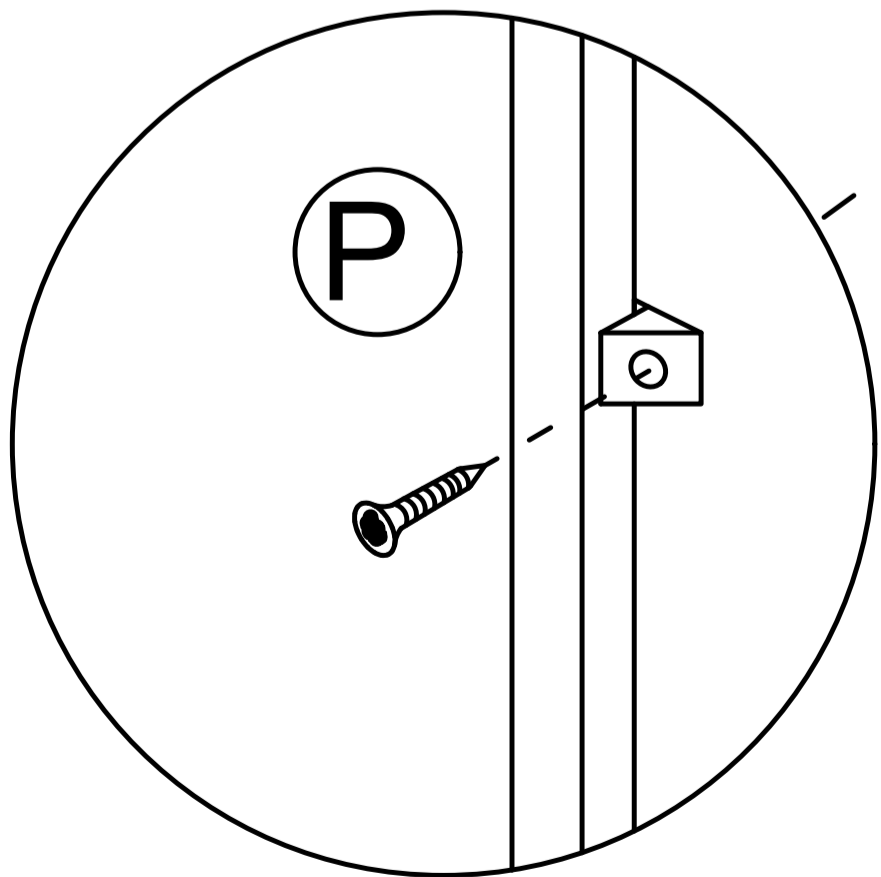
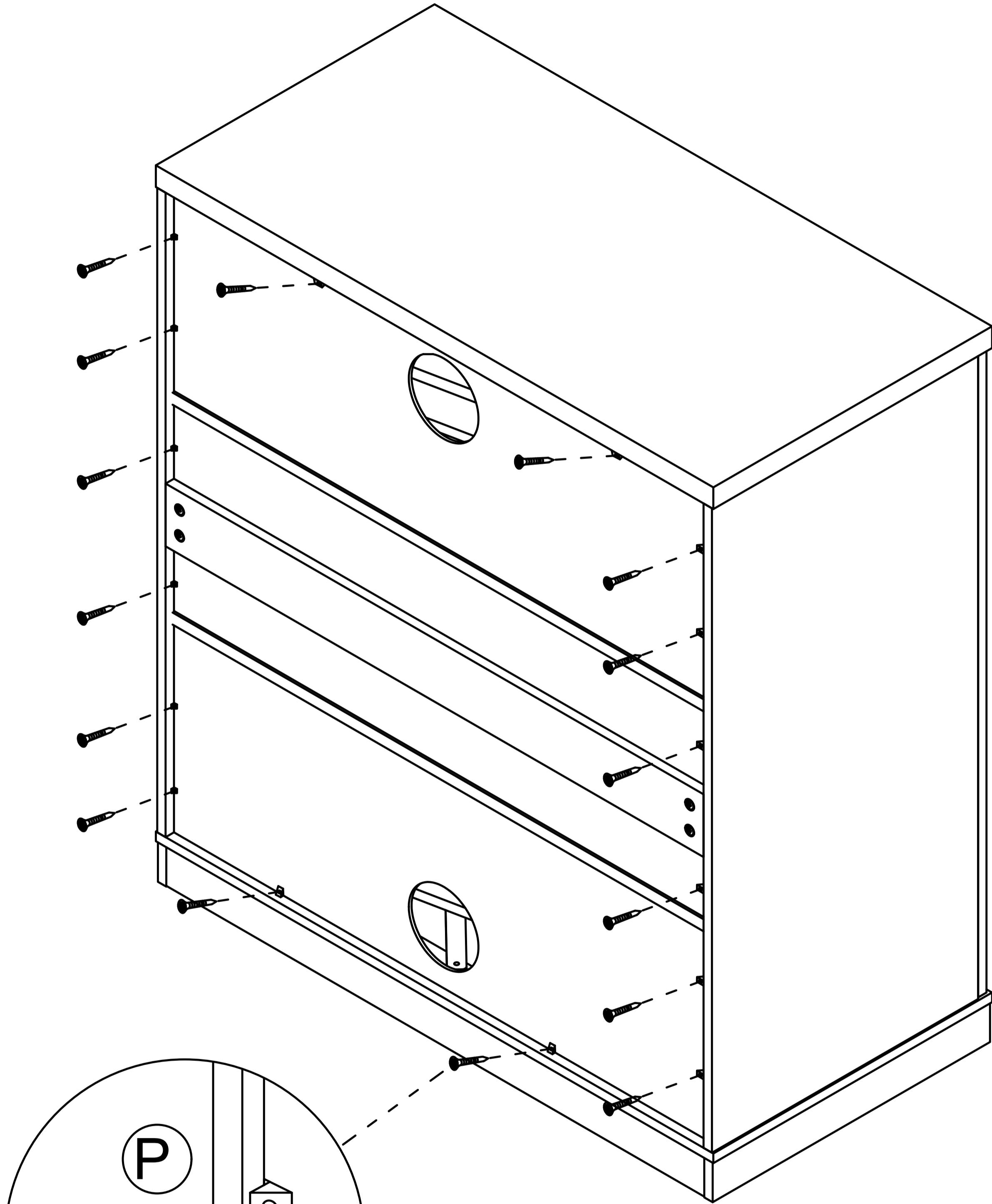
ⓕ  x1





"The circular aperture on the edge must be oriented downward or upward during installation."

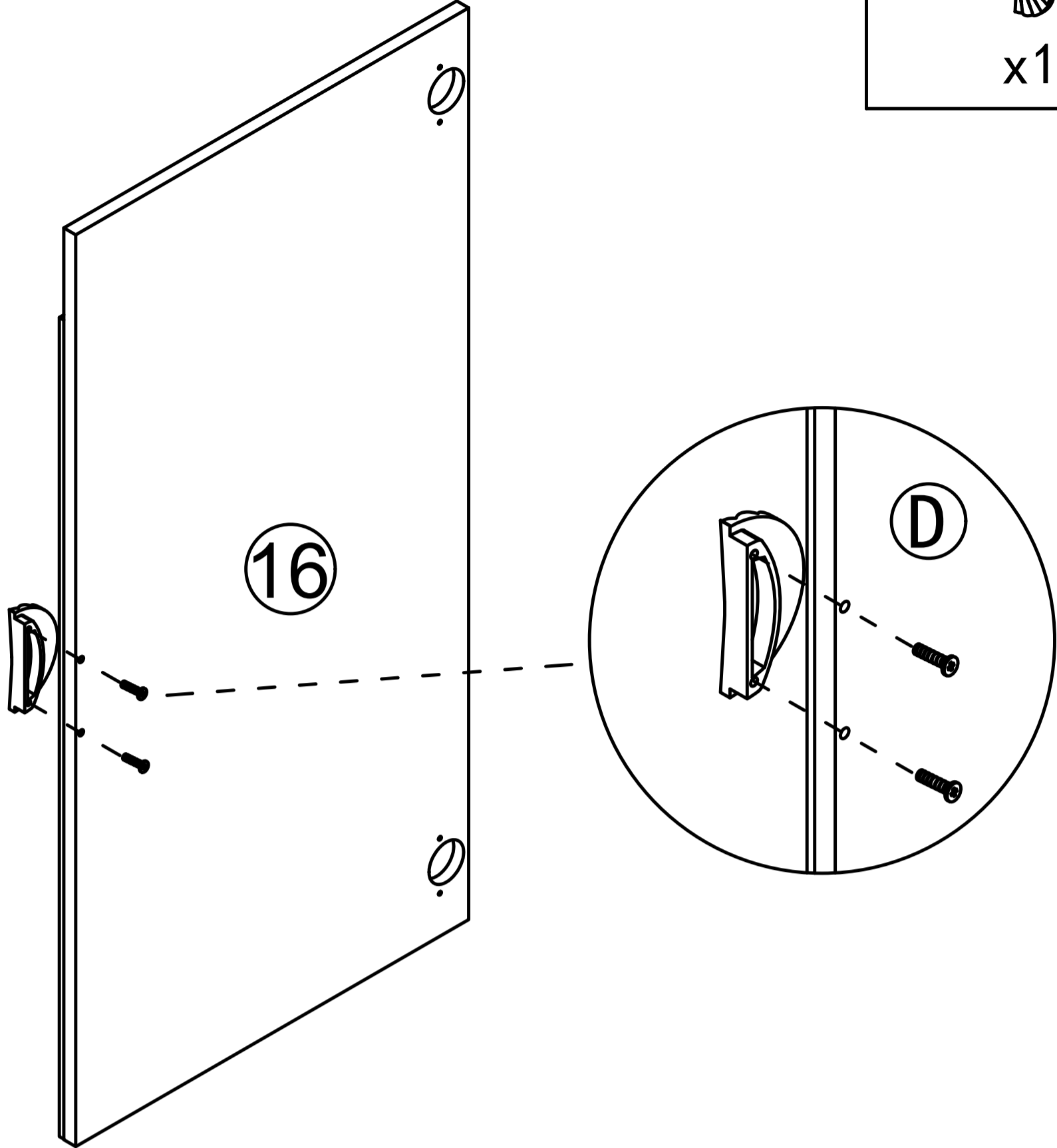
Step 42

Ⓟ   x16





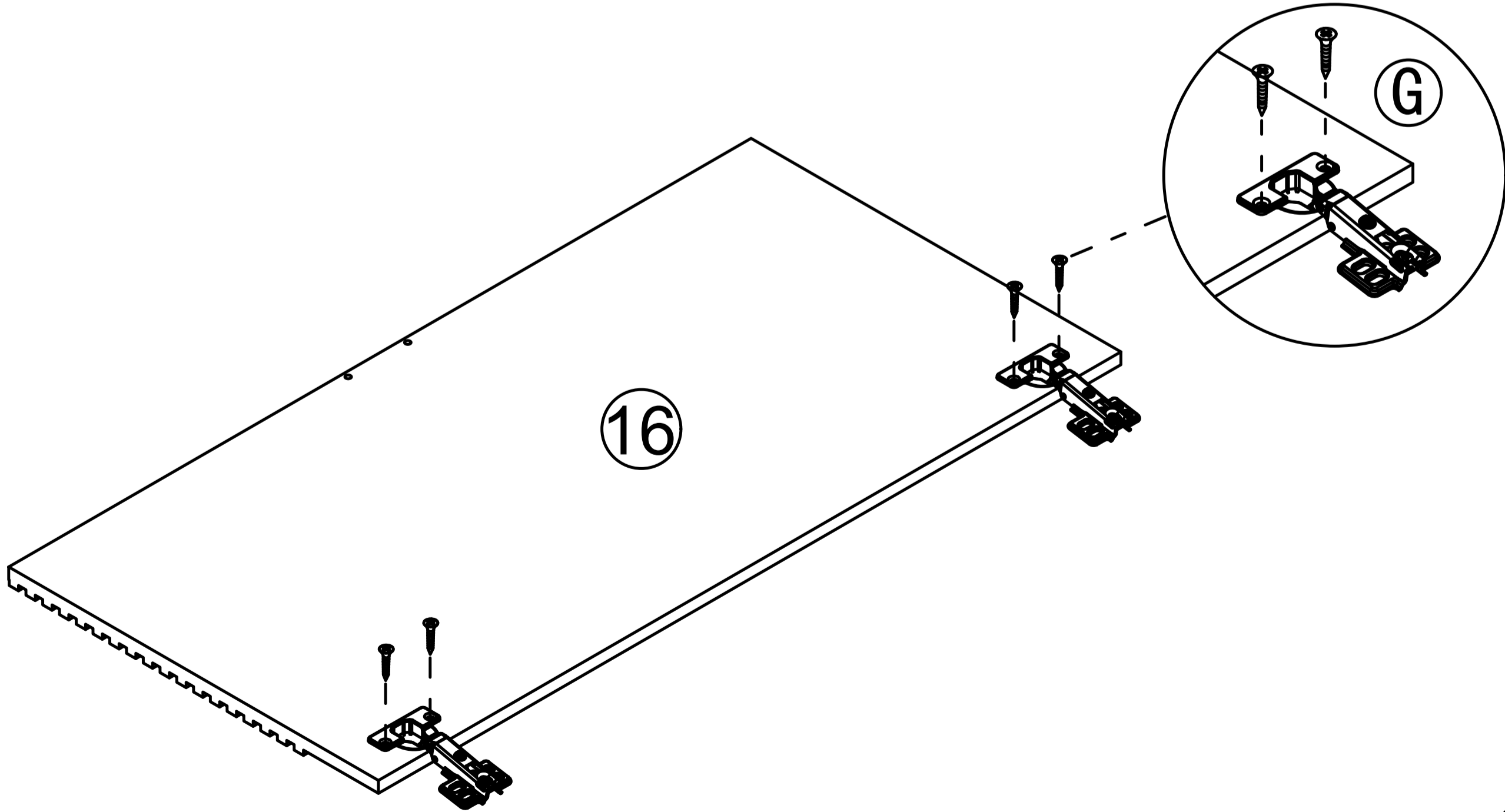
Step 43

- (D)  x1
-  x2





Step 44

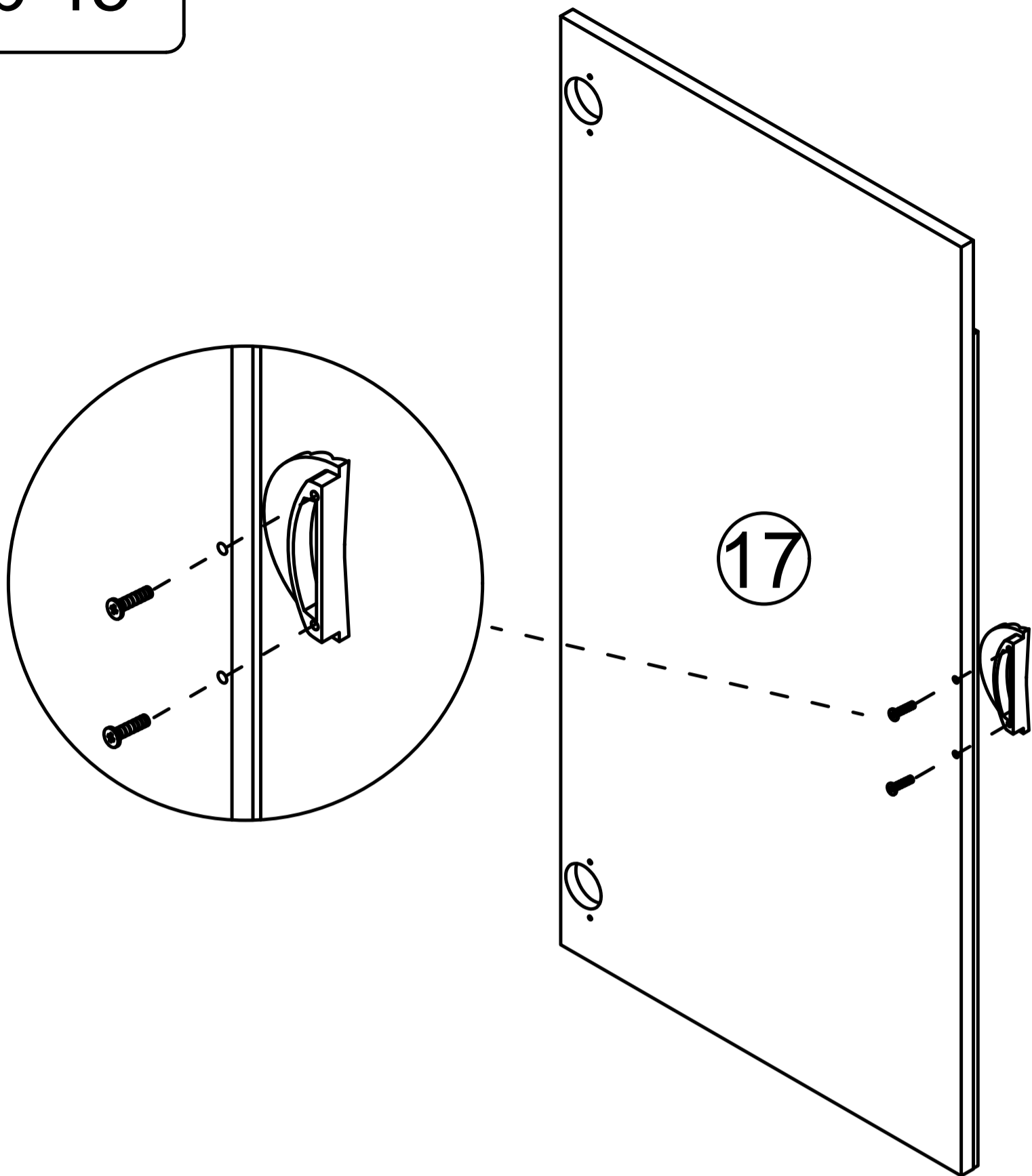
- (G)  x2
-  x4





30

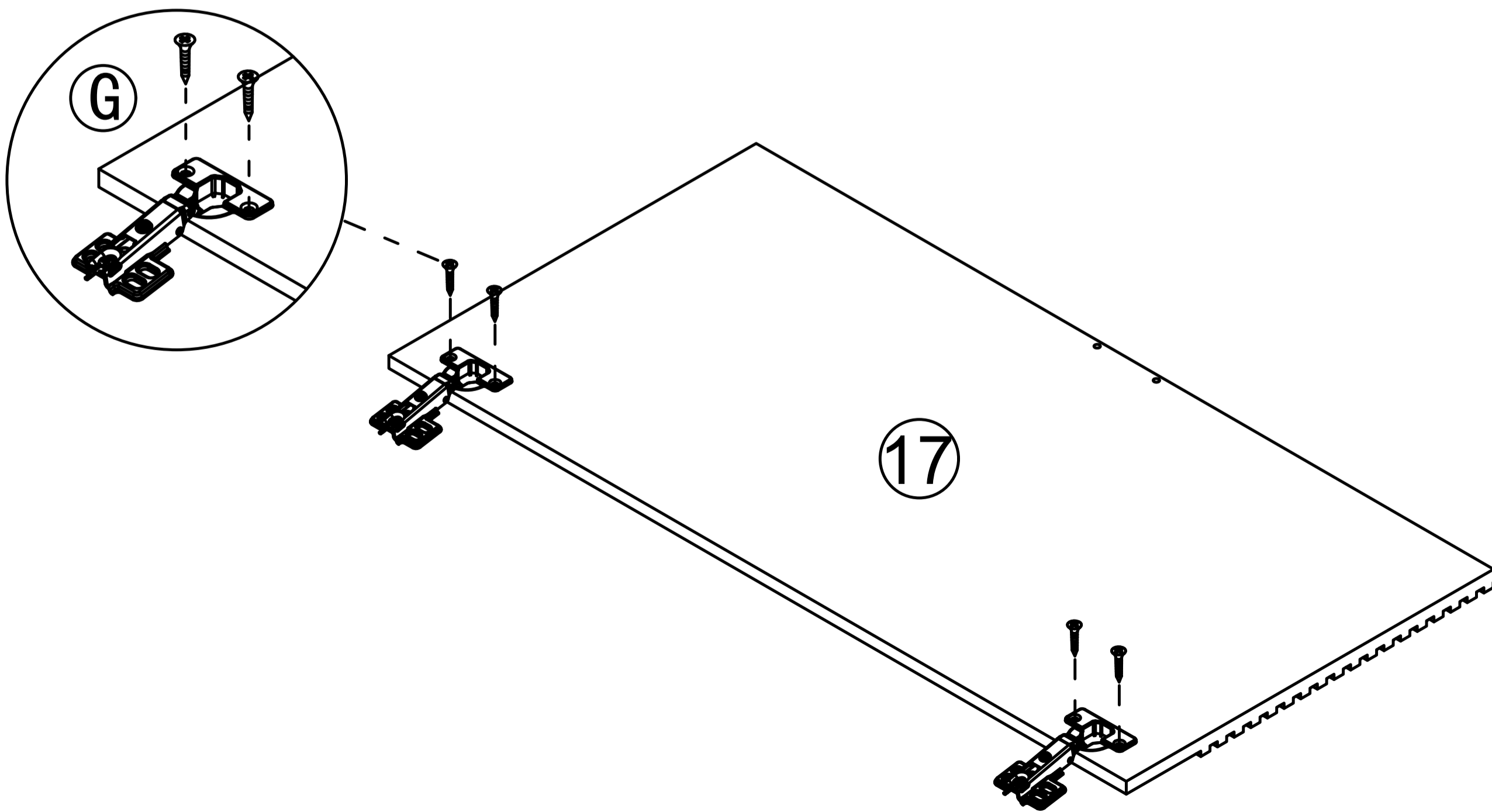
Step 45

- ⓓ
-  x1
 -  x2



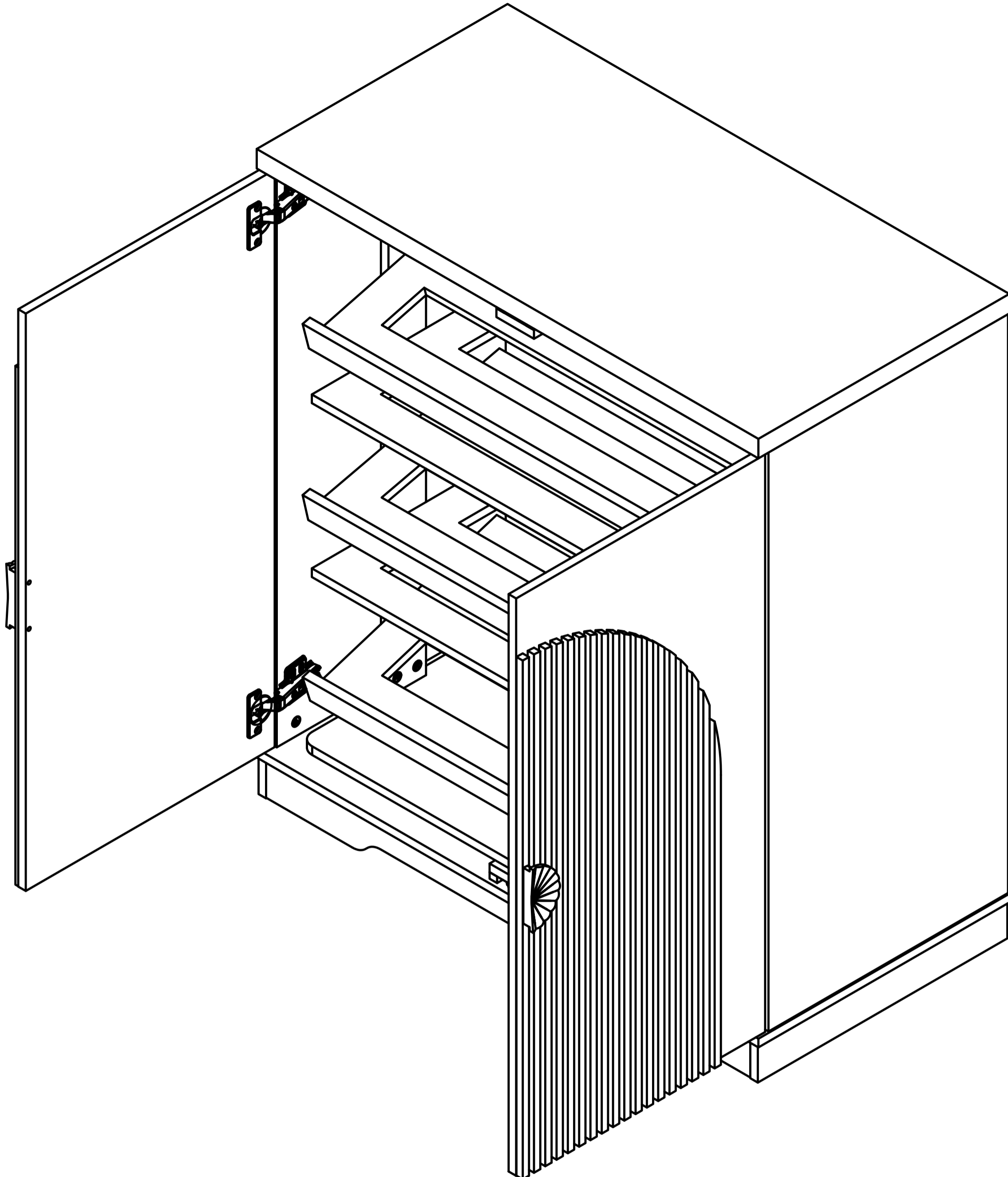
Step 46

- ⓖ
-  x2
 -  x4

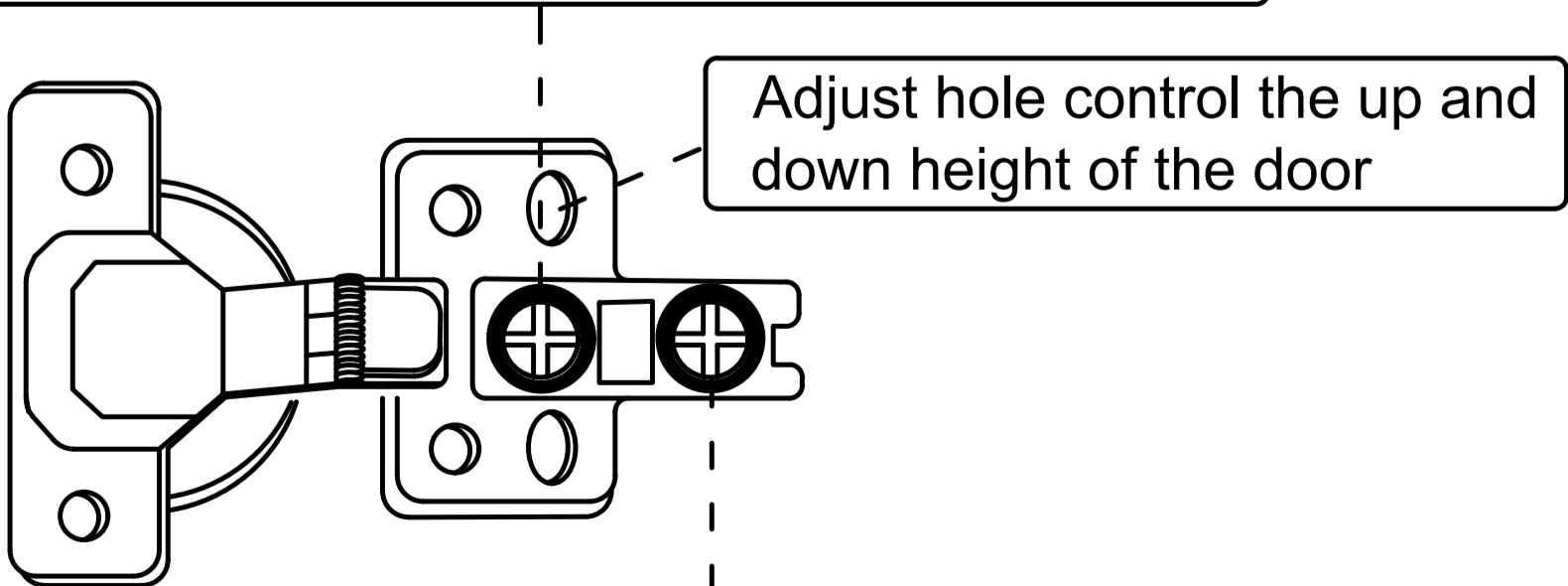


31

Step 47



Adjust screw control the gap between the two doors



Adjust hole control the up and down height of the door

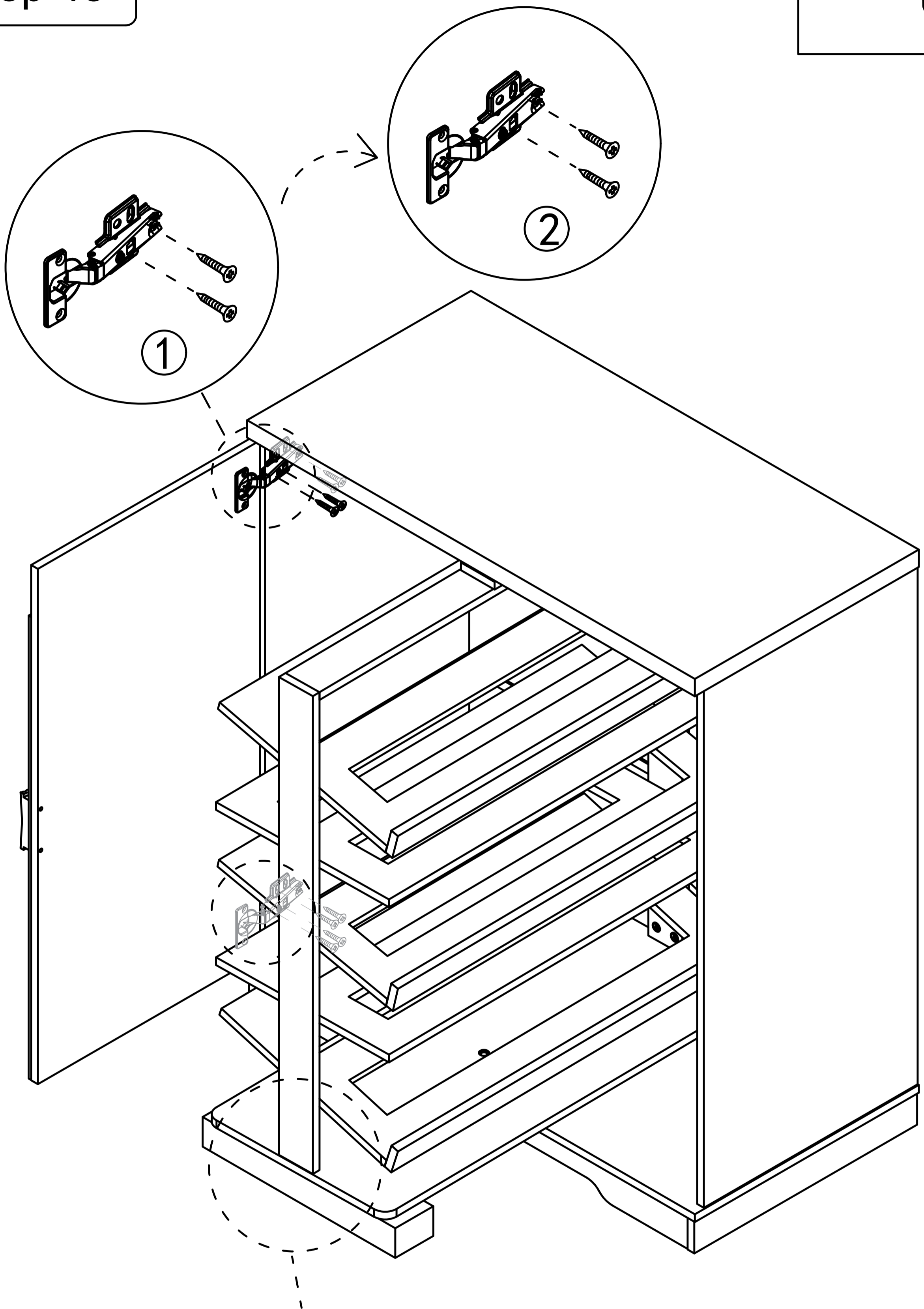
Adjust screw control the gap between the door and the board

Step 48

G



x8



Place wooden blocks or other supports under the product to prevent it from tilting.

When installing the door, first ensure that the door is at the same height as the top board, then fix the inner elliptical hole of the hinge①, and finally lock the circular hole②

SY

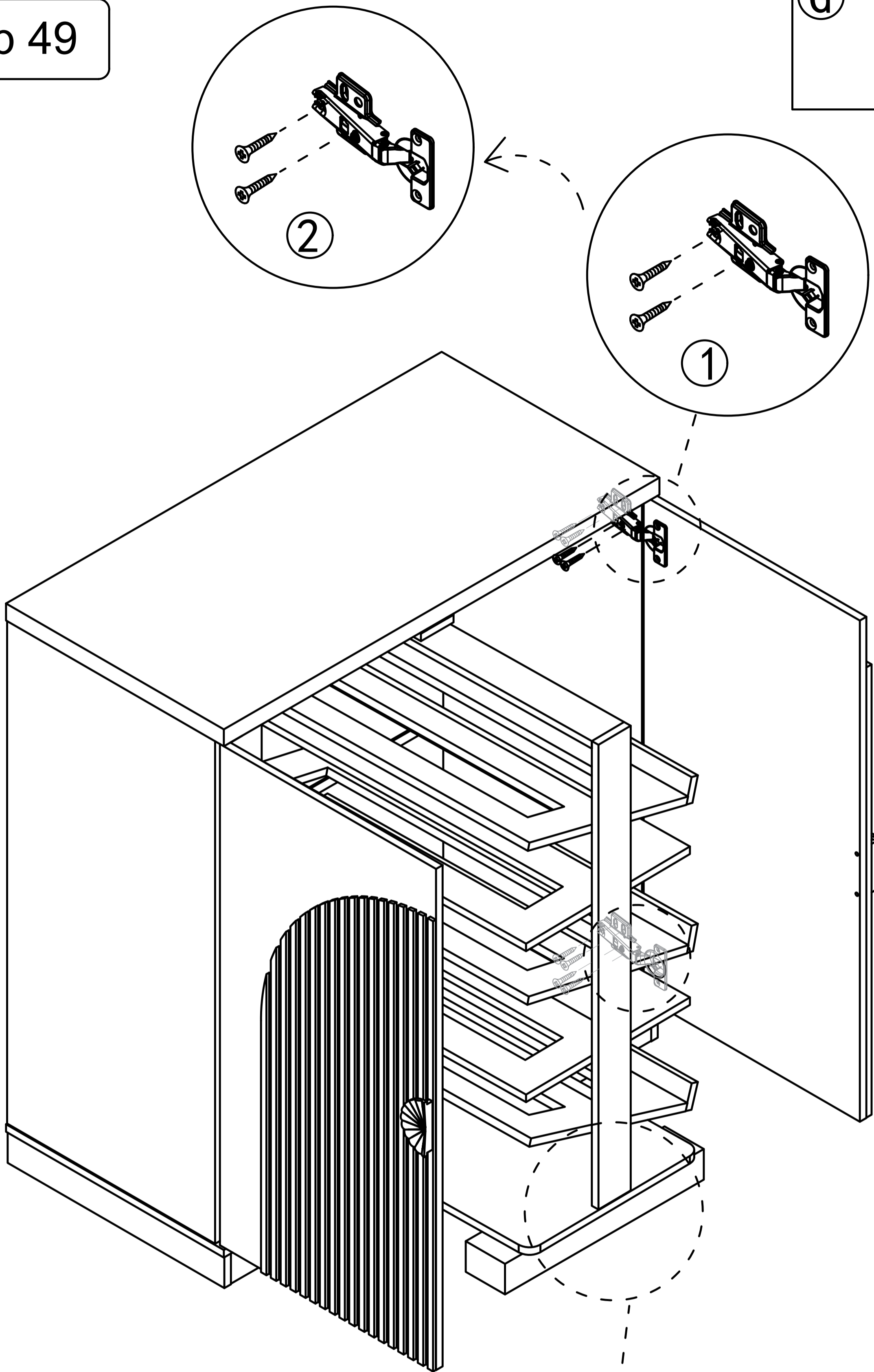
33

Step 49

G



x8

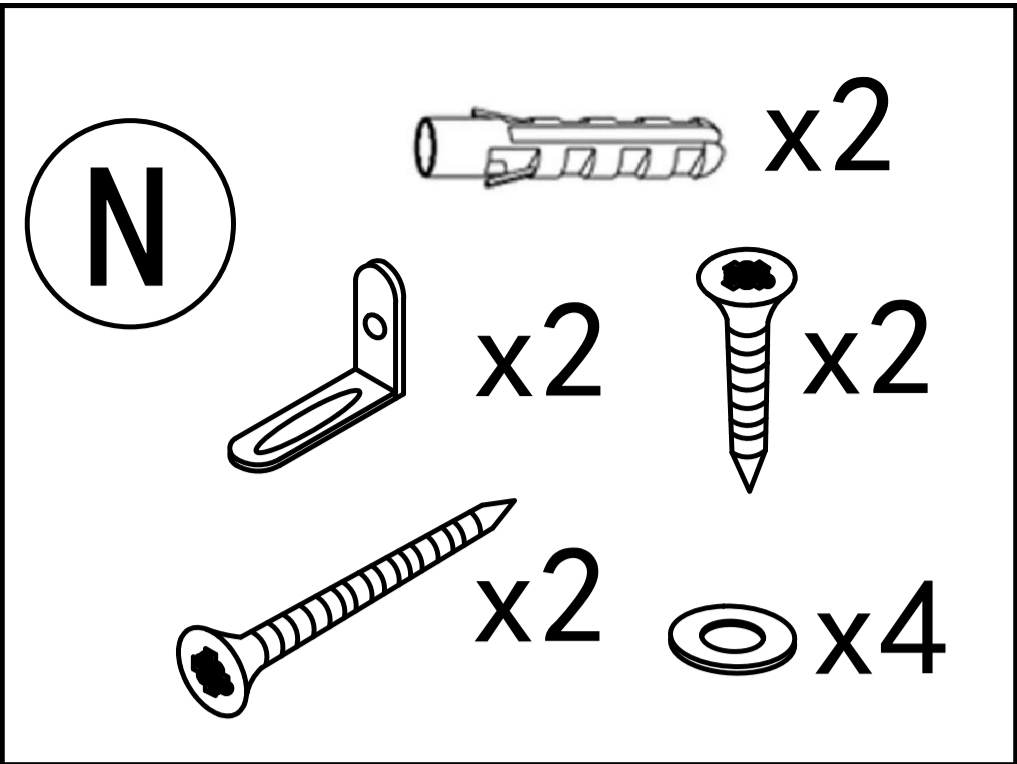
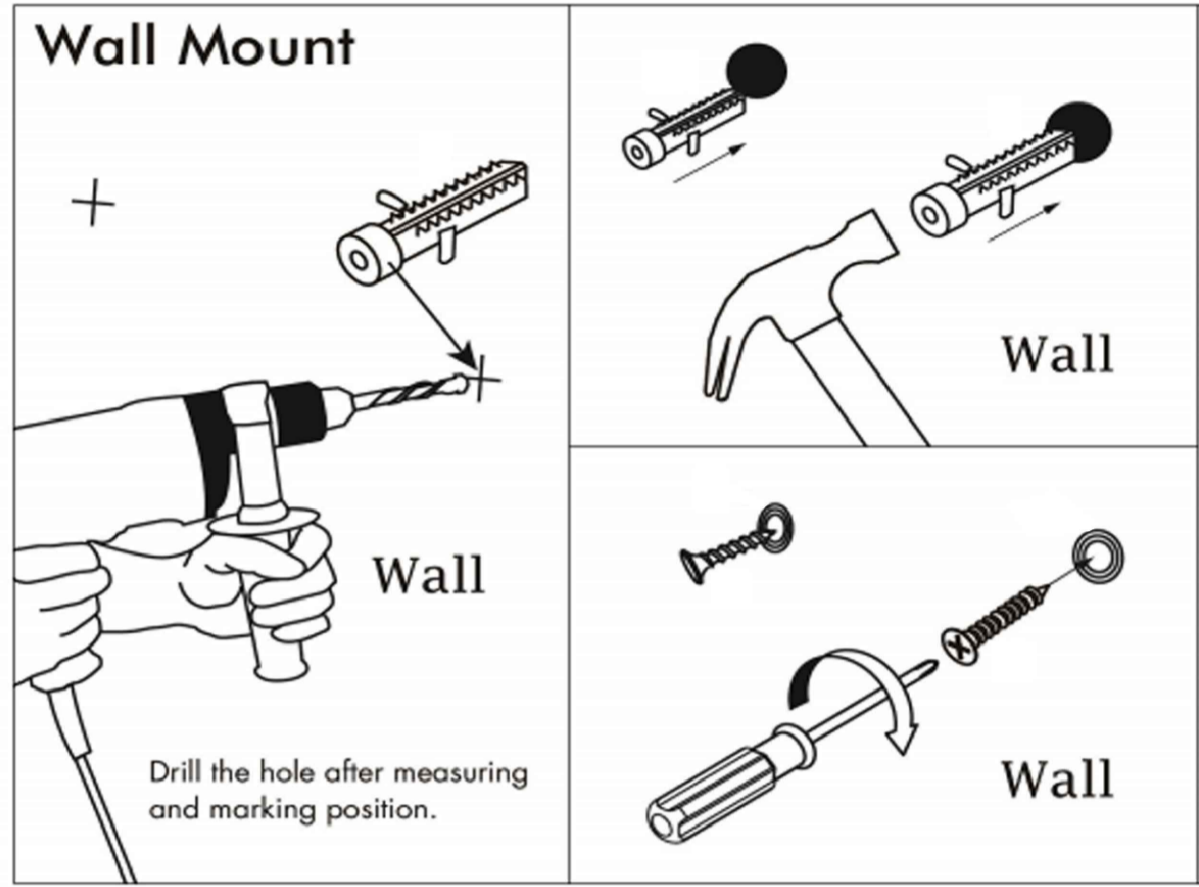


Place wooden blocks or other supports under the product to prevent it from tilting.

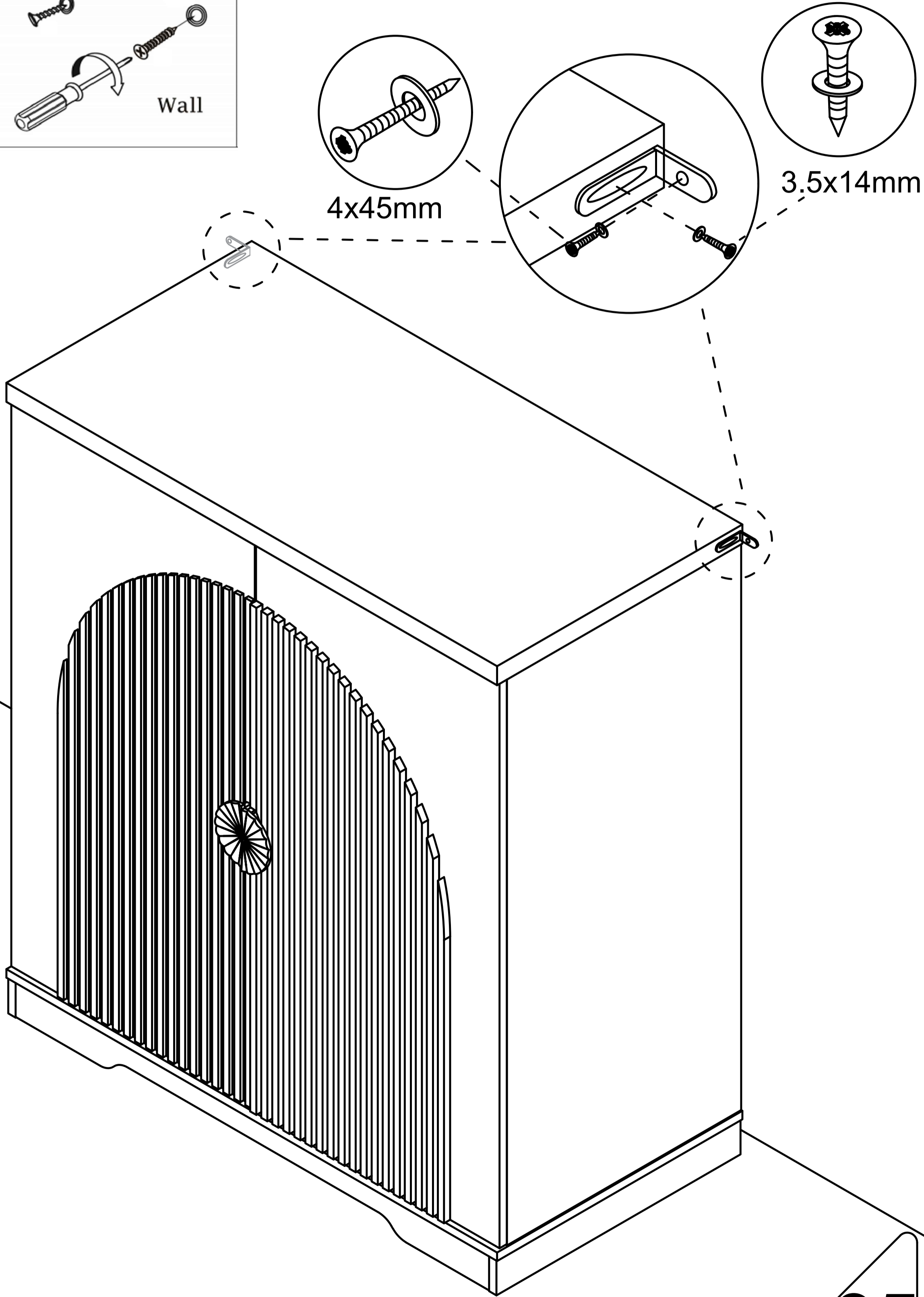
When installing the door, first ensure that the door is at the same height as the top board, then fix the inner elliptical hole of the hinge①, and finally lock the circular hole②

SY

Step 50

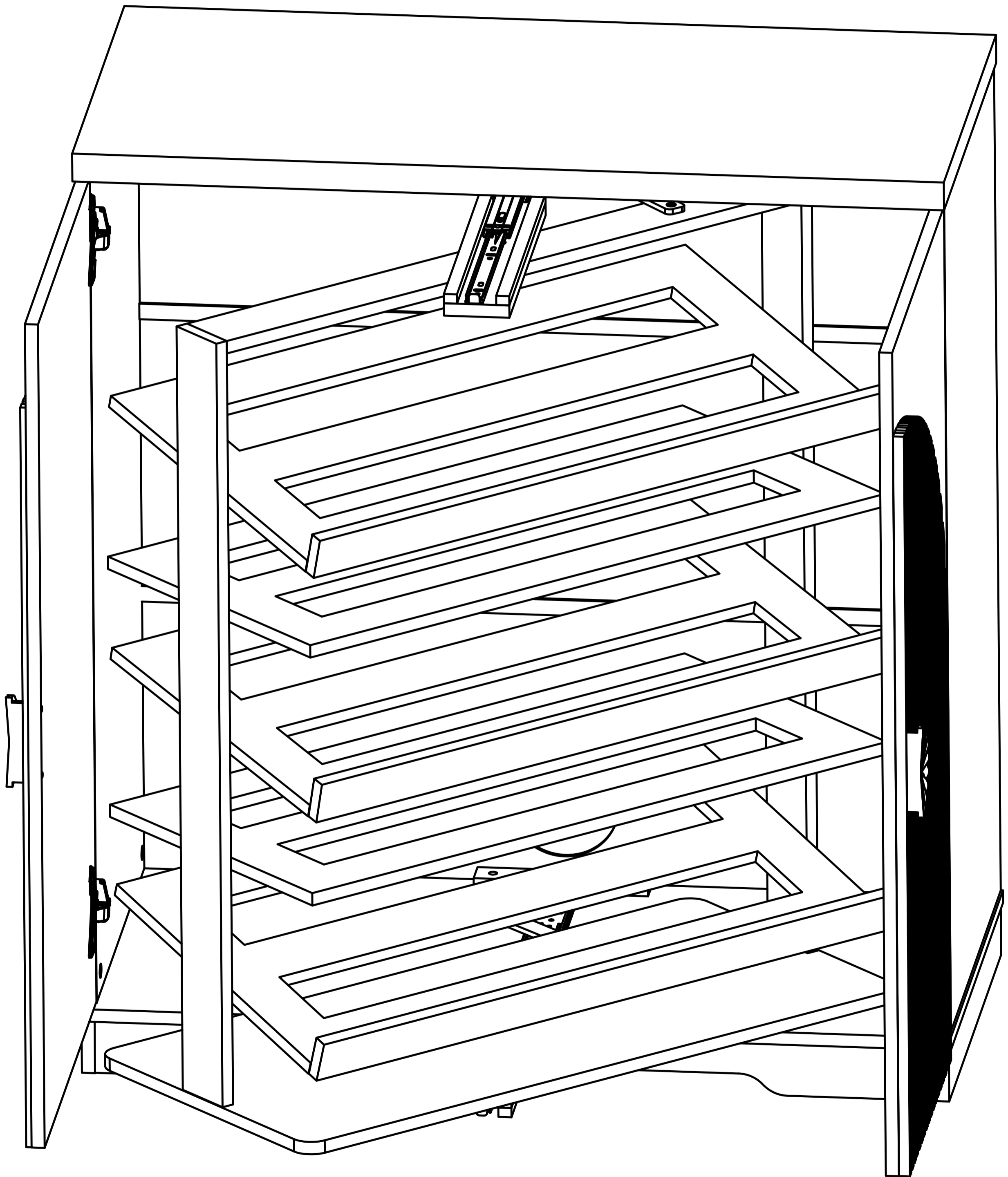


wall



Step 51

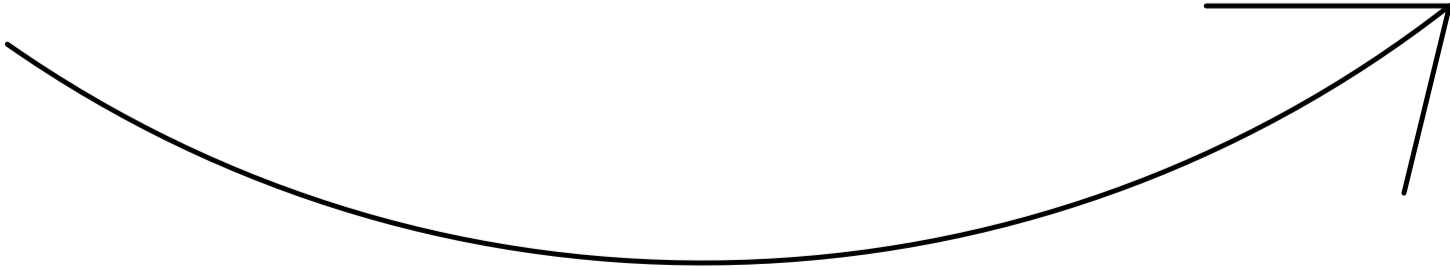
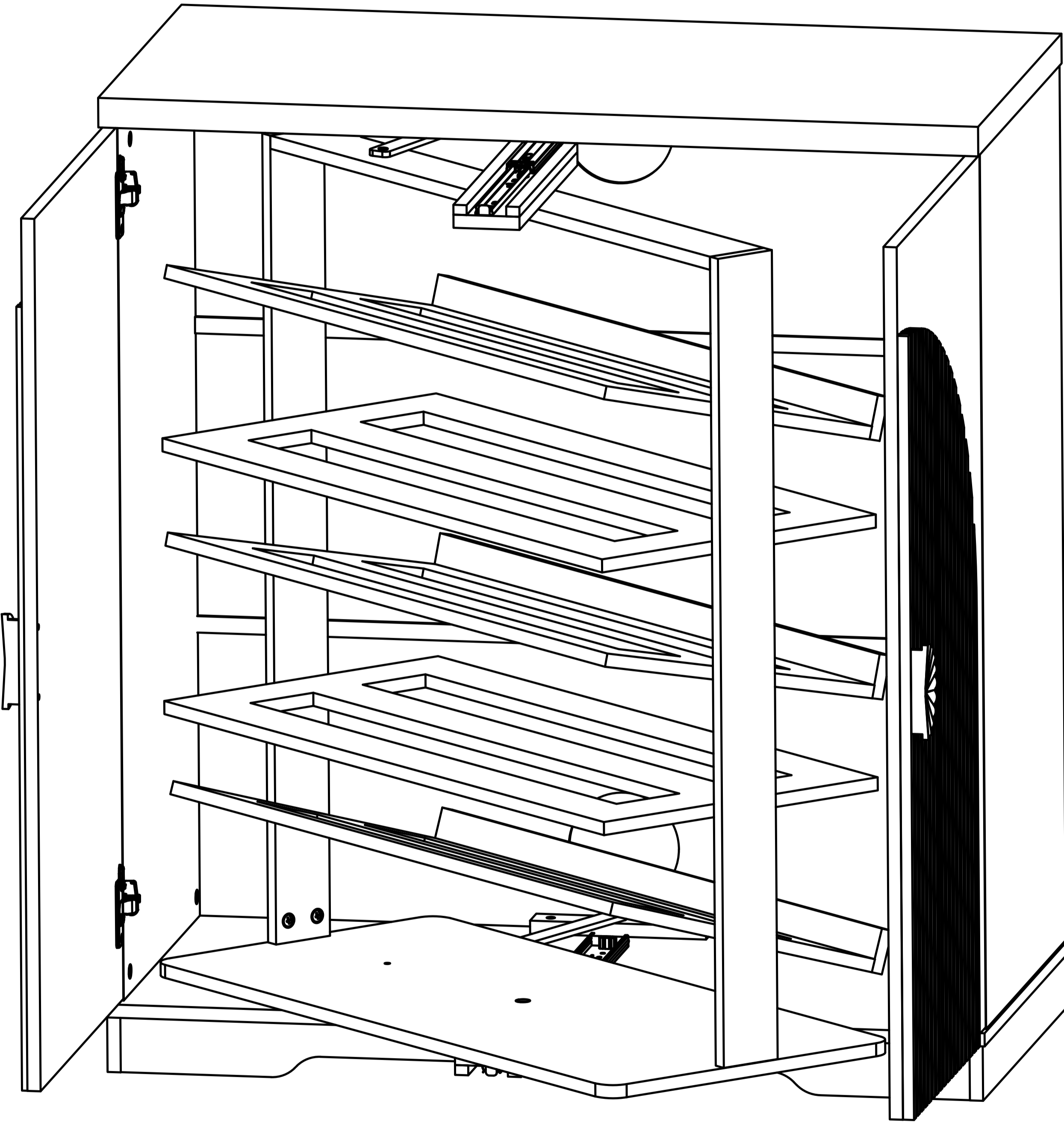
Rotatable 180 degrees



SY

Step 52

Rotatable 180 degrees



SY