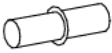
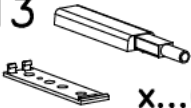

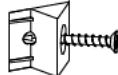
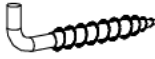


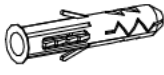
F2

 x...(12)


L13

 x...(4)

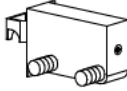
G34

 3,5x16 x...(22)

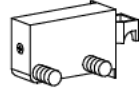
I1

 x...(10)


U7

 x...(3)


U8

 ø10x60 x...(3)

G50

 6x13 x...(8)

U9L

 x...(1)

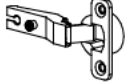
U9R

 x...(2)

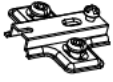
U10L

 x...(1)

U10R

 x...(2)

K1


 ø15x12 x...(16)

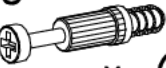
C10

 Z35PL x...(4)


D10

 PZ35PL x...(4)


I4

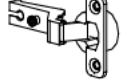
 ø5 x...(10)


I10

 ø10 x...(10)

K10

 x...(16)

B1

 ø8x35 x...(8)

I7

 x...(16)

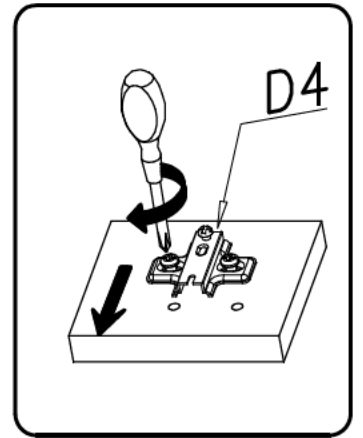
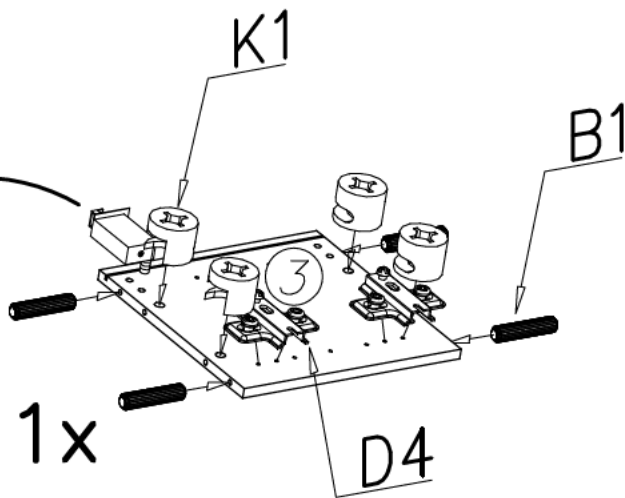
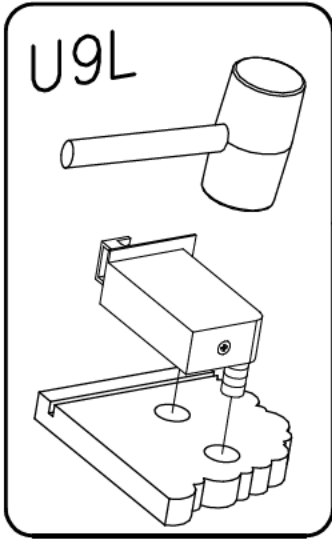
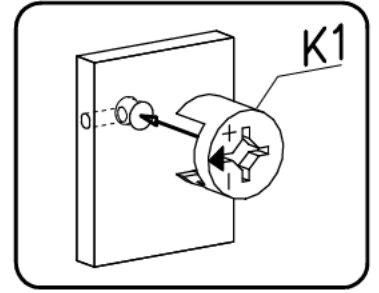
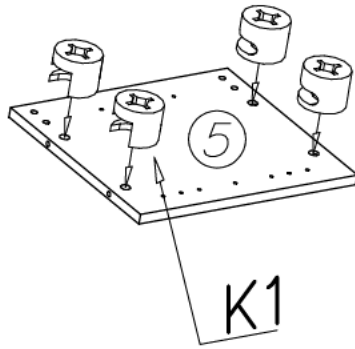
C4

 Z350D x...(4)

D4

 PZ350D x...(4) H=2

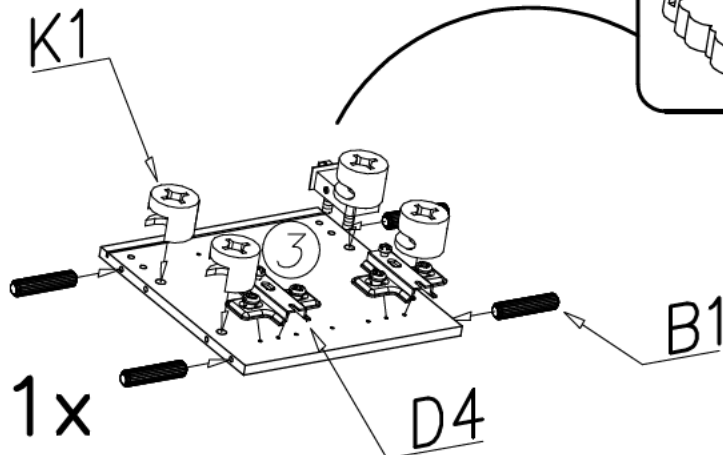
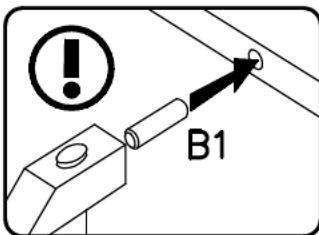
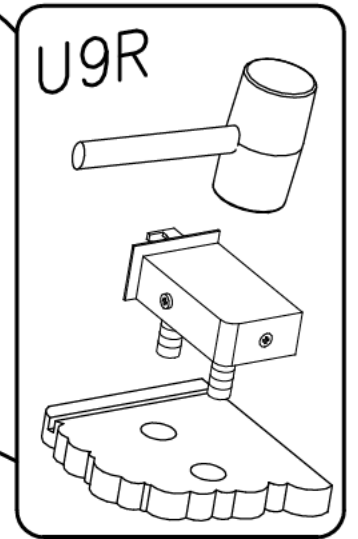
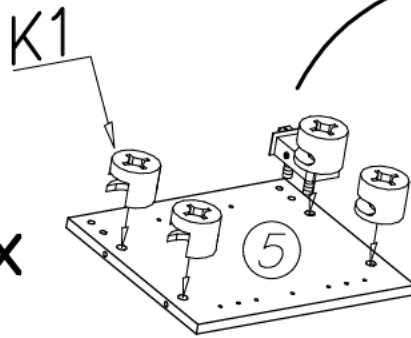
I



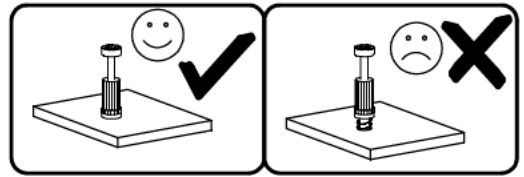
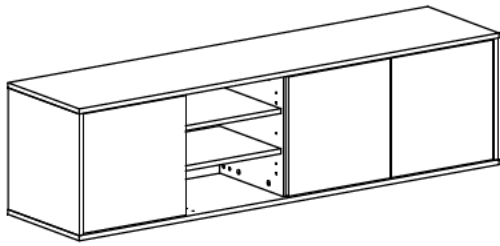
1x



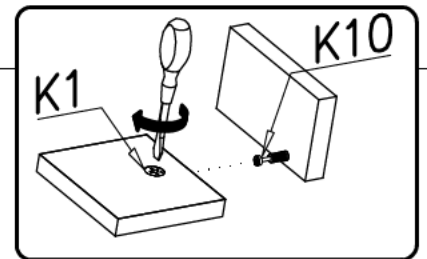
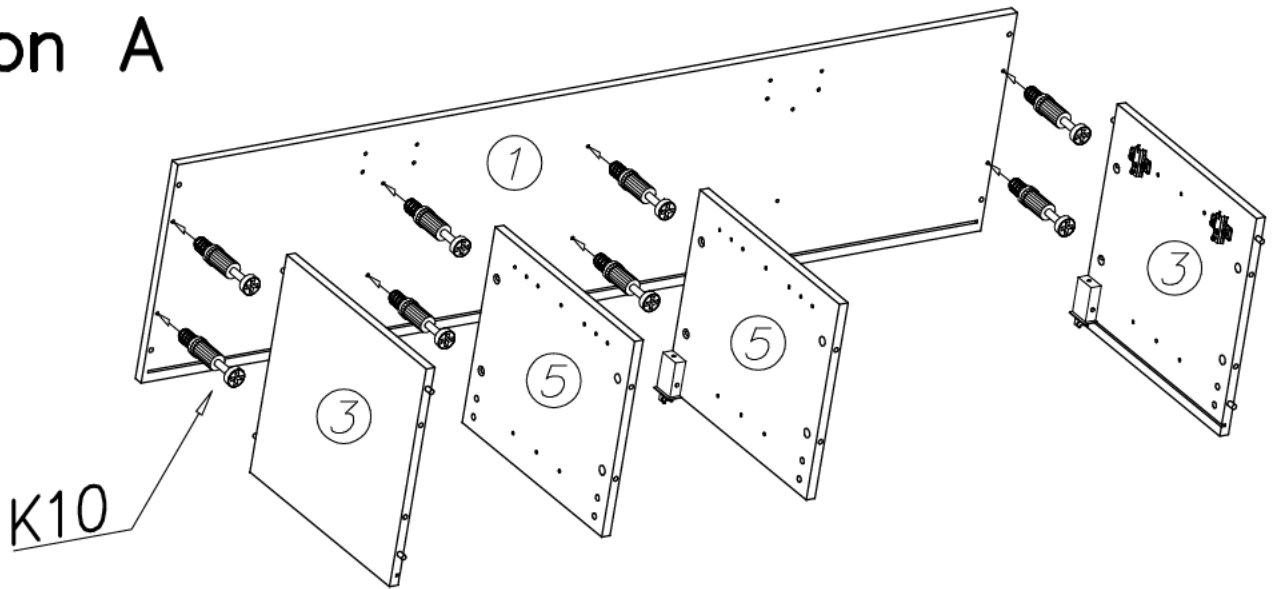
1x



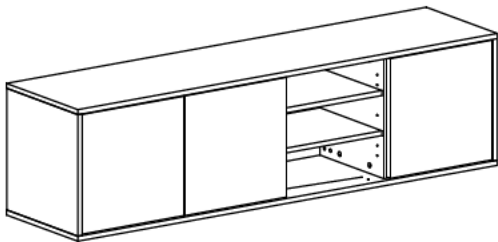
II



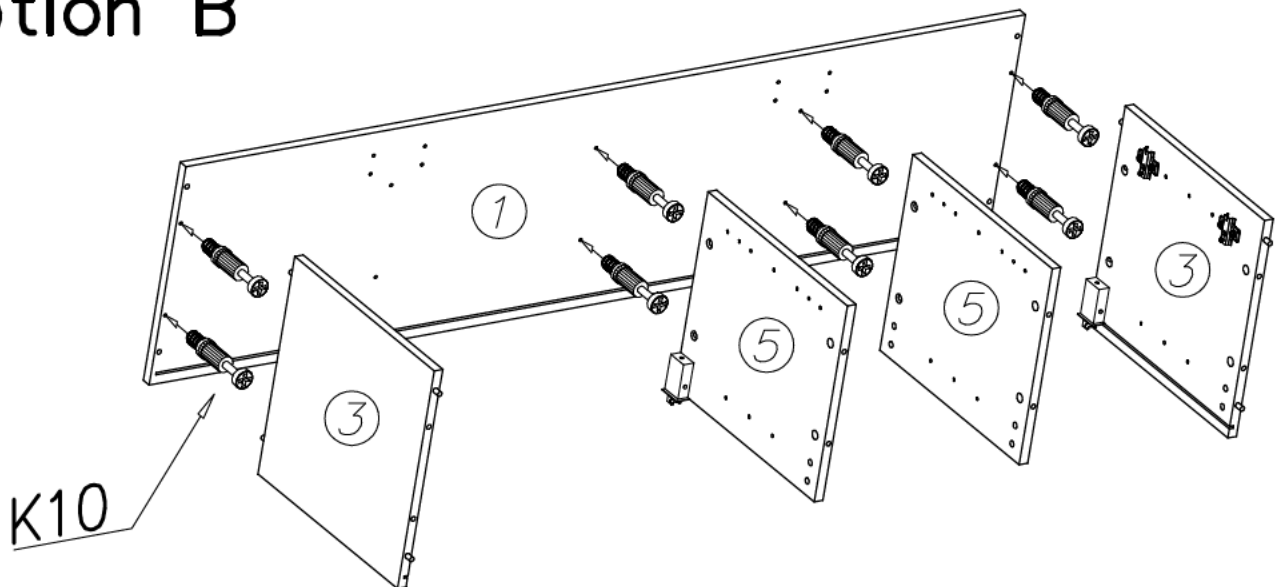
Option A



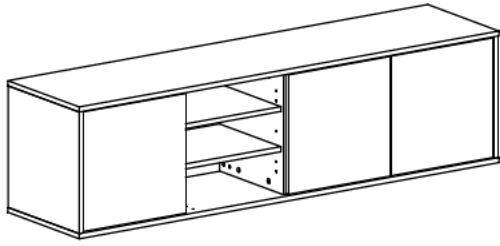
II



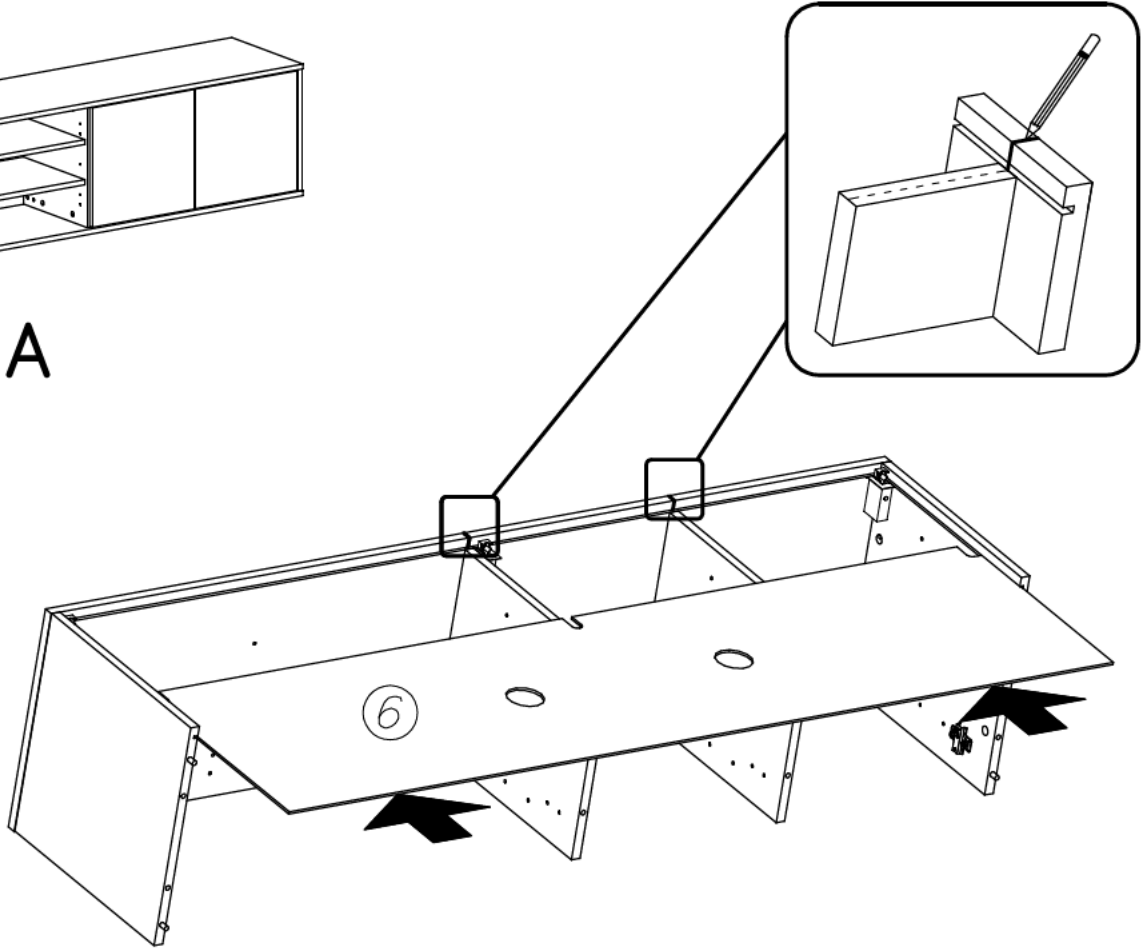
Option B



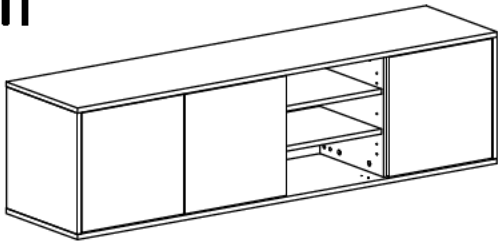
III



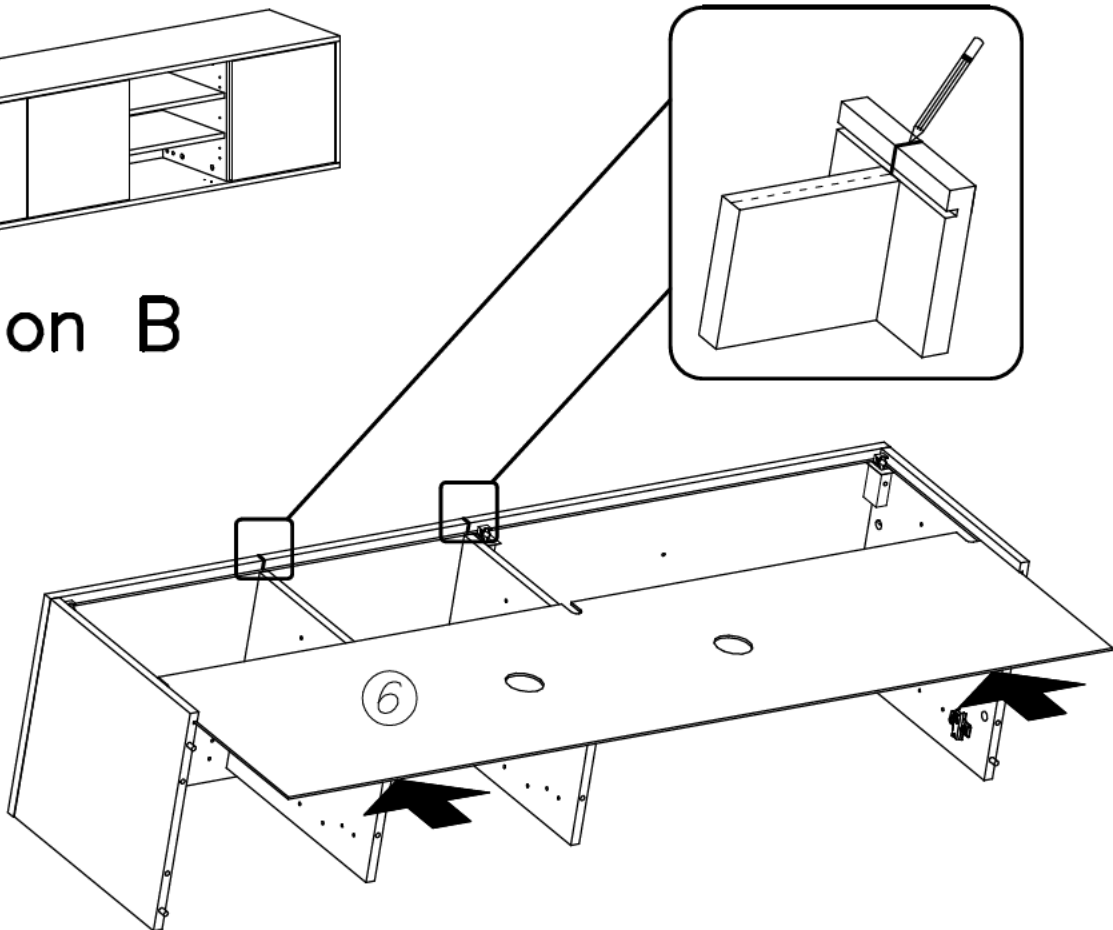
Option A



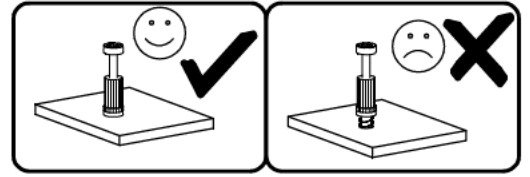
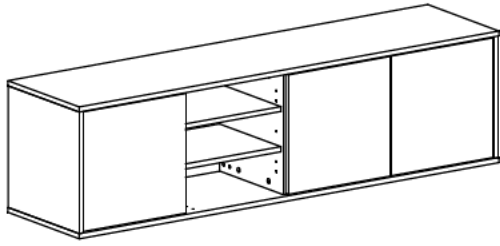
III



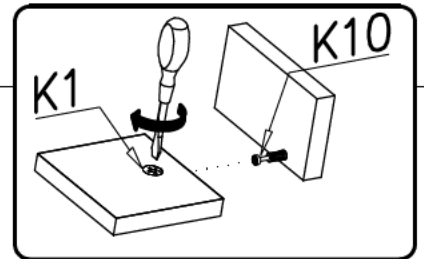
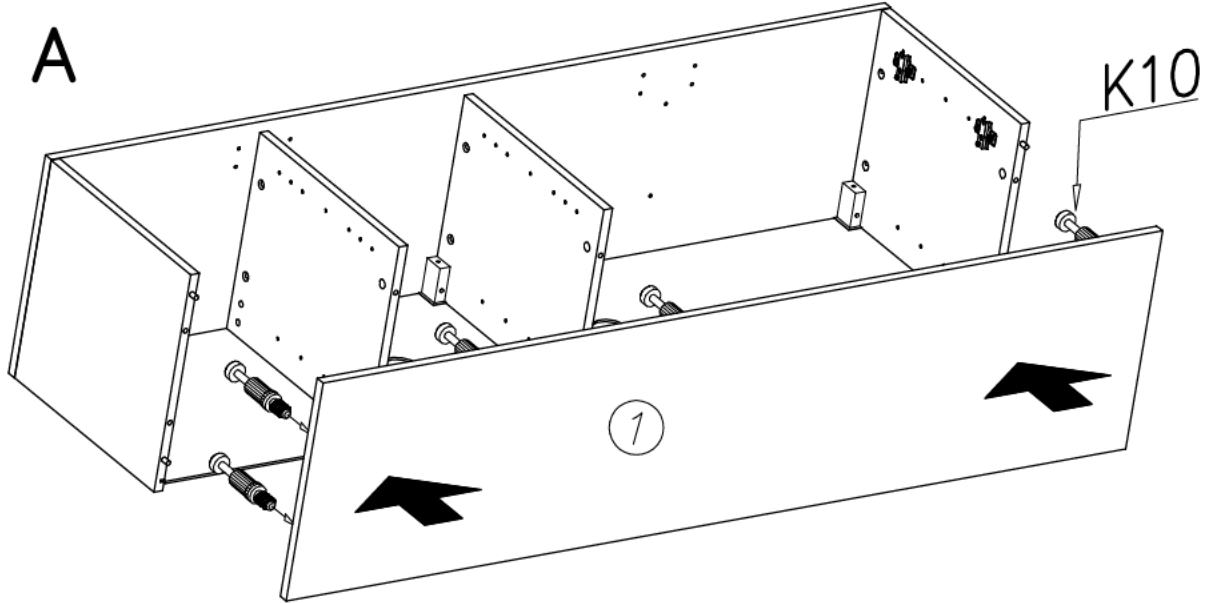
Option B



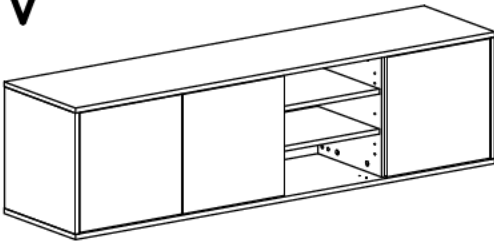
IV



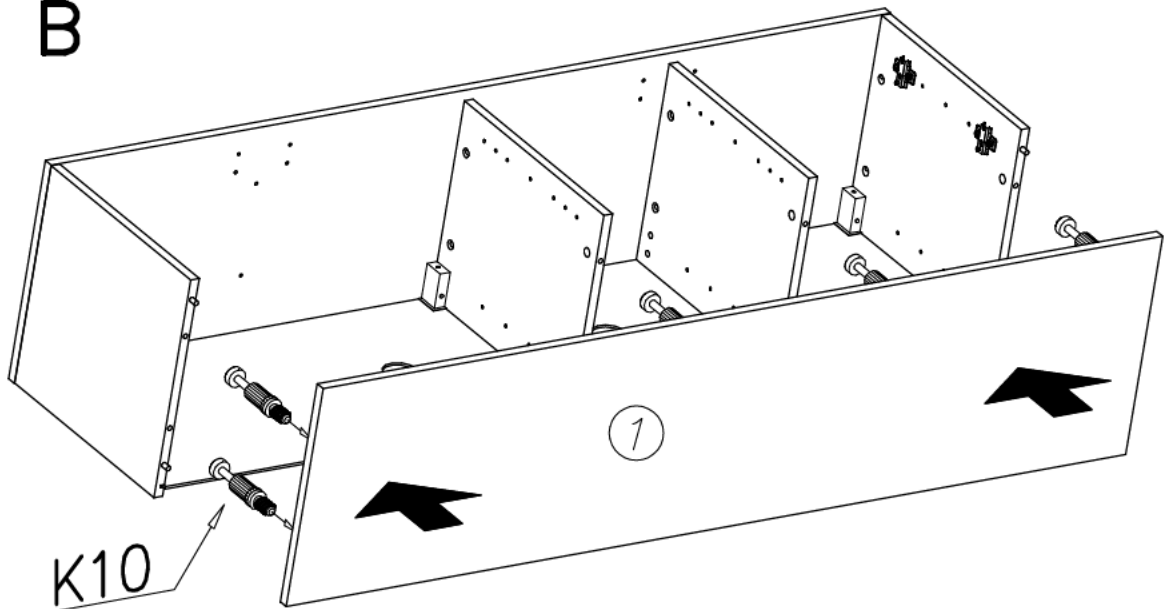
Option A



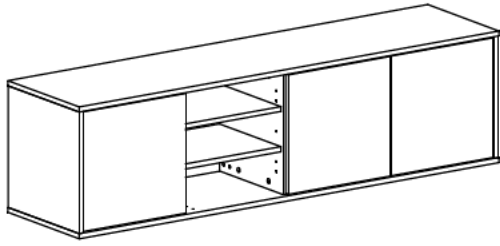
IV



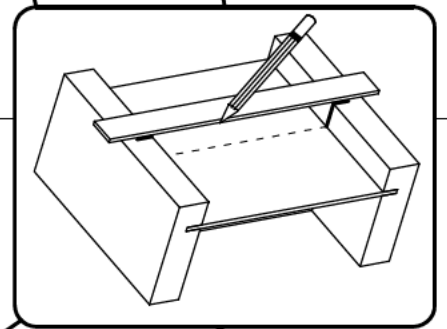
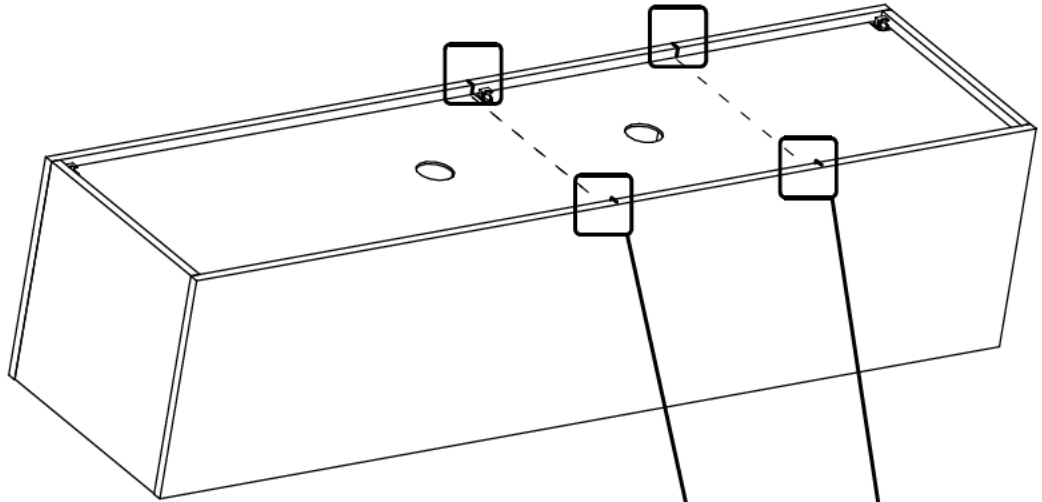
Option B



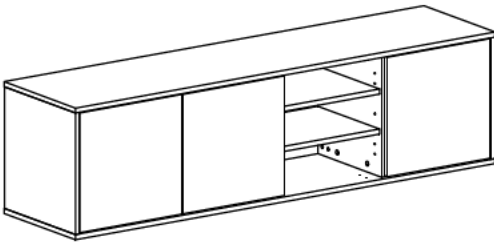
V



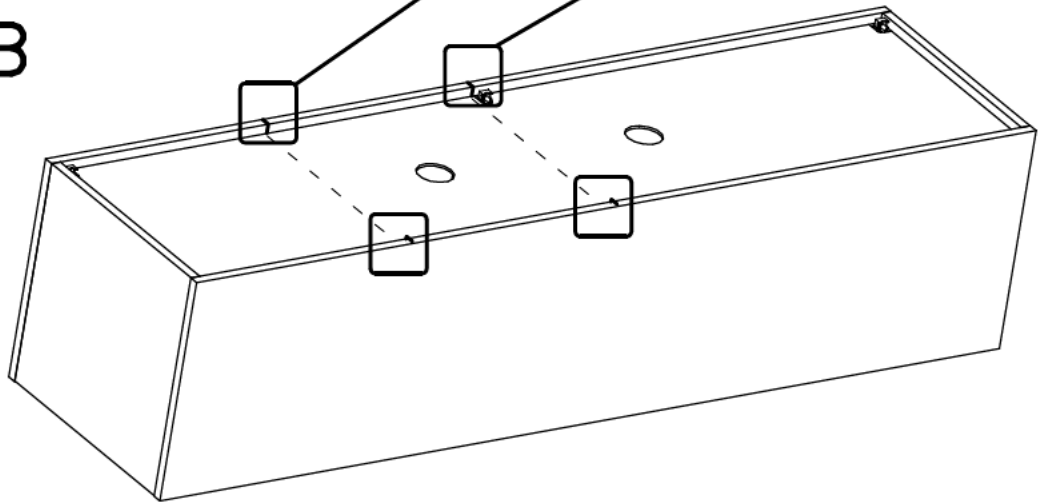
Option A



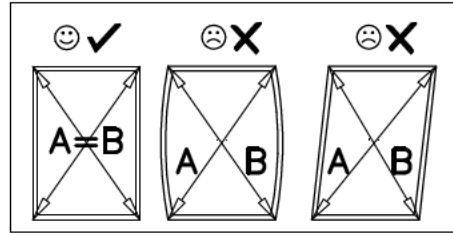
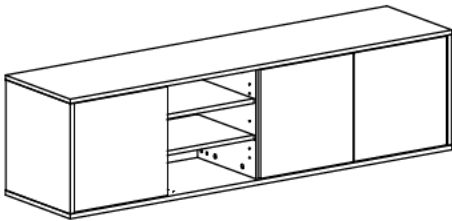
V



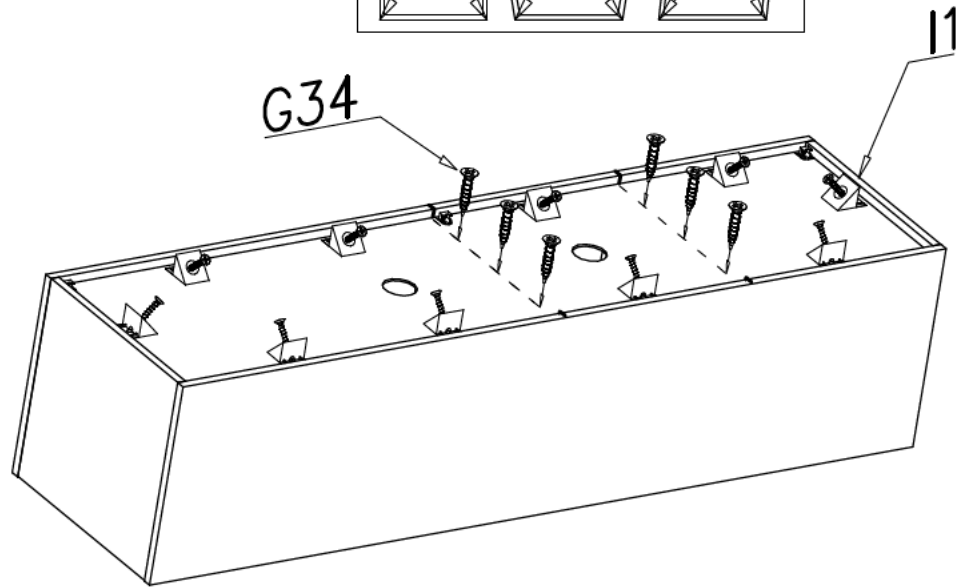
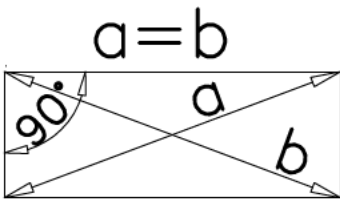
Option B



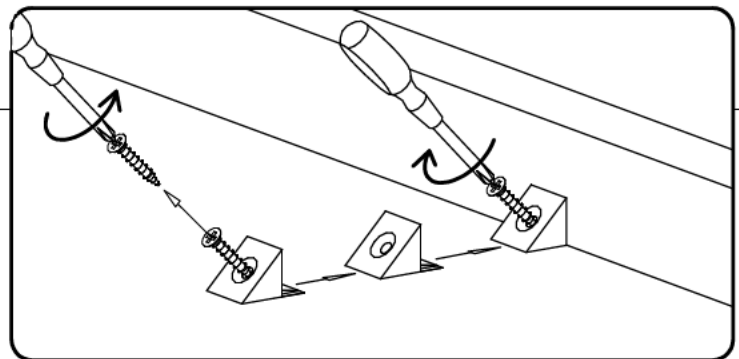
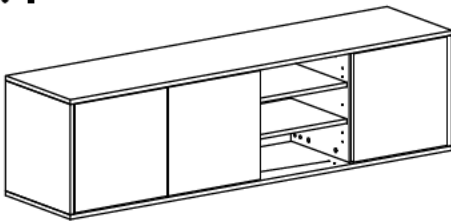
VI



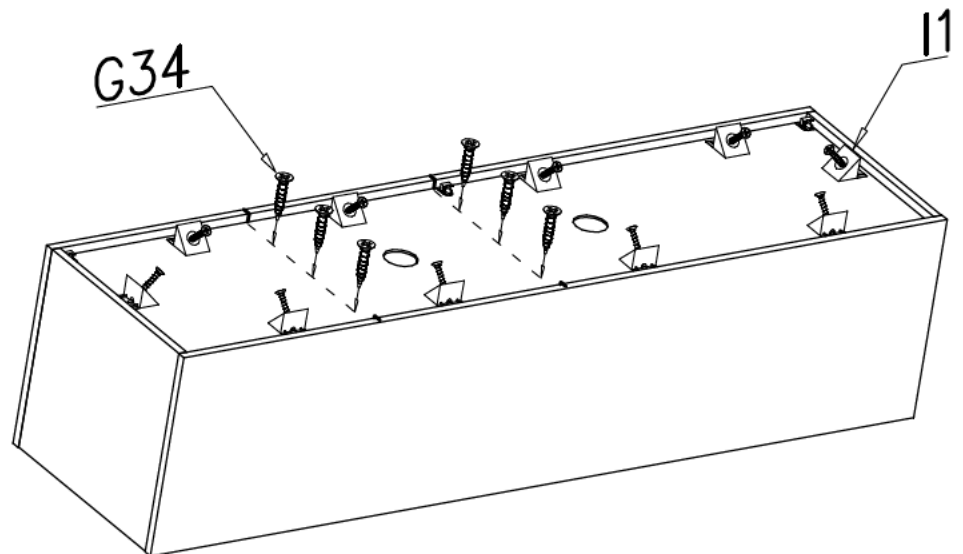
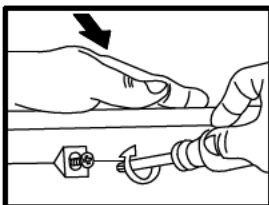
Option A



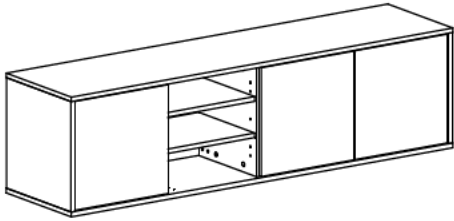
VI



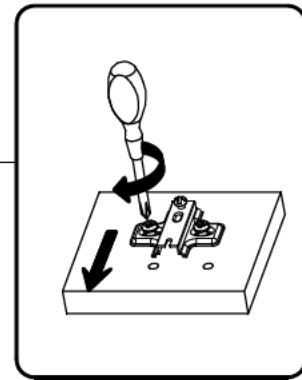
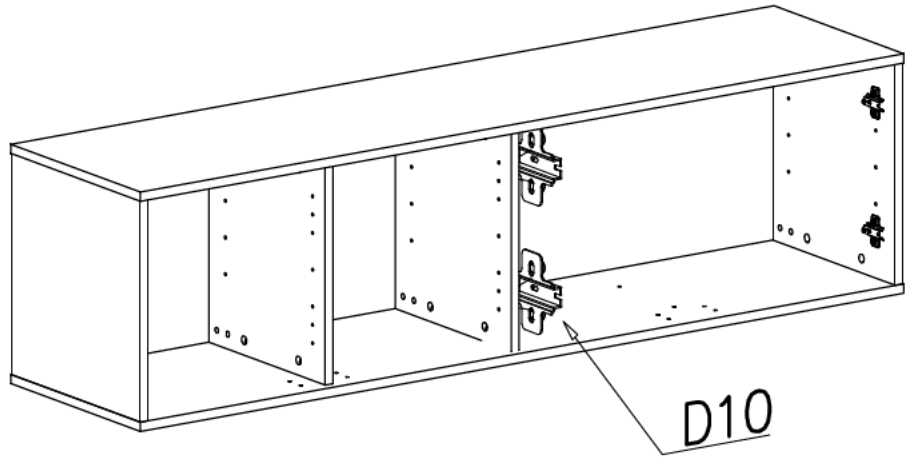
Option B



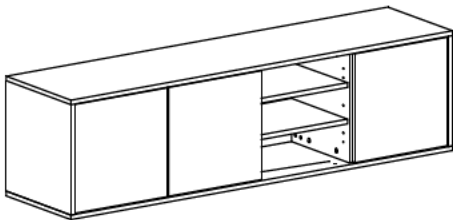
VII



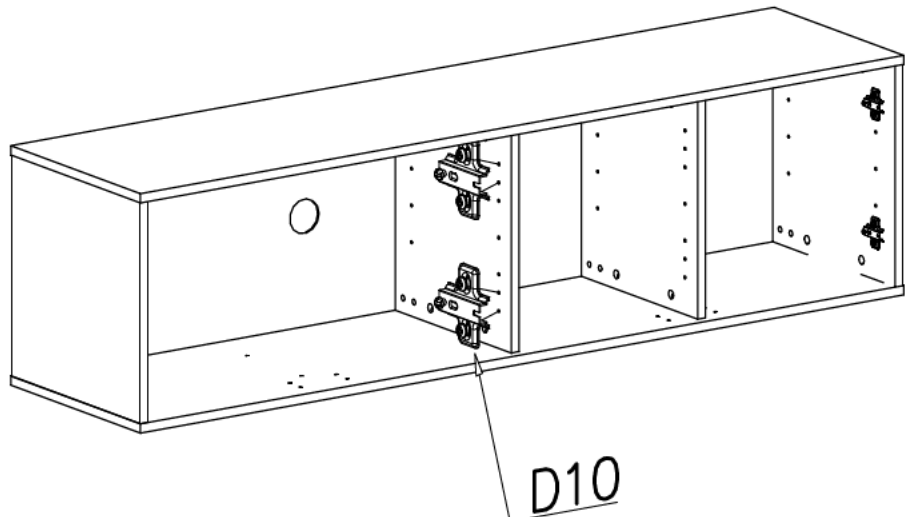
Option A



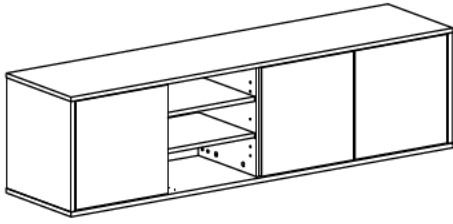
VII



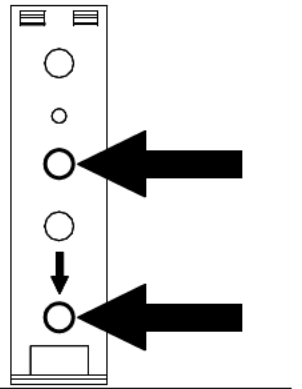
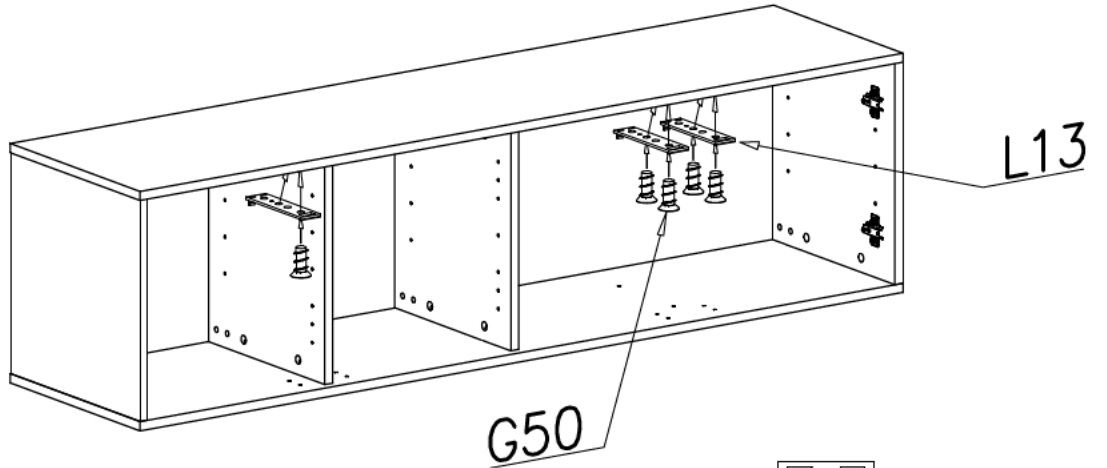
Option B



VIII

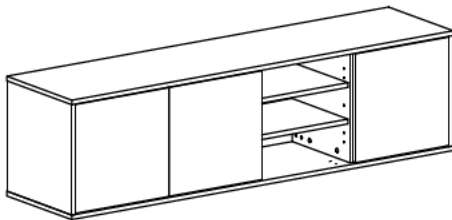


Option A

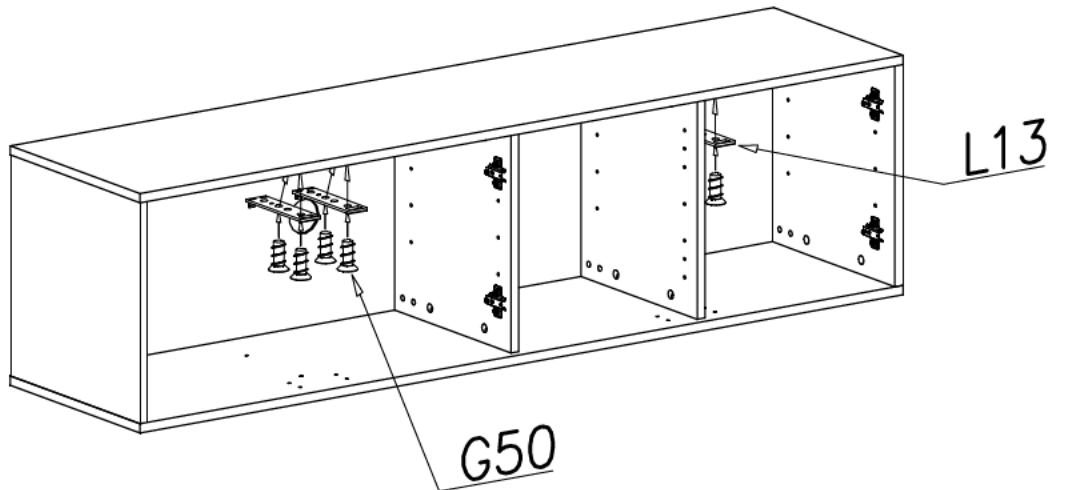


front

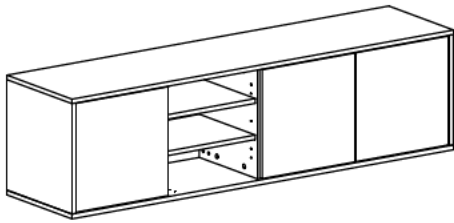
VIII



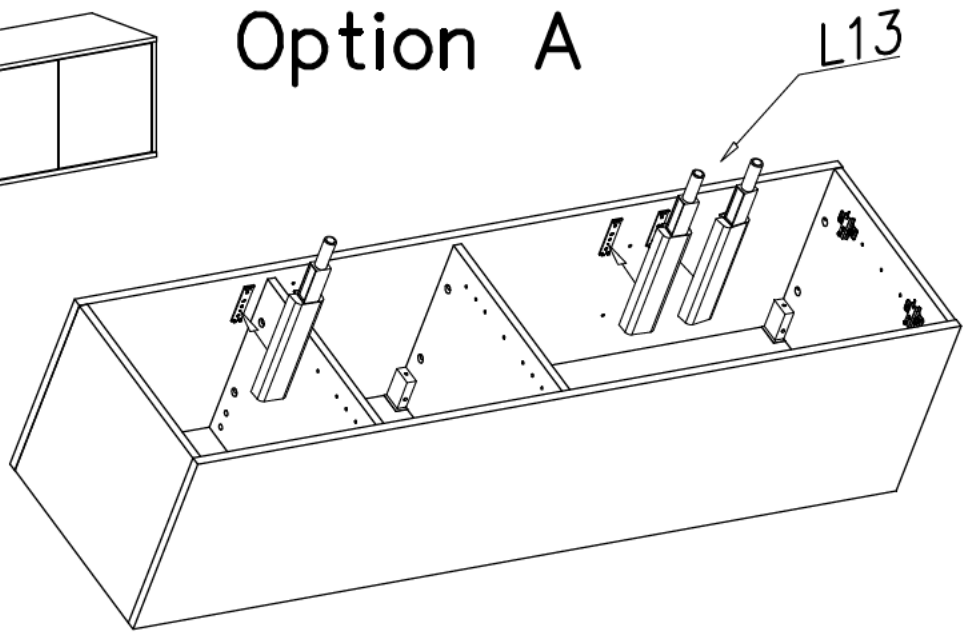
Option B



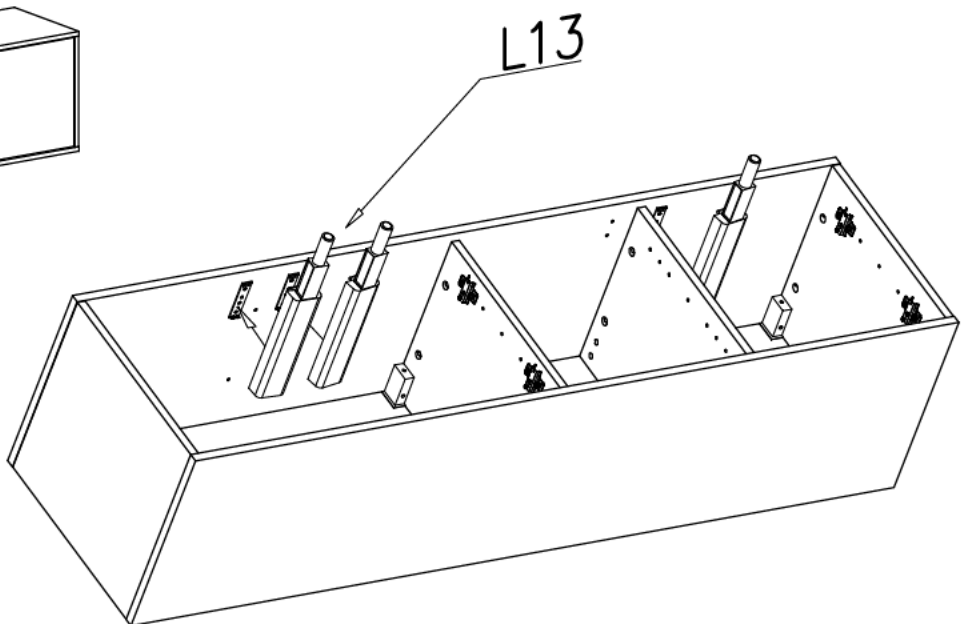
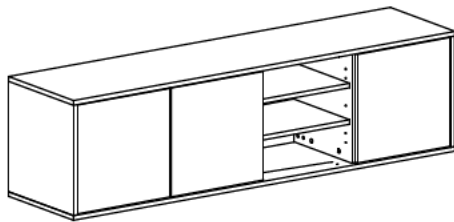
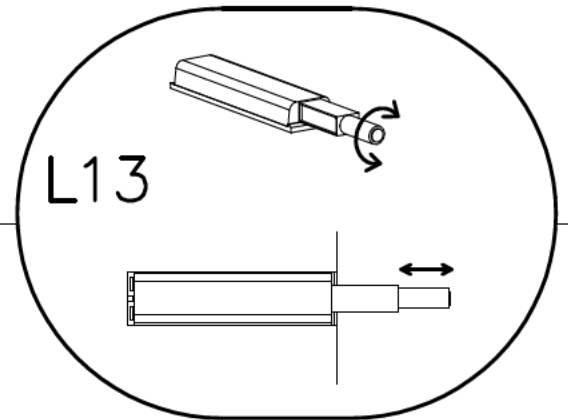
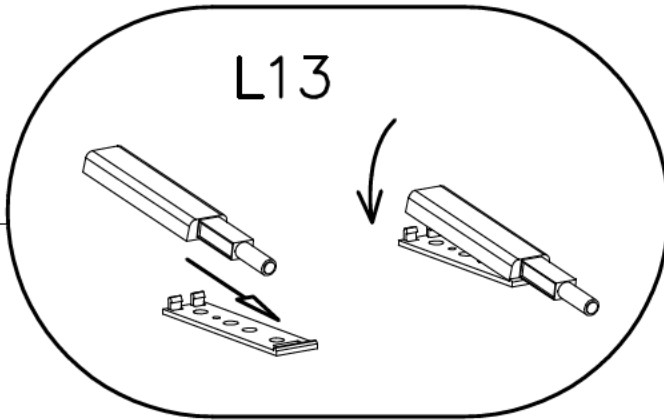
IX



Option A

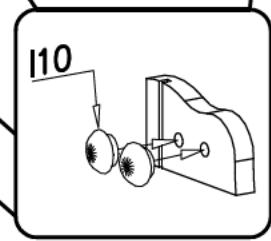
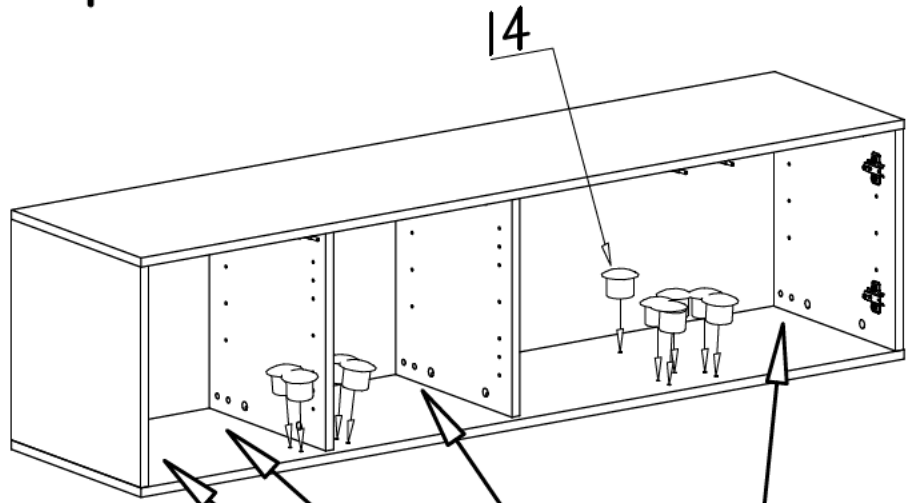
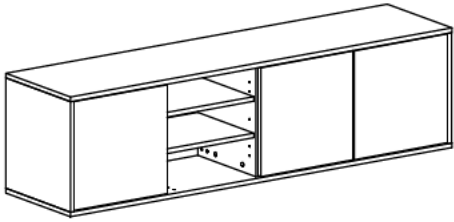


IX



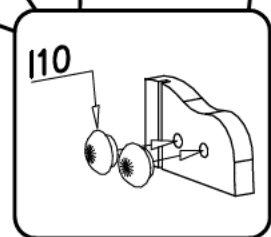
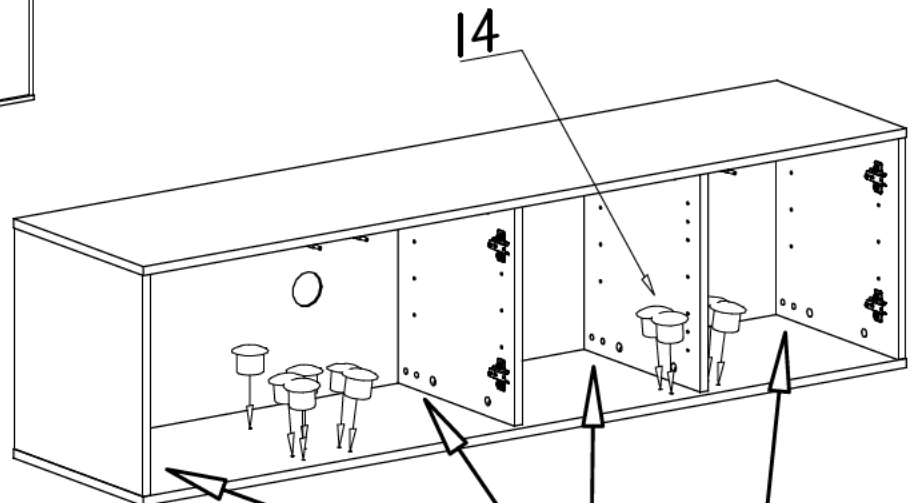
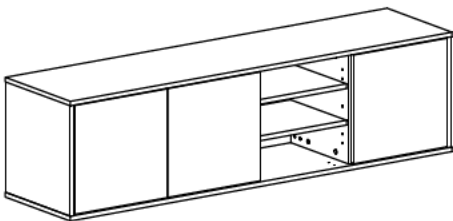
X

Option A

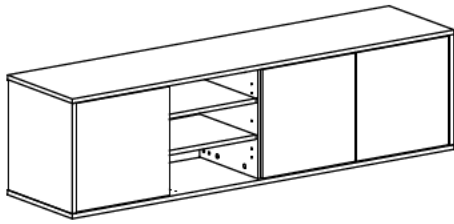


X

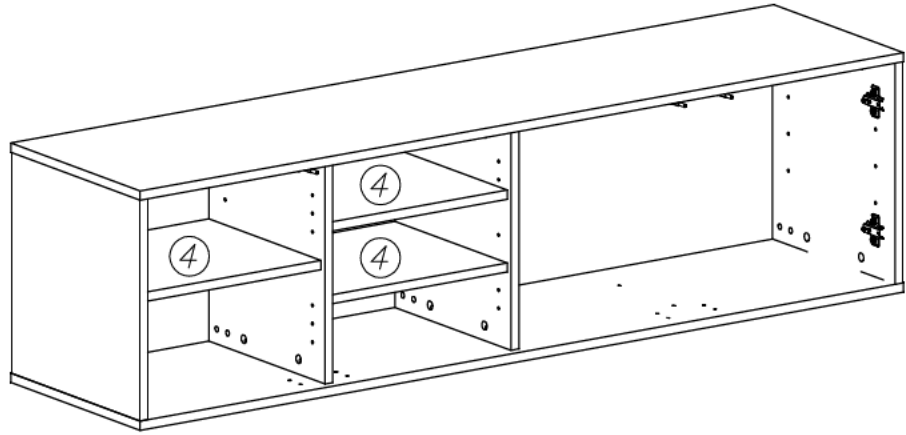
Option B



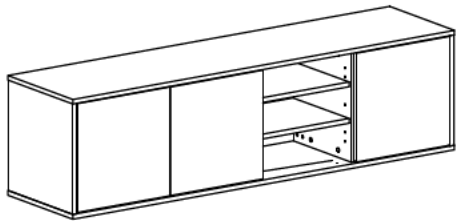
XI



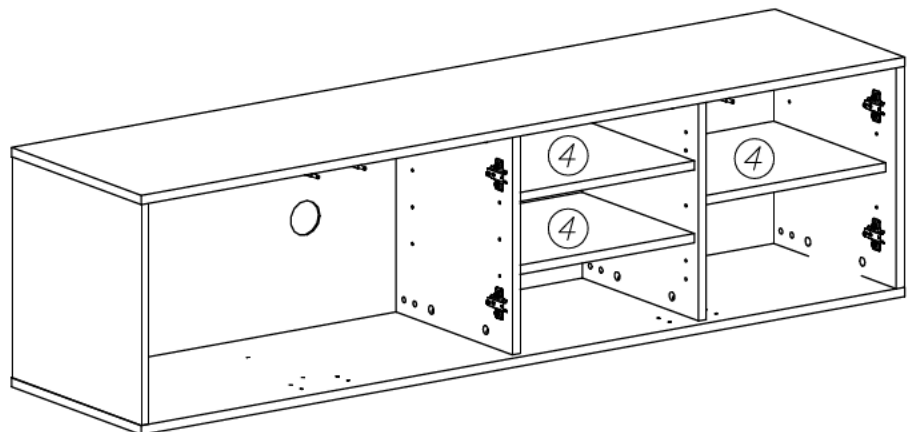
Option A



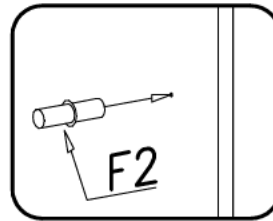
XI



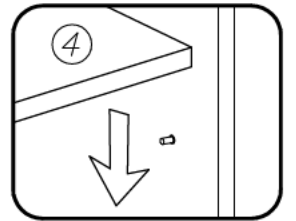
Option B



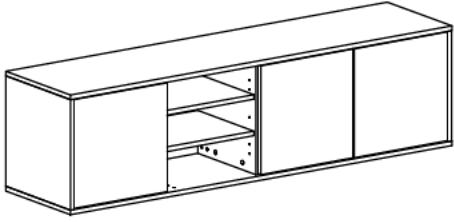
1



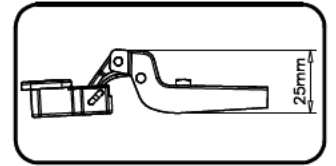
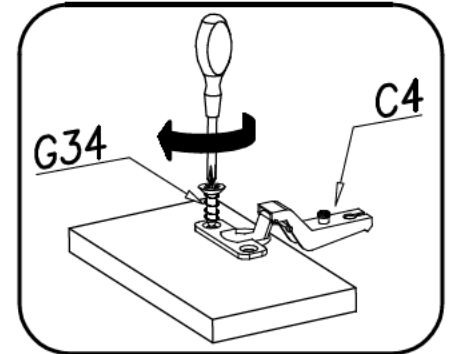
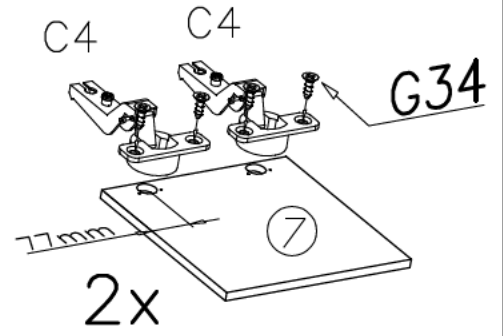
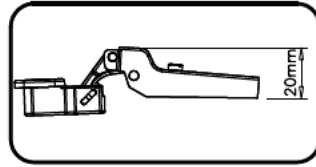
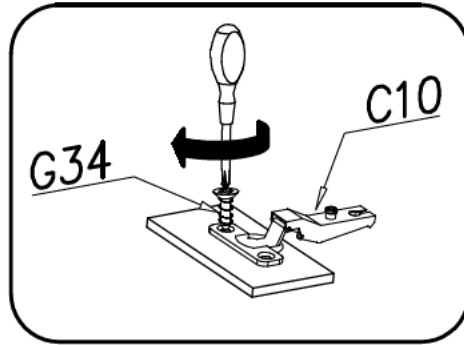
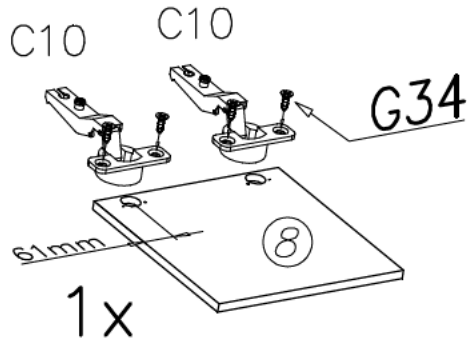
2



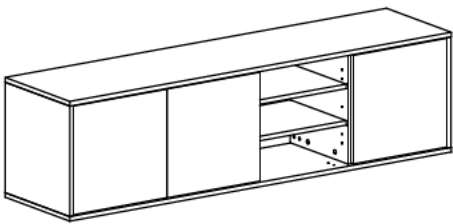
XII



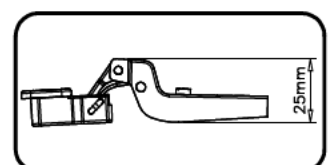
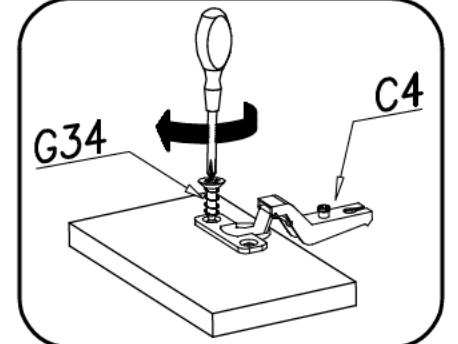
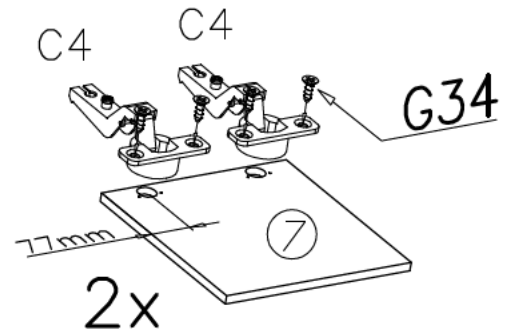
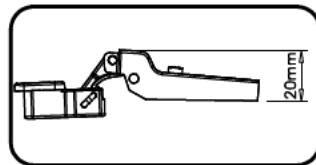
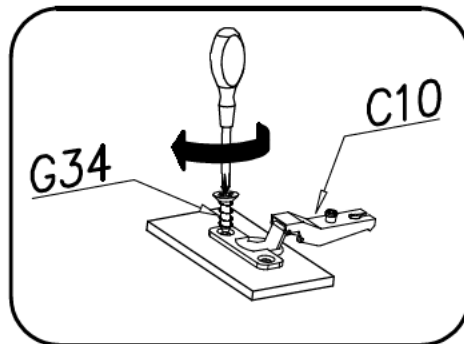
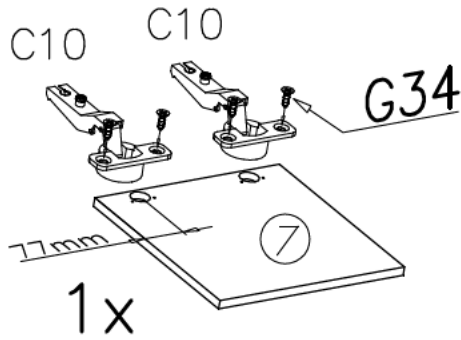
Option A



XII

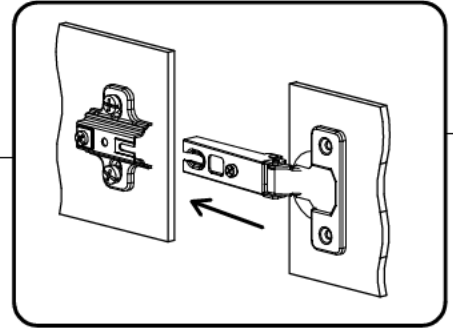
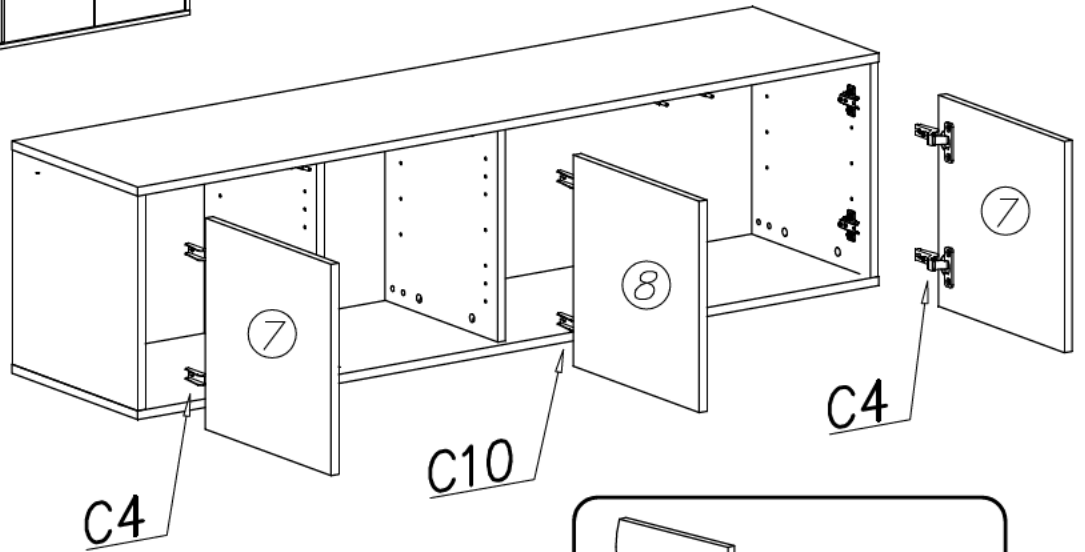
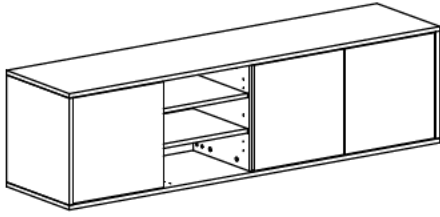


Option B

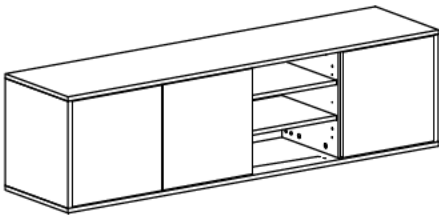


XIII

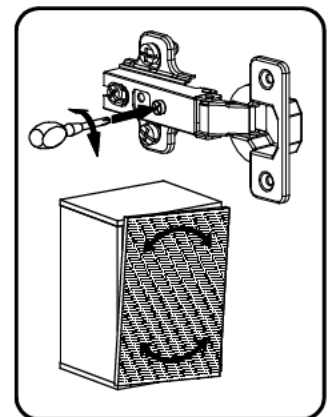
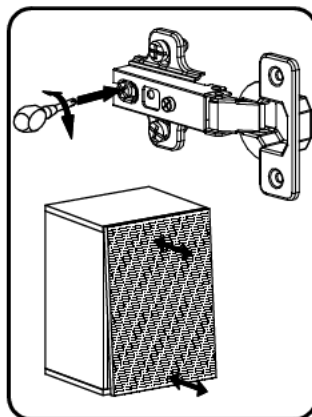
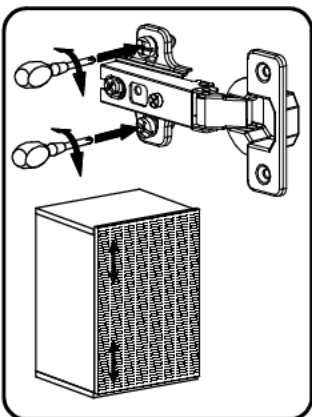
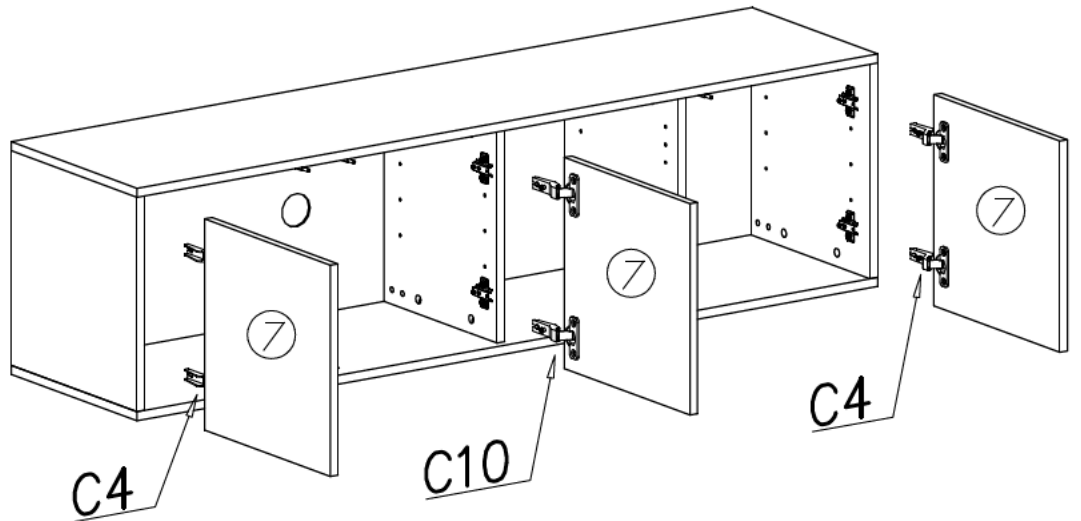
Option A



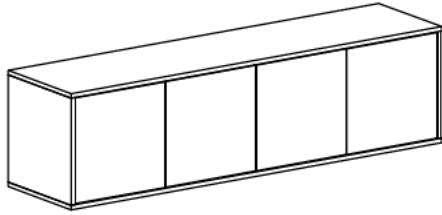
XIII



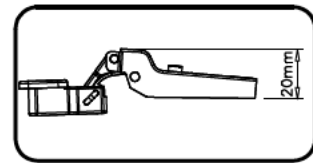
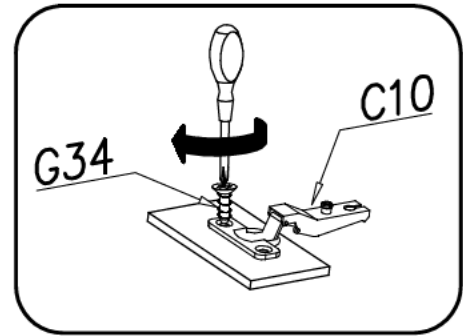
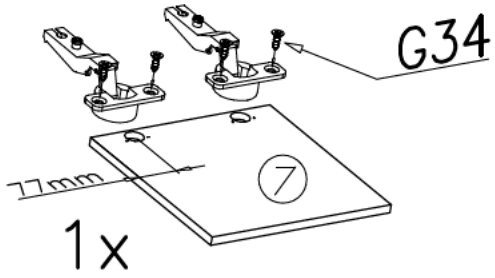
Option B



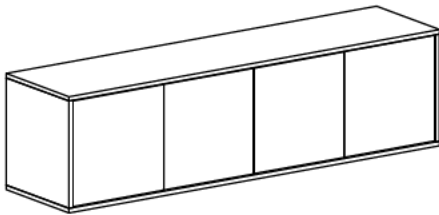
XIV



Option C



XV



Option C

