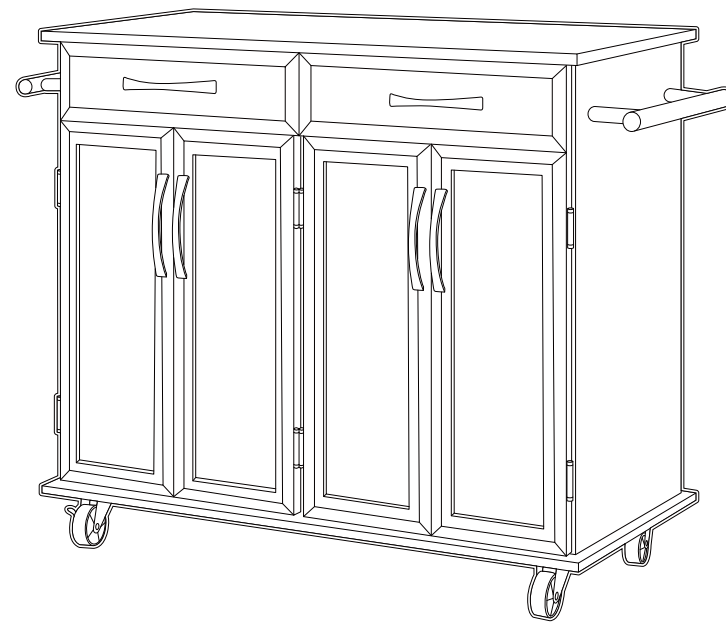


285x210mm

Assembly Instructions



PRODUCT ASSEMBLY

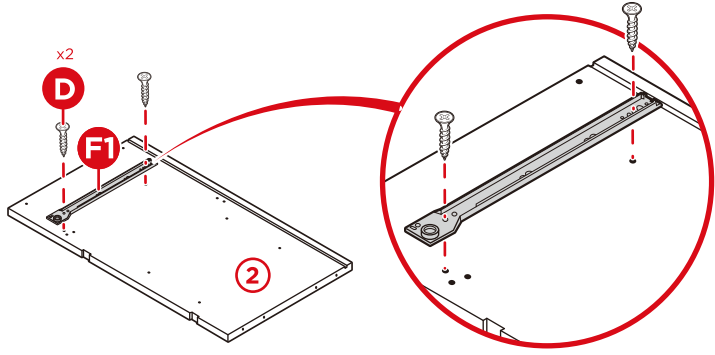
A M6 x 35mm CAM BOLT 30 PCS	B M10 x 15mm CAM LOCK 30 PCS	C M6 x 30mm DOWEL 12 PCS	D M3 x 12mm SCREW 52 PCS	E M4 x 30mm SCREW 8 PCS
F SLIDER (L/R) F2 2 SETS	G HANDLE 6 PCS	H M4 x 20mm SCREW 12 PCS	I 4 x 35mm SCREW 6 PCS	J LOCKING CASTER 4 PCS
K M4 x 12mm SCREW 16 PCS	L M4 x 35mm SCREW 4 PCS	M HINGE 8 PCS	N METAL PLATE 4 PCS	O PEG 8 PCS
P MAGNET 2 PCS	Q M3 x 14mm SCREW 4 PCS			

PRODUCT ASSEMBLY

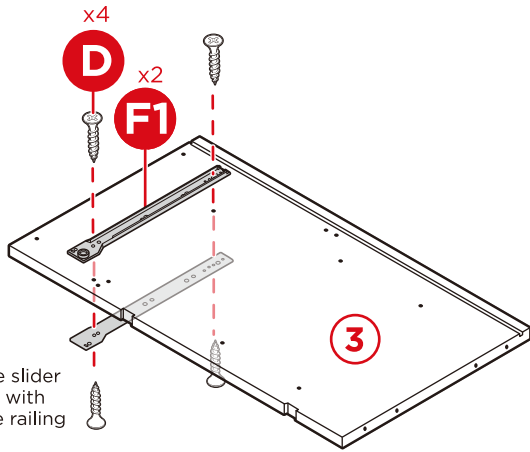
1 TABLETOP 1 PC	2 LEFT SIDE 1 PC	3 CENTER 1 PC	4 RIGHT SIDE 1 PC
5 BOTTOM 1 PC	6 DRAWER SUPPORT 2 PCS	7 MIDDLE DIVIDER 2 PCS	8 SHELF 2 PCS
9 BACK 2 PCS	10 DRAWER BOTTOM 2 PCS	11 FRONT PANEL 2 PCS	12 LEFT PANEL 2 PCS
13 RIGHT PANEL 2 PCS	14 BACK PANEL 2 PCS	15 LEFT DOOR 2 PCS	16 RIGHT DOOR 2 PCS
17 TOWEL RACK 2 PCS			

PRODUCT ASSEMBLY

1 Attach a F1 railing from a part F slider set to the part 2 left side with two part D screws.



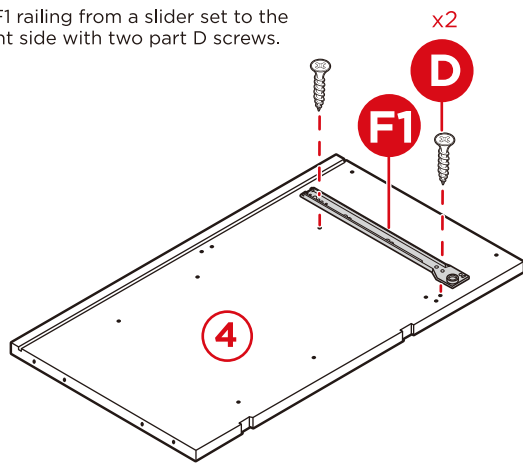
2



Attach two F1 railings from the slider sets to the part 3 center piece with four part D screws. Attach one railing on each side.

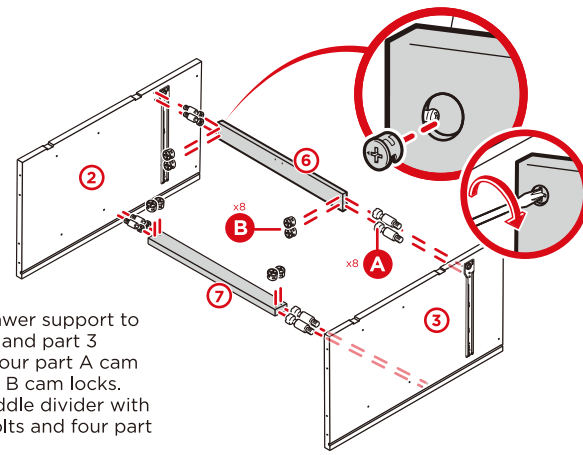
3

Attach a F1 railing from a slider set to the part 4 right side with two part D screws.



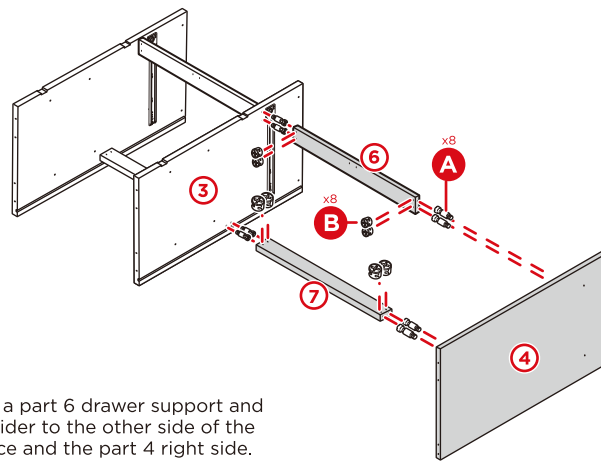
PRODUCT ASSEMBLY

4



Attach a part 6 drawer support to the part 2 left side and part 3 center piece with four part A cam bolts and four part B cam locks. Attach a part 7 middle divider with four part A cam bolts and four part B cam locks.

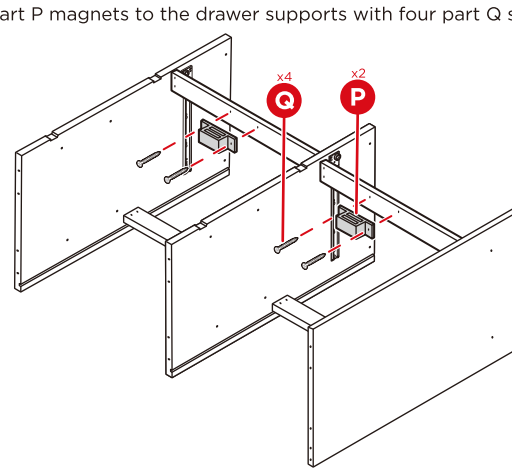
5



Repeat to attach a part 6 drawer support and part 7 middle divider to the other side of the part 3 center piece and the part 4 right side.

6

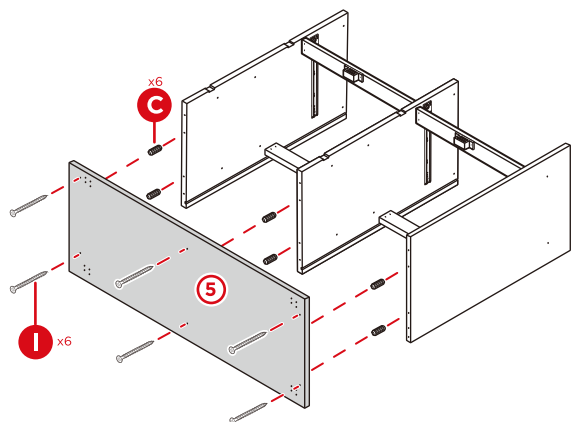
Attach two part P magnets to the drawer supports with four part Q screws.



PRODUCT ASSEMBLY

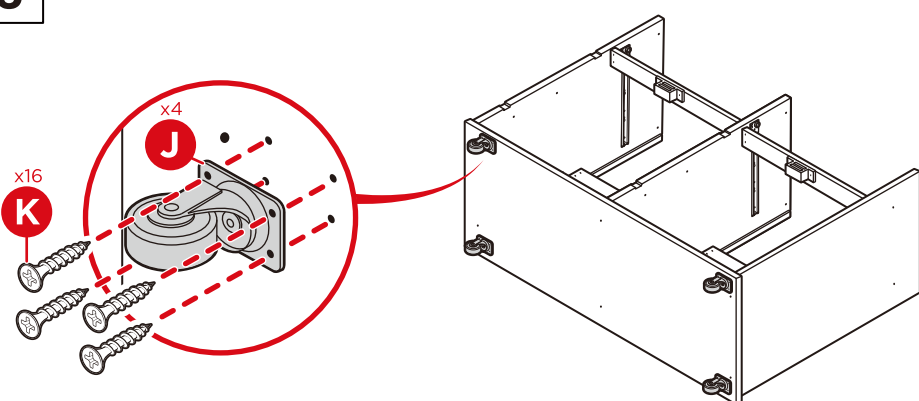
7

Attach the part 5 bottom piece with six part I screws and six part C dowels.



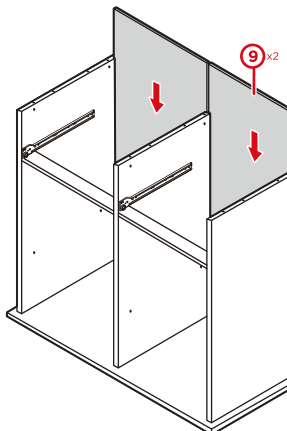
8

Attach four part J casters with sixteen part K screws, four screws per caster.



9

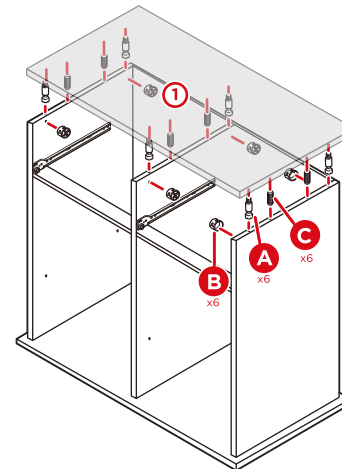
Stand the cart upright and slide in two part 9 back pieces.



PRODUCT ASSEMBLY

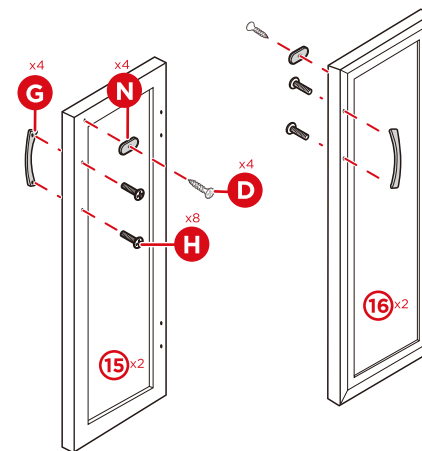
10

Attach the part 1 tabletop with six part A cam bolts, six part C dowels, and six part B cam locks. Turn the cam locks to secure the tabletop.



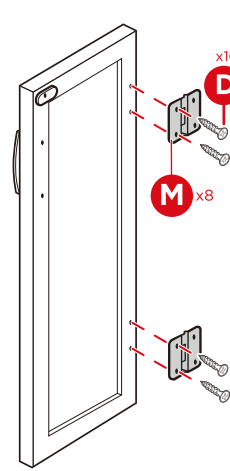
11

Attach a part G handle to a part 15 left door with two part H screws. Attach a part N metal plate with a part D screw. Repeat to attach handles/metal plates to another part 15 left door and two part 16 right doors.

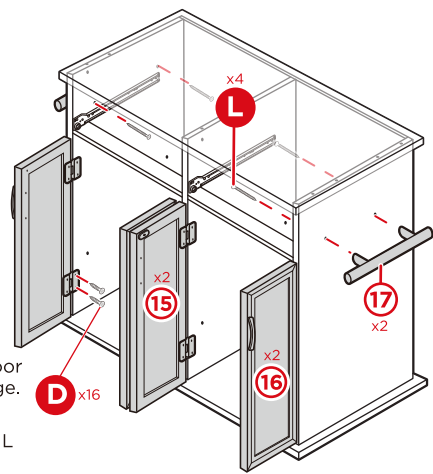


12

Attach eight part M hinges to left/right doors with sixteen part D screws, two screws per hinge.



13

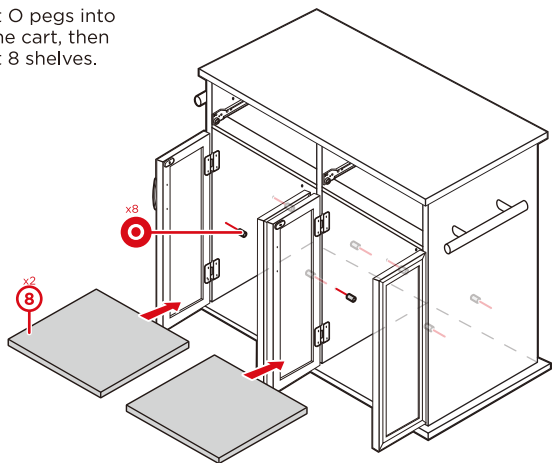


Attach a part 15 left door and part 16 right door with eight part D screws, two screws per hinge. Repeat to attach the other set of doors.

Attach two part 17 towel racks with four part L screws, two screws per rack.

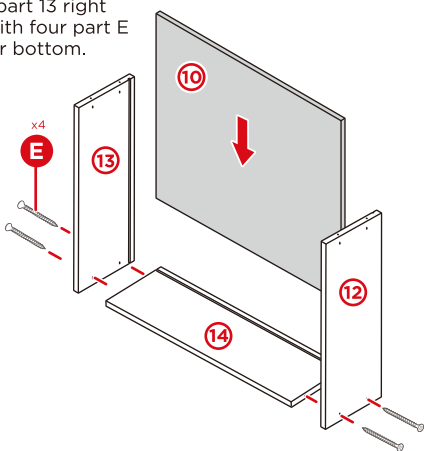
14

Insert eight part O pegs into the interior of the cart, then slide in two part 8 shelves.

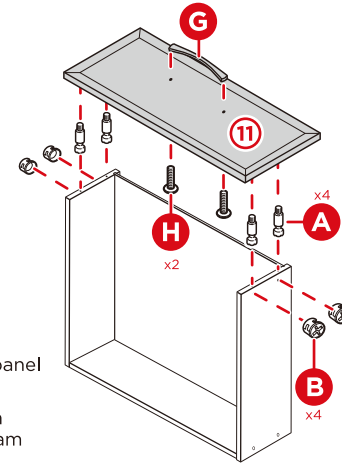


15

Attach a part 12 left panel and part 13 right panel to a part 14 back panel with four part E screws. Slide in a part 10 drawer bottom.



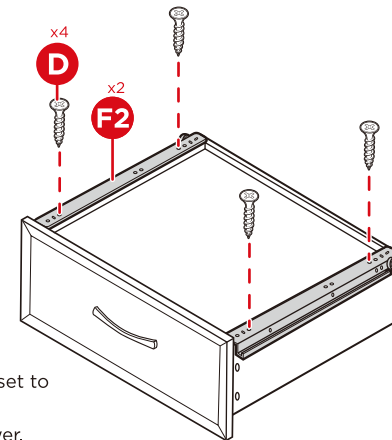
16



Attach a part G handle to the part 11 front panel with two part H screws.

Attach the front panel with four part A cam bolts and four part B cam locks. Turn the cam locks to secure the front panel.

17



Attach two F2 railings from a part F slider set to the drawer with four part D screws.

Repeat steps 15 to 17 to build another drawer.

18

Insert the drawers by lining up the railings on the slider sets.

