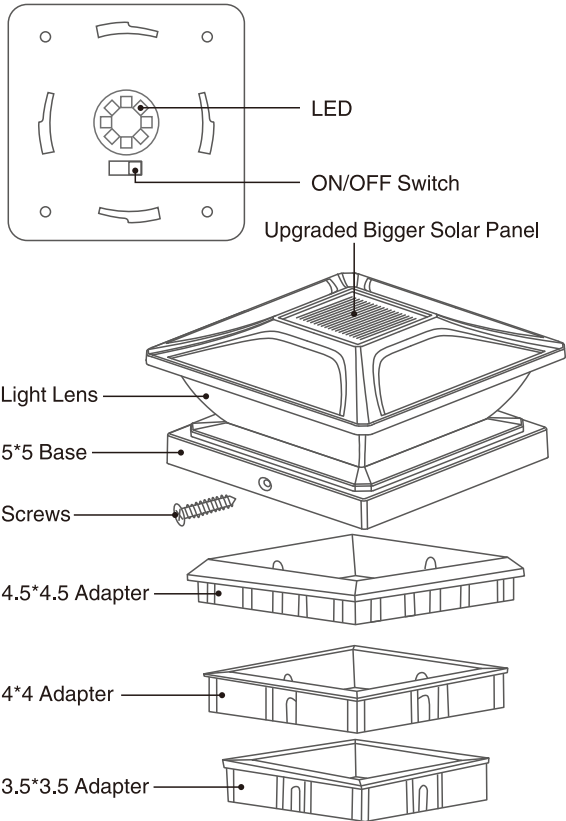


PRODUCT STRUCTURE



PRODUCT SPECIFICATION

Material	ABS + Plastic
Power Source	100% Solar-powered
Two Lighting Modes	Warm White/ Cool White
Waterproof Level	IP65
Battery	1.2V NI-MH AA
Operation Temperature	-25°C ~ 65°C
Suitable For	4 Inch Vinyl Post (True Size: 4"x 4") 5 Inch Wooden Post (True Size: 4.5"x 4.5") 5 Inch Vinyl Post (True Size: 5"X5") 4 Inch Wooden Post (True Size: 3.5"X 3.5")

NOTES

1. Make sure the switch is on before using, or the solar post lights won't light or charge.
2. As the charging effect of the solar panel is depended on the sunlight, the LED light time is affected by weather, seasons, places, etc.
3. Please cover the solar panel if you want it light up at daylight.
4. Fully charged the solar panel under sunlight for 12 hours at the first time use.
5. Please keep the panel clean and put it directly in the sun to get enough solar energy to charge.

TROUBLESHOOTING

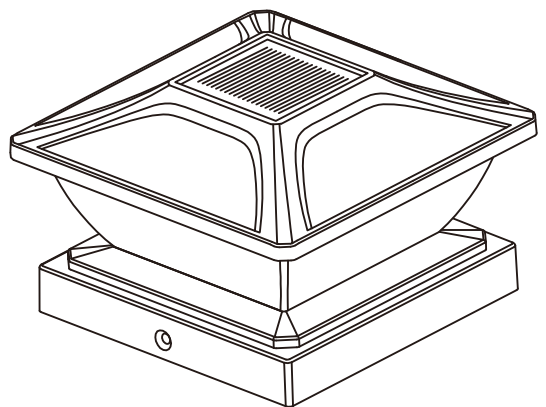
1. If the light does not turn on at dusk after 24 hours of charging.
2. Check the batteries to make sure they are making secure contact with the terminal.
3. Be sure the solar fixture is in a relatively sunny location.
4. Make sure the light's photocell is not affected by other lights.

CUSTOMER SERVICE

Any problem please contact us at shenzhenxiaoshenbi@163.com
Our after-sales team will solve your issue within 24 hours.
Thank your for support.

SOLAR POST LIGHTS

MODEL: SP213



IMPORTANT: Please read this manual carefully before beginning of this product. **Keep this manual for future reference.**

USER MANUAL