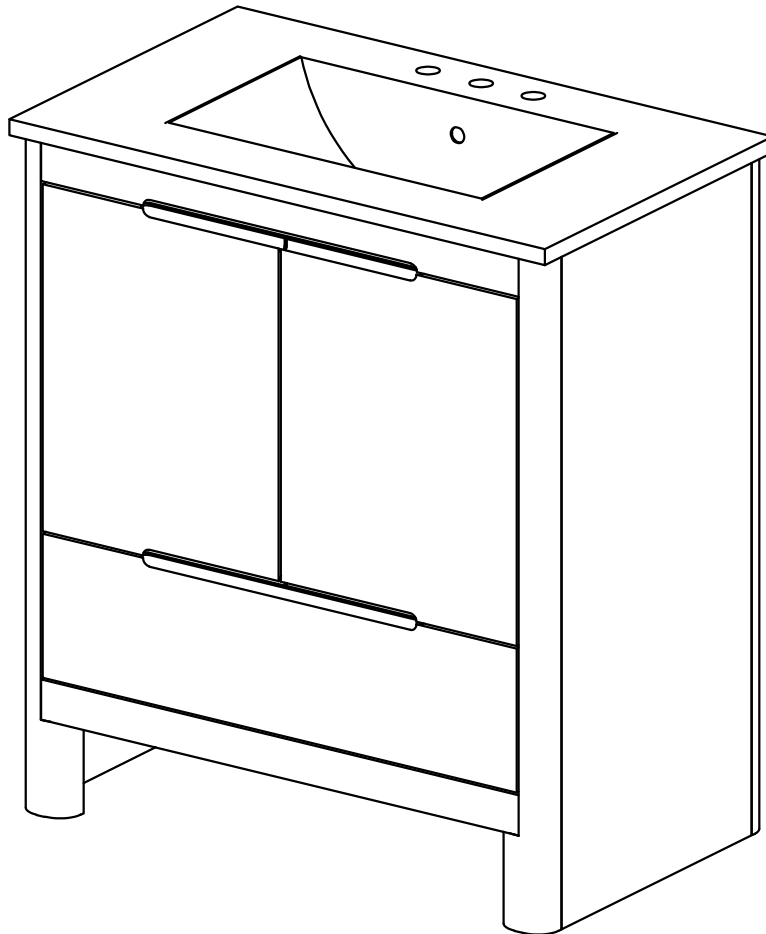


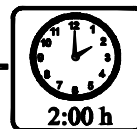
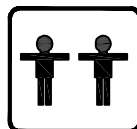
ASSEMBLY INSTRUCTION

Bathroom Vanity

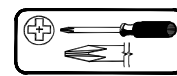


Thank you for purchasing this quality product. Be sure to check all packaging material carefully for small parts which may have come loose inside the carton during shipment. Separate, identify and count all parts and hardware. Compare with the parts list to be sure all parts are present.
"DO NOT TIGHTEN SCREWS UNTIL COMPLETELY ASSEMBLED"

- Use of power tool to assemble this product will invalidate any claim and damage this product making unsafe !!!
- Please assemble on a clean soft surface to avoid damage.



Tools Required

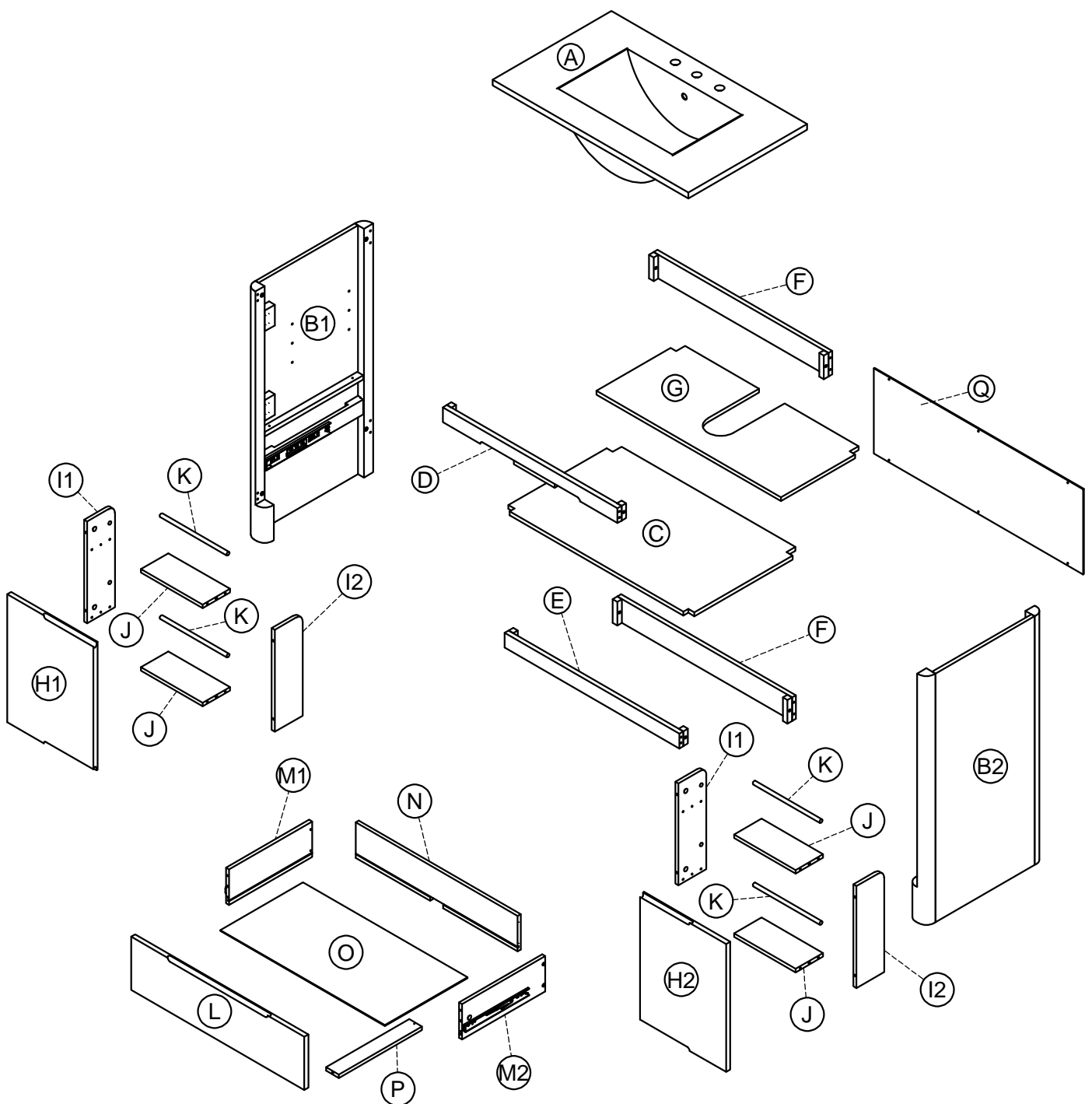


(Not included)

IMPORTANT:

PLEASE READ INSTRUCTION BEFORE STARTING THE ASSEMBLY

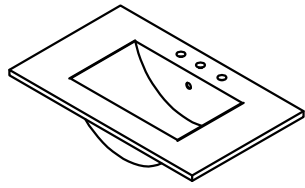
ASSEMBLY INSTRUCTION



Identifying the Hardware - Identify the hardware using the illustrations be low

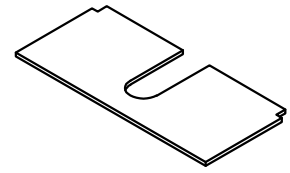
PACKAGE CONTENTS

Ⓐ x 1



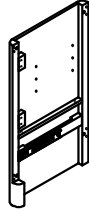
Sink

Ⓖ x 1



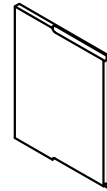
Adjustable shelf

Ⓑ1 x 1



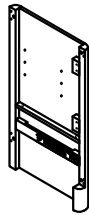
Left Side Board

Ⓗ1 x 1



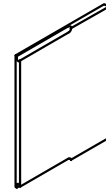
Left Side Door

Ⓑ2 x 1



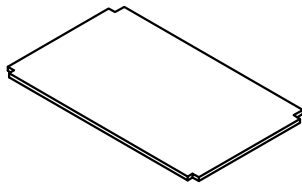
Right Side Board

Ⓗ2 x 1



Right Side Door

Ⓒ x 1



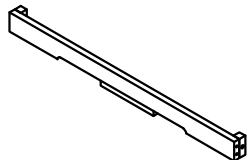
Middle Panel

Ⓘ1 x 2



Left Side Panel of Door Shelf

Ⓓ x 1



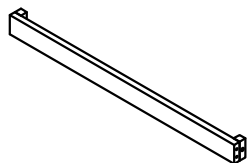
Upper Front Bar

Ⓘ2 x 2



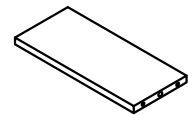
Right Side Panel of Door Shelf

Ⓔ x 1



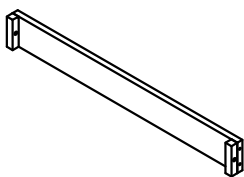
Lower Front Bar

Ⓙ x 4



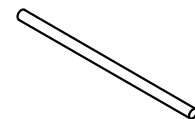
Bottom Panel of Door Shelf

Ⓛ x 2



Back Bar

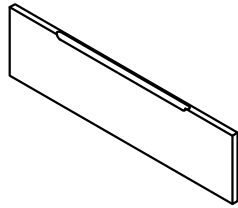
Ⓚ x 4



Bar of Door Shelf

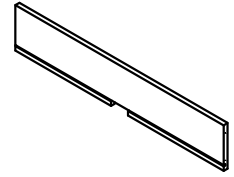
PACKAGE CONTENTS

Ⓛ x 1



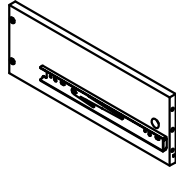
Drawer Front Panel

Ⓝ x 1



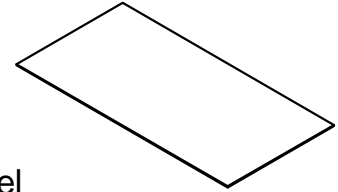
Drawer Back Side Panel

Ⓜ1 x 1



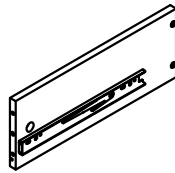
Drawer Left Side Panel

Ⓞ x 1



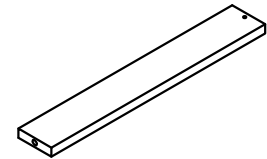
Drawer Bottom Panel

Ⓜ2 x 1



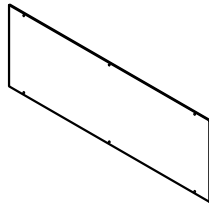
Drawer Right Side Panel

Ⓟ x 1


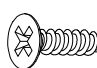

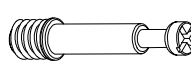
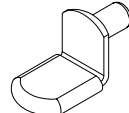
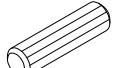
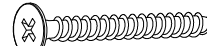




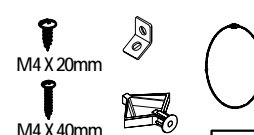


Drawer Support Bar

Ⓠ x 1



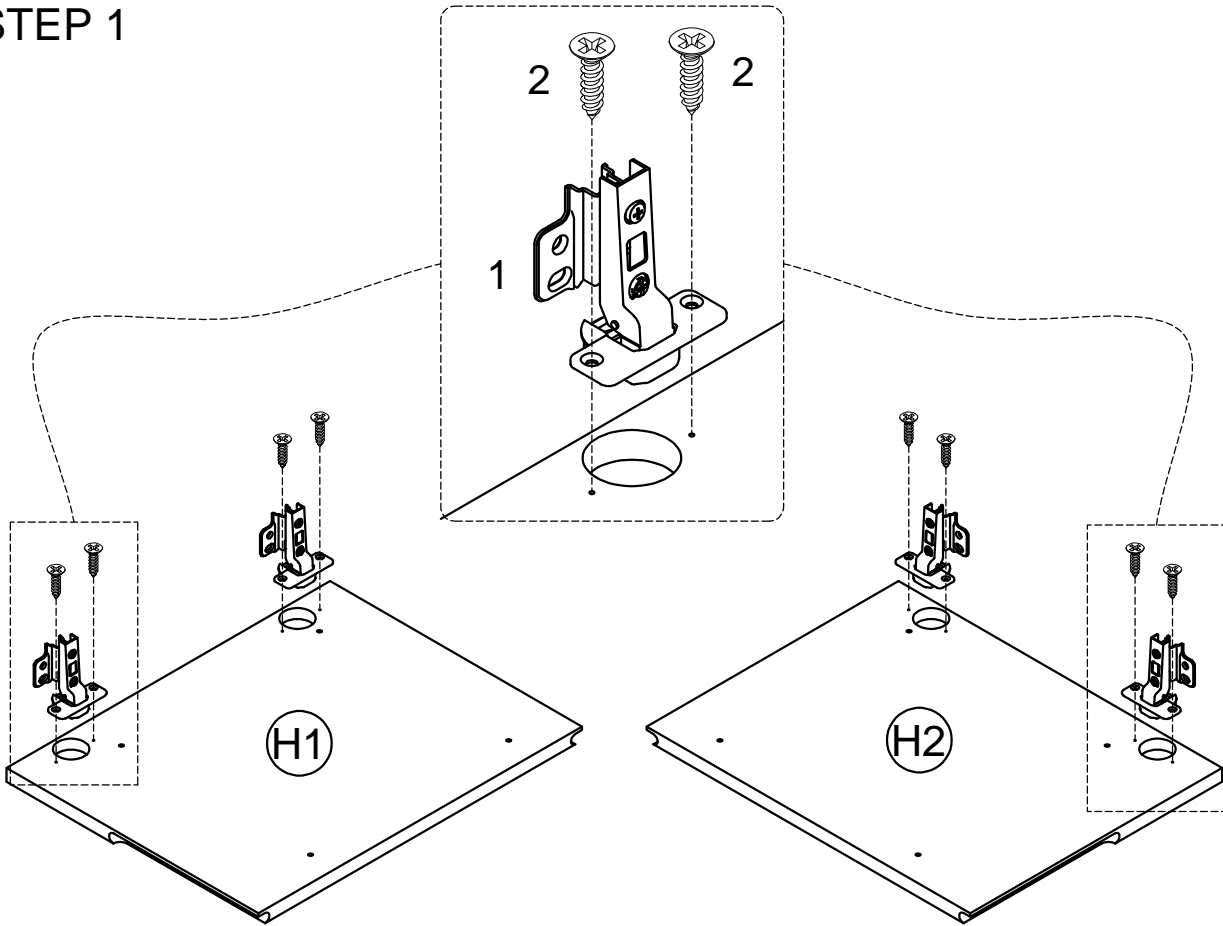
Back Panel



<p>1</p>  <p>Hinge</p> <p>4PCS</p>	<p>2</p>  <p>Ø4x15mm</p> <p>25PCS</p>	<p>3</p>  <p>Ø15x9mm</p> <p>20PCS</p>	<p>4</p>  <p>Ø6 x35 mm</p> <p>20PCS</p>
<p>5</p>  <p>5PCS</p>	<p>6</p>  <p>Ø6 x30 mm</p> <p>37PCS</p>	<p>7</p>  <p>Ø4x25mm</p> <p>10PCS</p>	<p>8</p>  <p>M6x35mm</p> <p>9PCS</p>
<p>9</p>  <p>Ø6x16mm</p> <p>9PCS</p>	<p>10</p>  <p>1PC</p>	<p>11</p>  <p>Ø4x15mm</p> <p>7PCS</p>	<p>12</p>  <p>M4 X 20mm M4 X 40mm</p> <p>2 Sets</p>

ASSEMBLY TOOLS REQUIRED
(NOT INCLUDED)

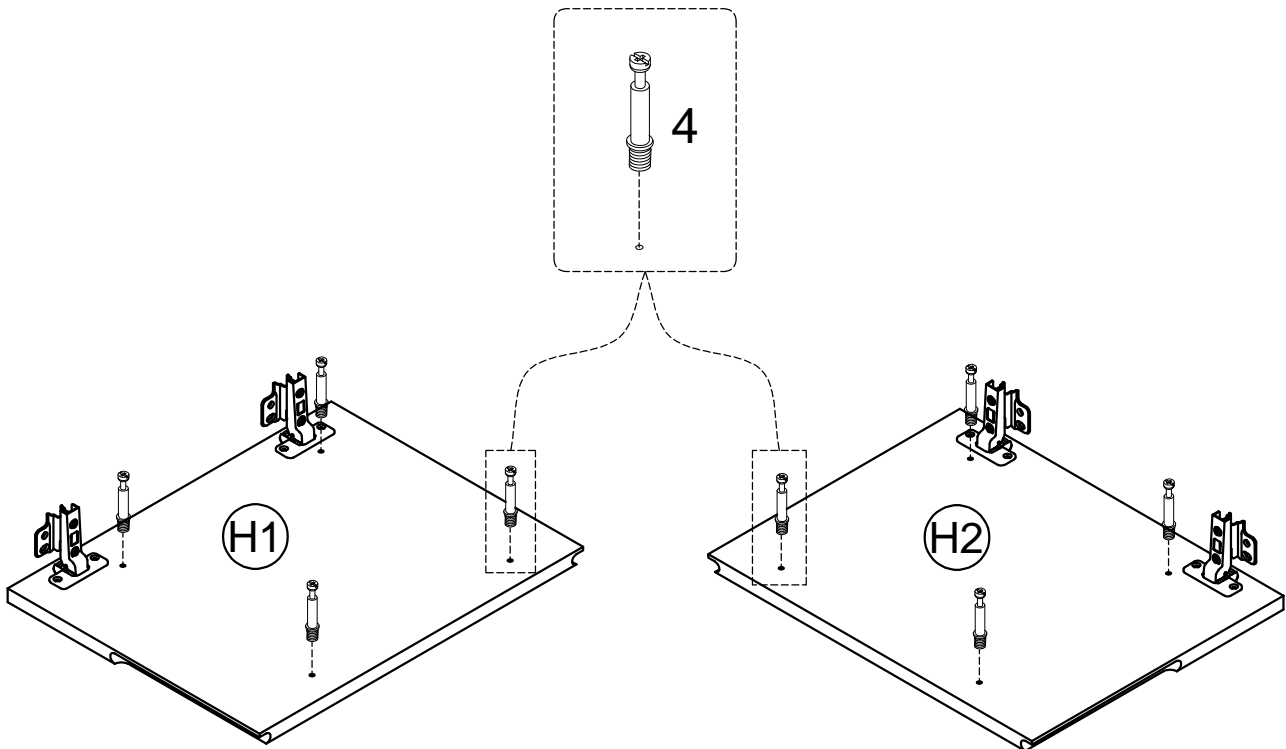


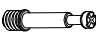
STEP 1



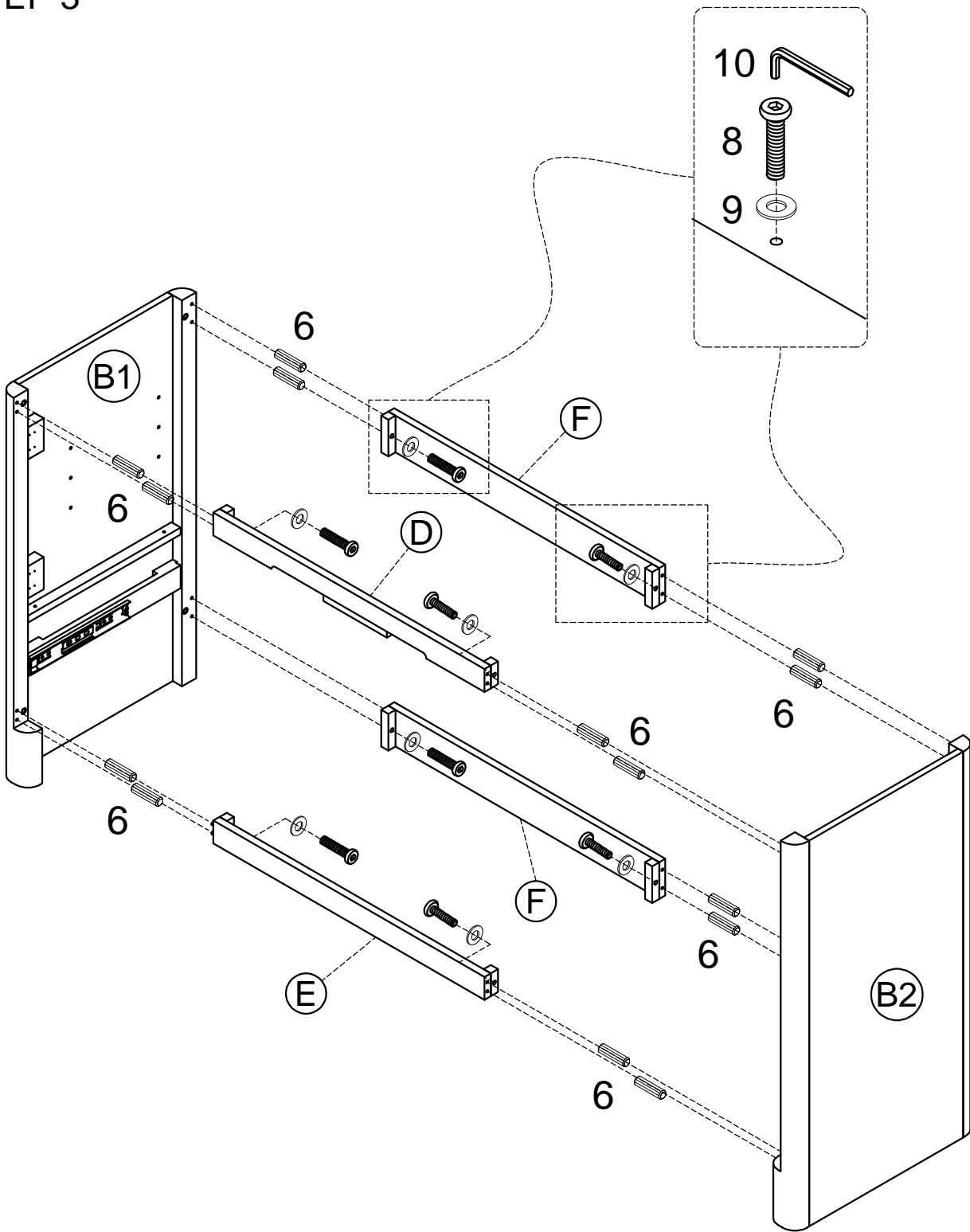
1		4PCS
2		8PCS

STEP 2







4		8PCS
---	---------------------------------------------------------------------------------------	------

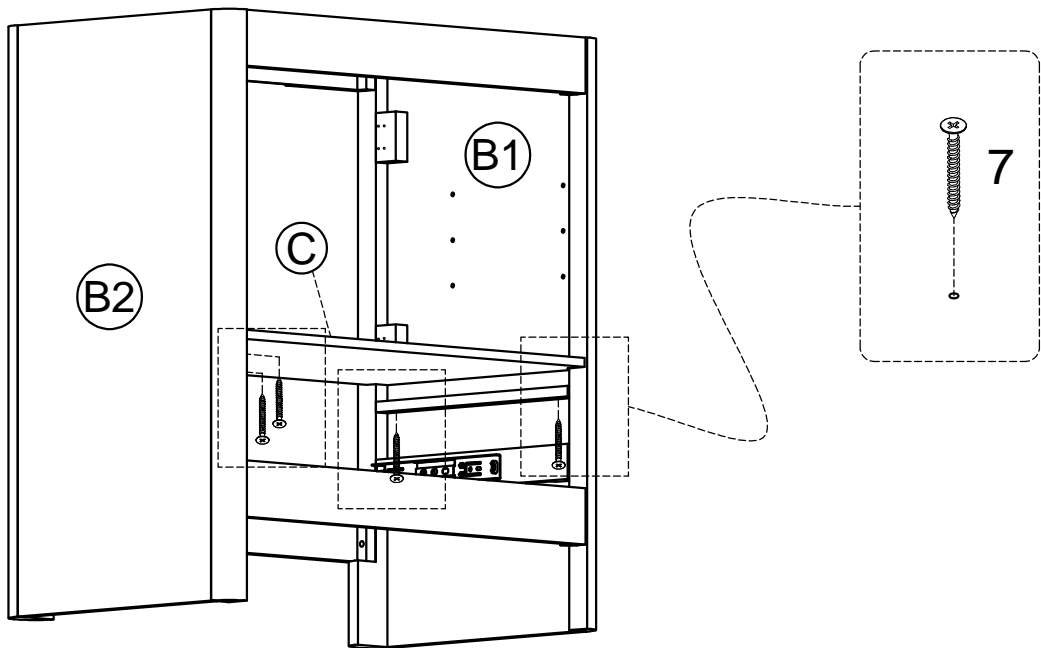
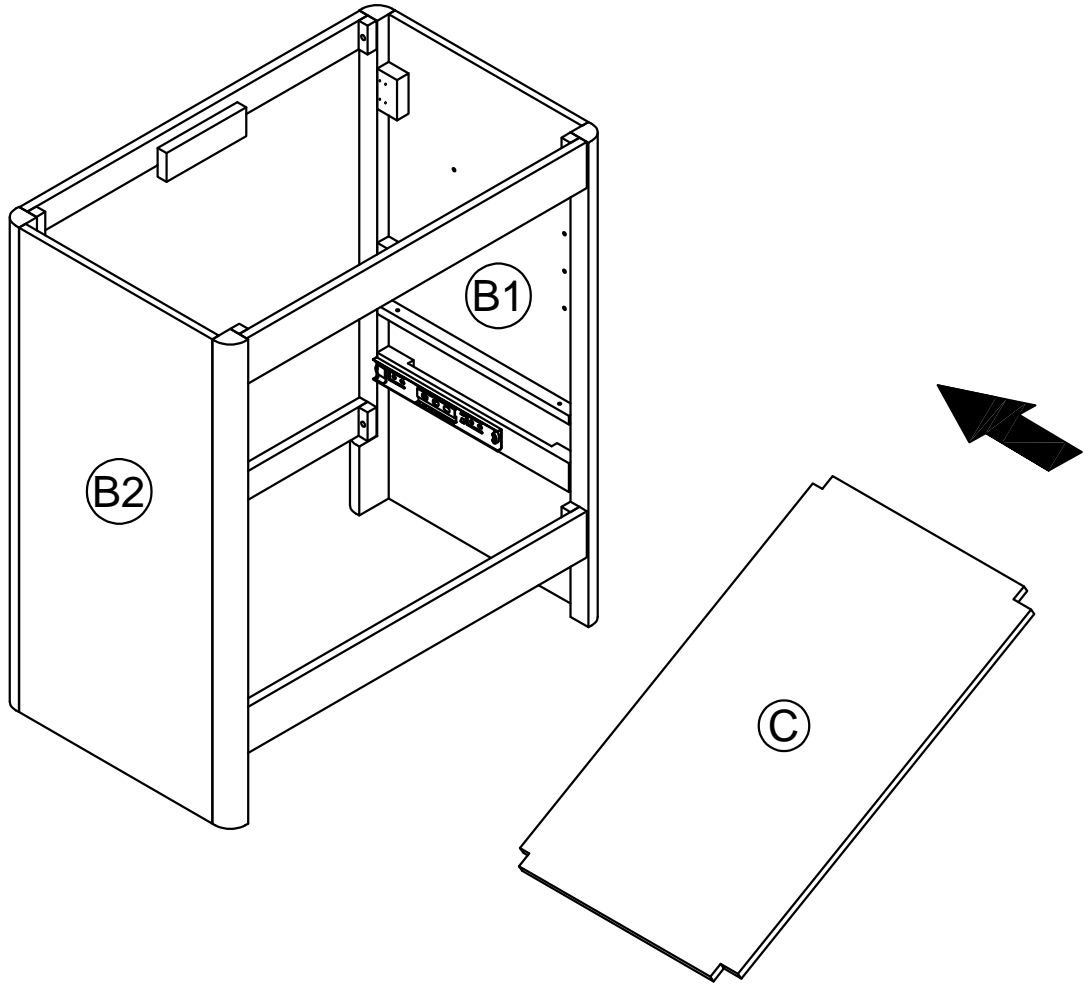
STEP 3



DO NOT TIGHTEN ALL BOLT !

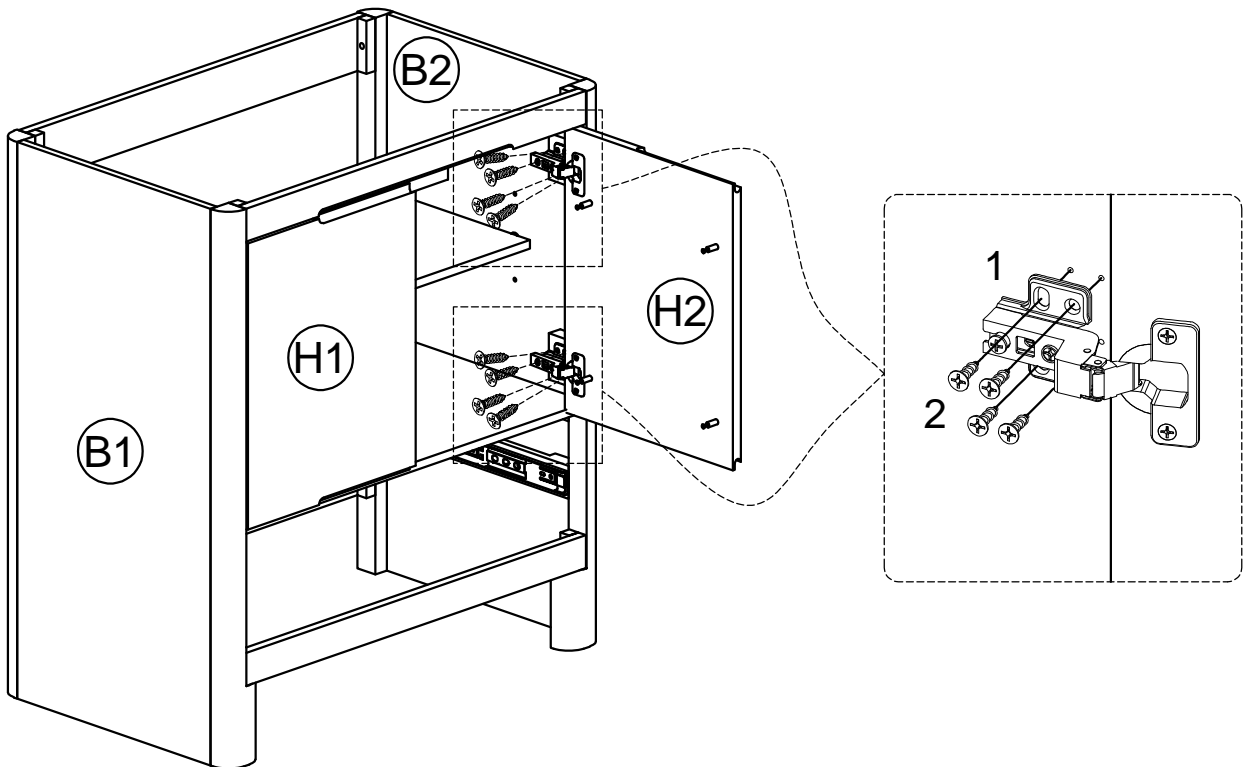
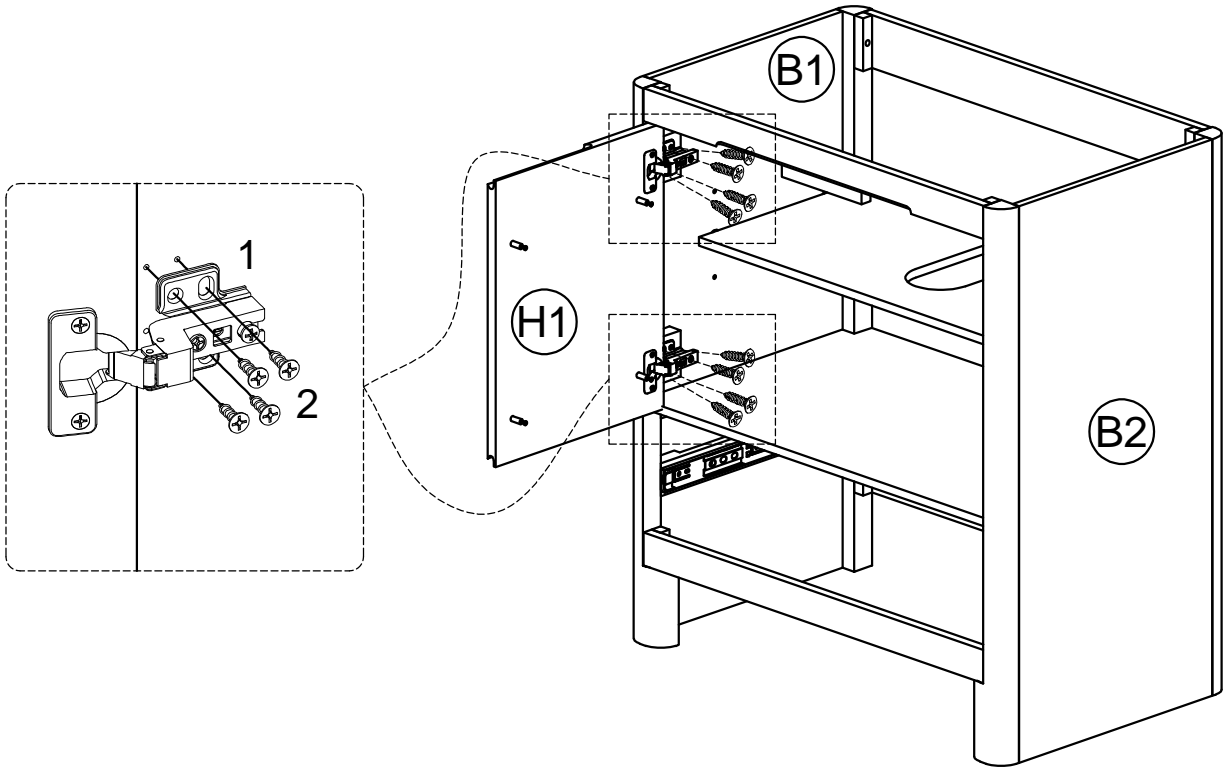
6		16PCS
8		8PCS
9		8PCS
10		1PC

STEP 4

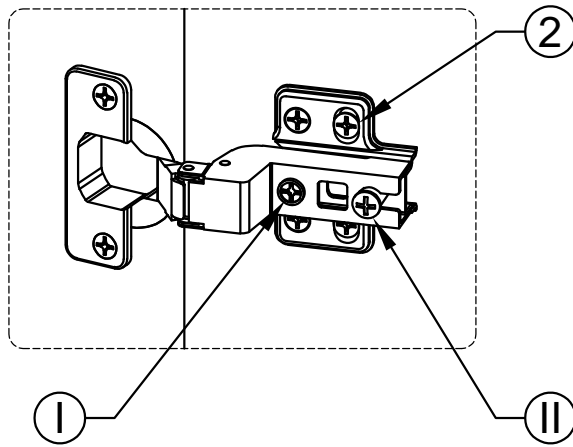


TIGHTEN ALL BOLT !

STEP 5



STEP 6



Tighten the Screw marked ③ to fasten hinge. The door may need to be adjusted so that all the spaces between the door and the unit sides are equal.

To adjust, follow instructions:

1. Side adjustment 4 mm

To move the door towards the side panel, loosen screw ① and tighten screw ③ .

To move the door away from the side panel, loosen screw ③ and tighten screw ① .

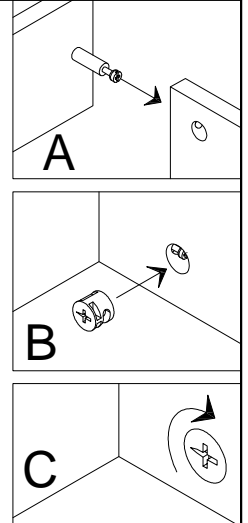
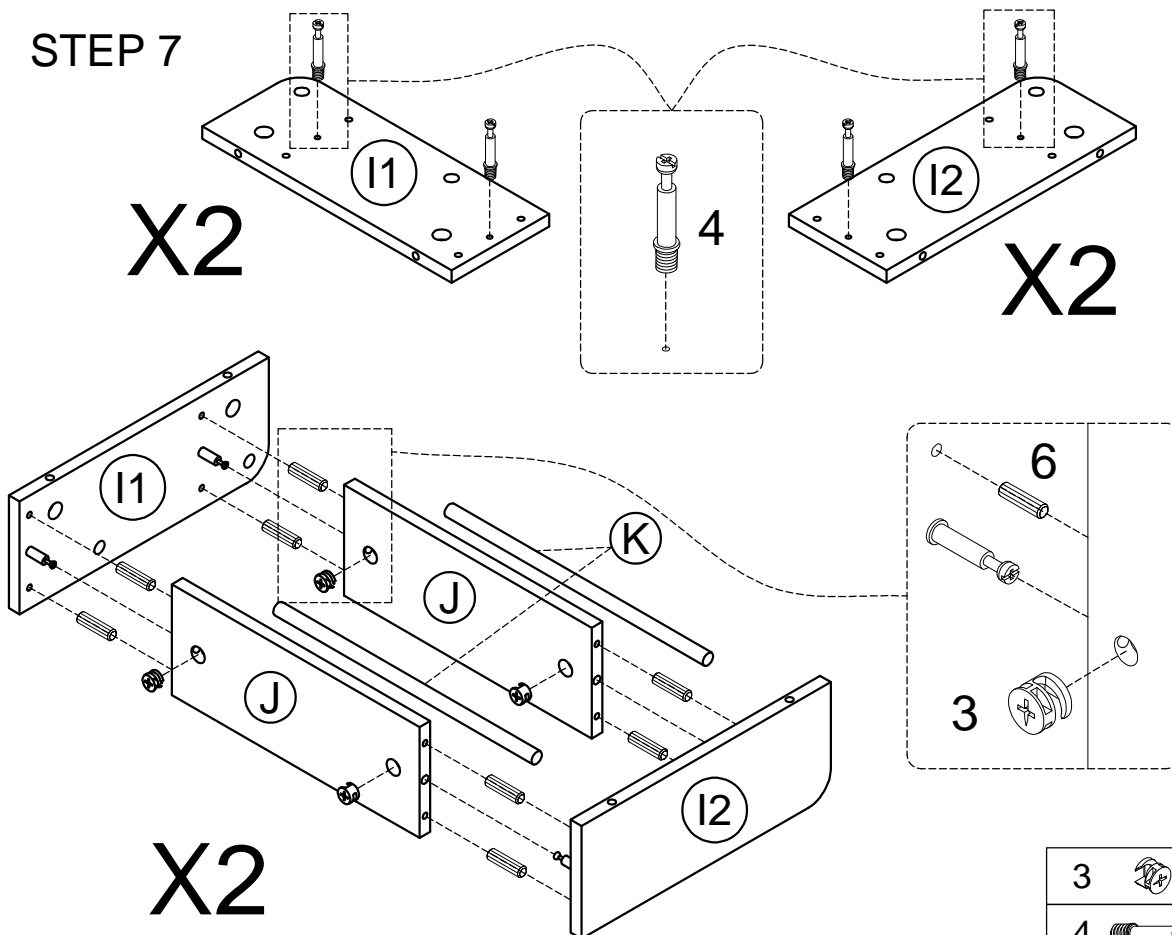
2. Depth adjustment 4 mm

Loosen screw ③ (just one turn), adjust door to desired position, re-tighten screw .

3. Height adjustment

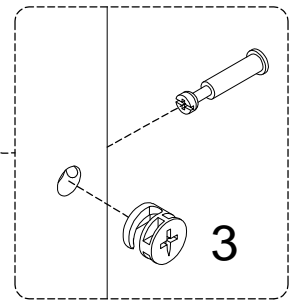
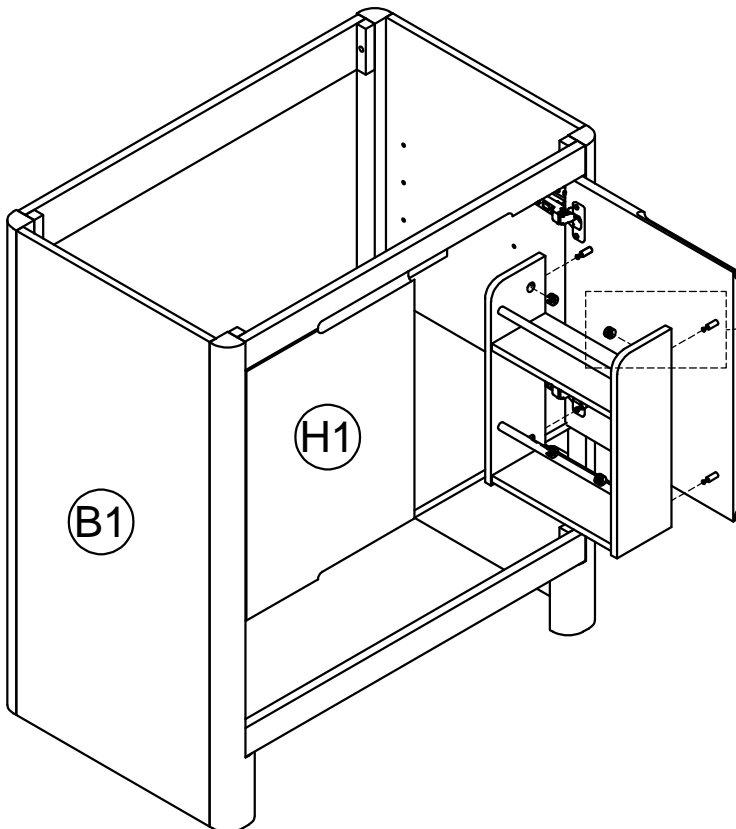
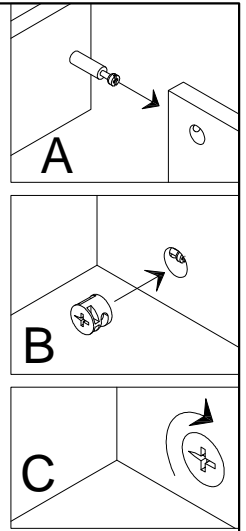
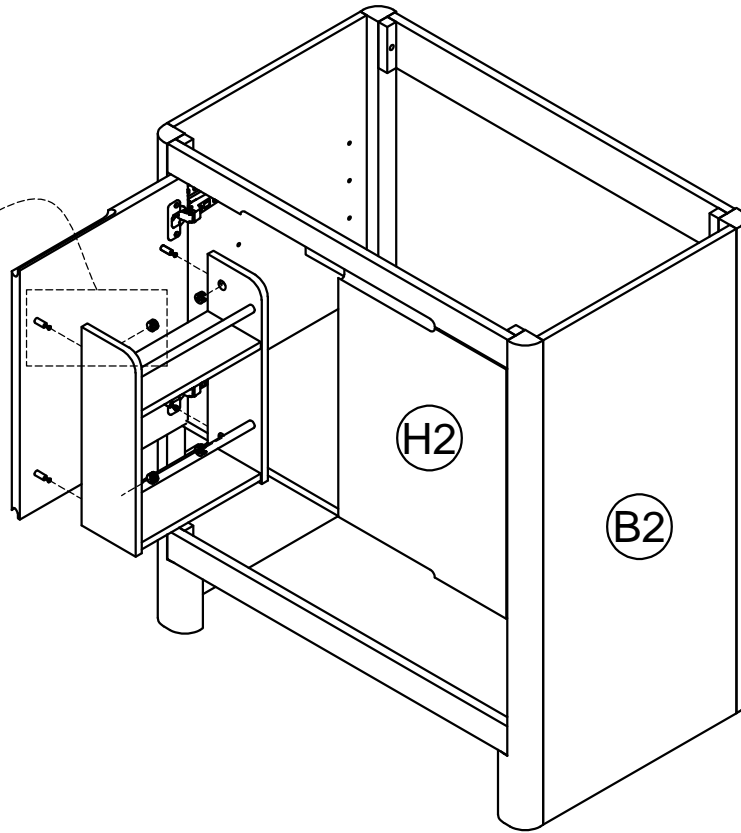
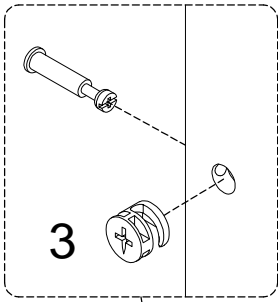
Loosen screw ②, adjust door to desired position, re-tighten screw .

STEP 7

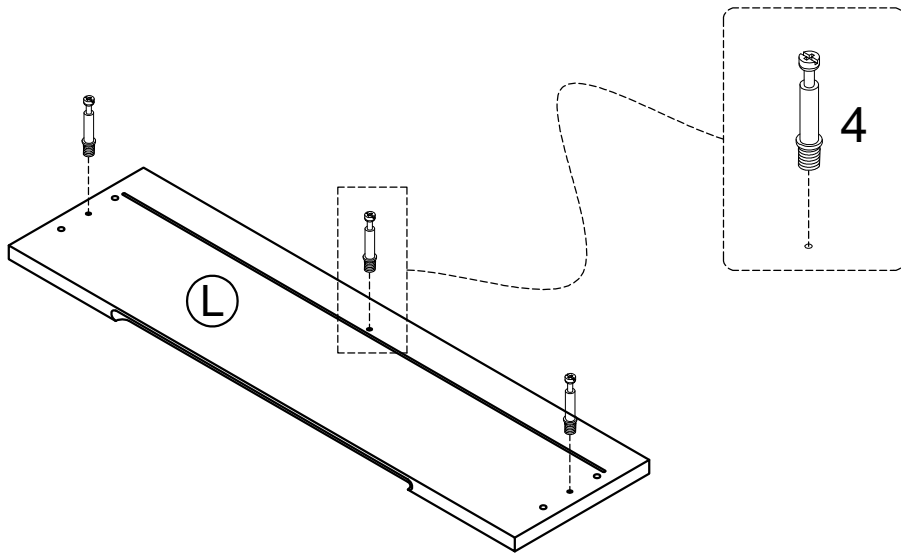



3		8PCS
4		8PCS
6		16PCS

STEP 8

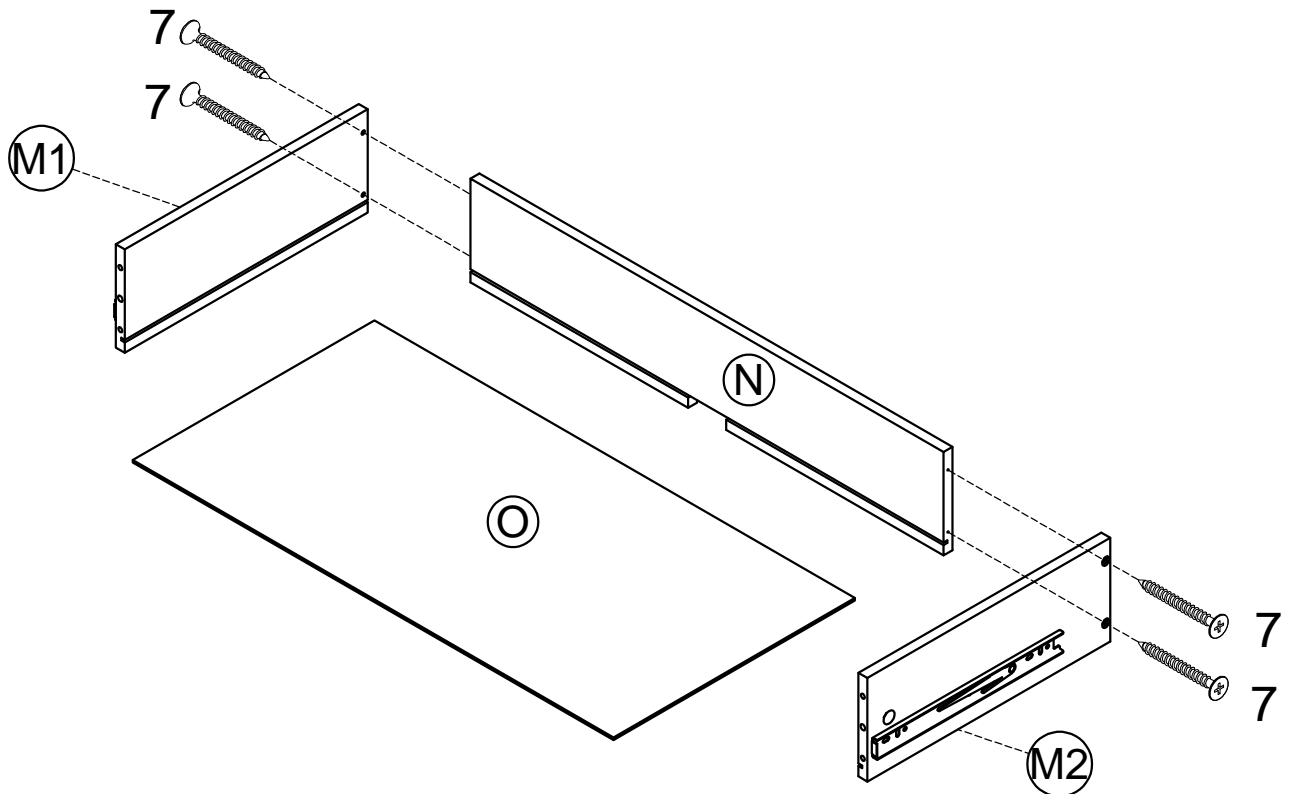



STEP 9



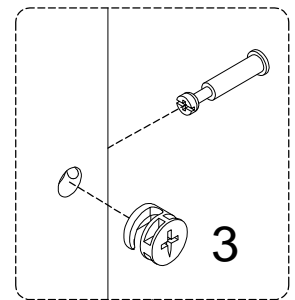
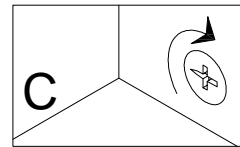
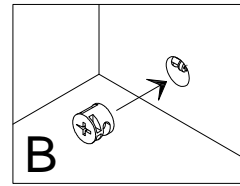
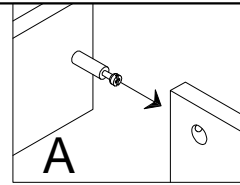
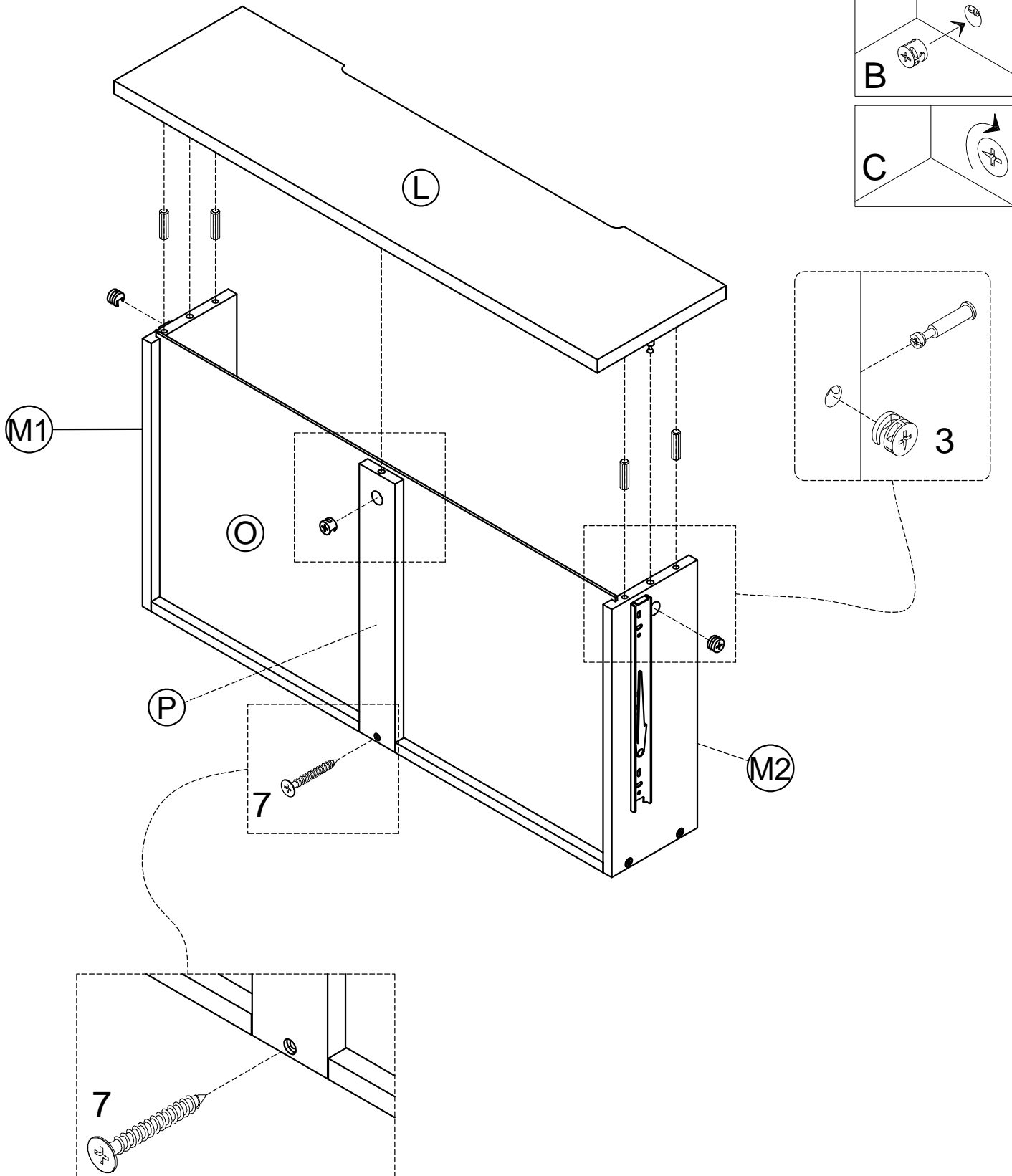
4		3PCS
---	---------------------------------------------------------------------------------------	------

STEP 10



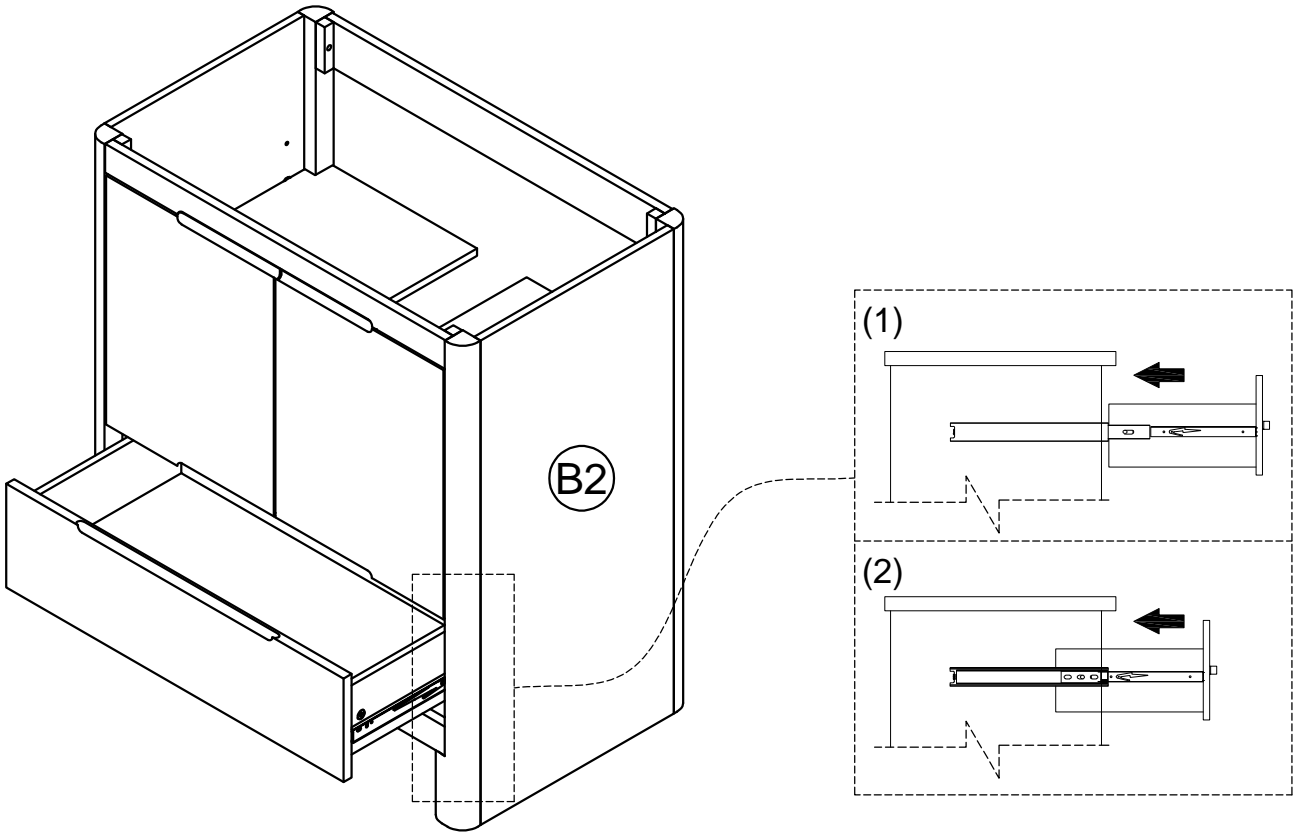
7		4PCS
---	---------------------------------------------------------------------------------------	------

STEP 11

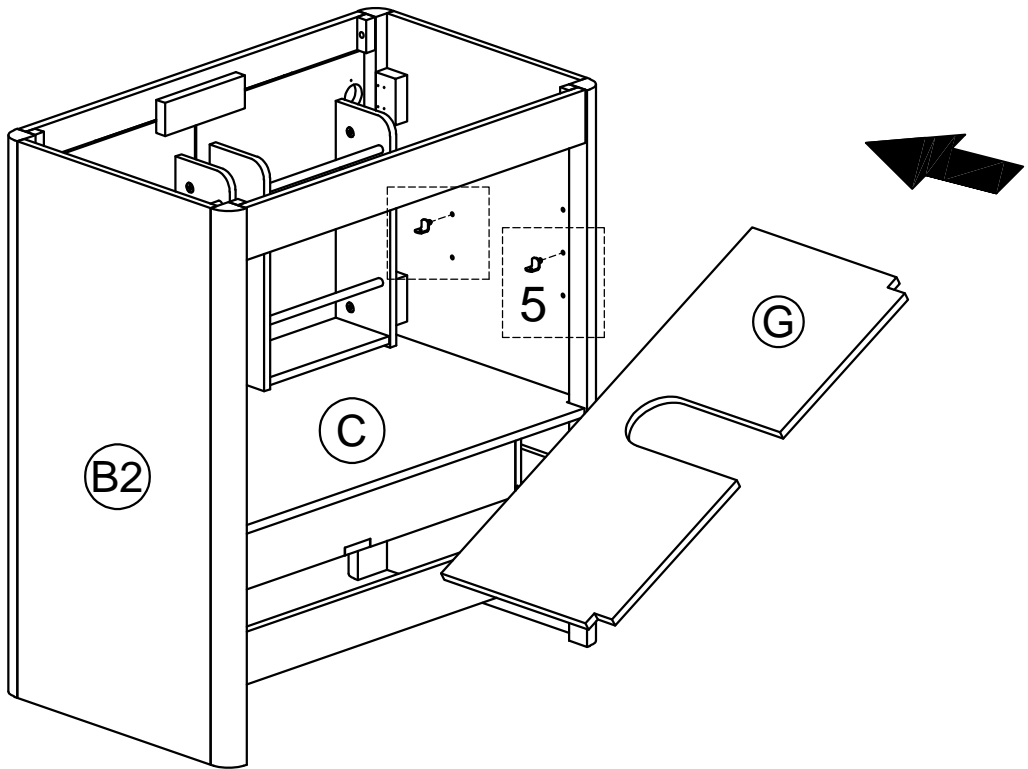


3		3PCS
6		4PCS
7		1PC

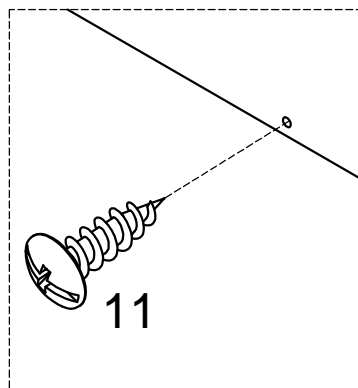
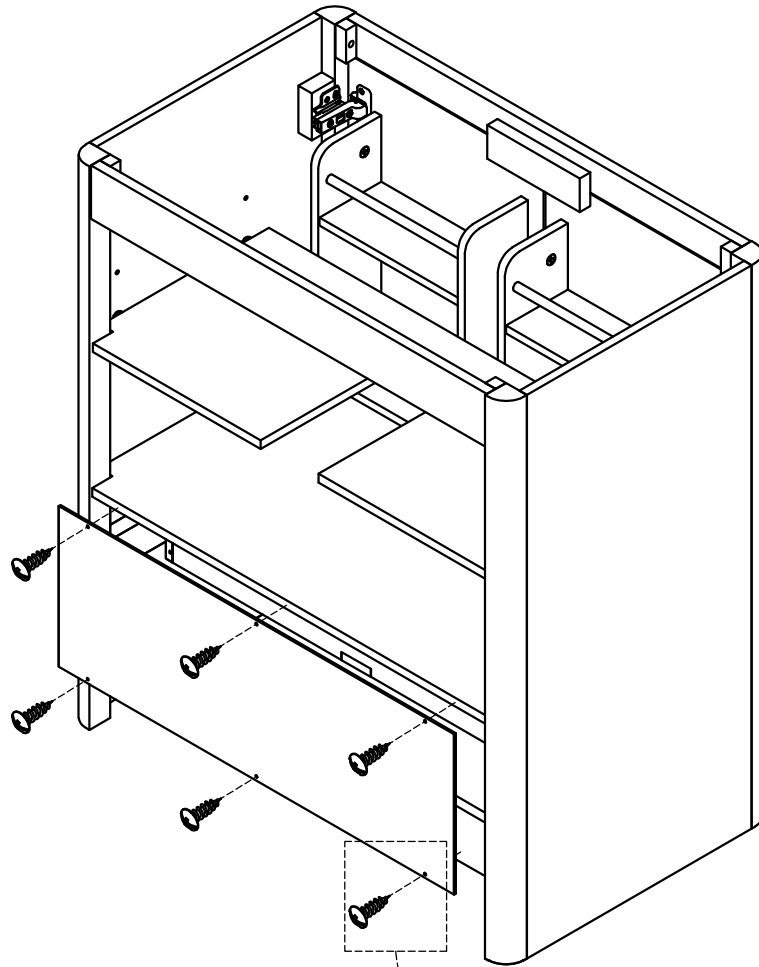
STEP 12



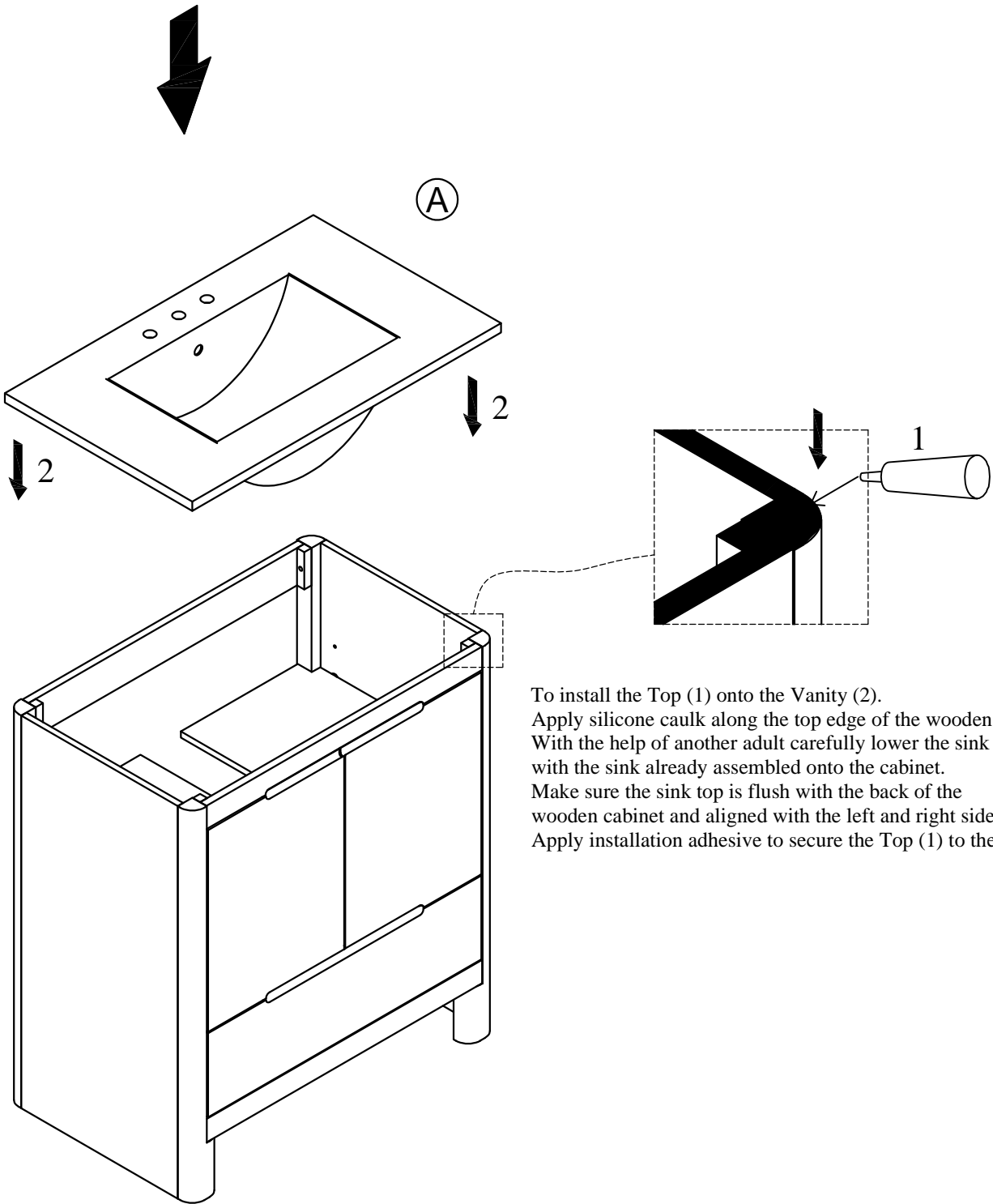
STEP 13



STEP 14



STEP 15



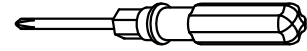
To install the Top (1) onto the Vanity (2).
Apply silicone caulk along the top edge of the wooden cabinet.
With the help of another adult carefully lower the sink top
with the sink already assembled onto the cabinet.
Make sure the sink top is flush with the back of the
wooden cabinet and aligned with the left and right side panels.
Apply installation adhesive to secure the Top (1) to the Vanity (2)



WARNING

Serious or fatal crushing injuries can occur from furniture tip-over.
 If the furniture tip over restraint kit is not in the box, please contact our customer service department in order to obtain another kit before using the furniture.

A1		4	D1		2
B1	 M4 X 20mm	2			
C1	 M4 X 40mm	2	E1		2



NOTE: The screwdriver is not included in the hardware pack.

It can be attached with a wall plug or not, depending on the wall's hardness.

