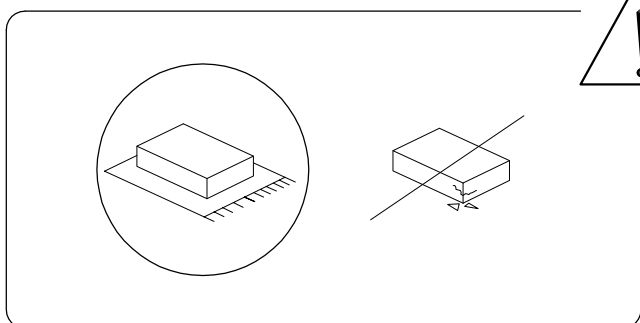
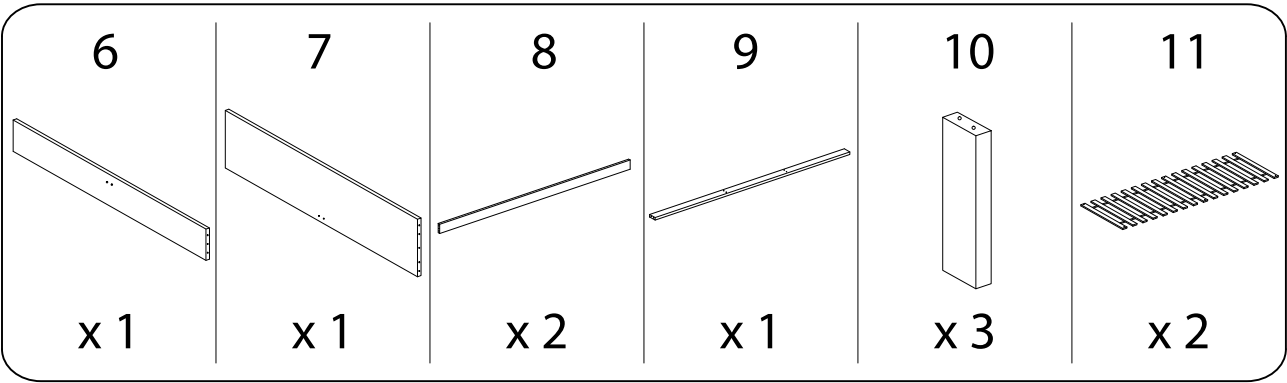
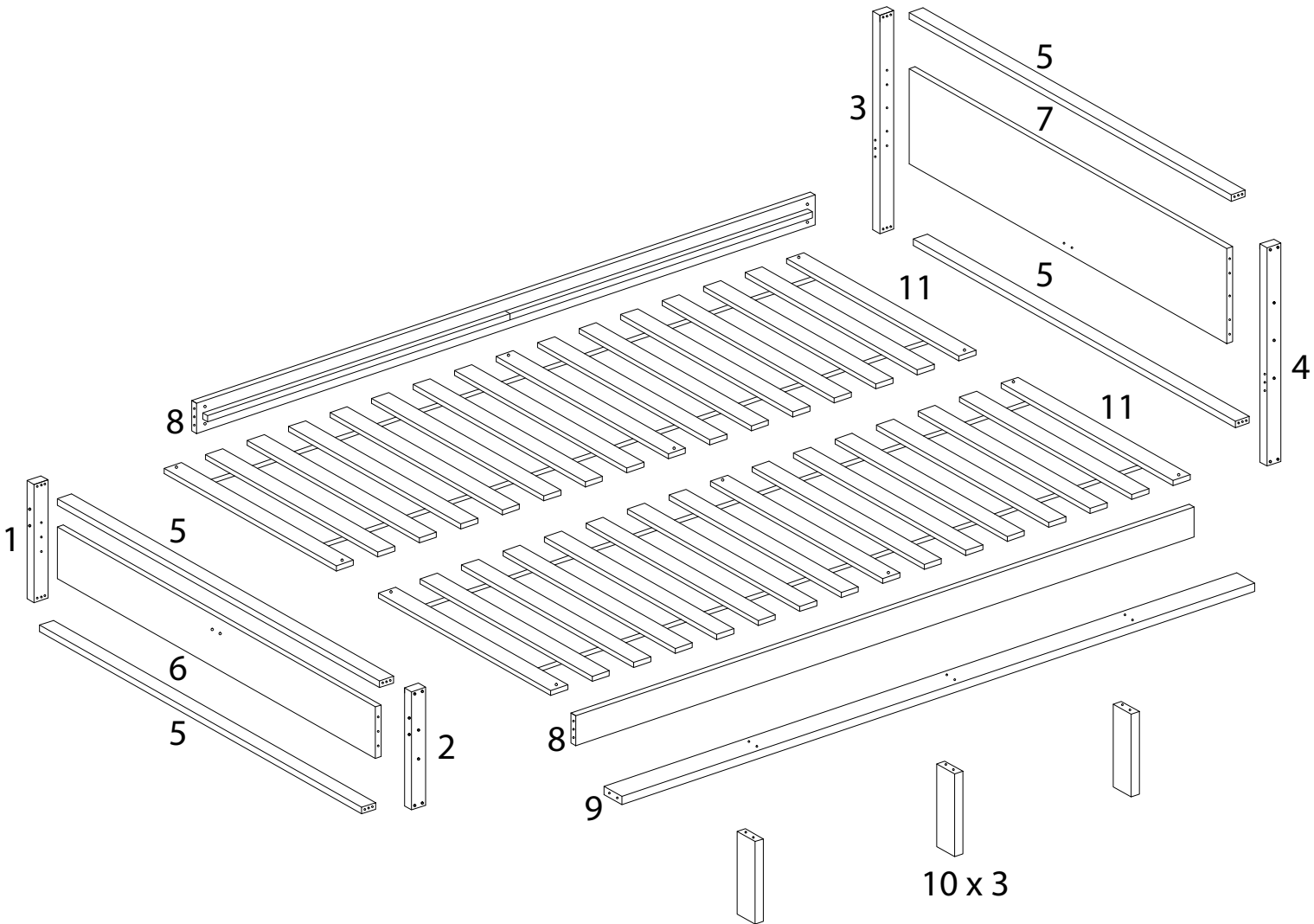
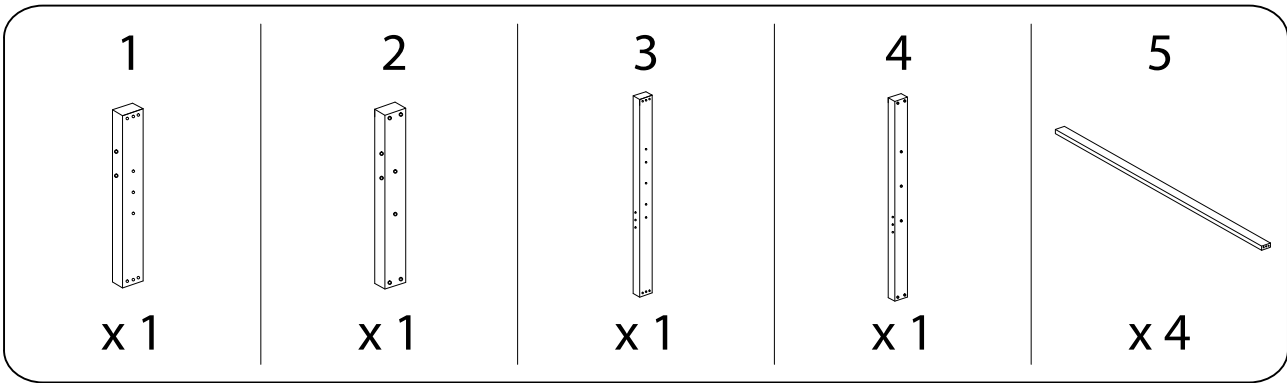


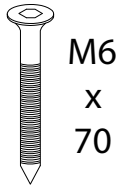
90'



2

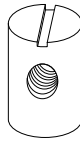


A



x 26

B



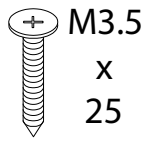
x 34

C



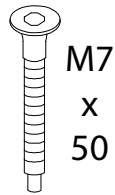
x 18

D



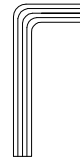
x 16

E



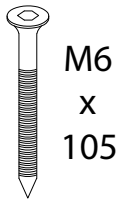
x 8

F



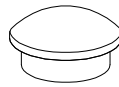
x 1

G



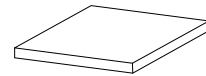
x 8

H



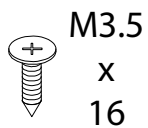
x 34

I



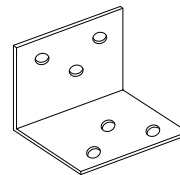
x 4

J



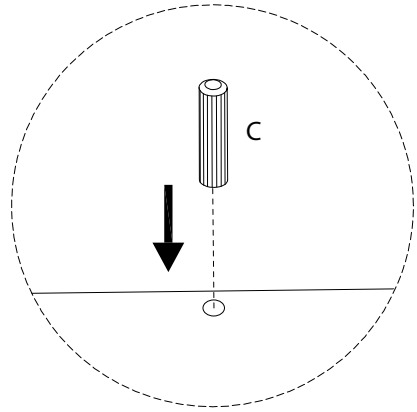
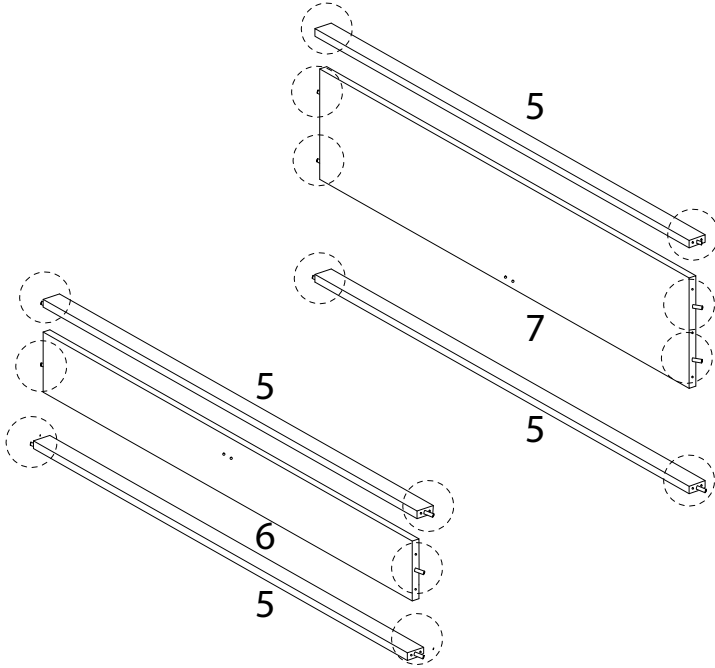
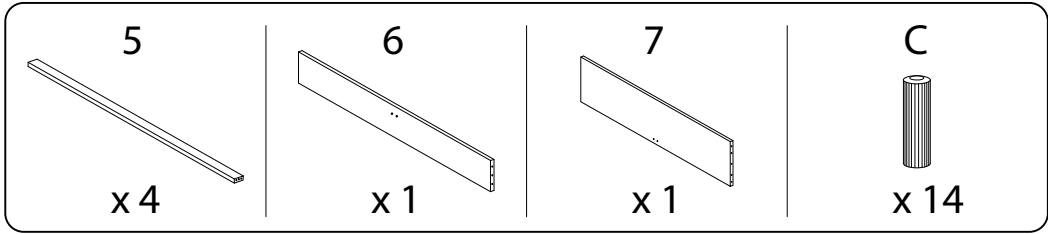
x 6

K

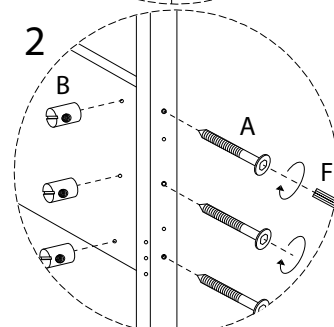
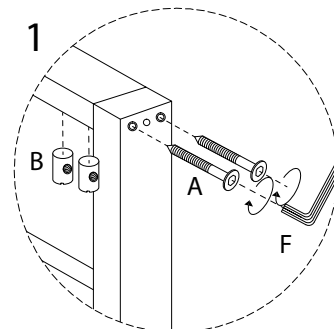
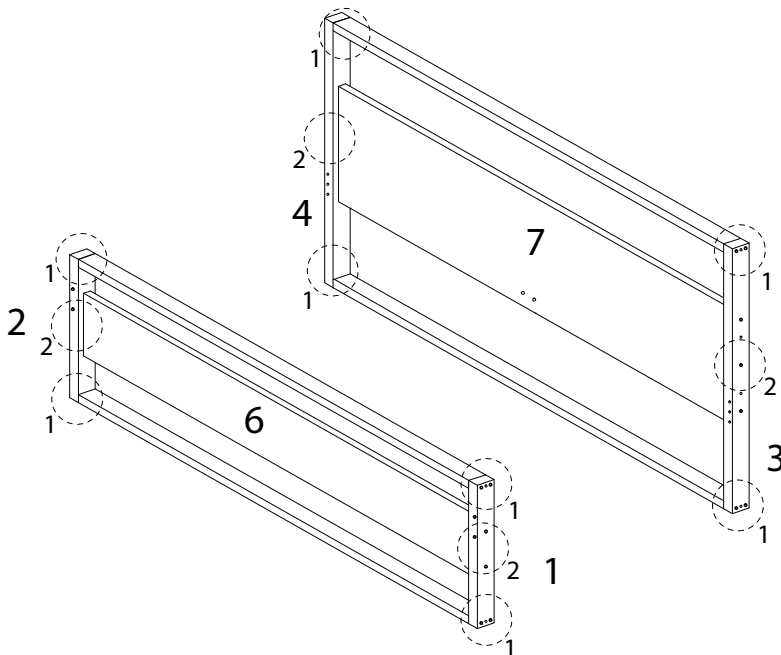
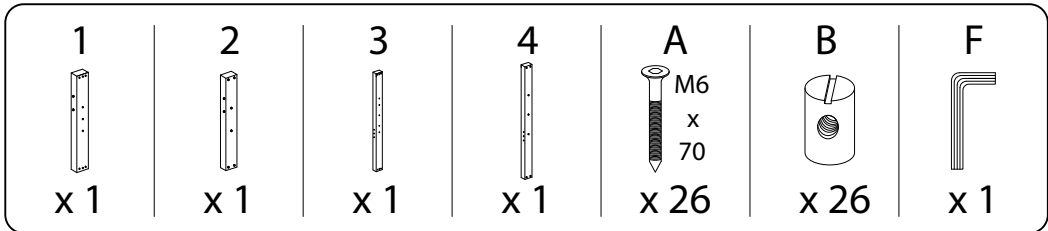


x 1

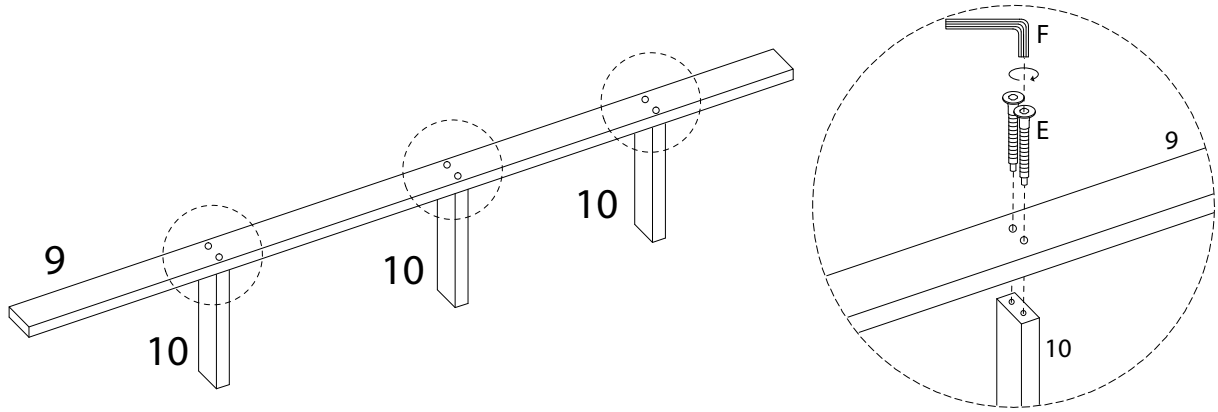
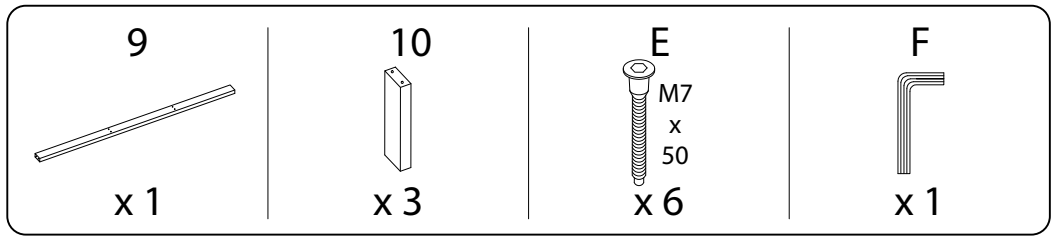
1



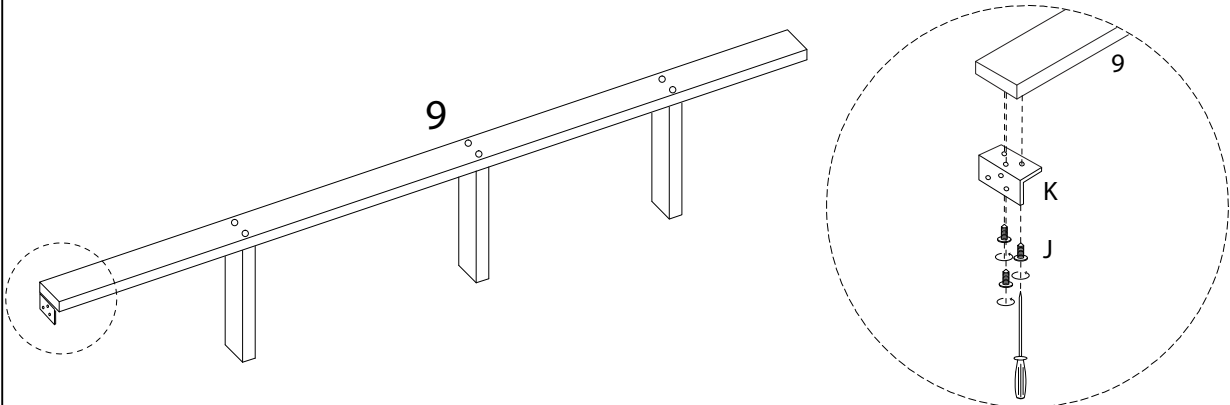
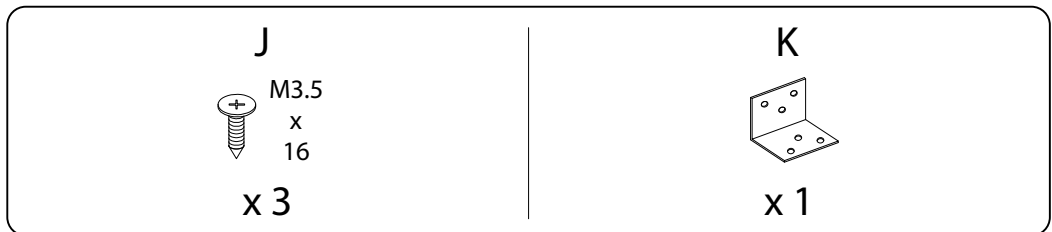
2



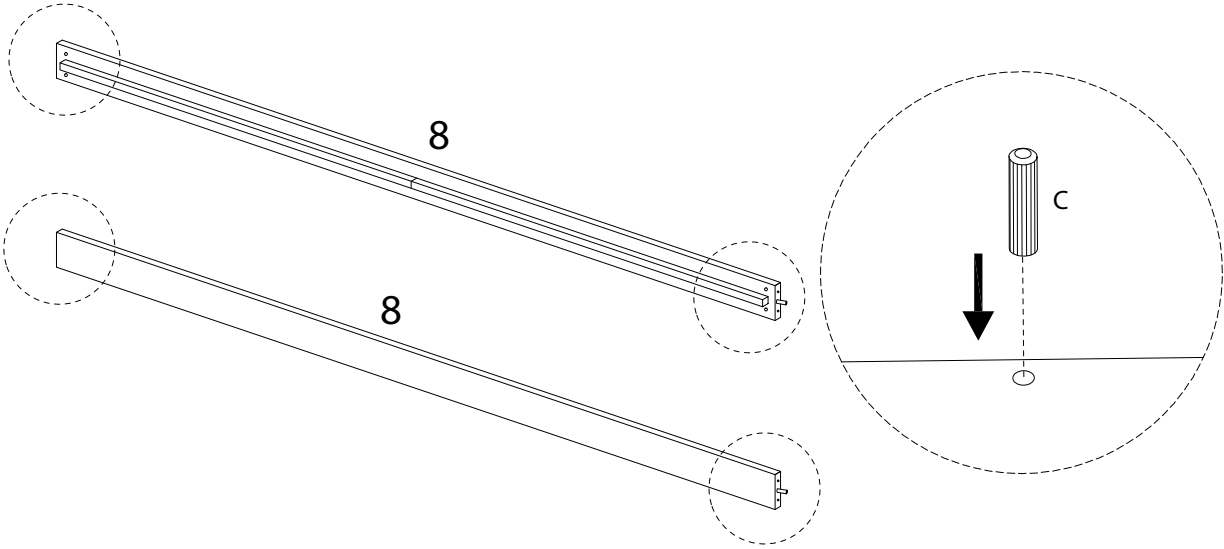
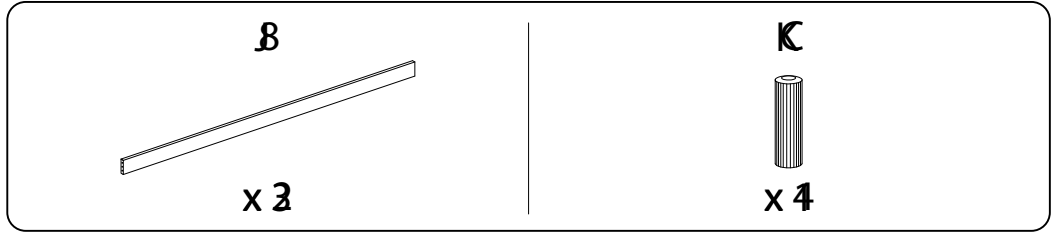
3



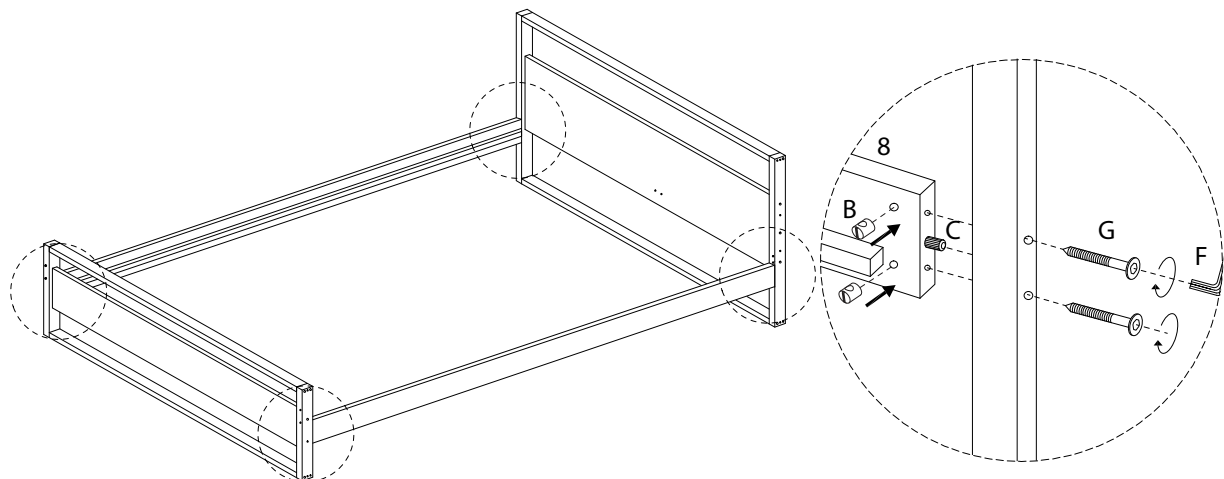
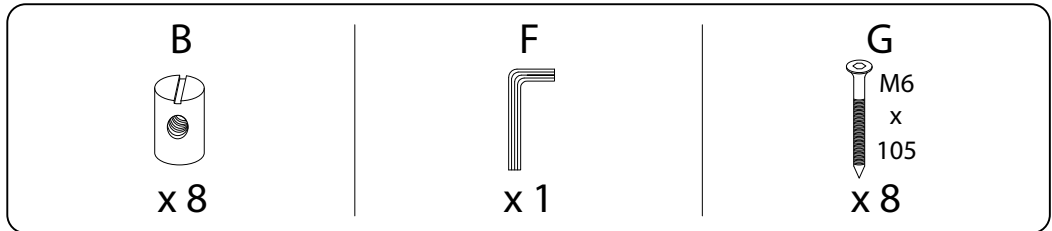
4



5



6

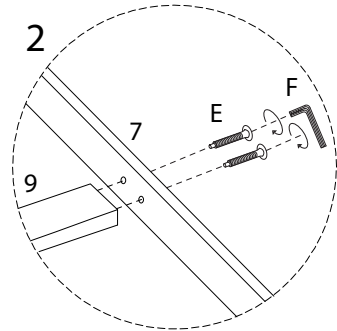
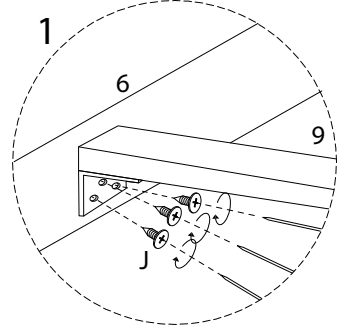
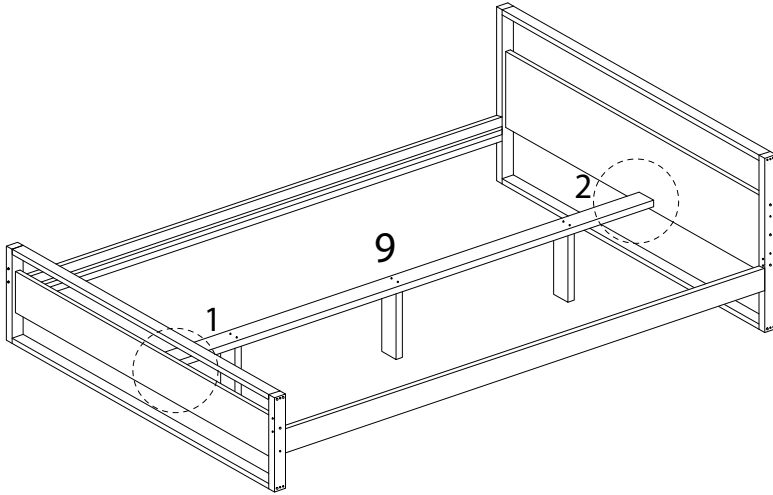


7

E
M7
x
50
x 2

F
x 1

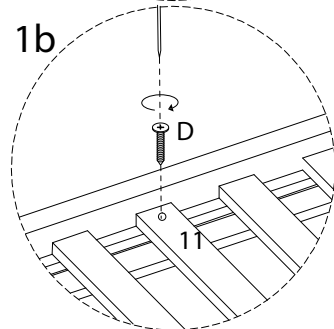
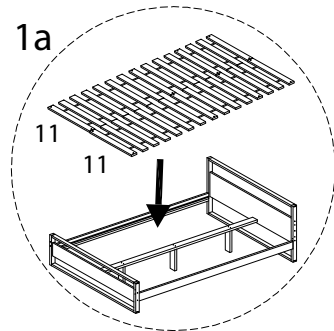
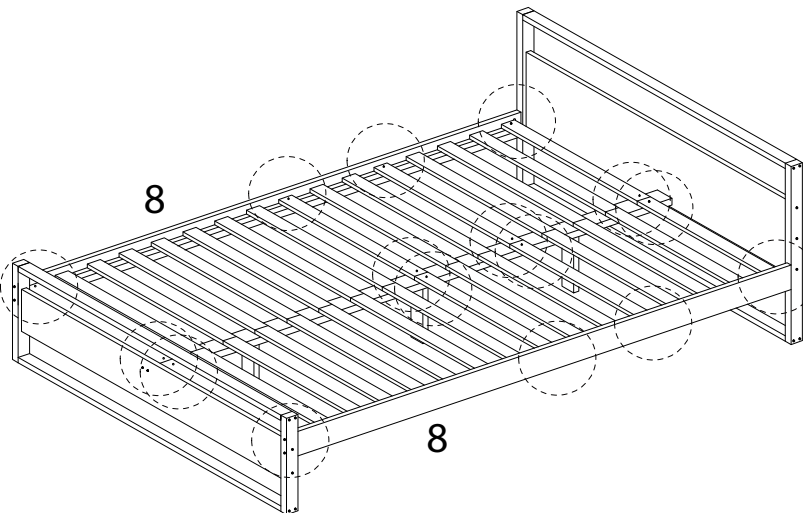
J
M3.5
x
16
x 3



8

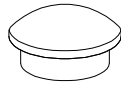
11
x 2

D
M3.5
x
25
x 16

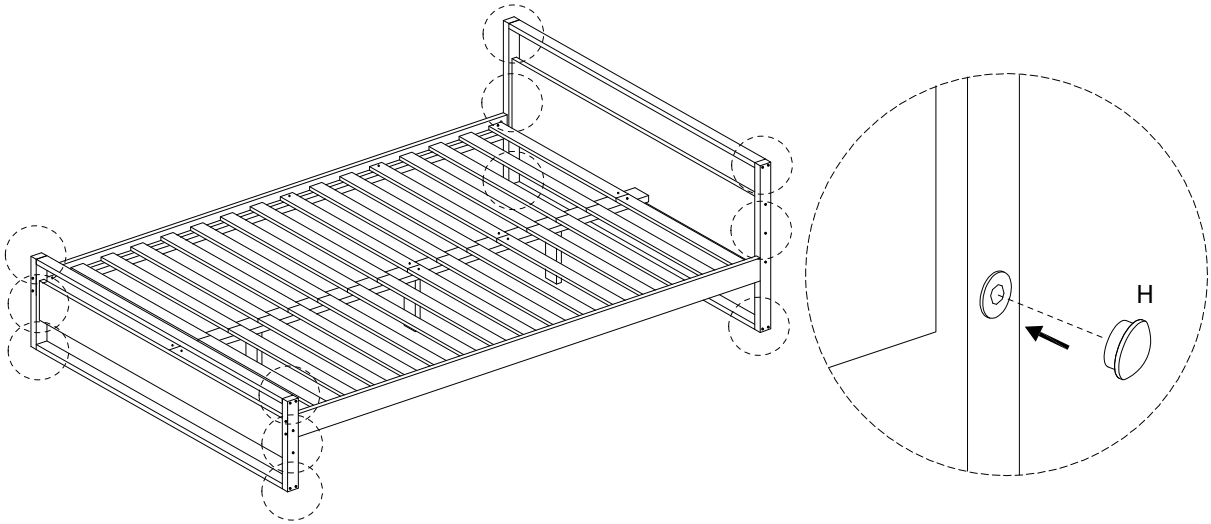


9

H

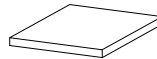


x 34



10

I



x 4

