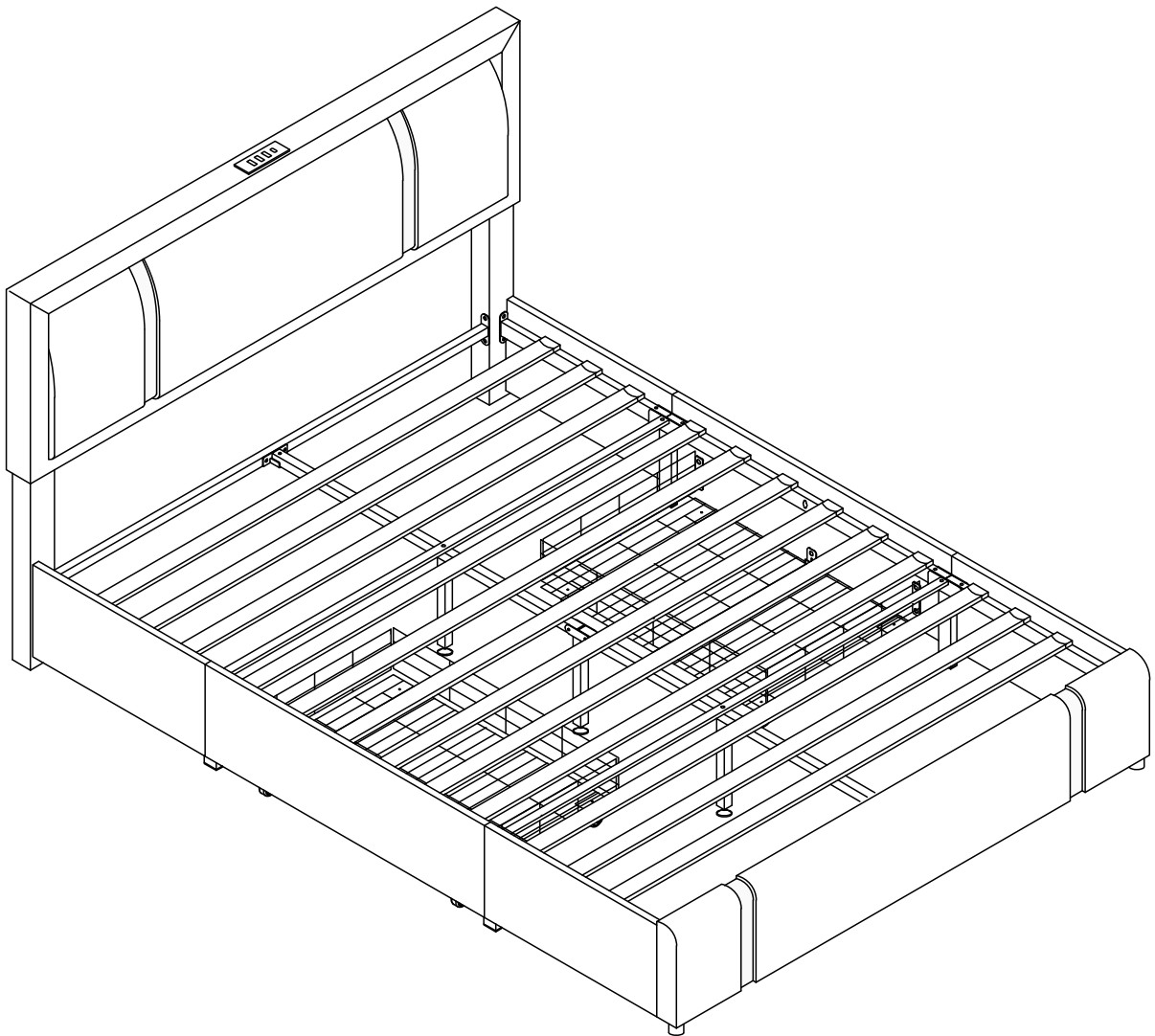


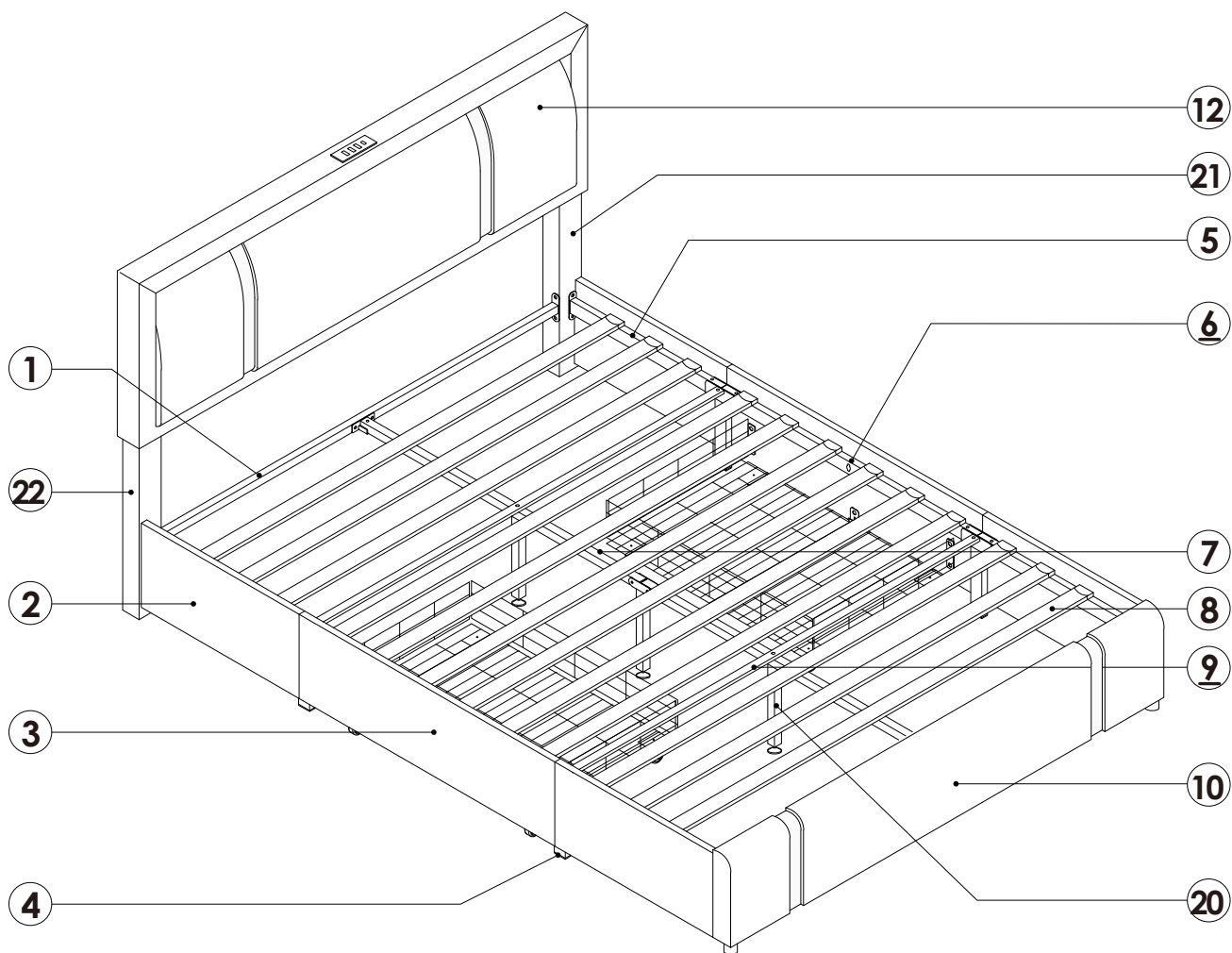
User's Manual

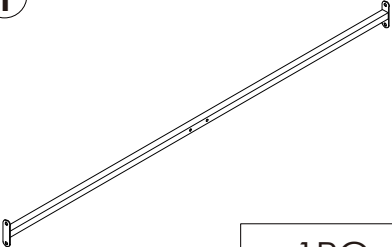
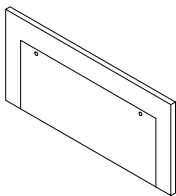
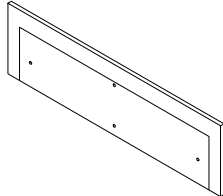
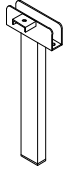
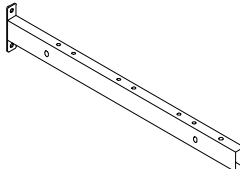
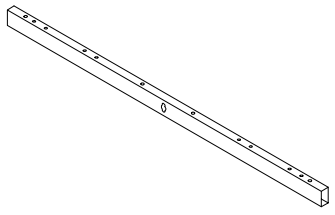
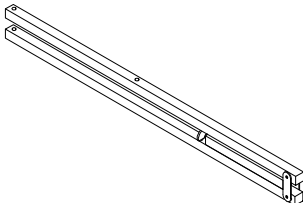
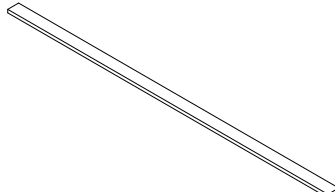
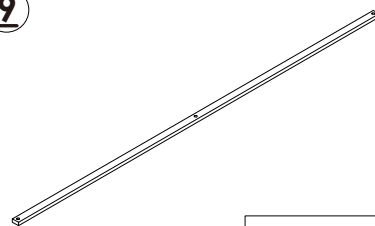
Bed Frame with Headboard



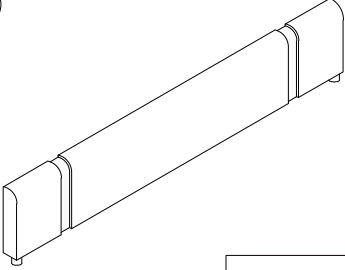
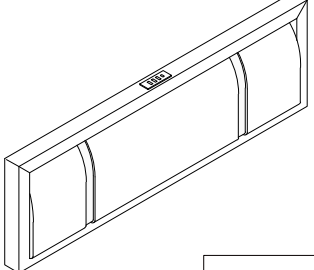
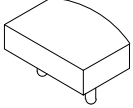
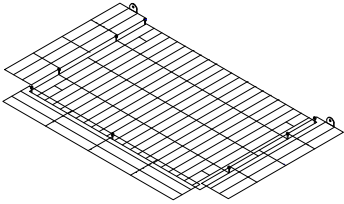
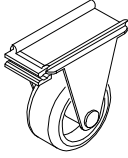
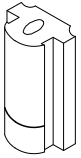

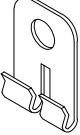



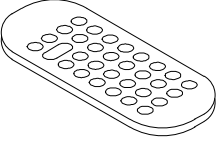

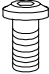
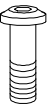
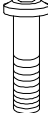
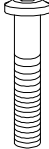
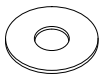
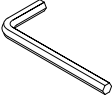
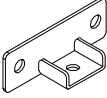
Queen Size

Assembly Instruction of (Bed)



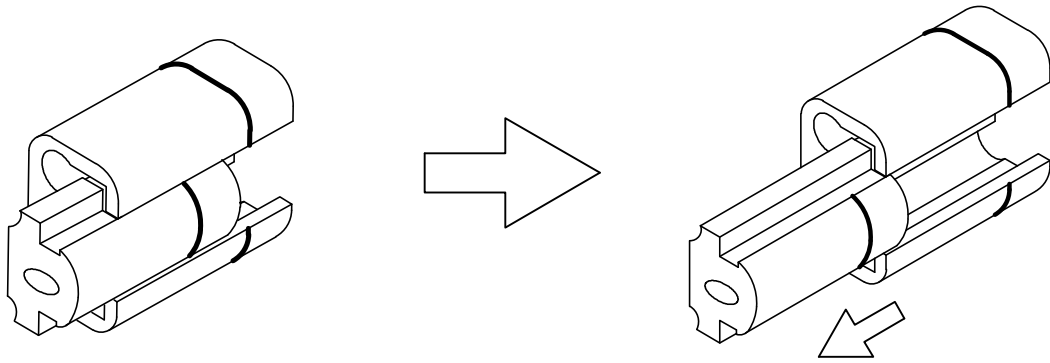
<p>①</p>  <p>1PC</p>	<p>②</p>  <p>4PCS</p>	<p>③ Drawer board</p>  <p>2PCS</p>
<p>④</p>  <p>4PCS</p>	<p>⑤</p>  <p>4PCS</p>	<p>⑥</p>  <p>2PCS</p>
<p>⑦</p>  <p>1PC</p>	<p>⑧</p>  <p>12PCS</p>	<p>⑨</p>  <p>2PCS</p>

Assembly Instruction of (Bed)

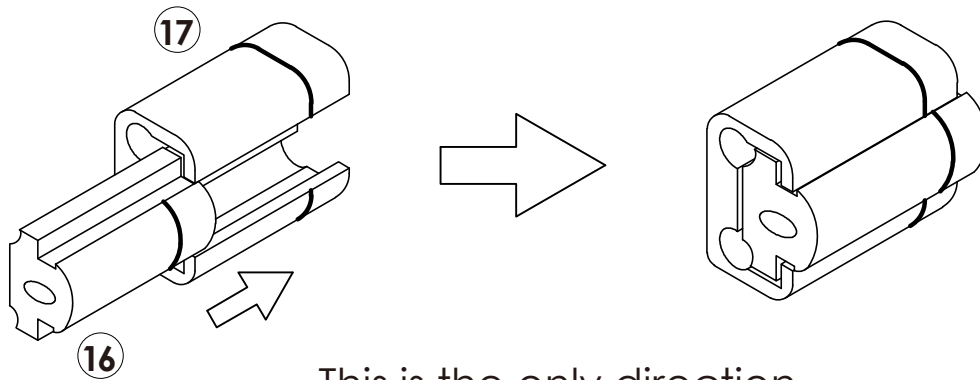
 10	 12	 13	
1PC	1PC	24PCS	
 14 drawer	 15 Pulley	 16 Black plastic buckle(A)	
2PCS	8PCS	4PCS	
 17 Black plastic buckle(B)	 19 Iron buckle	 20	
4PCS	2PCS	2PCS	
 21	 22	 23	 24
1PC	1PC	1PC	1PC
A  M8×15mm	B  M8×25mm	C  M8×35mm	D  M8×55mm
12+2PCS	12+2PCS	14+1PCS	14+1PCS
E  Ø8×22mm	F  M8	I  2PCS	
4PCS	1PC	2PCS	

Assembly Instruction of (Drawer)

STEP 1

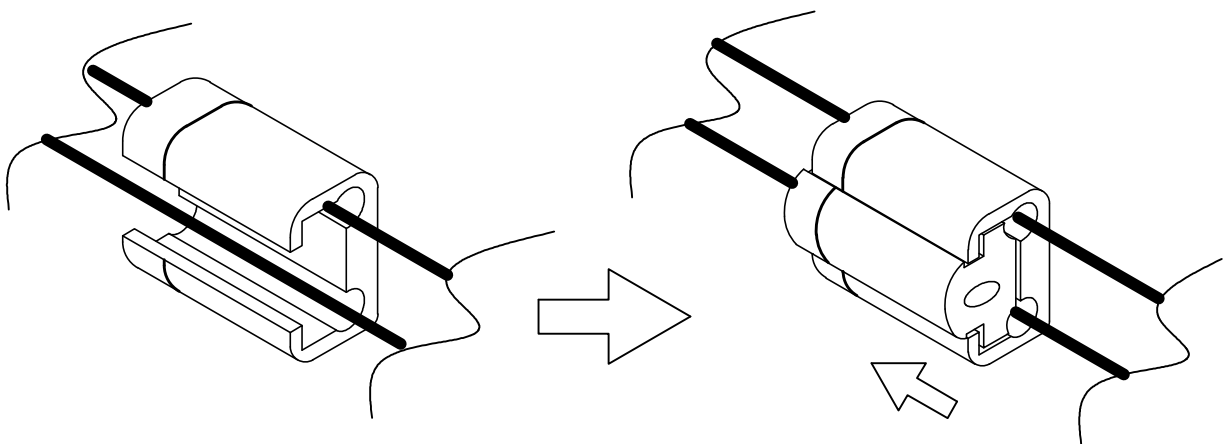


You can pull the buckle out by following the direction indicated by the arrow



This is the only direction that can be locked.

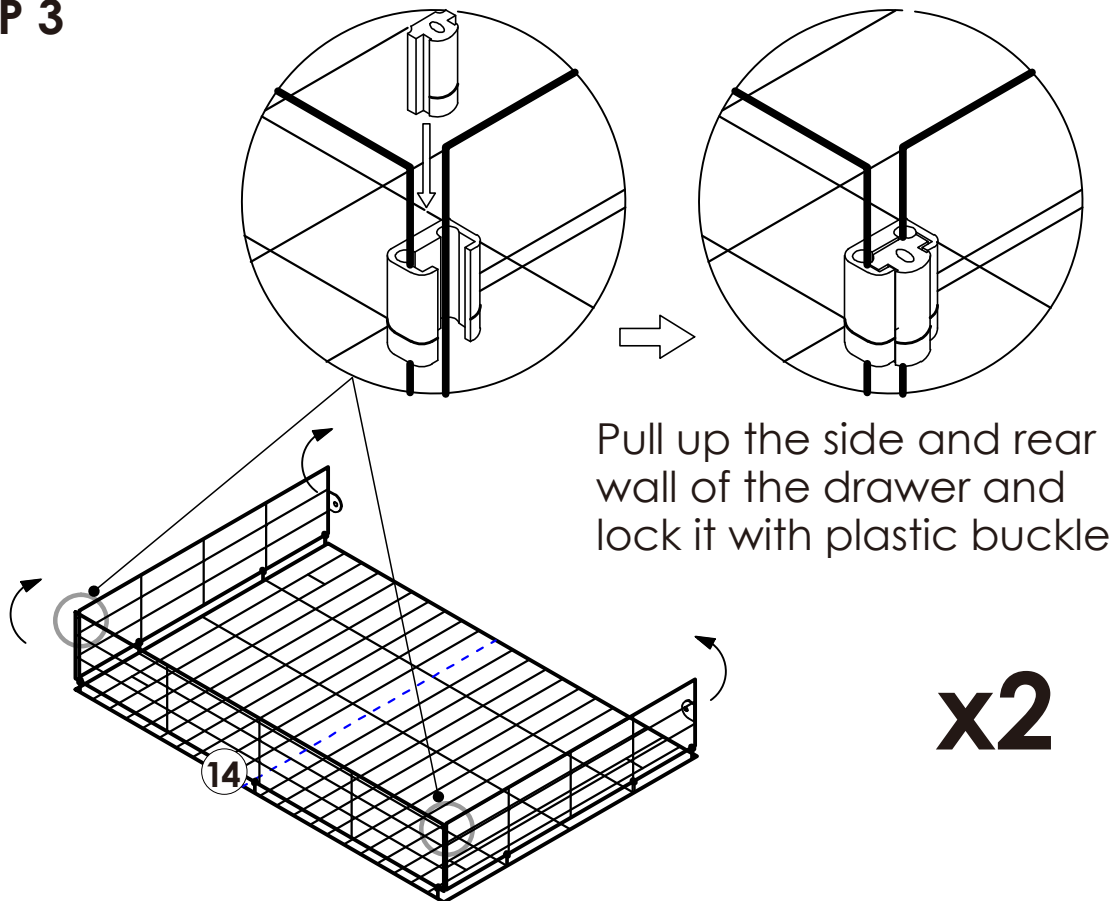
STEP 2



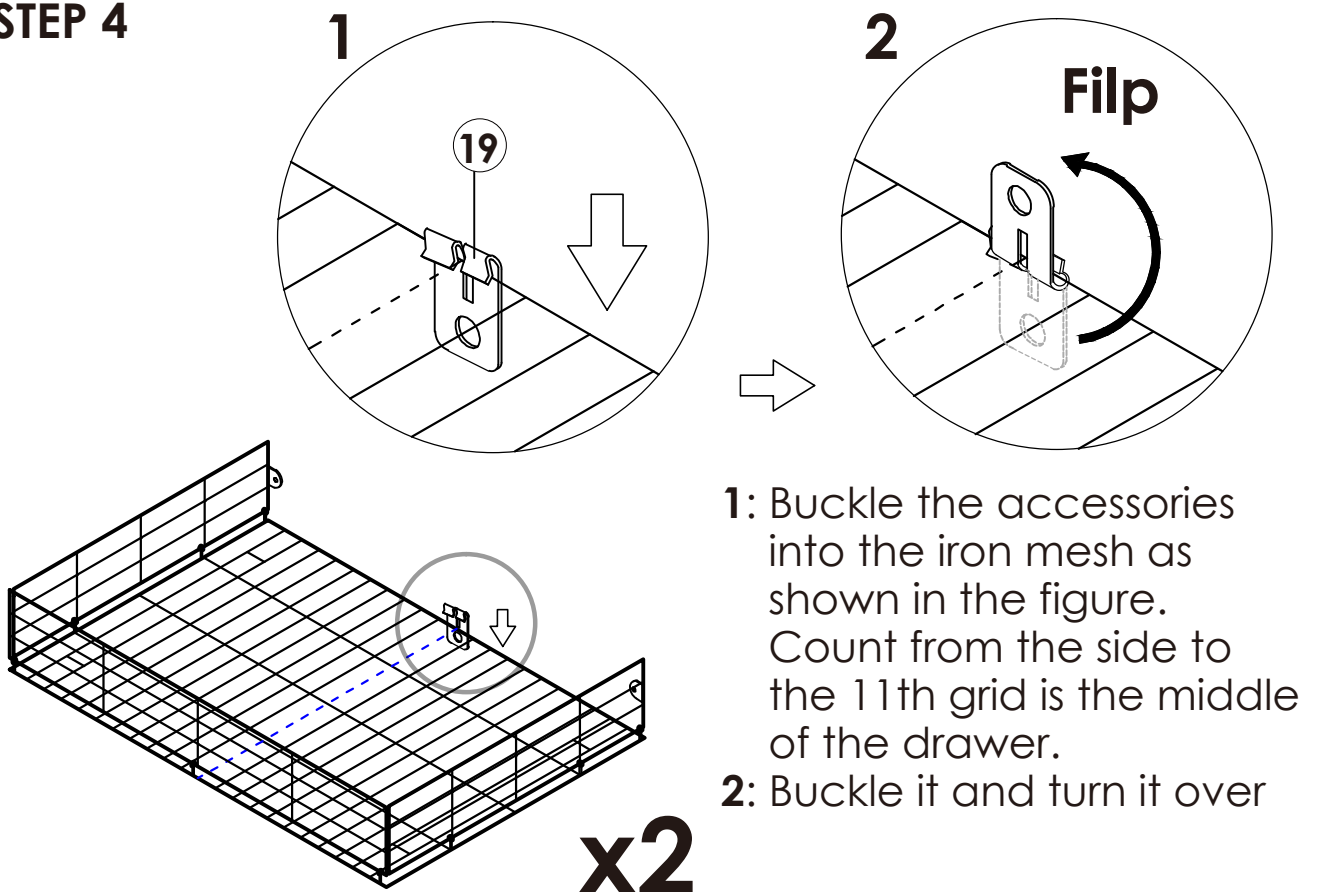
Place the round iron tubes as shown for better assembly of the drawers.

Assembly Instruction of (Drawer)

STEP 3

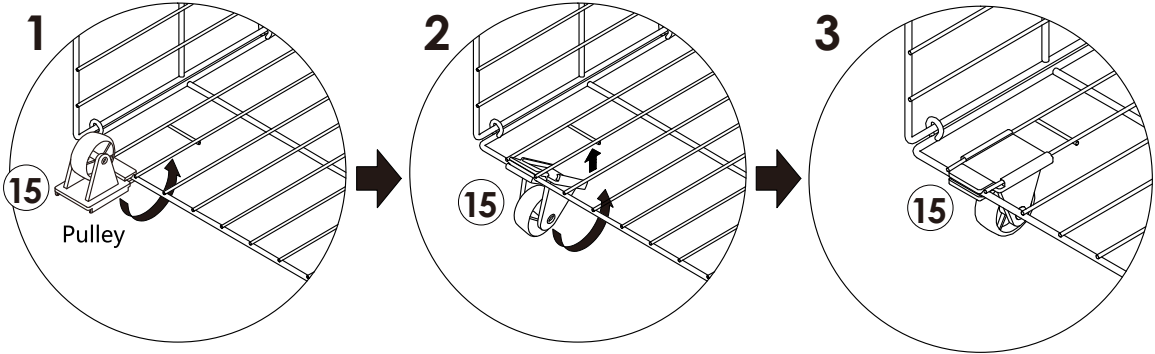


STEP 4



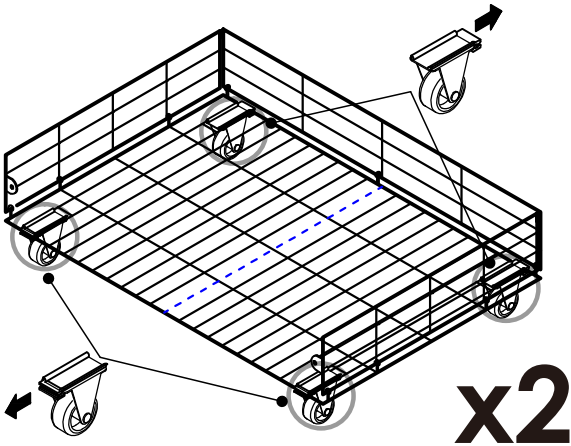
Assembly Instruction of (Drawer)

STEP 5



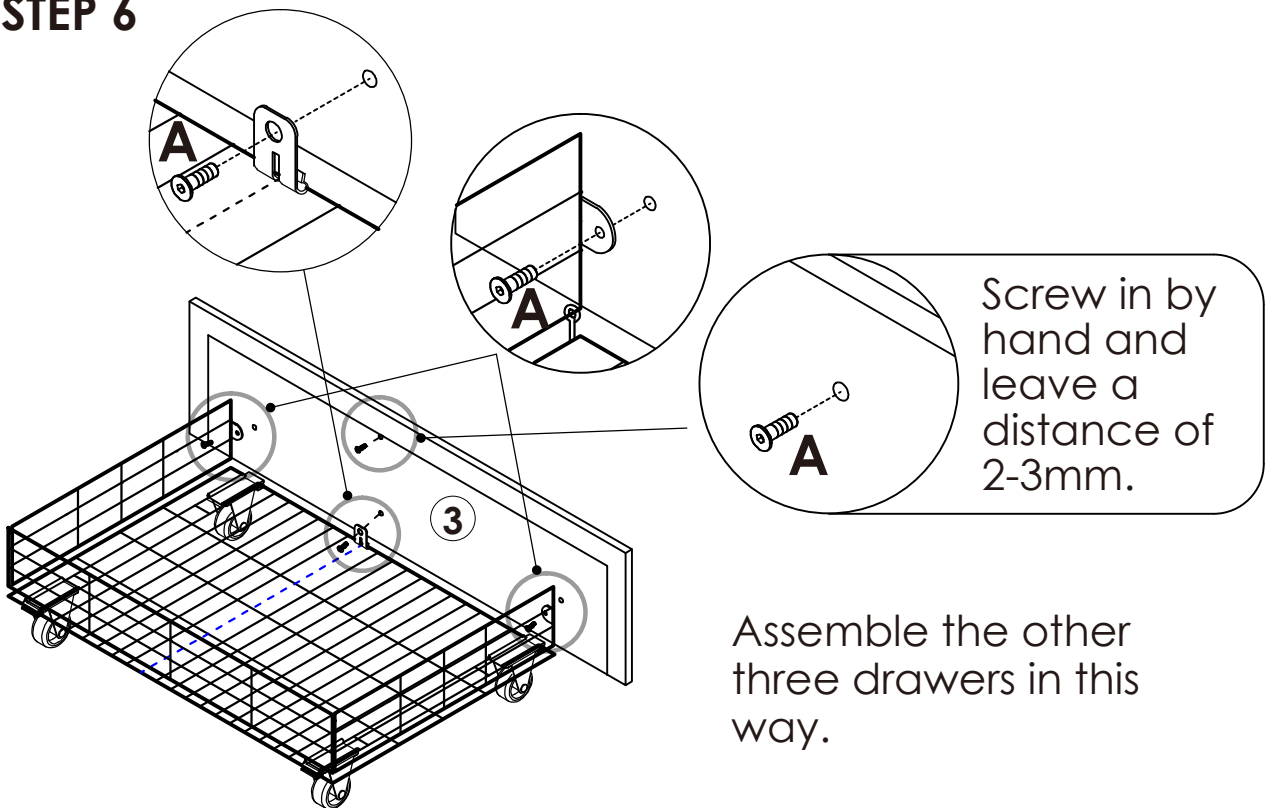
1. As shown in the figure Clip the pulley into position first

2. Then push the pulley to the side, clamp the iron wire at the edge.

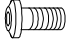



Place the round iron tubes as shown for better assembly of the drawers.

STEP 6



Assemble the other three drawers in this way.

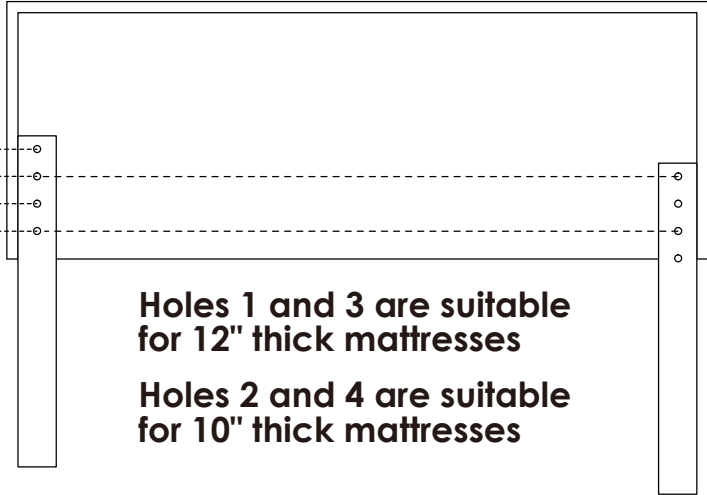
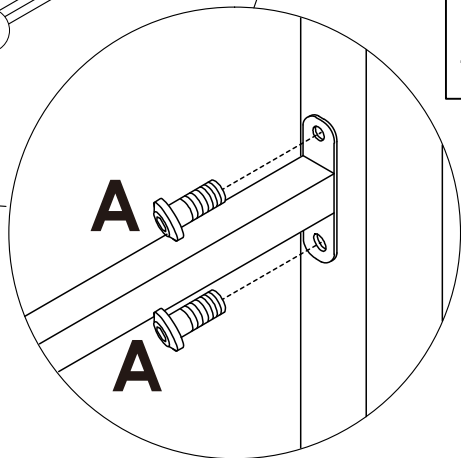
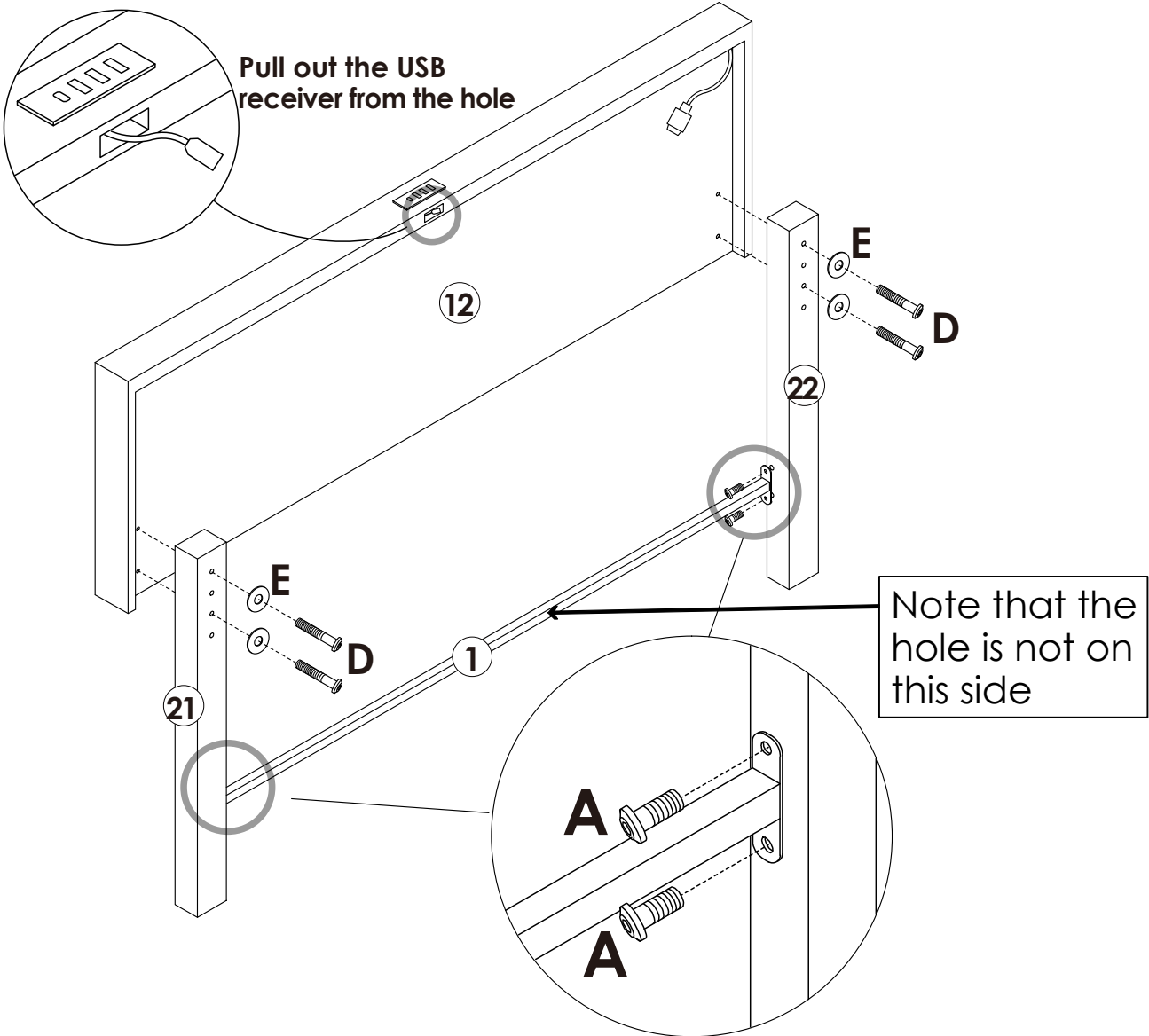
	A x 8PCS
	F x 1PC

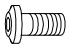
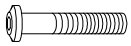


x2

Assembly Instruction of (Drawer)

STEP 7

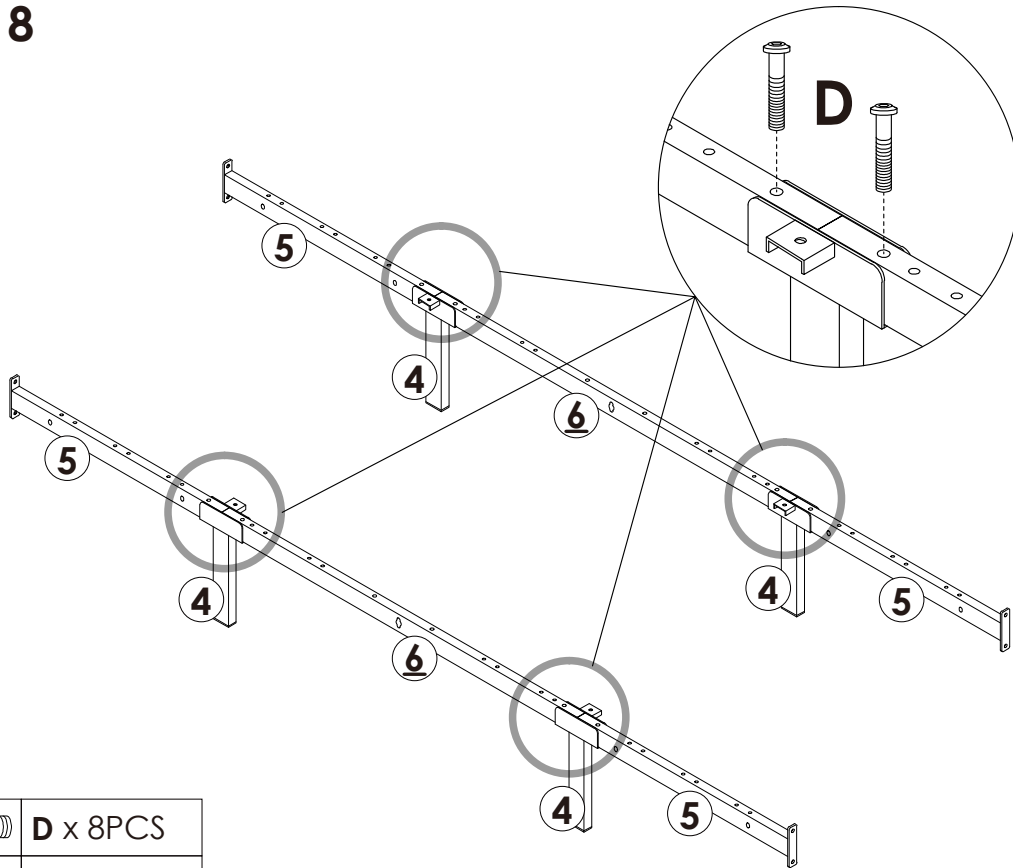
There is a connector on the side of the bed.
Please be careful not to damage it, otherwise
the LED light will not work.

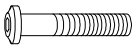



	A x 4PCS
	D x 4PCS
	E x 4PCS
	F x 1PC

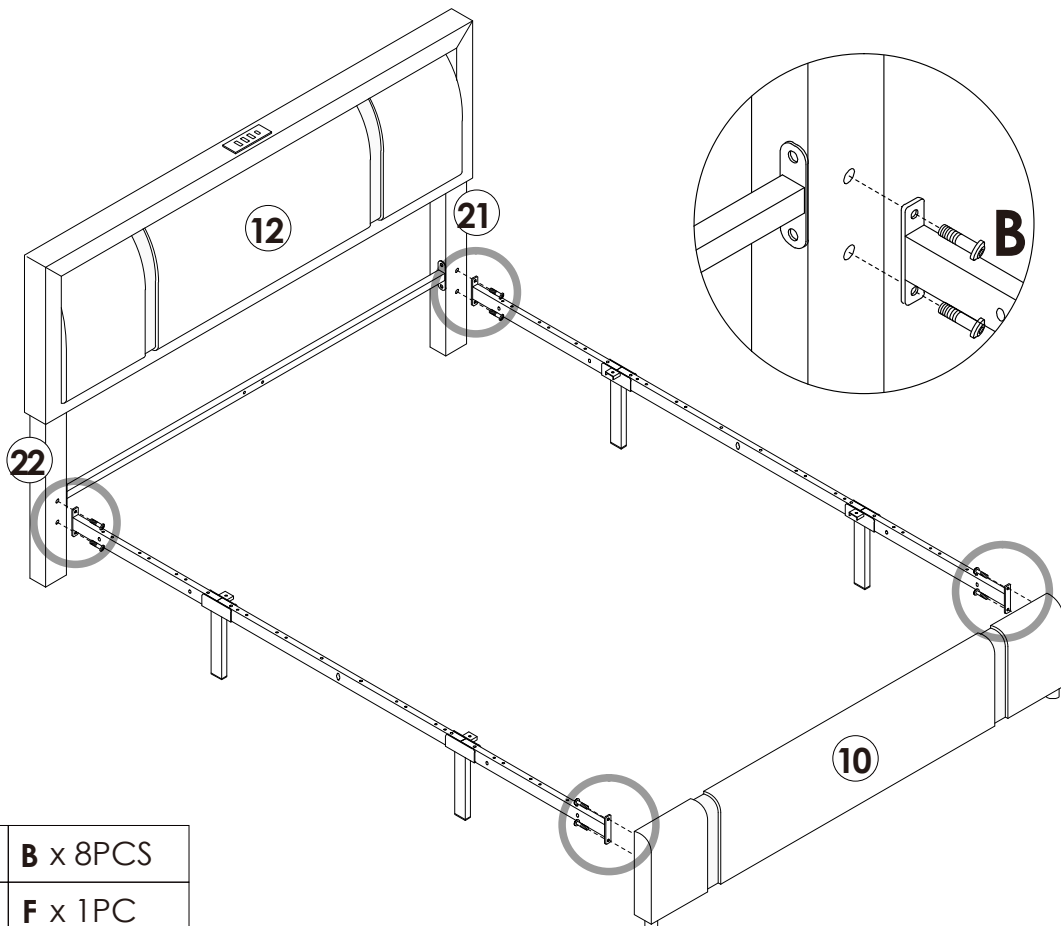
Assembly Instruction of (Bed)

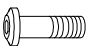
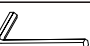
STEP 8



	D x 8PCS
	F x 1PC

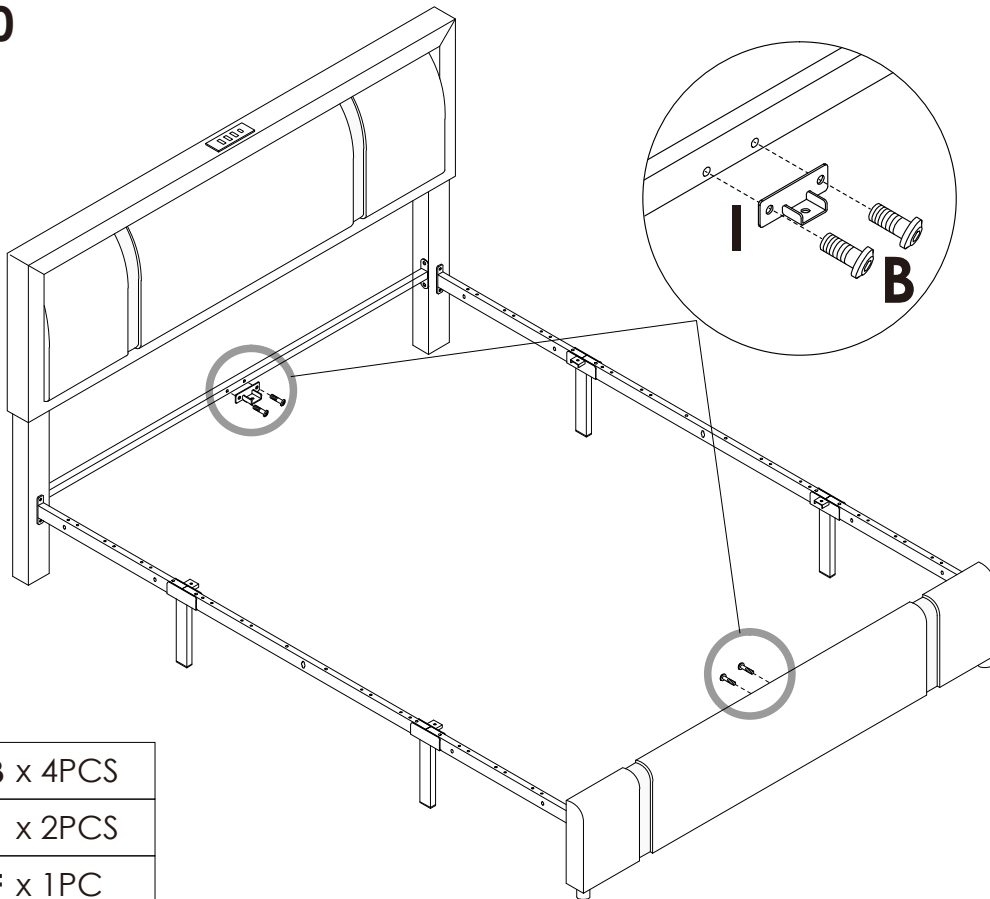
STEP 9 This step requires 2 people to install.

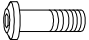




	B x 8PCS
	F x 1PC

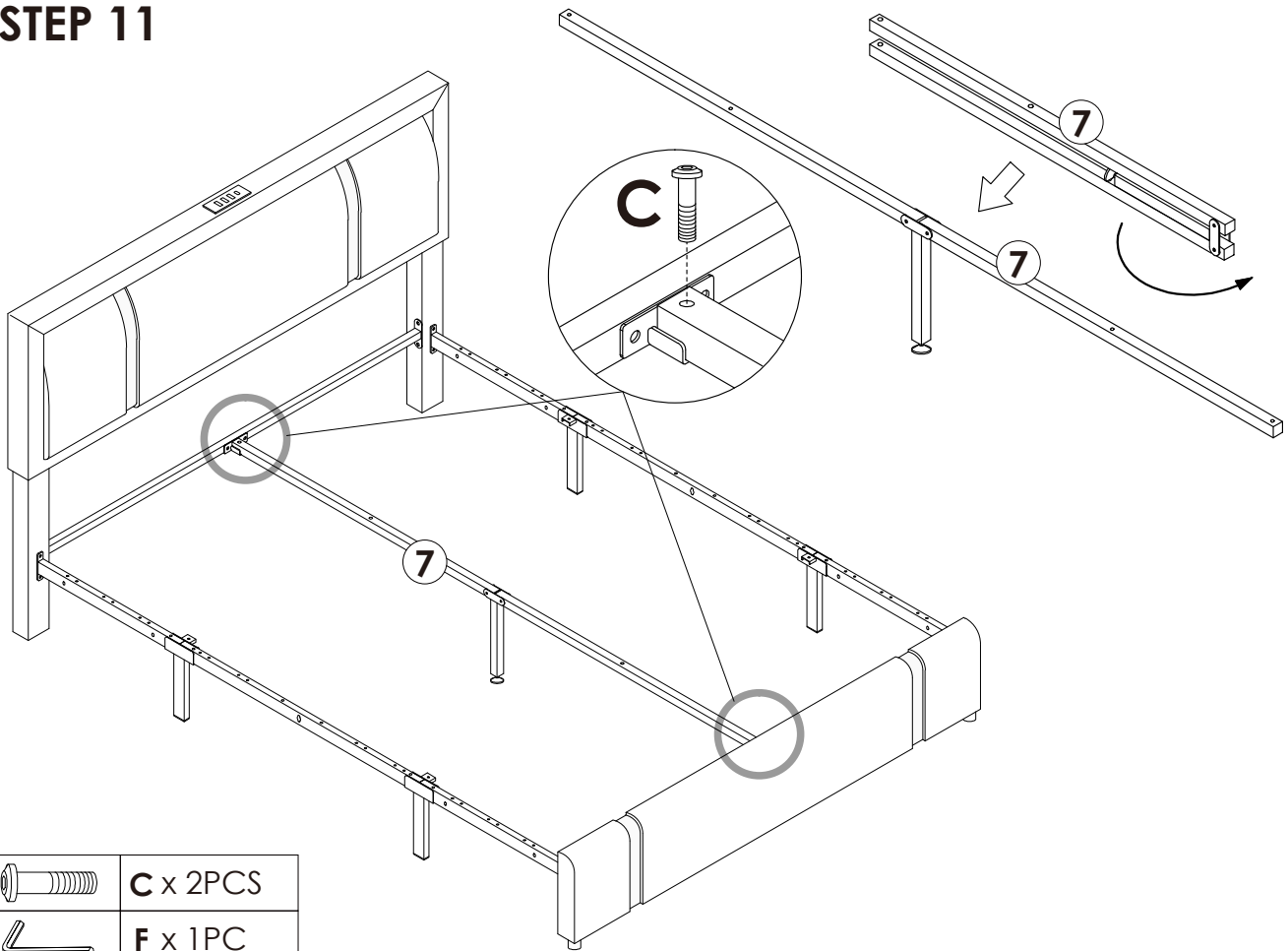
Assembly Instruction of (Bed)

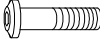

STEP 10



	B x 4PCS
	I x 2PCS
	F x 1PC

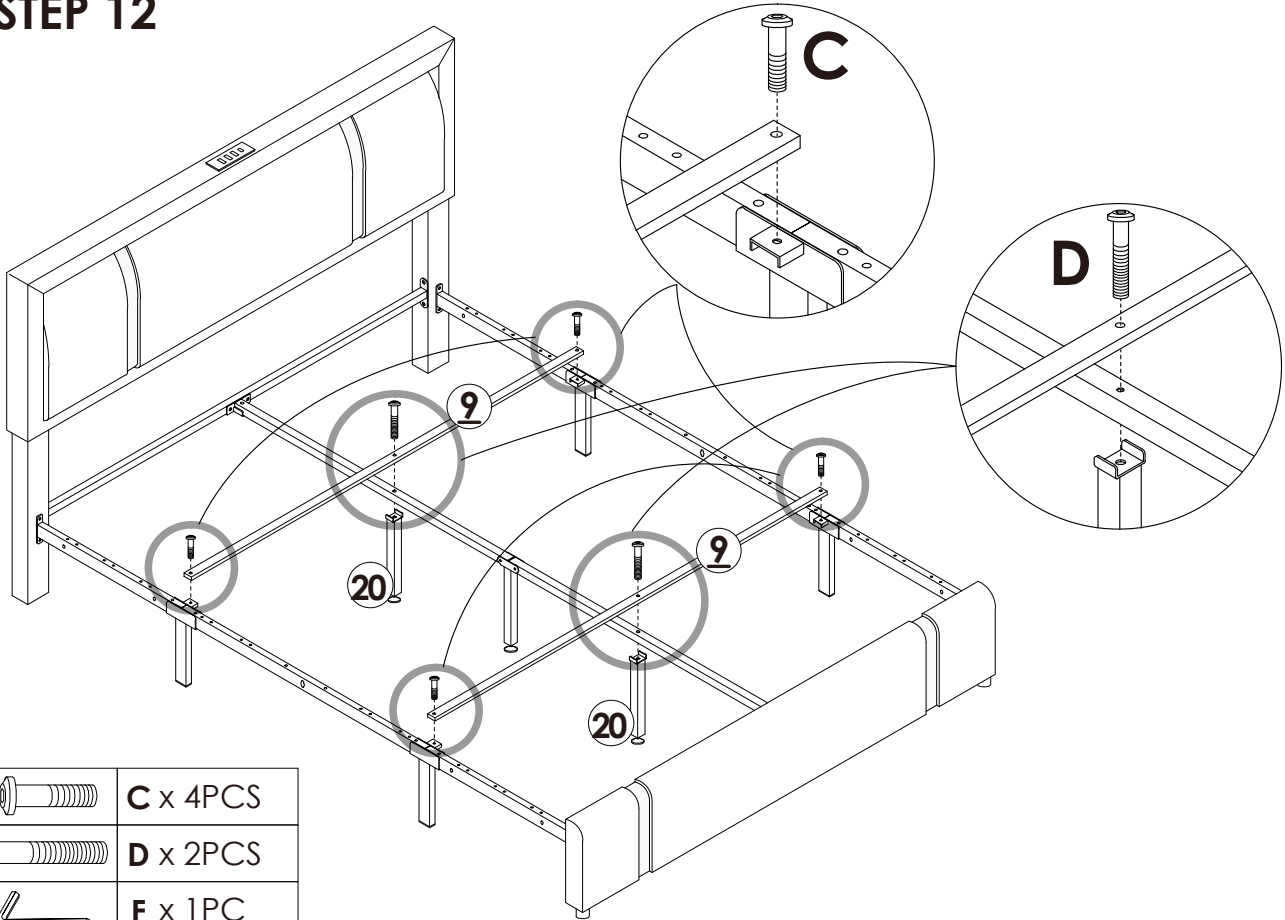
STEP 11



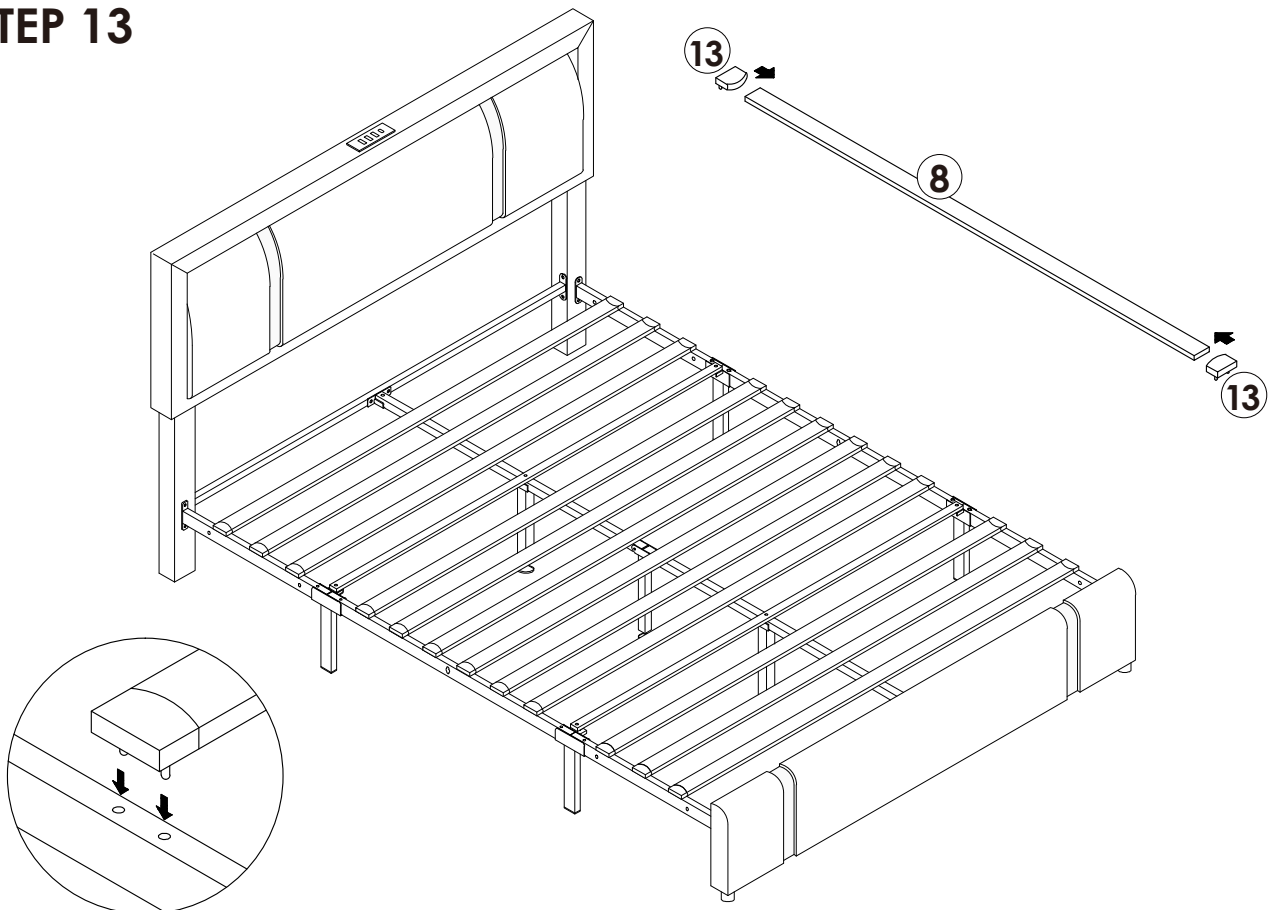
	C x 2PCS
	F x 1PC

Assembly Instruction of (Bed)

STEP 12

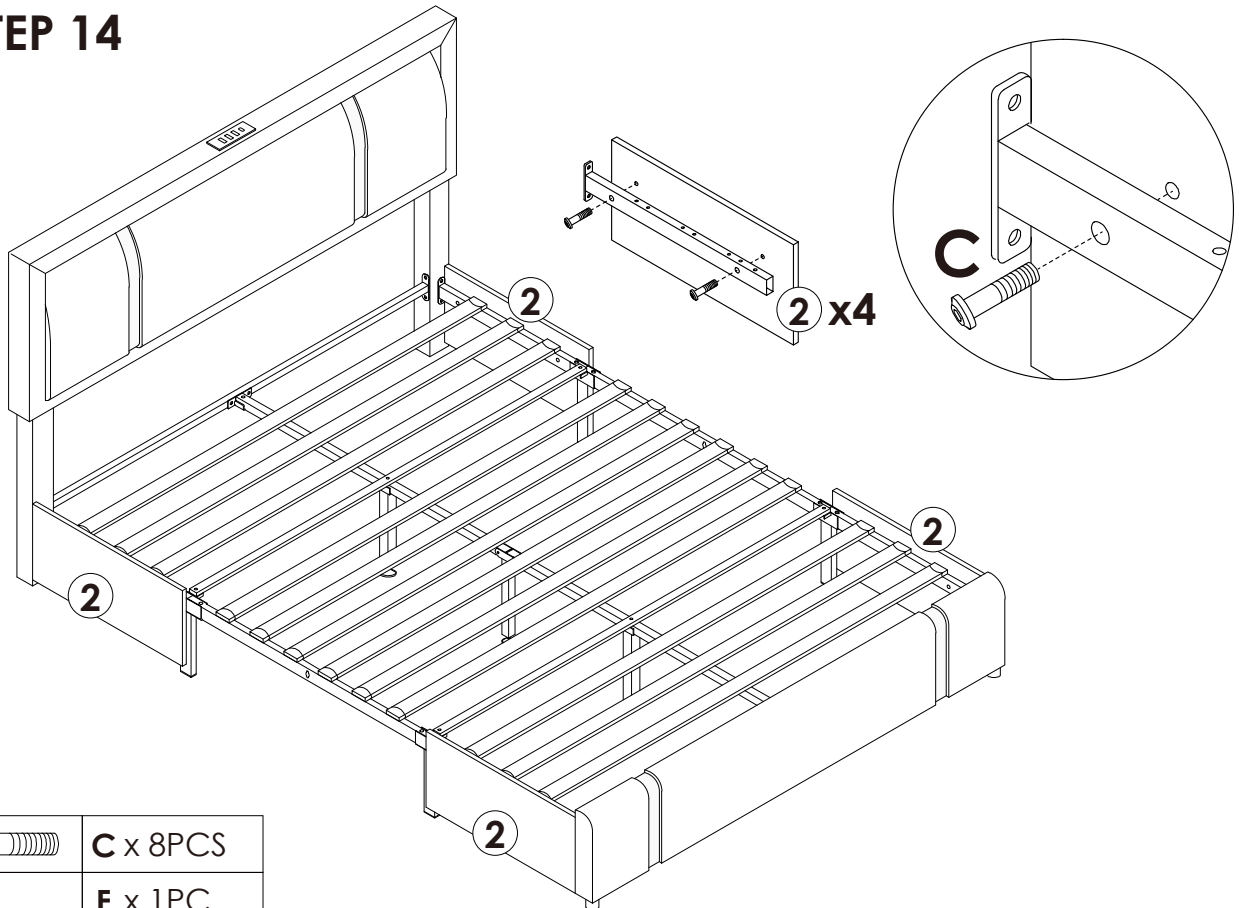


STEP 13

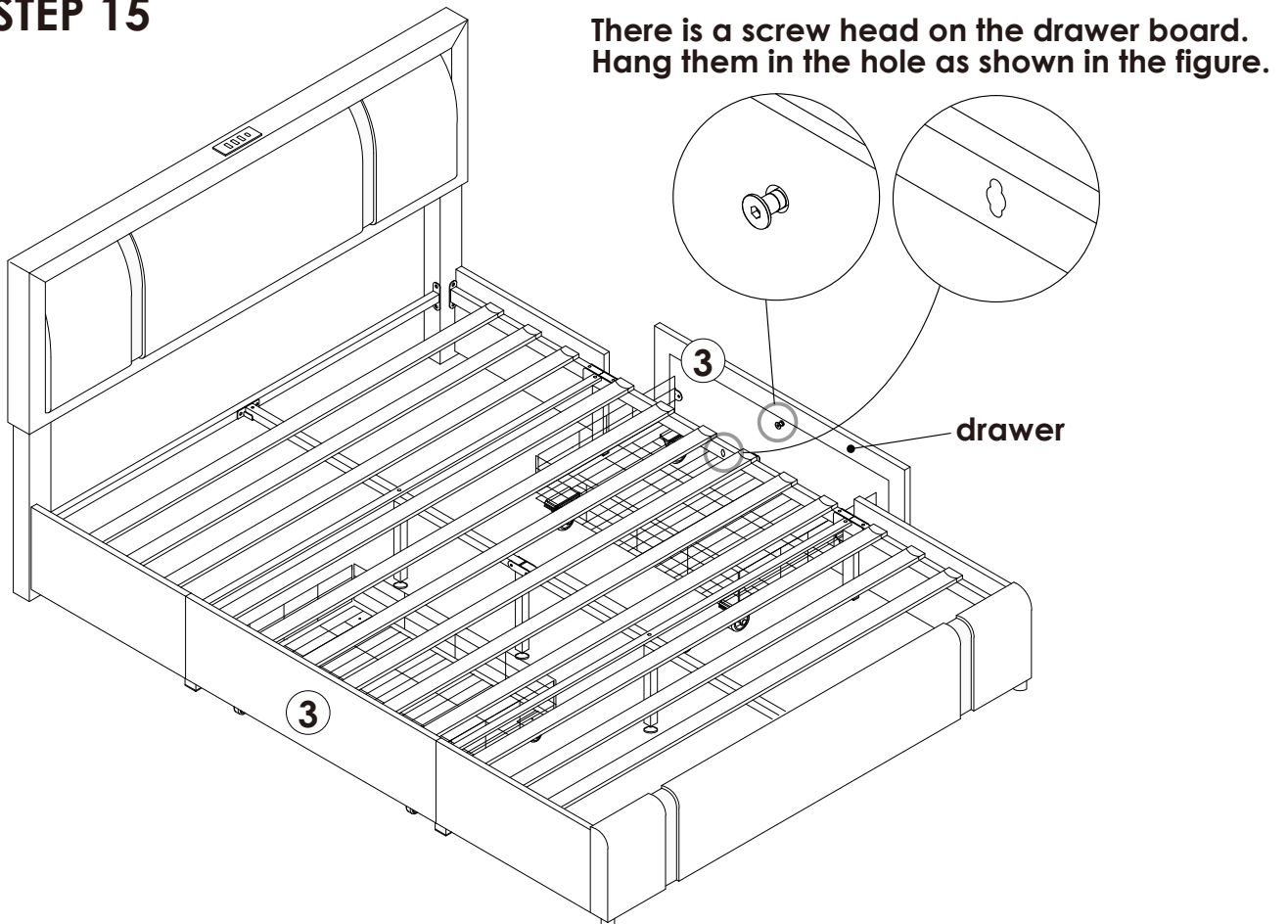


Assembly Instruction of (Bed)

STEP 14

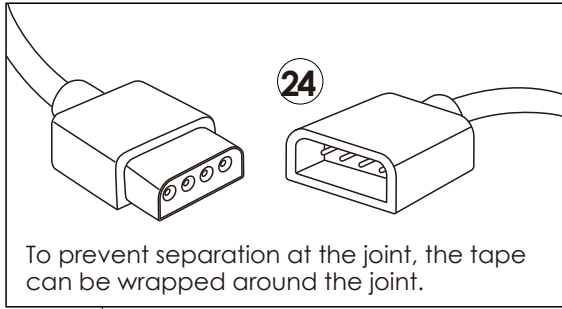


STEP 15

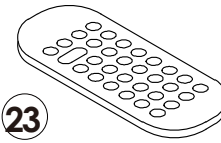


Assembly Instruction of (Bed)

STEP 16

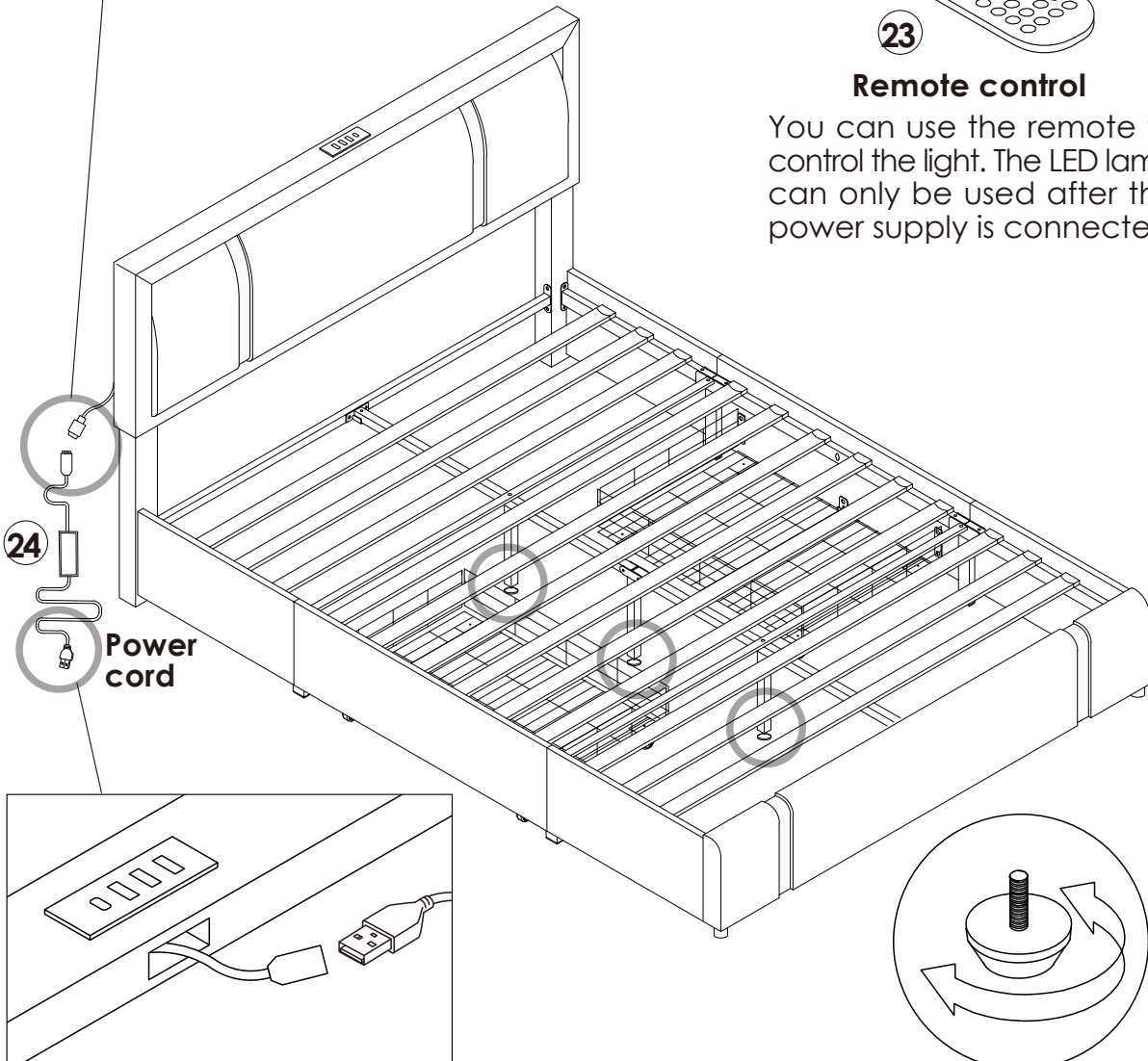


NOTE: The black part of the receiver ②④ needs to be exposed to air in order to better control the LED light.

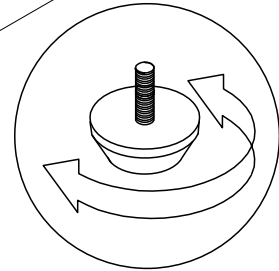


Remote control

You can use the remote to control the light. The LED lamp can only be used after the power supply is connected.



②④
Power cord



You can try to turn this foot to adjust if the bed is placed on an uneven floor.

Please scan the QR code on the manual/controller and install the application.
Step1: Please make sure your phone has Bluetooth enabled.
Step2: The LED light will automatically connect to the APP.

