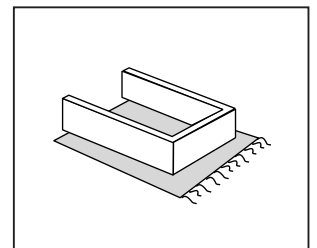
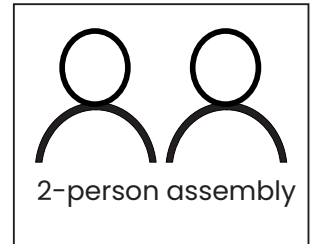
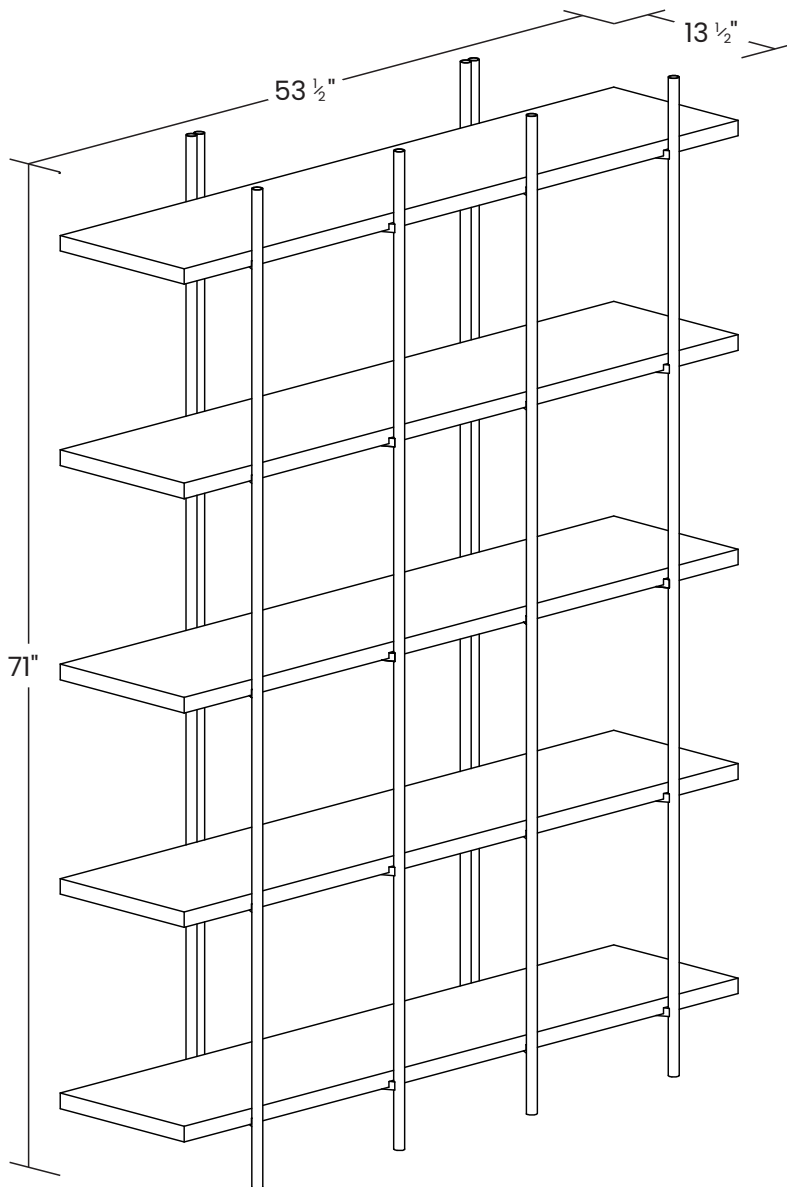


# Assembly Instructions



Model #	Finish
CA2108	Blonde Oak
CA2110	Brown Oak

Thank you for choosing Grain Wood Furniture, it is an honor to be in your home!  
If you have any questions, feedback, or need replacement parts please contact us at:  
[grainwoodfurniture.com/help](http://grainwoodfurniture.com/help) or [support@grainwoodfurniture.com](mailto:support@grainwoodfurniture.com)

**Cascadis 53" Bookcase** **GrainWood**  
FURNITURE.COM

---

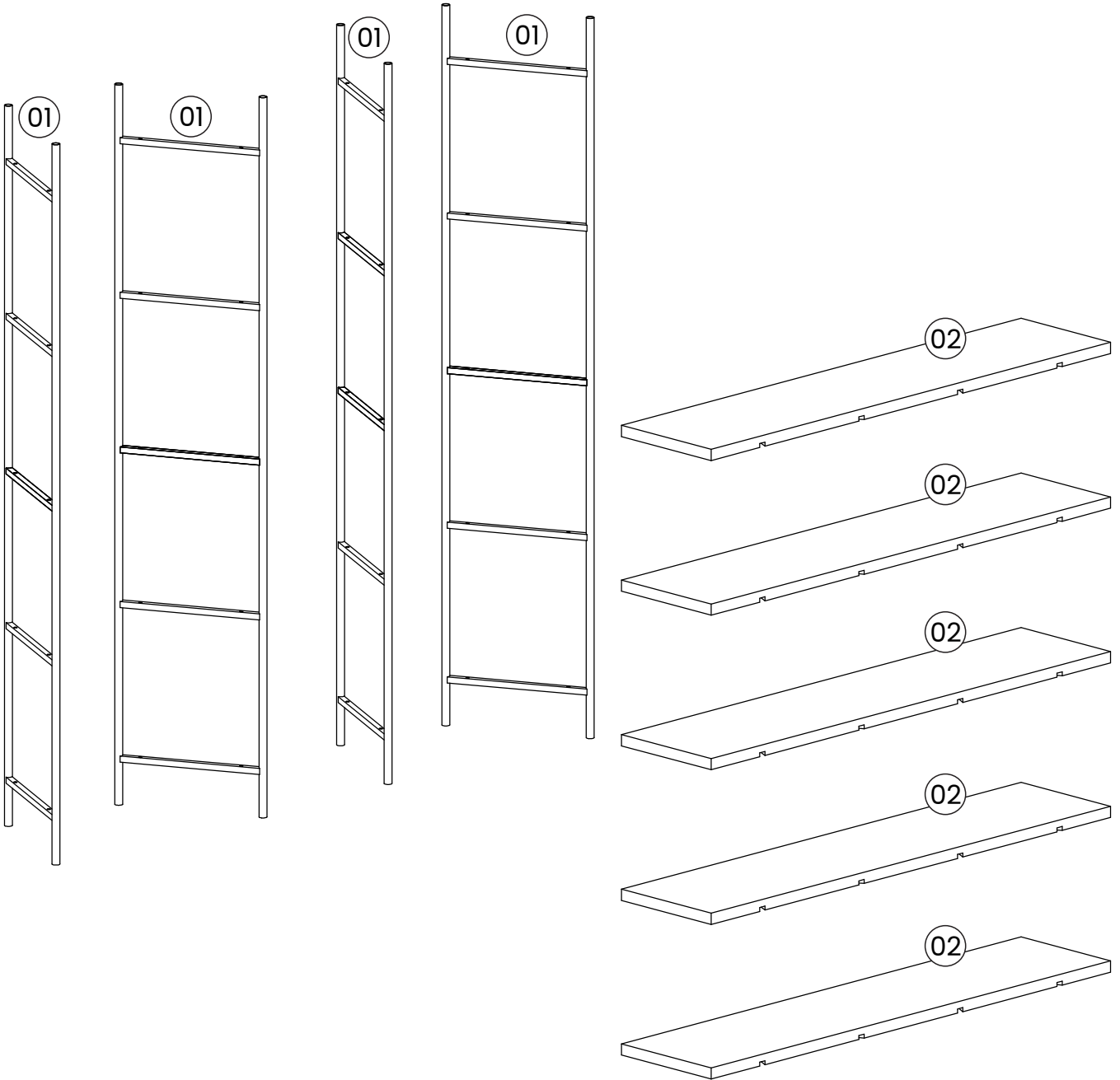
## PLEASE READ BELOW BEFORE BEGINNING ASSEMBLY

- Enlist help from a friend or family member as most items require two people for proper assembly.
- Choose a spacious, open area near where the piece will be located once assembled. It is easier to move parts than to relocate the furniture after it is fully assembled.
- Do not throw away packaging material until assembly is complete.
- Assemble the item on a soft surface, such as cardboard or an old blanket in order to protect the finish from possible dents or scratches.
- Lay out the parts in order and count them twice. In case any parts are missing or damaged, document the problem with pictures and contact support so we can make it right.
- Solid wood furniture may present imperfections such as wood knots, minor splits or cracks which are a natural aspect of the material. Whenever stability of the furniture is not compromised, we recommend customers perform cosmetic touch-ups with wax crayon fillers sold at all major hardware stores.
- It is best to use the tools provided in the box, such as a hex key, because they may be specially sized for the piece of furniture.
- We do not recommend the use of power drills as they can damage your furniture if not used correctly.
- Use a carpenter's square or hardcover book to check angles when assembling drawers and doors. If they are not at 90 degrees, they will not close properly.
- If you have any problems, we are here to help. Just go to [grainwoodfurniture.com/help](https://grainwoodfurniture.com/help).
- See [grainwoodfurniture.com/care-guide](https://grainwoodfurniture.com/care-guide) for suggestions that will help your furniture last for years.



[grainwoodfurniture.com/assembly-troubleshooting](https://grainwoodfurniture.com/assembly-troubleshooting)

**Enjoy your 100% solid wood furniture!**

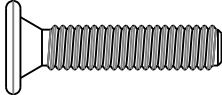
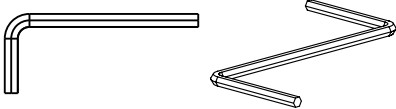

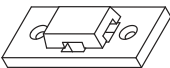



BOX 1		
Part #	Description	Qty.
02	Shelf	5

BOX 2		
Part #	Description	Qty.
02	Shelf Metal Frame	4

HW	Hardware	1
----	----------	---

# HARDWARE LIST

B54		1/4"x25 ø13	40+2
G13		4,0	2
A8		ø3X20mm	2
F8		15x30mm	2
F20		370x7,5mm	1

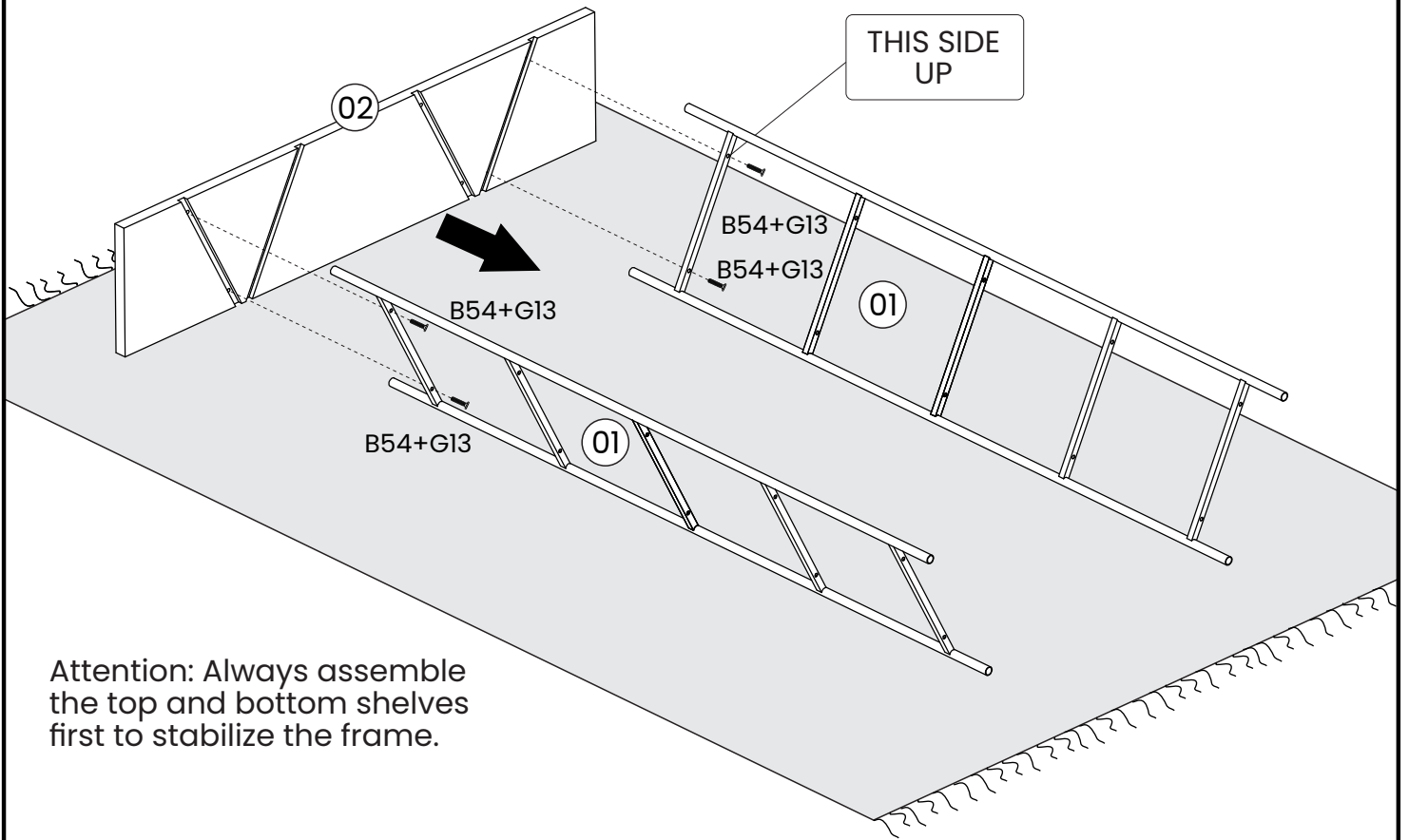
## ATTENTION

Before starting assembly  
please verify the hardware  
set is complete.

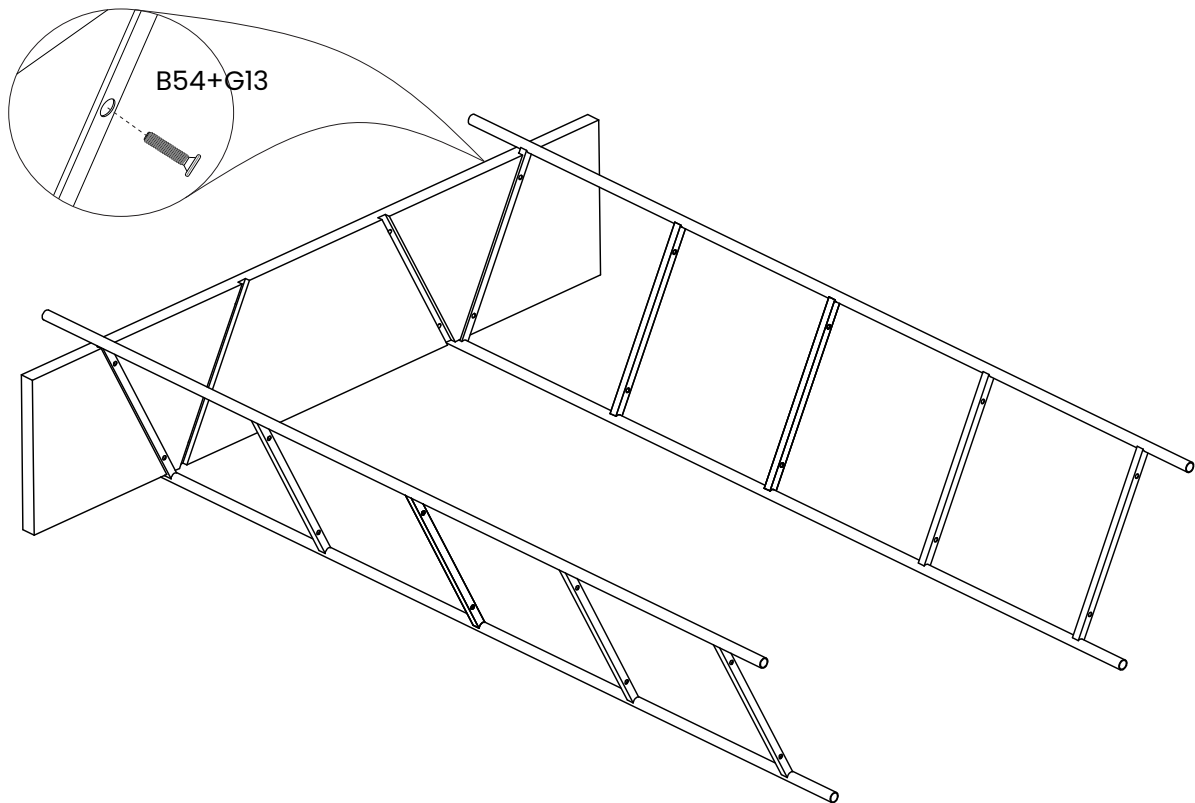
For missing hardware please  
contact us at  
[grainwoodfurniture.com/help](http://grainwoodfurniture.com/help)

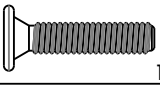
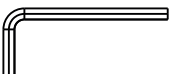
**WARNING:**  
**CHOKING HAZARD**  
Small parts, not for children.  
To be assembled by an adult.

- 1) Tip: Use a rug or cardboard for floor protection.  
Do not fully tighten the bolts.

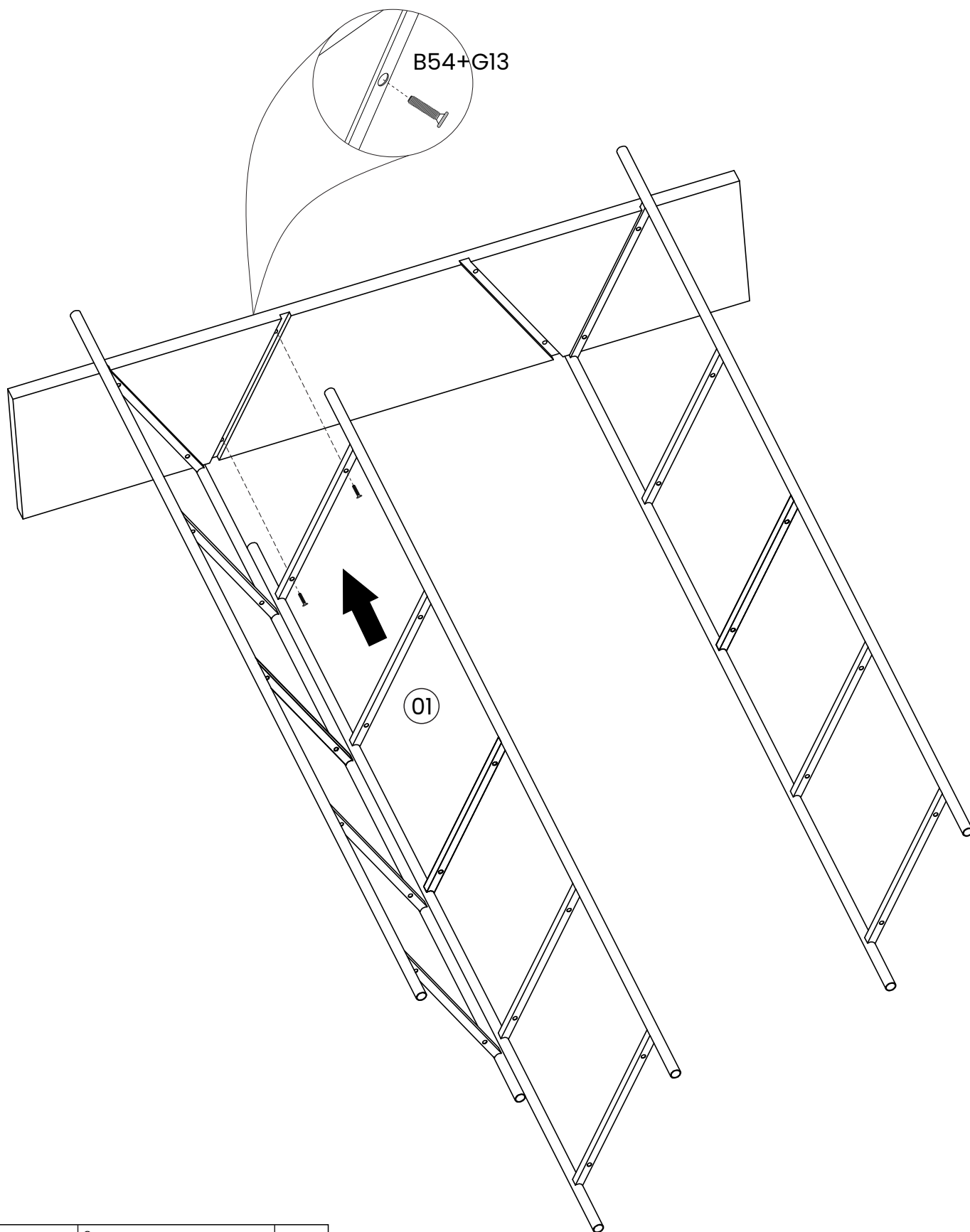




Attention: Always assemble the top and bottom shelves first to stabilize the frame.



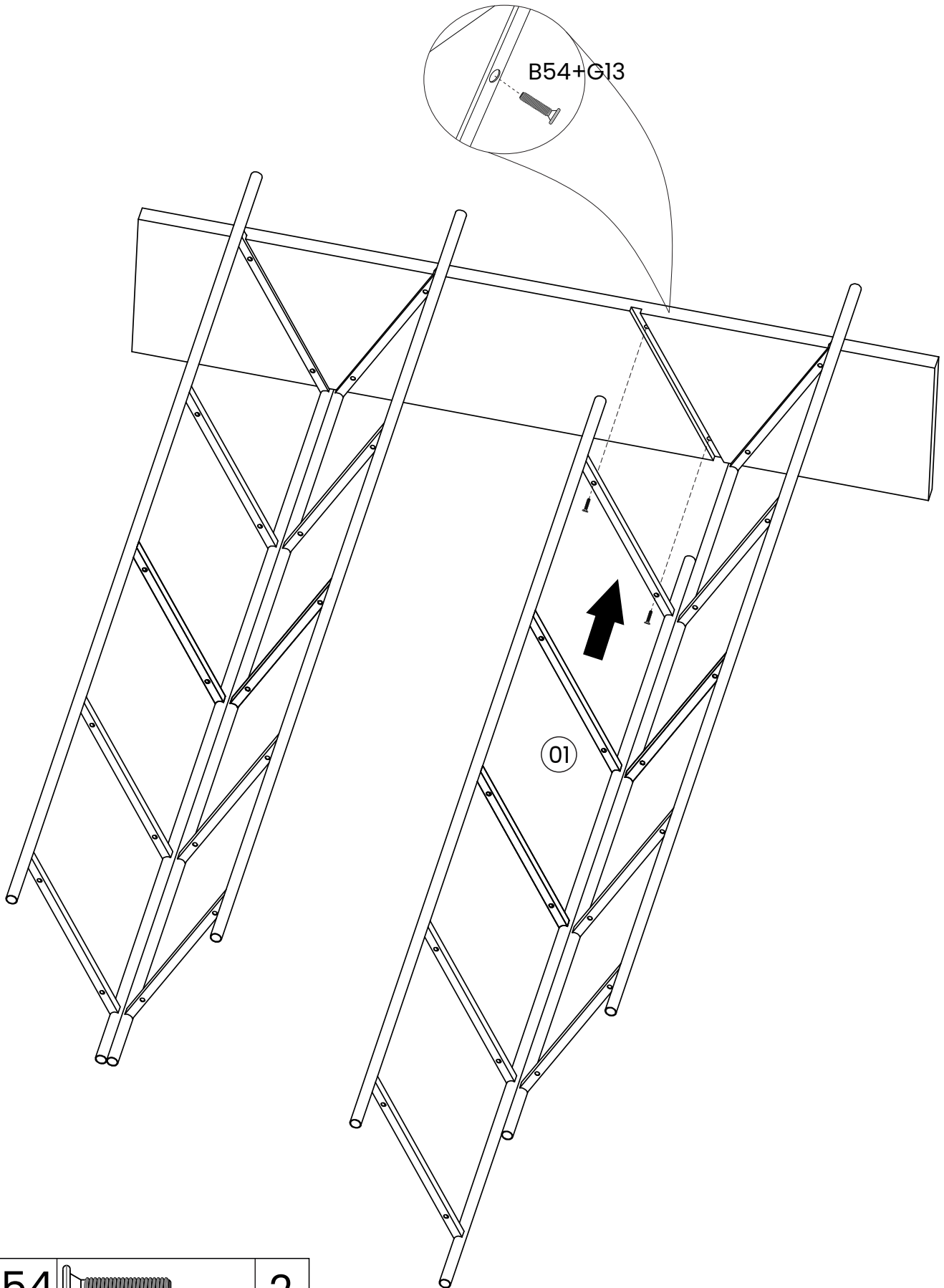
B54	 1/4x25 ø13	4
G13		2



2) Do not fully tighten the bolts.



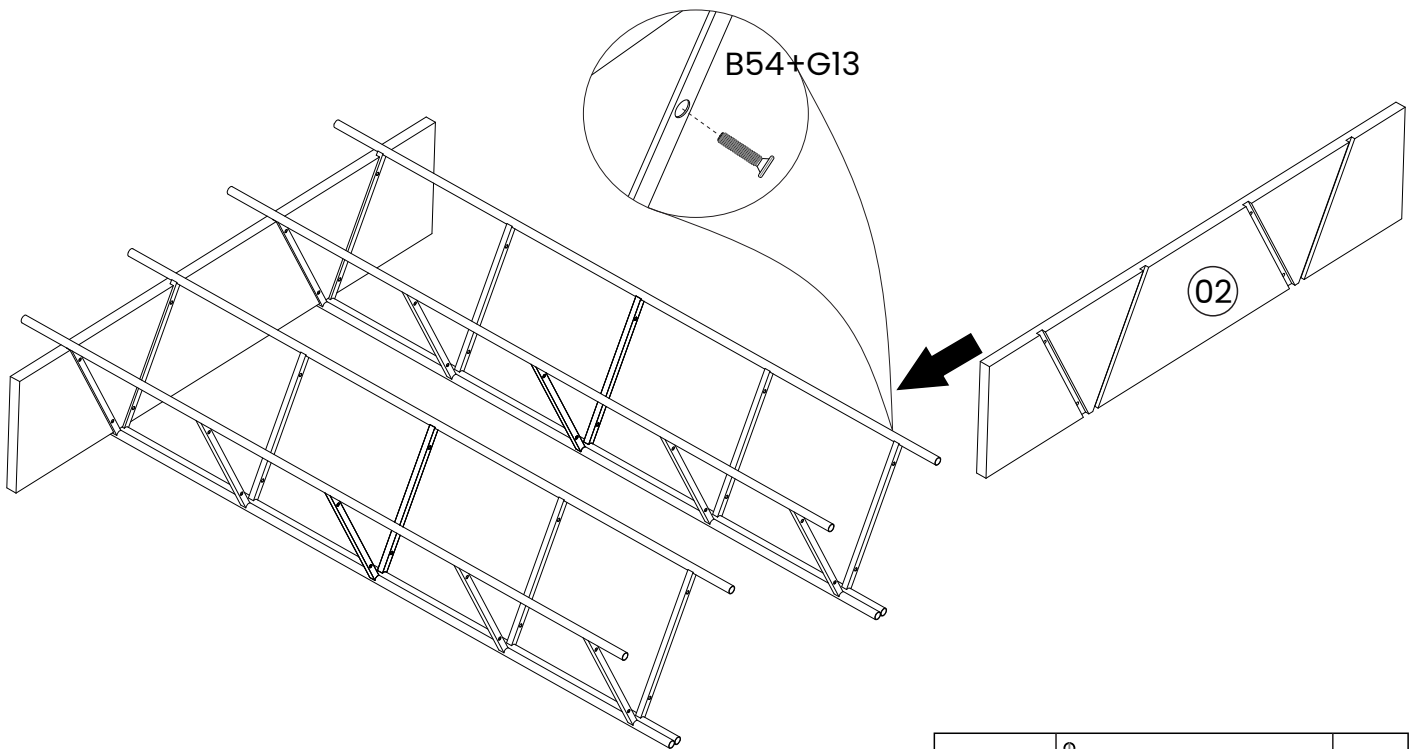
B54	 1/4x25 ø13	2
G13		2


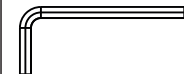
3) Do not fully tighten the bolts.



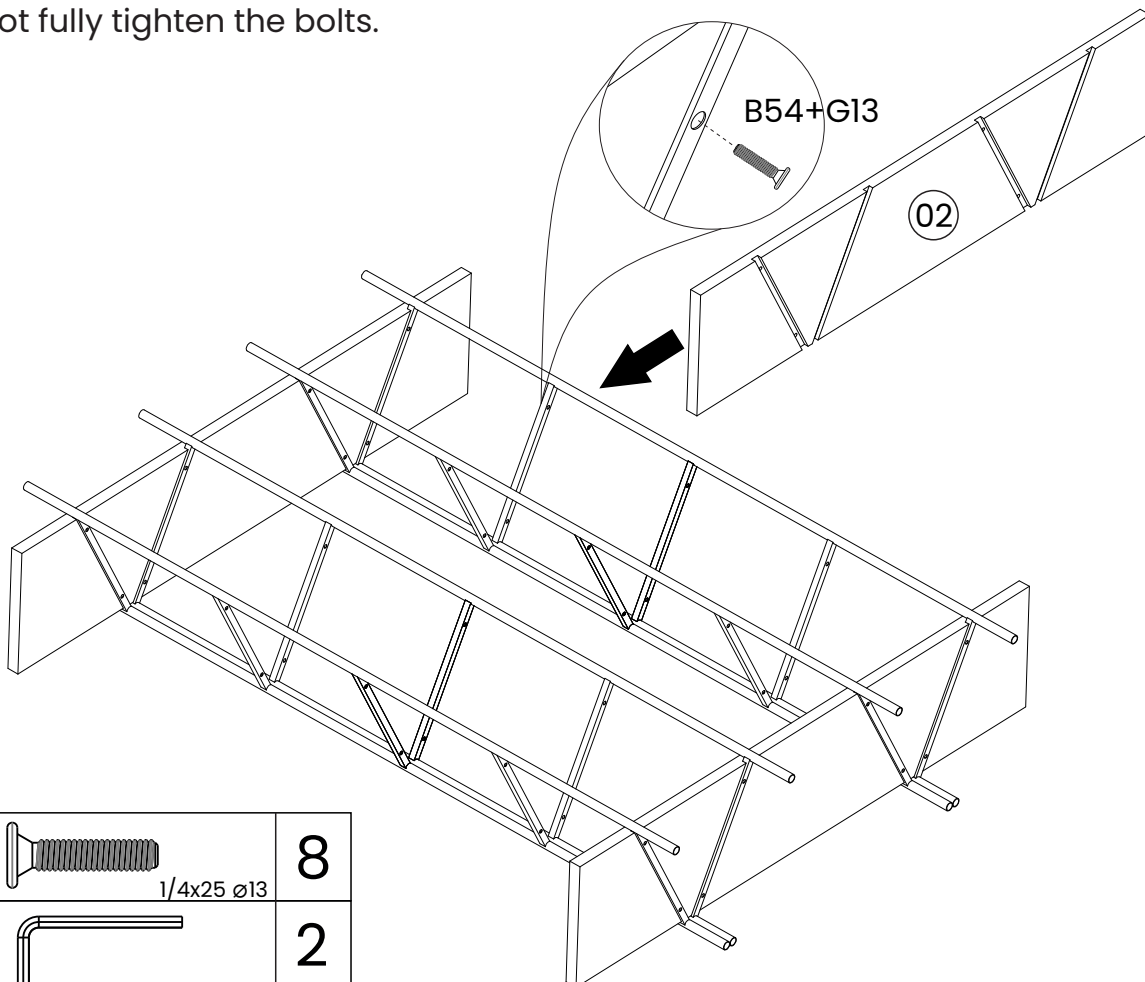
B54	 1/4x25 ø13	2
G13		2



4) Do not fully tighten the bolts.



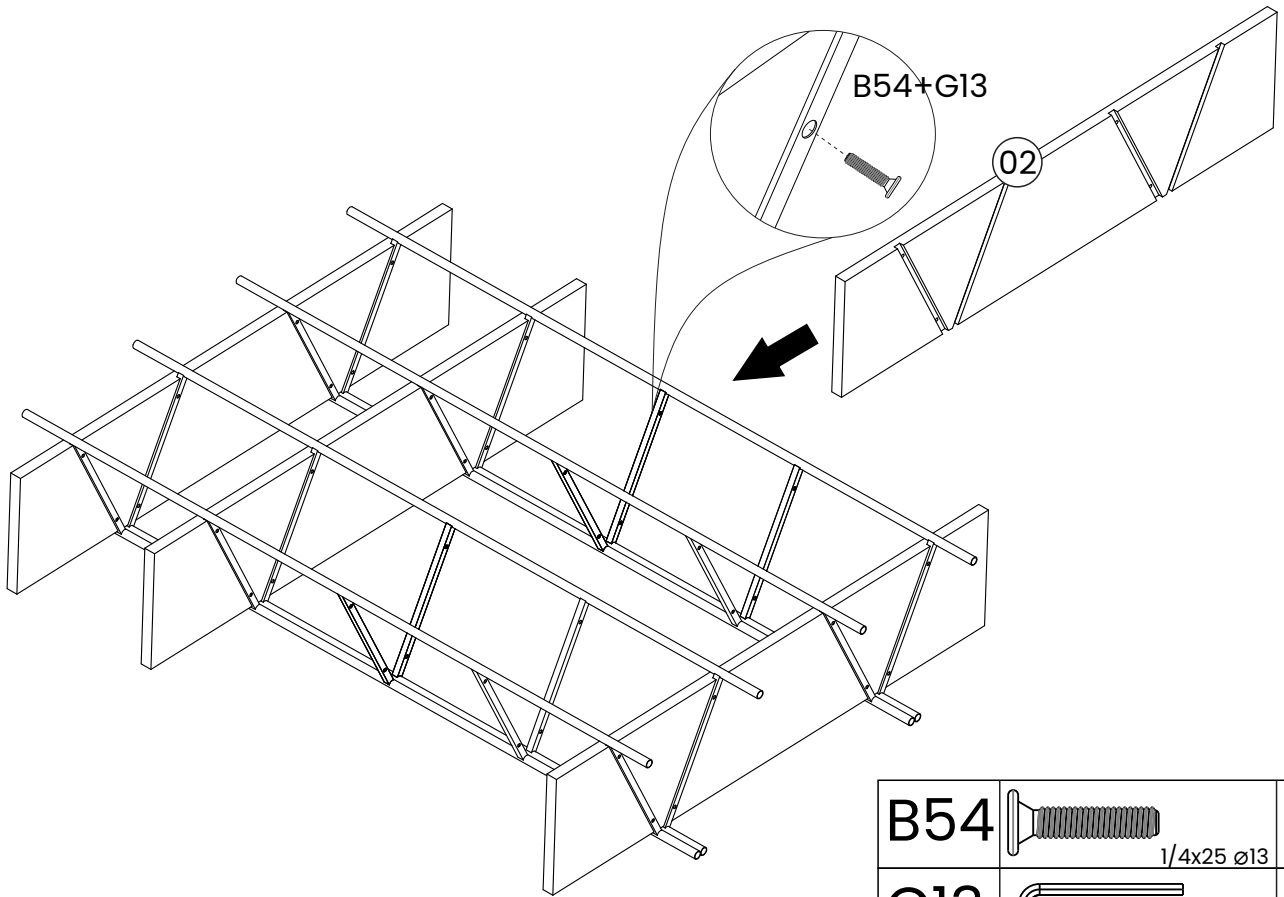
B54	 1/4x25 ø13	8
G13		2

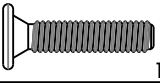
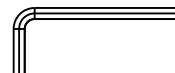
5) Do not fully tighten the bolts.



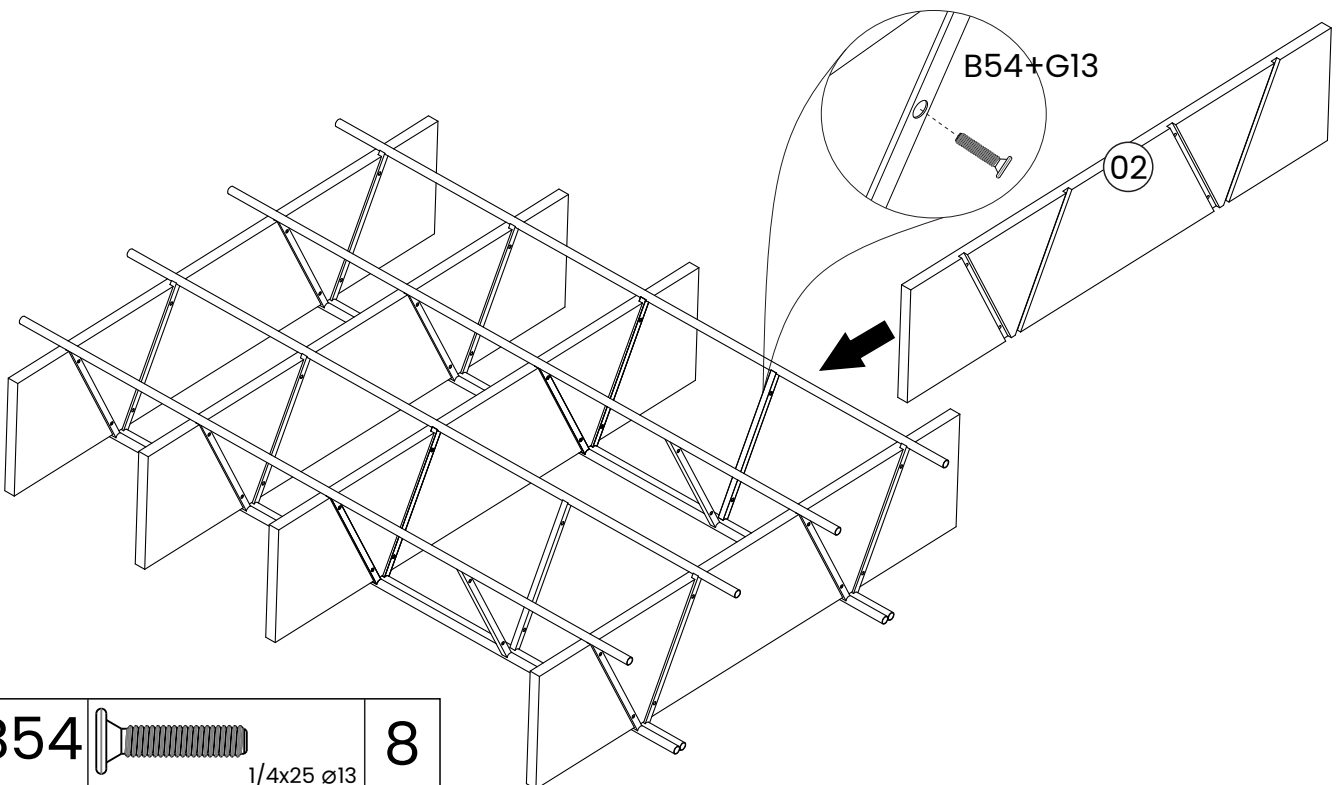
B54	 1/4x25 ø13	8
G13		2

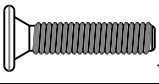

6) Do not fully tighten the bolts.



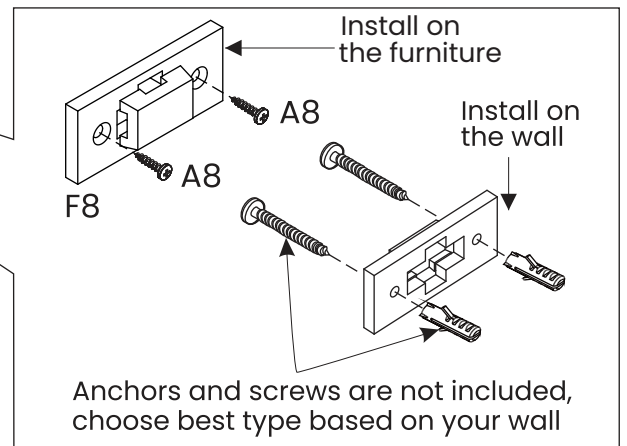
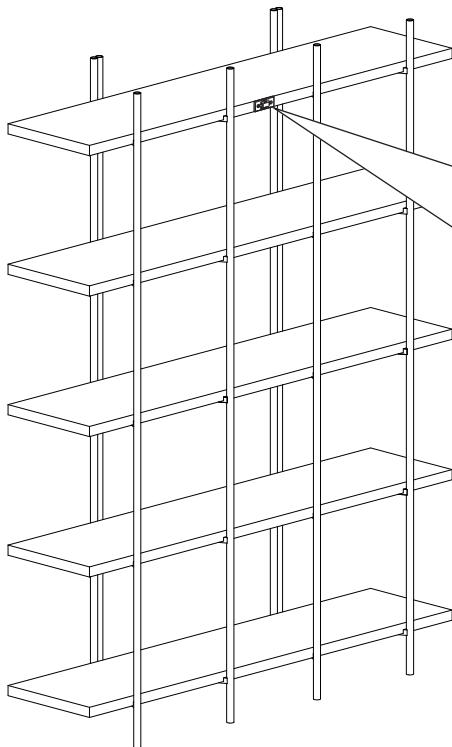
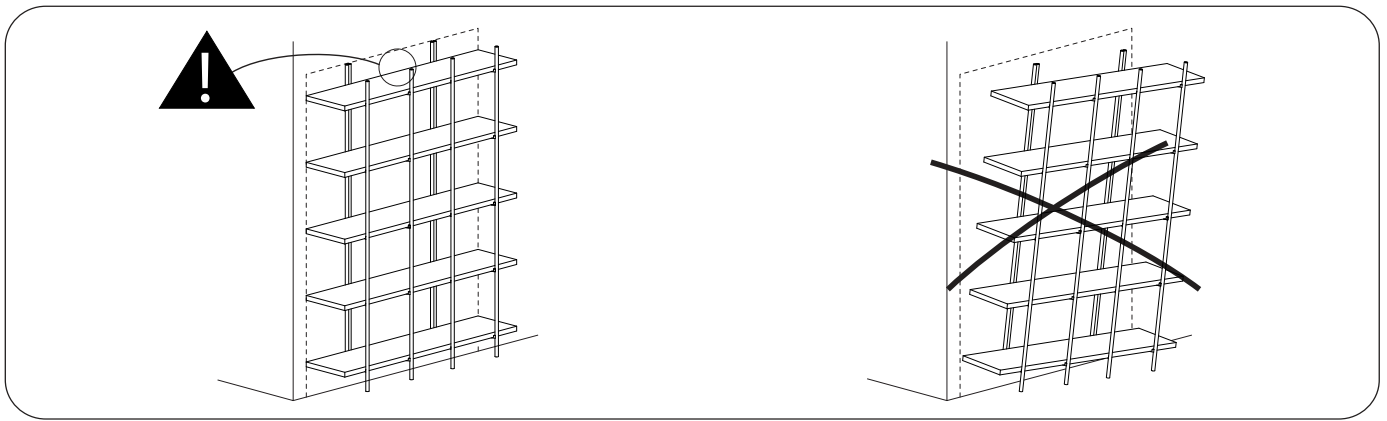
B54	 1/4x25 ø13	8
G13		2


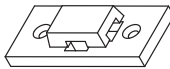

7) Fully tighten all bolts.

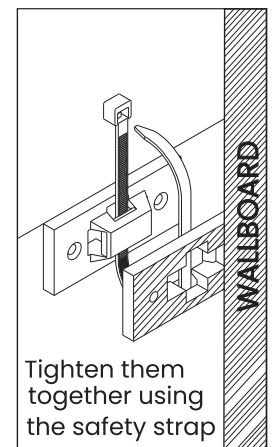
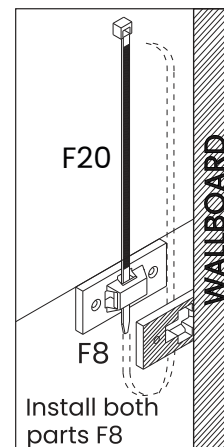


B54	 1/4x25 ø13	8
G13		2

# 8) FURNITURE ANTI-TIPPING RESTRAINT KIT



A8		∅3x20mm	2
F8		15x30mm	2
F20		370x7,5mm	1



## Warning

Injury may result from tipping furniture.  
 This restraint is not a substitute for proper adult supervision.  
 This restraint may provide protection against tipping furniture.  
 Do not allow children to climb on furniture.  
 Failure to detach this restraint before moving furniture may result in injury and damage.