
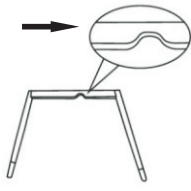







# ASSEMBLY INSTRUCTION

A	B	C	D	E	F	G
	 Open Part=Bottom	 Open Part=Top	 M6×30mm	 M6×50mm	 M6X18mm	 M6
X1	X1	X1	X1	X4	X2	X1

