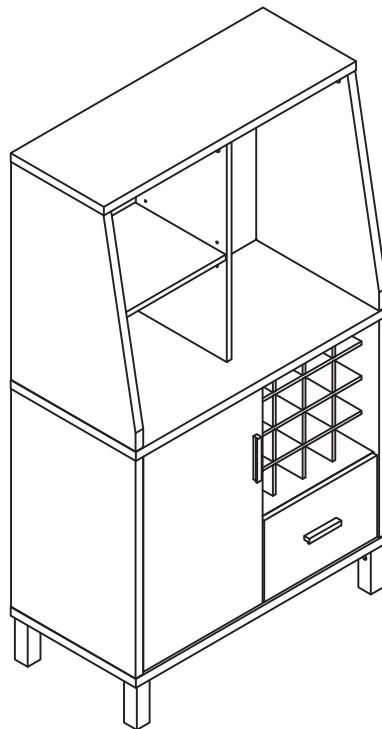





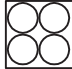





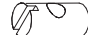
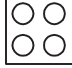


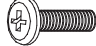






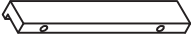



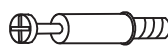




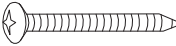
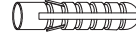

WINE STORAGE BAR



ASSEMBLY INSTRUCTIONS

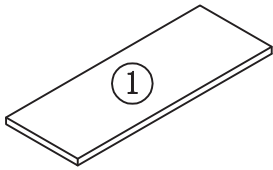
We have designed our furniture with you , the customer in mind . Our clear , easy to follow , step by step instructions will guide you through the project from start to finish .
Feel confident that this will be a fun and rewarding project . The final product will be a quality piece of furniture that will go together smoothly and give years of enjoyment .

Hardware List

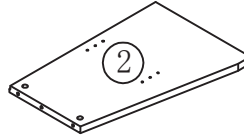
A  L29	B  φ15	C  φ8x25	D  φ22
Large Cambolt(16pcs)	Large Camlock(16pcs)	Short Dowel (18pcs)	Large Sticker (23pcs)
E  φ7x48	F  φ8xφ16x2	G  φ4x40	H  M6x65
Wood screw (8pcs)	Washer(12pcs)	Extra Large Screw(4pcs)	Allen Bolt(4pcs)
I  M4	J  φ10x15	K  φ13	L  φ16
Allen Wrench(1pc)	Barrel Nut (4pcs)	Small Sticker (4pcs)	Foot Pin (4pcs)
M  Nail(60pcs)	N  M6x35	O  Door Catch(1pc)	P  φ3x16
Nail(60pcs)	Flathead bolt (8pcs)	Door Catch(1pc)	Small Screw(2pcs)
Q  φ5x15	R  φ6x30	S  Door catch plate (1pc)	T  φ3x12
Shelf Pin(12pcs)	Long Dowel(3pcs)	Door catch plate (1pc)	Extra Small screw(2pcs)
U  96#	V  M4x22	W  Door Pin (1pc)	X  φ4x30
Handle(2pcs)	Handle screw (4pcs)	Door Pin (1pc)	Large Screw(4pcs)
Y  L20	Z  φ12	A1  197x5x1	B1  12×12×1
Small Cambolt(4pcs)	Small Camlock(4pcs)	ANTI-TIP Strap (1pc)	2pcs)
C1  φ4x25	D1  φ5X40	E1  φ8X40	F1  Glue(1pc)
Roundhead Screw (1pc)	Wall Screw (1pc)	Plastic Anchor (1pc)	Glue(1pc)

Please count and verify all parts before assembly.

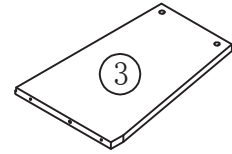
Panel List



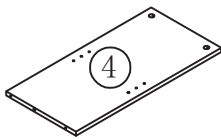
Top(1pc)



Top Left side Panel(1pc)



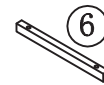
Top Right Side Panel(1pc)



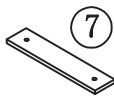
Top Divider Panel(1pc)



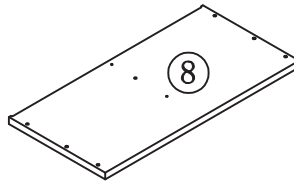
Top Adjustable Shelf(1pc)



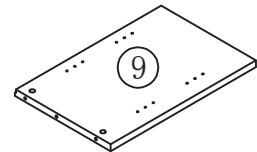
Vertical Glass Holder(4pcs)



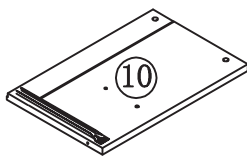
Horizontal Glass Holder(4pcs)



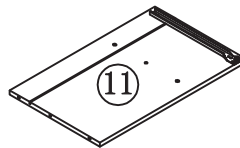
Large Shelf(1pc)



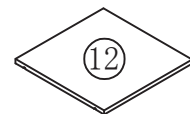
Lower Left Side Panel(1pc)



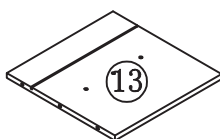
Lower Right Side Panel(1pc)



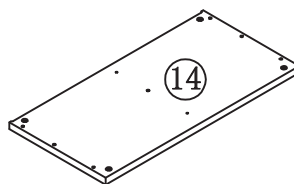
Lower Divider Panel(1pc)



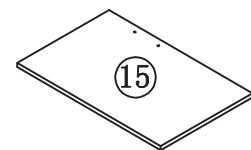
Lower Adjustable Shelf(2pcs)



Right Shelf(1pc)



Bottom Panel(1pc)



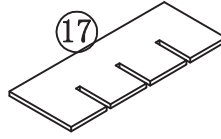
Door Panel(1pc)

Please count and verify all parts before assembly.

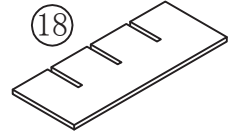
Panel List



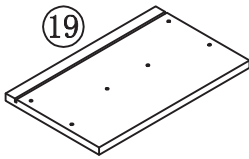
Leg(4pcs)



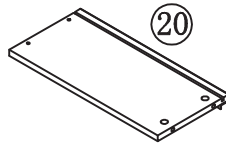
Vertical Bottle Holder



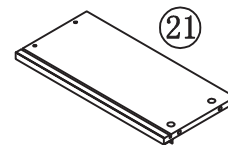
Horizontal Bottle Holder(3pcs)



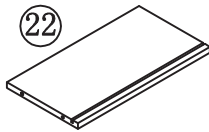
Drawer Front(1pc)



Drawer Left Side Panel(1pc)



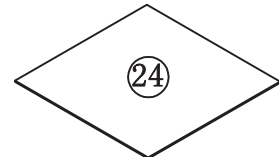
Drawer Right Side Panel(1pc)



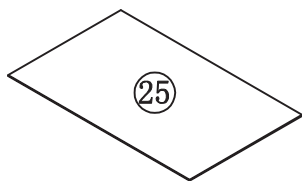
Drawer Back Panel(1pc)



Drawer Bottom Panel(1pc)



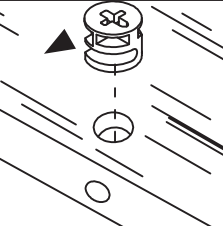
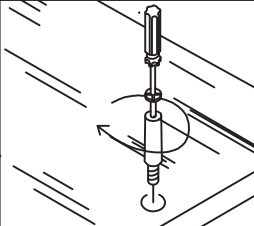
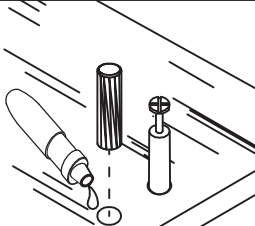
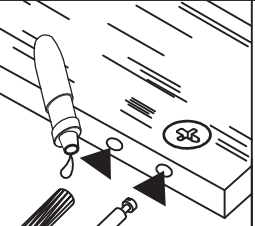
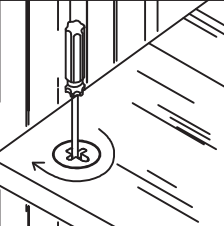
Inside Back Panel(1pc)



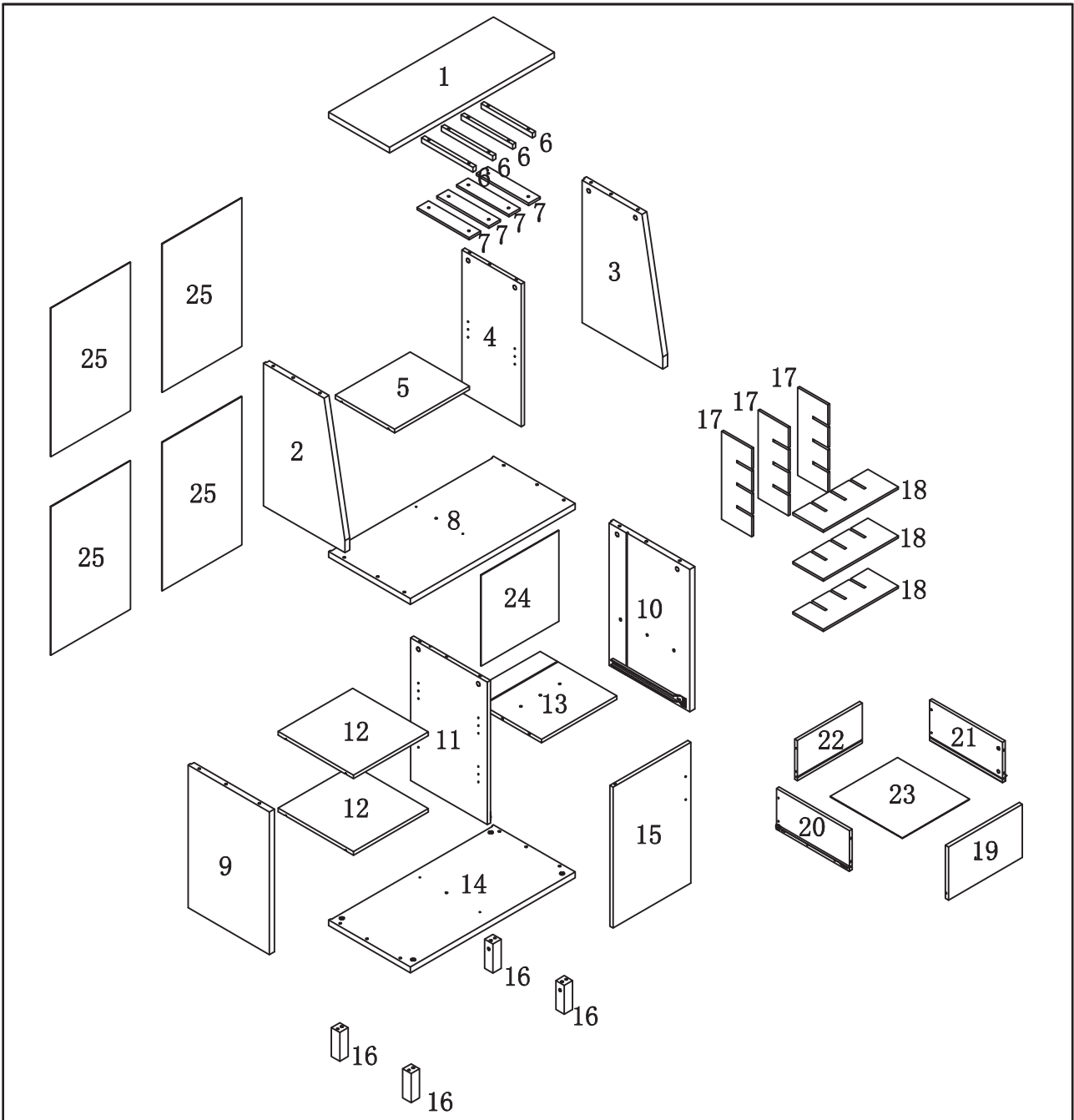
Back Panel(4pcs)

Please count and verify all parts before assembly.

Assembling the unit with camlocks and wood dowels.

				
<p>Insert camlock, camlock must face bolt hole</p>	<p>Gently screw cam bolt into the threaded anchor</p>	<p>lightly glue one end of wood dowel and tap into hole.</p>	<p>lightly glue dowel and connect to second panel by inserting dowels into holes</p>	<p>Gently screw the cam clockwise into locked position. Do not overtighten.</p>

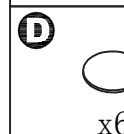
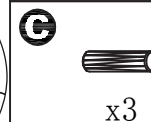
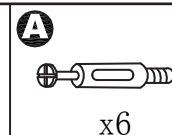
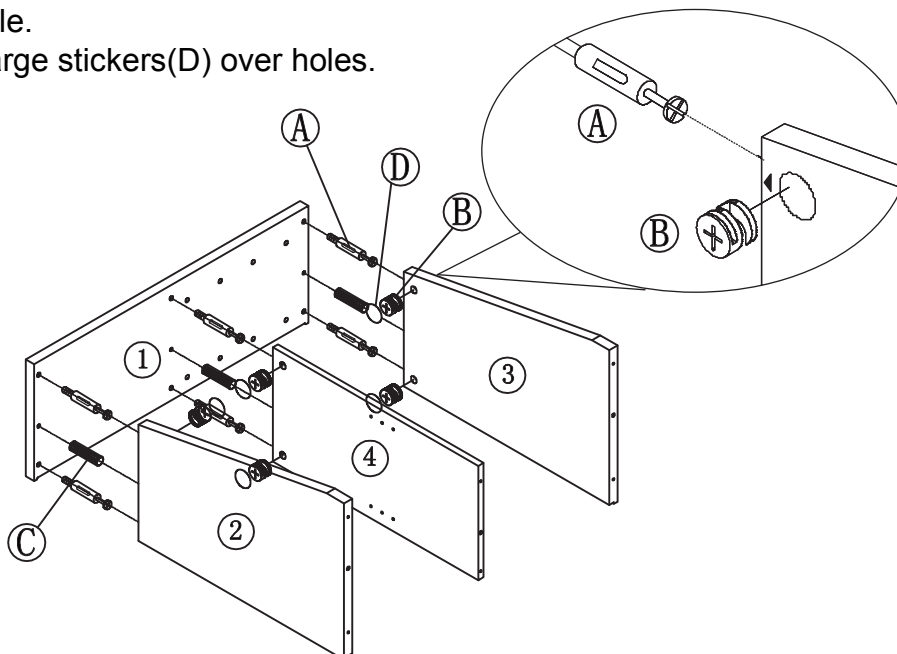
Exploded Views



Step1

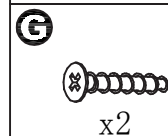
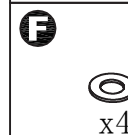
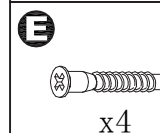
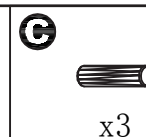
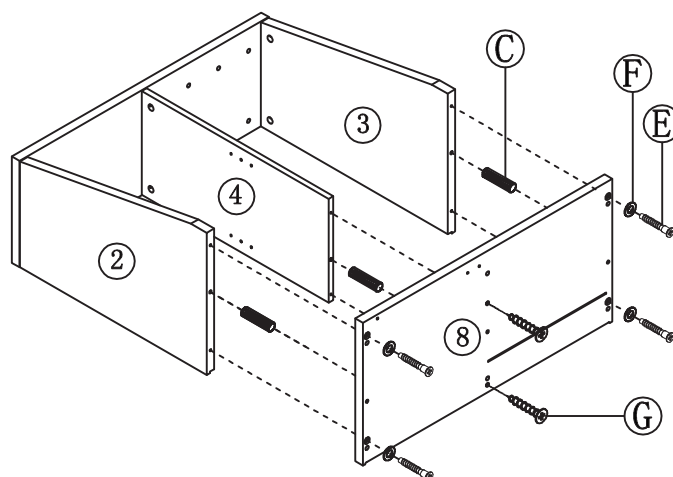
Note: * Place item on a smooth/soft surface such as a towel or carpet.

1. Screw Large cambolts(A) into top(1). Insert short dowels(C) into top(1) .
2. Attach top left side panel(2),right side panel(3), top divider panel(4) to top(1). Gently tighten camlocks(B). Arrow on camlock must face towards cambolt hole.
3. Place Large stickers(D) over holes.



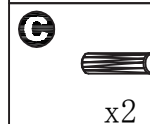
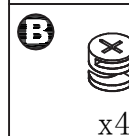
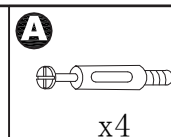
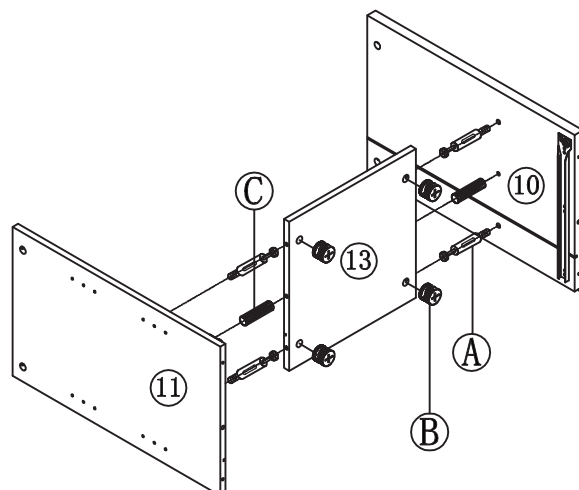
Step2

1. Insert short dowels(C) into side panels(2,3),and divider panel(4).
2. Attach large shelf(8) to side panels(2,3), and divider panel(4) using wood screws(E) , washers(F) and extra large screws(G) as shown.



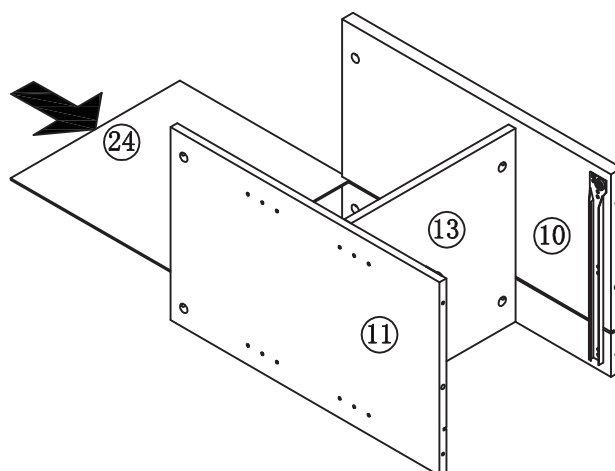
Step3

1. Insert short dowels(C) into right shelf(13). Screw large cambolts(A) into lower right side panel(10), lower divider panel(11).
2. Attach lower right side panel(10) and lower divider panel(11) to right shelf(13) as shown. Gently tighten camlocks(B). Arrow on camlock must face towards cambolt hole.



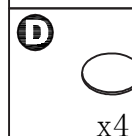
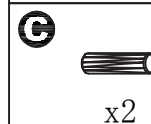
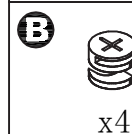
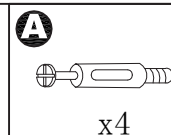
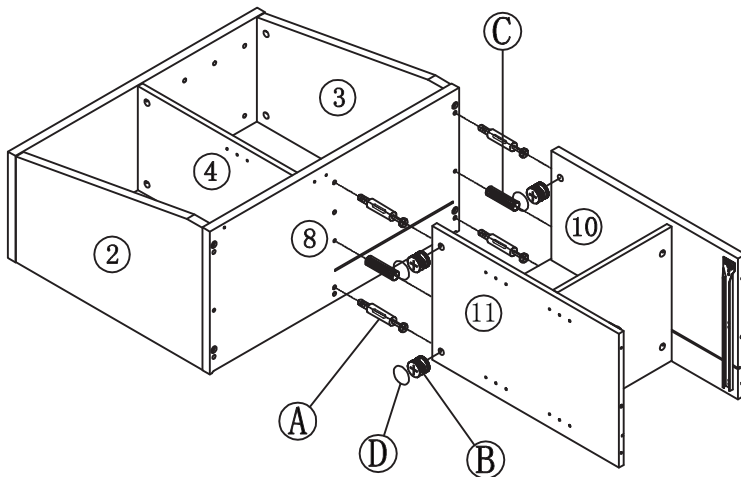
Step4

1. Insert inside back panel(24) into grooves of lower right side panel(10) and lower divider panel(11) as shown.



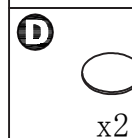
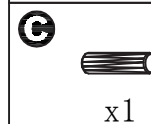
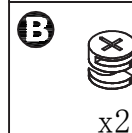
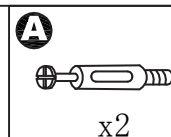
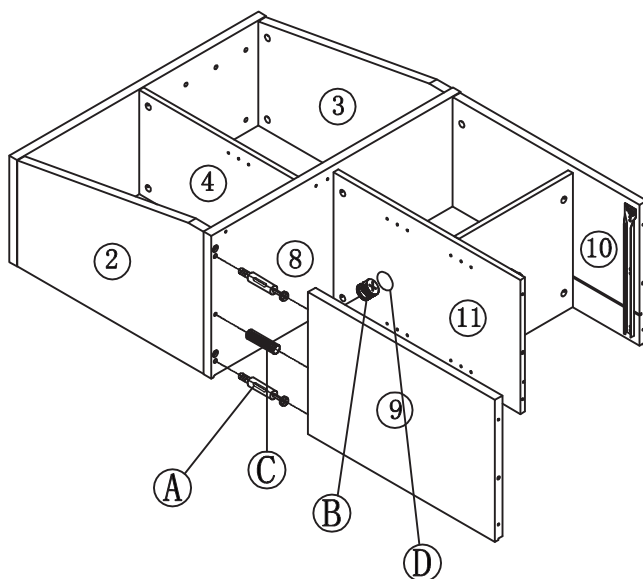
Step5

1. Insert short dowels(C) into large shelf(8). Screw large cambolts(A) into large shelf(8).
2. Attach lower right side panel(10) and lower divider panel(11) to top cabinet body as shown. Gently tighten Large camlocks(B) .
3. Place large stickers(D) over holes.



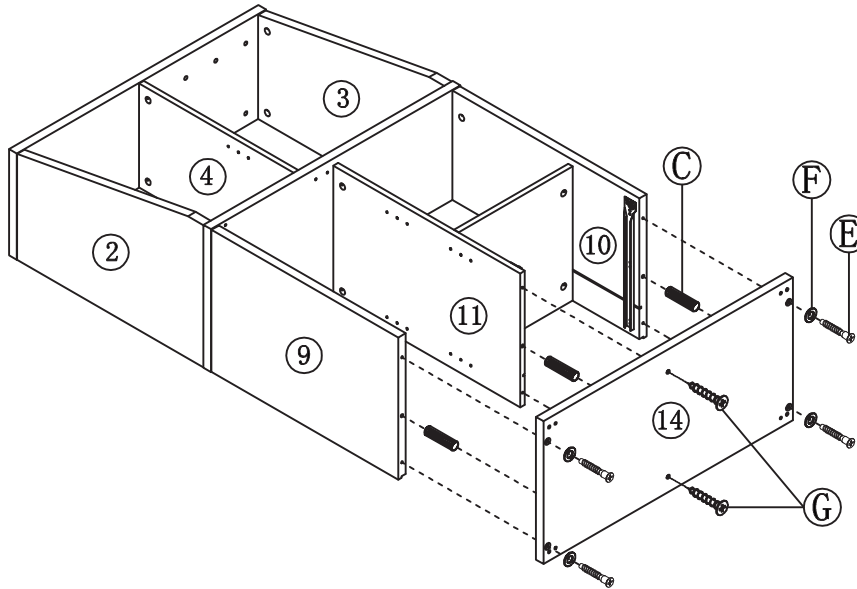
Step6





1. Insert short dowels(C) into large shelf(8), screw large cambolts(A) into large shelf(8).
2. Attach lower left side panel(9) to large shelf(8) as shown. Gently tighten camlocks(B) .
3. Place large stickers(D) over holes.



Step 7

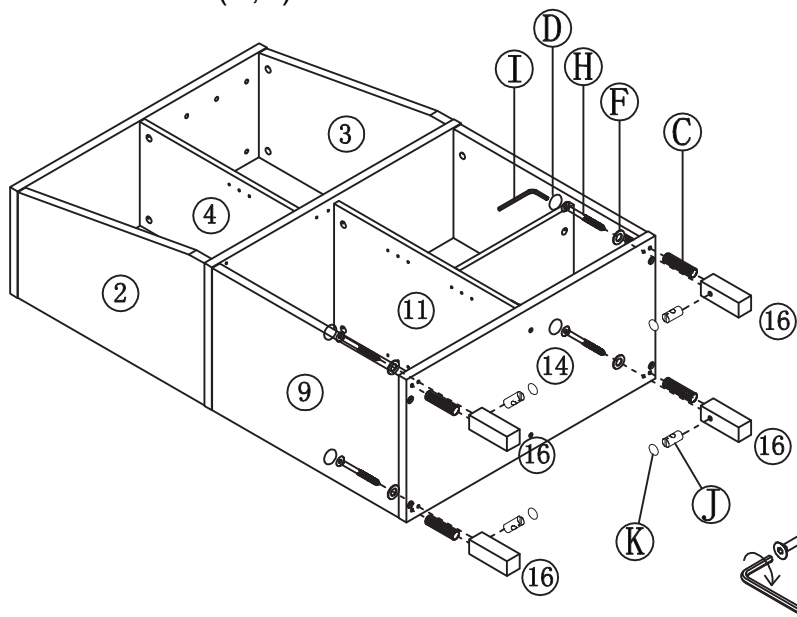
1. Insert short dowels(C) into lower left side panel(9), lower divider panel(11) lower right side panel(10).
2. Attach bottom panel(14) to cabinet body using wood screws(E), washers(F) and extra large screws(G) as shown.










C		x3
E		x4
F		x4
G		x2

Step 8

1. Insert short dowels(C) into bottom panel (14), Insert barrel nuts(J) into legs(16), make sure hole in barrel nut faces towards allen bolt hole.
2. Attach legs(16) to bottom panel(14) using allen bolts(H), washers(F) and allen wrench(I) as shown.
3. Place stickers(D,K) over holes.



J		x4	C		x4
K		x4	D		x4
			F		x4
			H		x4
			I		x1

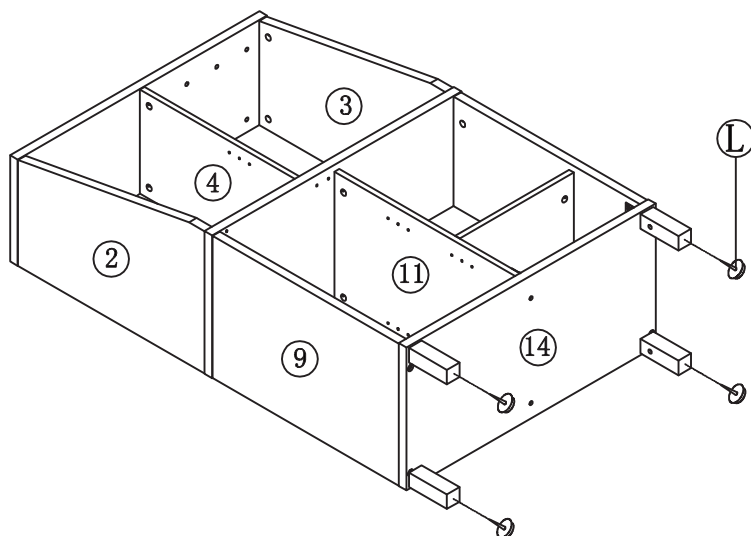
Step9

1. Knock foot pins(L)into bottom of legs(16) as shown.

L



x4



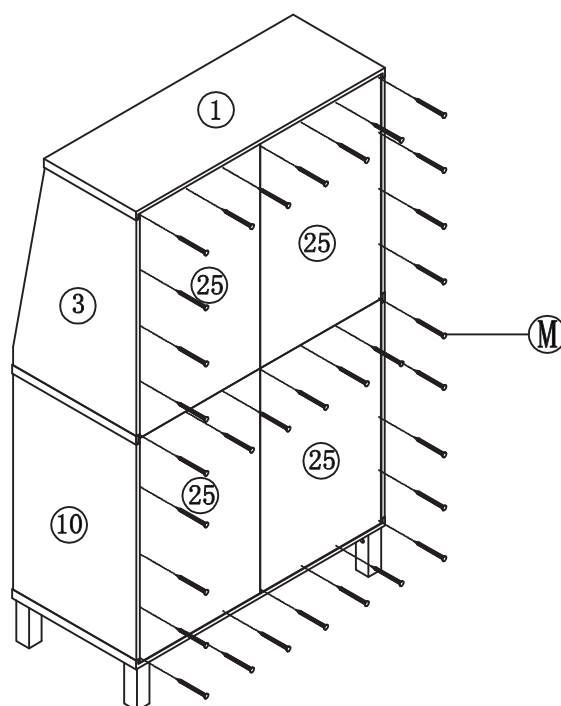
Step10

1. Attach back panels(25) onto the back of cabinet body using nails(M).

M

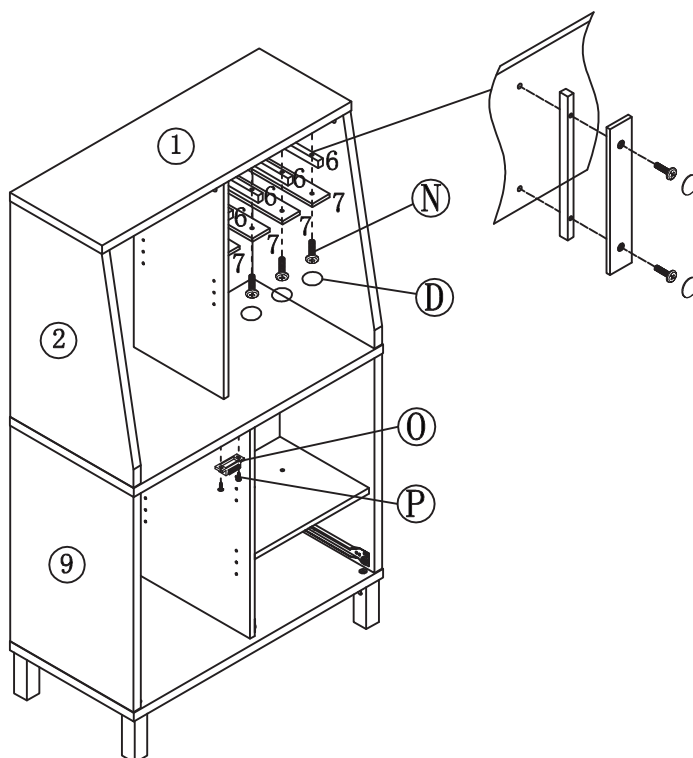






x60



Step 11

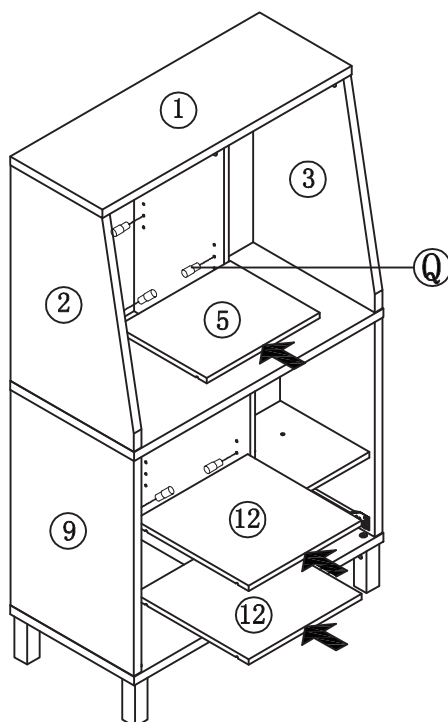
1. Attach glass holders(6,7) to top(1) using flathead bolt(N). Place stickers(D) over holes.
- 2 Attach Door catch to large shelf using small screw(P) as shown.

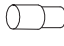


D		x8
N		x8
O		x1
P		x2

Step 12

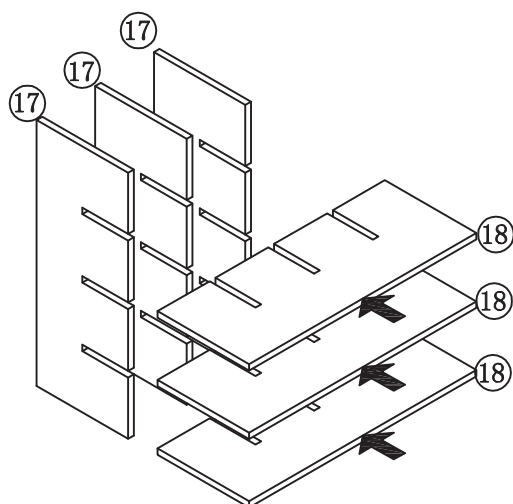
1. Insert shelf pins(Q) into predrilled holes as shown.
2. Place adjustable shelves(5,12) on shelf pins(Q)



Q		x12
----------	---	-----

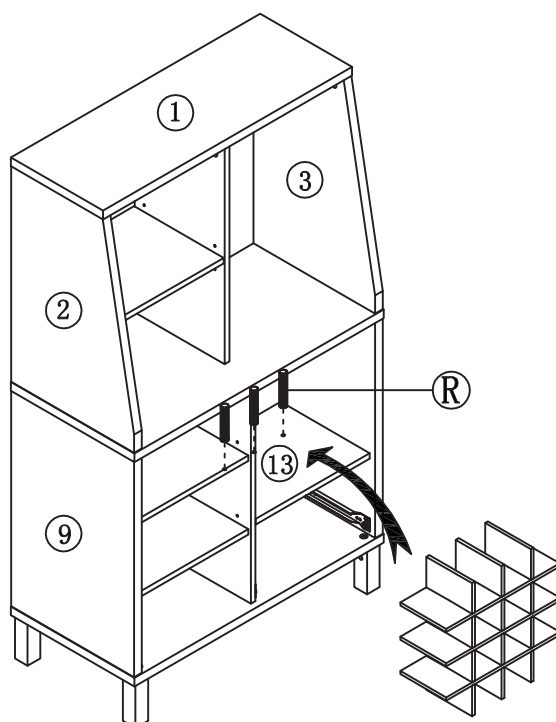
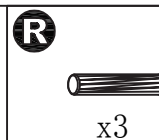
Step 13

1. Attach bottle holders (17, 18) together by cross grooves..



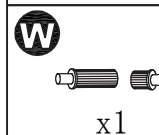
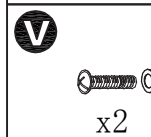
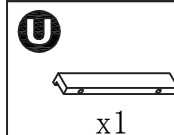
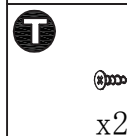
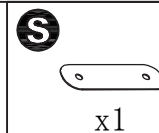
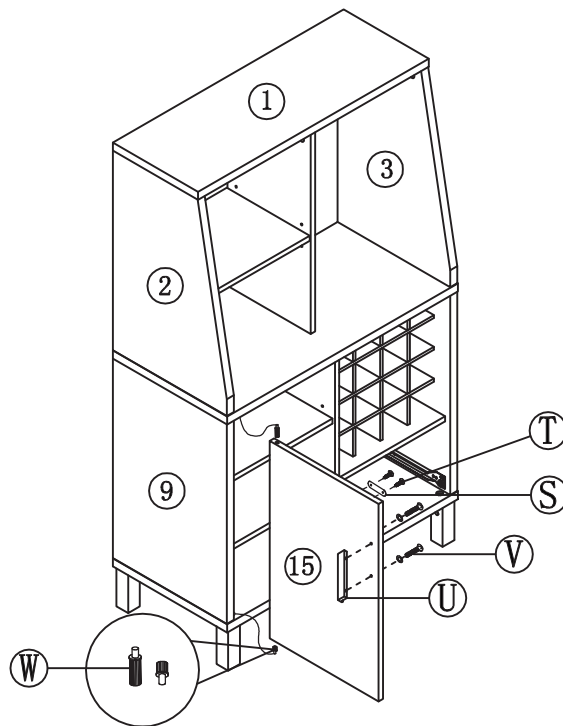
Step 14

1. Insert long dowel (R) into right shelf (13) as shown.
2. Slide bottle holder in.



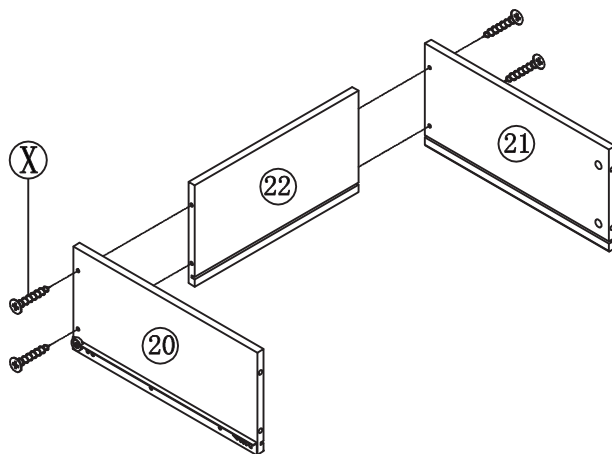
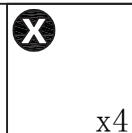
Step 15

1. Insert door pin(W) into door panel(15). Put door panel into cabinet as shown.
2. Attach door catch plate(S) to door panel(15) using extra small screws(T)
3. Attach handle(U) to door panel(15) using handle screws(V).



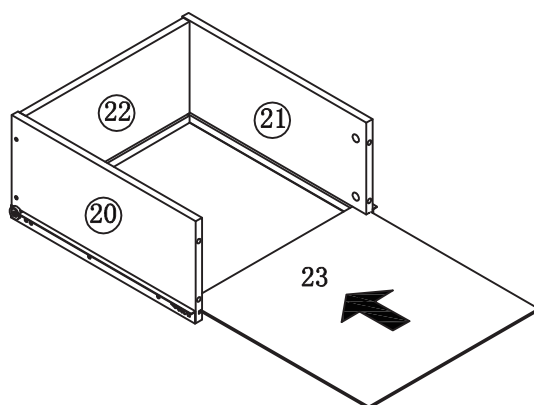
Step 16

1. Attach drawer side panels(20,21) to drawer back panel(22) using large screws(X).



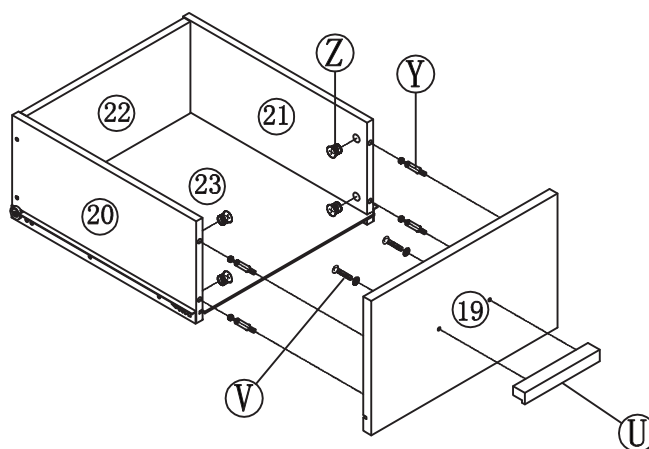
Step17

1.Insert drawer bottom panel(23) into grooves of drawer side panels and drawer back panel(20,21,22)



Step18

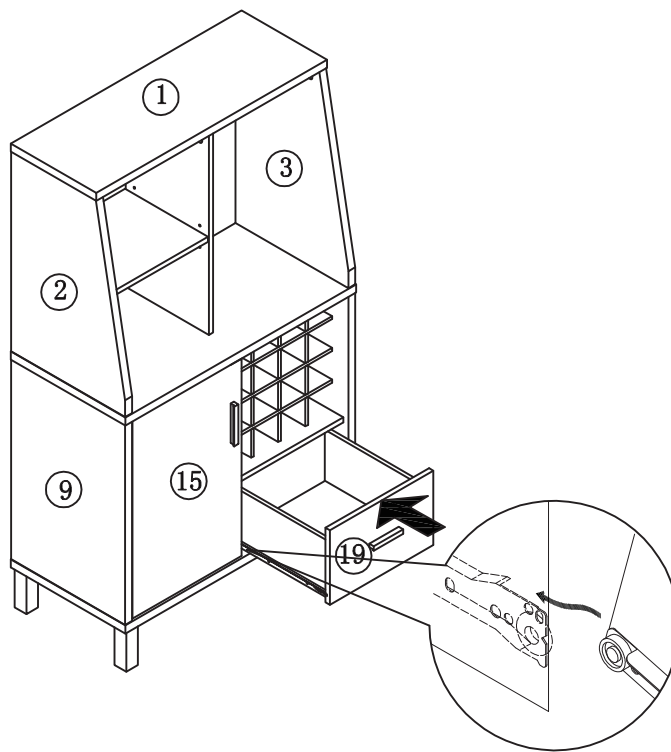
1. Screw Small cambolts(Y) into drawer front panels(19).
- 2.Attach drawer front panel(19) to drawer side panels(20,21).Gently tighten small camlocks(Z) .
3. Attach handle(U) to drawer front panel(19) using handle screws(V) and gently tighten as shown.



U		x1
V		x2
Y		x4
Z		x4

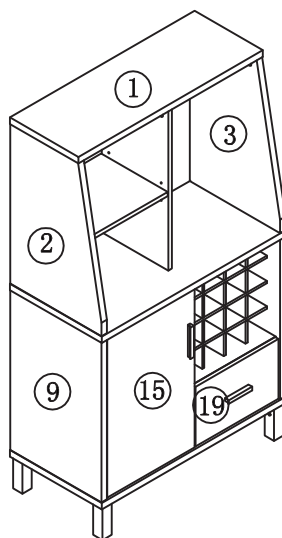
Step 19

1. Slide drawer into cabinet body as shown.



Step 20

Enjoy Your Newport Wine Storage Bar!

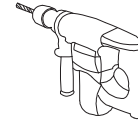


ANTI-TIPPING STRAP INSTRUCTION

HARDWARE (INCLUDED) :

TOOLS NEEDED (NOT INCLUDED) :

Q  DRYWALL ANCHOR $\phi 8 \times 40$ X 1PC



DRILL & DRILL BIT

N  METAL BRACKETS $12 \times 12 \times 1$ X 2PCS



LIGHT HAMMER

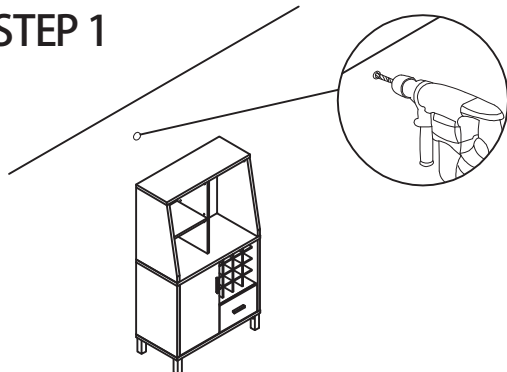
P  DRYWALL SCREW $\phi 5 \times 40$ X 1PC

M  STRAP $197 \times 5 \times 1$ X 1PC

O  FLATHEAD SCREW $\phi 4 \times 25$ X 1PC

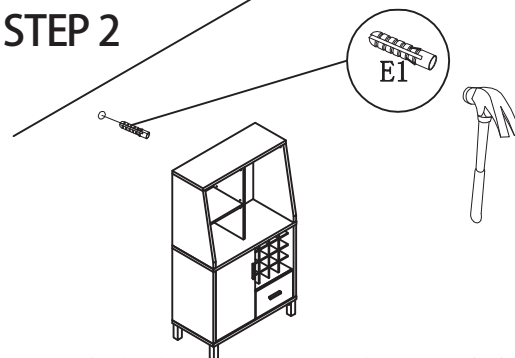
Note: Hardware included only compatible with standard drywalls.

STEP 1



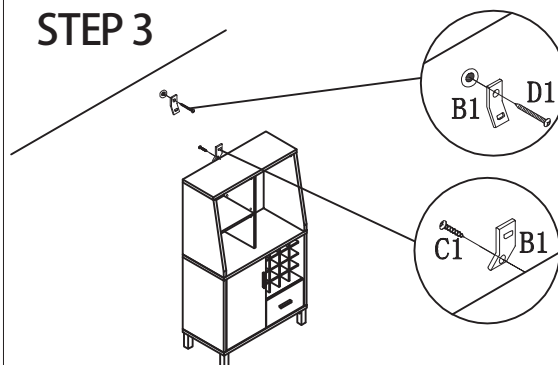
1. Find spot on wall 1" below top of item.
2. Using a drill bit slightly thinner than anchor, drill hole into drywall.

STEP 2



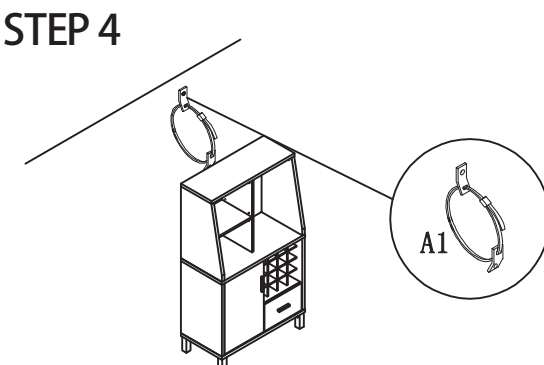
1. Use a light hammer to tap anchor into hole.
2. Anchor should fit snugly. If hole is too small, drill again to increase hole size. Do not force anchor into wall.

STEP 3



1. Insert drywall screw into metal bracket and into drywall anchor.
2. Insert flathead screw into second metal bracket and into back of item along top edge.

STEP 4



1. Insert strap thru bracket attached to wall, then thru bracket on item, and into head of strap.
 2. pull lightly til strap stops.
- Assembly is complete.