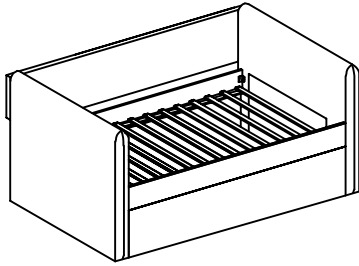


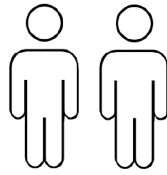
ASSEMBLY INSTRUCTION



+ Do Not Use Power Tools



+ Suggested Adults



NOTE:

- 1 Read instructions cover to cover.
- 2 Save all packaging until assembly is completed.

1 IMPORTANT SAFETY INFORMATION

Do not assemble the product if any of the following parts arrived damaged:

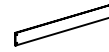
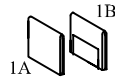
- Part # - Side Rails
- Part # - Center Support Bar
- Part # - Support Legs
- Part # - Slats

2 IMPORTANT ASSEMBLY INFORMATION

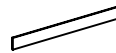
Assembly Step Ensure the side rail bracket is fully hooked onto bolt loosely threaded with both washers on the OUTSIDE of the bracket first, then proceed to fully tightening all 4 corners.

+ Parts Included

- ① Arm (2 of pcs) ② Back Panel (1 of pc) ③ Slat 13 Pcs (1 of pc)



- ④ Front Side Rail (PU) (1 of pc) ⑤ Back Side Rail (1 of pc) ⑥ Trundle Front Panel (PU) (1 of pc)



- ⑦ Trundle Back Panel (1 of pc) ⑧ Trundle Side Panel (2 of pcs) ⑨ Trundle Slat 13 Pcs (1 of pc)



- ⑩ Wooden Block (4 of pcs)

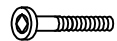


+ Hardware Included

- A Allen Key M5 x 70mm (1 of pc) B Allen Key M4 x 65mm (1 of pc) C CSK M3.5 x 16mm (24 of pcs)



- D CSK M4 x 32mm (64 of pcs) E JCBB M8x20mm (16 of pcs) F JCBC M6x50mm (4 of pcs)

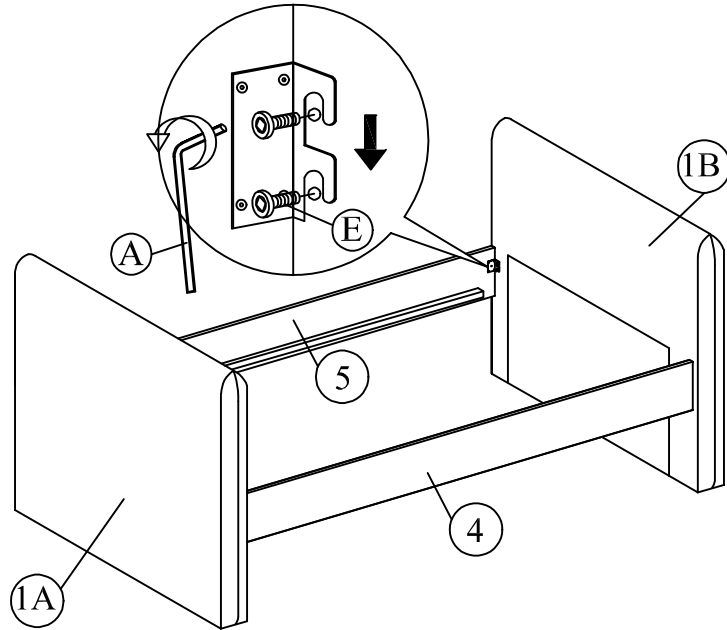


- G Roller (6 of pcs) H Spring Washer (4 of pcs) I Flat Washer (4 of pcs)

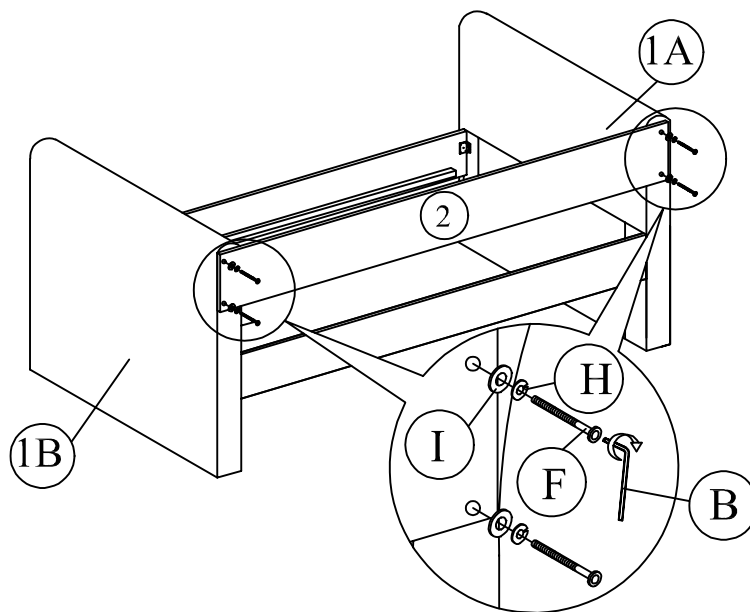


ASSEMBLY INSTRUCTION

①



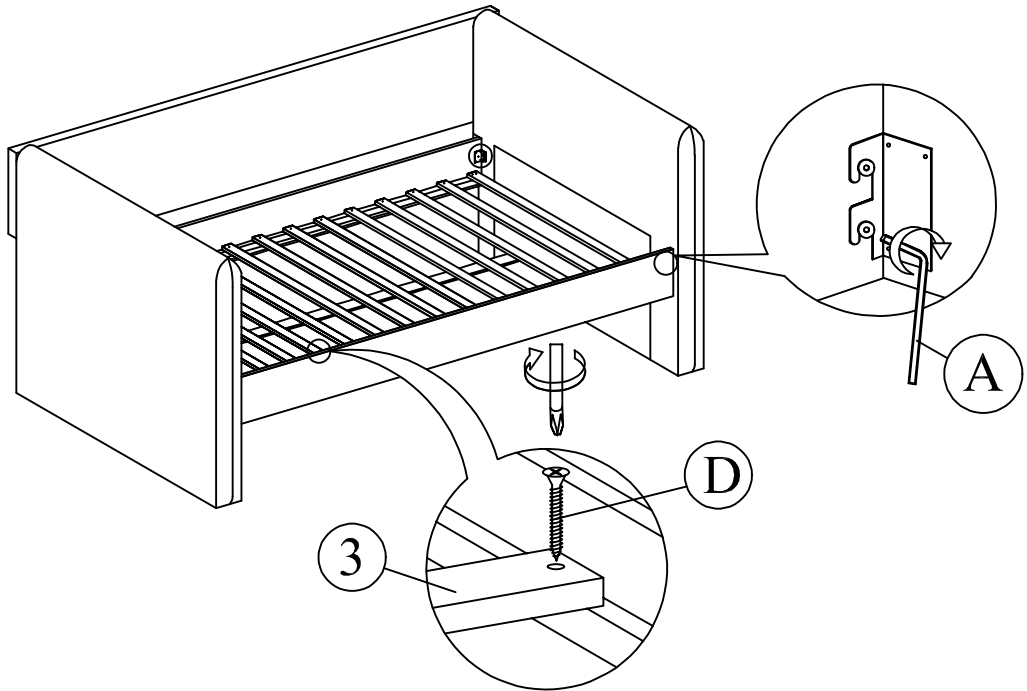
②



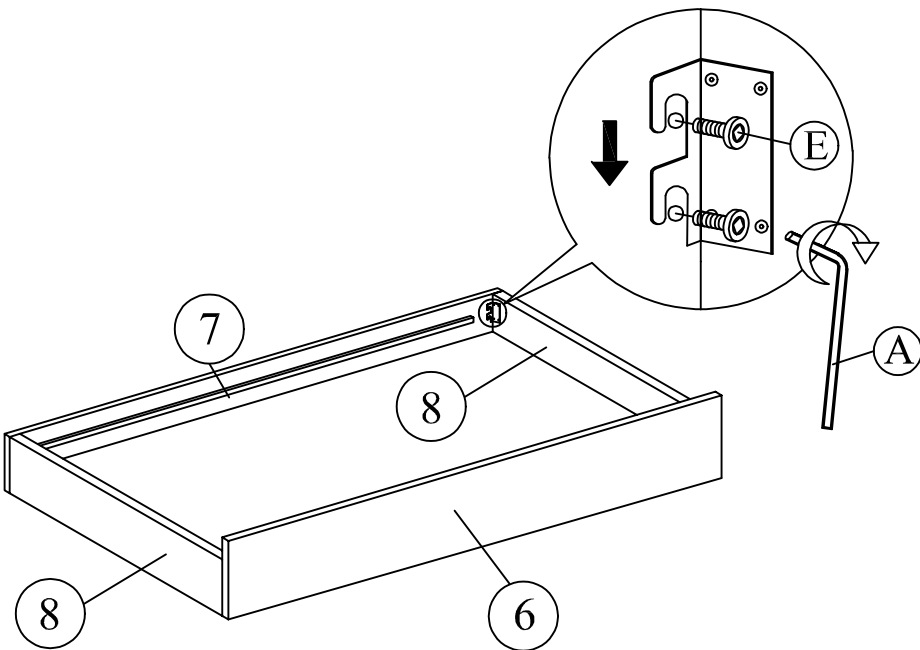
BACK VIEW

ASSEMBLY INSTRUCTION

3

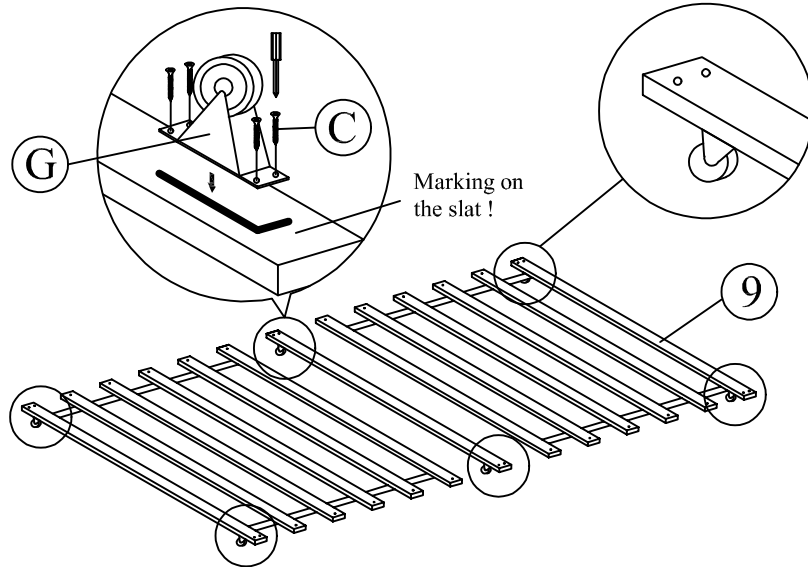


4

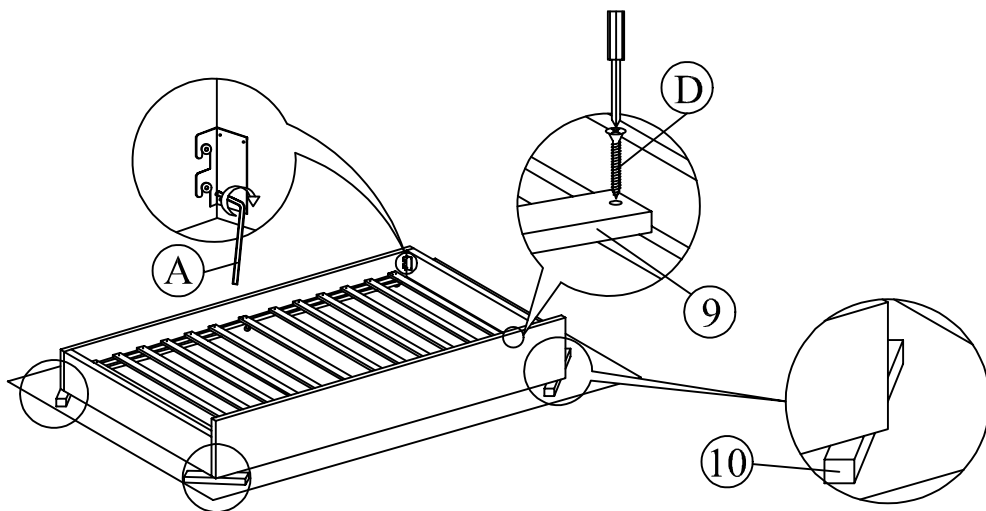


ASSEMBLY INSTRUCTION

5

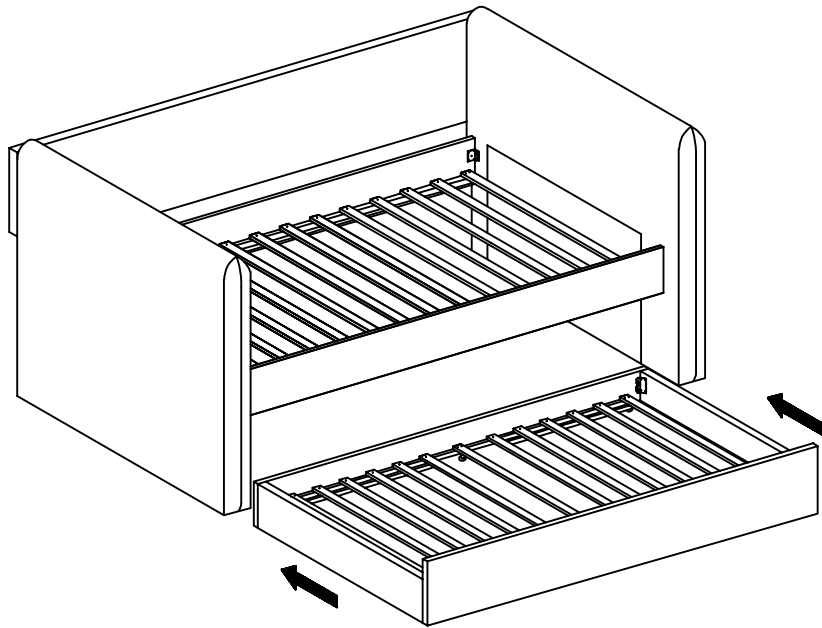


6



ASSEMBLY INSTRUCTION

7



8

