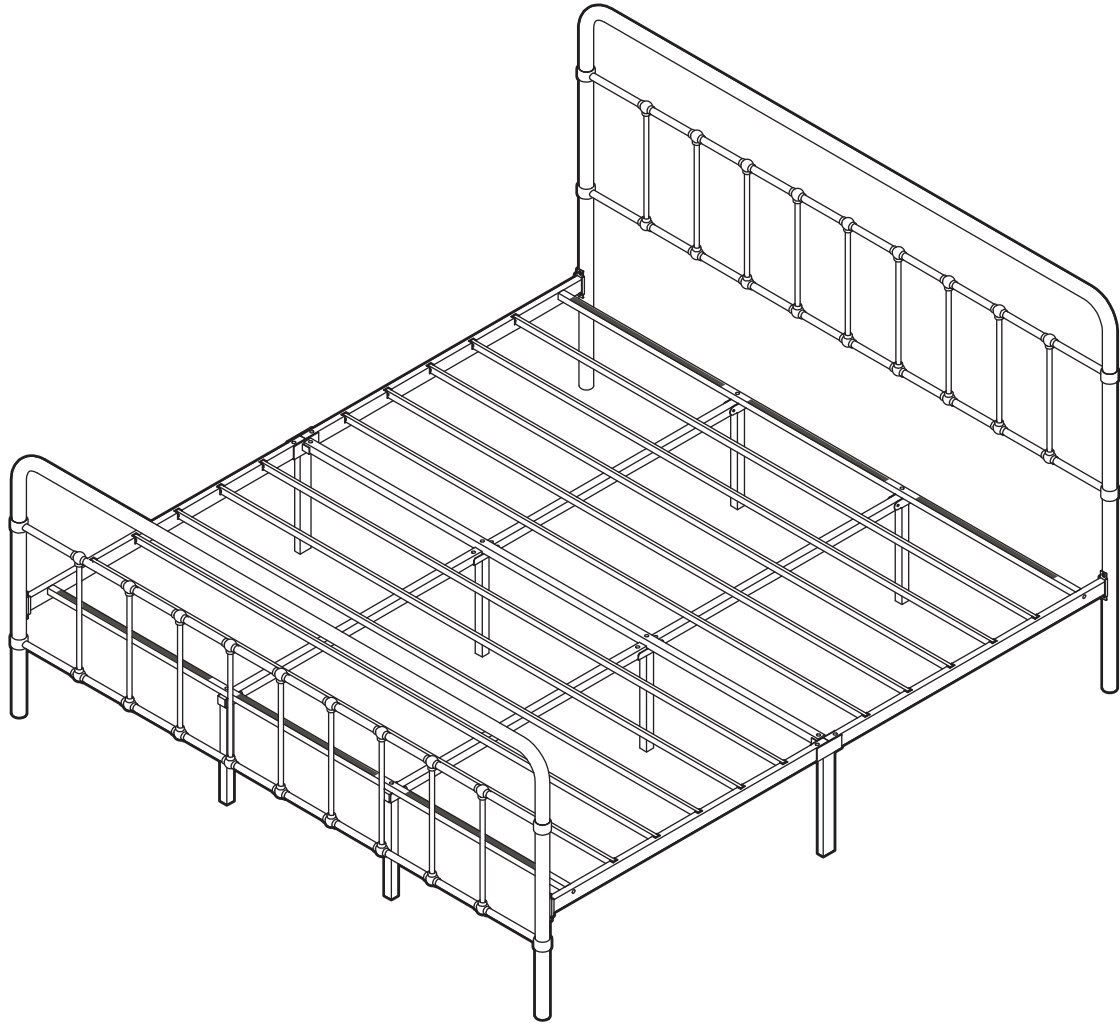


BED FRAME

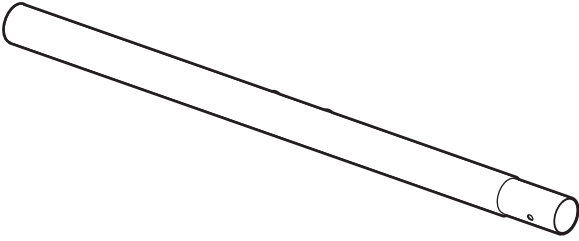
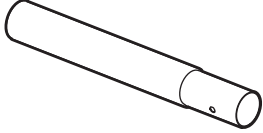
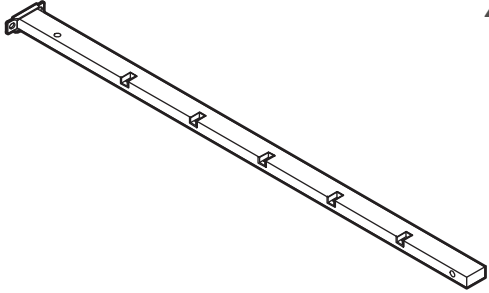
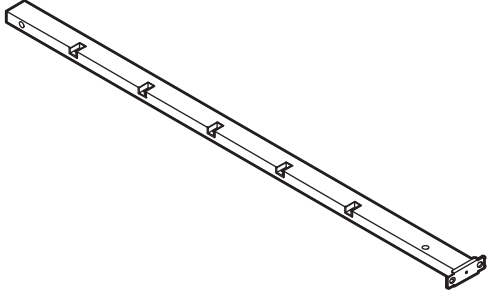
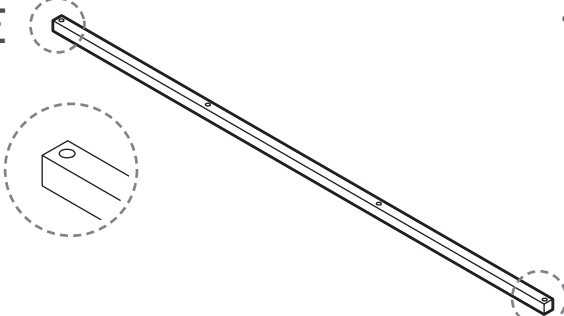
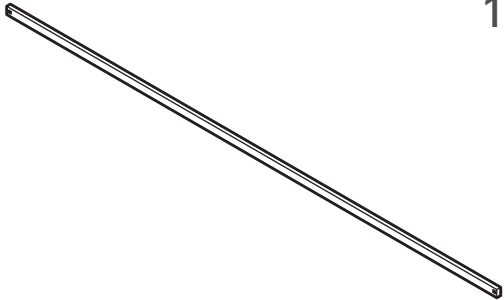
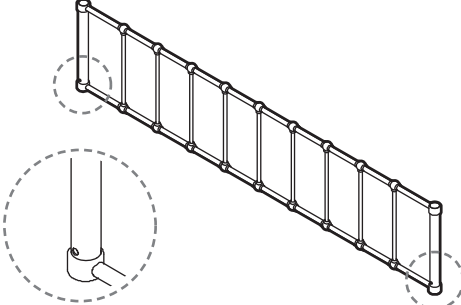
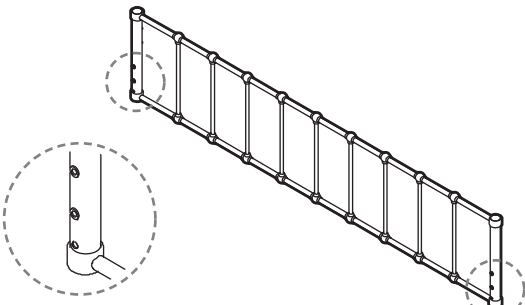
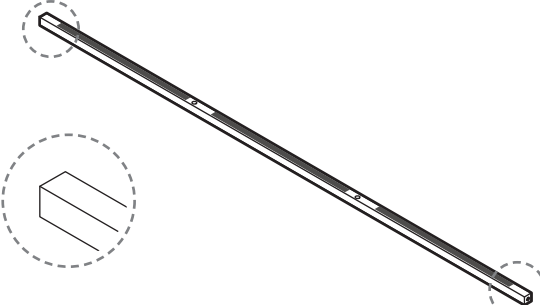
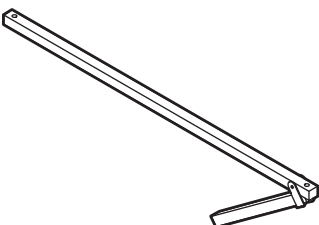
ORIGINAL INSTRUCTION MANUAL

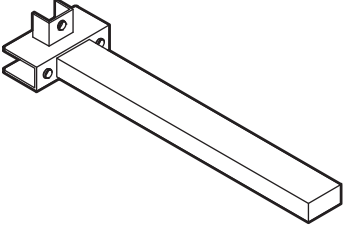
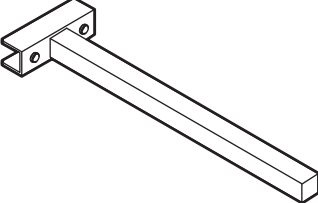
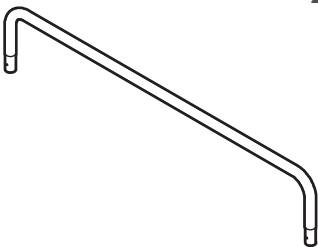
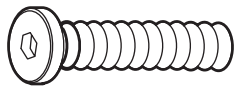
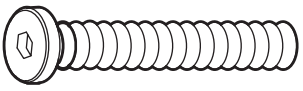
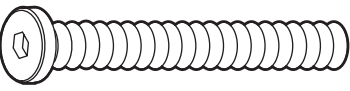
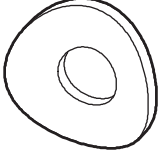
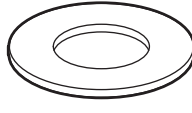
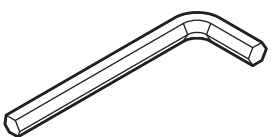
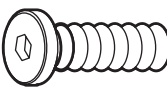


DEAR CUSTOMER,

Thank you for choosing our product. Please read this manual carefully before assembling or using the product, to avoid damage caused by improper use. If the product is passed on to third parties, this manual has to be passed on along with the product. For any question don't hesitate to contact us.

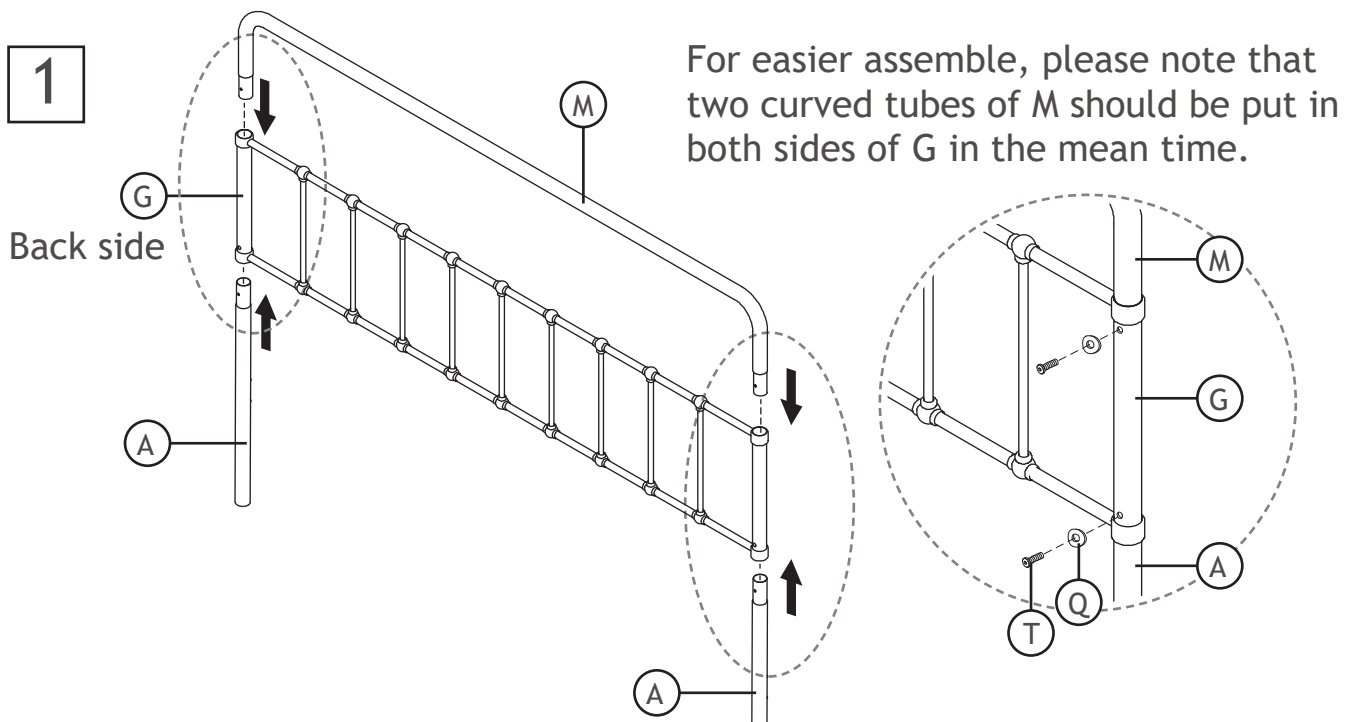
PARTS LIST

A  2×	B  2×
C  2×	D  2×
E  1×	F  10×
G  1×	H  1×
I  2×	J  4×

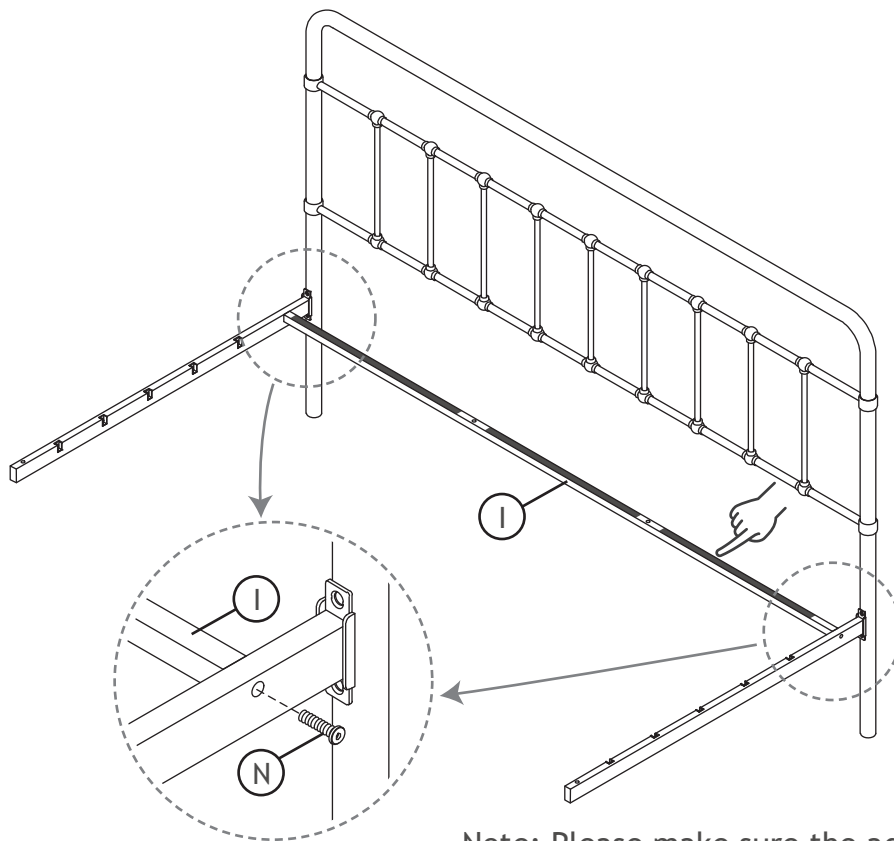
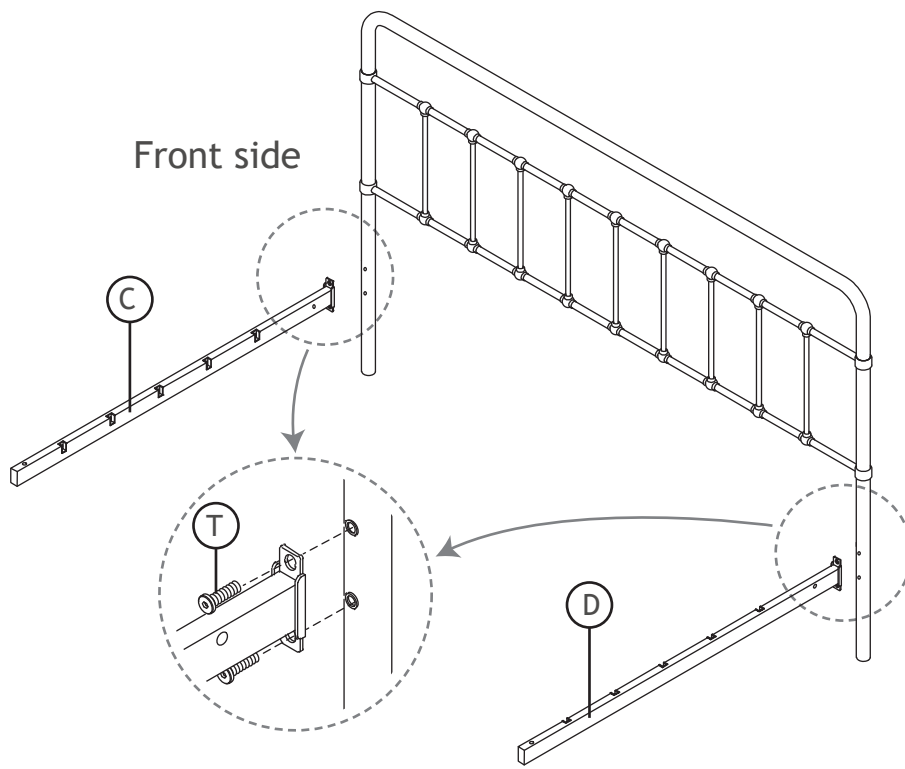
K  2×	L  2×	M  2×	
N  M8×35mm 10×	O  M8×50mm 4×	P  M8×60mm 6×	
Q  8×	R  6×	S  M8 Spanner 1×	T  M8×20mm 16×

ASSEMBLY

Before your installation, please make sure that you have all the parts listed on the manual. If you find something missing, stop installing and contact your supplier immediately.



2

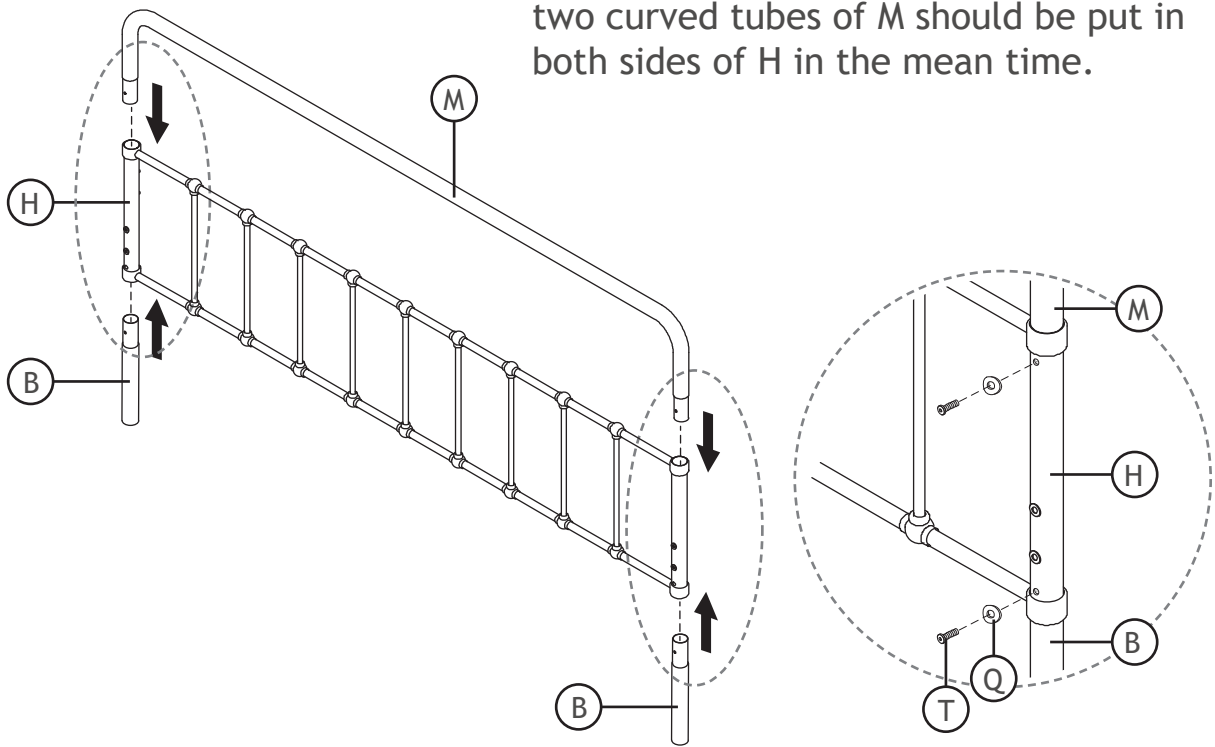


Note: Please make sure the adhesive strips are up when you install the metal beam I.

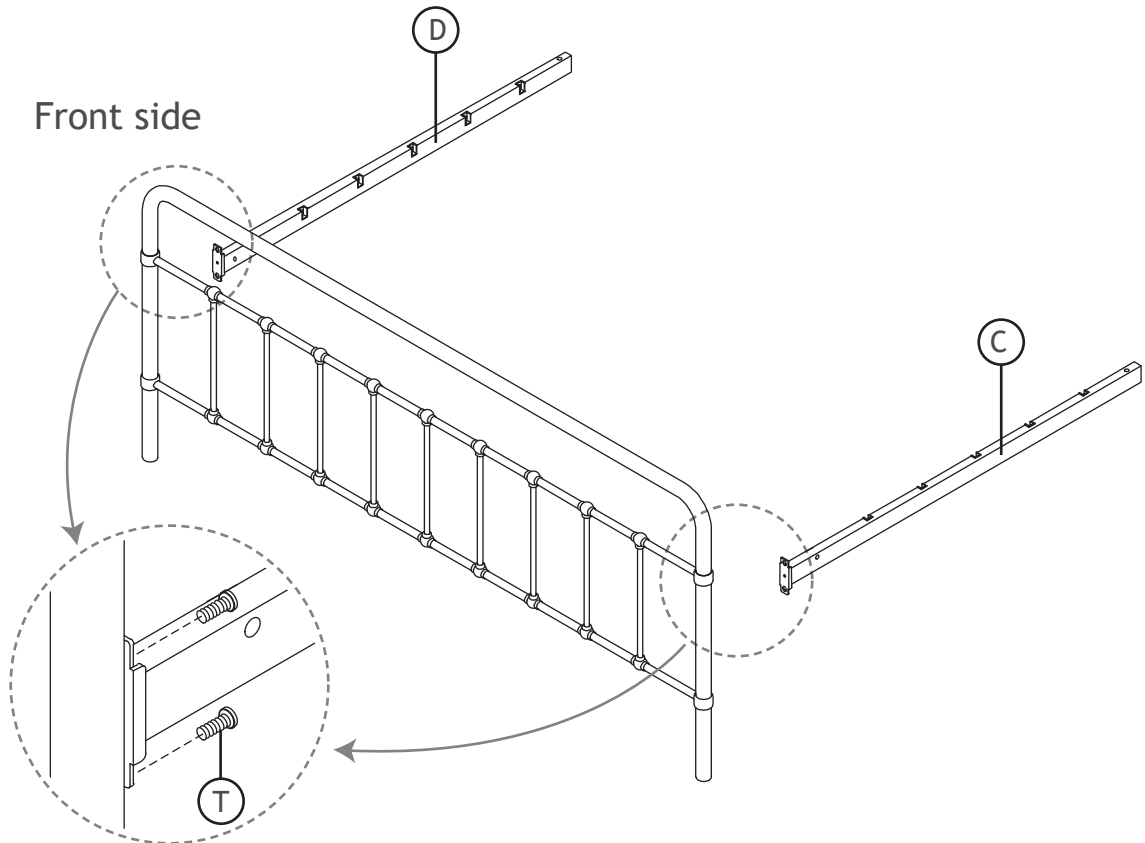
3

Back side

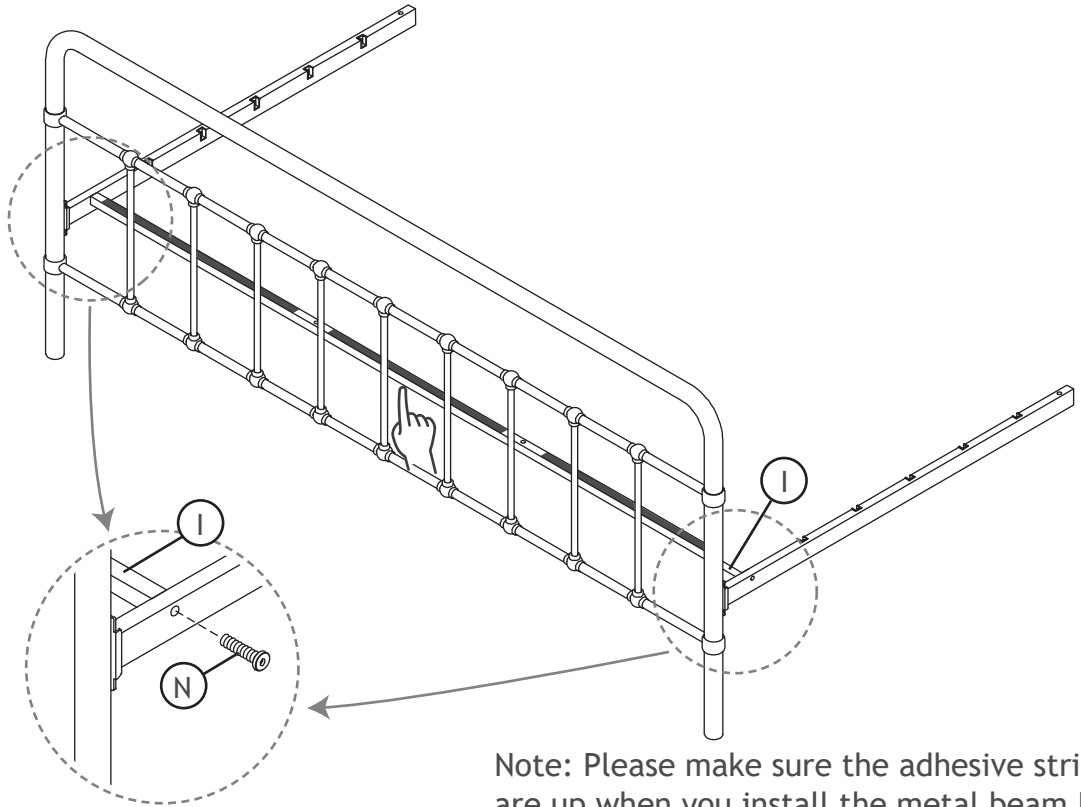
For easier assemble, please note that two curved tubes of M should be put in both sides of H in the mean time.



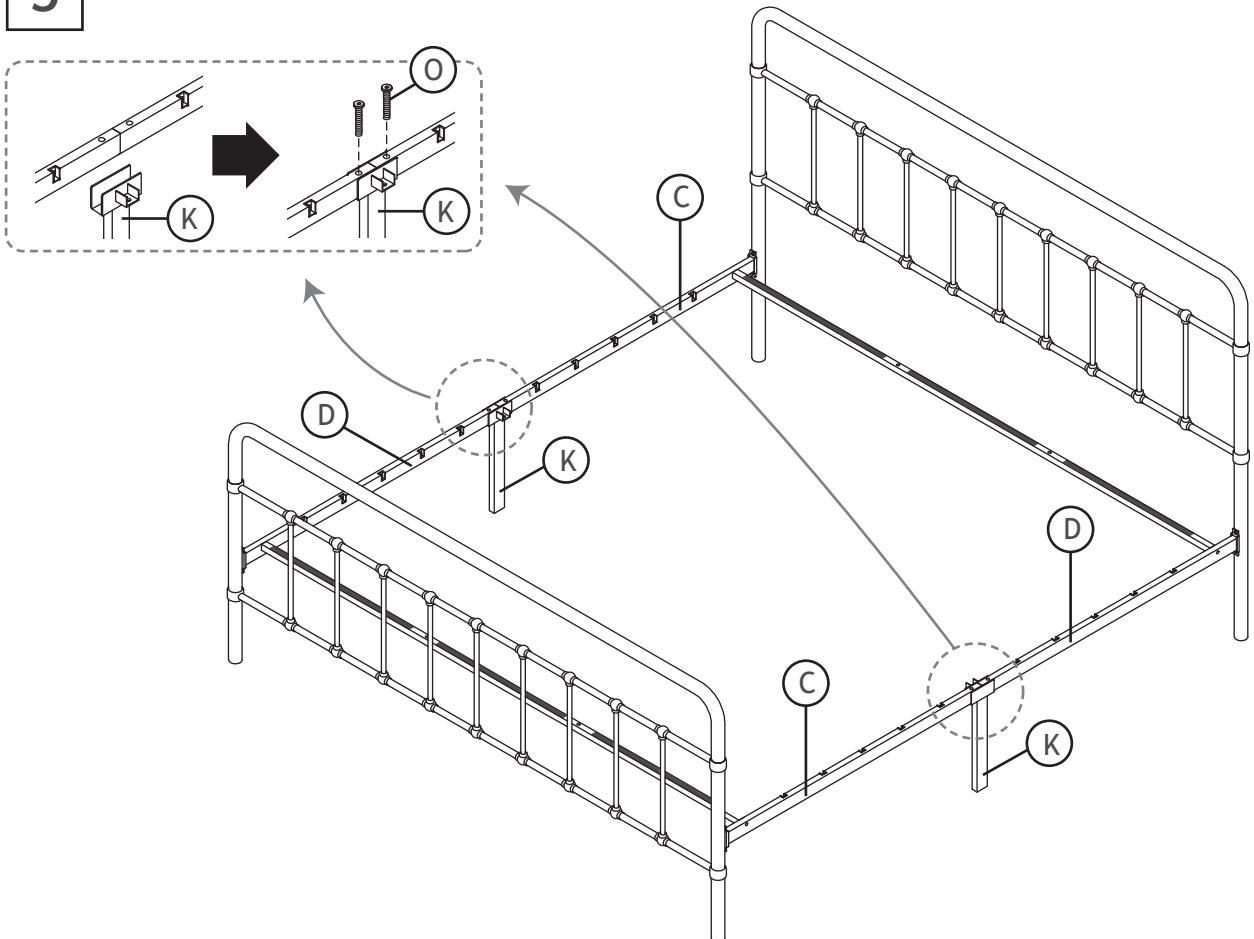
Front side



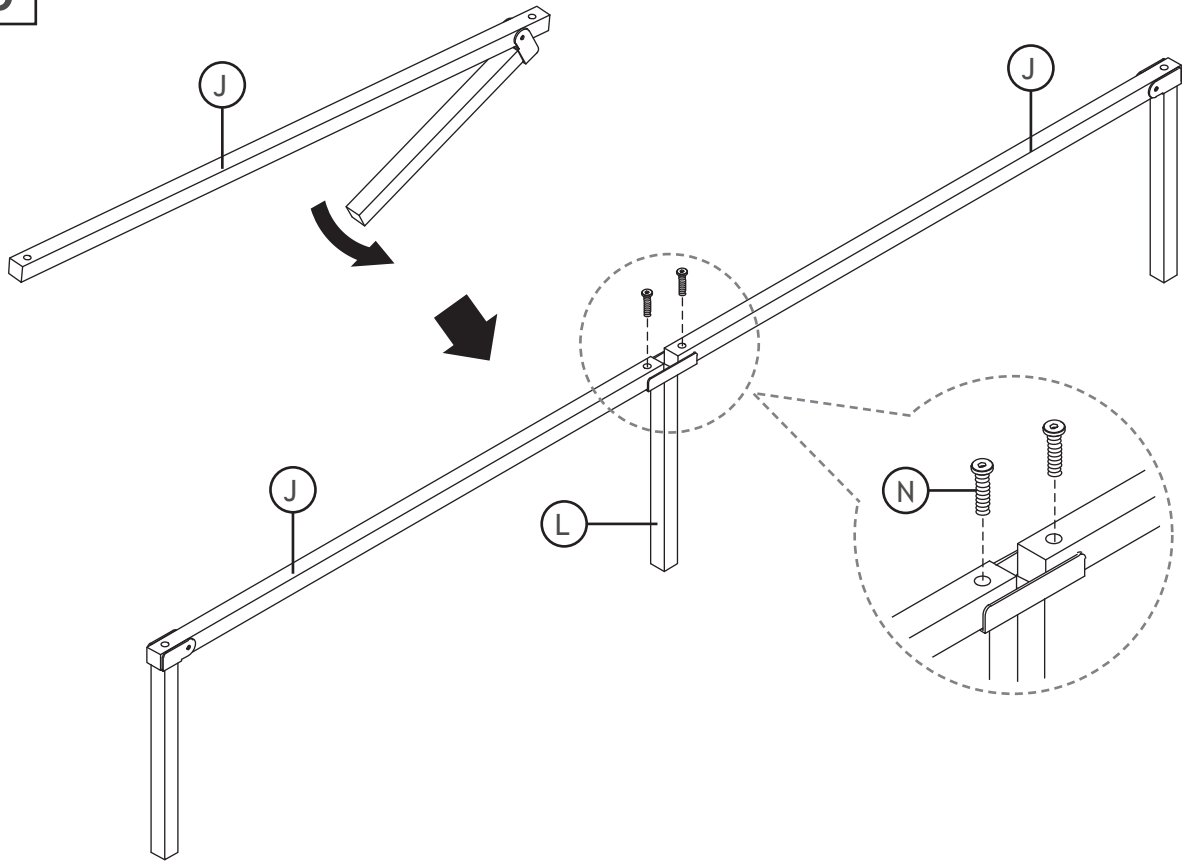
4



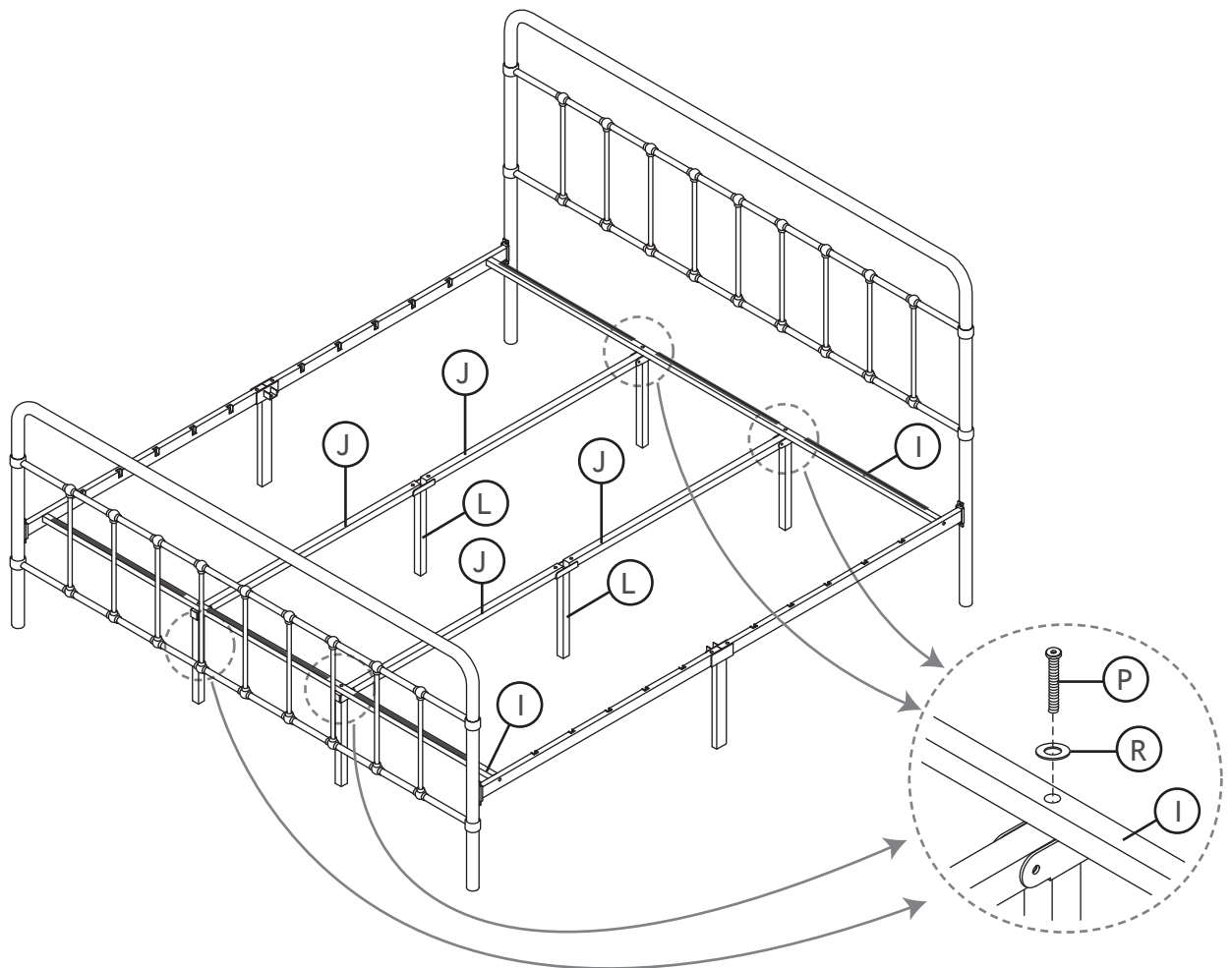
5



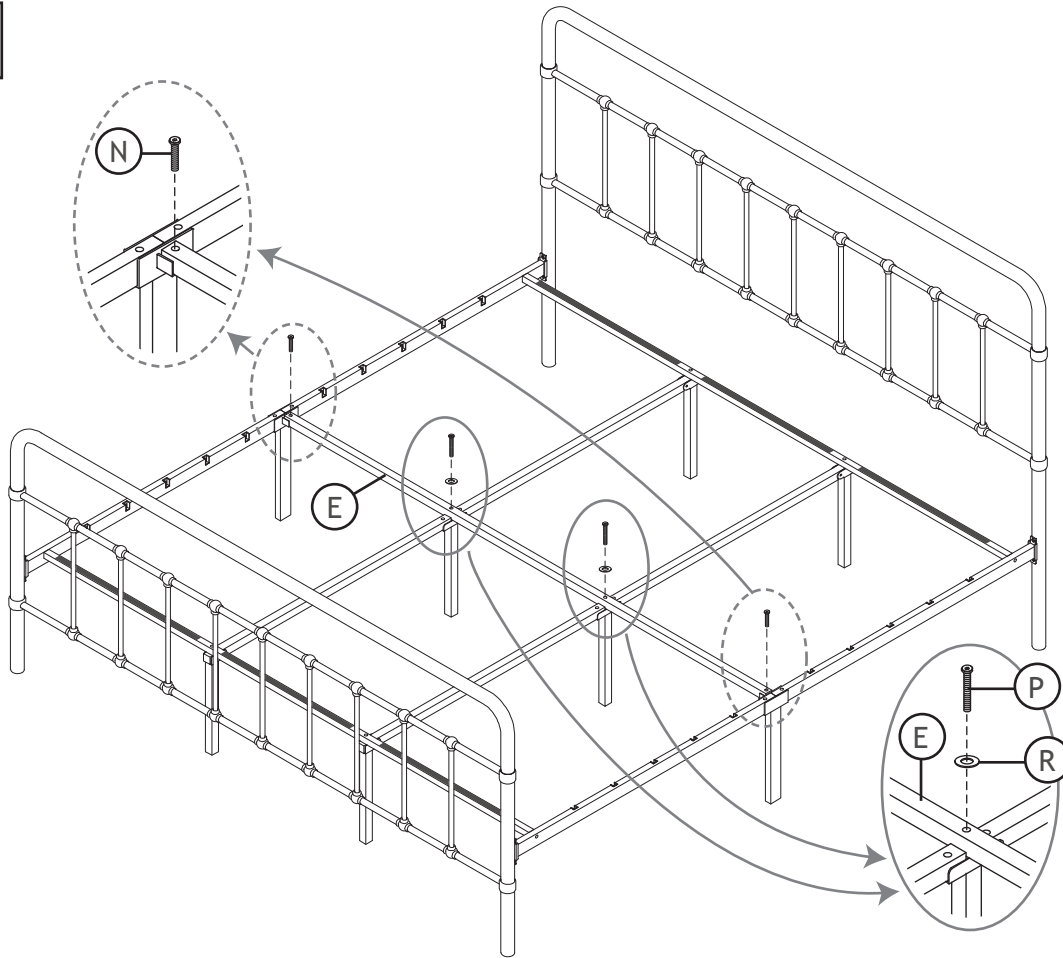
6



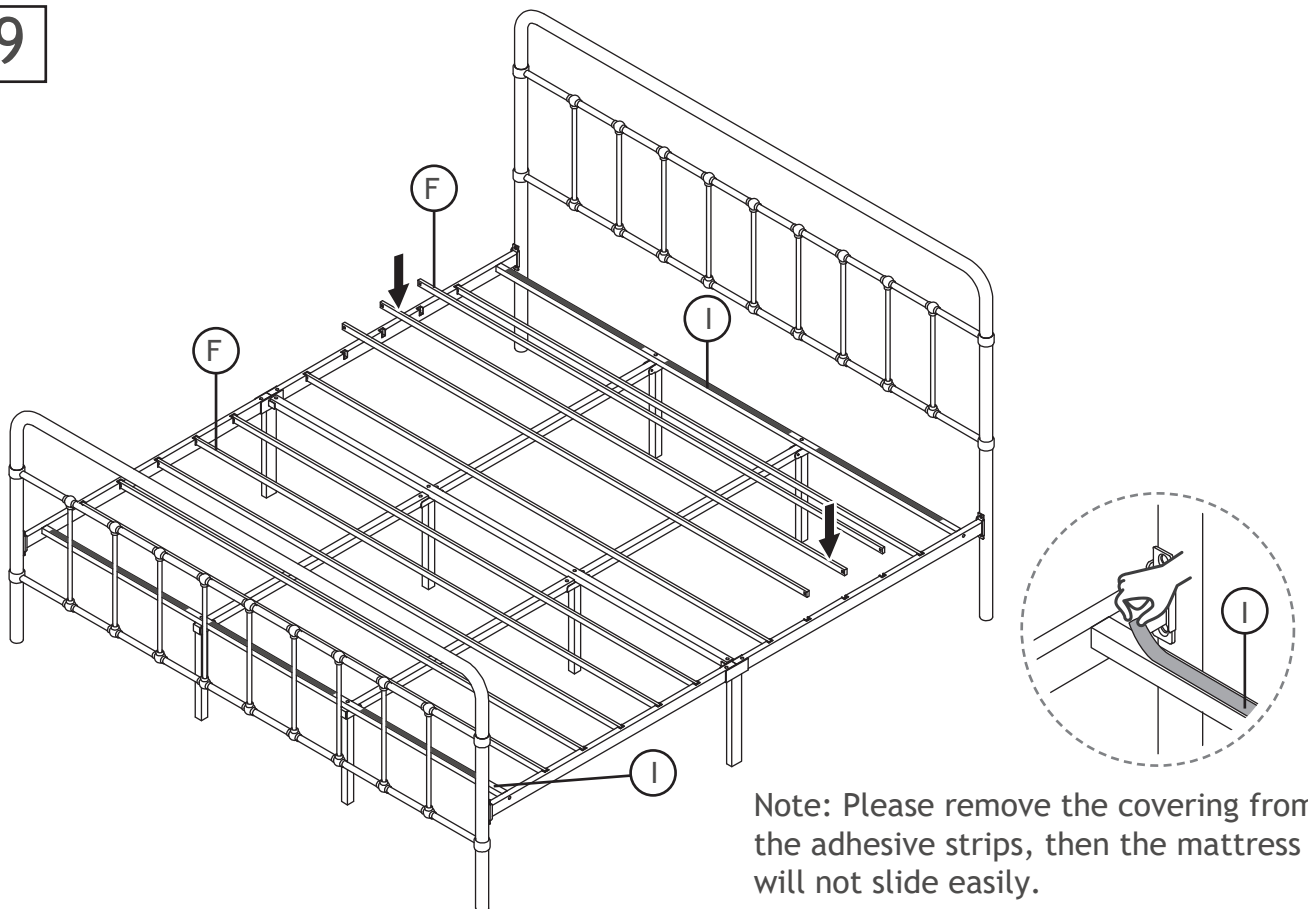
7



8



9



Note: Please remove the covering from the adhesive strips, then the mattress will not slide easily.