



6.5'x12'

SKU: LGCF1663

METAL GRILL GAZEBO

Assembly Manual

LGCF1663



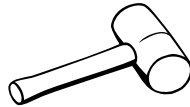
Pre-assembly

TOOLS THAT MAY BE REQUIRED (Not included in boxes)

*NOTE: Tools / equipment are not shown to actual size and scale.



LEVEL



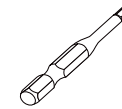
RUBBER Mallet



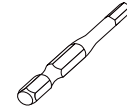
PHILLIPS SCREW



DRILL



ALLEN KEY



ALLEN KEY

EQUIPMENT REQUIRED (Not included in boxes)

*NOTE: Equipment are not shown to actual size and scale.



SAFETY HAT



GLOVES



SAFETY GOGGLES



STEPLADDER

Matters needing attention

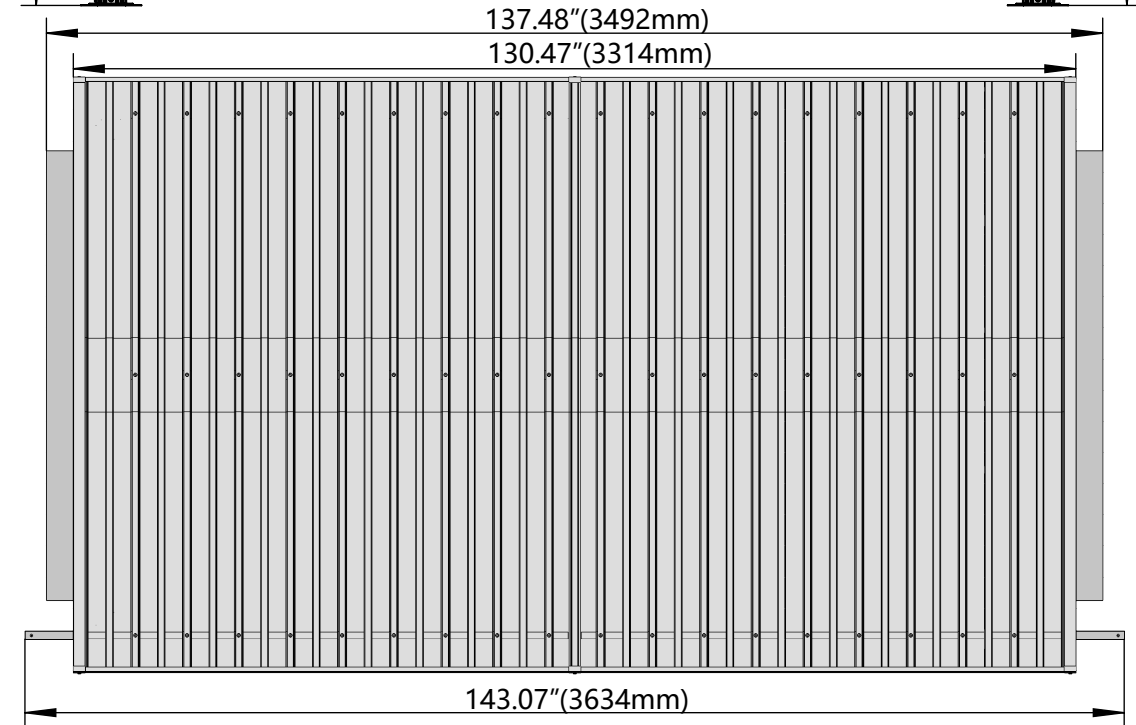
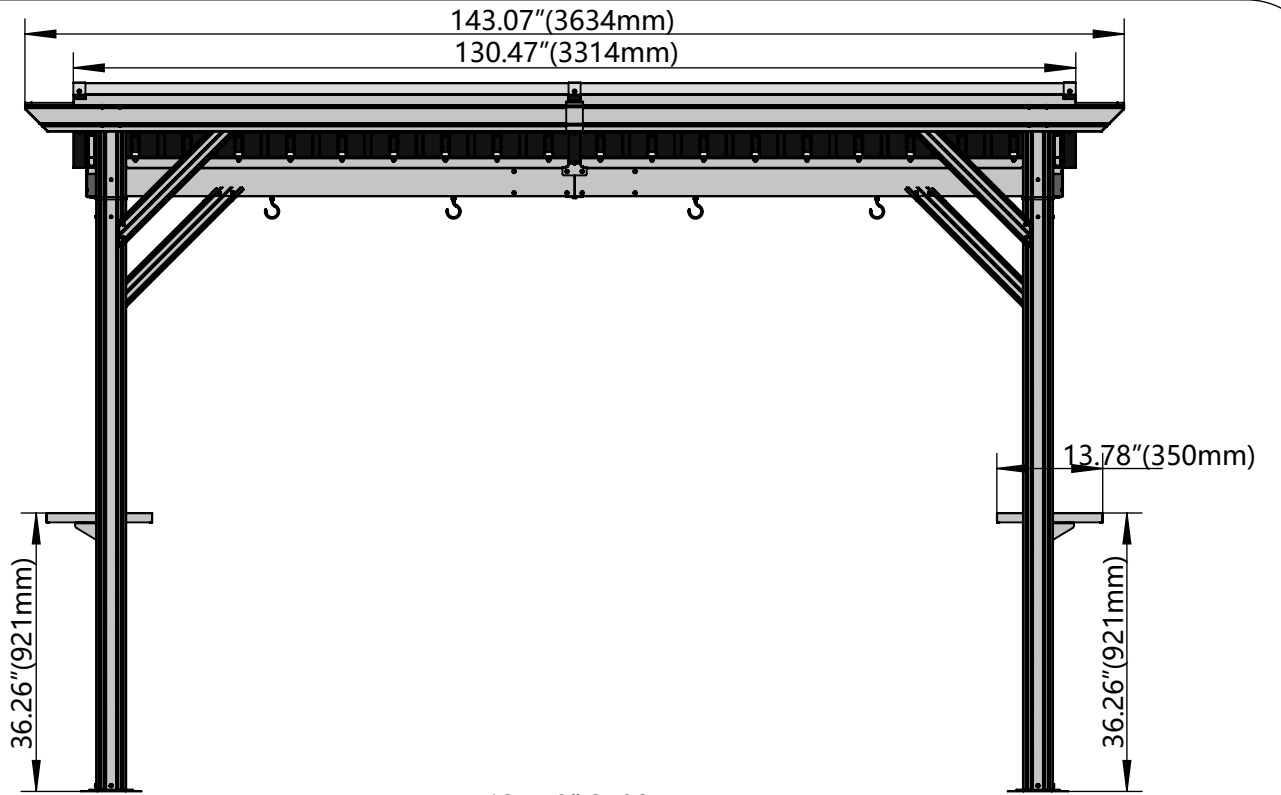
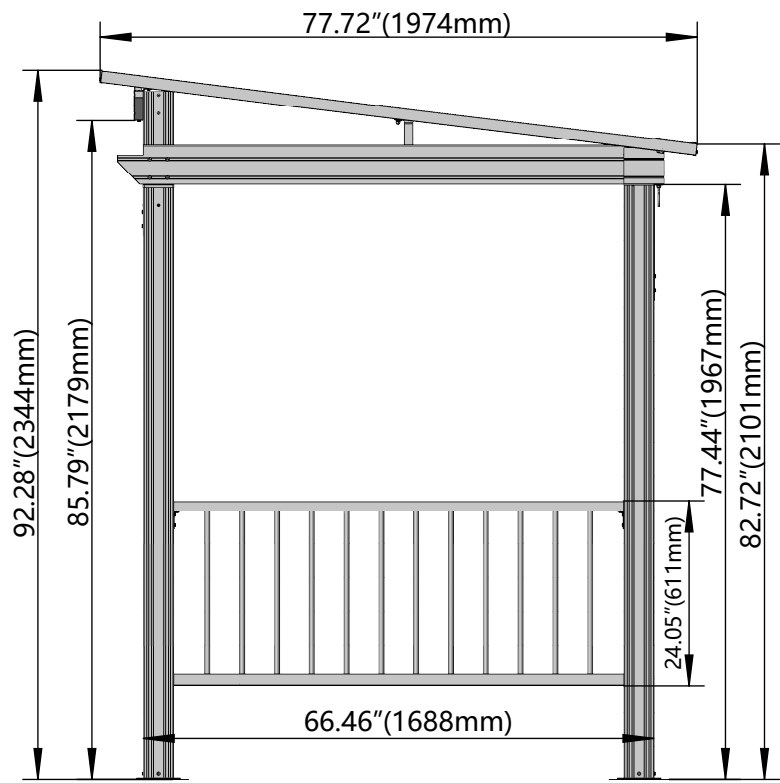


1. Two or more people are required for assembly.



2. Do not fully tighten screws prior to complete assembly.

A NOTICE IMPORTANT: A gazebo may entail purchasing a municipal permit or be subject to specific building codes. It is the consumer's responsibility to inform themselves of any restrictions.





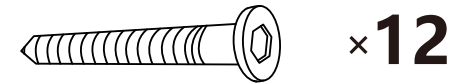
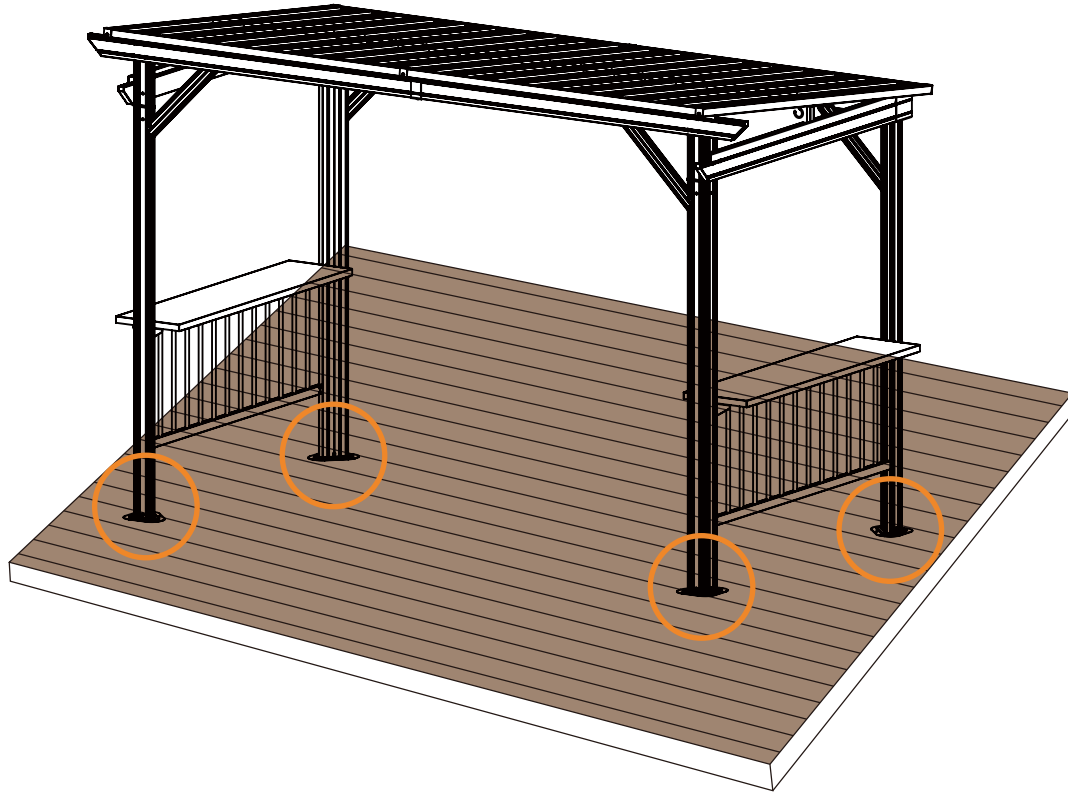
127.56"(3240mm)

120.63"(3064mm)

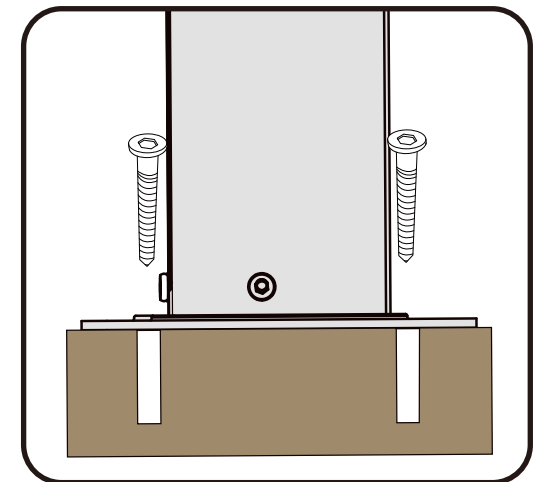
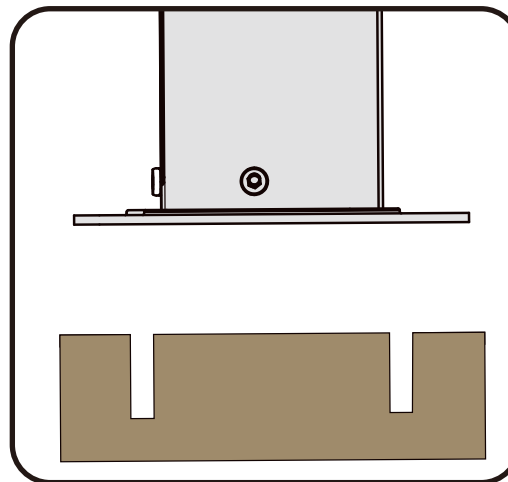
69.45"(1764mm)

62.52"(1588mm)

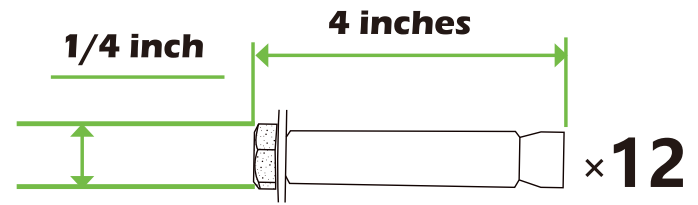
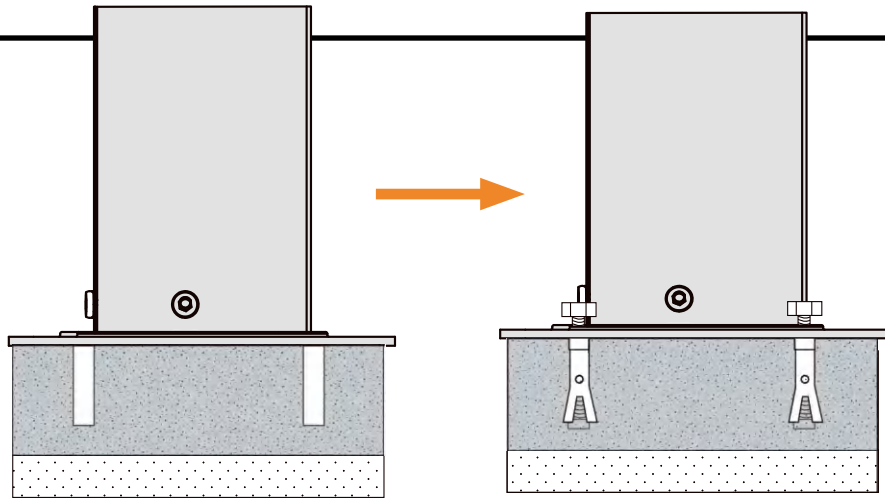
1



If the deck is hard wood and the depth of it is over 3 inch, you can use **5/16 in. x4 in. Structural Wood Screw** to mount the pergola.

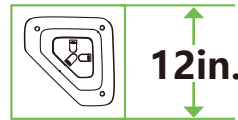


2

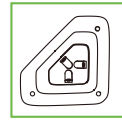


If the ground is concreted and the depth of it is over 3 inch, you can use 1/4 inch expansion bolts to mount the pergola

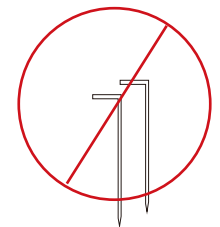
3

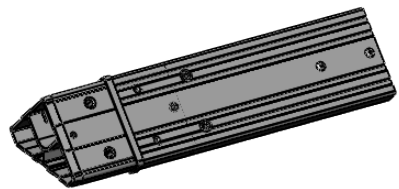


Or you can make a concrete footing for gazebo, **12 x 12 inches** is recommended. use expansion bolts to mount the gazebo like ② shows.

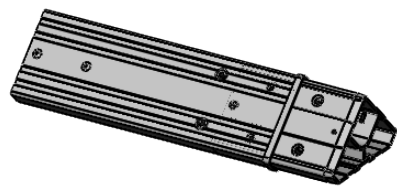


IMPORTANT:
Anchor is not recommended

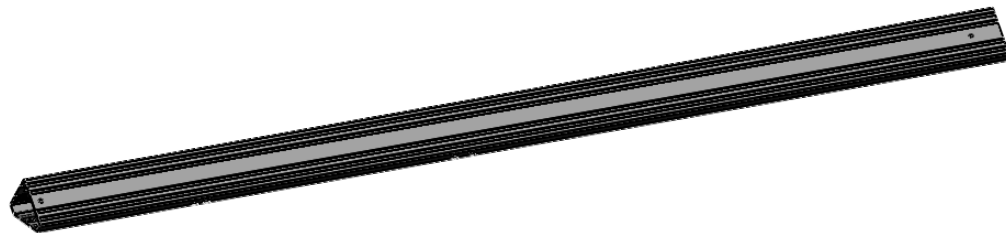




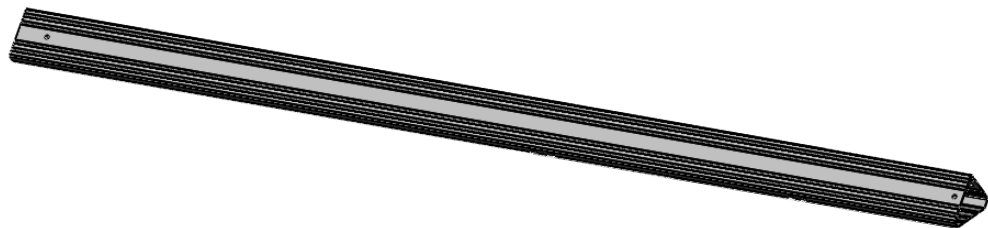
A1 1X



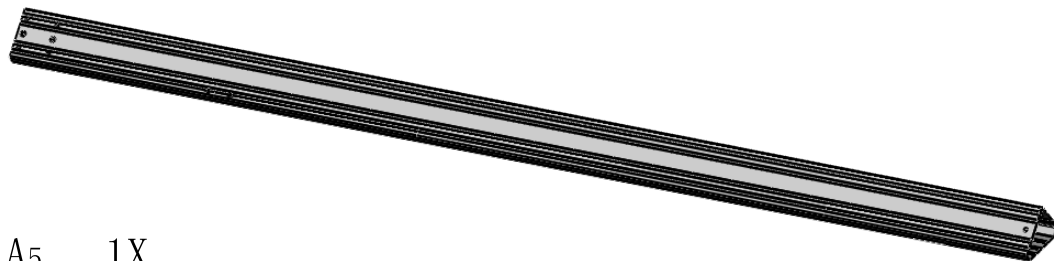
A2 1X



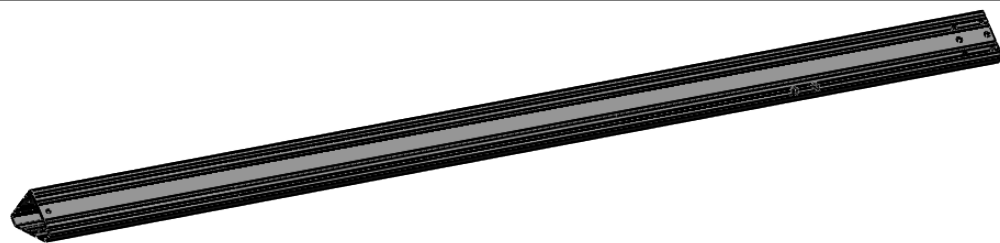
A3 1X



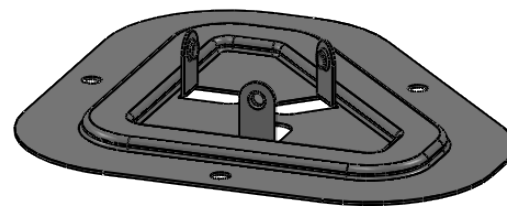
A4 1X



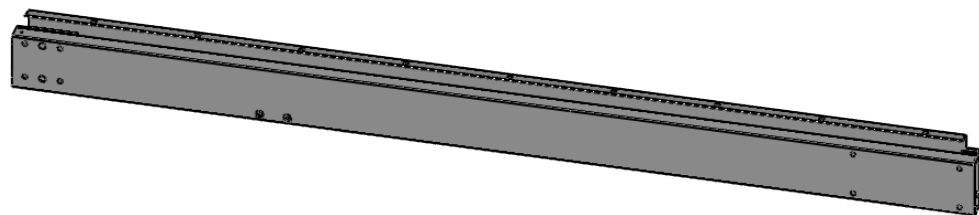
A5 1X



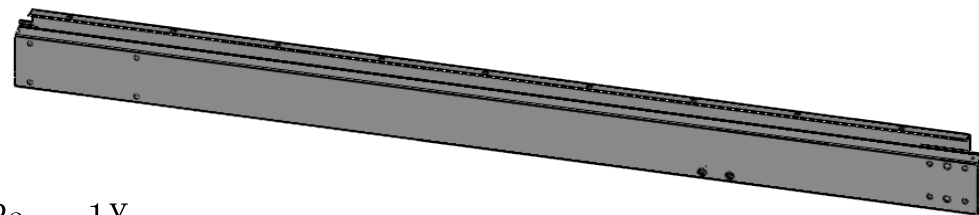
A6 1X



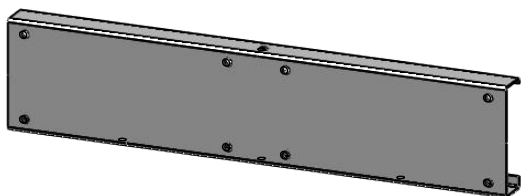
A7 4X



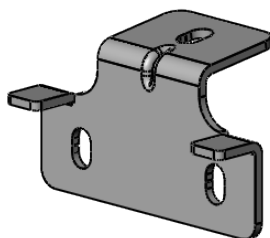
B1 1X



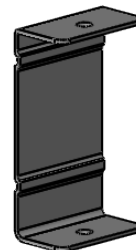
B2 1X



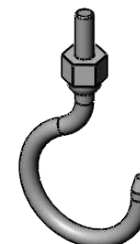
B3 2X



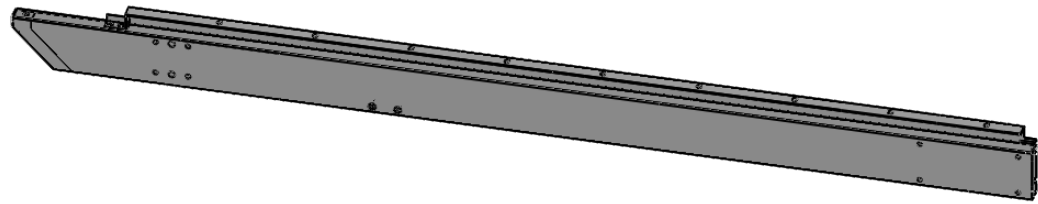
B4 1X



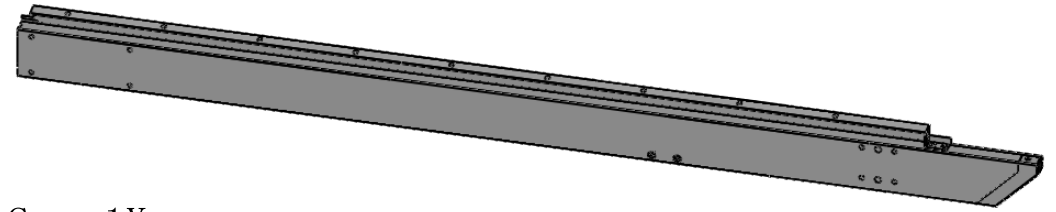
B5 2X



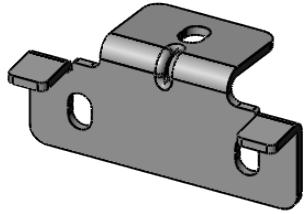
B6 4X



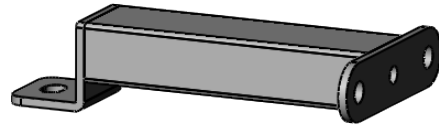
C₁ 1X



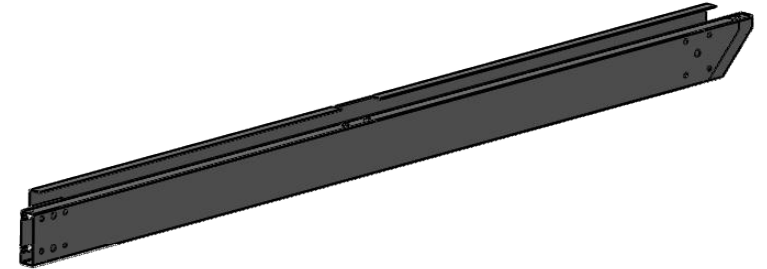
C₂ 1X



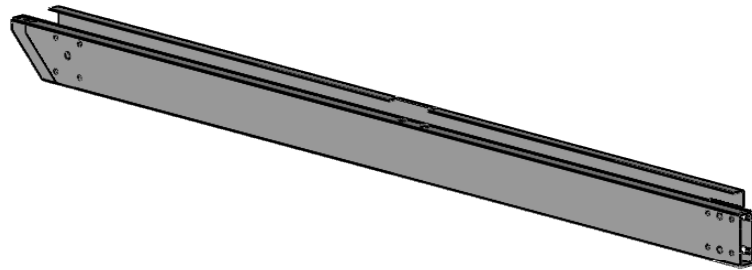
C₃ 1X



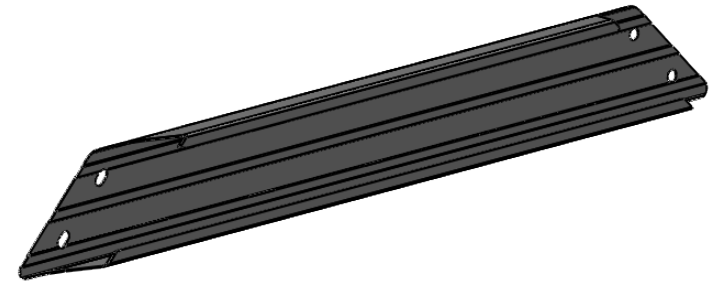
D₁ 2X



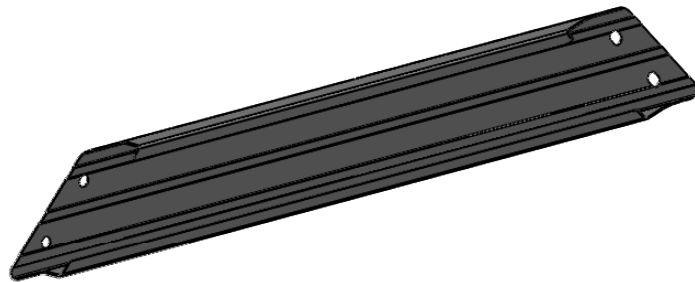
D₂ 1X



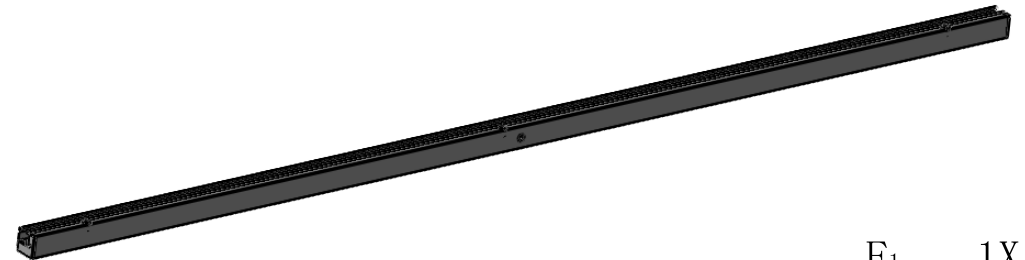
D₃ 1X



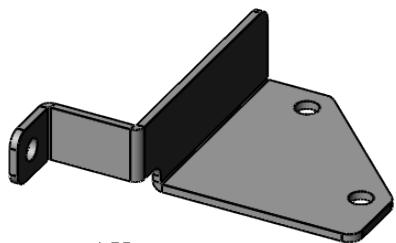
E₁ 2X



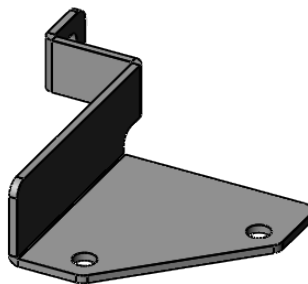
E₂ 2X



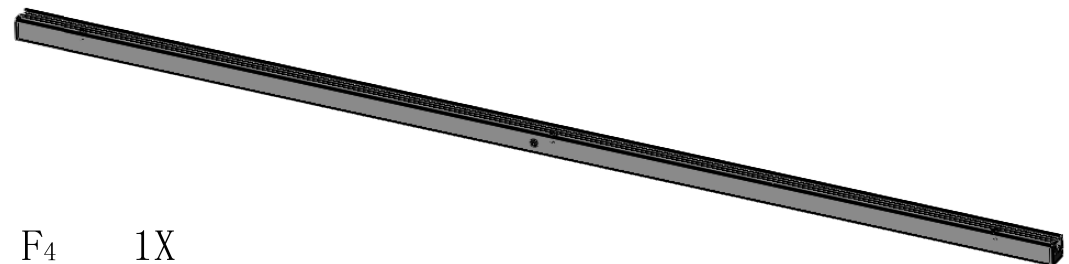
F₁ 1X



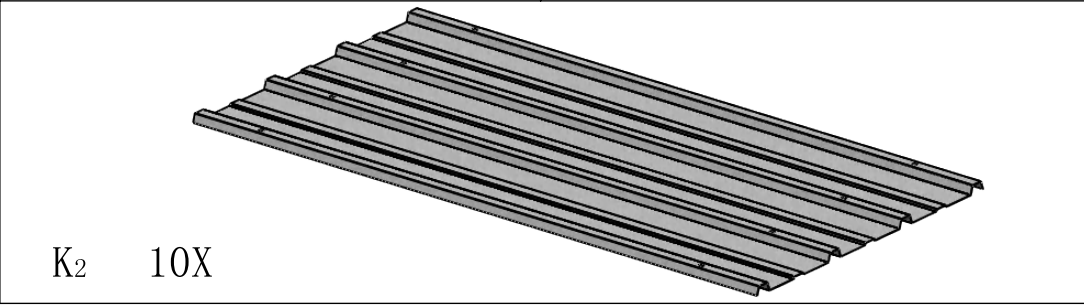
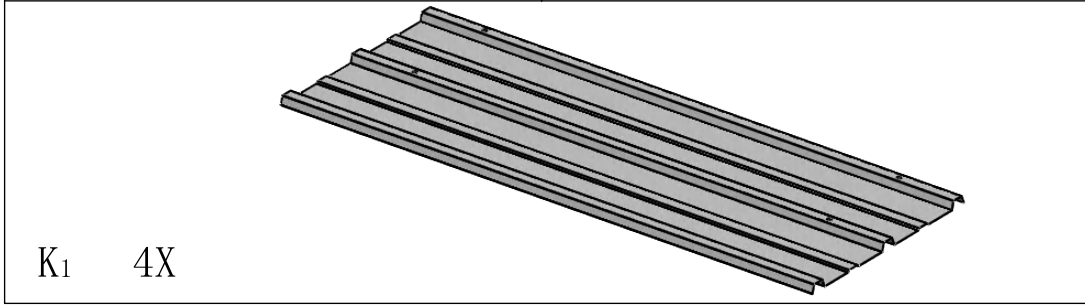
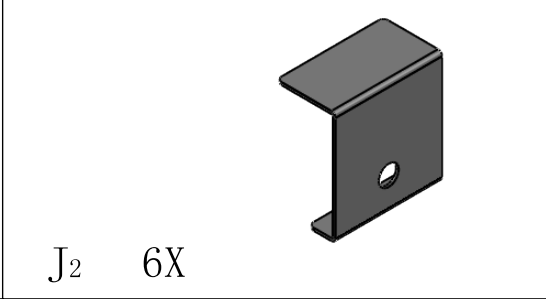
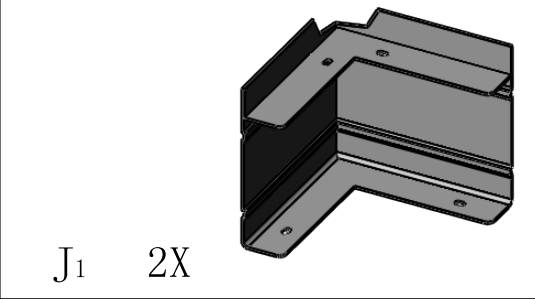
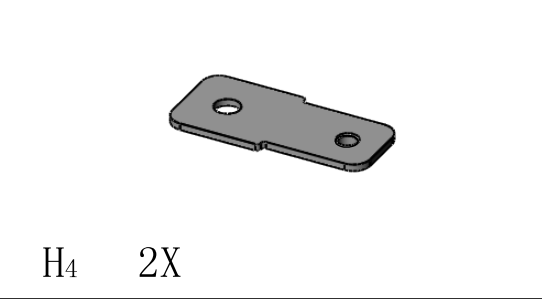
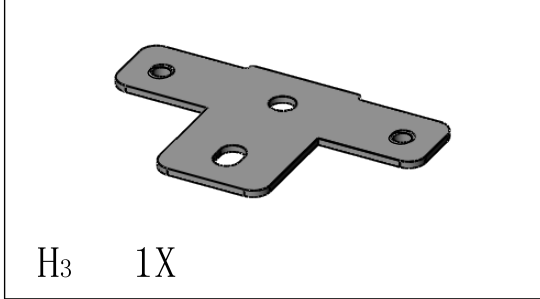
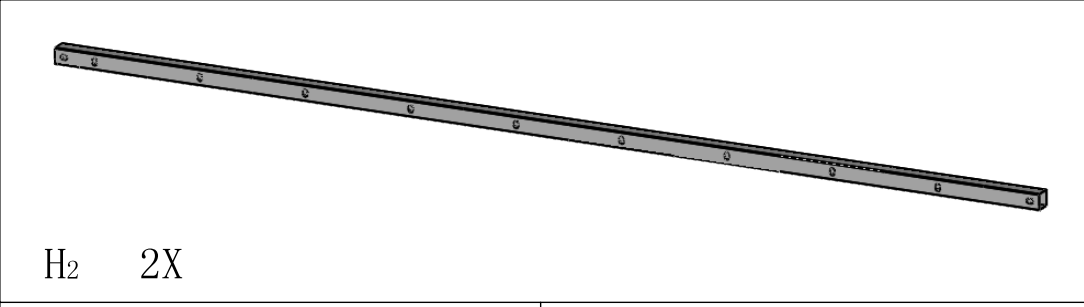
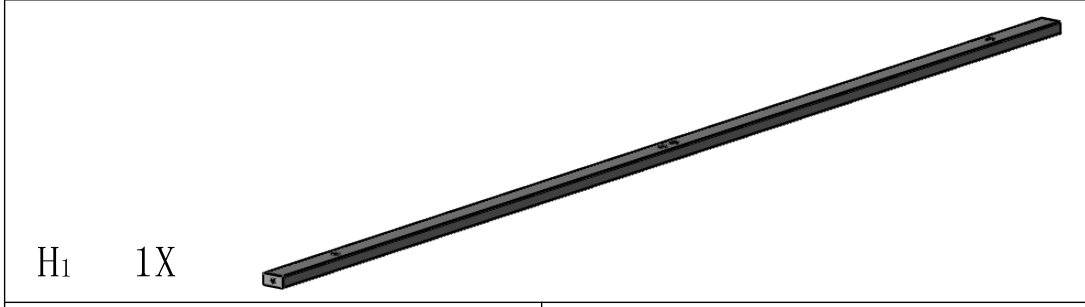
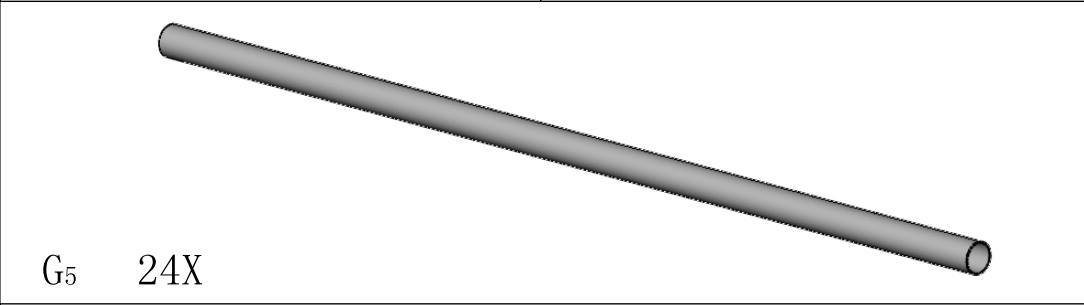
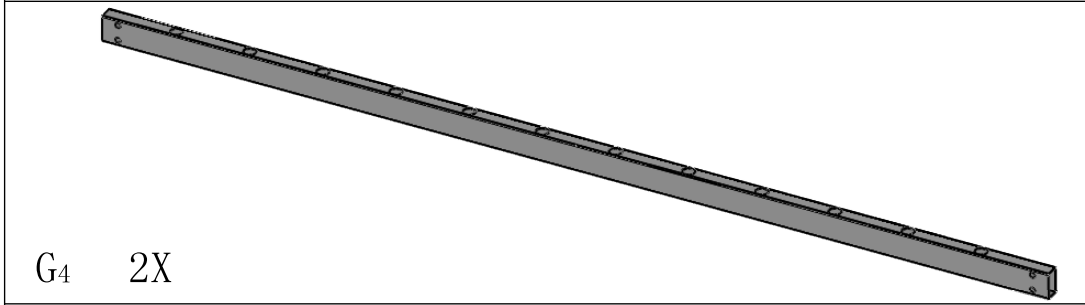
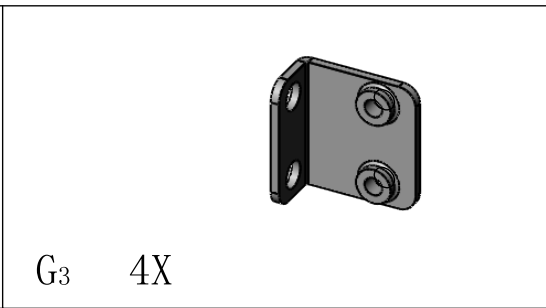
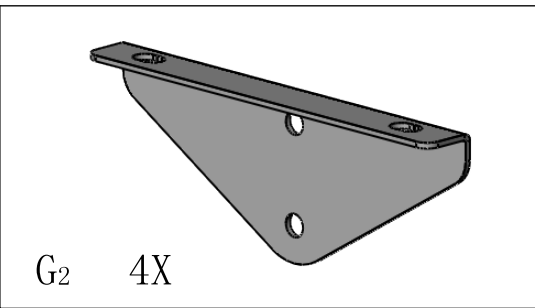
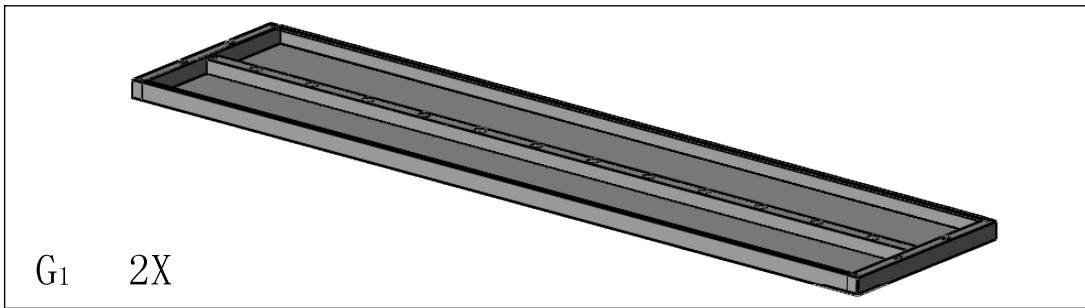
F₂ 1X

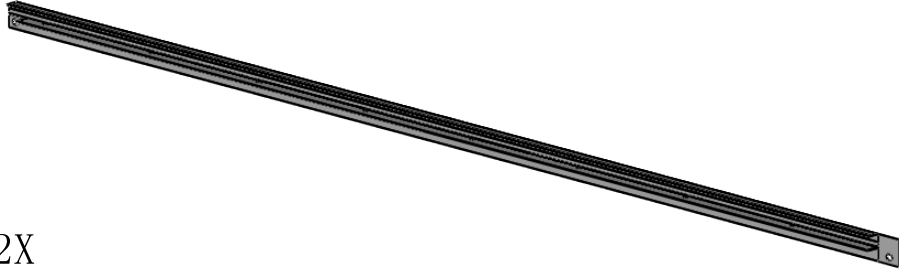
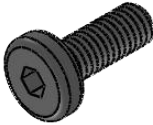
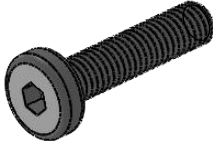
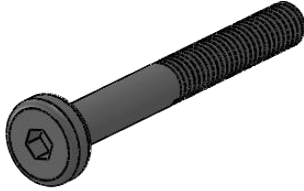
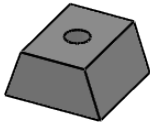




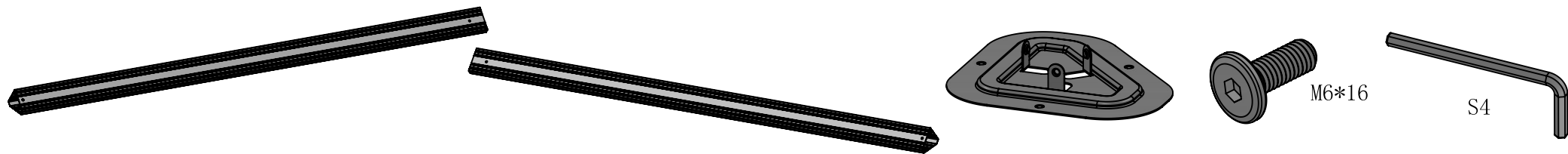
F₃ 1X



F₄ 1X



 <p>L₁ 2X</p>		 <p>L₂ 2X</p>	
 <p>1# 110X M6*16</p>	 <p>2# 36X M6*28</p>	 <p>3# 18X M6*50</p>	 <p>4# 32X</p>
 <p>5# 12X St5.0*16</p>	 <p>6# 54X</p>	 <p>7# 54X M6</p>	 <p>8# 1X S4</p>
 <p>9# 1X S13</p>	 <p>10# 54X D12/d5. 2*H2</p>		



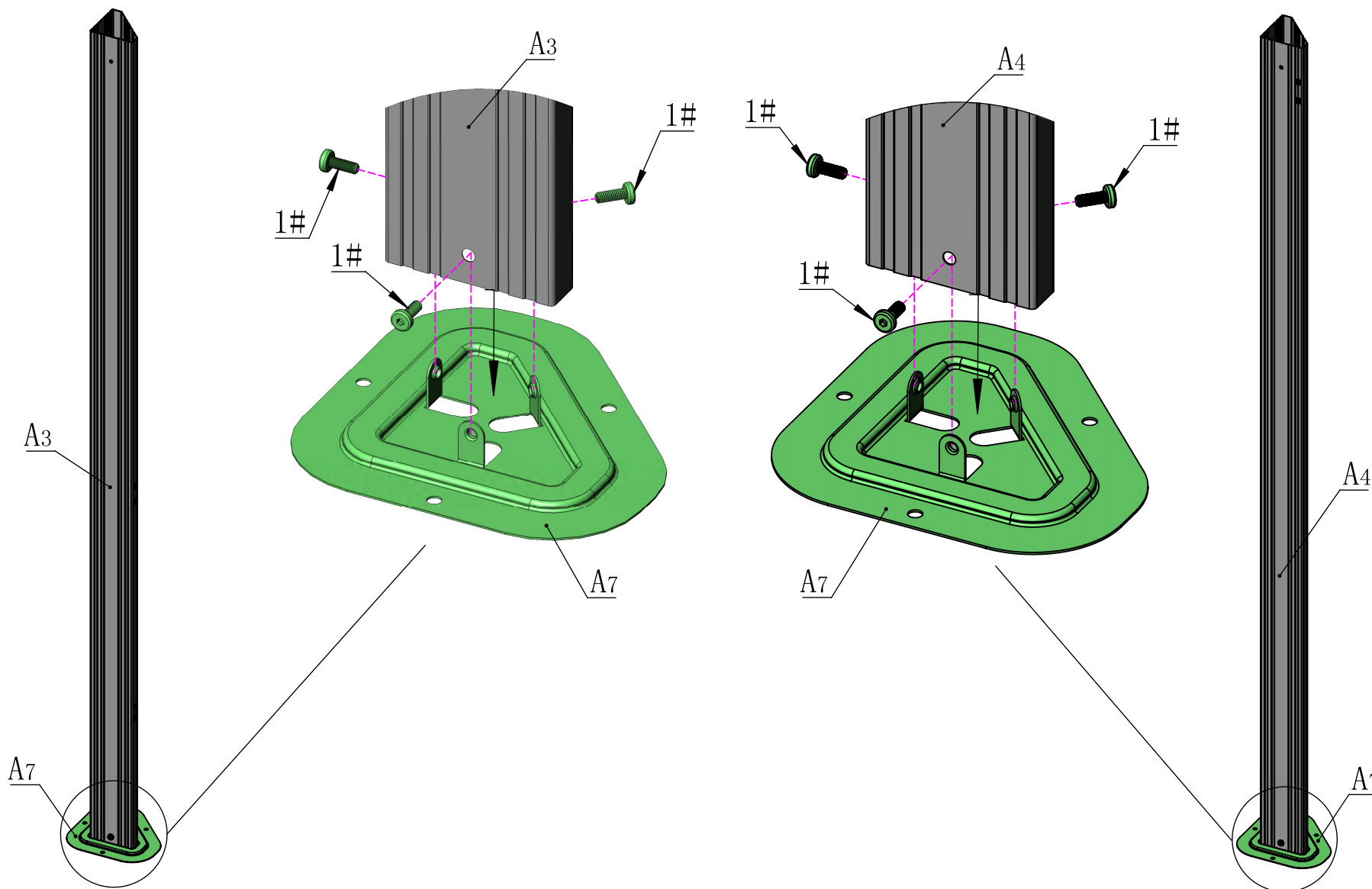
A3 1X

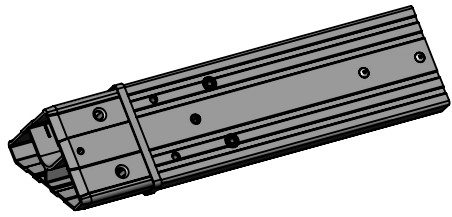
A4 1X

A7 2X

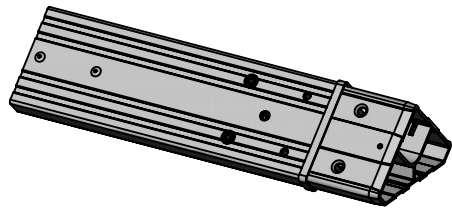
1# 6X

8# 1X





A1 1X

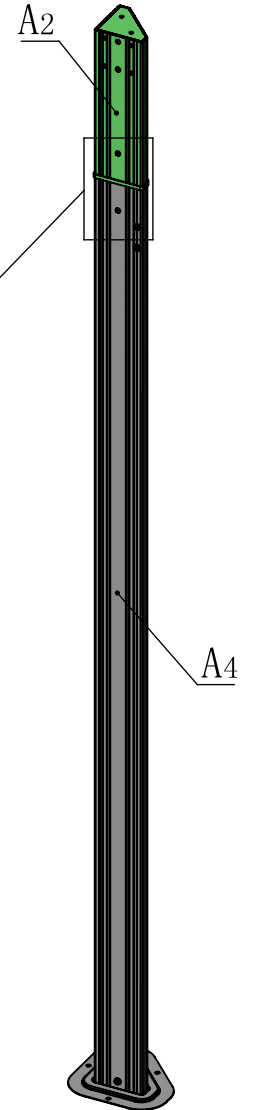
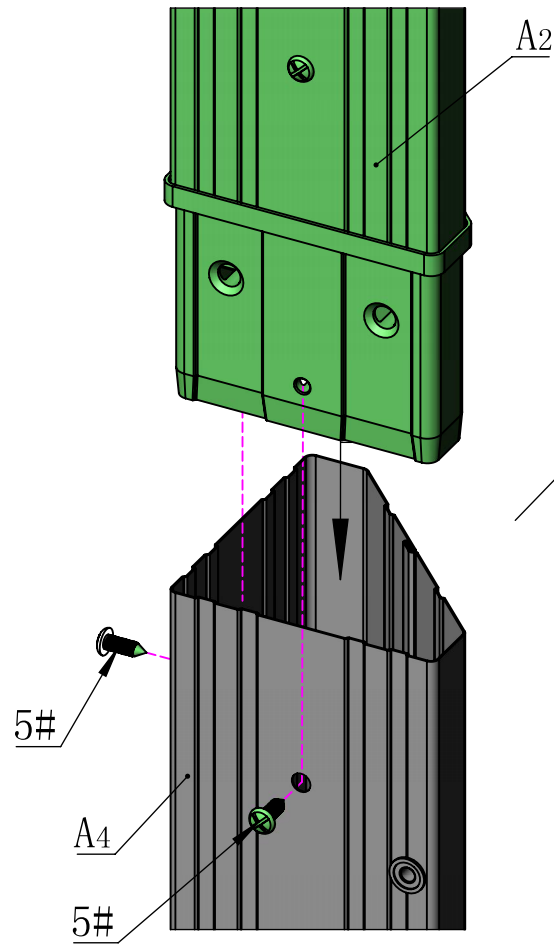
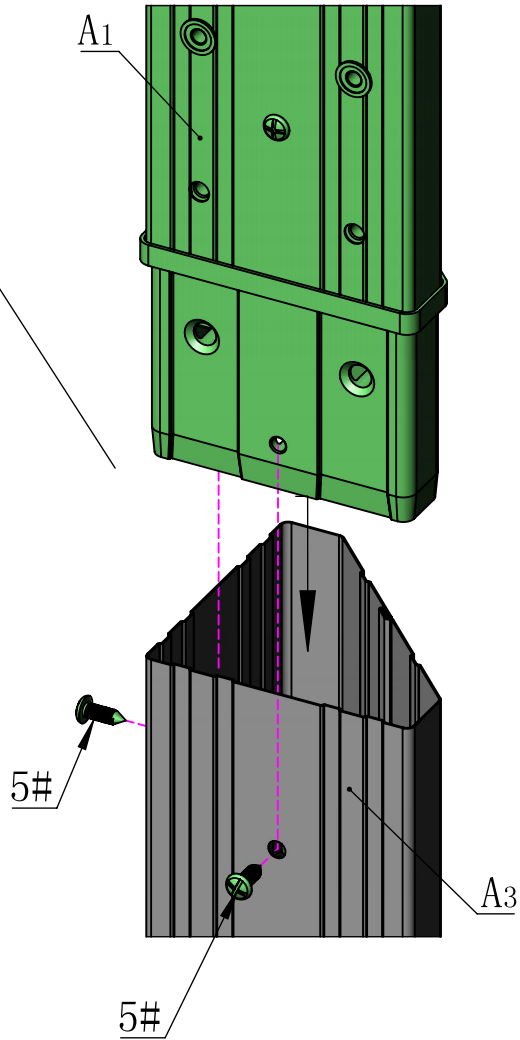
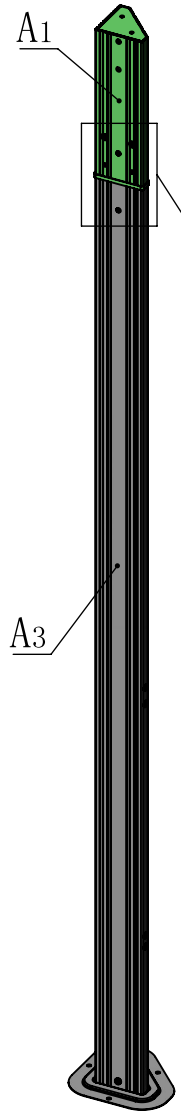


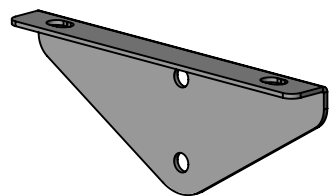
A2 1X



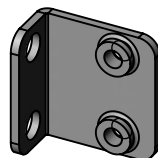
St5.0*16

5# 4X

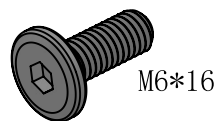




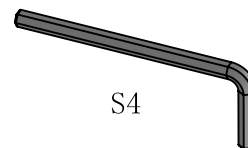
G2 2X



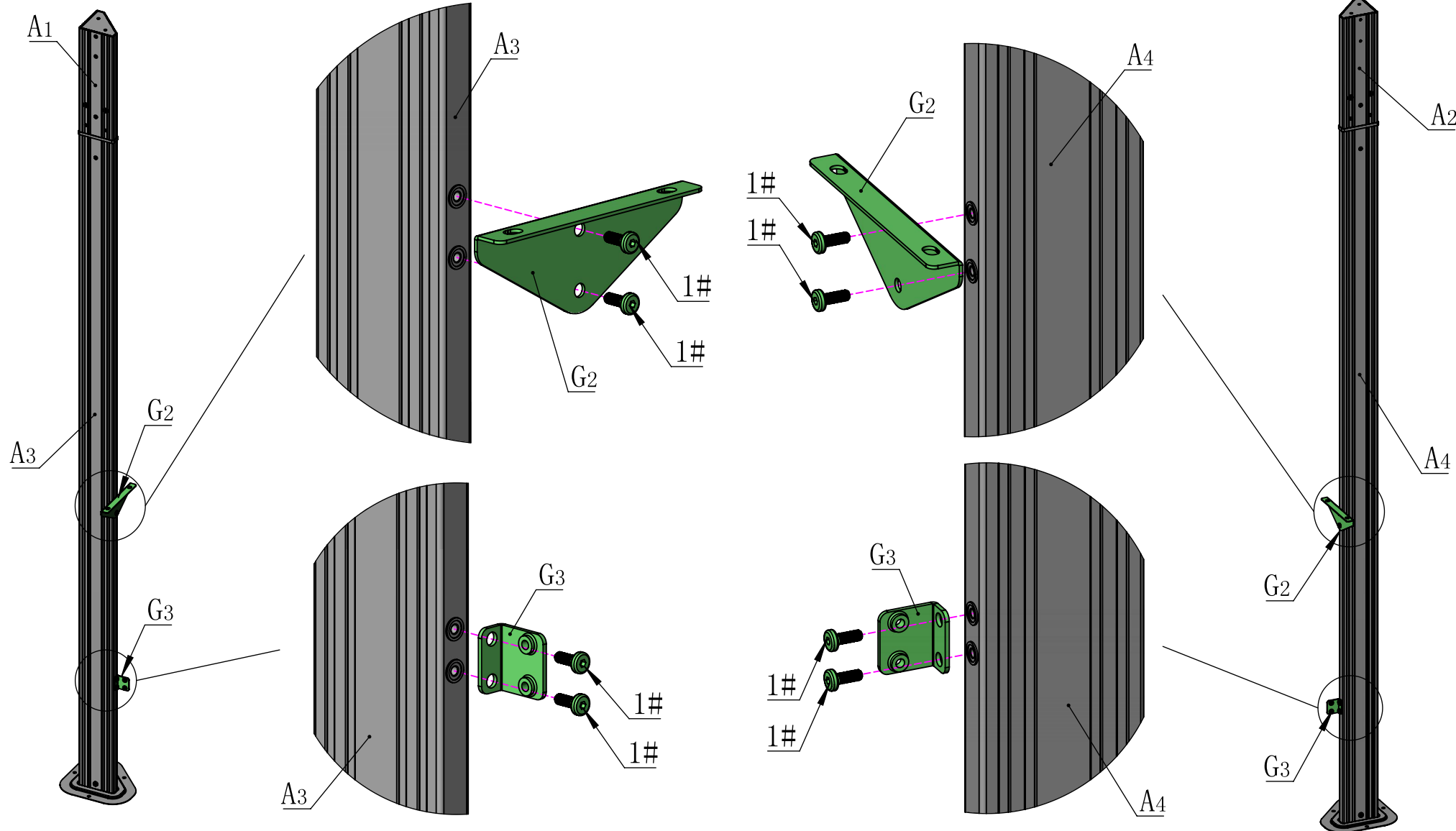
G3 2X

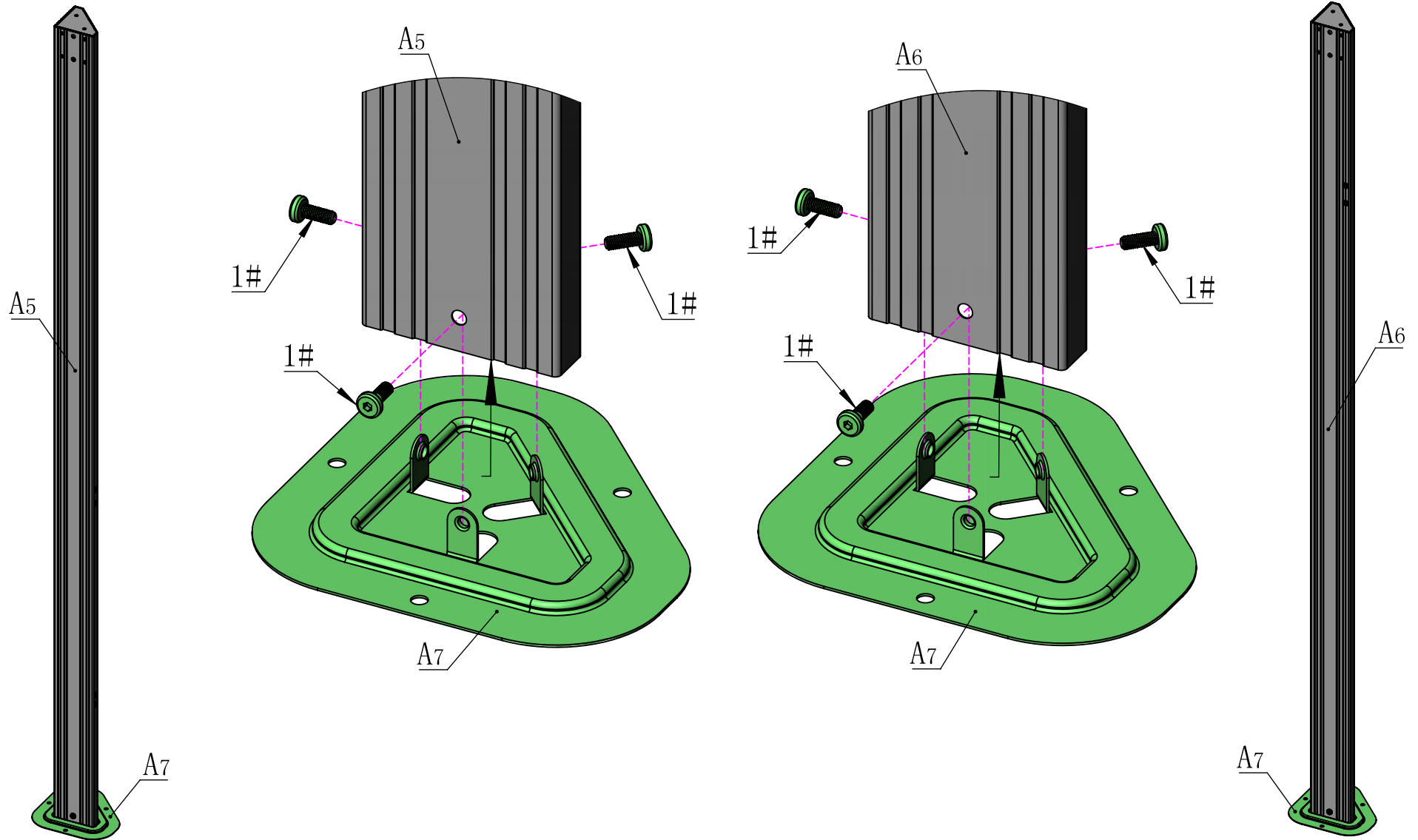
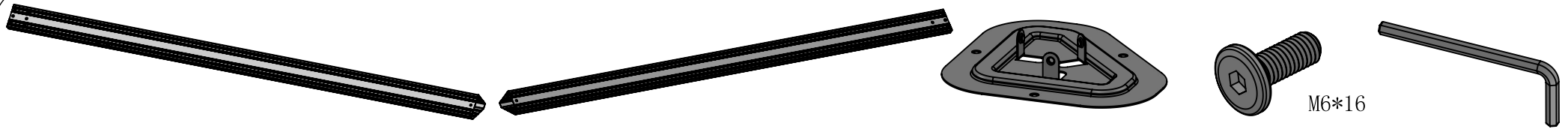


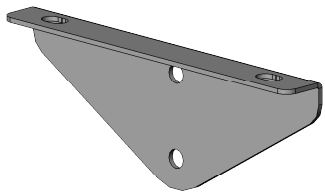
1# 8X



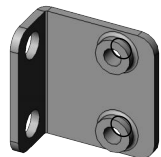
8# 1X



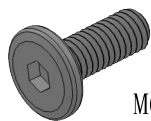




G2 2X

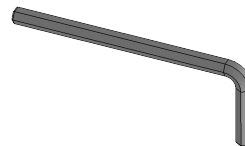


G3 2X

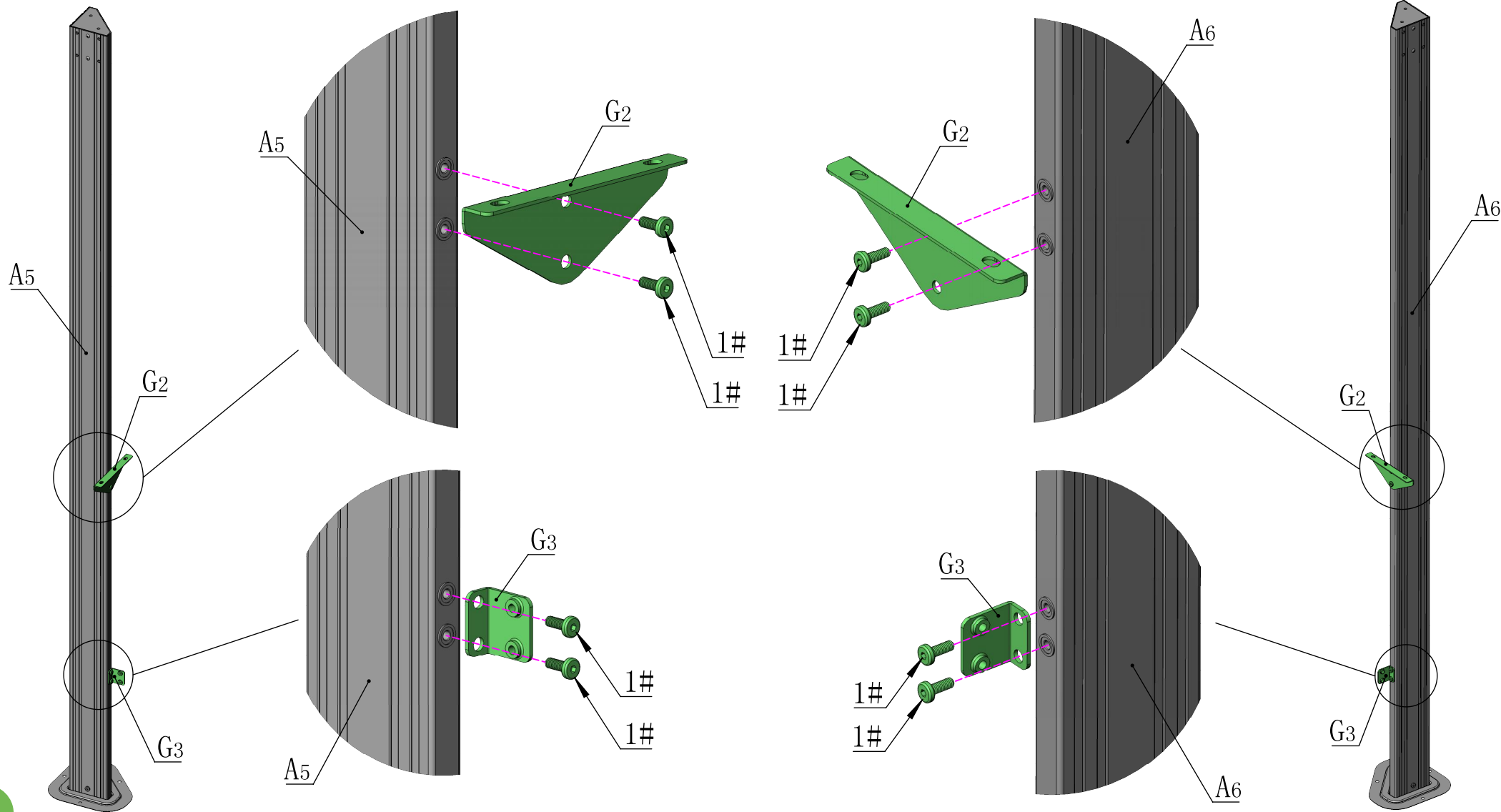


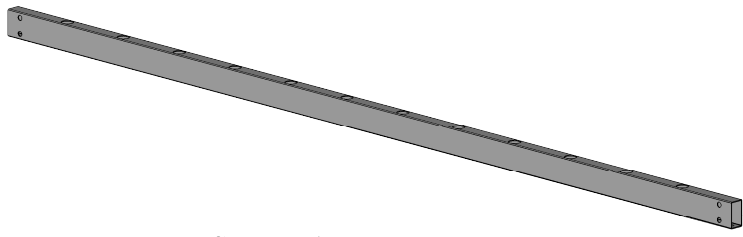
M6*16

1# 8X

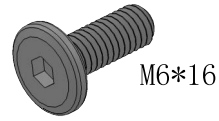


8# 1X

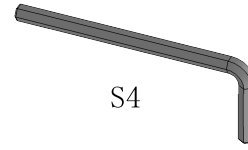




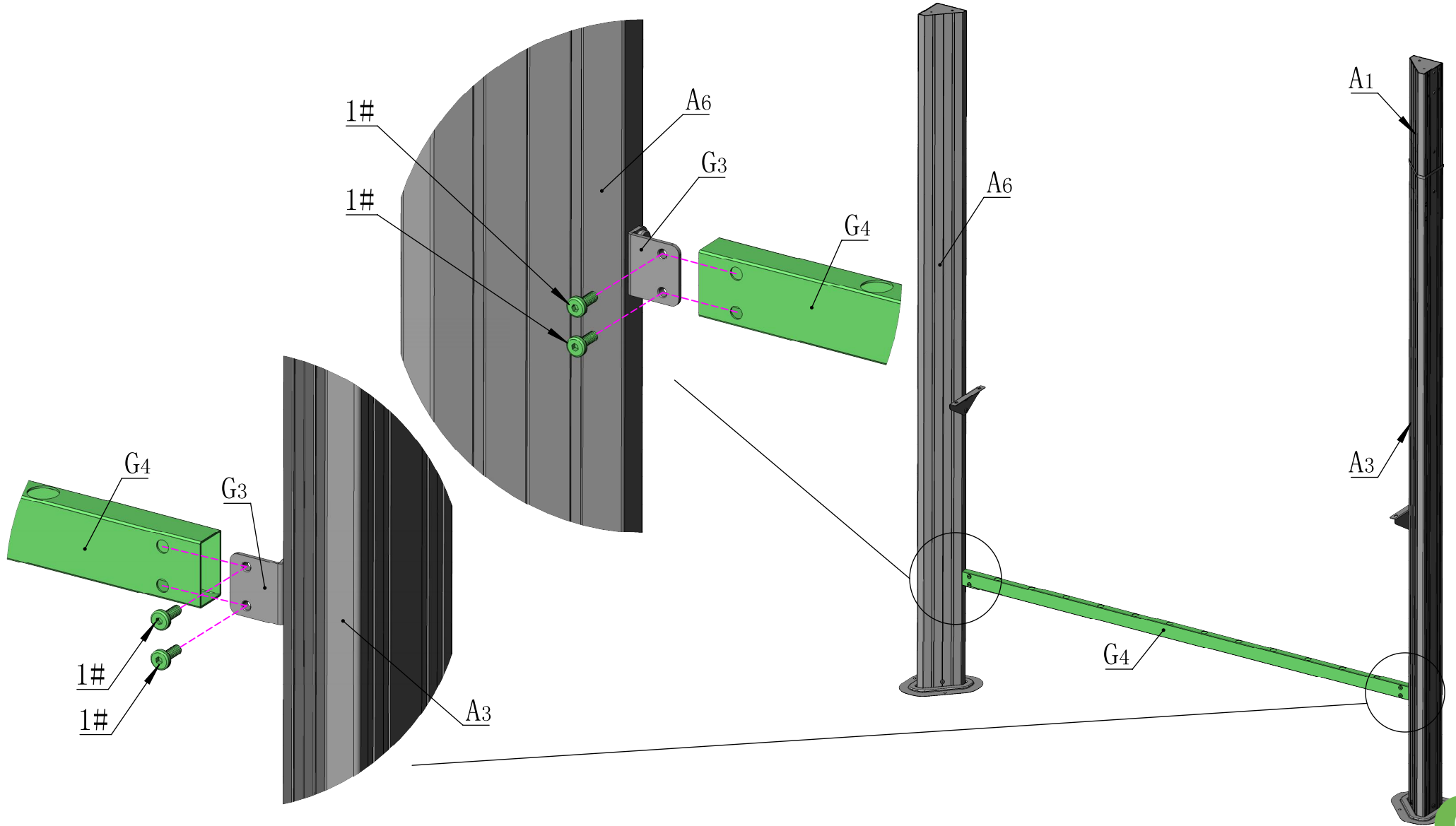
G4 1X

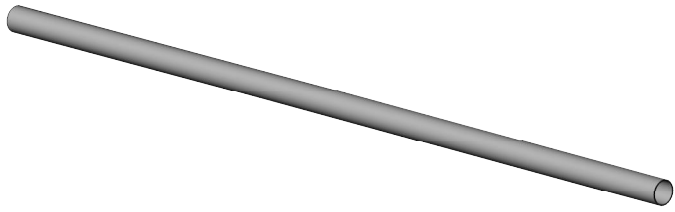


1# 4X

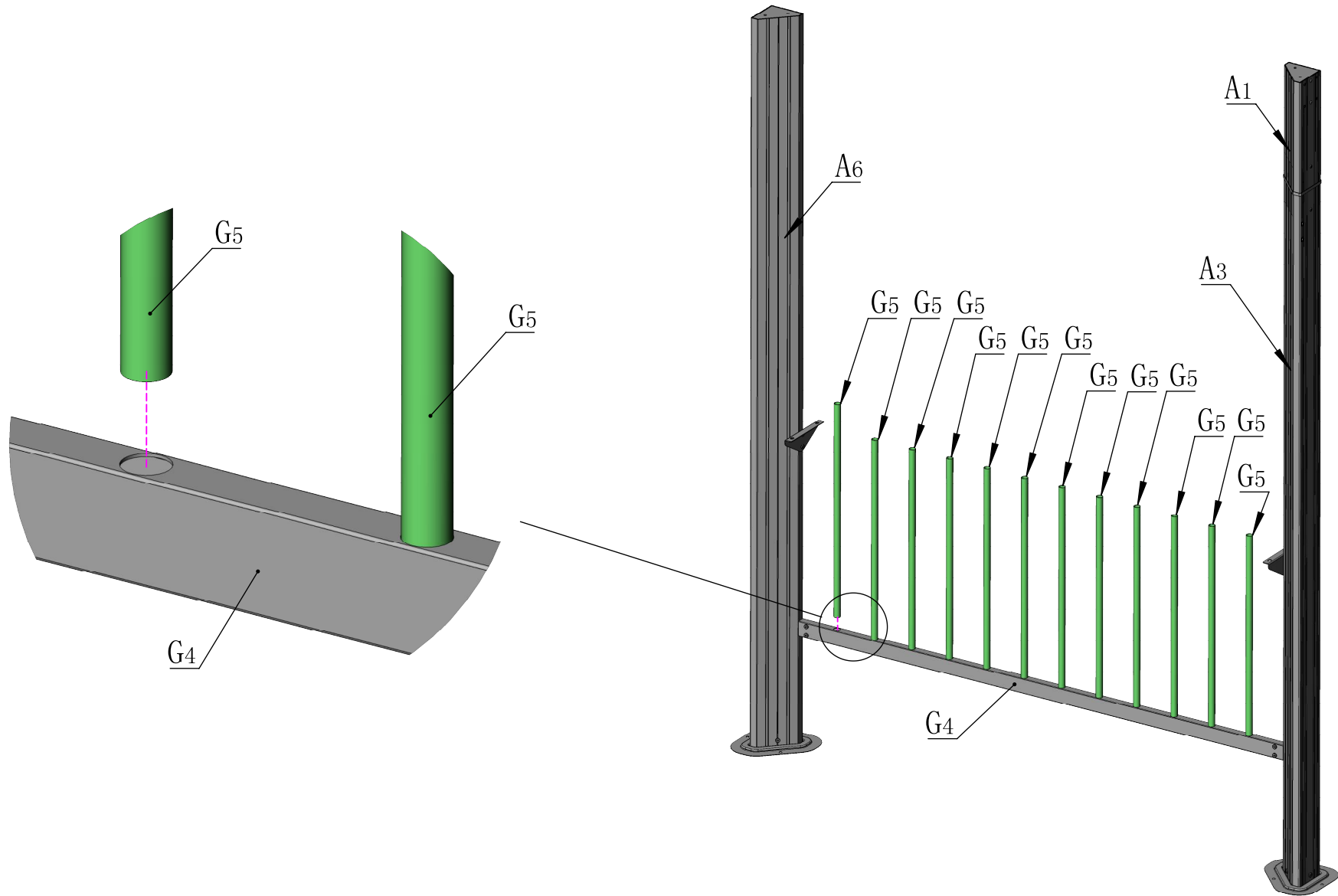


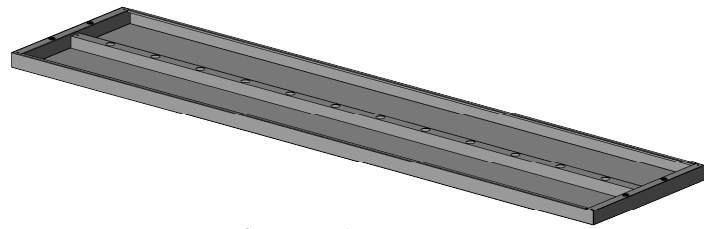
8# 1X



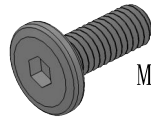


G5 12X



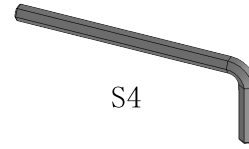


G1 1X



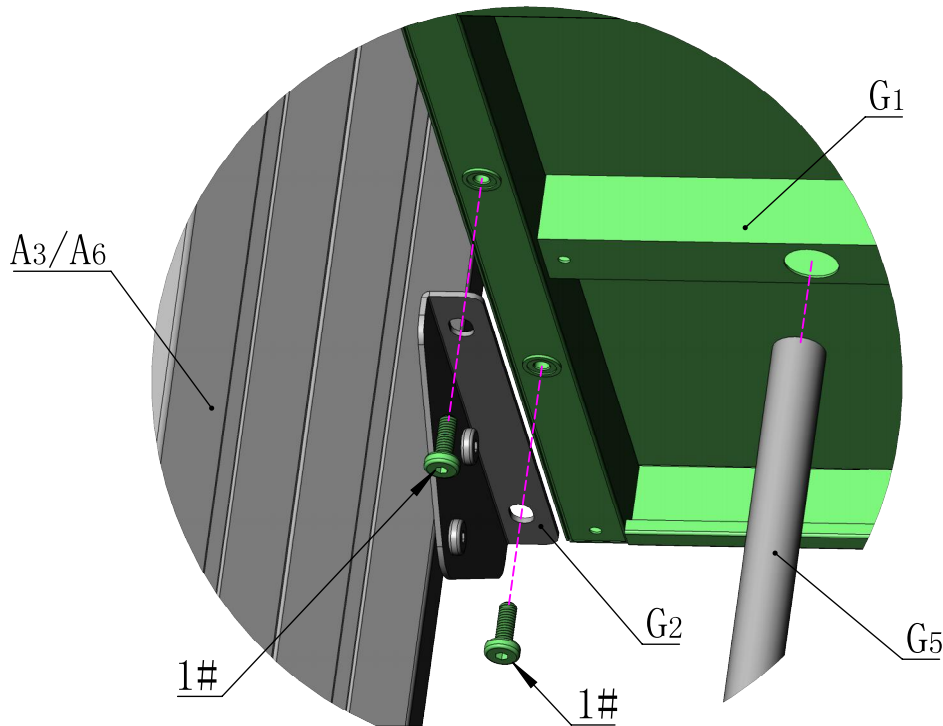
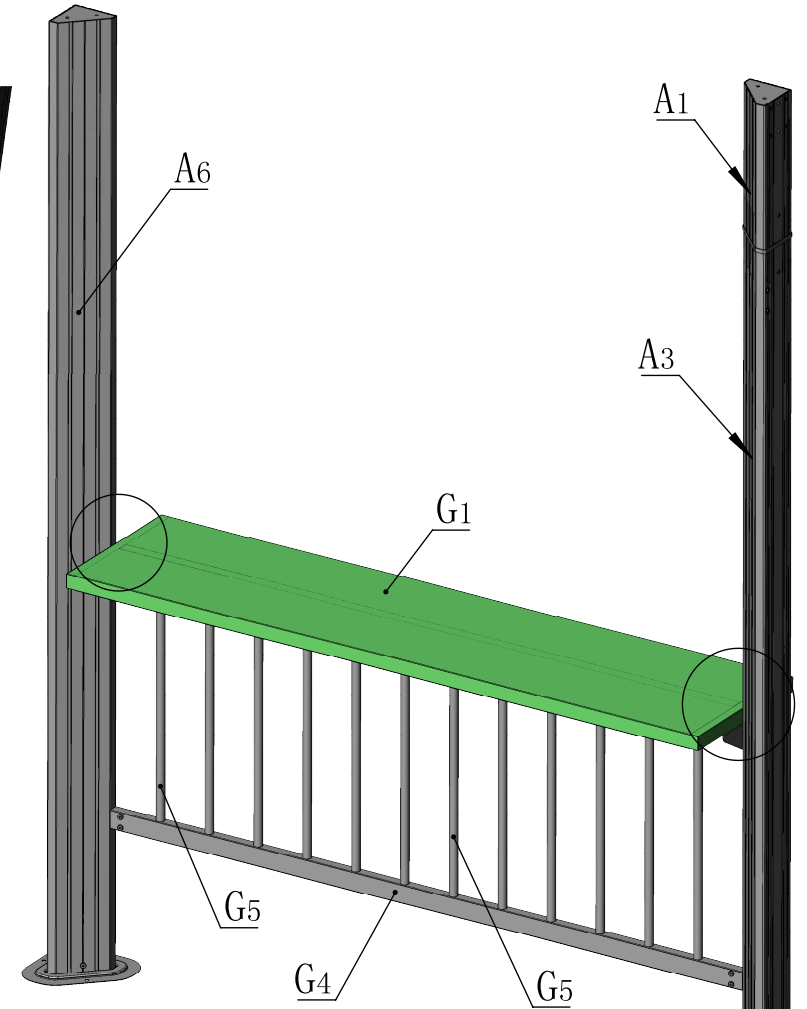
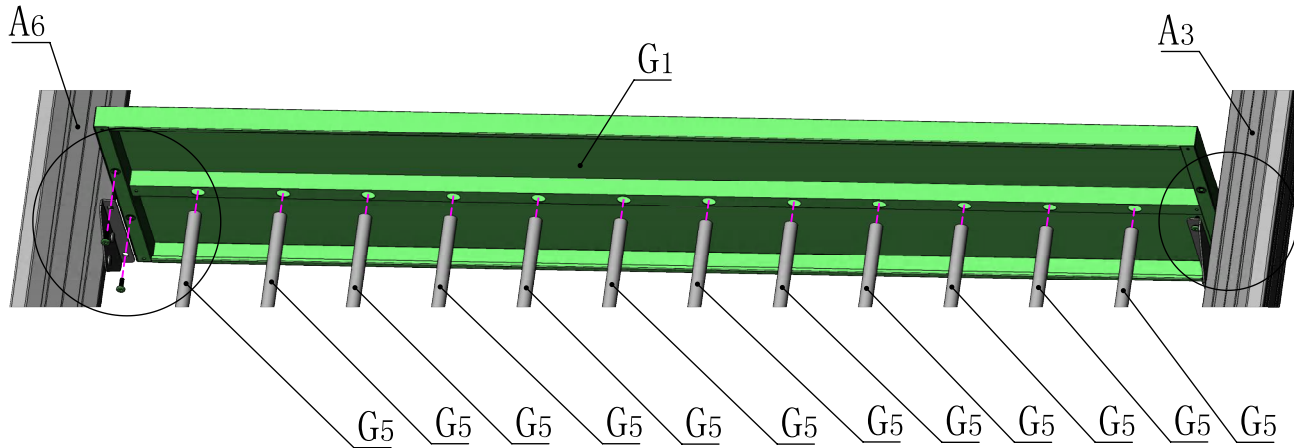
M6*16

1# 4X

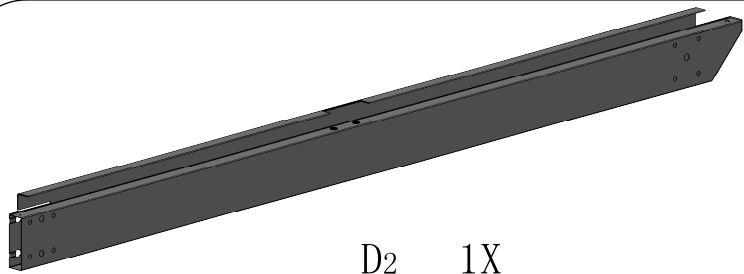


S4

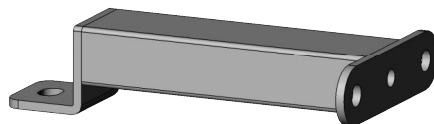
8# 1X



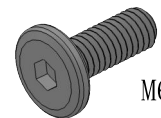
Note: Each decorative tube is inserted into the desktop transom tube hole before the desktop screws are set.



D2 1X

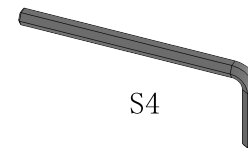


D1 1X



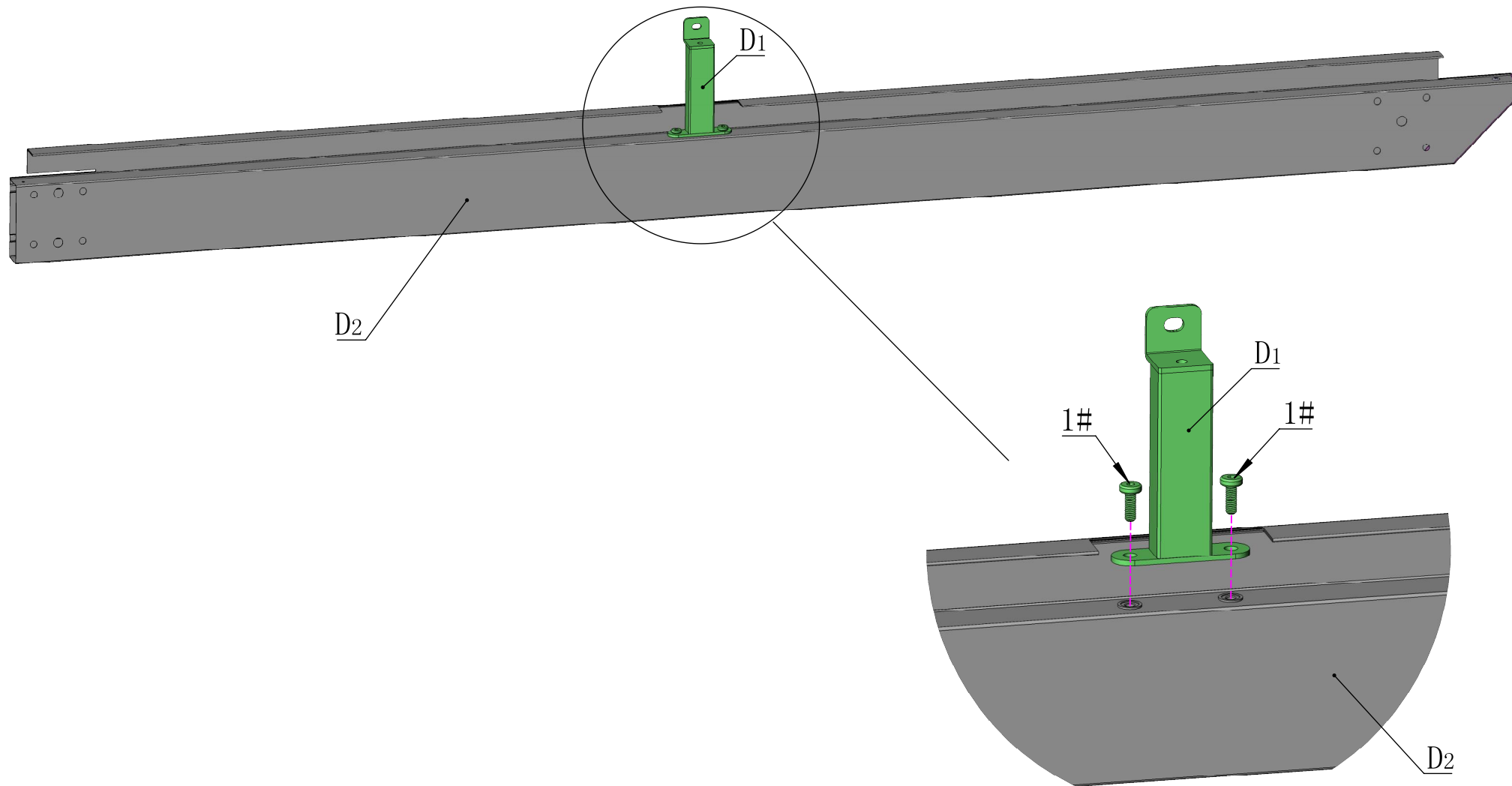
M6*16

1# 2X



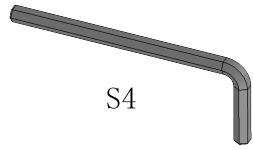
S4

8# 1X



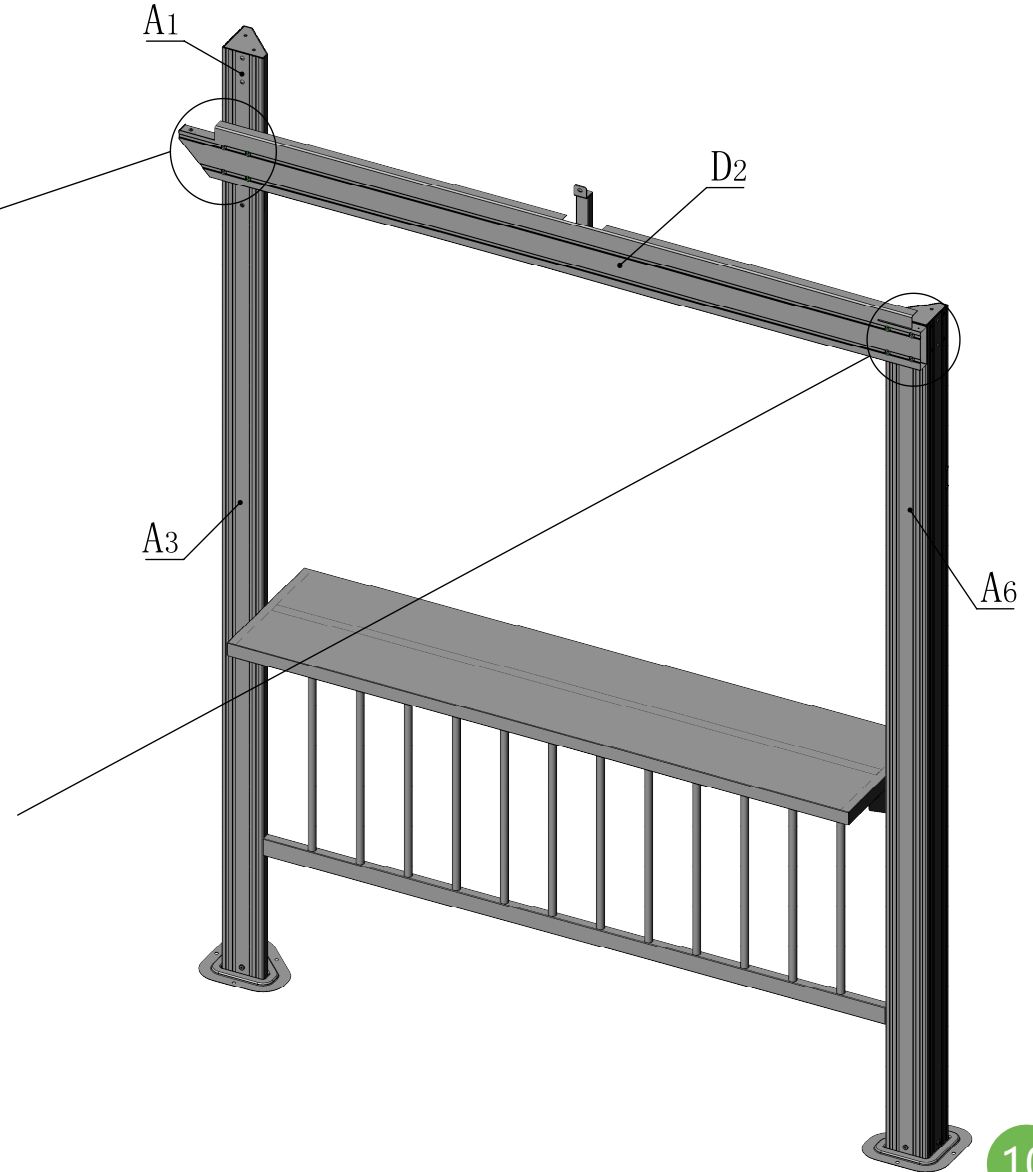
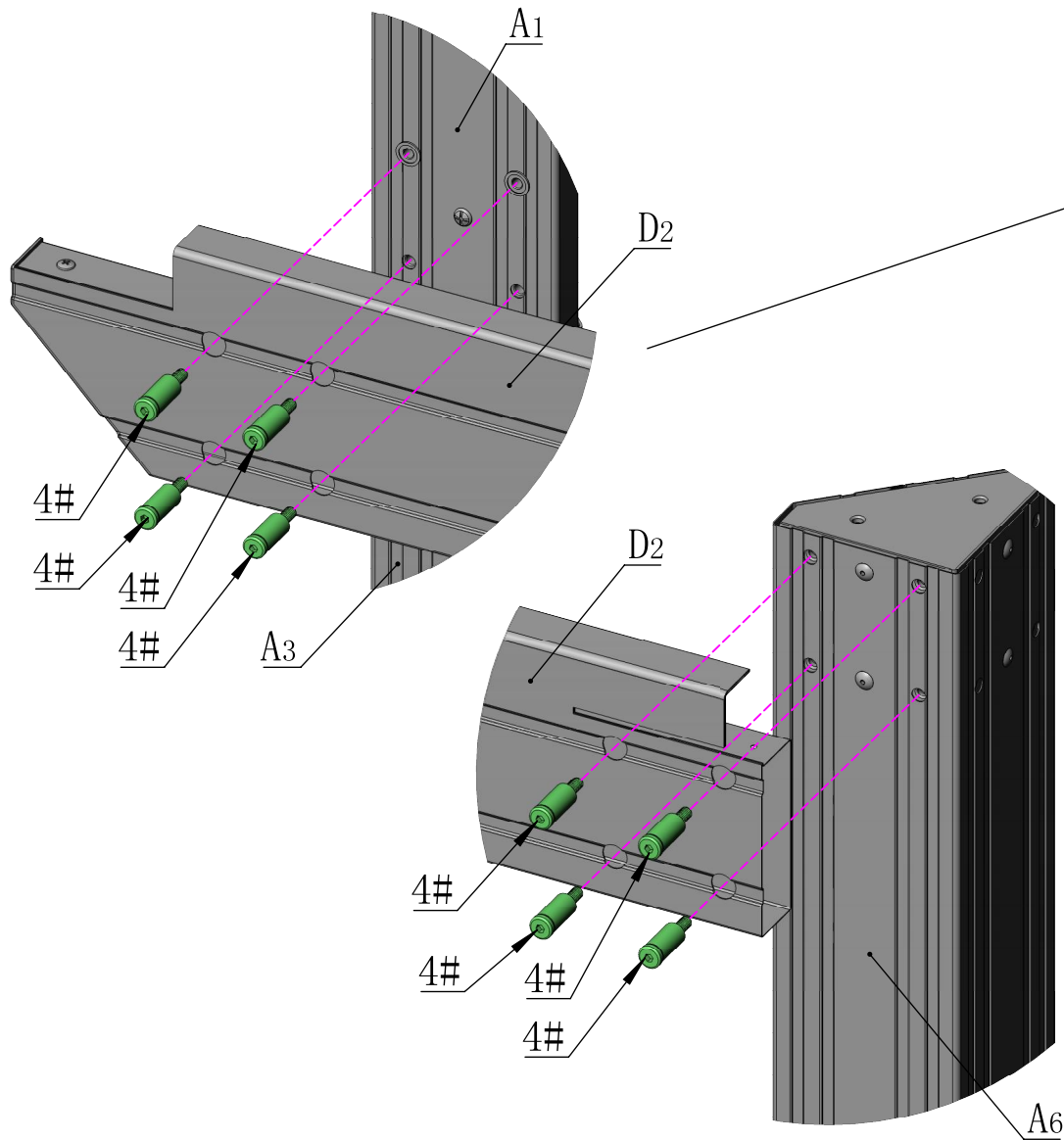


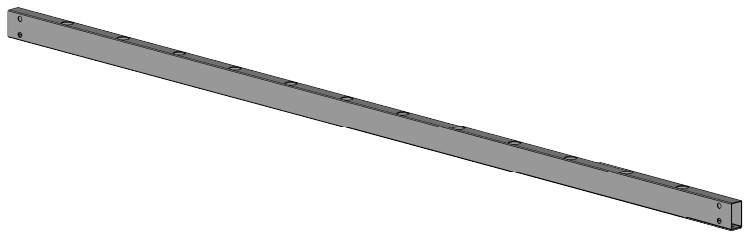
4# 8X



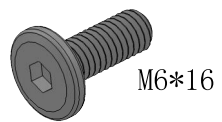
S4

8# 1X

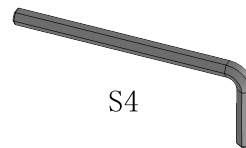




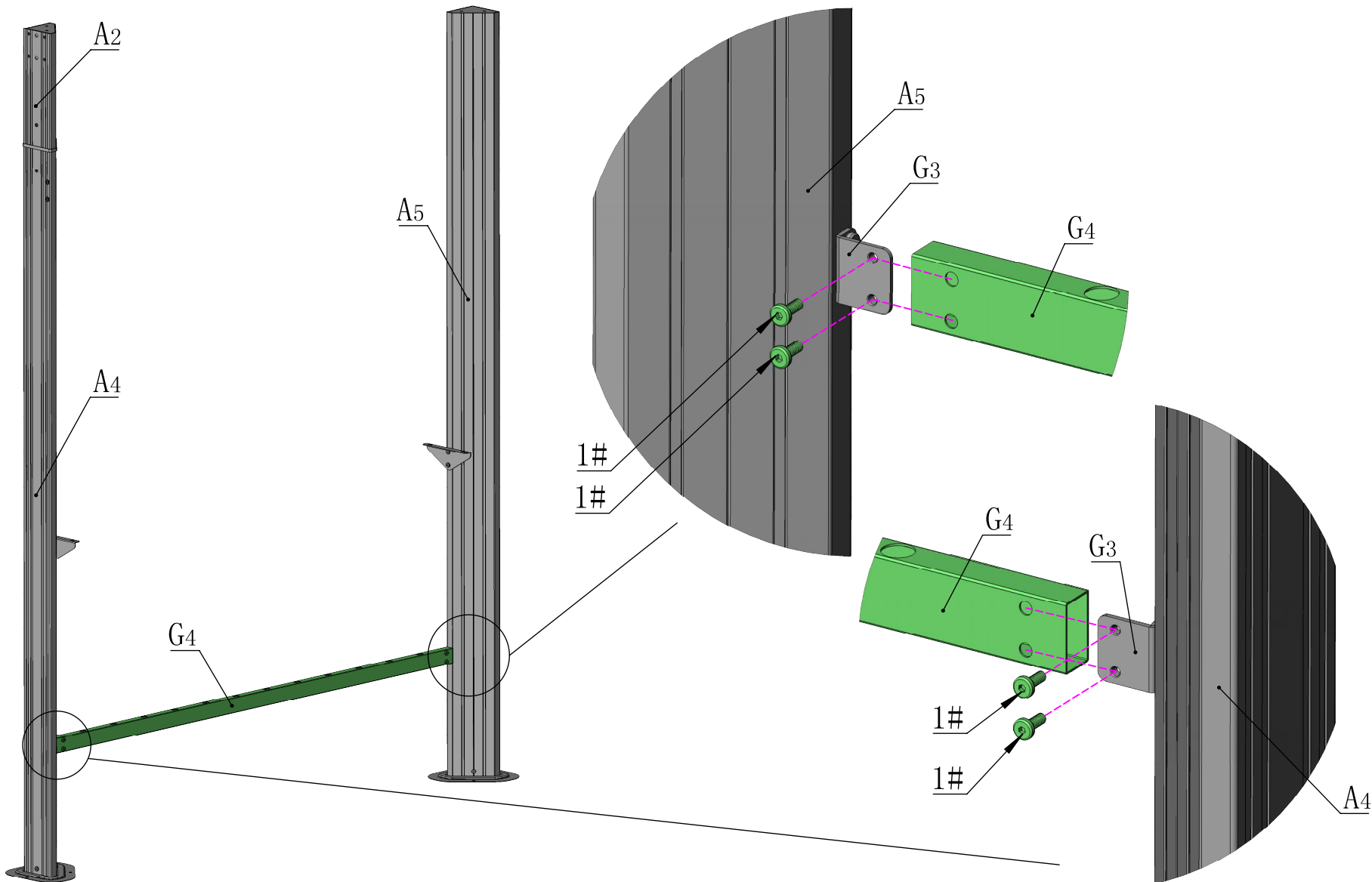
G4 1X

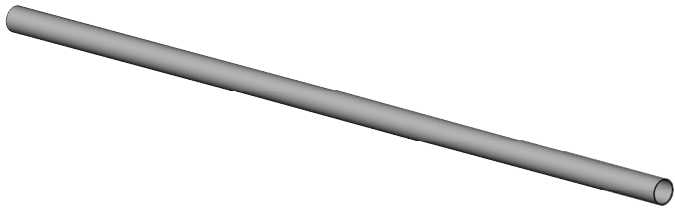


1# 4X

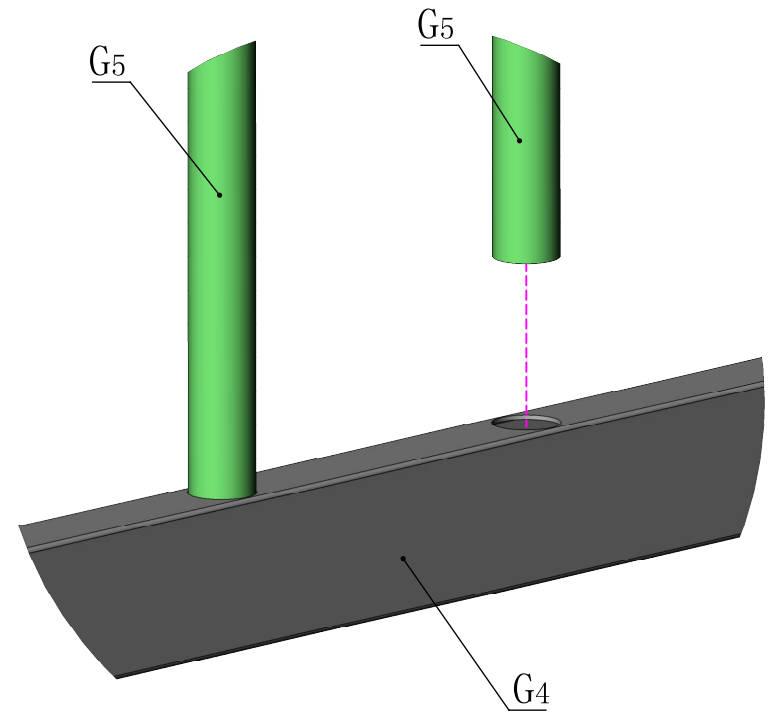
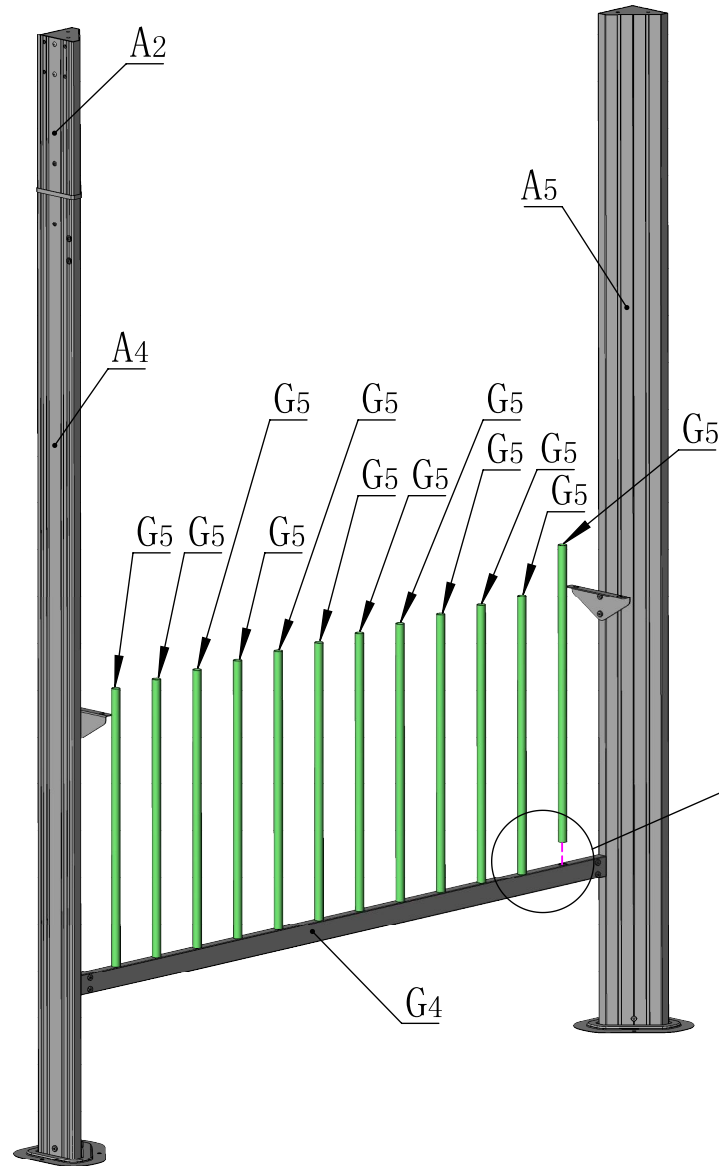


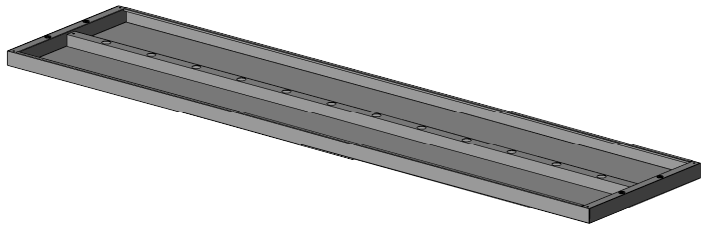
8# 1X



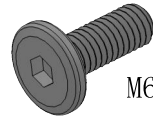


G5 12X



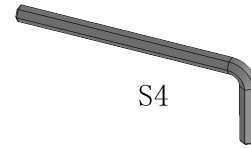


G1 1X



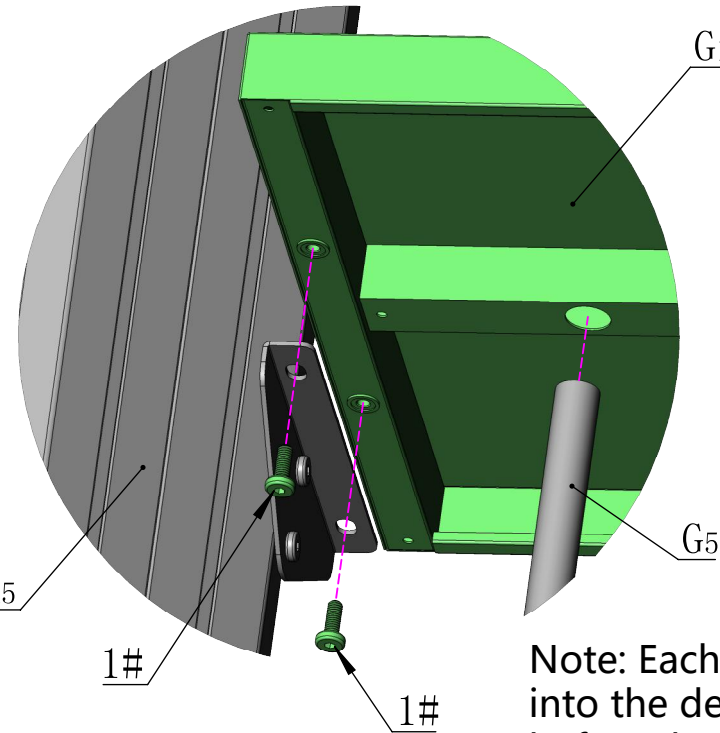
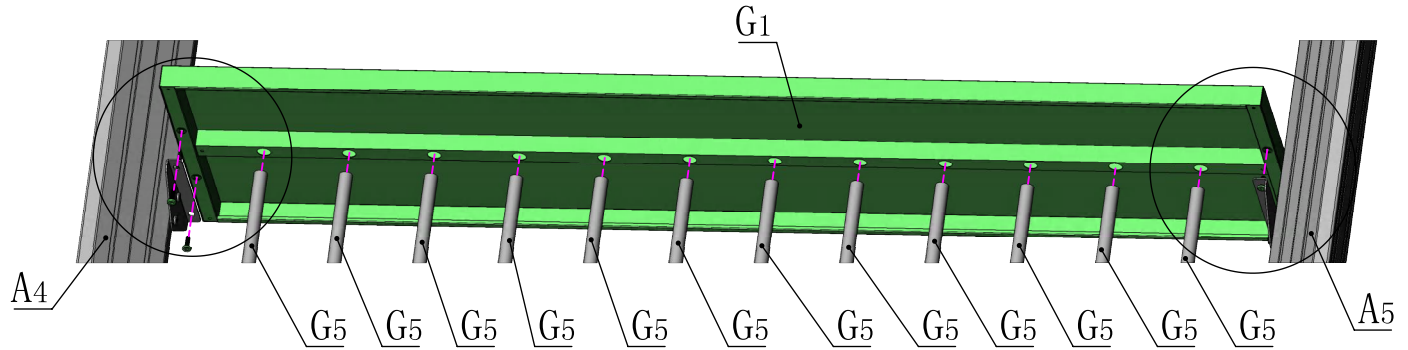
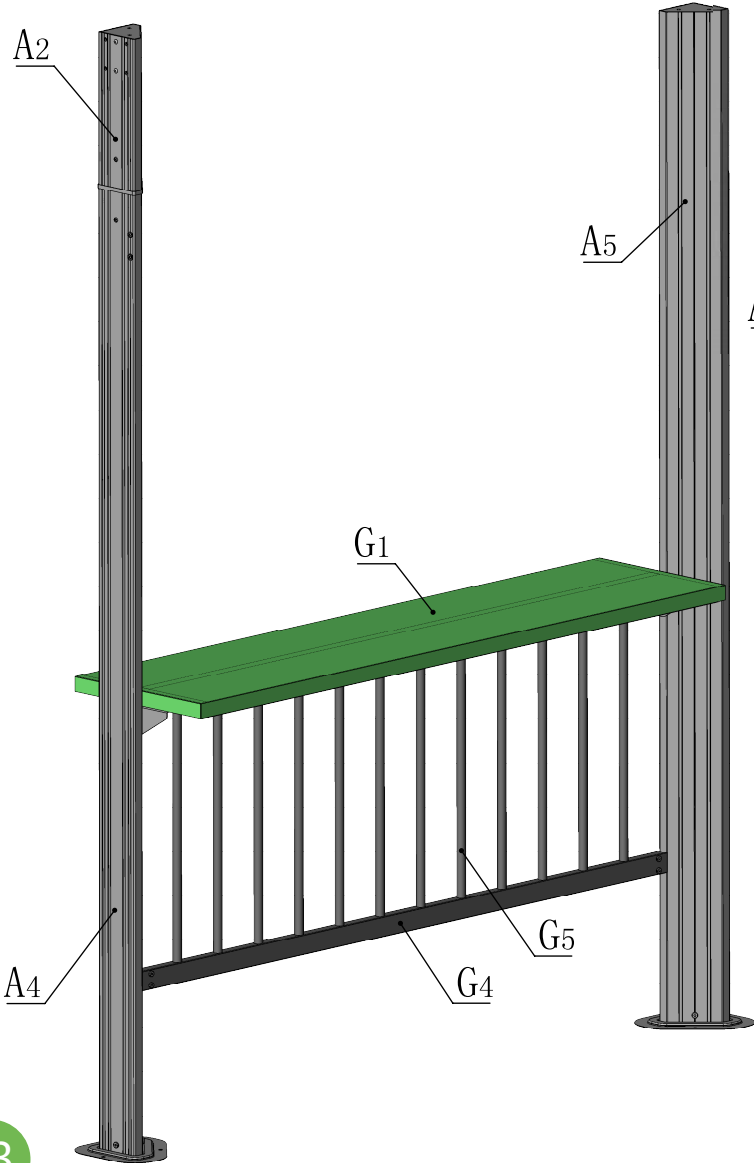
M6*16

1# 4X

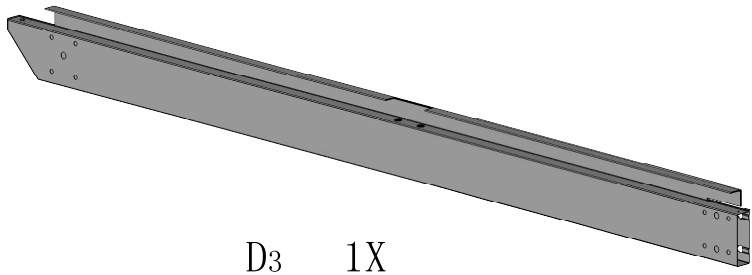


S4

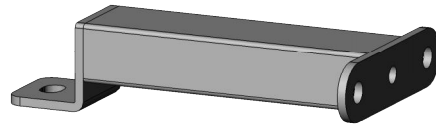
8# 1X



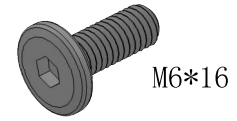
Note: Each decorative tube is inserted into the desktop transom tube hole before the desktop screws are set.



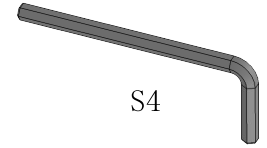
D3 1X



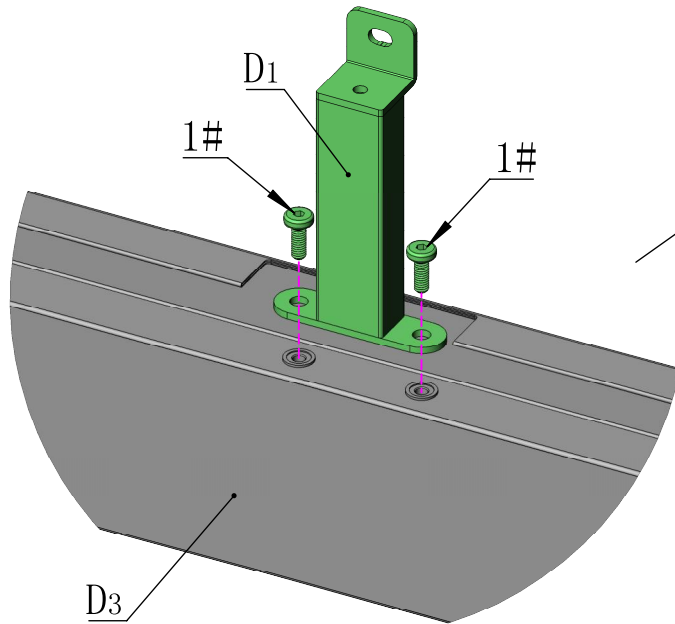
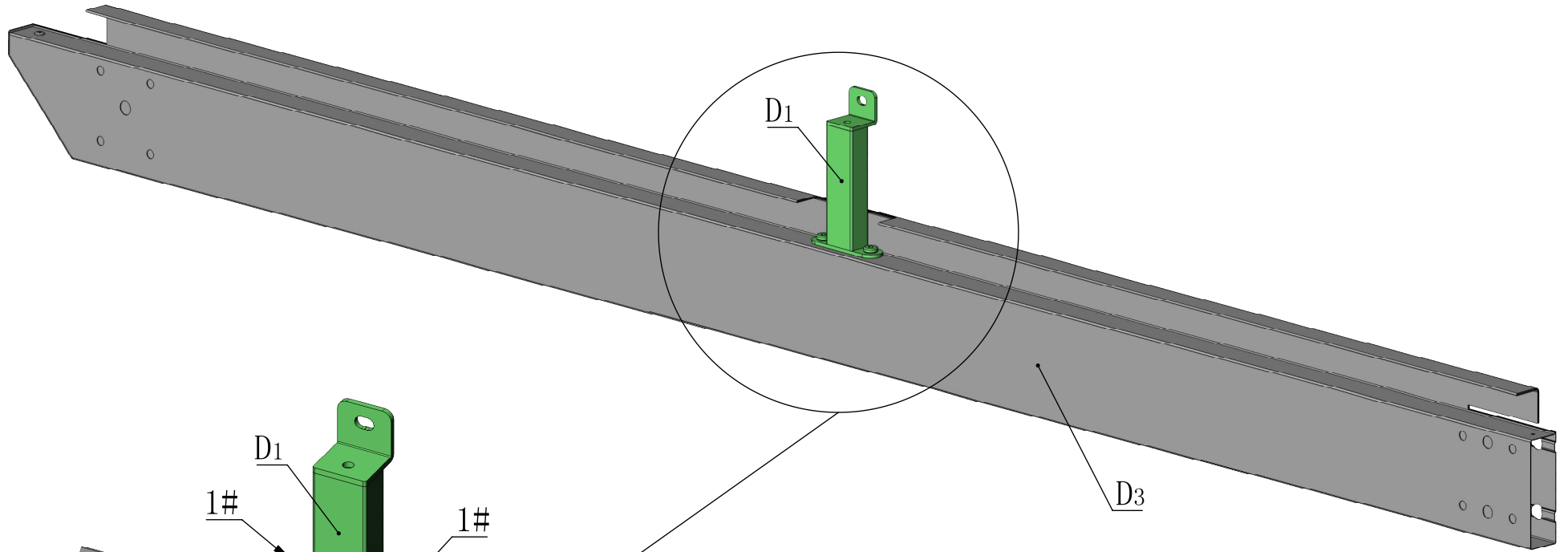
D1 1X



M6*16
1# 2X

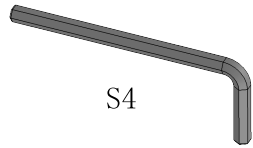


S4
8# 1X



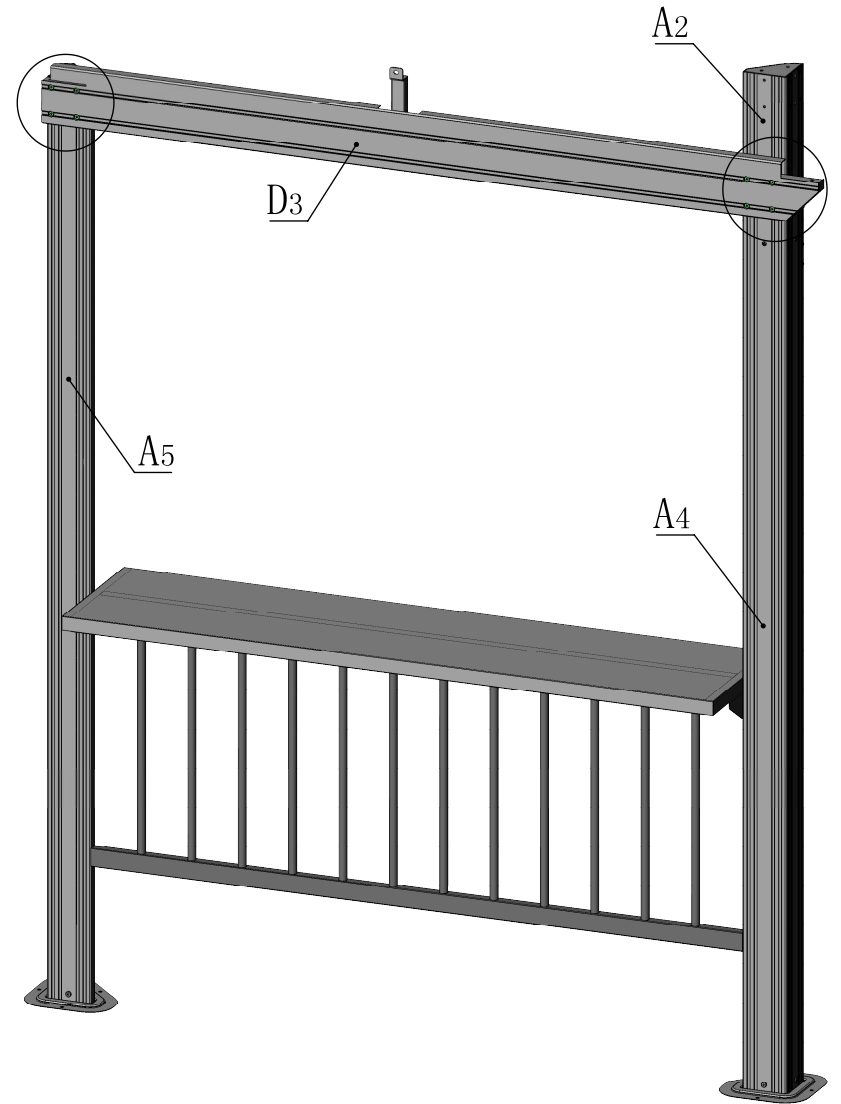
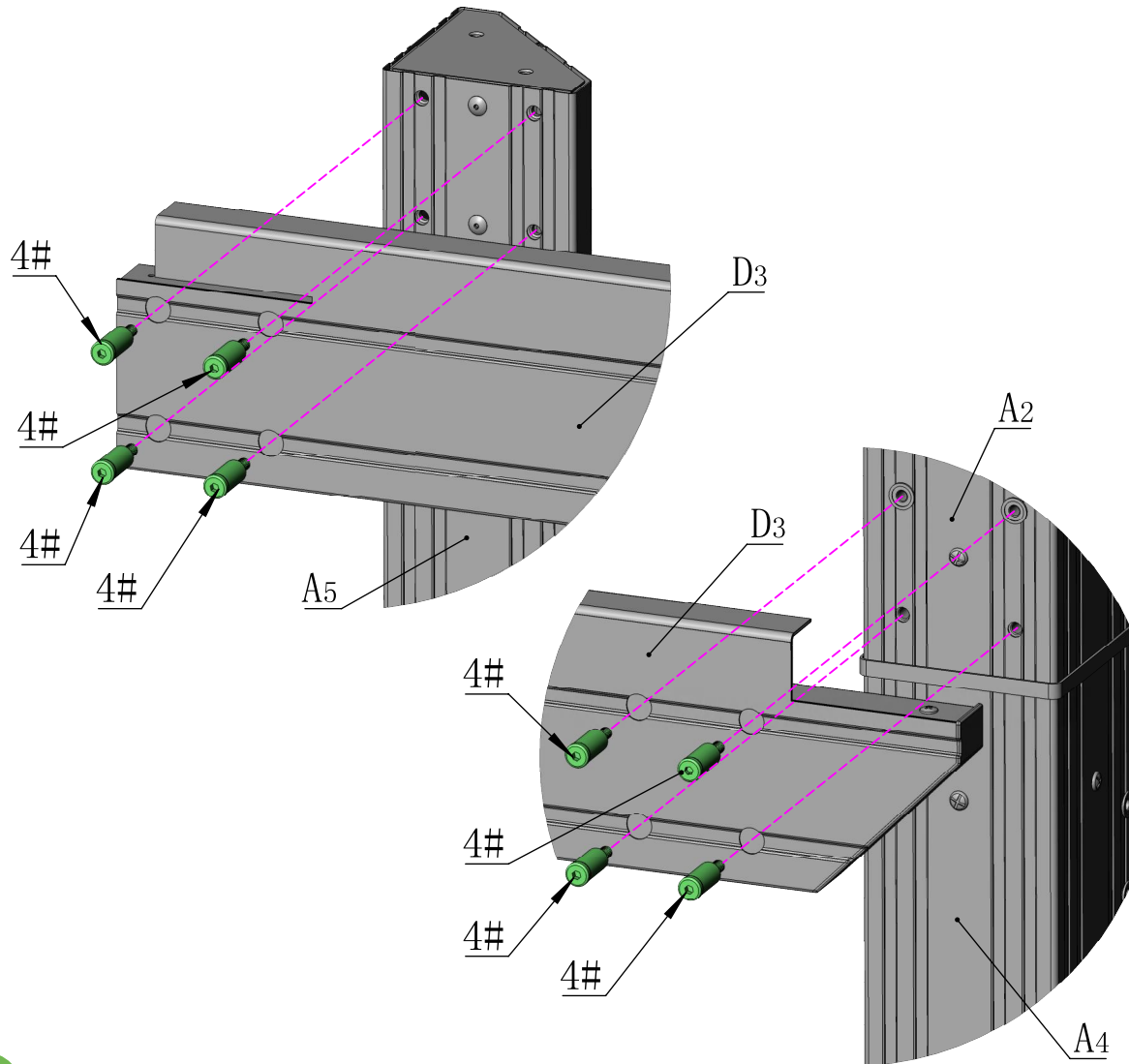


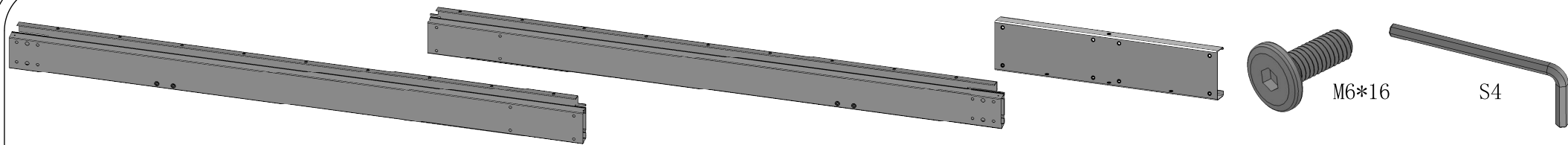
4# 8X



S4

8# 1X





B1 1X

B2 1X

B3 1X

1#

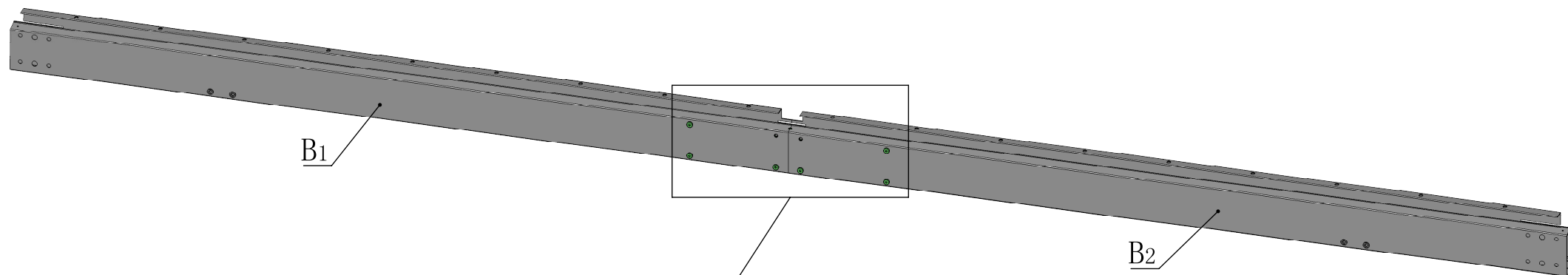
M6*16

S4

6X

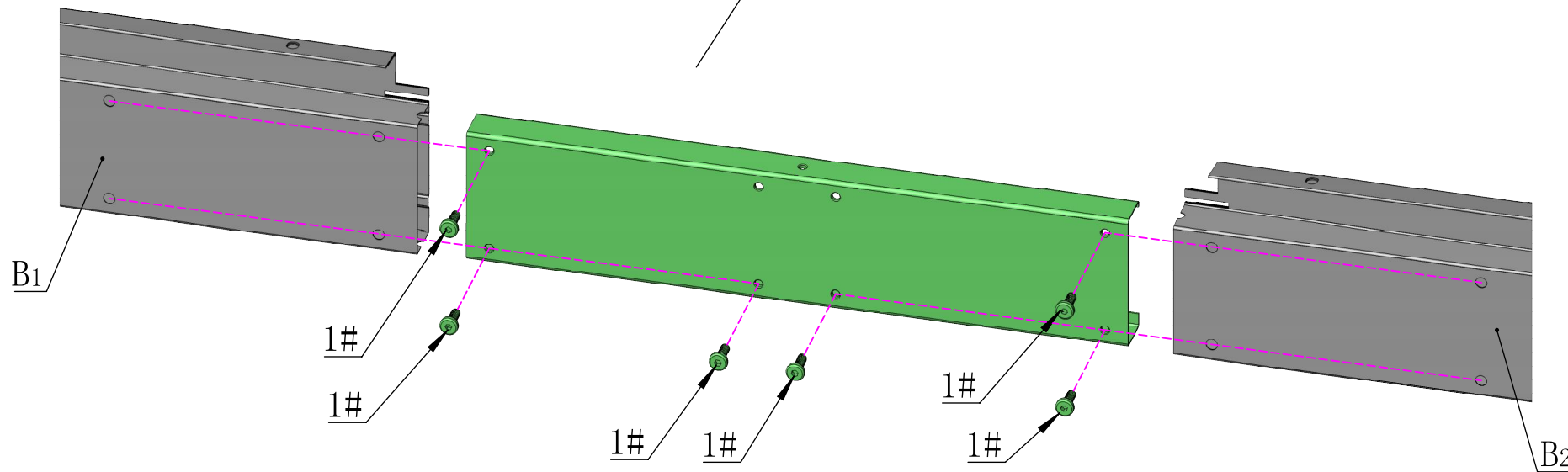
8#

1X



B1

B2



B1

1#

1#

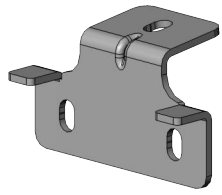
1#

1#

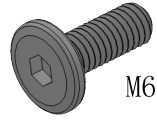
1#

1#

B2

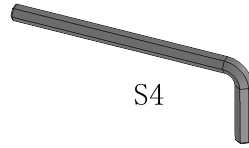


B4 1X



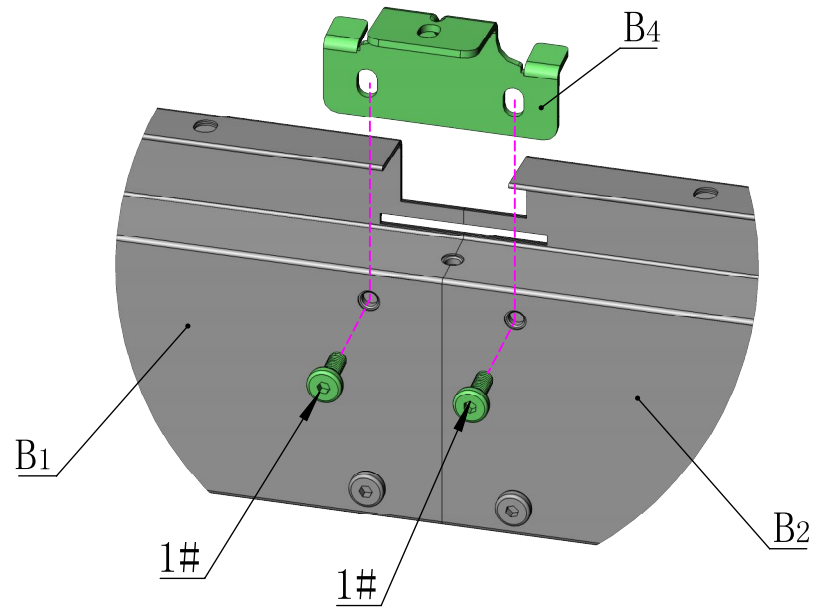
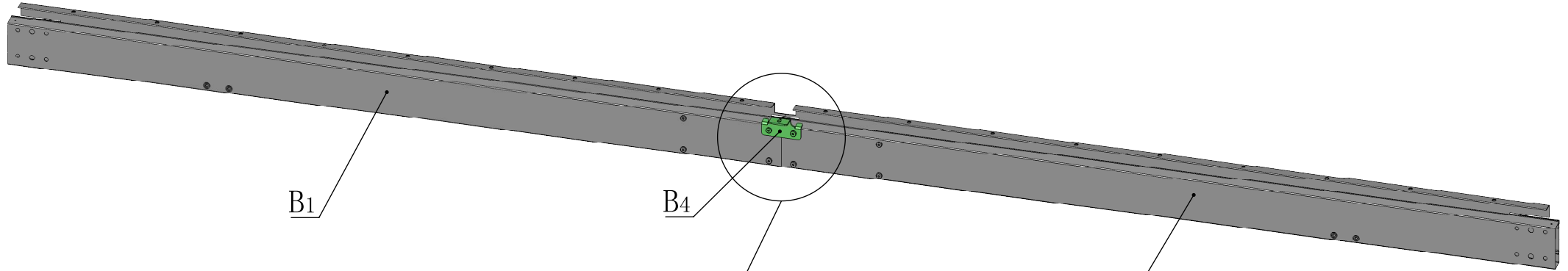
M6*16

1# 2X



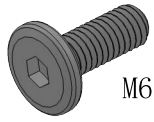
S4

8# 1X



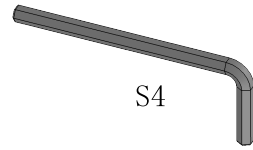


B5 1X



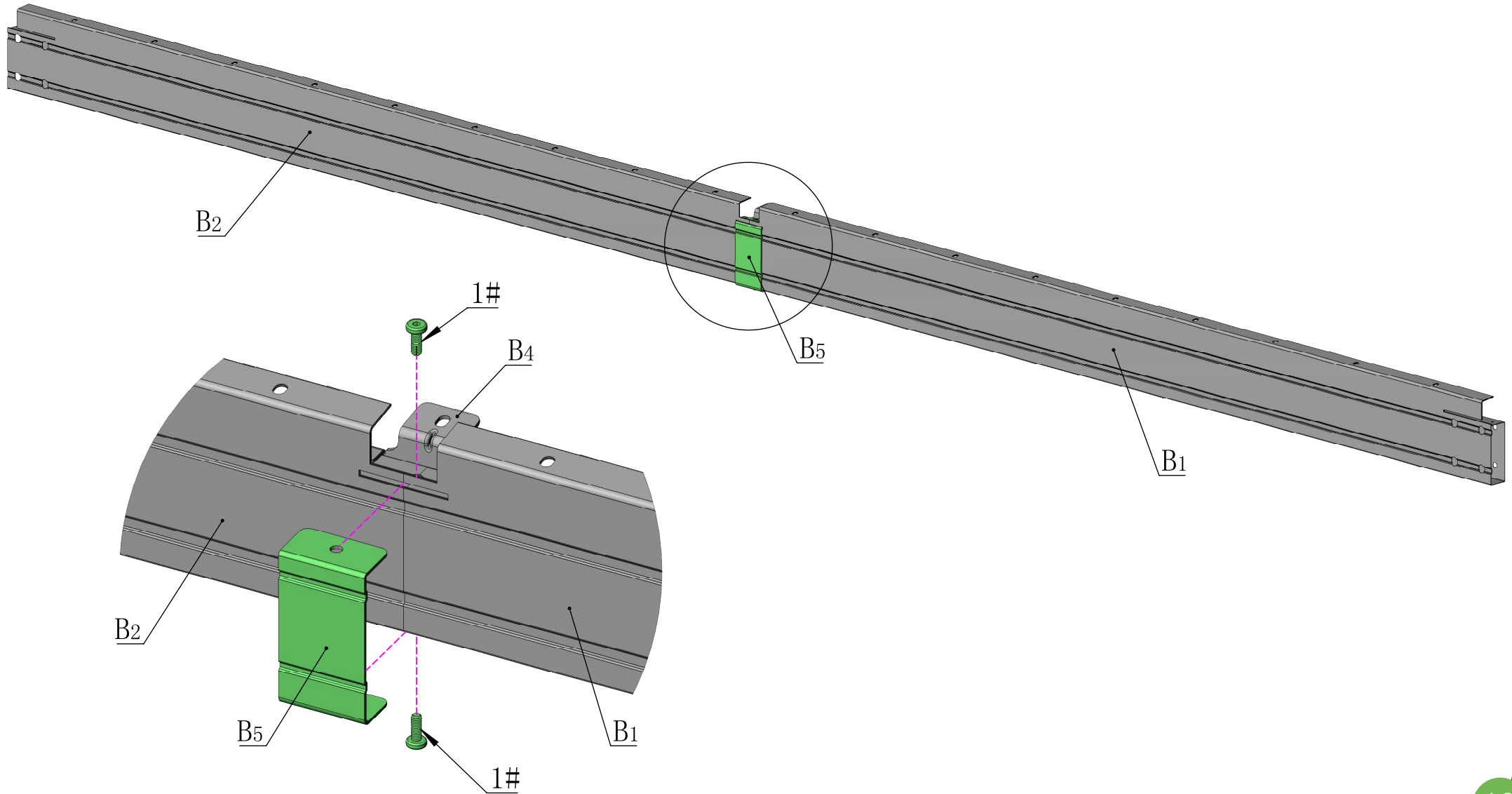
1# 2X

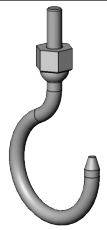
M6*16



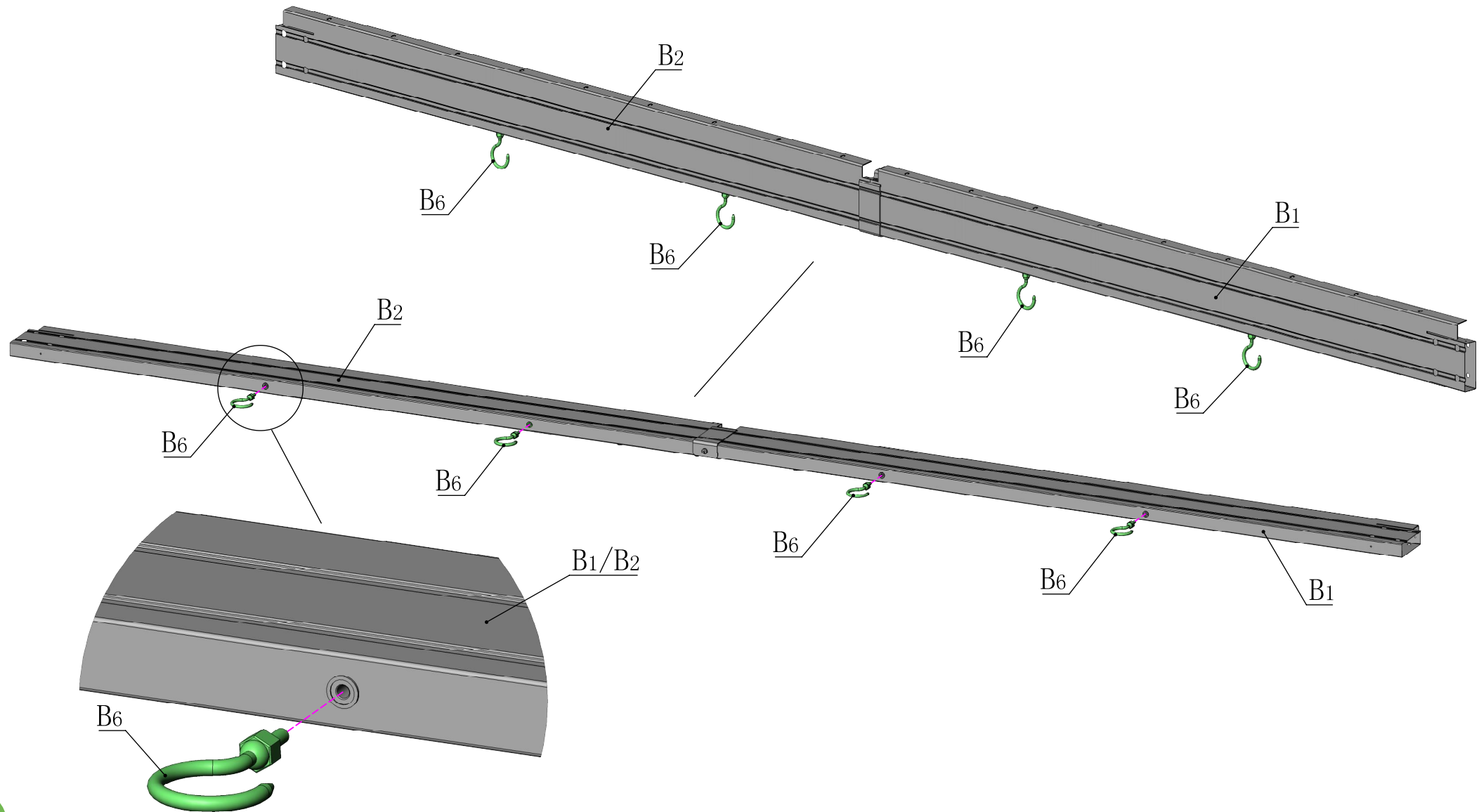
8# 1X

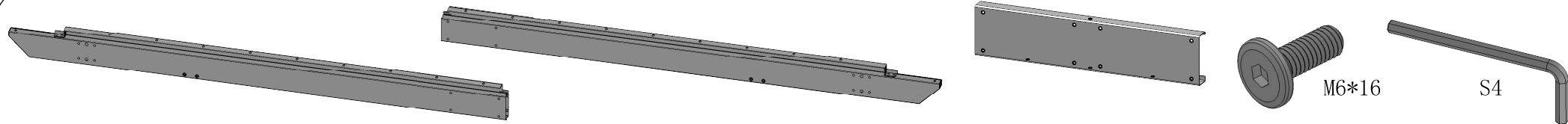
S4





B6 4X





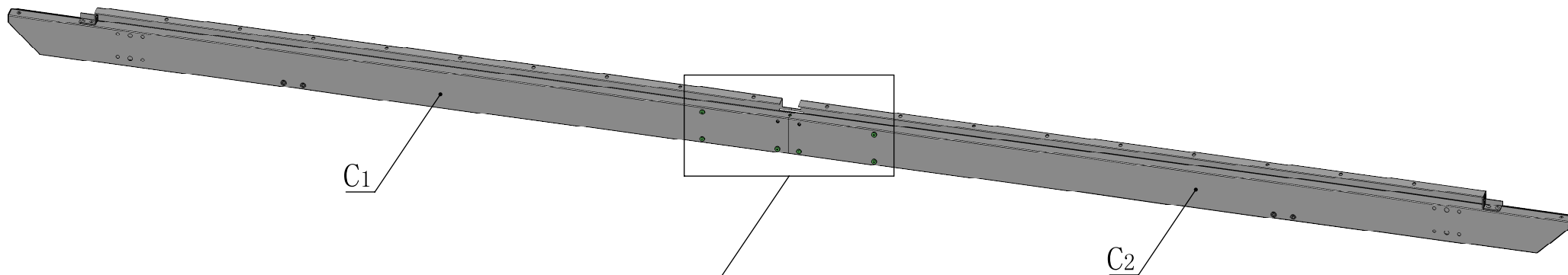
C1 1X

C2 1X

B3 1X

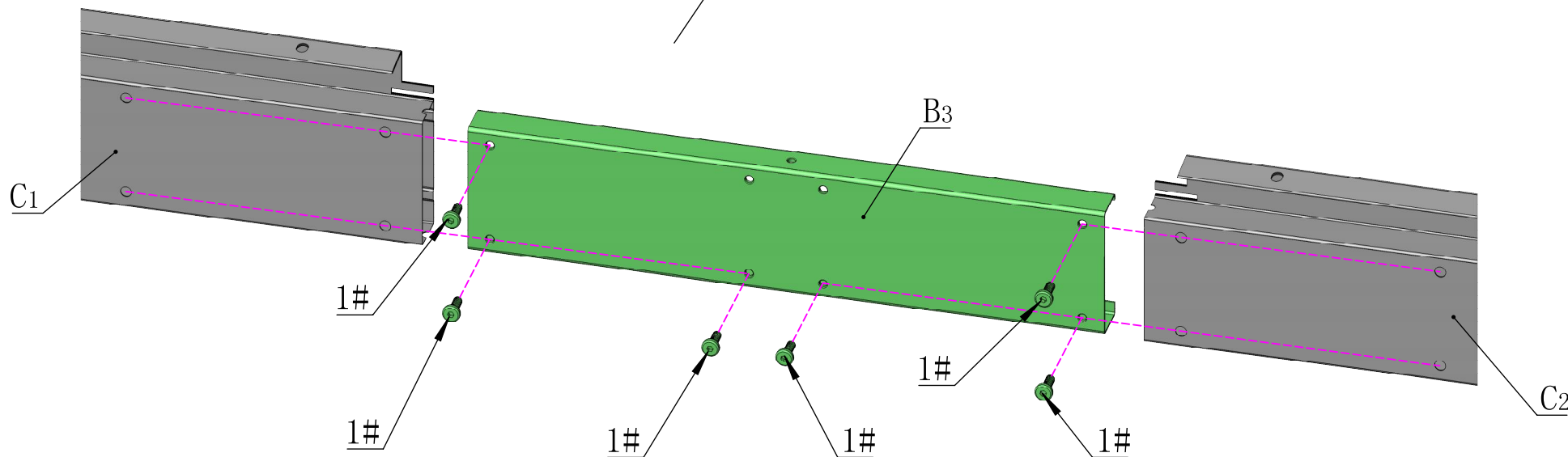
1# 6X

8# 1X



C1

C2



C1

B3

C2

1#

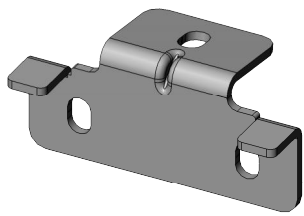
1#

1#

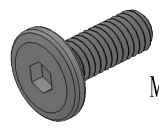
1#

1#

1#

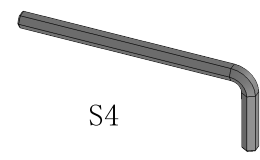


C3 1X



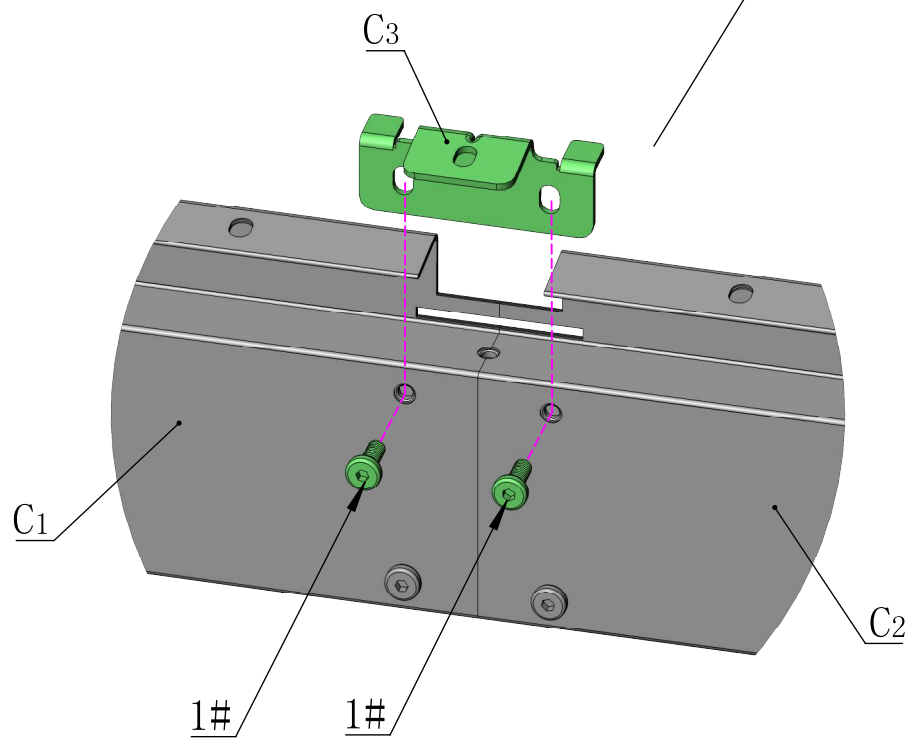
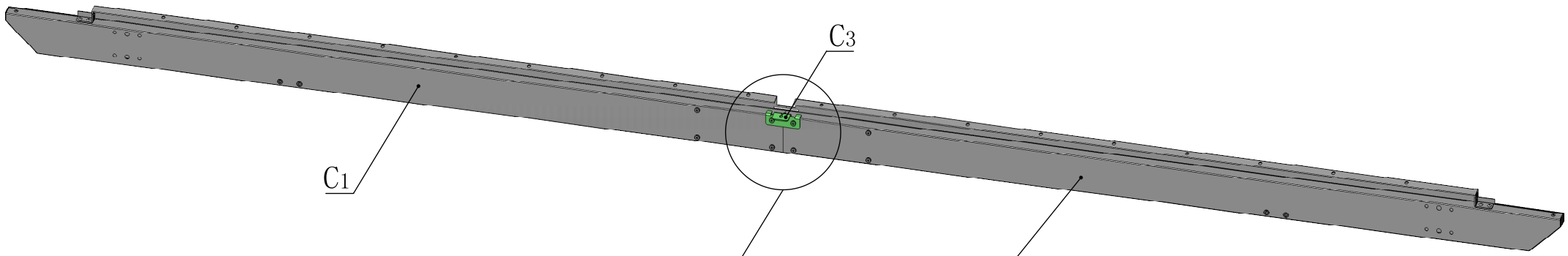
M6*16

1# 2X



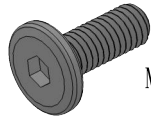
S4

8# 1X



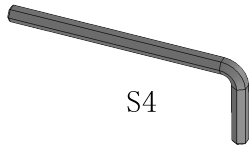


B5 1X



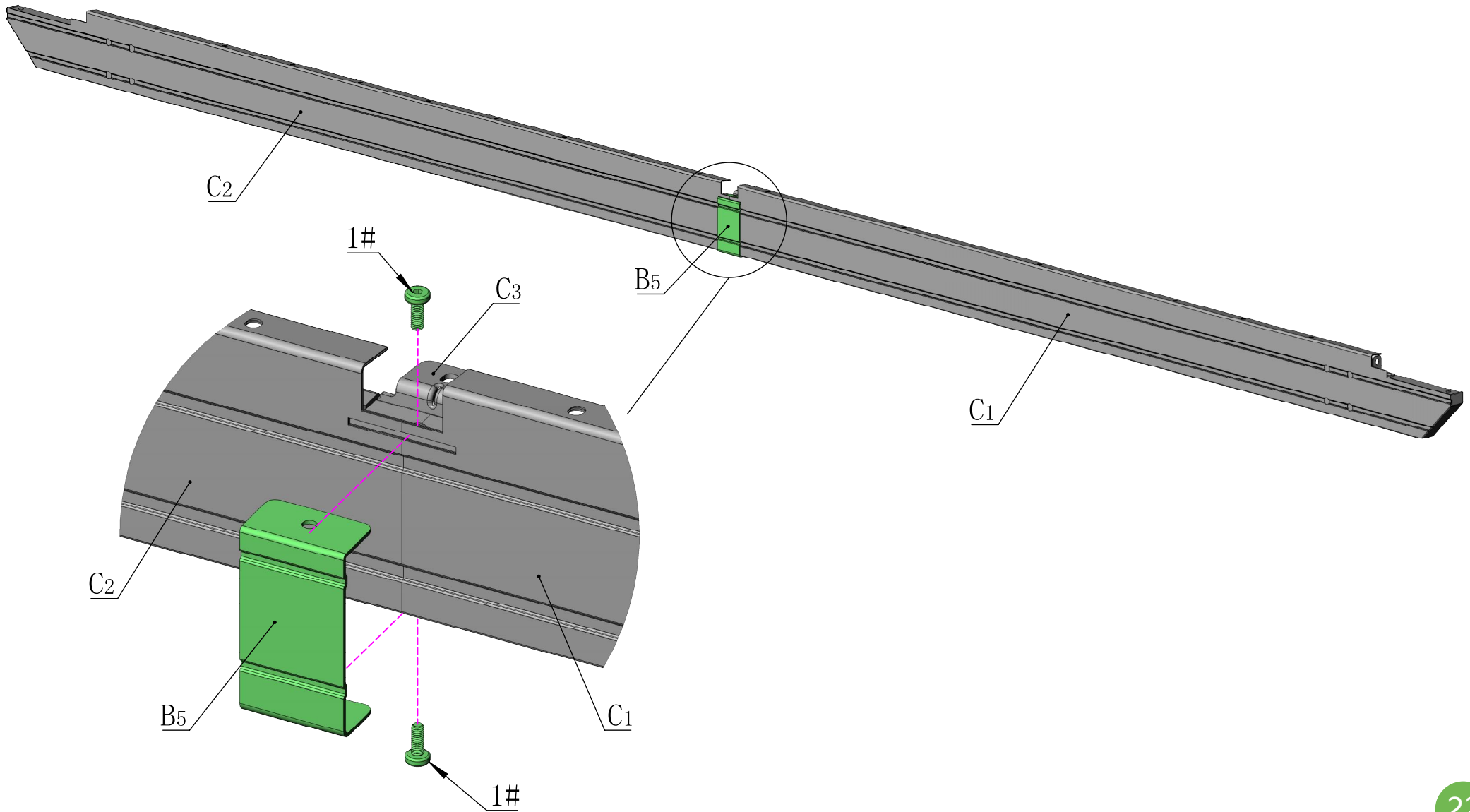
M6*16

1# 2X



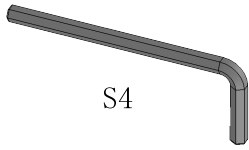
S4

8# 1X

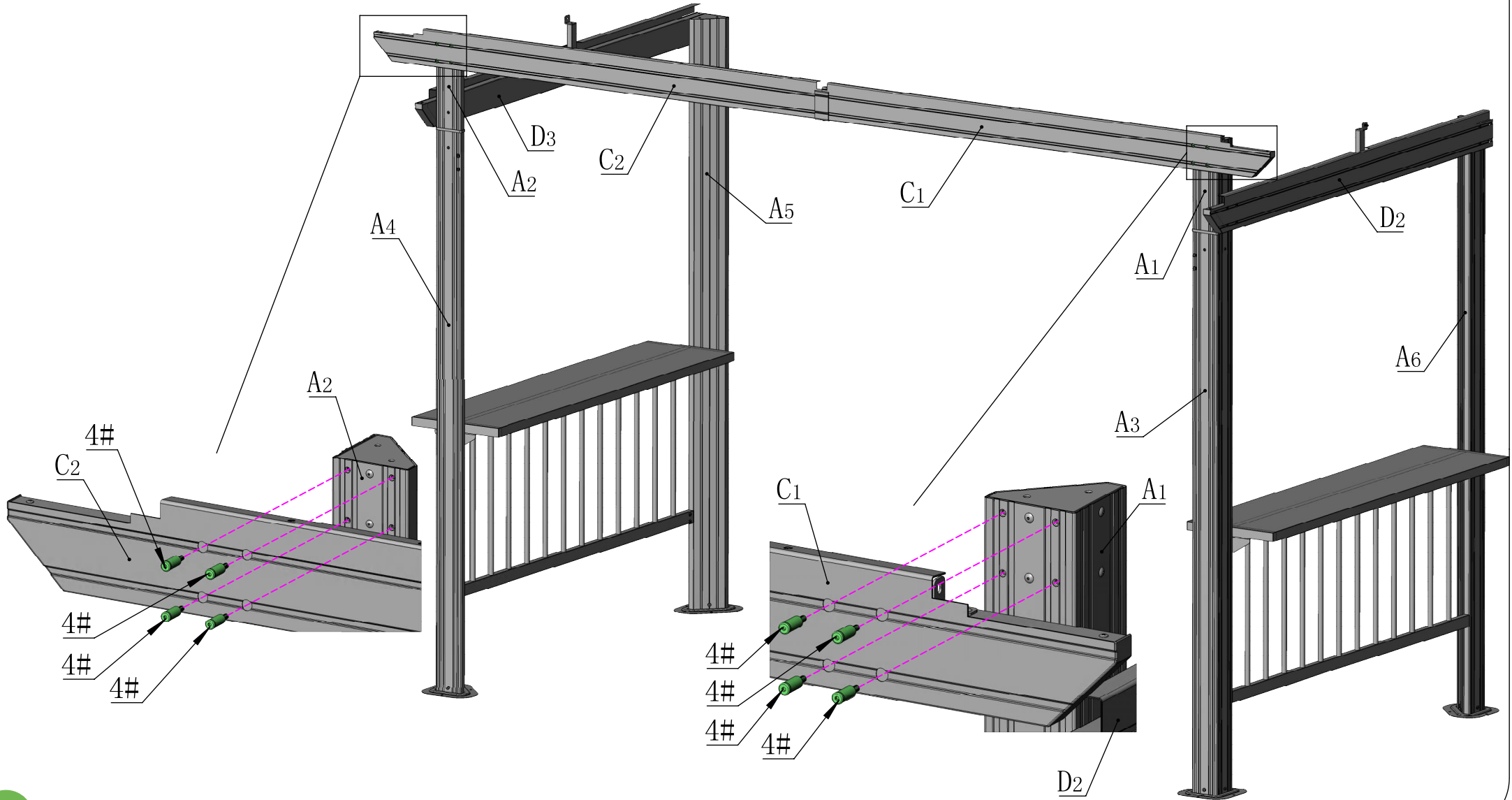




4# 8X

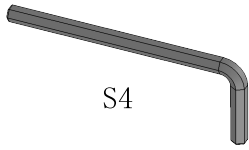


8# 1X



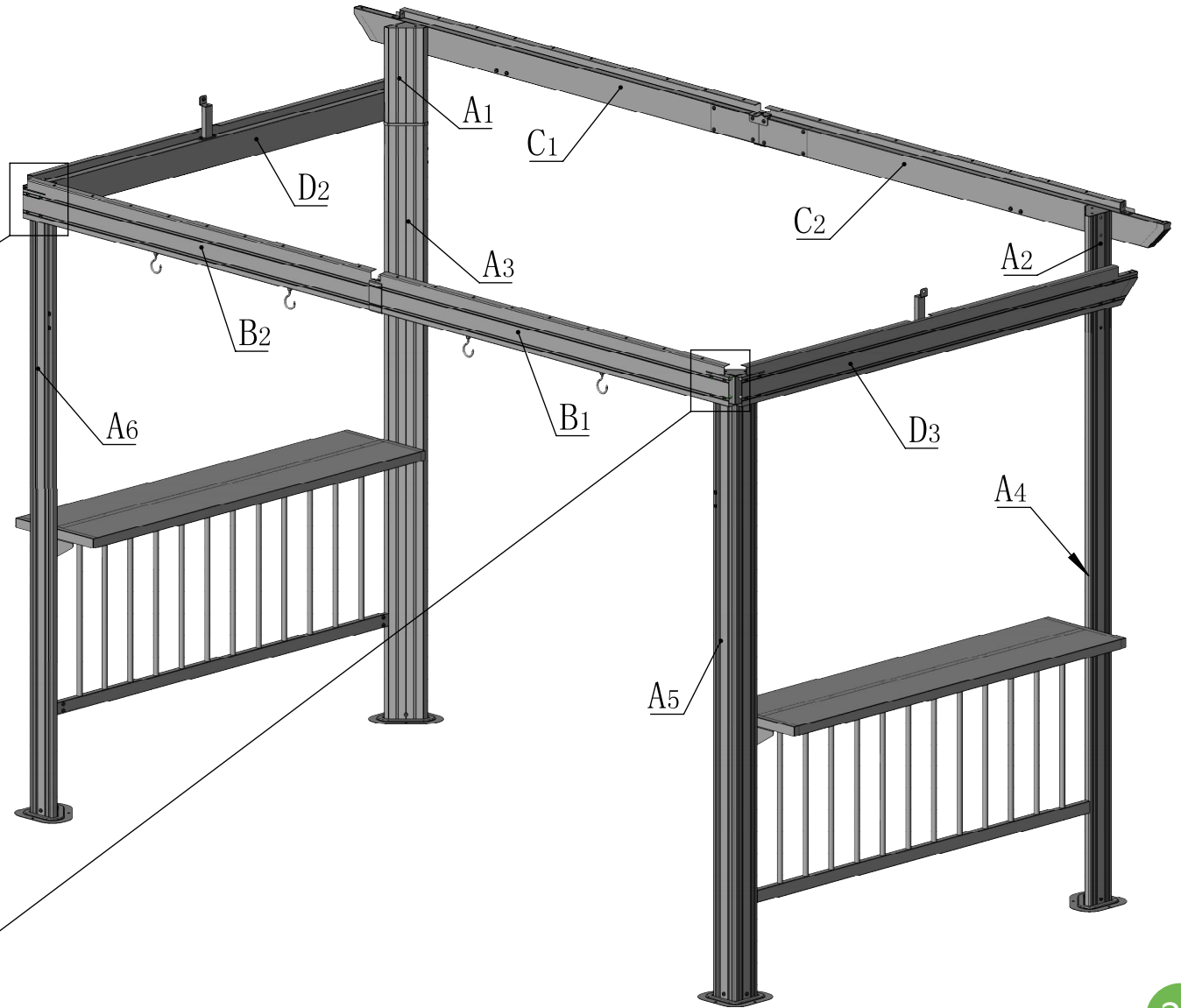
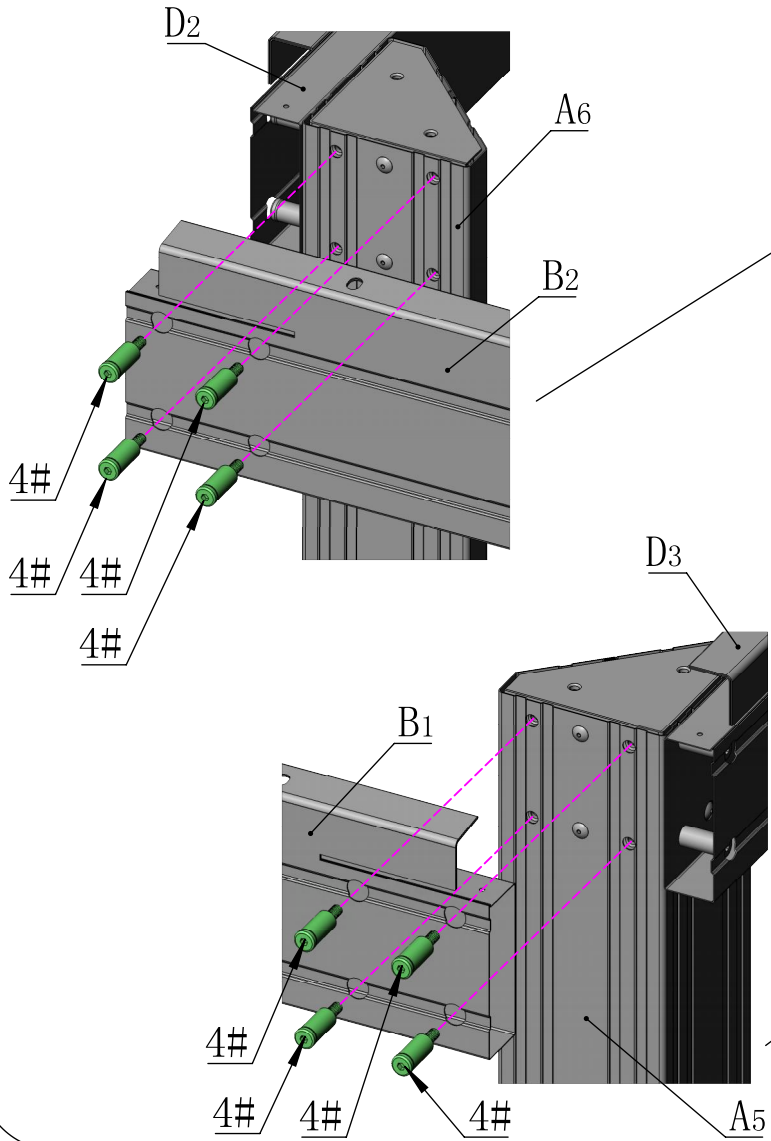


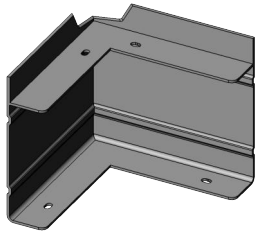
4# 8X



S4

8# 1X



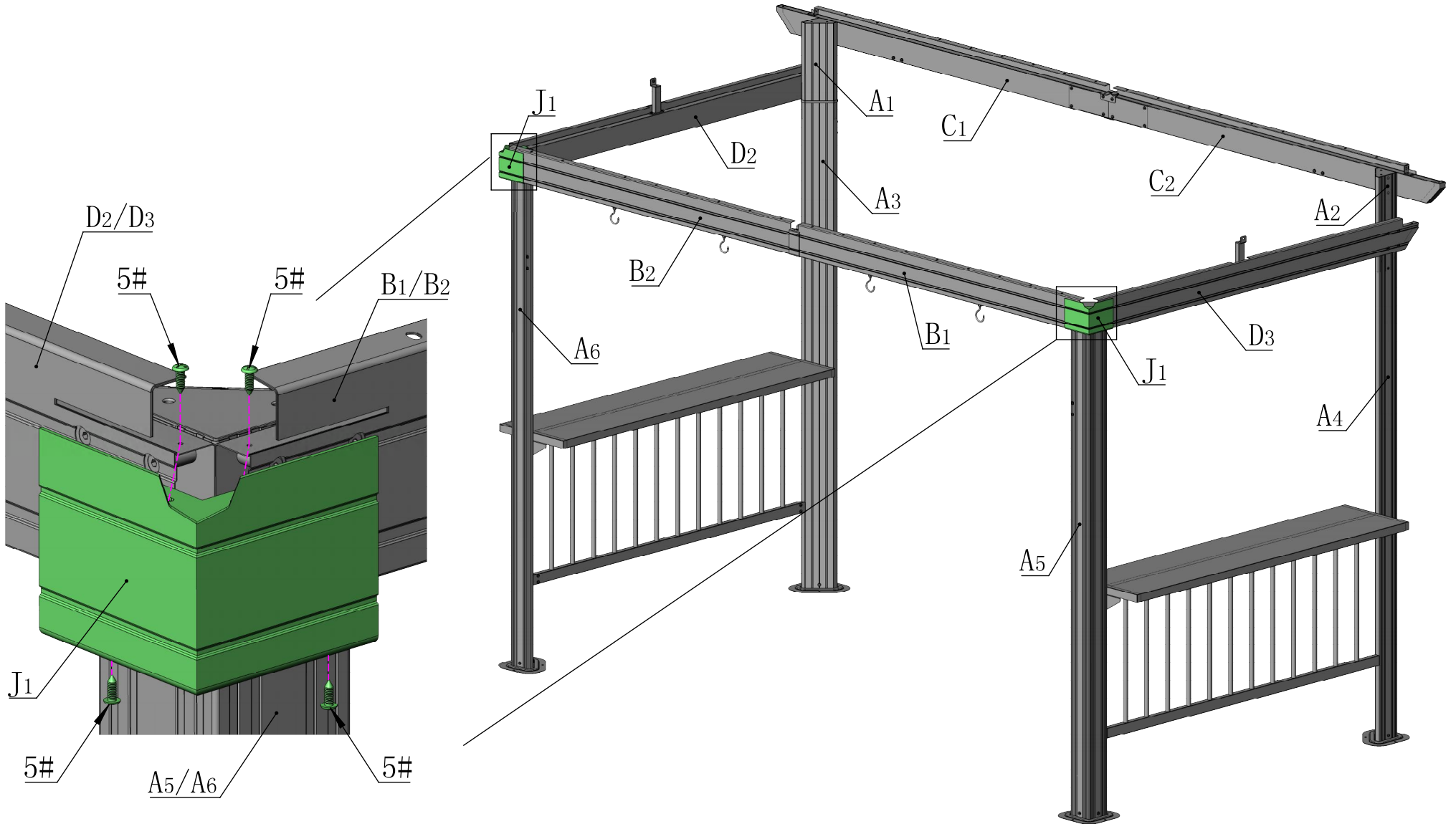


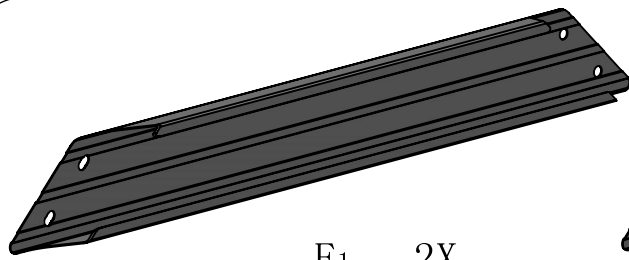
J1 2X



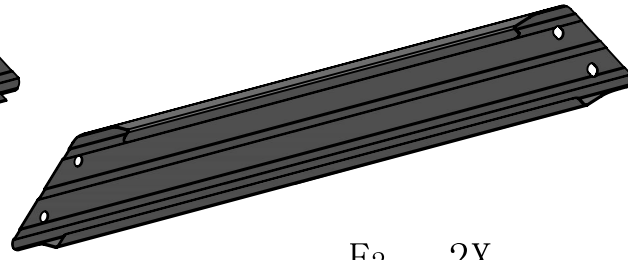
St5.0*16

5# 8X

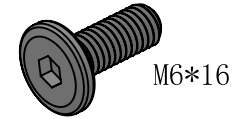




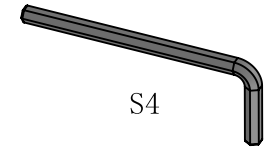
E1 2X



E2 2X

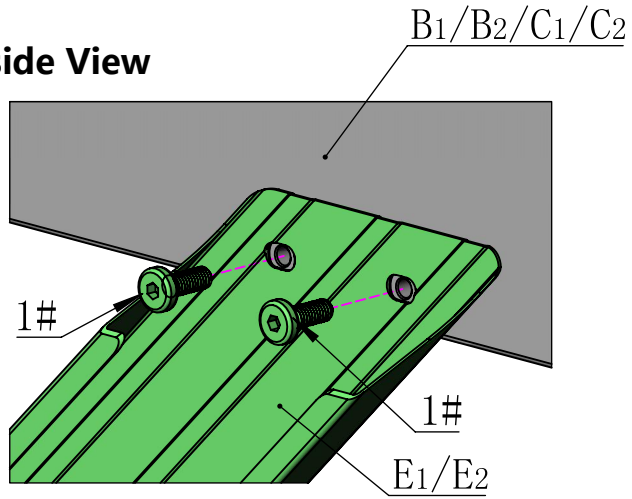


1# 16X

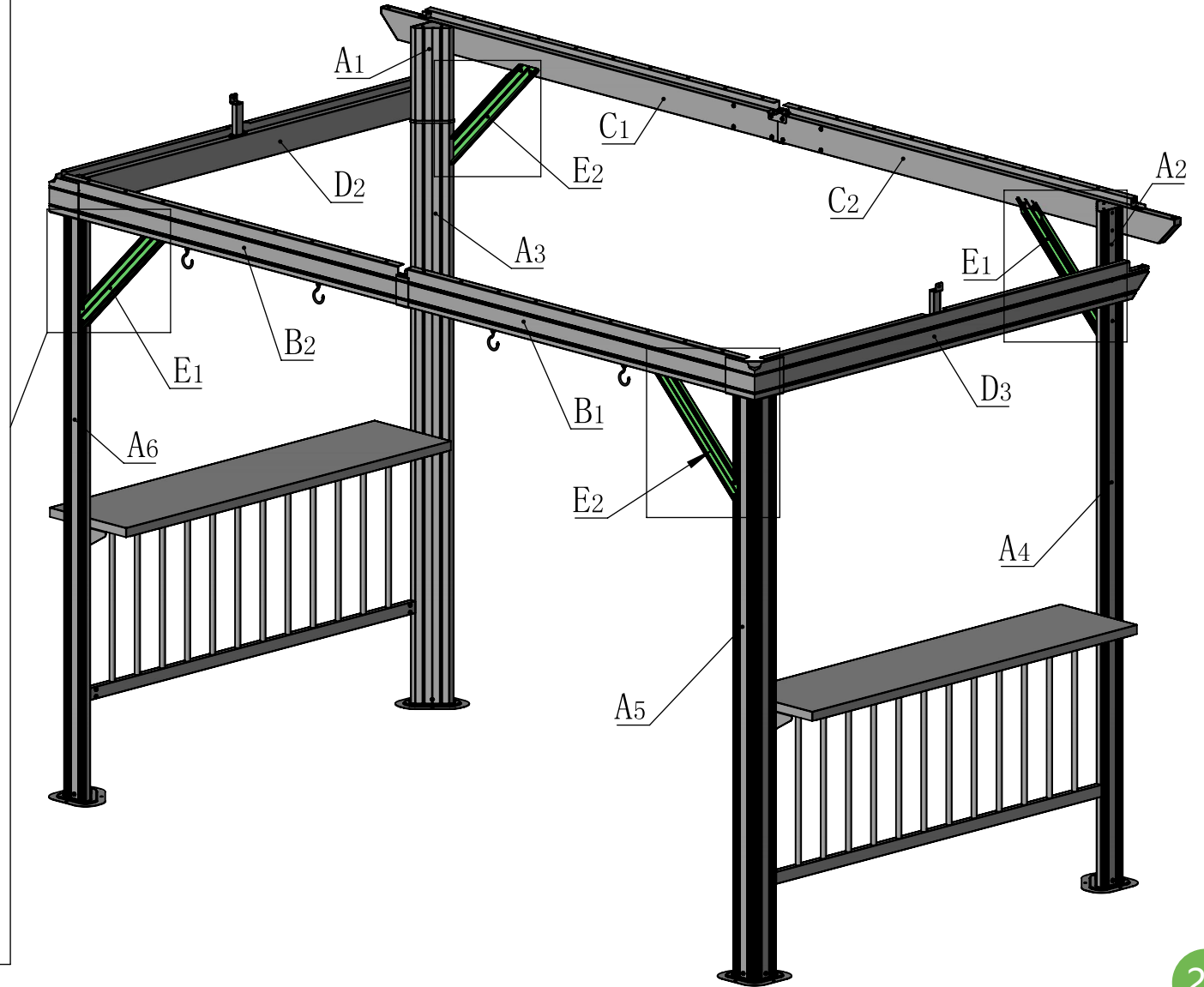
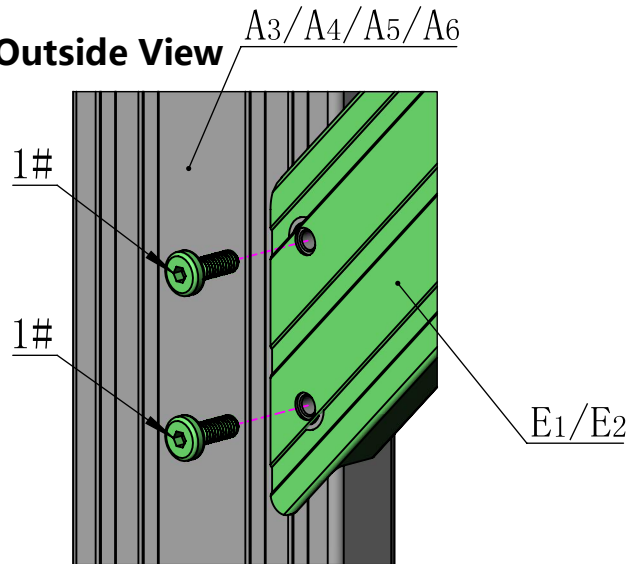


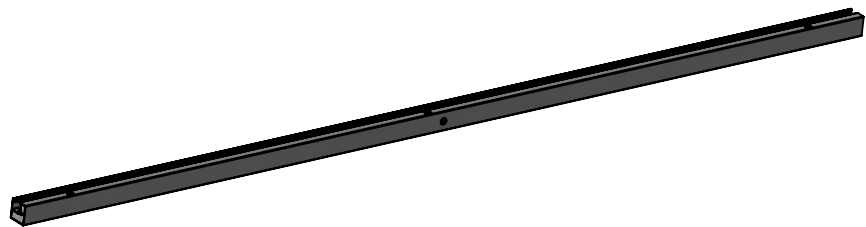
8# 1X

Inside View

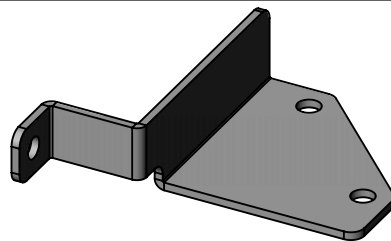


Outside View





F1 1X

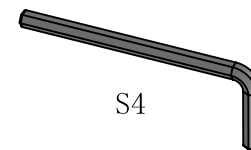


F2 1X



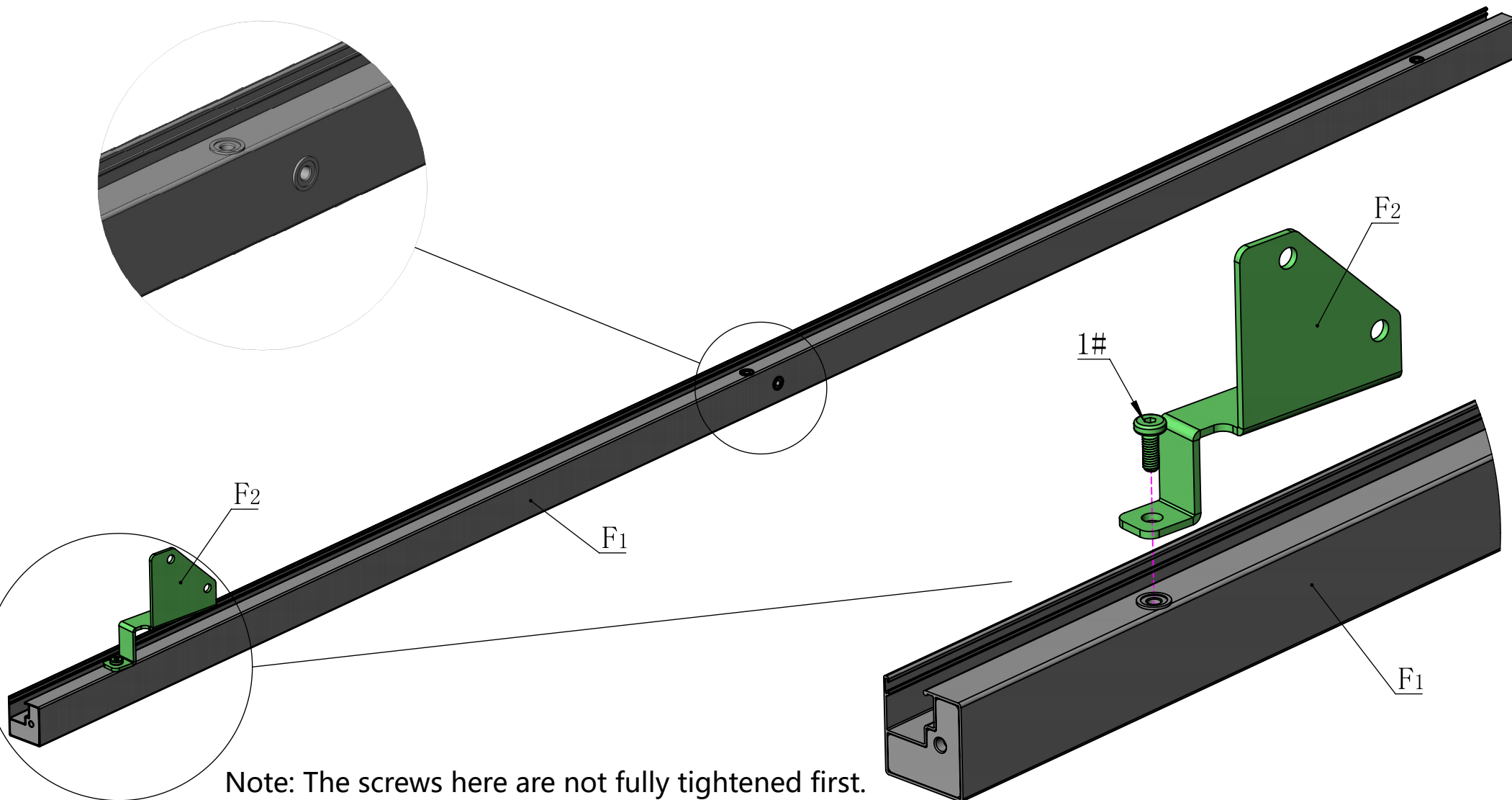
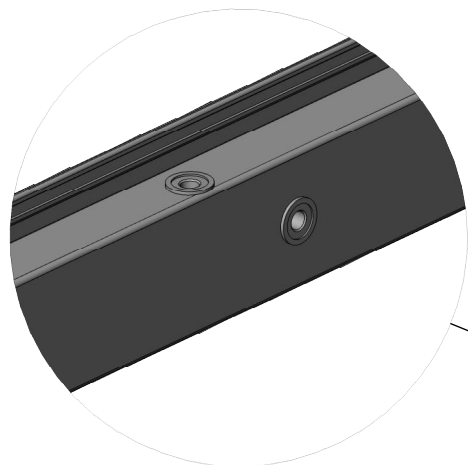
M6*16

1# 1X

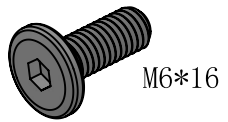


S4

8# 1X

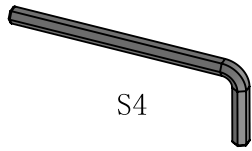


Note: The screws here are not fully tightened first.
The angle needs to be adjusted for subsequent fixing.



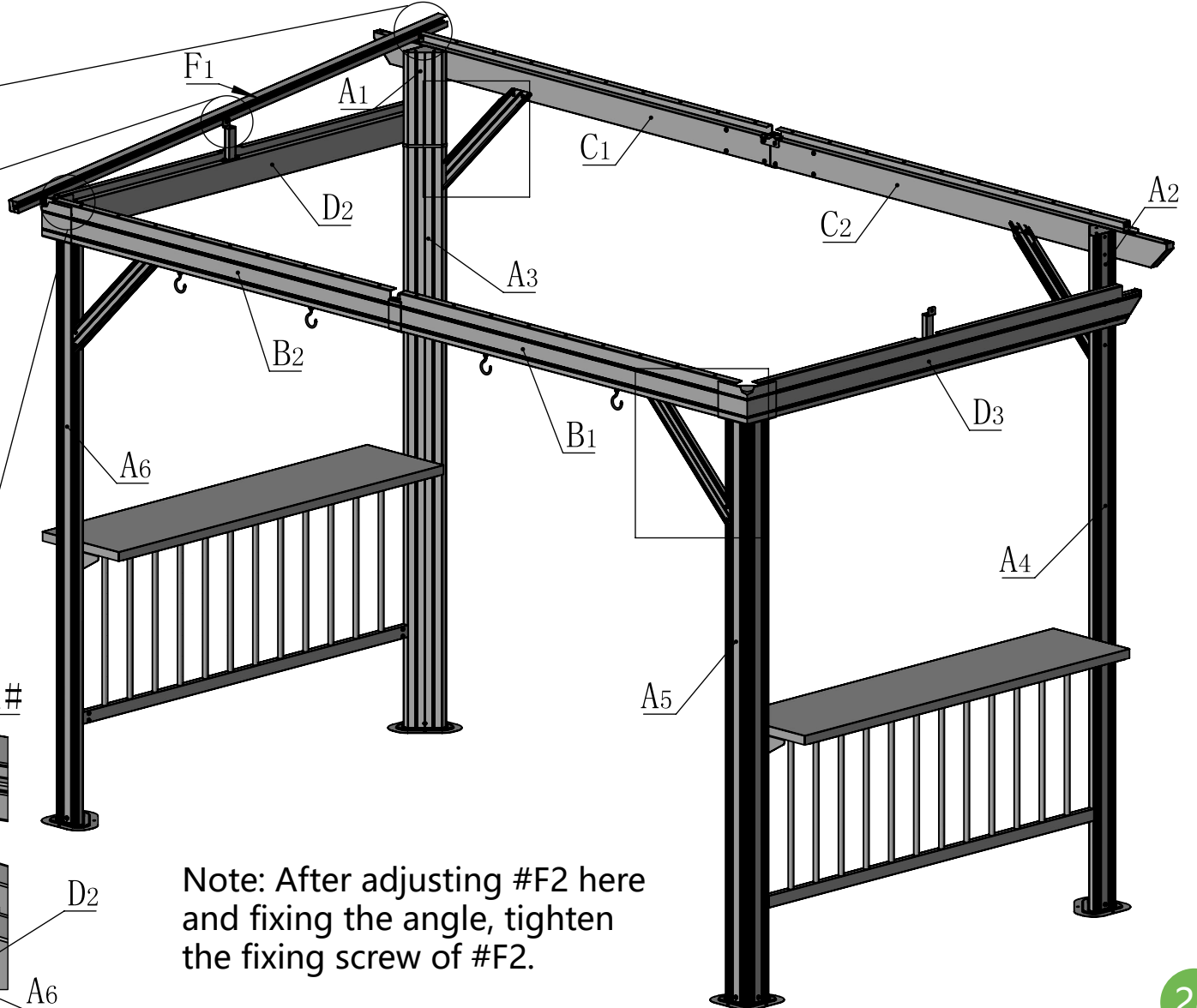
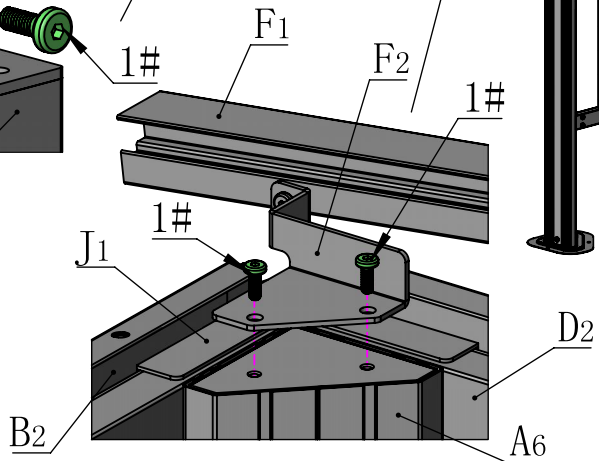
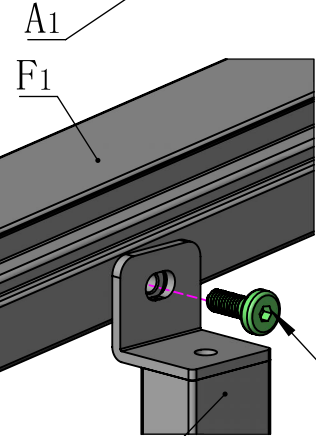
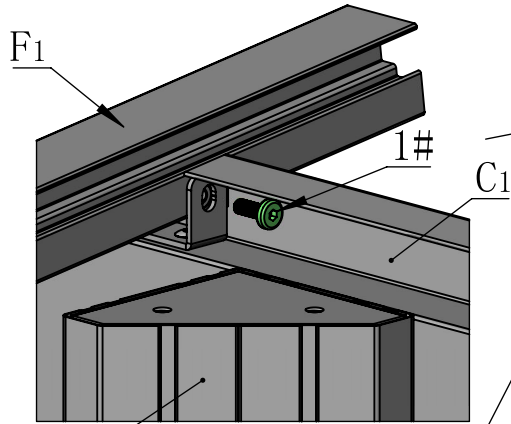
M6*16

1# 4X

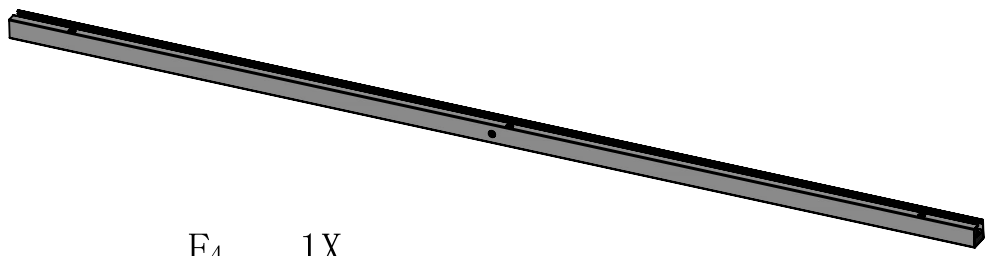


S4

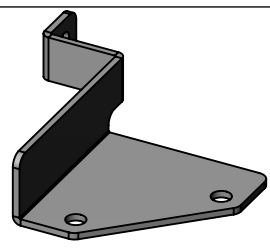
8# 1X



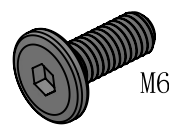
Note: After adjusting #F2 here and fixing the angle, tighten the fixing screw of #F2.



F4 1X

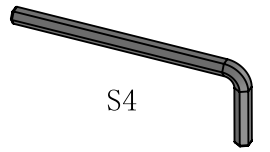


F3 1X



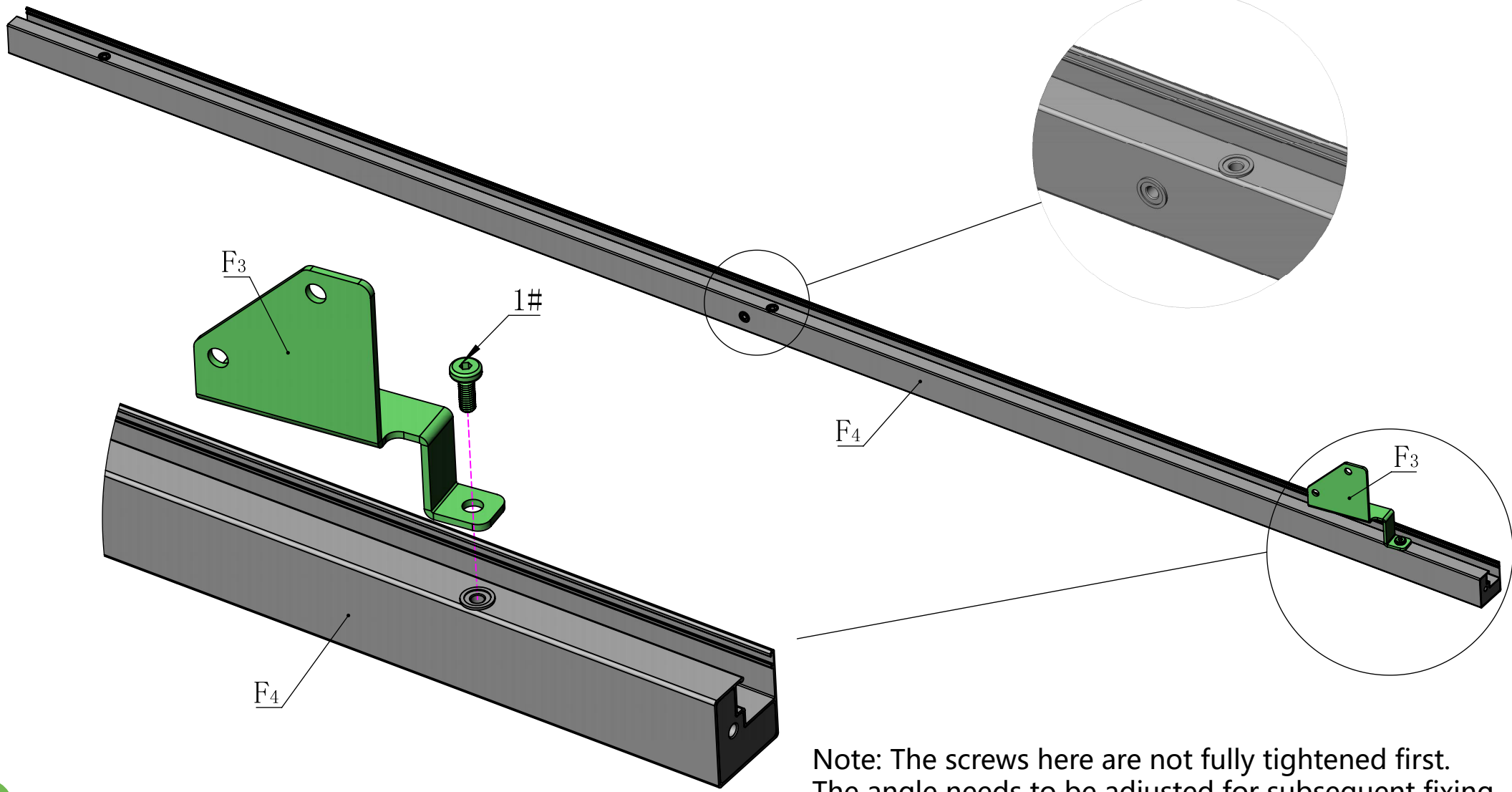
1# 1X

M6*16

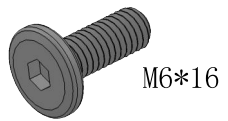


8# 1X

S4

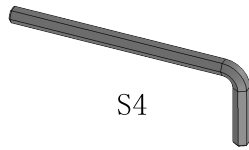


Note: The screws here are not fully tightened first. The angle needs to be adjusted for subsequent fixing.



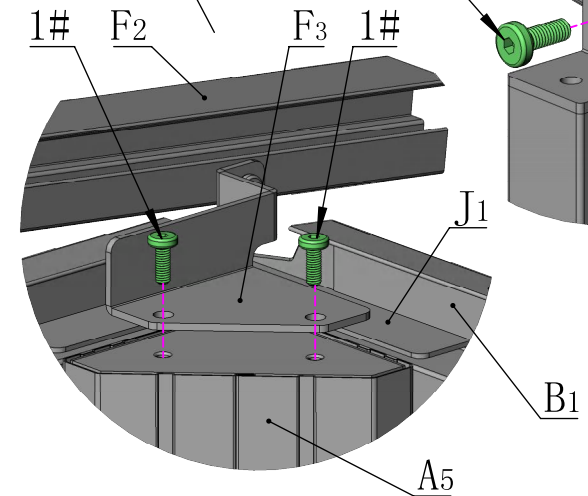
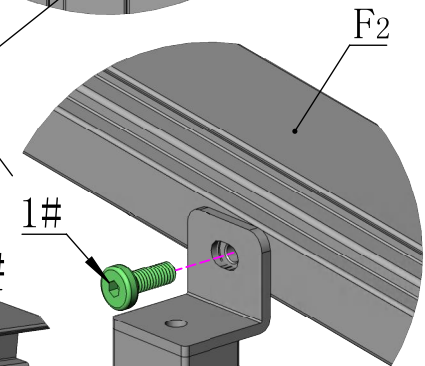
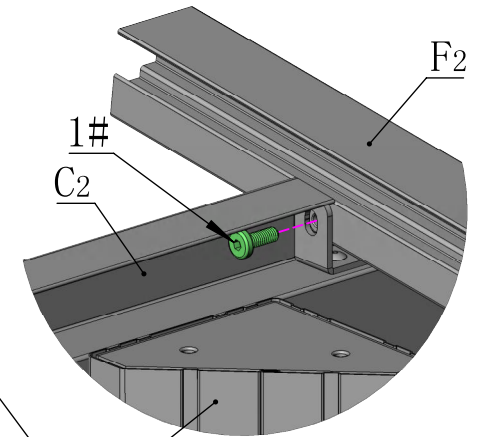
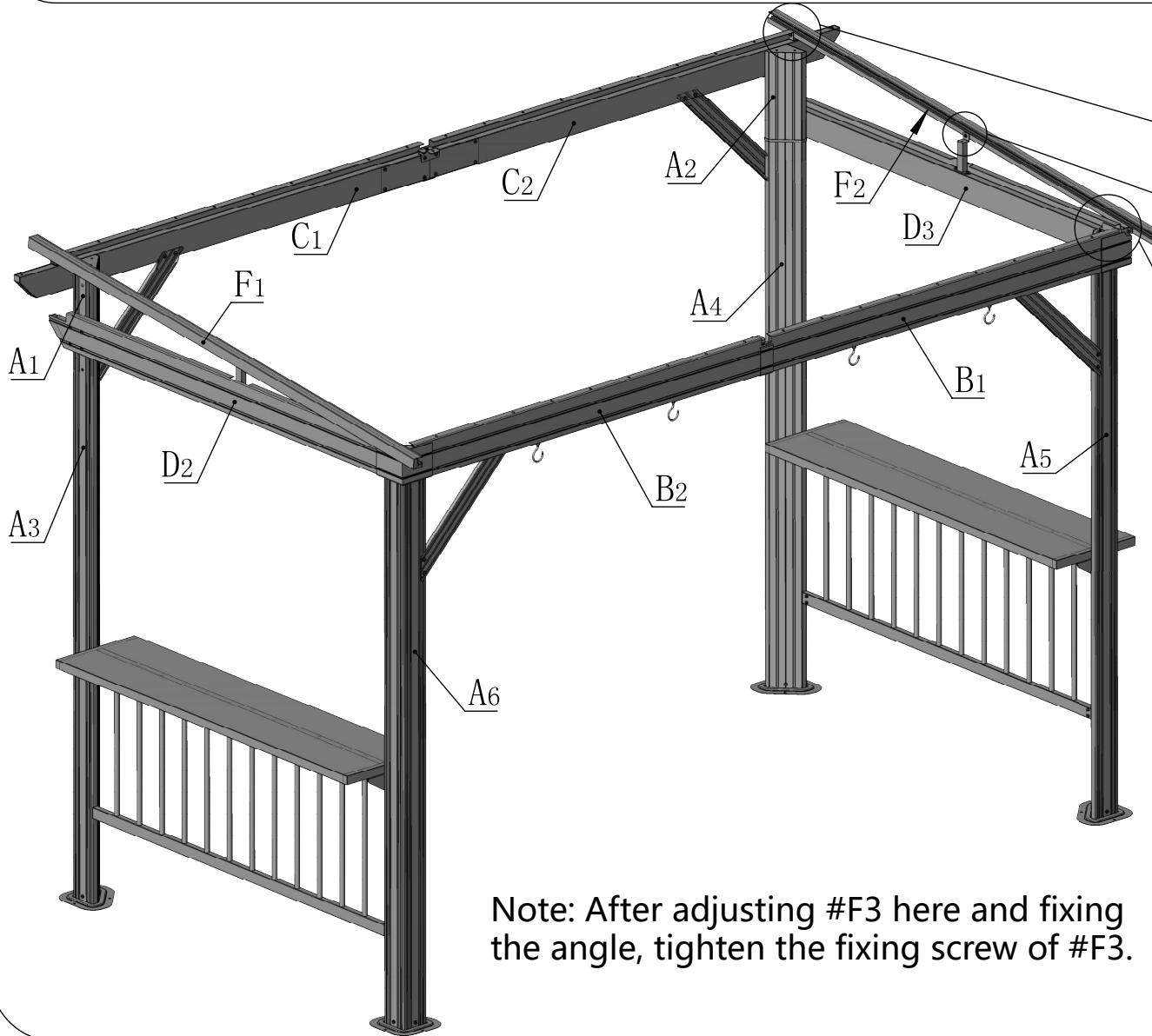
M6*16

1# 4X

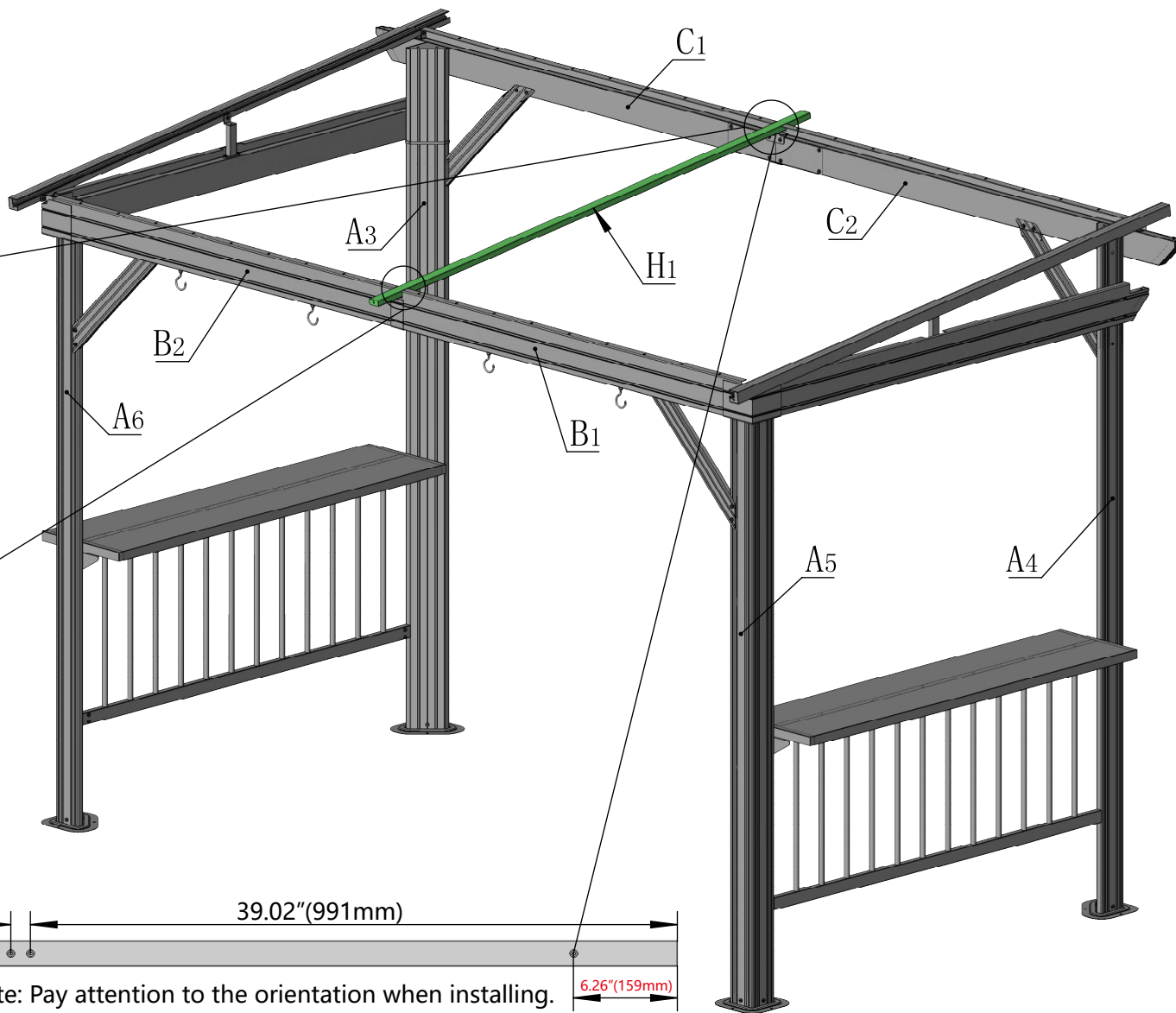
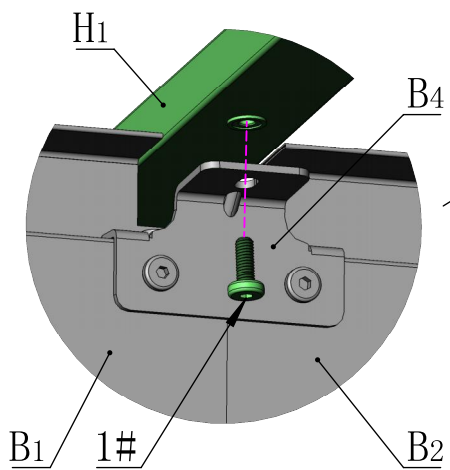
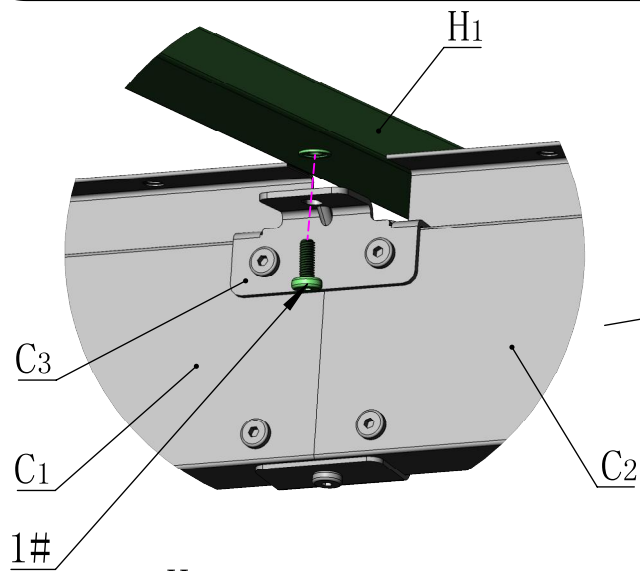
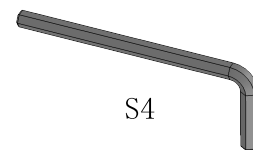
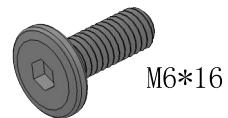
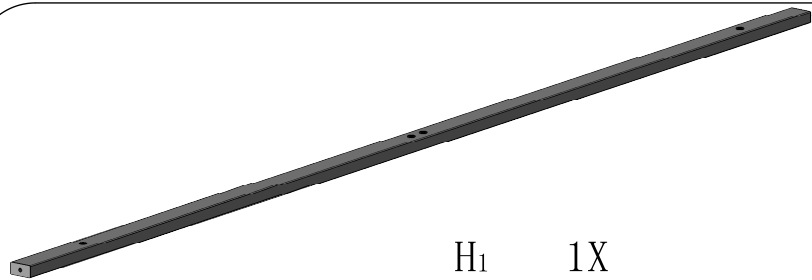


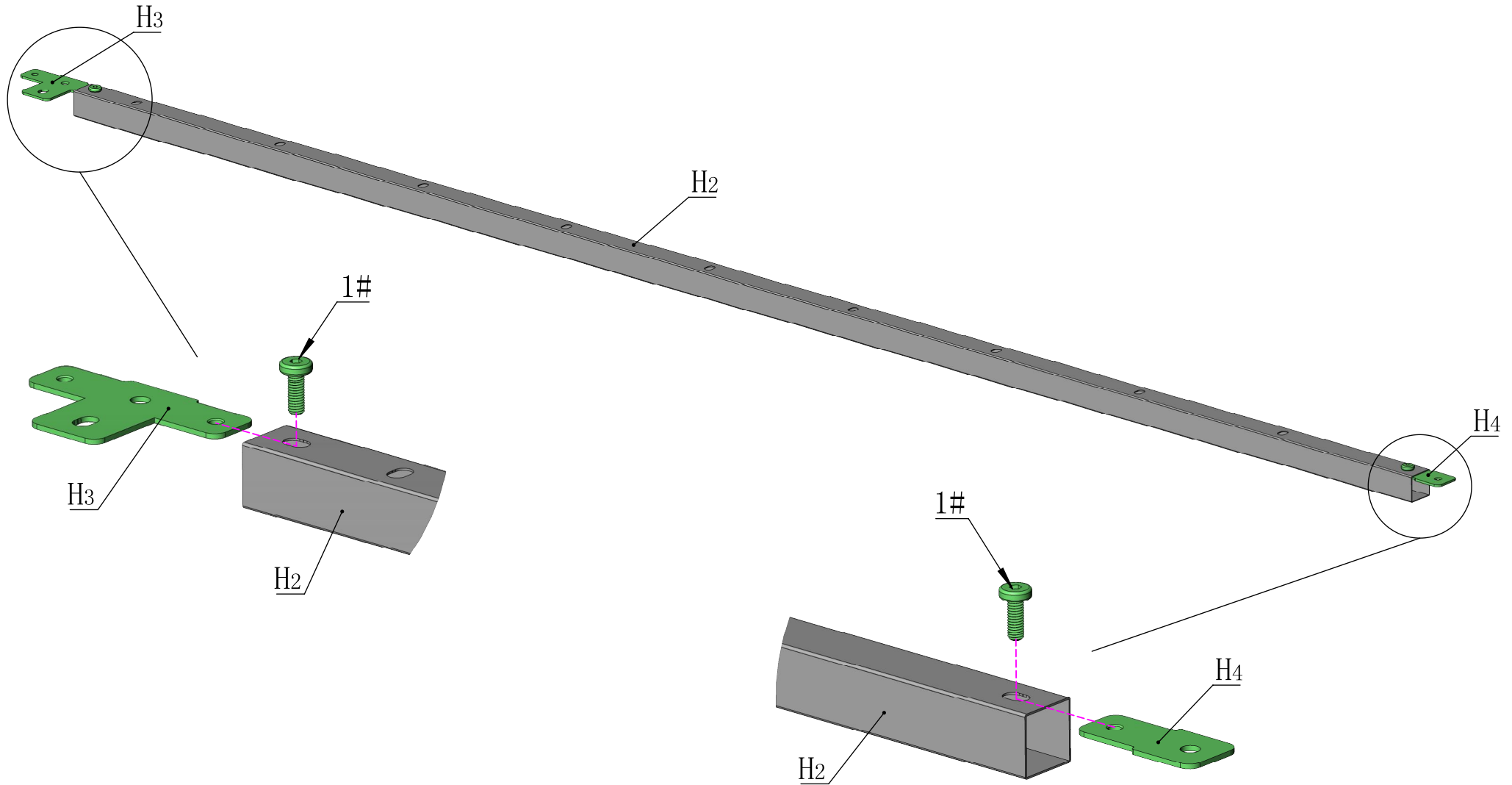
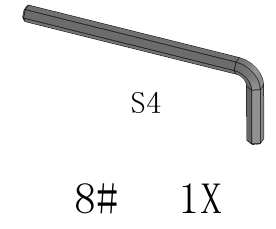
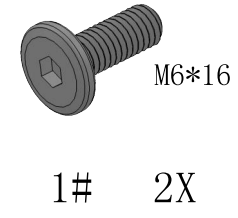
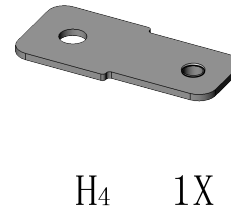
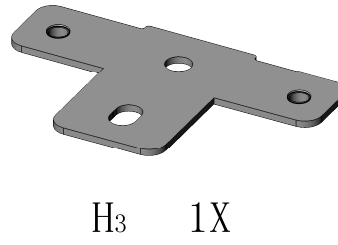
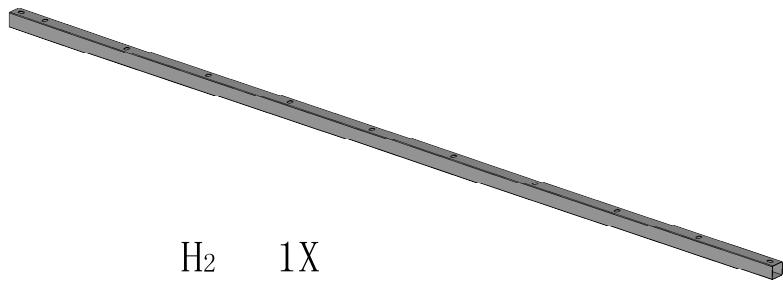
S4

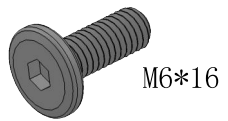
8# 1X



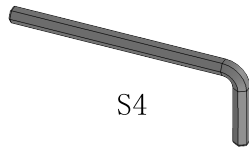
Note: After adjusting #F3 here and fixing the angle, tighten the fixing screw of #F3.







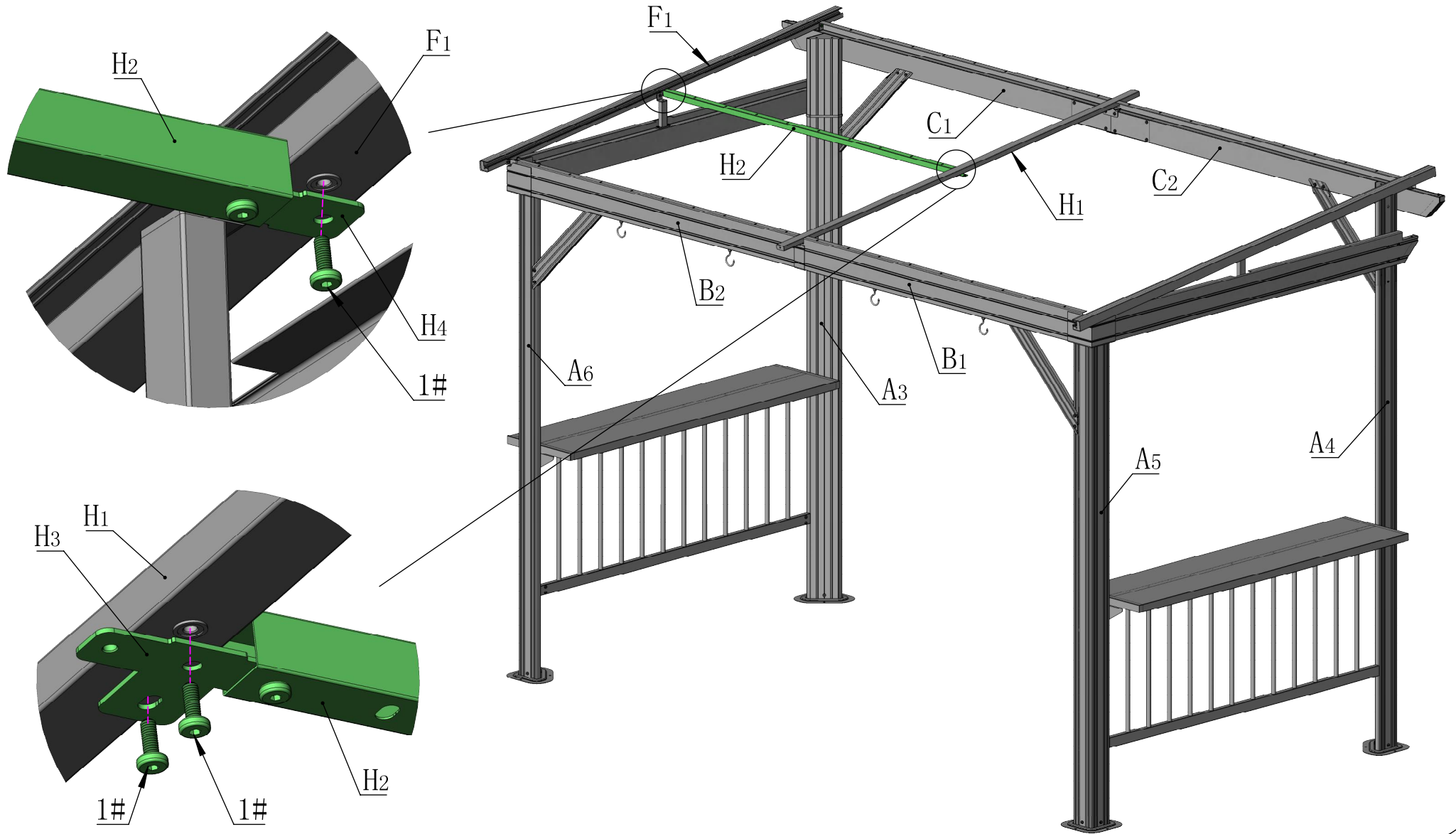
M6*16

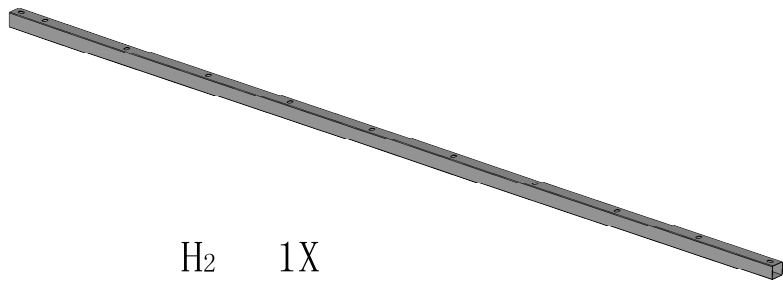


S4

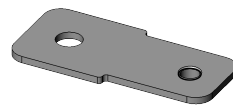
1# 3X

8# 1X

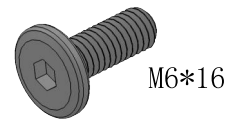




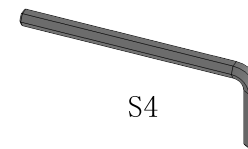
H2 1X



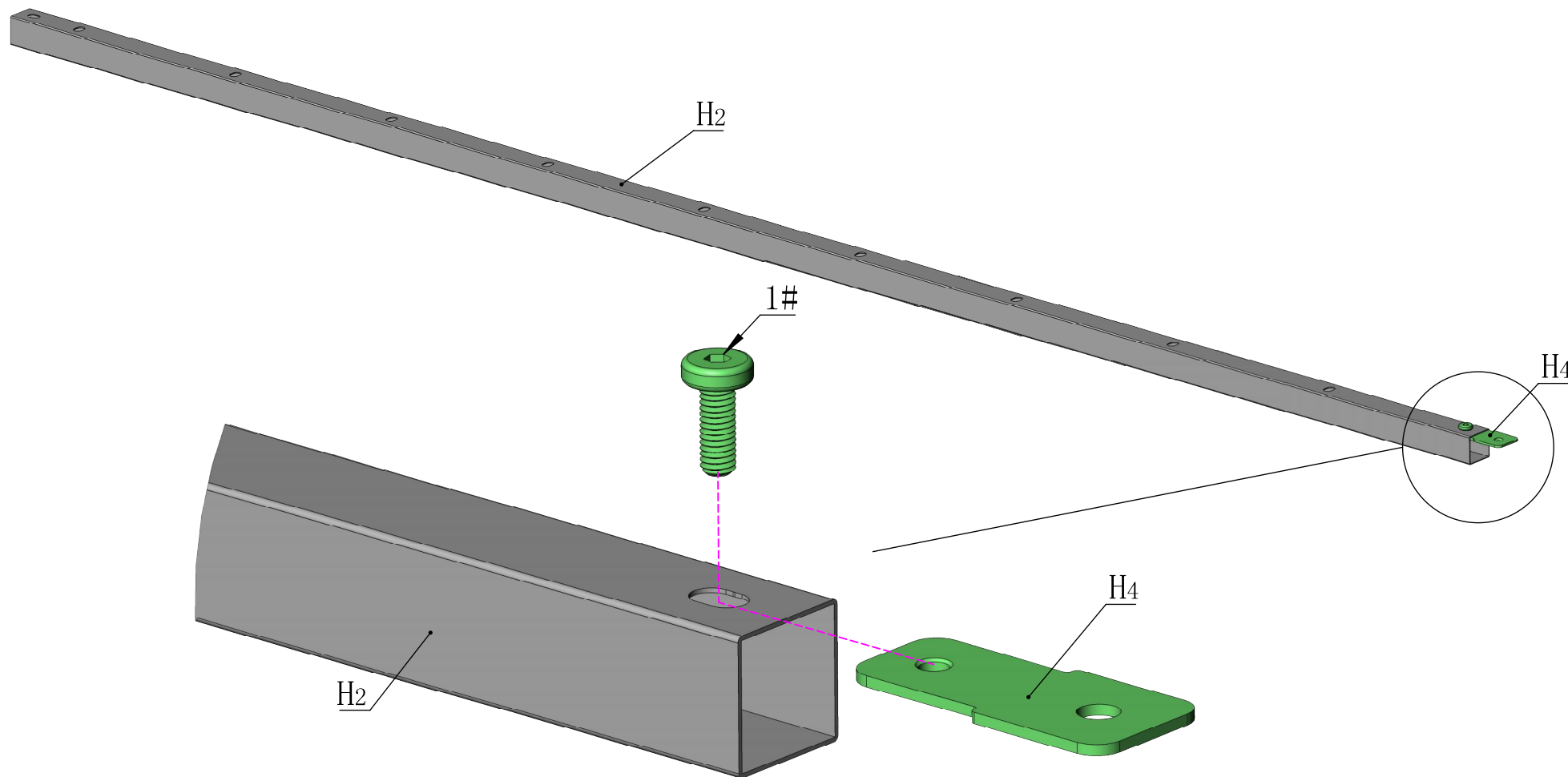
H4 1X

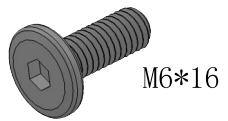


1# 1X

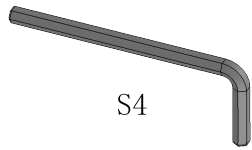


8# 1X





M6*16



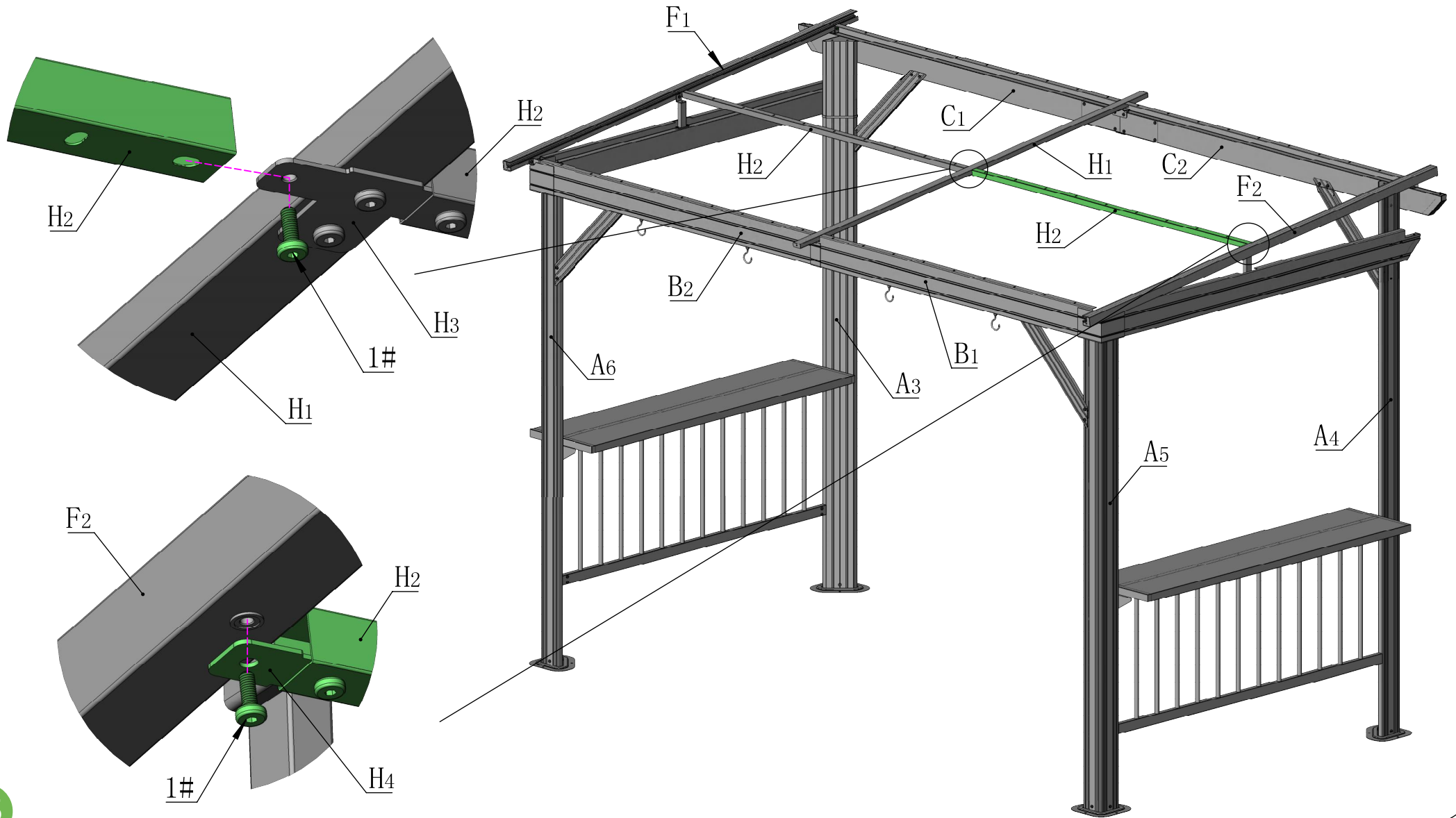
S4

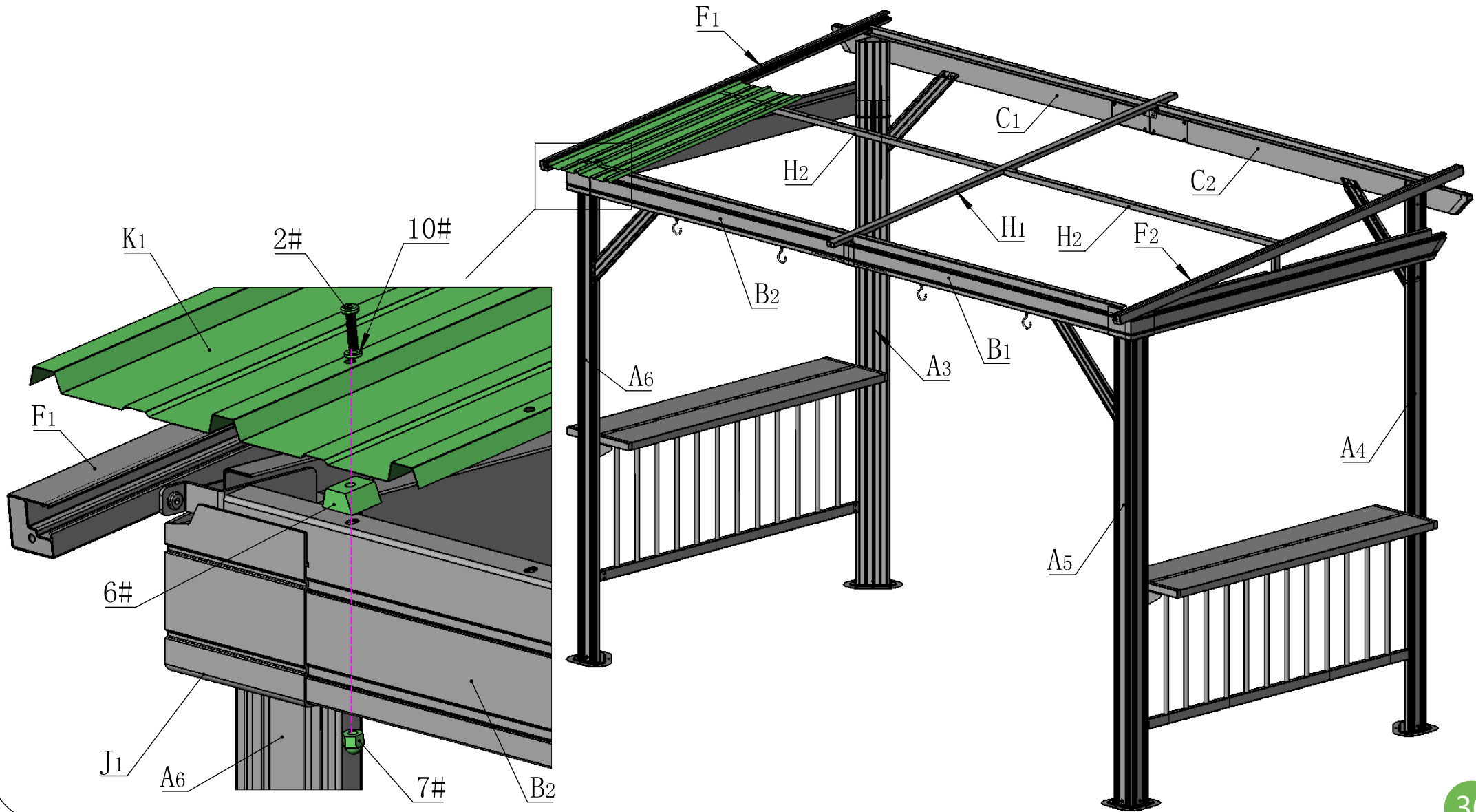
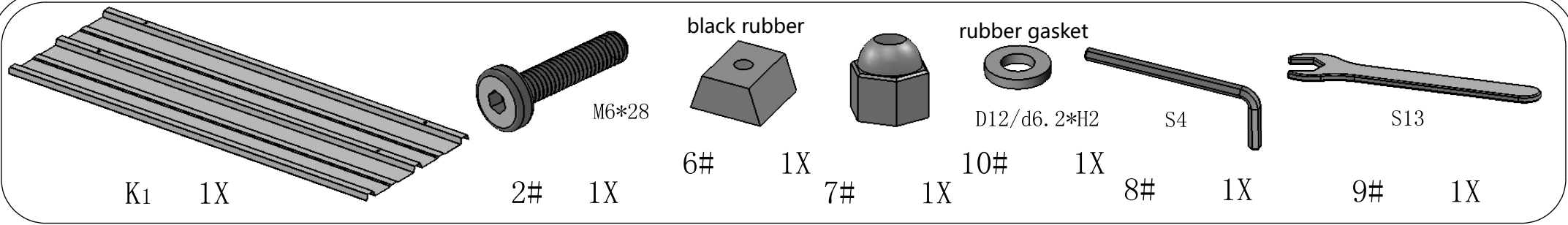
1#

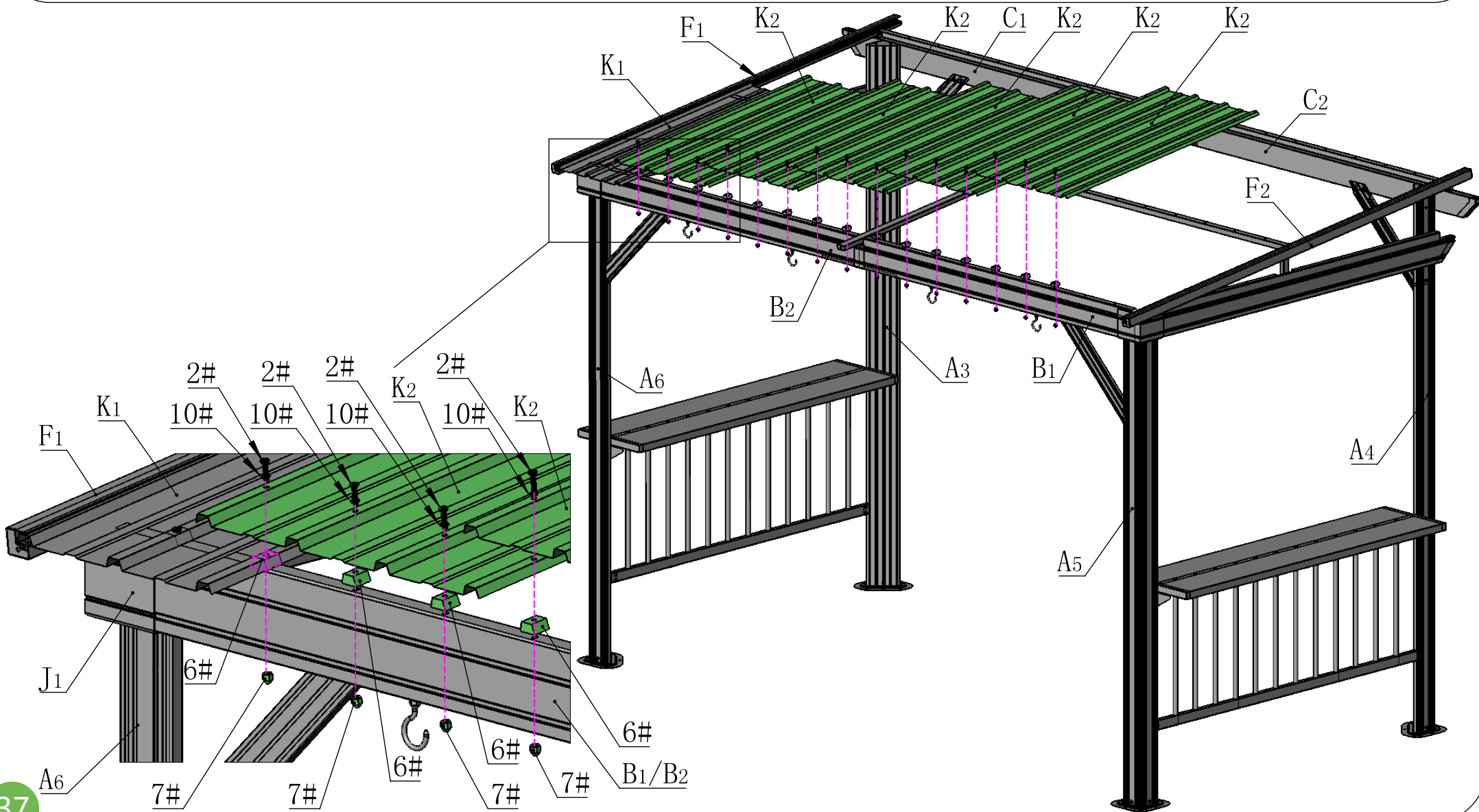
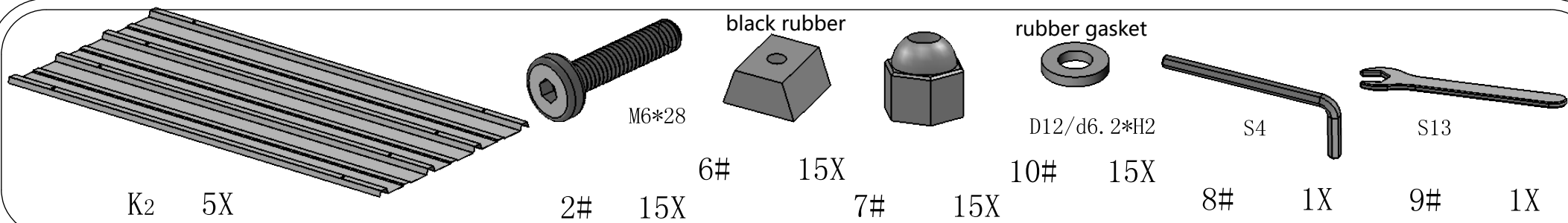
2X

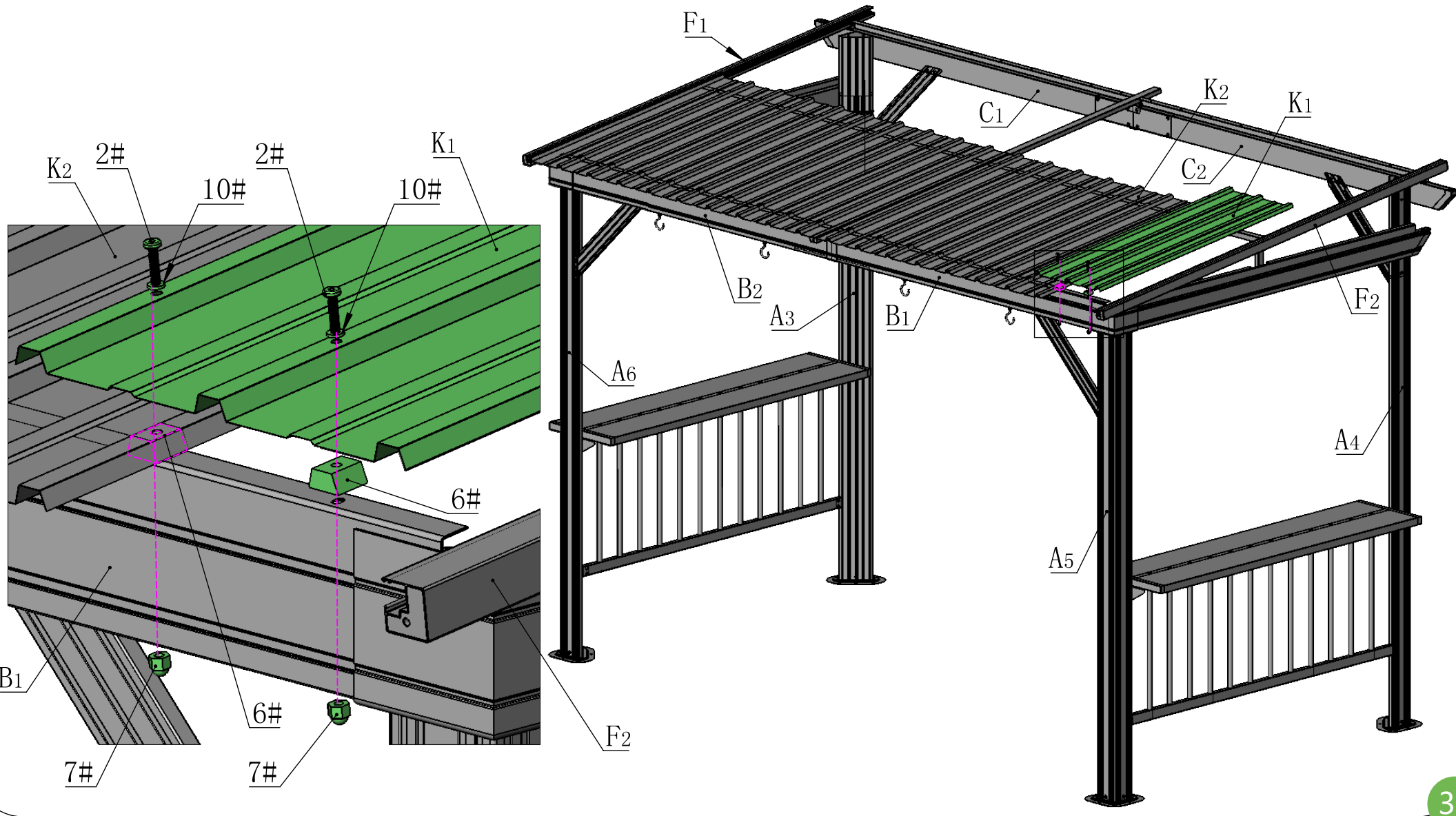
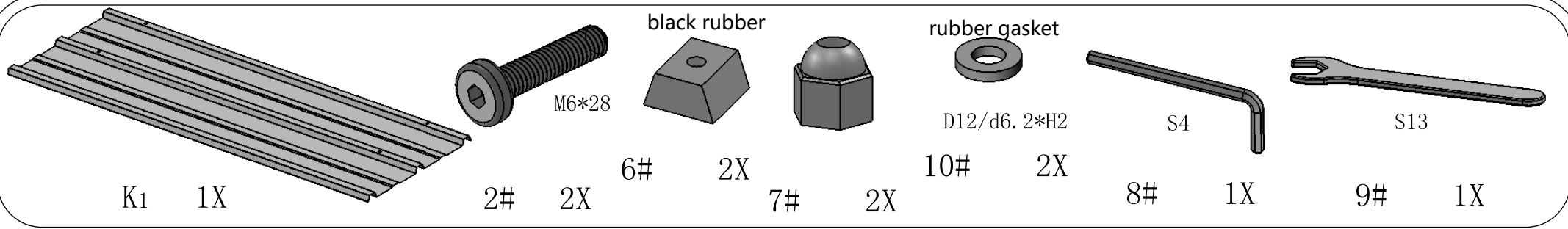
8#

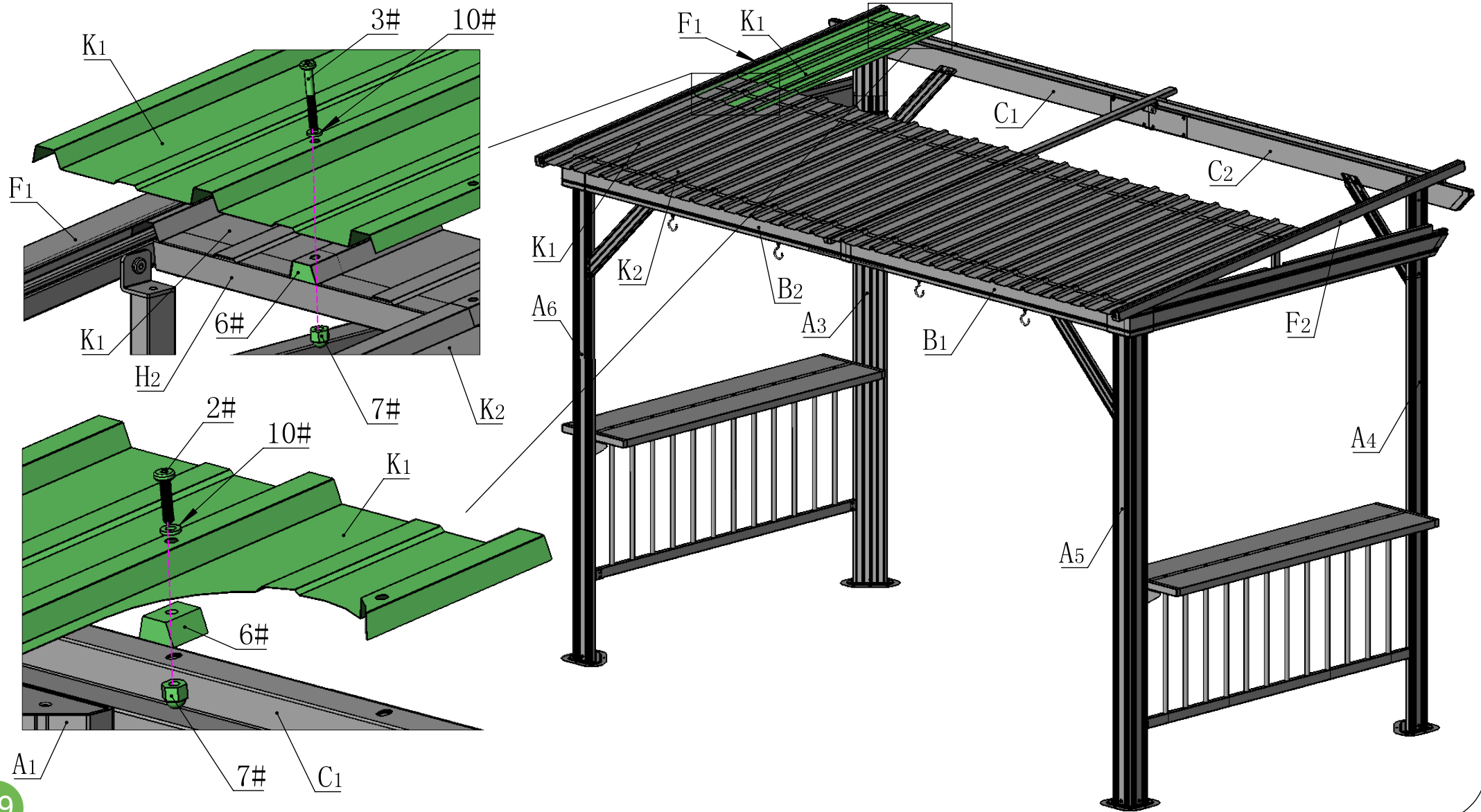
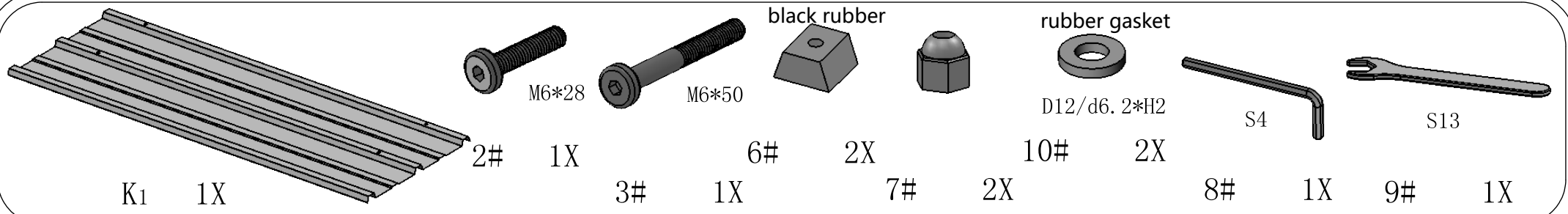
1X

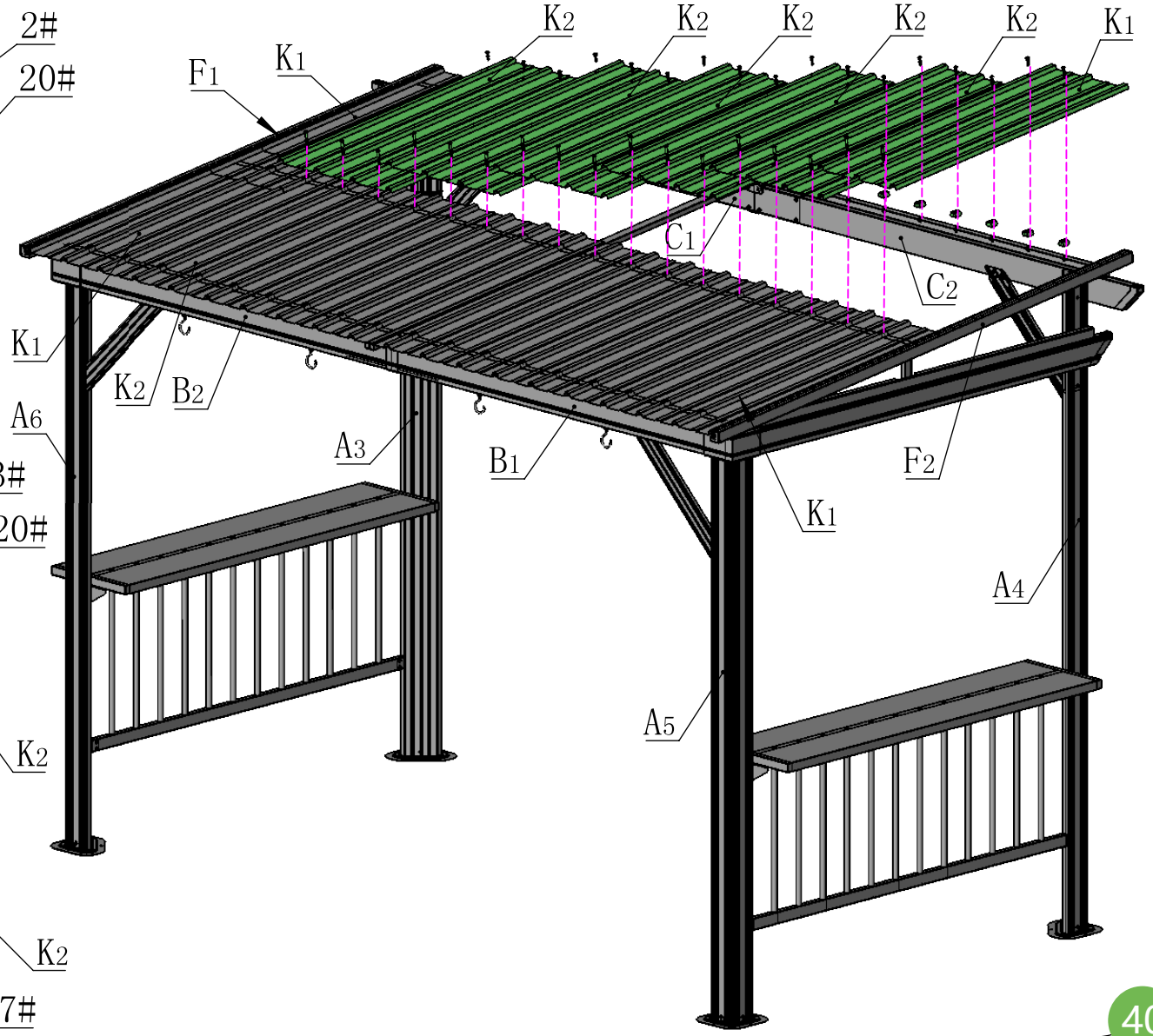
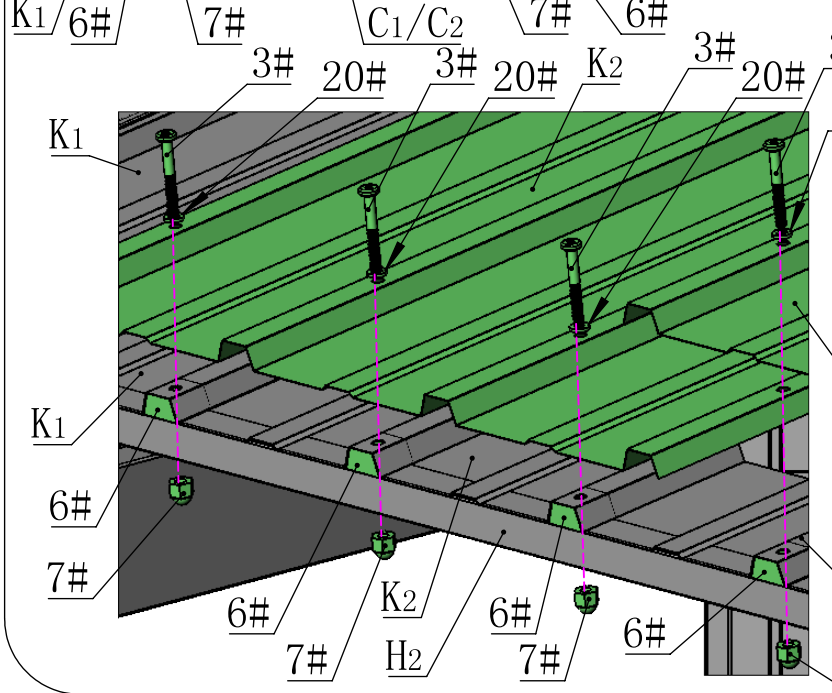
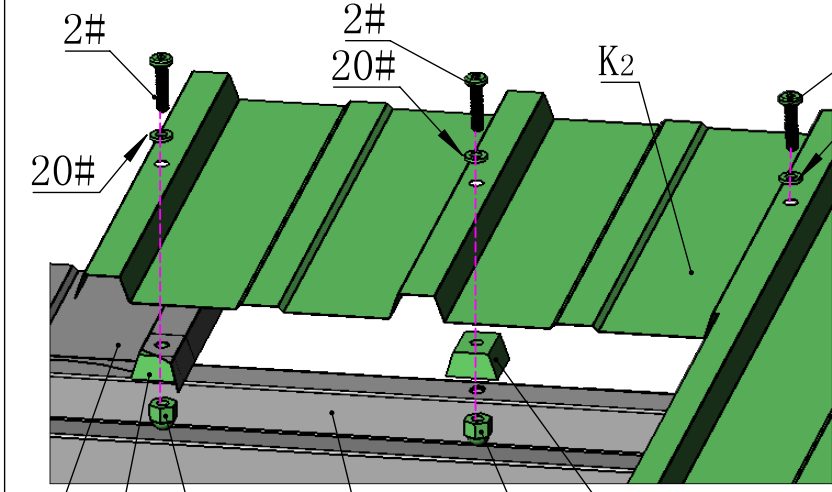
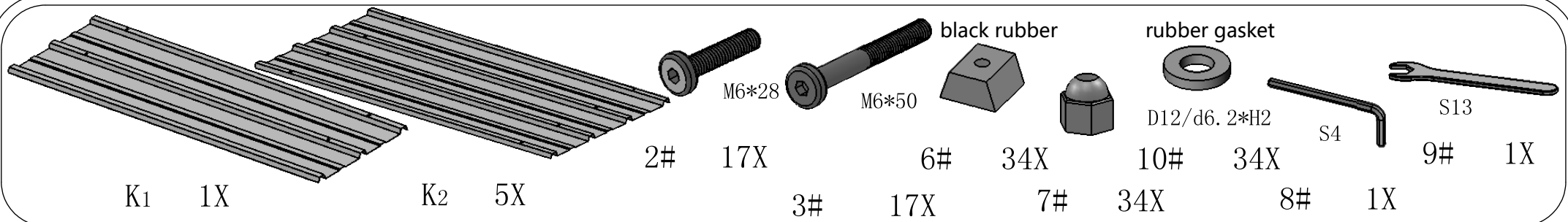


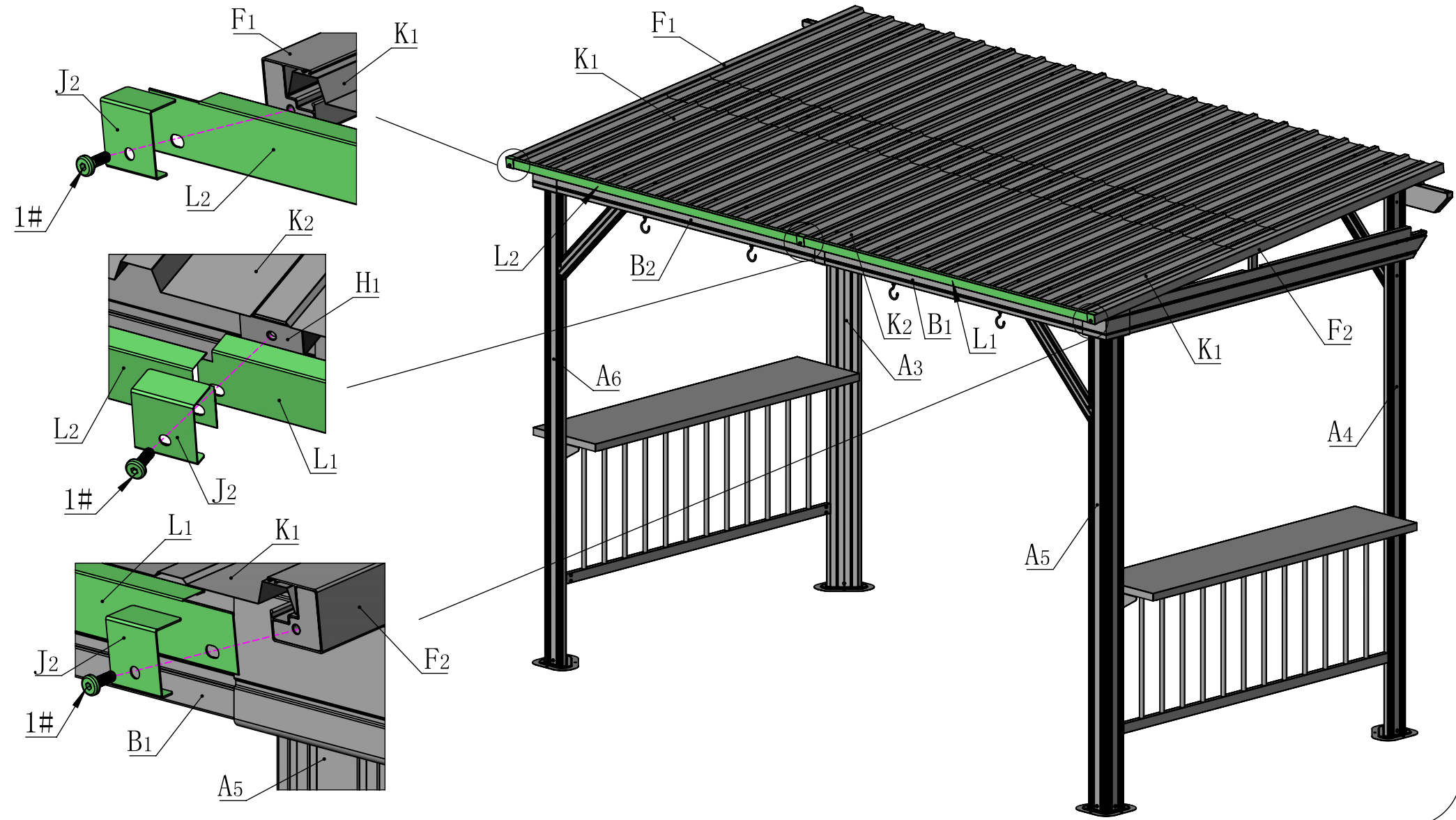
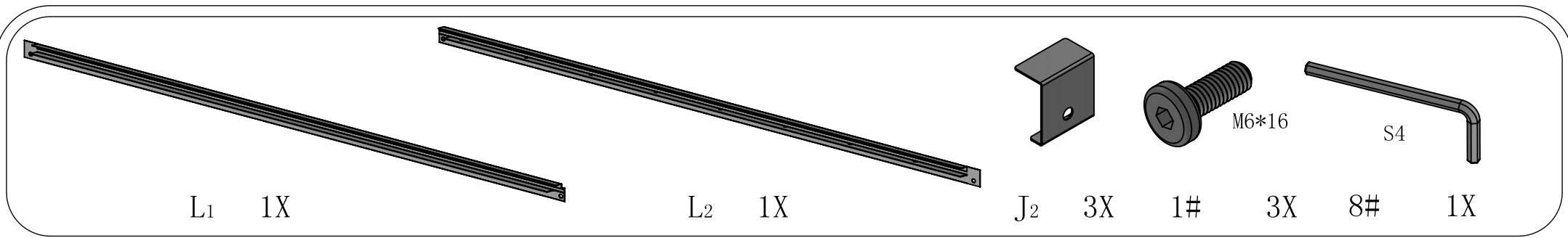


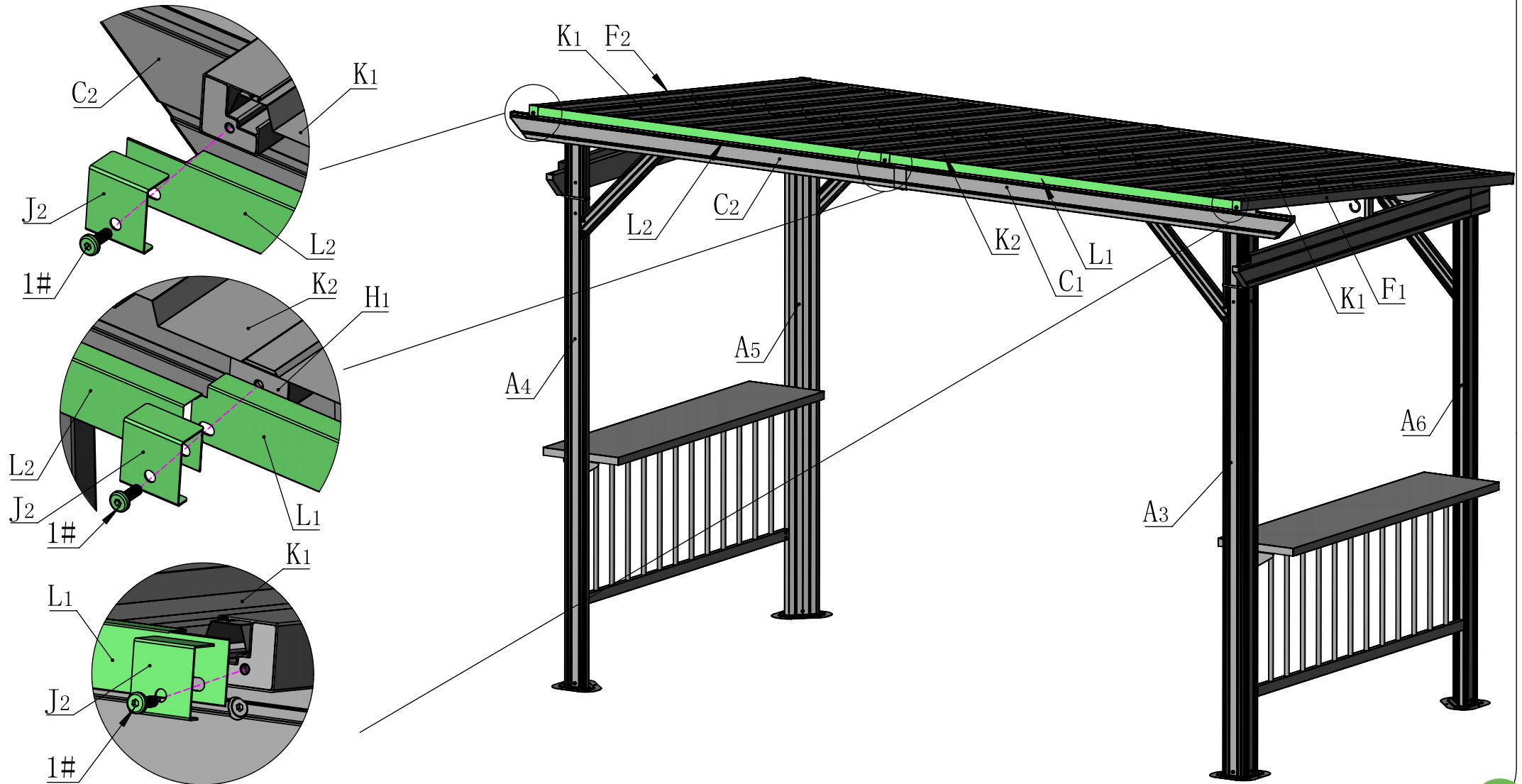
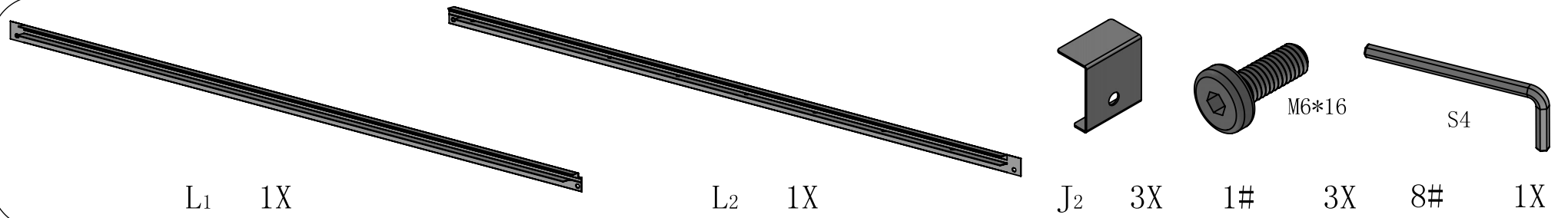












Care and Cleaning

Wash frame parts and fabric with mild soap and water, rinse thoroughly.

Dry frame completely and allow the fabric to drip dry.

Do not use bleach, acid, or other solvents on the fabric or frame parts.

Please inspect and tighten all bolts or fasteners on a regular basis to ensure proper performance and safety of your gazebo.

Warranty

Frames

Frames constructions are warranted to be free from defects in material and workmanship for 1 year from item purchased. Damage to frame from negligence won't be covered by this warranty.

Netting

Netting are warranted to be free from defects in material and workmanship for 1 year from item purchased. Damage from exposure to chemicals (including but not only oils ,spills, fluids) won't be covered by this warranty.

Bolts & nuts

Bolts and nuts are warranted to be free from defects in material and workmanship for 1 year from item purchased. Damage from exposure to chemicals (including not only oils ,spills, fluids) won't be covered by this warranty.

Warranty Limitation

This warranty is for the original purchase order only. (Order number required). This warranty is non-transferable. Domi outdoor living is responsible for the free replacement part including shipping charges for the 1 year warranty.

Warranty Exclusion

This warranty does not cover products subject to negligence, abuse usage, inappropriate installation. Domi outdoor living reserves the right to explain warranty exclusions. When the replacement item is applied, the 1 year warranty automatically expires. Please feel free to contact us for applying warranty.



RESORT COMFORT IN YONR
OWN BACKYARD

Support:



Business cooperation contact email:

marketing@domioutdoorliving.com

After-sales contact email:

service@domioutdoorliving.com

Please tell us your order ID when contact.

Attach photos of damaged part for instant reply.