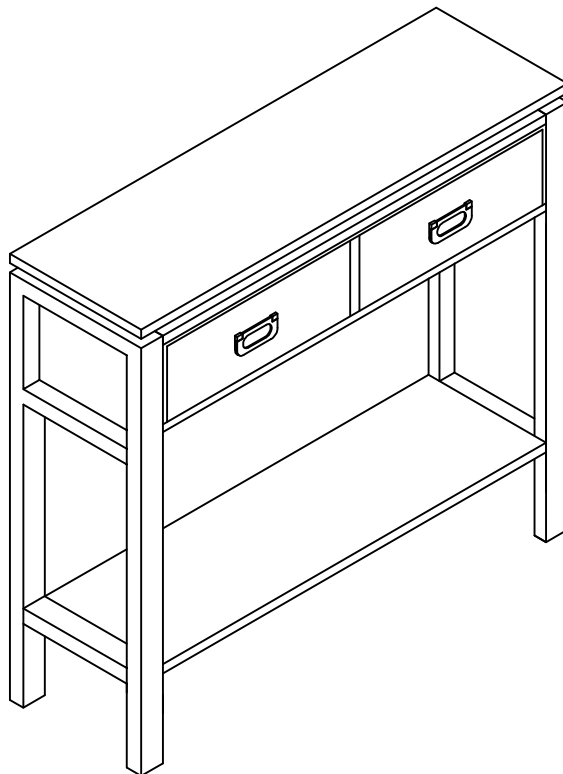


# ASSEMBLY INSTRUCTIONS

## Console Table



### NOTE TO CUSTOMERS:

- For ease and speed of assembly we recommend that before you commence each step of the assembly that you identify all the parts required to complete that step.
- We recommend that where possible you allow sufficient space to assemble the item as close as possible to the place where it will be once assembled.
- For the protection of your furniture we recommend that the product is placed on protected surfaces during assembly to prevent any damage.
- During assembly do not over tighten, as this may damage the product.
- Please ensure you retain all the product packaging until the item completely assembled.
- Please periodically check all fittings and re-tighten as necessary.
- Please never allow any liquids to remain on your furniture as absorption can cause the wood to warp or finish to de-laminate.
- It is recommended that this item should be assembled by two adults.

## To insert a cam lock: (Please read below instructions before assembling)

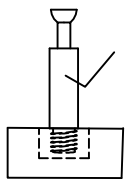
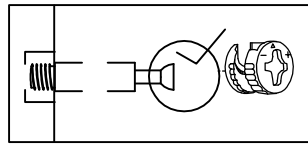


Diagram A



1. Insert cam screw into hole as shown in diagram A .

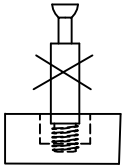
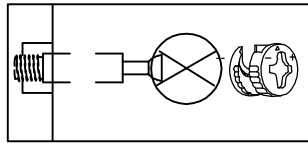


Diagram B



Make sure not to insert the cam screw:  
Too deep as shown in figure B as this will cause the  
cam screw to be misaligned and unable to  
interlock properly.

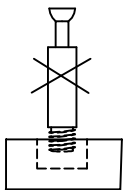
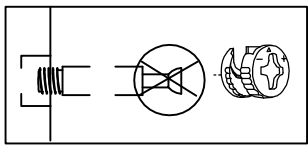
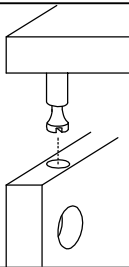


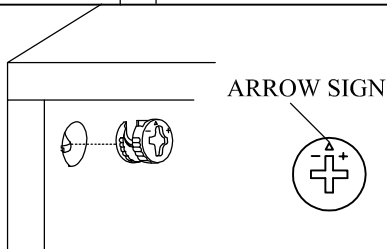
Diagram C



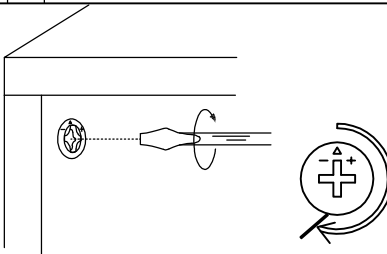
Also avoid inserting the cam screw too close to the  
surface of the hole as shown in figure C, as this will  
cause the cam lock to be too loose, and not interlock  
properly.



2. Connect the panels together.



3. When inserting the cam lock make sure the arrow  
of the cam lock faces the cam screw.



4. To tighten the cam lock turn the cam lock clockwise  
90-180 degree or until the arrow is facing opposite  
the place cam lock was inserted.

**NOTE: DO NOT USE AN AUTOMATIC  
SCREWDRIVER TO TIGHTEN CAM LOCKS.**

### Note:

- Read these instructions carefully before assembling.
- Tools required : Phillips screwdriver, flat screwdriver.
- Find a clean, smooth area on which to work , such as a carpet, in order to avoid scratching the wood surfaces.
- Wait to dispose of the packing material until assembly is complete and all parts and hardware are accounted for.
- Two or more people might be required for assembly.

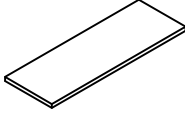
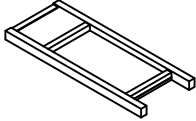
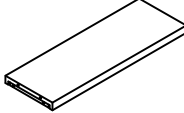
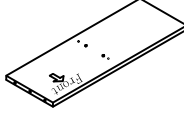
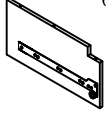
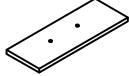
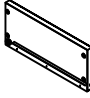
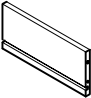
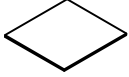
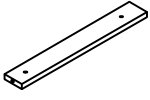
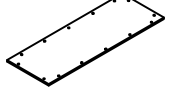


# WARNING:

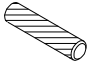
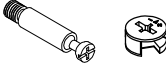






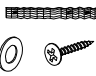
**Serious or fatal crushing injuries can occur from furniture tip-over.  
To help prevent tip-over:**

- Place heaviest item in the lowest drawers.
  - Unless specifically designed to accommodate, do not set TVs or other heavy objects on top of this product.
  - Never allow children to climb or hang on drawers, doors or shelves.
  - Never open more than one drawer at a time.(OR)
  - Do not defeat or remove the drawer interlock system.
- Use of tip-over restraints may only reduce, but not eliminate the risk of tip-over.

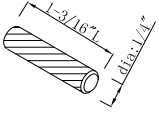
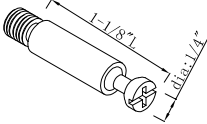
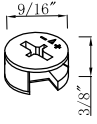
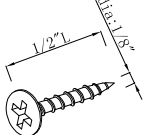
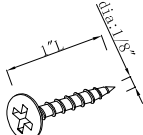
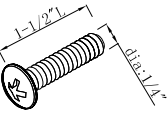
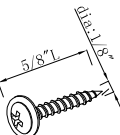
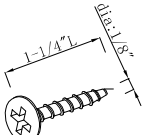
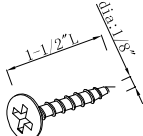
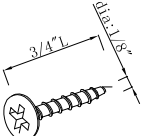
## Part List

|                                                                                                                  |               |                                                                                                                 |               |                                                                                                                      |               |                                                                                                                  |               |
|------------------------------------------------------------------------------------------------------------------|---------------|-----------------------------------------------------------------------------------------------------------------|---------------|----------------------------------------------------------------------------------------------------------------------|---------------|------------------------------------------------------------------------------------------------------------------|---------------|
| A1<br><br>Top Panel           | Quantity of 1 | A2<br><br>Side Panel (L&R)    | Quantity of 2 | A3<br><br>Bottom Panel           | Quantity of 1 | A4<br><br>Shelf Panel       | Quantity of 1 |
| A5<br><br>Divider             | Quantity of 1 | A6<br><br>Drawer Front Panel | Quantity of 2 | A7<br><br>Drawer Side Panel (L&R) | Quantity of 4 | A8<br><br>Drawer Back Panel | Quantity of 2 |
| A9<br><br>Drawer Bottom Panel | Quantity of 2 | A10<br><br>Cross Bar         | Quantity of 1 | A11<br><br>Back Panel            | Quantity of 1 |                                                                                                                  |               |

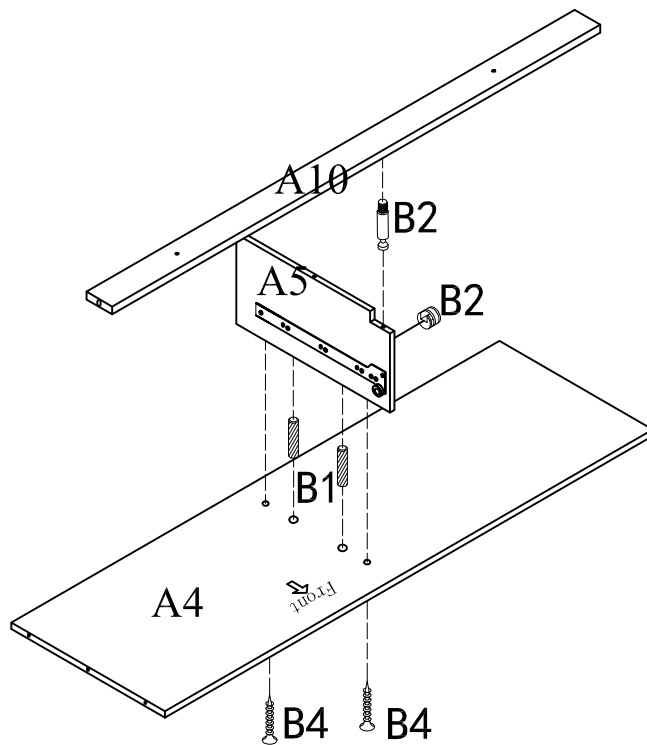
## Hardware List


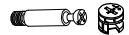

|                                                                                                         |                |                                                                                                       |                |                                                                                                                |               |                                                                                                            |                |                                                                                                                   |               |
|---------------------------------------------------------------------------------------------------------|----------------|-------------------------------------------------------------------------------------------------------|----------------|----------------------------------------------------------------------------------------------------------------|---------------|------------------------------------------------------------------------------------------------------------|----------------|-------------------------------------------------------------------------------------------------------------------|---------------|
| B1<br><br>Wood Dowel | Quantity of 13 | B2<br><br>Cam-Lock | Quantity of 12 | B3<br><br>Knob with Screw   | Quantity of 2 | B4<br><br>Screw       | Quantity of 18 | B5<br><br>Bolts with Washers | Quantity of 4 |
| B6<br><br>Screw      | Quantity of 14 | B7<br><br>Screw    | Quantity of 2  | B8<br><br>Anchor with Screw | Quantity of 1 | B9<br><br>Anti-tip kit | Quantity of 1  |                                                                                                                   |               |

## APPENDIX: Dimension of Hardwares in this AI.

|                                                                                                               |                                                                                                                                                                                                                |                                                                                                            |                                                                                                            |
|---------------------------------------------------------------------------------------------------------------|----------------------------------------------------------------------------------------------------------------------------------------------------------------------------------------------------------------|------------------------------------------------------------------------------------------------------------|------------------------------------------------------------------------------------------------------------|
| <p>B1</p>  <p>Wood Dowel</p> | <p>B2</p>  <p>Cam-bolt</p>  <p>Cam-Lock</p> | <p>B3</p>  <p>Screw</p> |                                                                                                            |
| <p>B4</p>  <p>Screw</p>      | <p>B5</p>  <p>Bolt</p>                                                                                                        | <p>B6</p>  <p>Screw</p>  | <p>B7</p>  <p>Screw</p> |
| <p>B8</p>  <p>Screw</p>      | <p>B9</p>  <p>Screw</p>                                                                                                       |                                                                                                            |                                                                                                            |

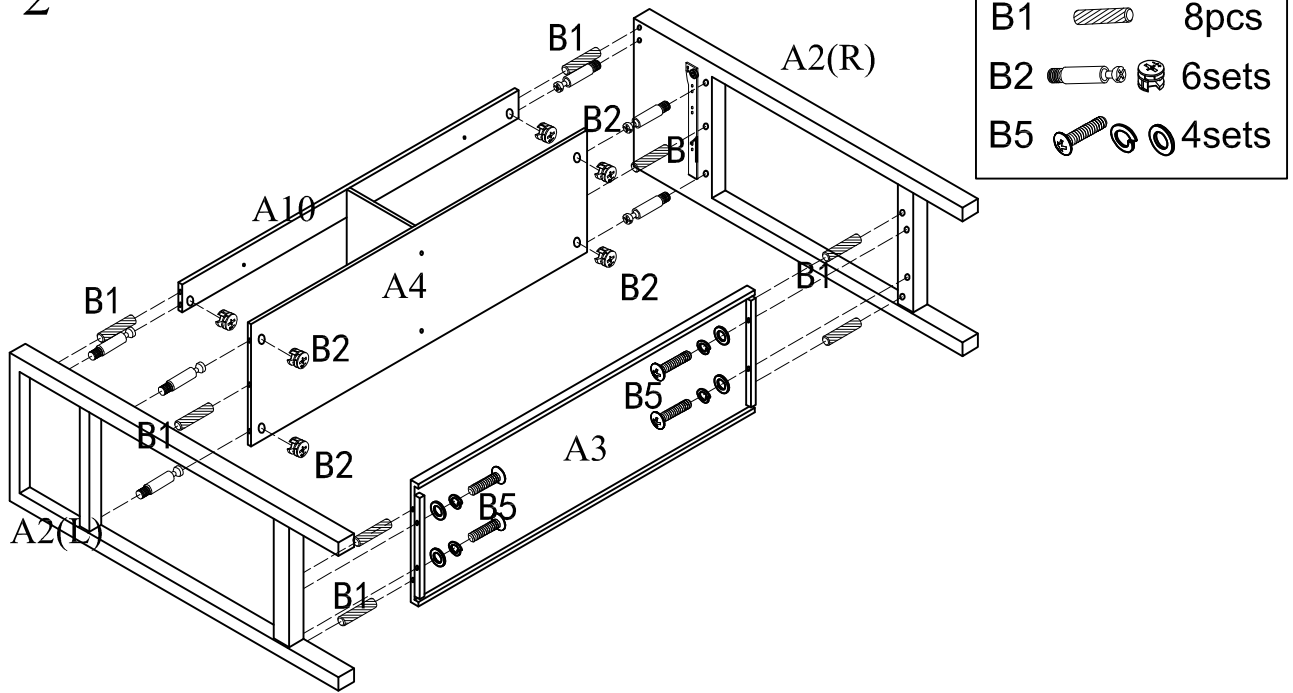
## STEP 1



|    |                                                                                       |      |
|----|---------------------------------------------------------------------------------------|------|
| B1 |  | 2pcs |
| B2 |  | 1set |
| B4 |  | 2pcs |

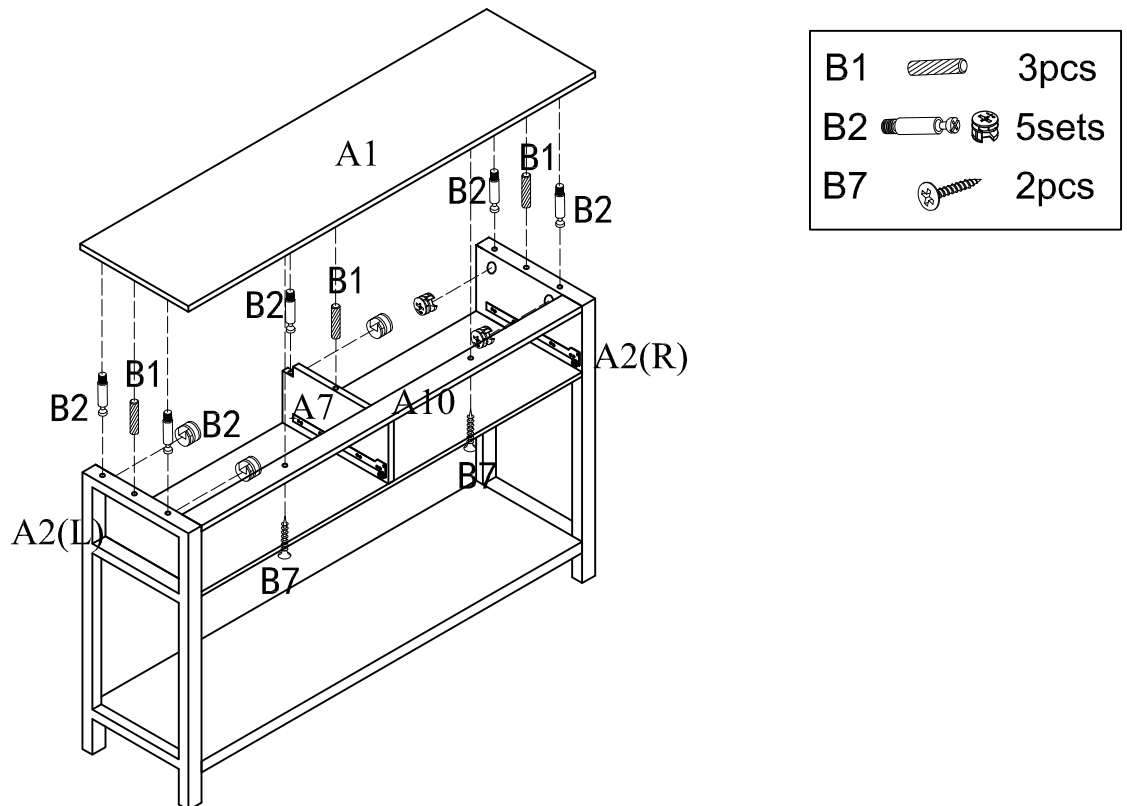
Assemble Cross Bar A10 and Shelf Panel A4 to Divider A5 using Wood Dowels B1, Camlocks B2 and Screws B4 as shown above.

## STEP 2




Assemble Side Panels A2(L&R) to Bottom Panel A5, Shelf Panel A4, Cross Bar A10 using Wood Dowels B1, Bolts with washers B2 and Camlocks B2 as shown above.

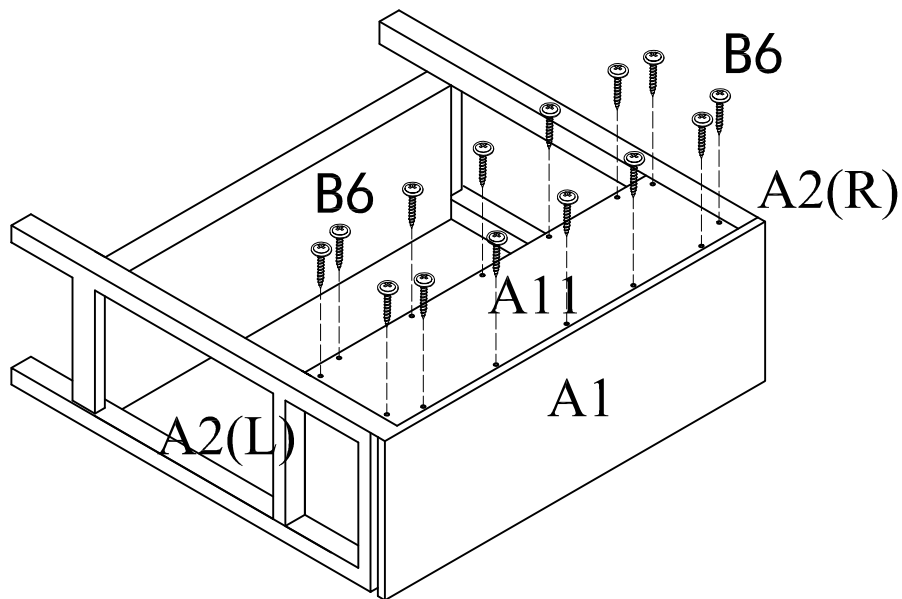
## STEP 3



Assemble Top Panel A1 to Side Panels A2(L&R), Cross Bar A10 and Divider A7 using Wood Dowels B1, Camlocks B2 and Screws B7 as shown above.



## STEP 4

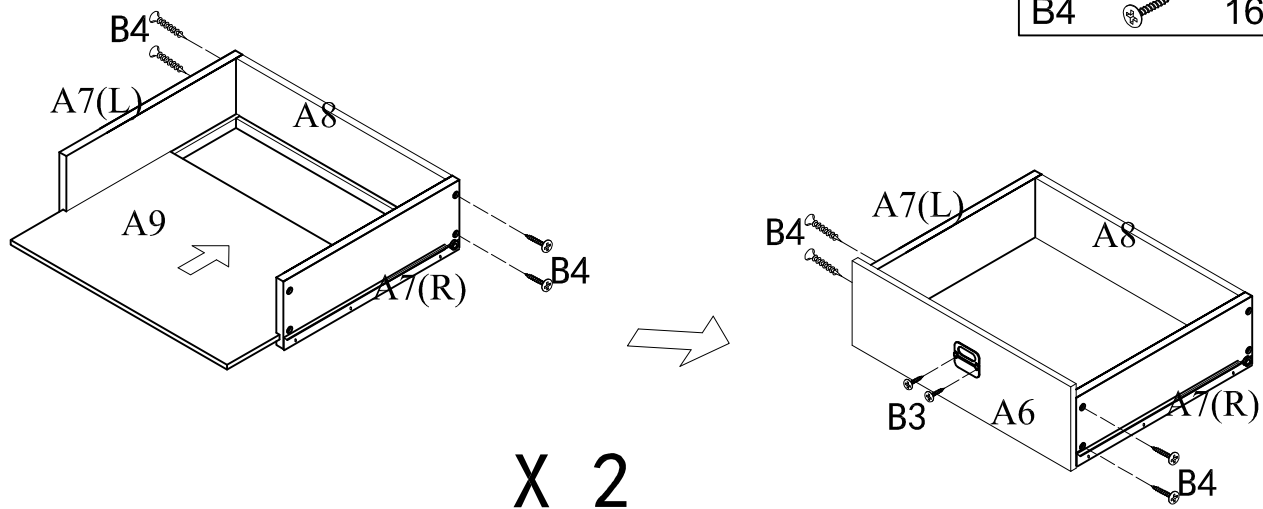
B6  14pcs



Attach Back Panel A11 to the back of the table using Screws B6 as shown above.

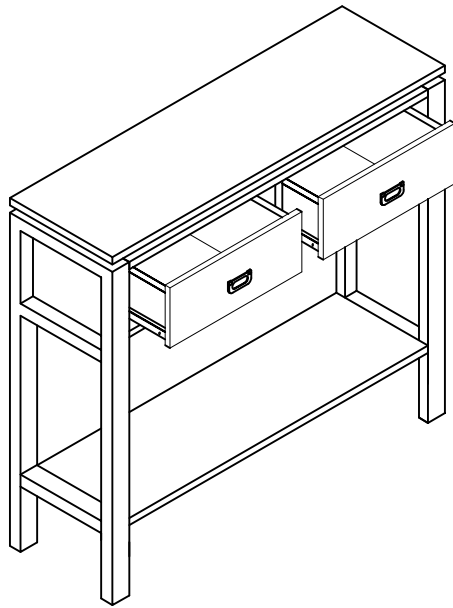
## STEP 5

B3  2sets  
B4  16pcs





- 1). Assemble Drawer Side Panels A7(L&R) to Drawer Back Panel A8 using Screws B4.
- 2). Insert Drawer Bottom Panel A9 into the grooves on the Drawer Side Panels A7(L&R), Drawer Back Panel A8.
- 3). Assemble Drawer Front Panel A6 to Drawer Side Panels A7 (L&R) using Screws B4.
- 4). Attach Drawer Handle B3 to Drawer Front Panel A6 using included screws.
- 5). Repeat above steps to assemble the other drawer.

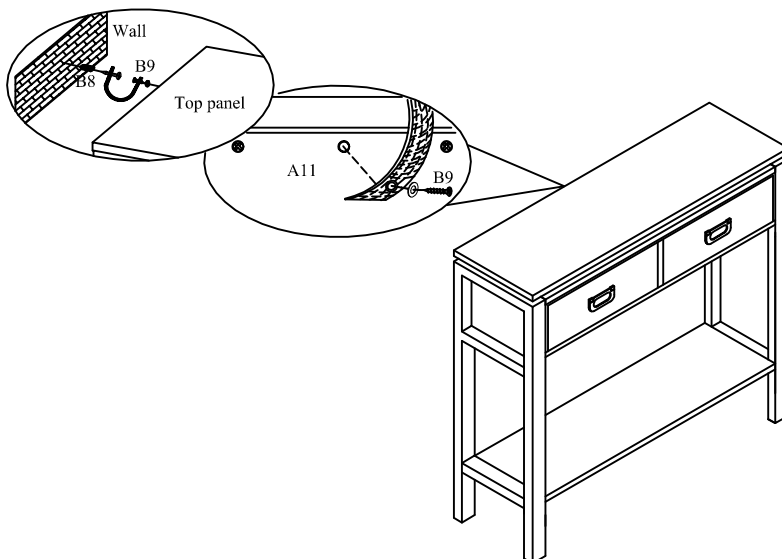
## STEP 6



Insert Drawers into the table as shown above.

## STEP 7

|    |                                                                                       |      |
|----|---------------------------------------------------------------------------------------|------|
| B8 |  | 1set |
| B9 |  | 1set |



For your safety, please attach the table to the wall using Anchor with screw B8 and Anti-tip Kit B9 as shown above.