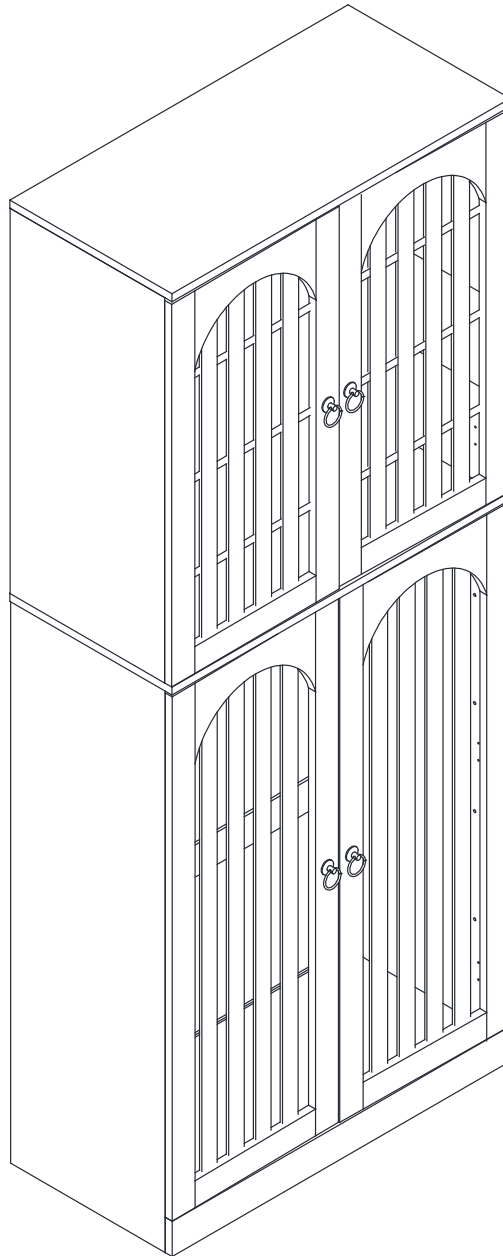


Tribesigns

DESIGNED FOR LIFE

Assembly Instructions



Shoe Cabinet

Model No.
HOGA-JW1092

 **LITTLE TREE**
Little Tree by Tribesigns

www.tribesigns.com



Contact Us

We're here to help you.




Your satisfaction is our top priority. If you encounter any issues with this product, such as missing or damaged parts, we're here to help. Please retain the original packaging and take photos of the packaging and the product, then contact us as soon as possible.

Warm Tips

1. Carefully read these instructions and keep them for future reference.
2. Check the parts list and confirm everything's there before starting assembly.
3. When assembling, put all parts on a soft, smooth surface like a carpet to avoid scratches.
4. Don't fully tighten screws until all parts are confirmed in place to avoid misalignment.

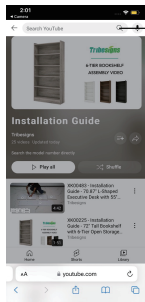
How to Get the Assembly Video

Step 1 Scan the QR code.



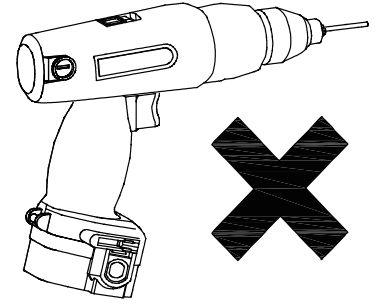
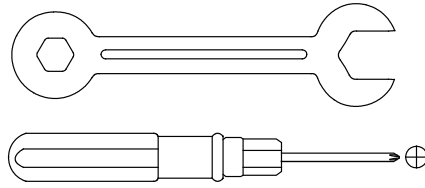
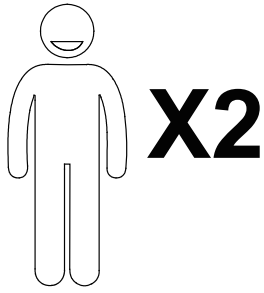
Installation Video

Step 2 Search with the Model No. (on the bottom left corner of the title page)



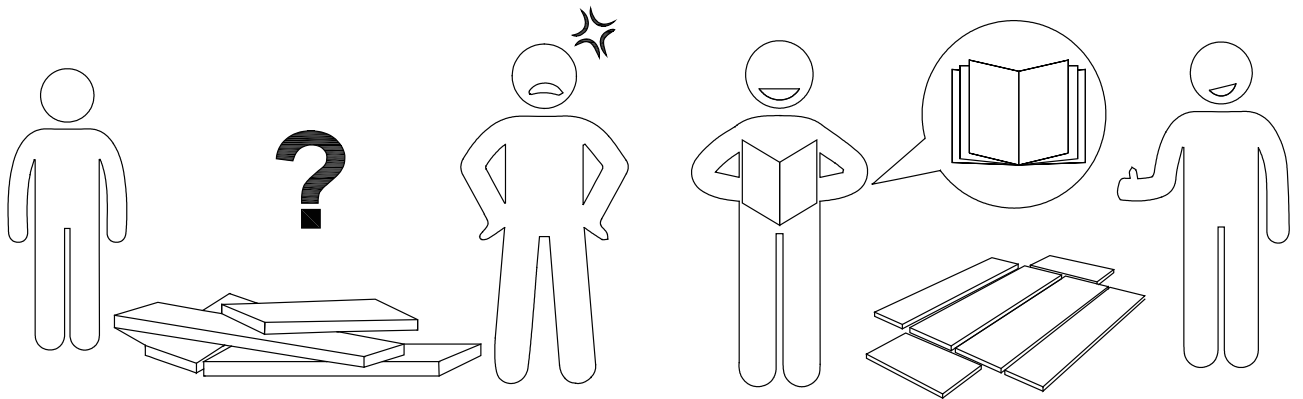
HOGA-JW1092

Note: If you can't find the assembly video, please contact us.



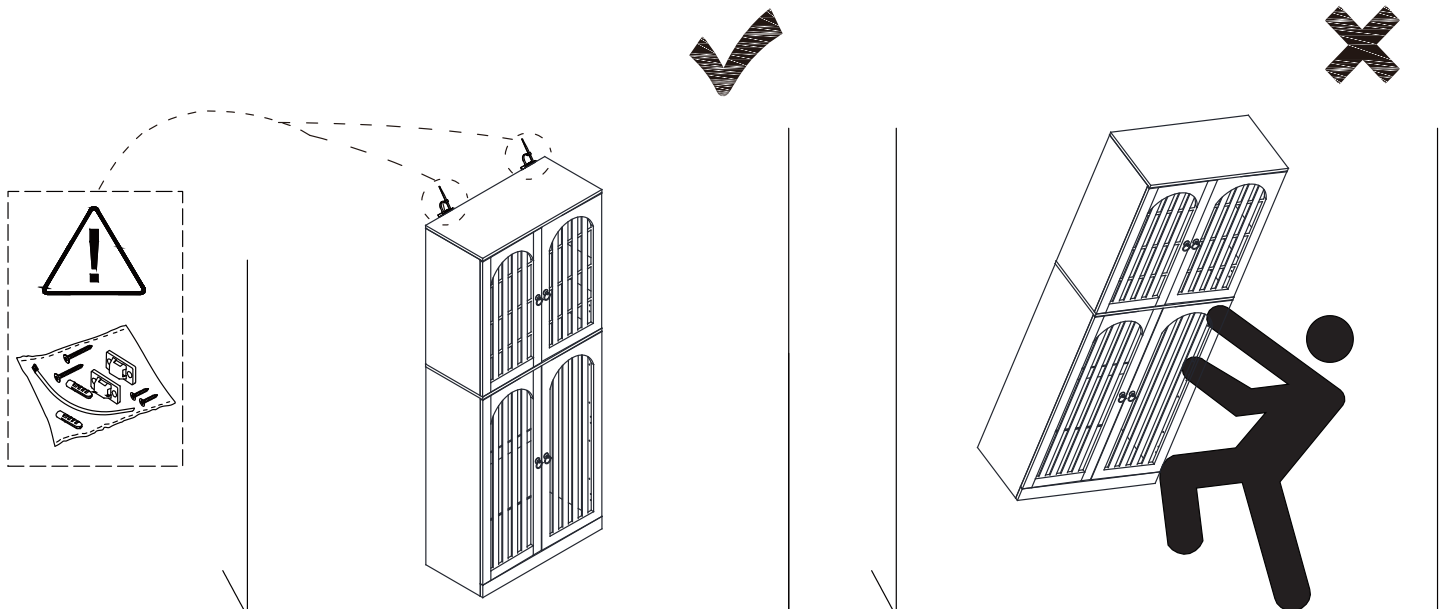
We recommend using hand tools for assembly.

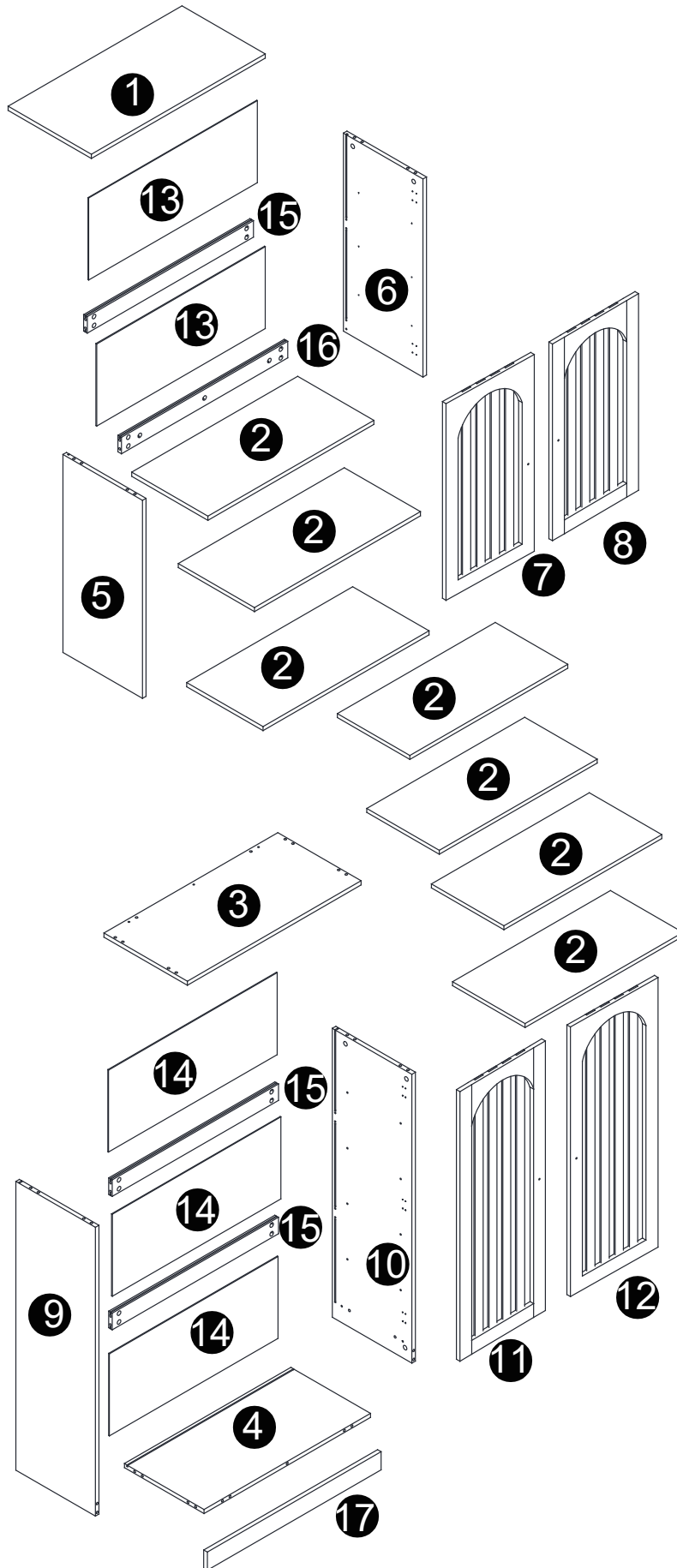
If an electric screwdriver is used, reduce power and torque to avoid damage to the product.



Install the Anti-Tip Straps

Using the anti-tip straps can reduce the risk of tipping over, but can not eliminate it.



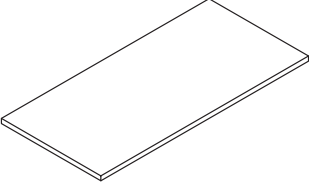
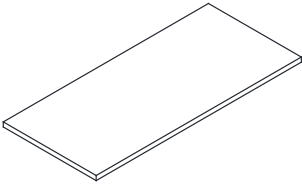
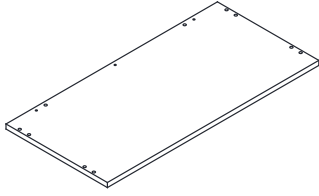
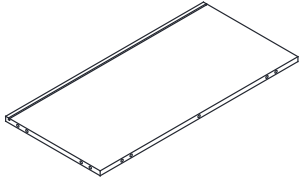
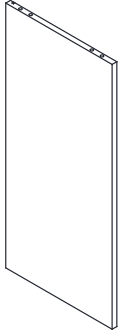
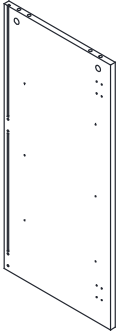
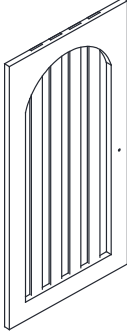
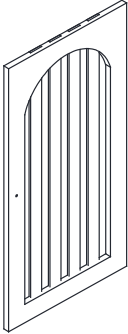
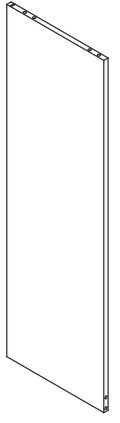

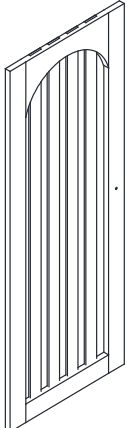
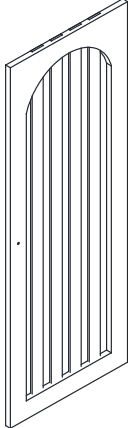
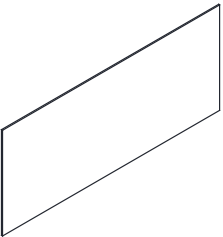
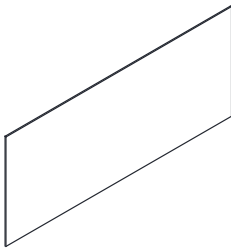
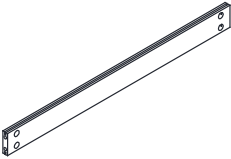
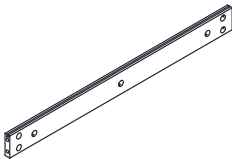


⚠ Caution

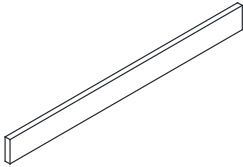
Make sure all parts are included. Most board parts are labeled or stamped on the raw edge. Contact us for a free replacement if you encounter any damaged or missing parts.



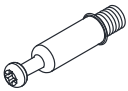


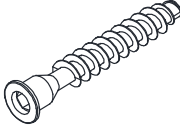
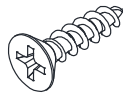
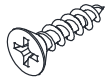
Parts List


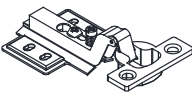

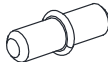
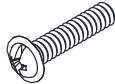

<p>1</p>  <p>1 pc</p>	<p>2</p>  <p>7 pcs</p>	<p>3</p>  <p>1 pc</p>	<p>4</p>  <p>1 pc</p>
<p>5</p>  <p>1 pc</p>	<p>6</p>  <p>1 pc</p>	<p>7</p>  <p>1 pc</p>	<p>8</p>  <p>1 pc</p>
<p>9</p>  <p>1 pc</p>	<p>10</p>  <p>1 pc</p>	<p>11</p>  <p>1 pc</p>	<p>12</p>  <p>1 pc</p>
<p>13</p>  <p>2 pcs</p>	<p>14</p>  <p>3 pcs</p>	<p>15</p>  <p>3 pcs</p>	<p>16</p>  <p>1 pc</p>


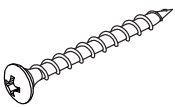
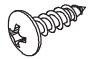
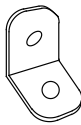

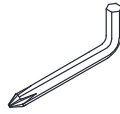


17  1 pc			
--	--	--	--

Hardware List

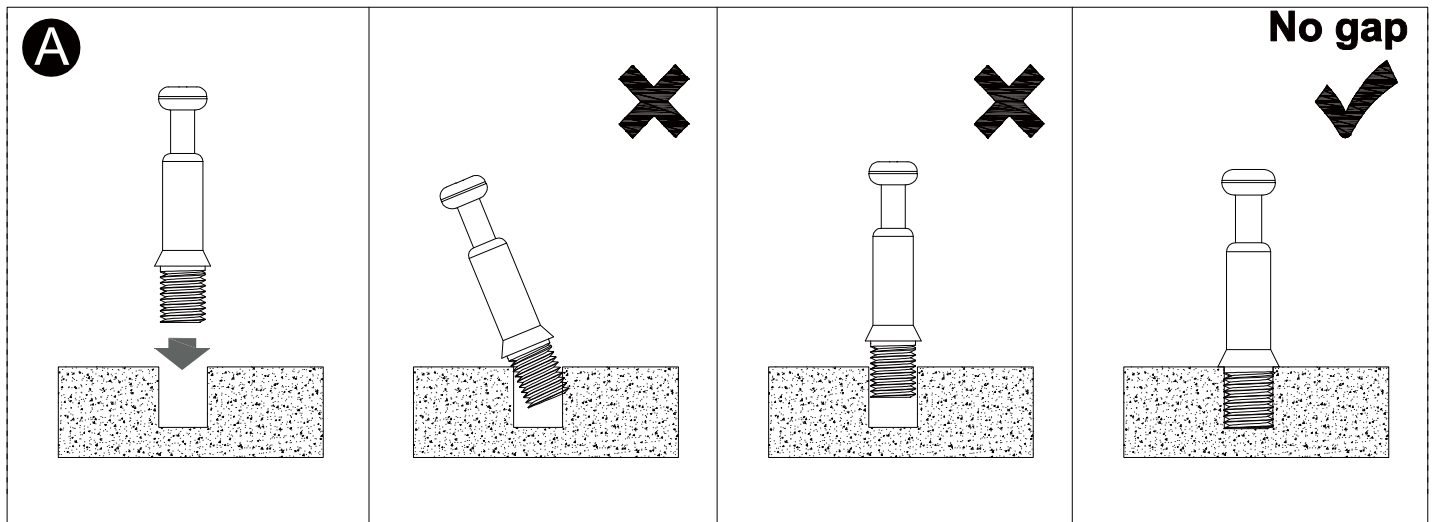
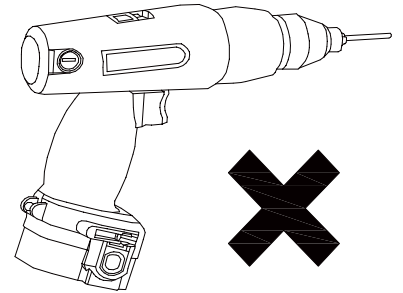
A	B	C	D	E	F
					
M6x35mm	Ø15x10 mm	Ø8x30mm	M7x38mm	M4x14mm	M3x14mm
36 pcs	36 pcs	22 pcs	4 pcs	60 pcs	20 pcs

G	H	I	J	K	L
				 M4x18mm	
6 pcs	10 pcs	20 pcs	28 pcs	4 pcs	4 pcs

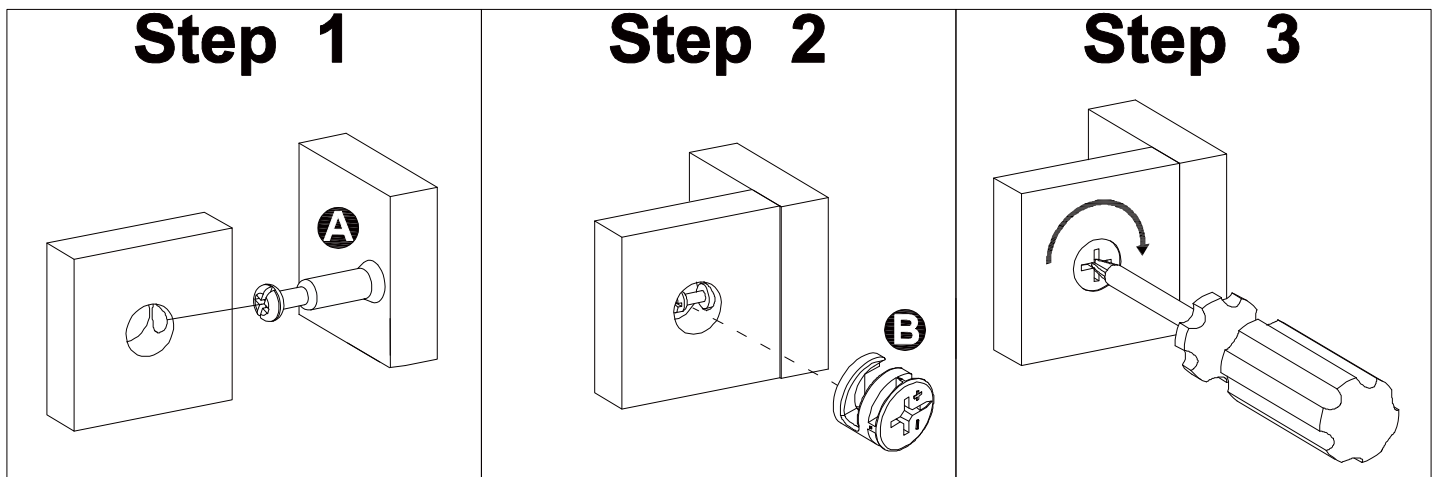
M	N	O	P	Q	R
	 M4x35mm	 M4x12mm			 M4
2 pcs	2 pcs	2 pcs	4 pcs	2 pcs	1 pc

Installation of Cams and Pins

Read each step carefully before starting. Each step of instruction should be performed in the correct order. If these steps are not followed in sequence, assembly difficulties may occur.

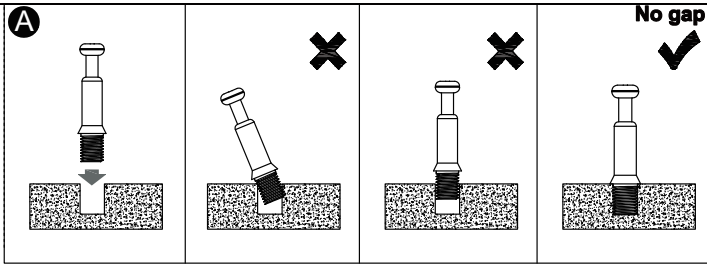


Screw the pin into the hole. Set the cams correctly by aligning the head of the cams with the lock pins. Lock the cam by turning the cam head with a screwdriver until it is tightened. Please do not use an electric screwdriver to assemble the unit.

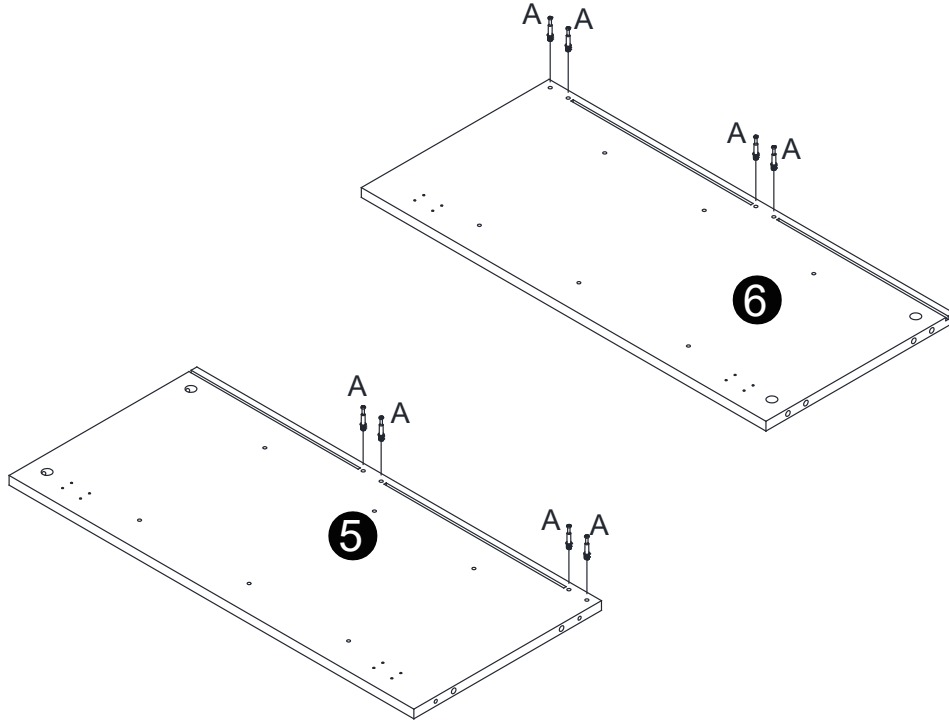




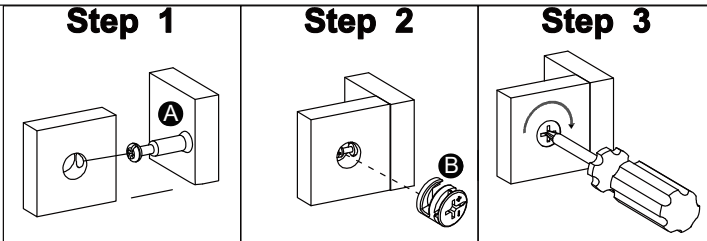
1



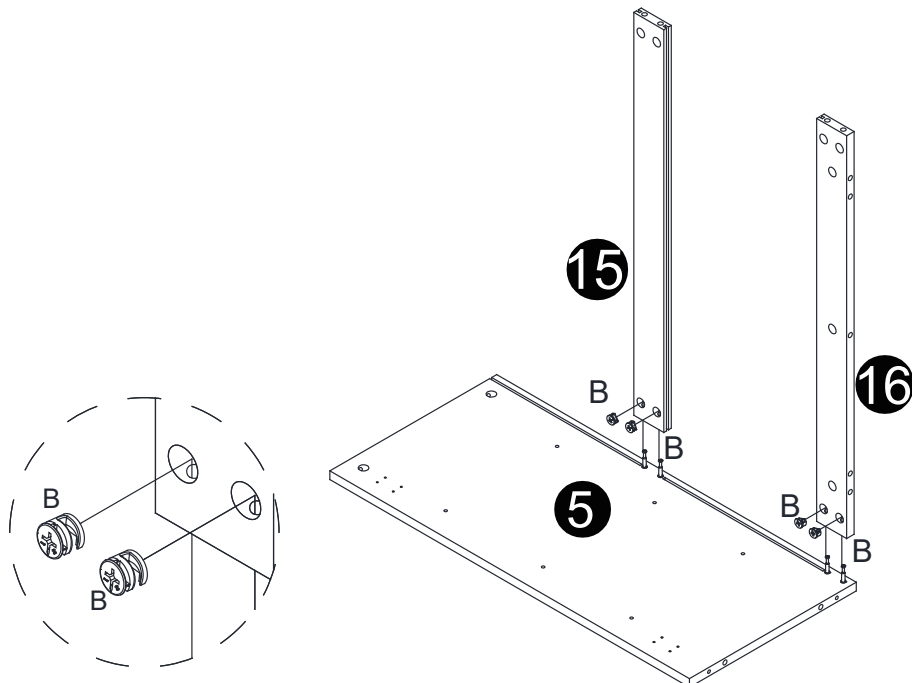
A
M6x35mm
8 pcs



2

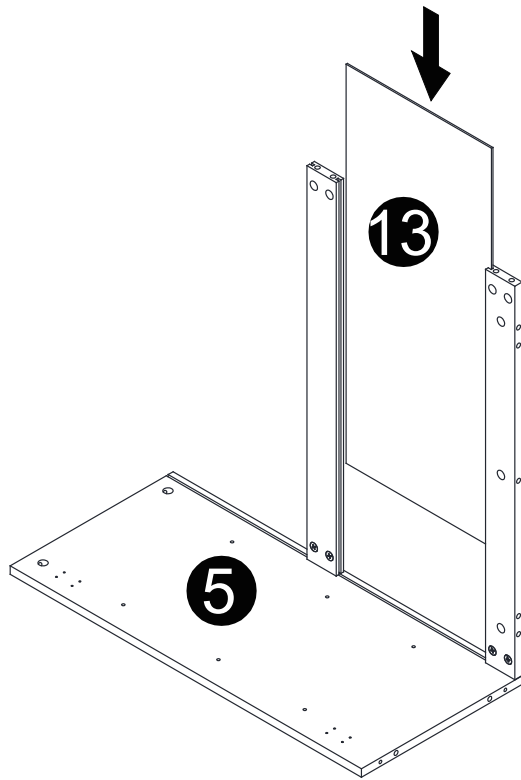


B
Ø15x10mm
4 pcs

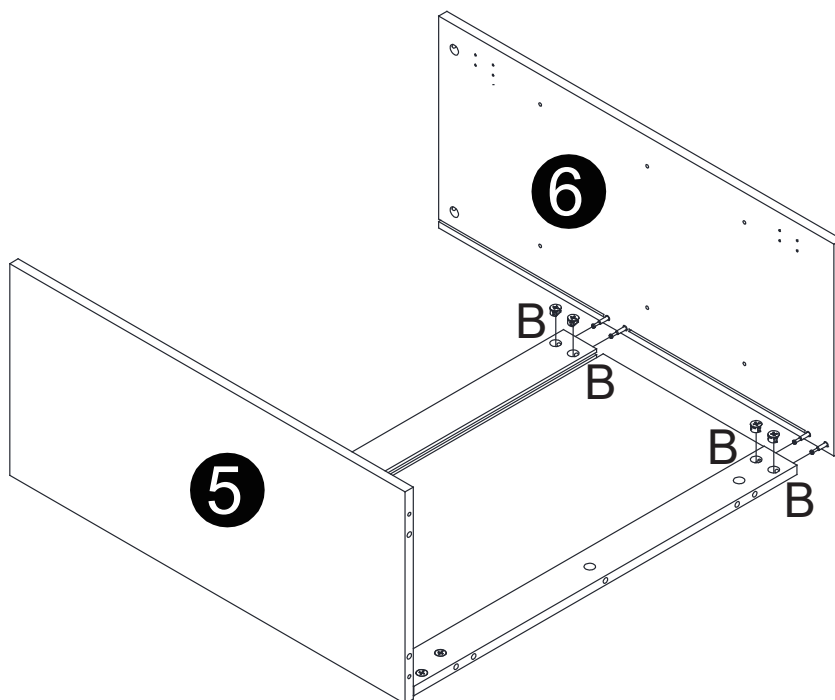





3



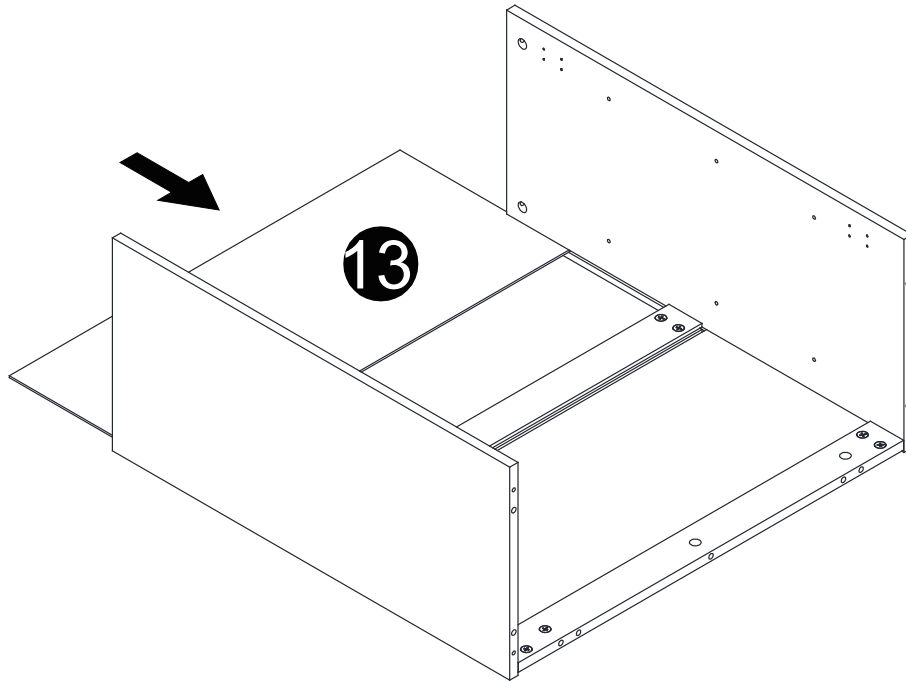
4



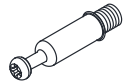

B

Ø15x10mm
4 pcs

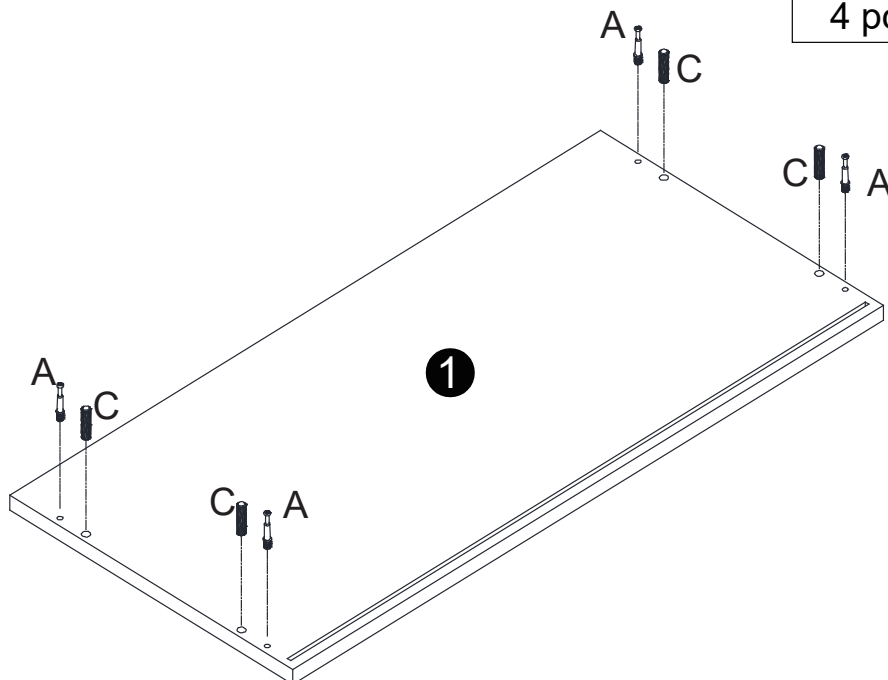


5



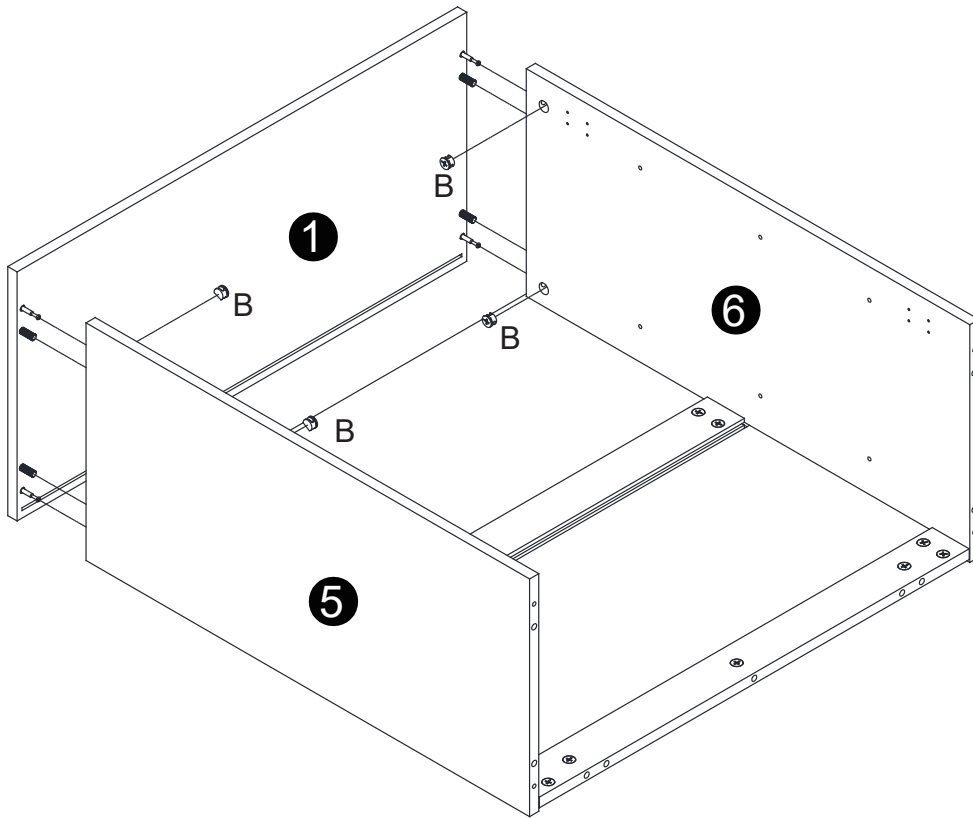
6


A	C
	
M6x35mm	Ø8x30mm
4 pcs	4 pcs









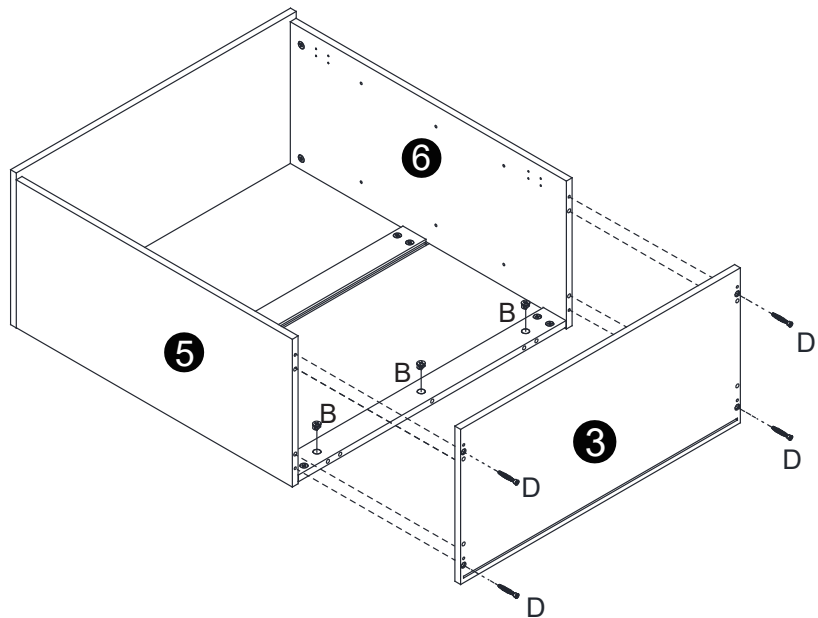
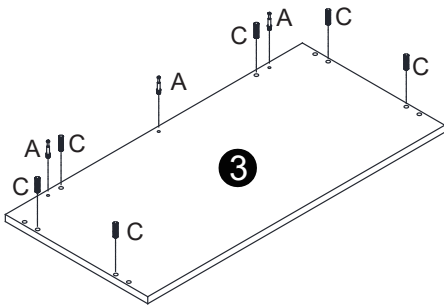
7



B

Ø15x10mm
4 pcs

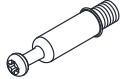

8

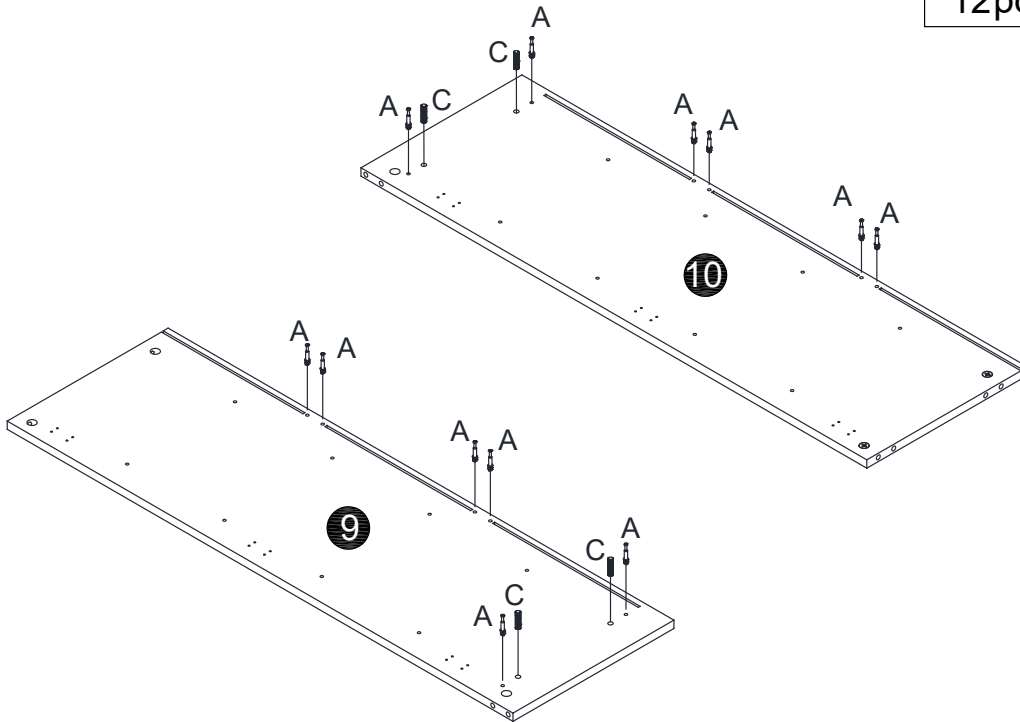
A	B	C	D
			
M6x35mm	Ø15x10mm	Ø8x30mm	M7x38mm
3 pcs	3 pcs	6 pcs	4 pcs






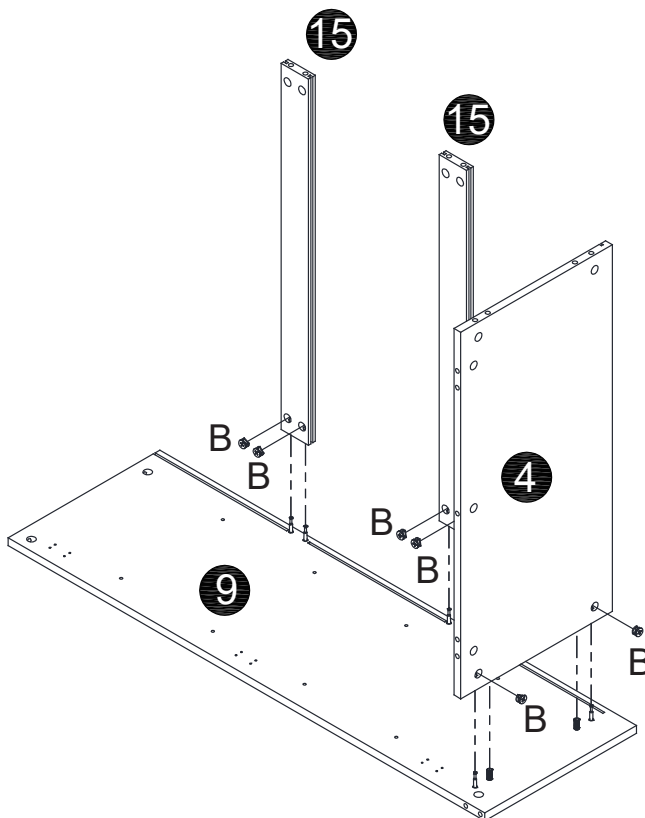
9

A	C
	
M6x35mm	Ø8x30mm
12 pcs	4 pcs



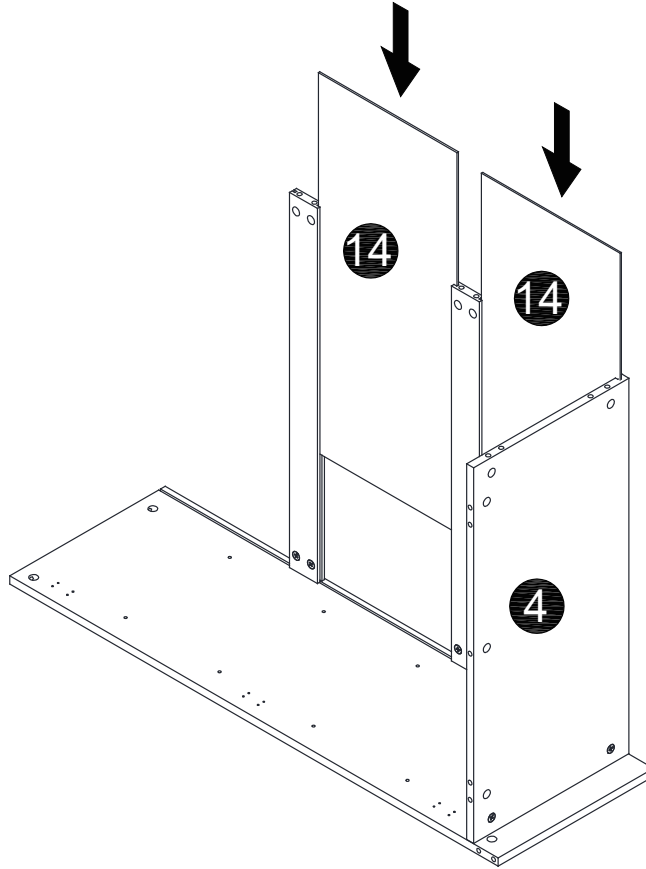
10

B

Ø15x10mm
6 pcs

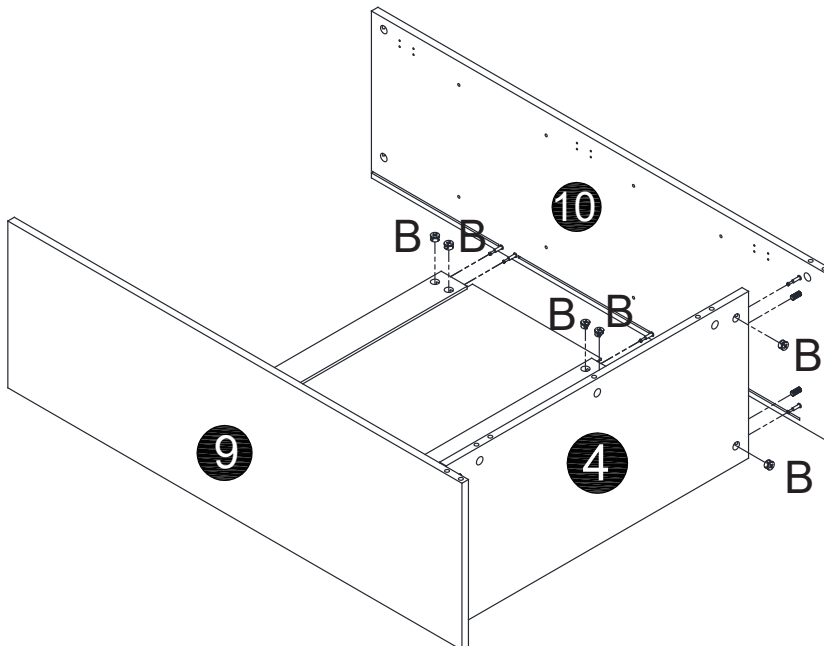





11



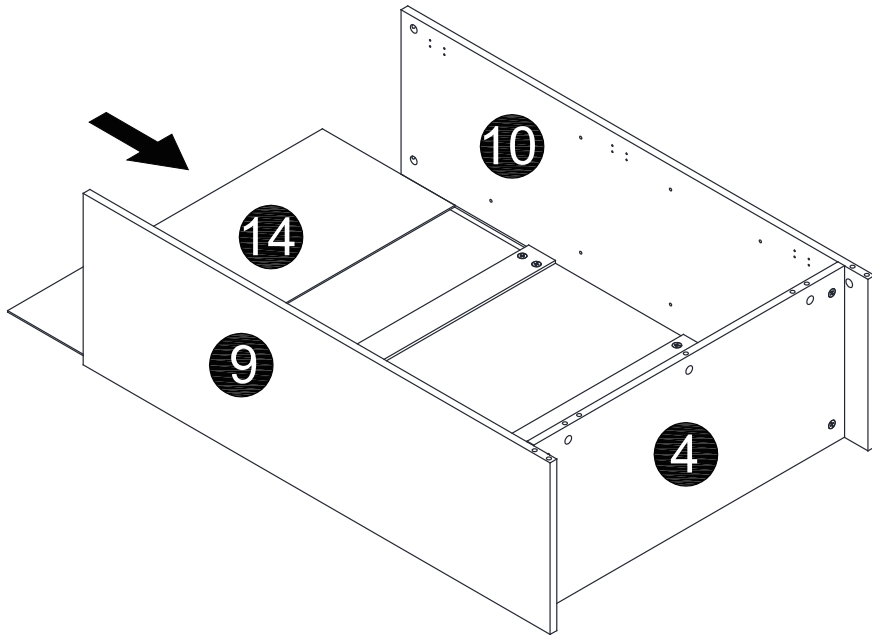
12



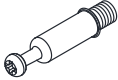


B

Ø15x10mm
6 pcs

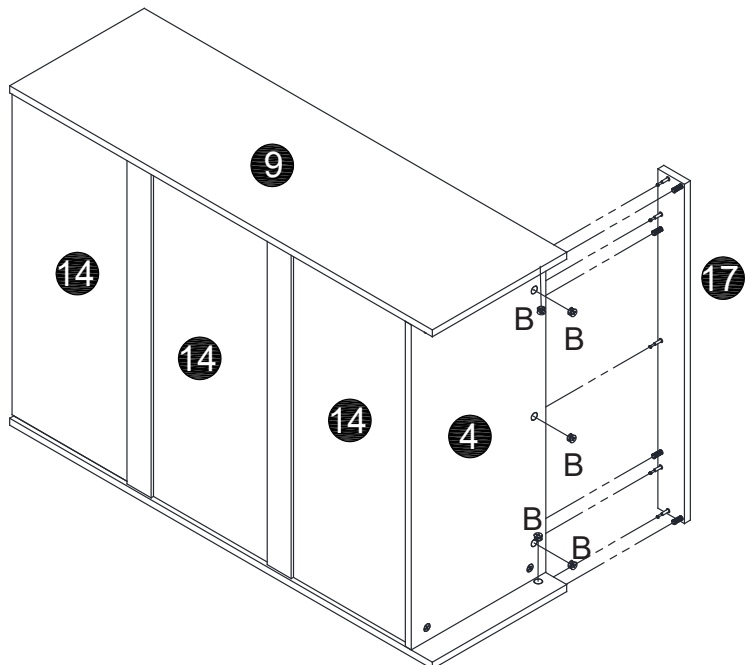
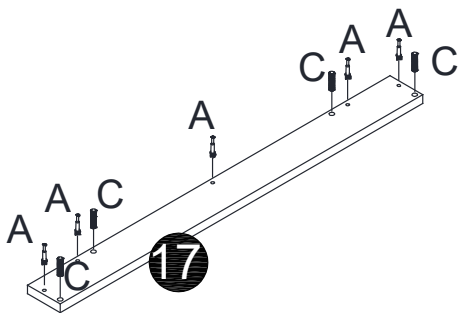


13




14

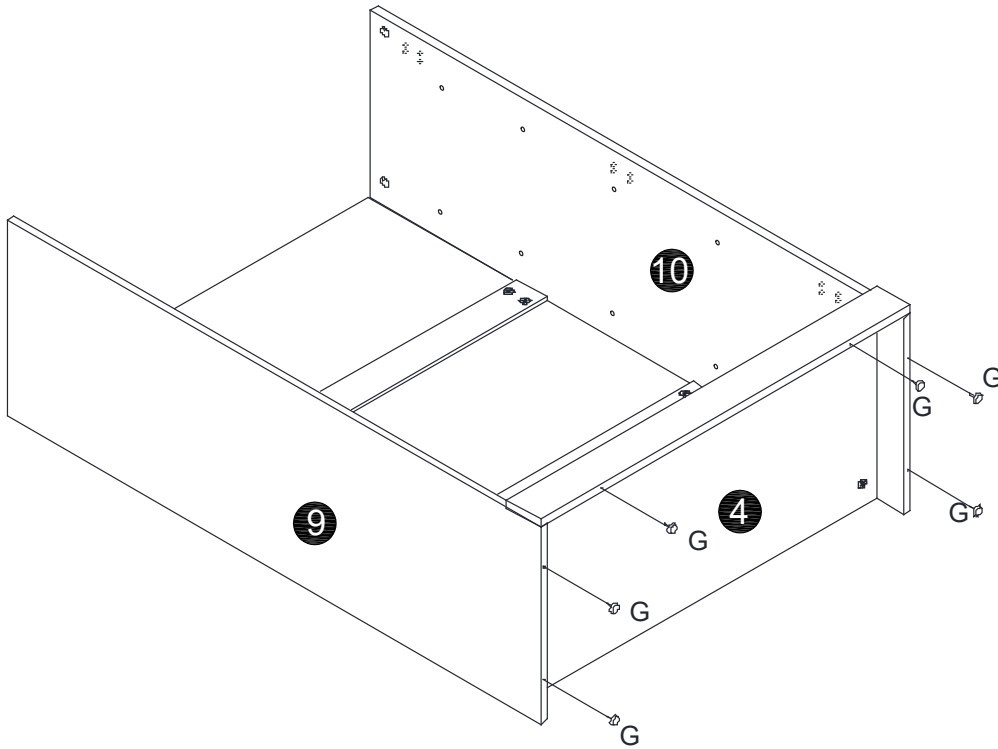
A	B	C
		
M6x35mm	Ø15x10mm	Ø8x30mm
5 pcs	5 pcs	4 pcs



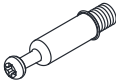



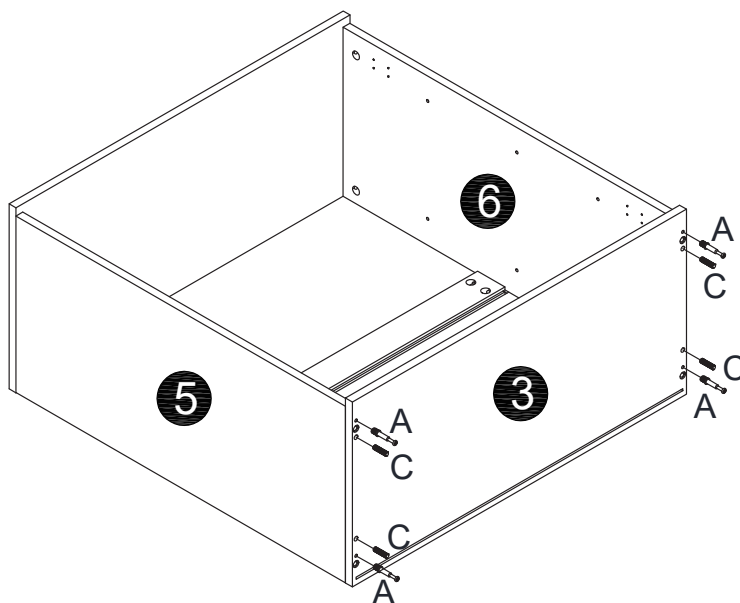
15

G

6 pcs



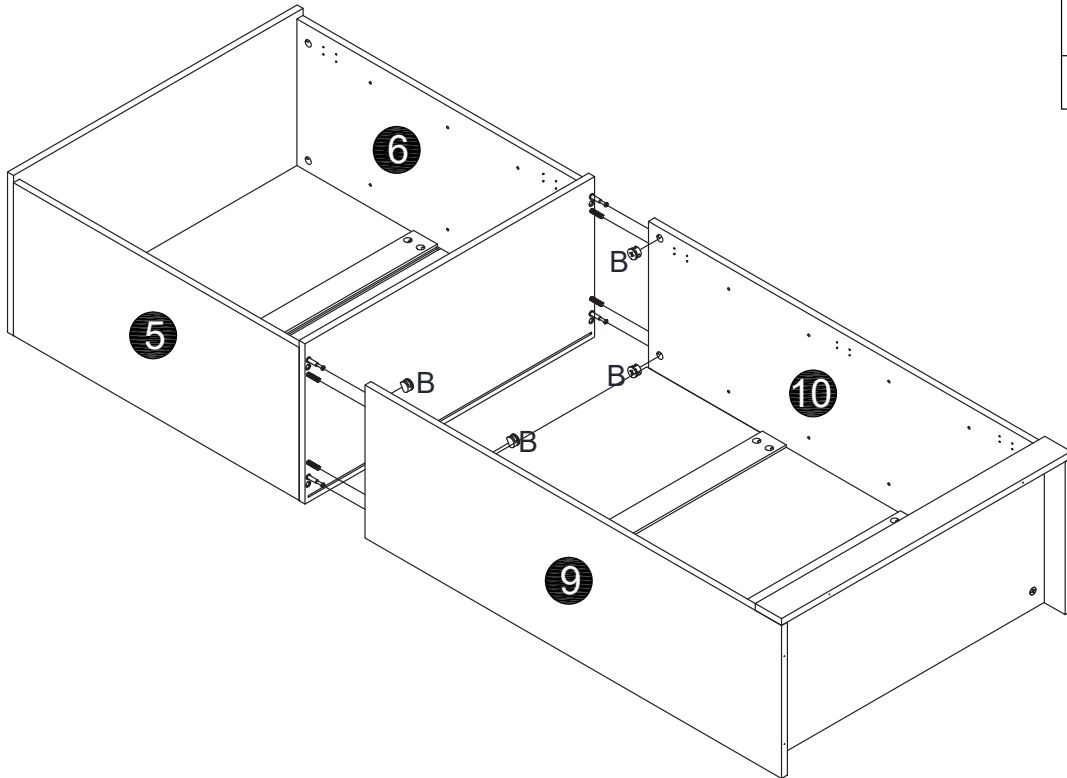
16

A	C
	
M6x35mm	Ø8x30mm
4 pcs	4 pcs



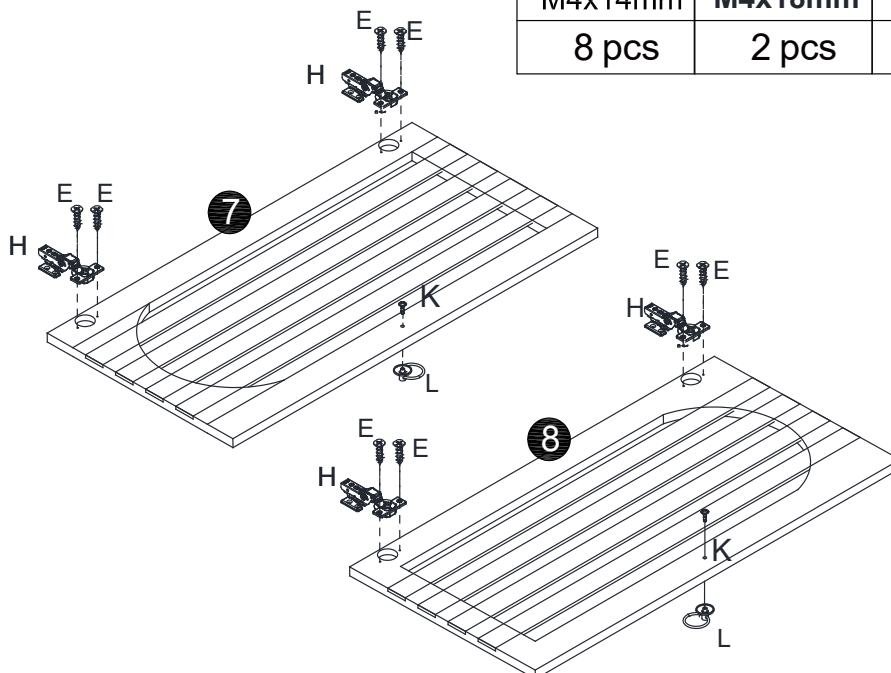


17



B
Ø15x10mm
4 pcs





18

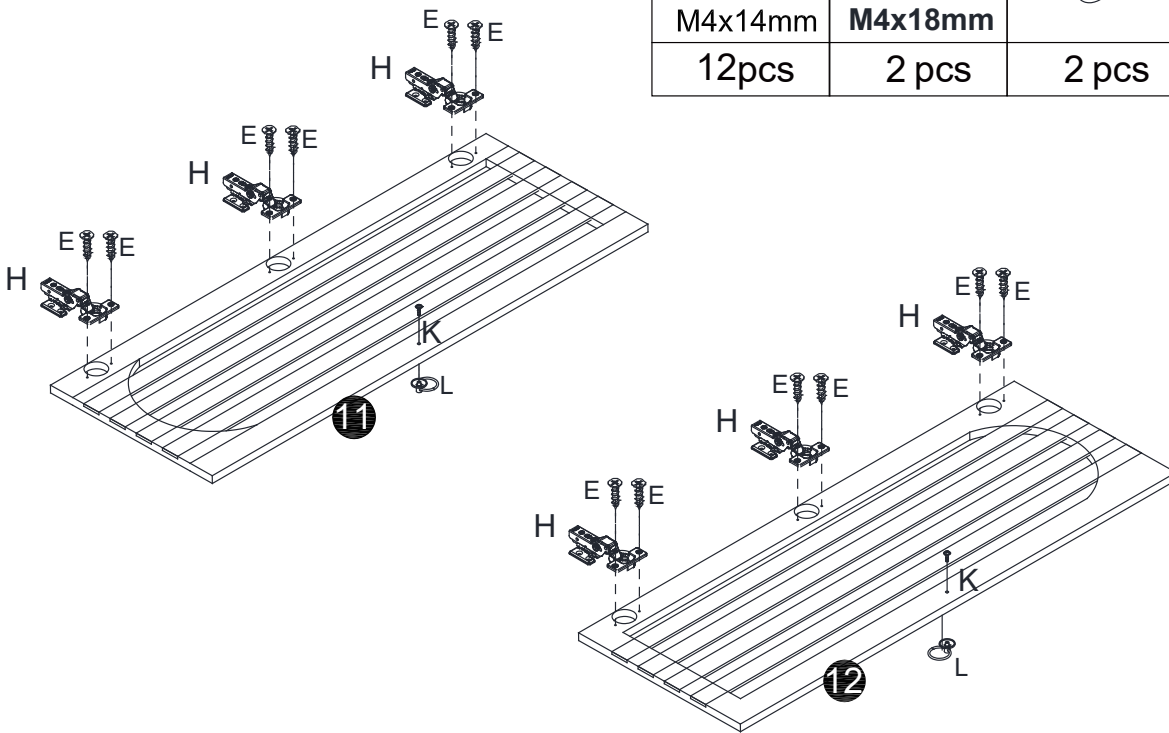


E	K	L	H
M4x14mm	M4x18mm		
8 pcs	2 pcs	2 pcs	4 pcs

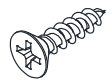


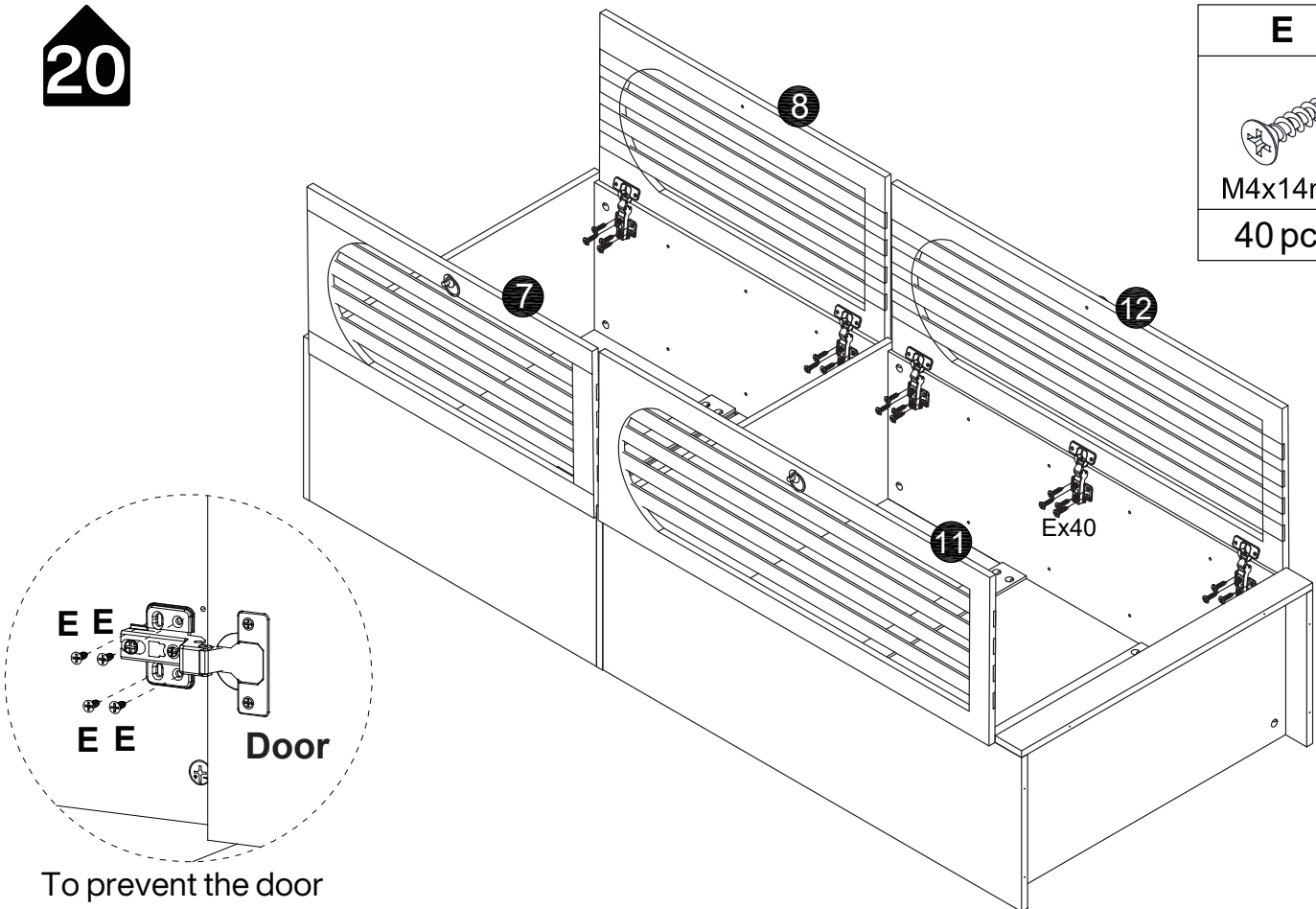
19

E	K	L	H
			
M4x14mm	M4x18mm		
12 pcs	2 pcs	2 pcs	6 pcs



20

E

M4x14mm
40 pcs

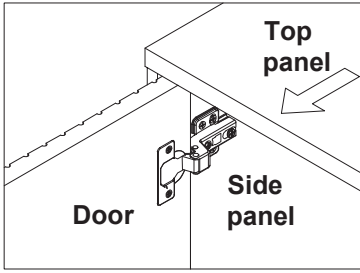


To prevent the door hinge from falling off, please install 4 screws



Step 1

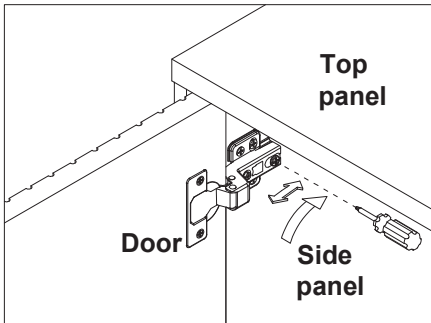
Open the door.



ADJUST YOUR DOORS TO MAKE THE GAPS MORE EVEN (OPTIONAL).

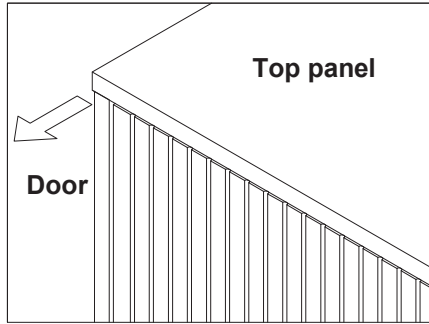
Step 2

Adjust the door panel to be flush with side panel and top panel edge.

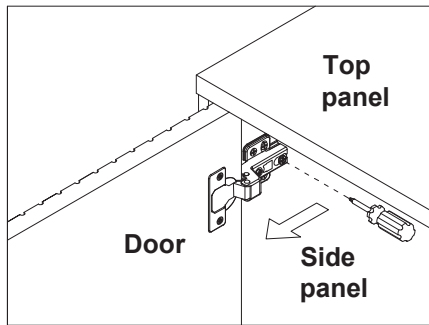
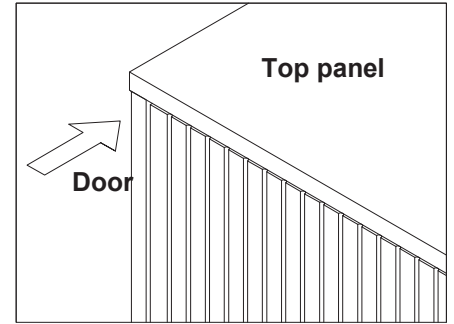


Loosen the screw indicated a little, adjust the hinge to the right position (see step 2a & 2b), then tighten the screw.

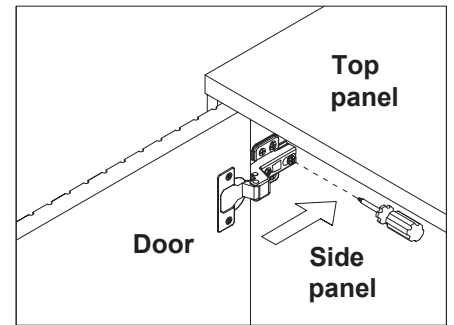
Step 2a MOVE DOOR OUT



Step 2b MOVE DOOR IN



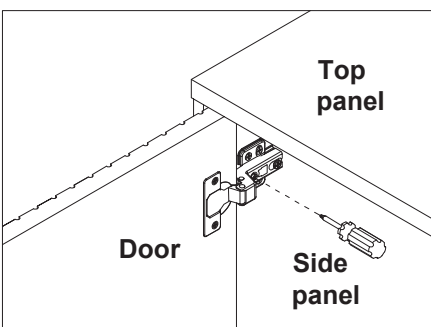
Pull the hinge forward a little.



Push the hinge back a little.

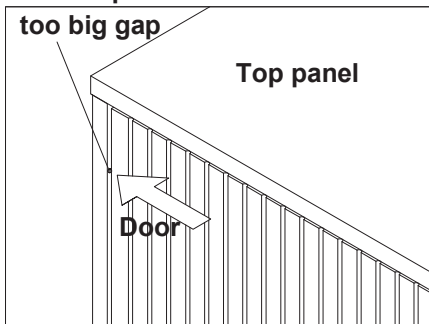
Step 3

Adjust the gap between the door panel and the side panel.

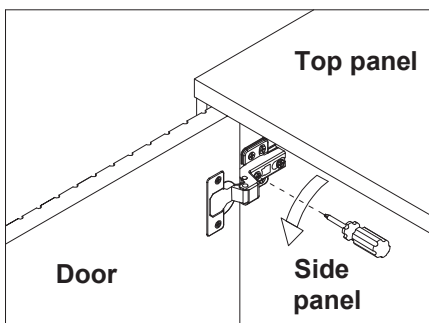
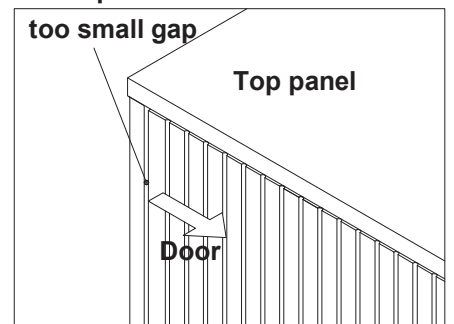


Loosen or tighten the screw indicated a little to adjust the gap between the door panels, adjust the hinge to the right position (see step 3a & 3b).

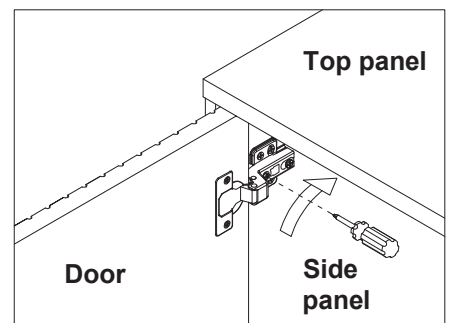
Step 3a MOVE DOOR LEFT



Step 3b MOVE DOOR RIGHT



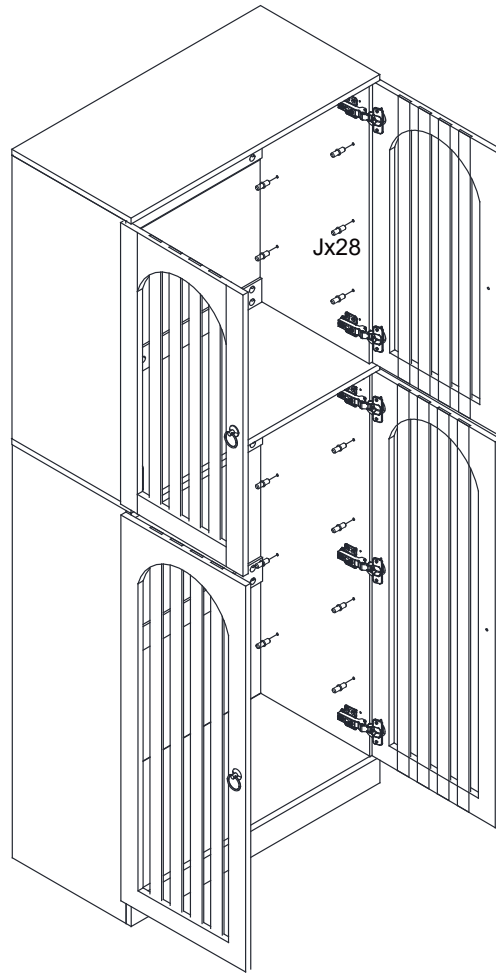
Turn the screw clockwise a little as shown to make the gap smaller

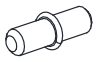


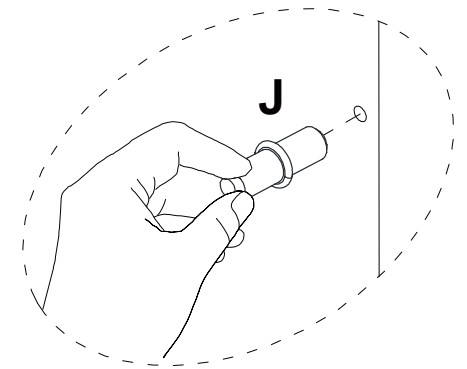
Turn the screw counterclockwise a little as shown to make the gap bigger



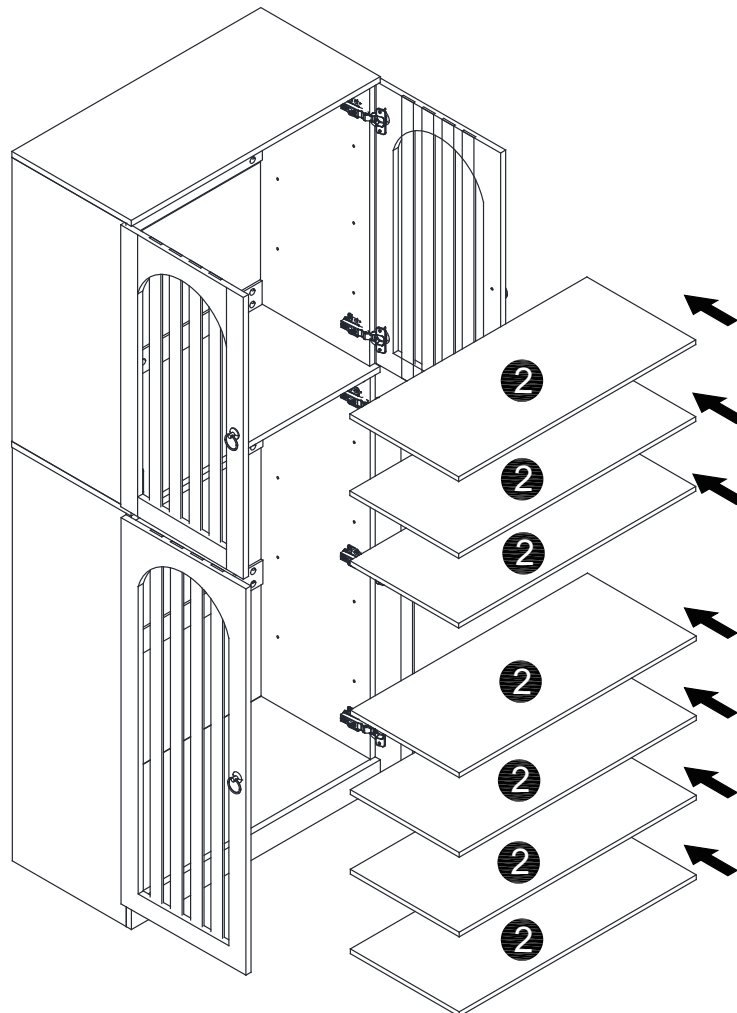
21



J

28 pcs

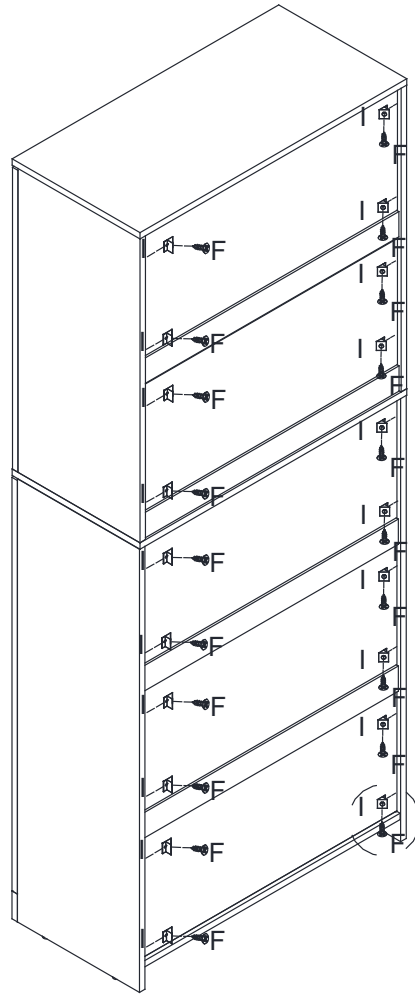


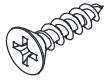

22

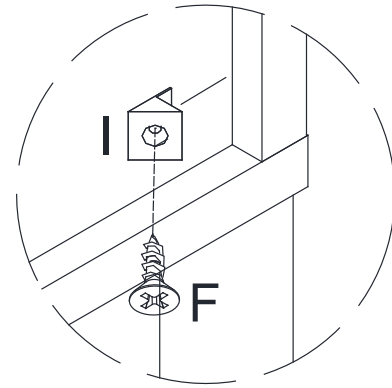




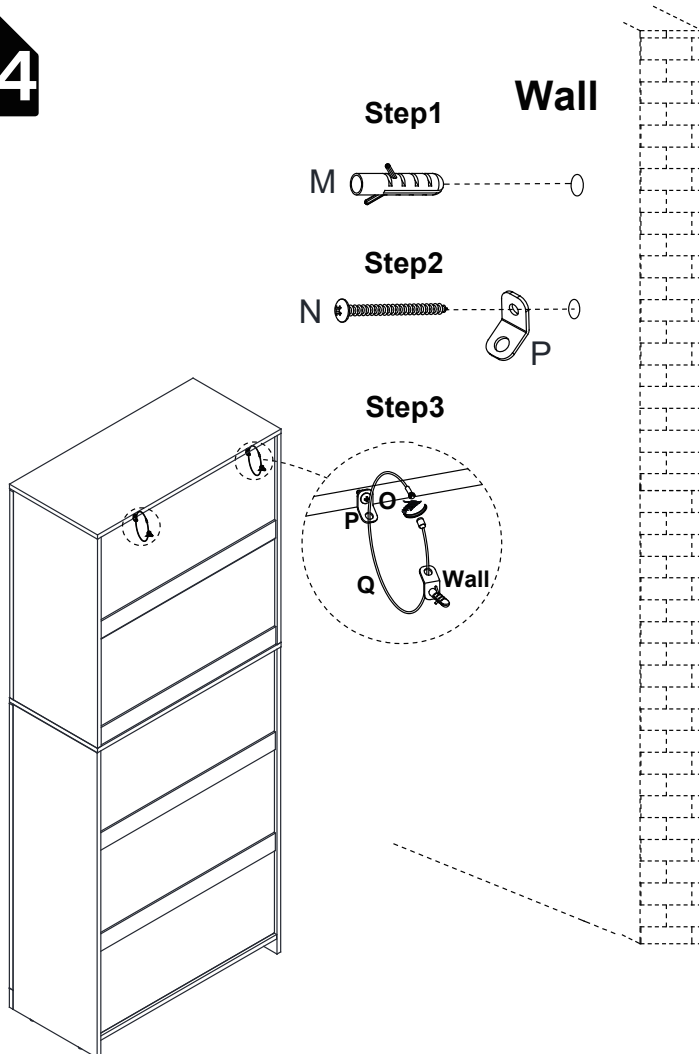
23



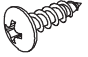




F	I
	
M3x14mm	
20 pcs	20 pcs



24

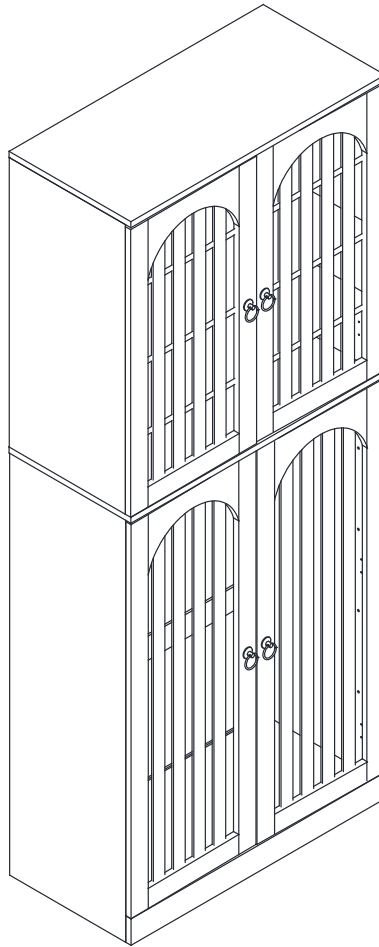


M	N	O
		
	M4x35mm	M4x12mm
2 pcs	2 pcs	2 pcs
P	Q	
		
4 pcs	2 pcs	



DESIGNED FOR LIFE

Thank you for your support!



Contact our customer service team



support@tribesigns.com
www.tribesigns.com



1-424-220-6888

7 AM to 8 PM EST,
Monday to Friday

Follow Tribesigns



Facebook



Instagram



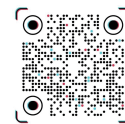
Pinterest



Twitter



YouTube



TikTok



WhatsApp