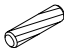



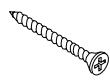
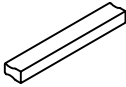

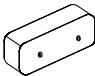

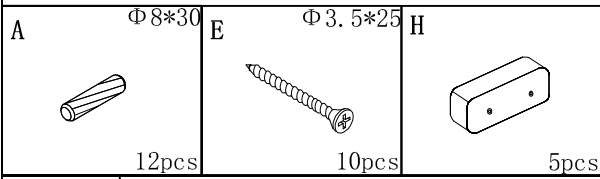
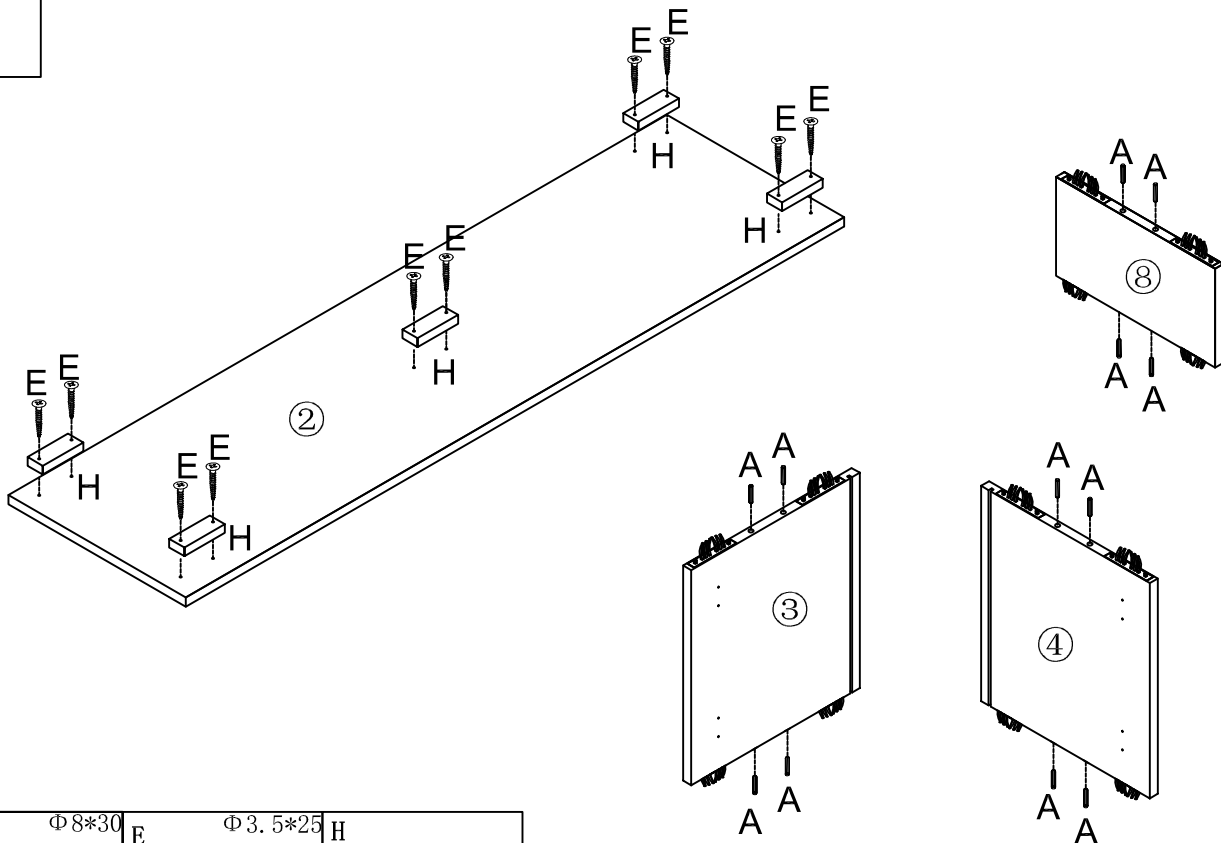
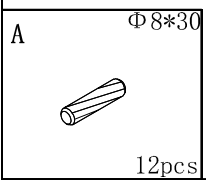
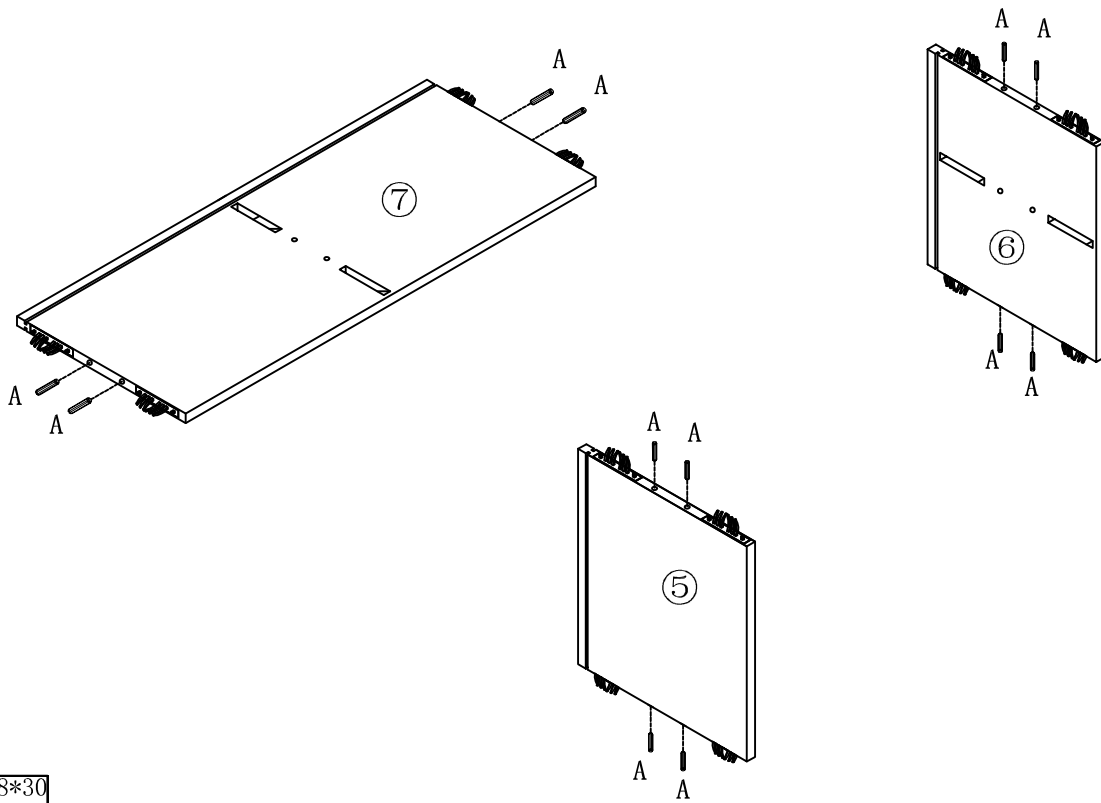


<p>A <math>\Phi 8*30</math></p>  <p>24pcs</p>	<p>B</p>  <p>2pcs</p>	<p>C</p>  <p>6pcs</p>	<p>D <math>\Phi 3.5*14</math></p>  <p>34pcs</p>	<p>E <math>\Phi 3.5*25</math></p>  <p>10pcs</p>	<p>F</p>  <p>3pcs</p>	<p>G</p>  <p>6pcs</p>	<p>H</p>  <p>5pcs</p>	<p>I</p>  <p>1pcs</p>
---	--	--	--	--	---	--	--	--

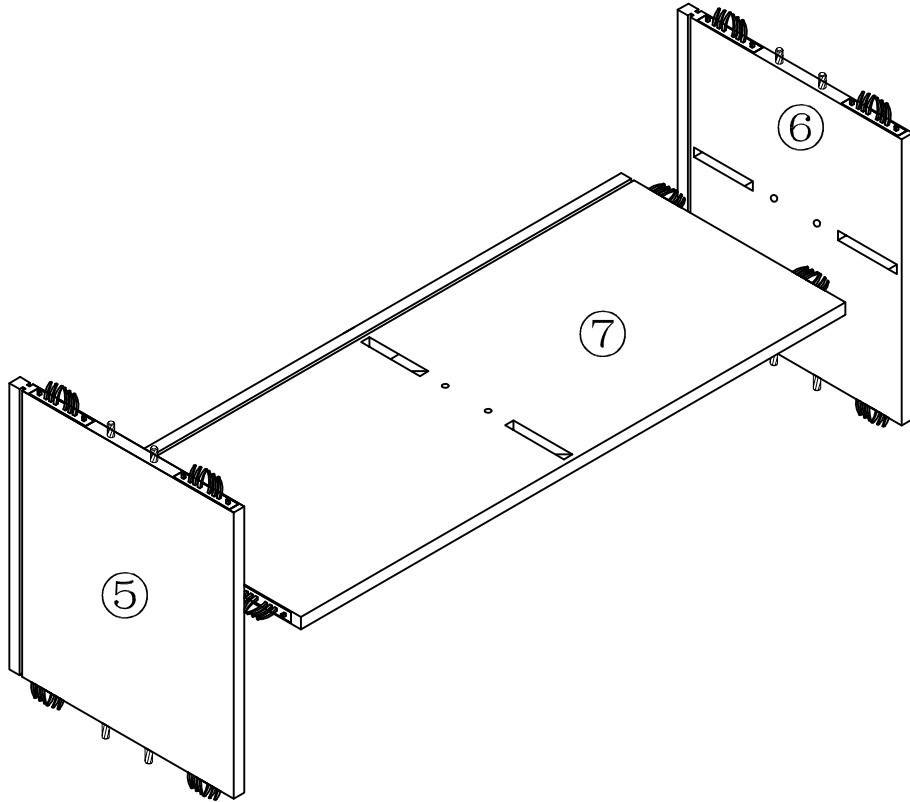
1



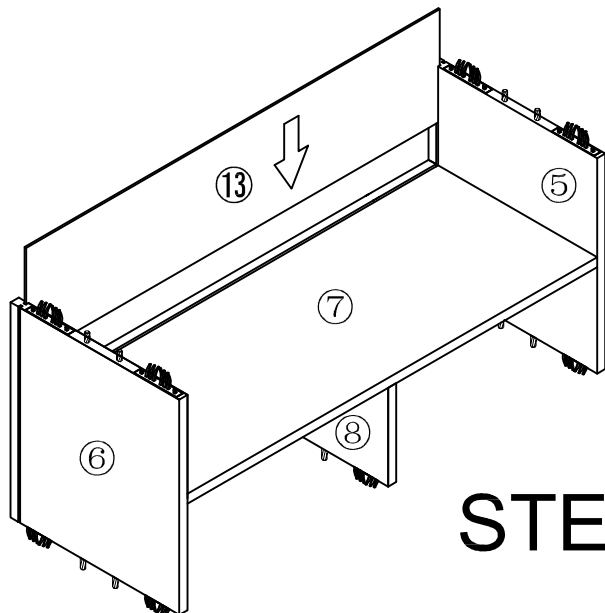
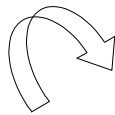
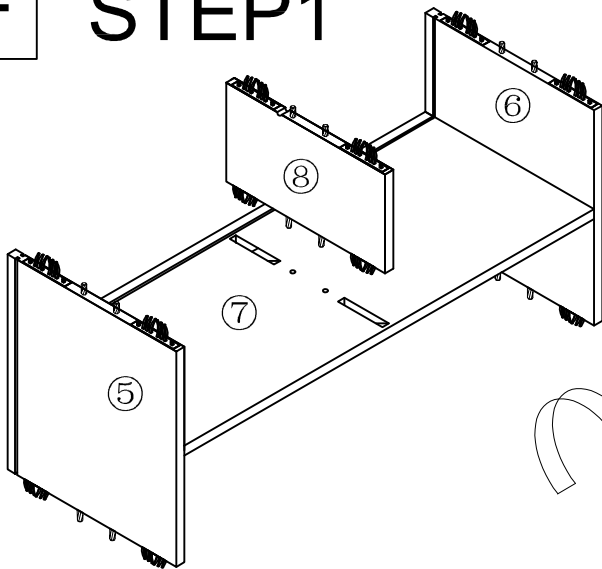
2



3



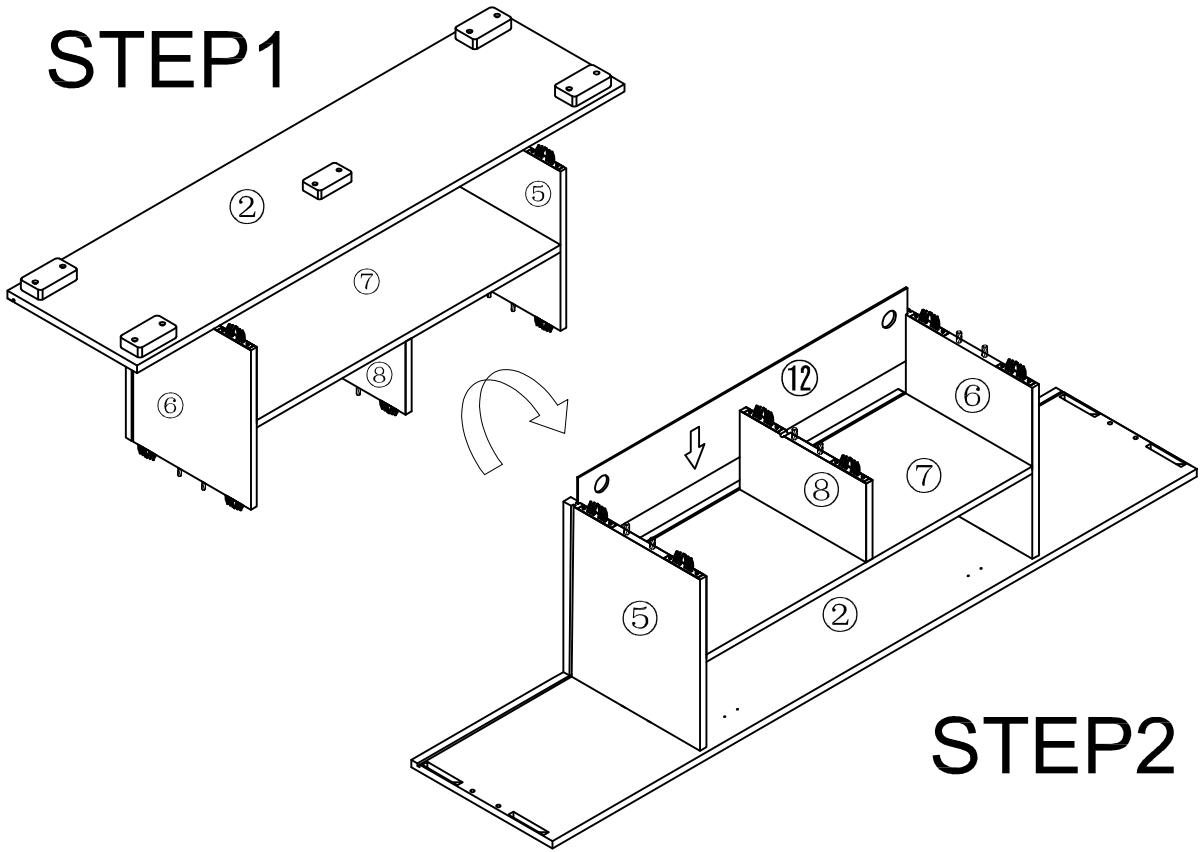
4 STEP 1



STEP 2

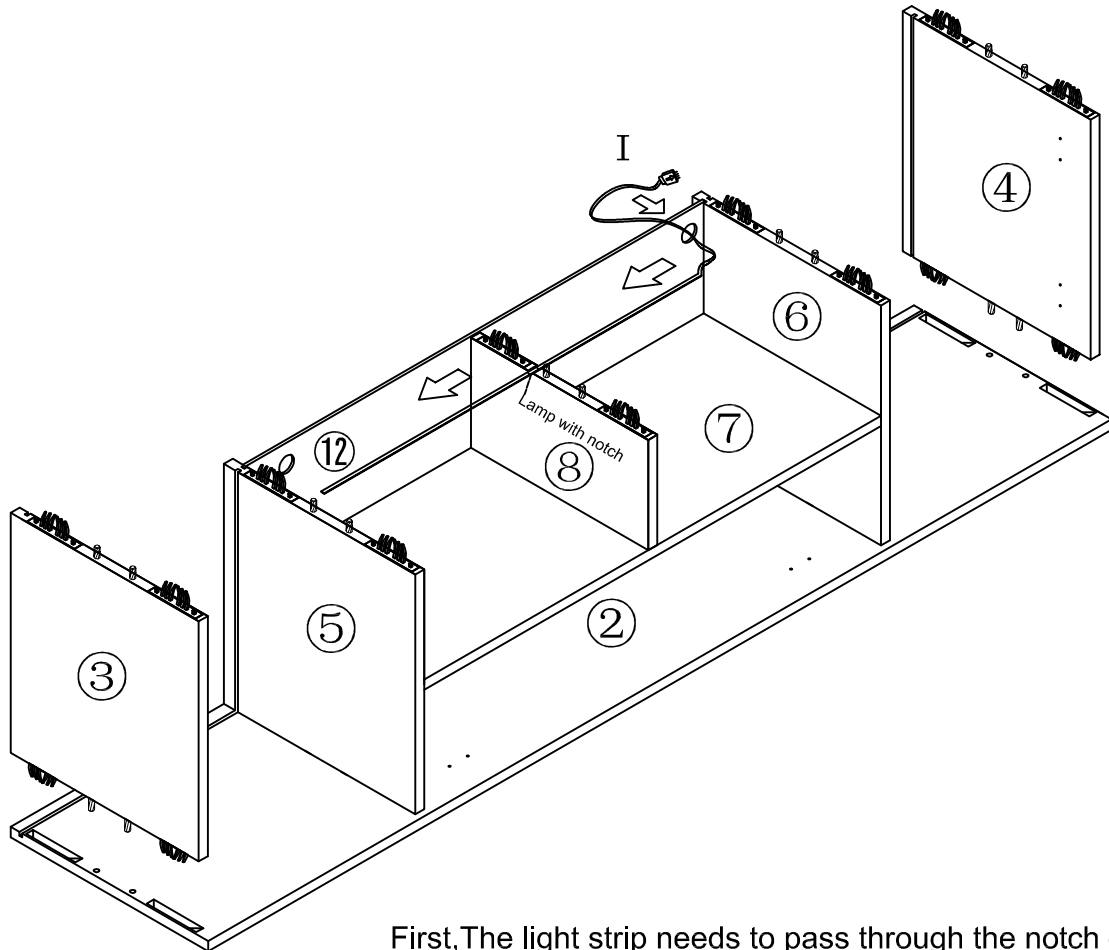
5

# STEP 1



# STEP 2

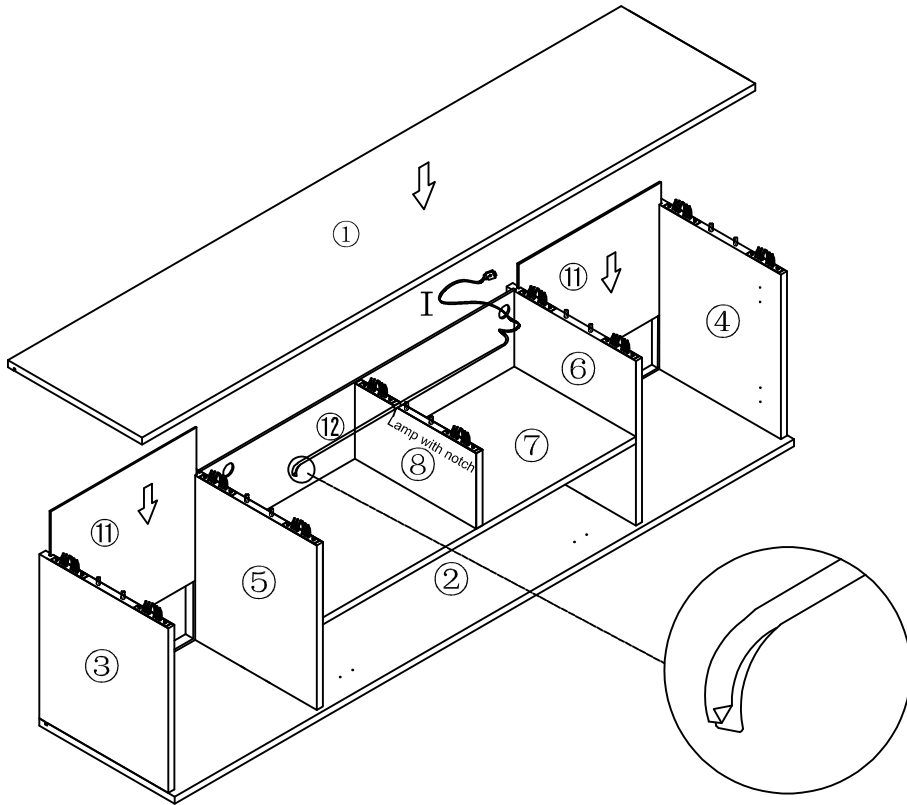
6



First, The light strip needs to pass through the notch of back panel  
Note: the lamp belt must pass through the lamp belt slot when passing through

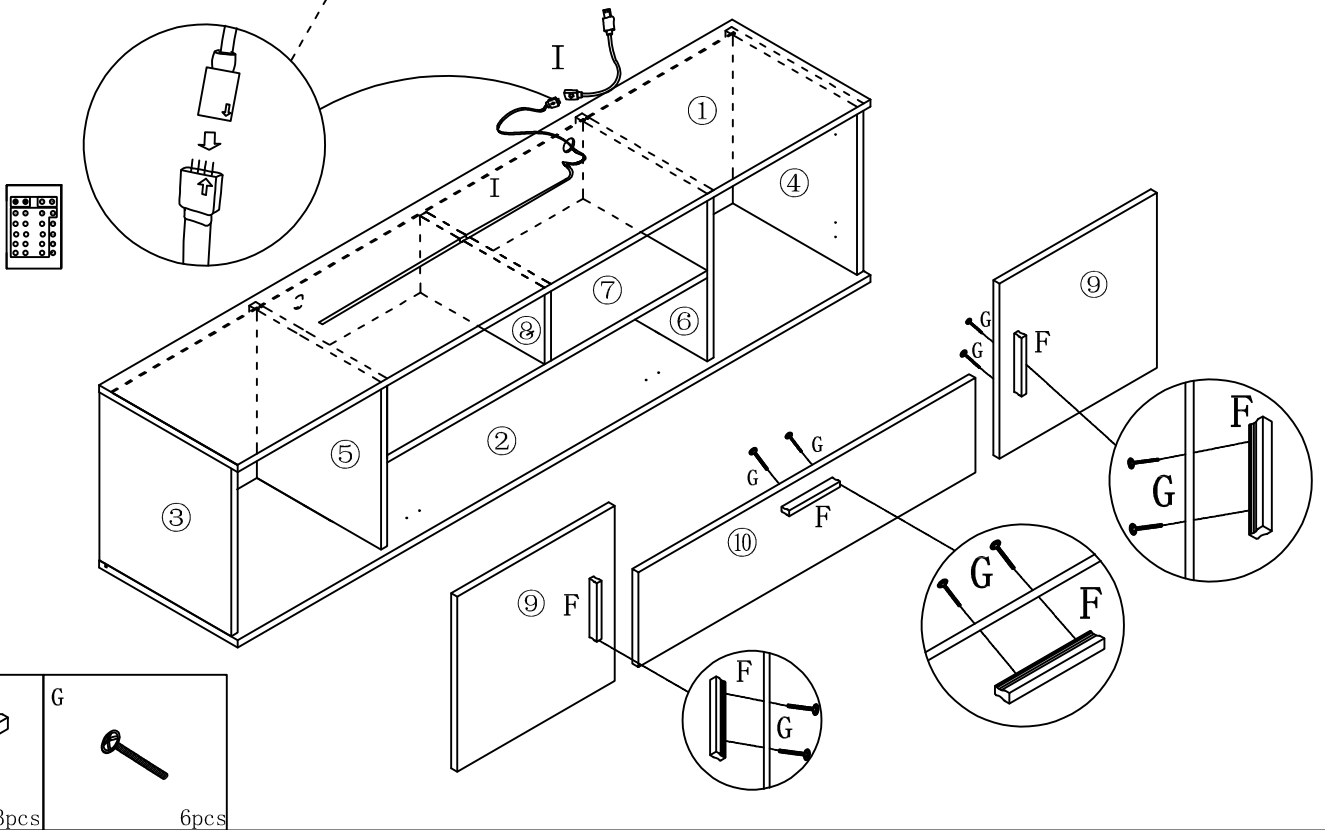
7

Then tear off the back glue belt and fix the lamp belt on the top panel



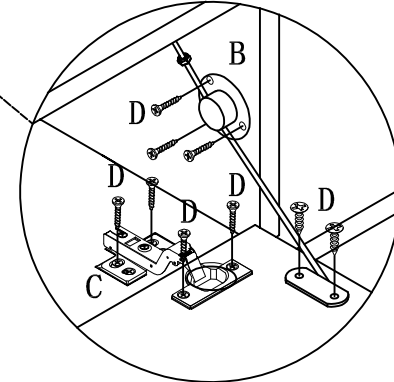
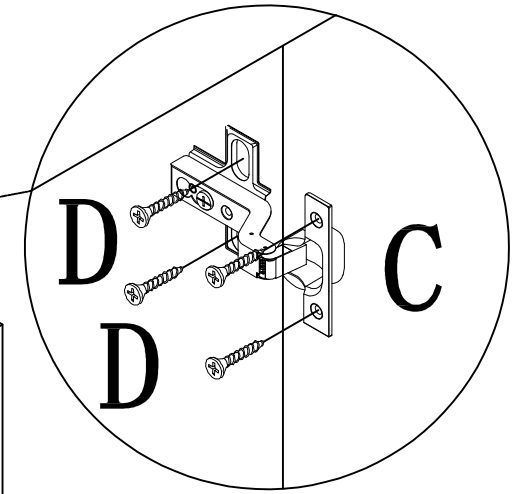
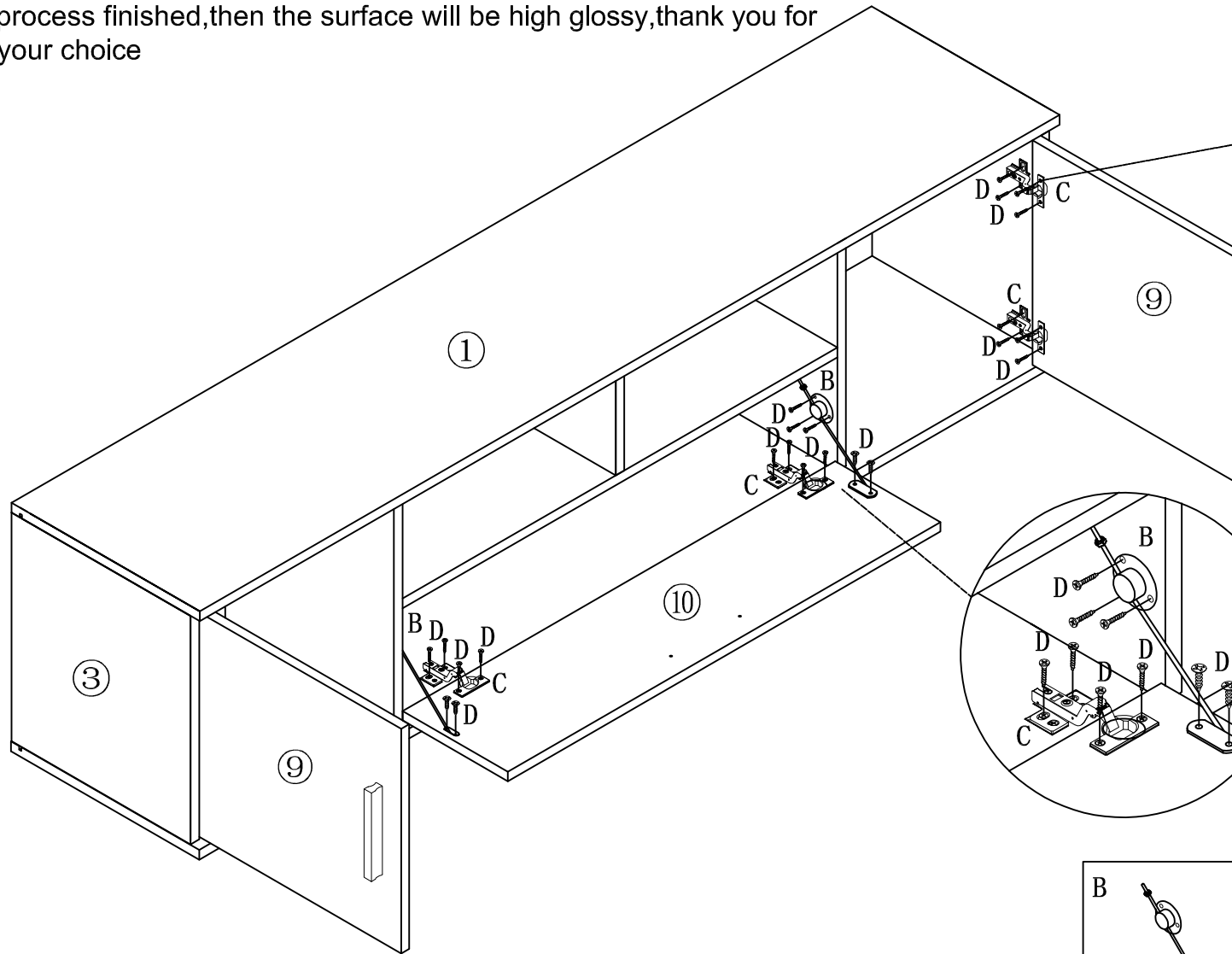
8

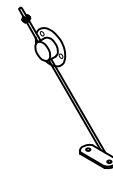
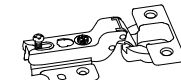

Pay attention to the positive and negative poles



9

Please remove the protective plastic film after the whole assemble process finished, then the surface will be high glossy, thank you for your choice



 2pcs	 6pcs	 Φ 3.5*14 34pcs
---	---	--