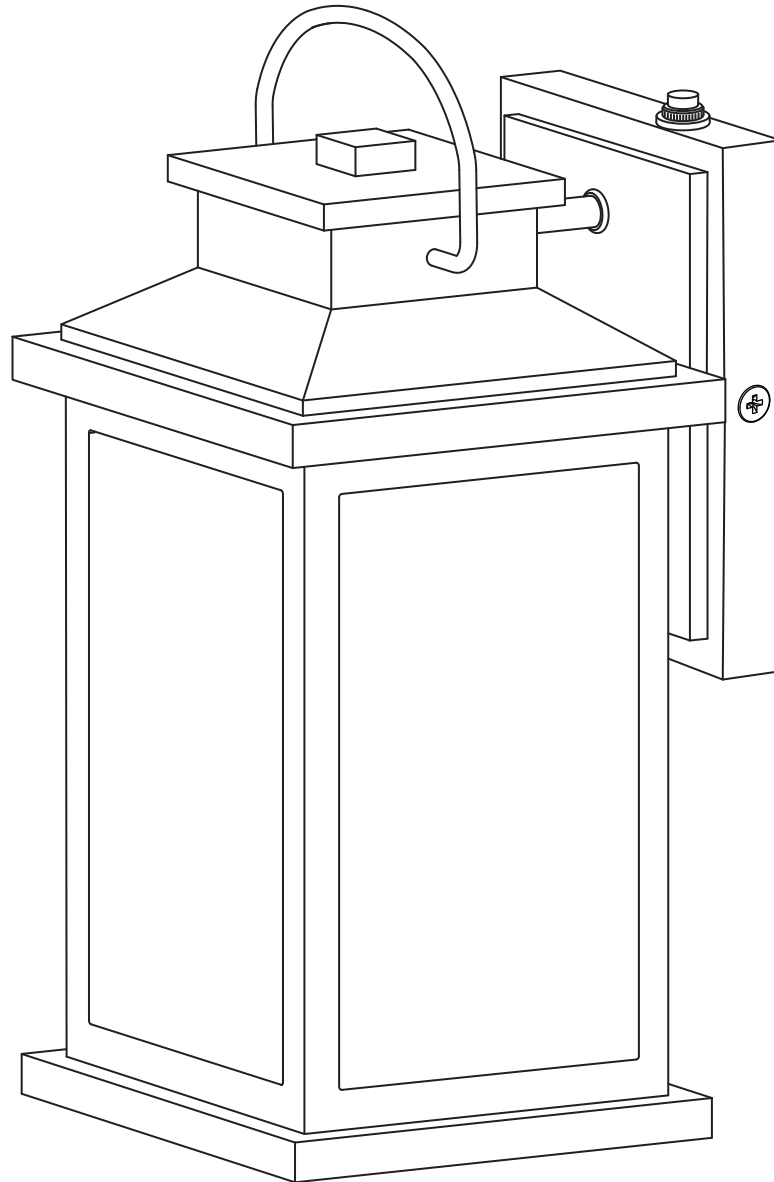


OUTDOOR WALL LANTERN

USE AND CARE GUIDE



Questions, problems, missing parts?

24hr SERVICE EVERYDAY 

Before returning to your retailer, Please kindly contact us,
We will help you with a satisfactory solution in 24 hours.



INSTALLATION INSTRUCTIONS FOR OUTDOOR WALL LIGHT

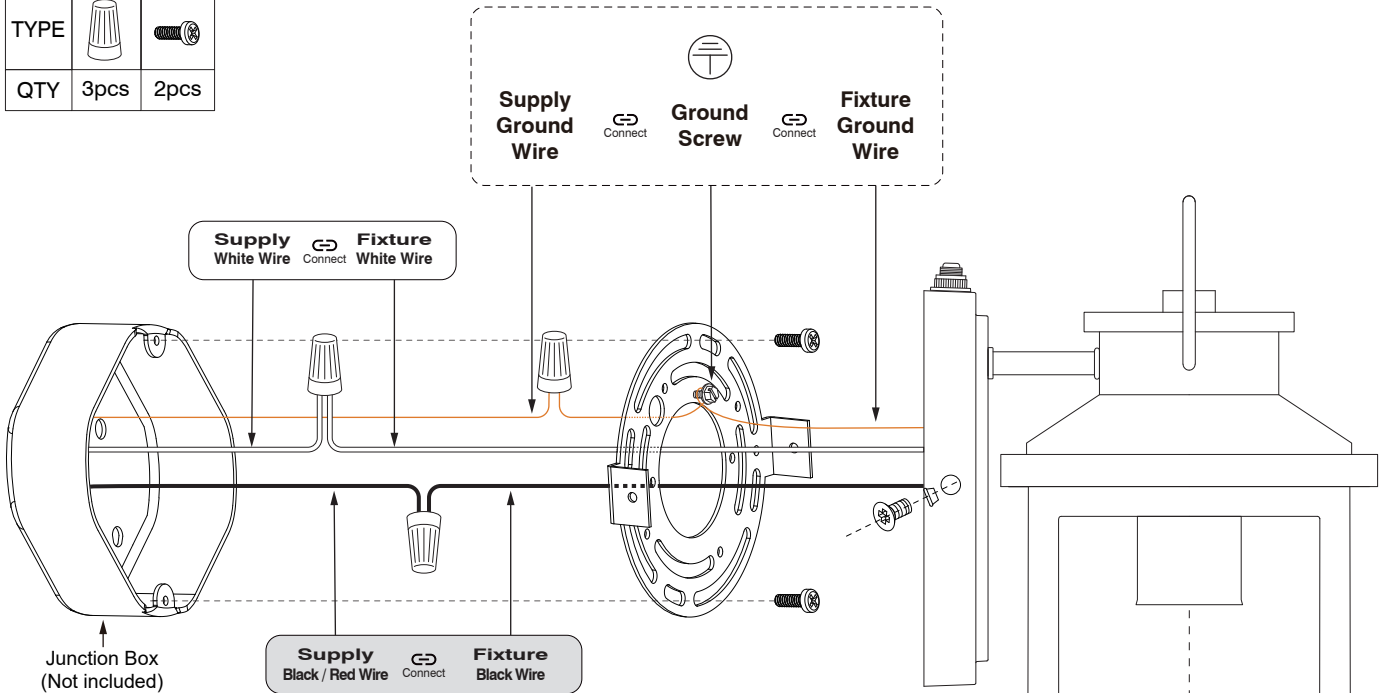


INSTRUCTIONS PERTAINING TO RISK OF FIRE OR INJURY TO PERSONS
READ ALL INSTRUCTIONS

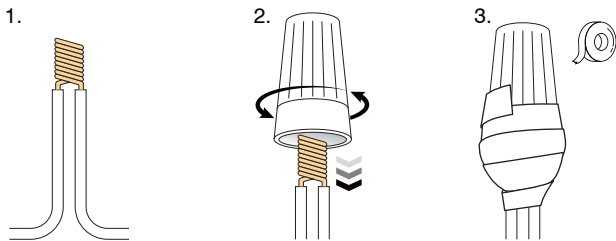
**IMPORTANT SAFETY
INSTRUCTIONS**
SAVE THESE INSTRUCTIONS

Before starting the installation, disconnect the Power by Turning Off the Circuit Breaker. Turning the Power Off using the LightSwitch is not sufficient to prevent electrical shock. All electrical connections and installation must be following local codes, ordinances, and/or National Electric Code and Must Be Done by an Electrician Only.

TYPE		
QTY	3pcs	2pcs



WIRING CAP USE STEPS:



1. Wrap the thread to be connected together.
2. Put on the wiring cap and tighten.
3. Seal with insulating tape. (Insulating tape is not included)



E26 DIMMABLE BULBS

Please use DIMMABLE LED bulbs to be well compatible with the wall lantern and avoid flicker problems. Supports up to 100W power. (Bulbs not included)

ASSEMBLY INSTRUCTIONS

TOOLS AND MATERIALS REQUIRED:



Phillips
Screwdriver



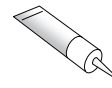
Wire Cutters



Safety Gloves



Ladder



Mastic Silicone
Rubber



Safety Glasses

INSTALLATION: Note: the product may not look exactly as shown in the figures.

<p>1</p>	<p>Remove the Mounting Bracket from the Fixture and attach it to the Junction Box with 2 screws. (Note: Raised side facing out and placed horizontally)</p>	<p>4</p>	<p>Install the other accessories (if any), then secure the fixture to the mounting bracket with 2 screws</p>
<p>2</p>	<p>Connect the white wire of the fixture to the white wire of the power supply. Connect the black wire of the fixture to the black wire of the power supply (or to the red wire of the power supply). Fix the ground wire with ground screw and then connect it to the power supply ground wire (See page 1 for detailed illustrations)</p>	<p>5</p>	<p>Install the proper bulb type and wattage (not included). Note: Please use dimmable led bulbs or incandescent bulbs to be compatible with wall lights and avoid flicker problems. Very few models of dimming bulbs may have compatibility issues. If flickering occurs, please consider replacing dimming bulbs of other brands.</p>
<p>3</p>	<p>Once connections of wires are completed, carefully tuck wires and wire nuts into the electrical box making sure no bare wire (on the black and white) is visible at the wire nuts.</p>	<p>6</p>	<p>After installation, use weatherproof caulk (not included) to seal the gap between the lamp and the wall, as well as the gap at the screw, and the bottom should not be filled to prevent moisture accumulation. The bottom should be left un-caulked to prevent moisture build-up.</p>

3 YEAR LIMITED WARRANTY*

This warranted against defects in material and quality for 3 year from the purchase date. This warranty does not cover acts of nature such as lighting damage or corrosion and discoloration of components. Nor does it cover damages caused through abuse, improper installation, surges in electric current, or acts of third parties.

This warranty does not cover the costs of removing and resealing the lighting fixture.

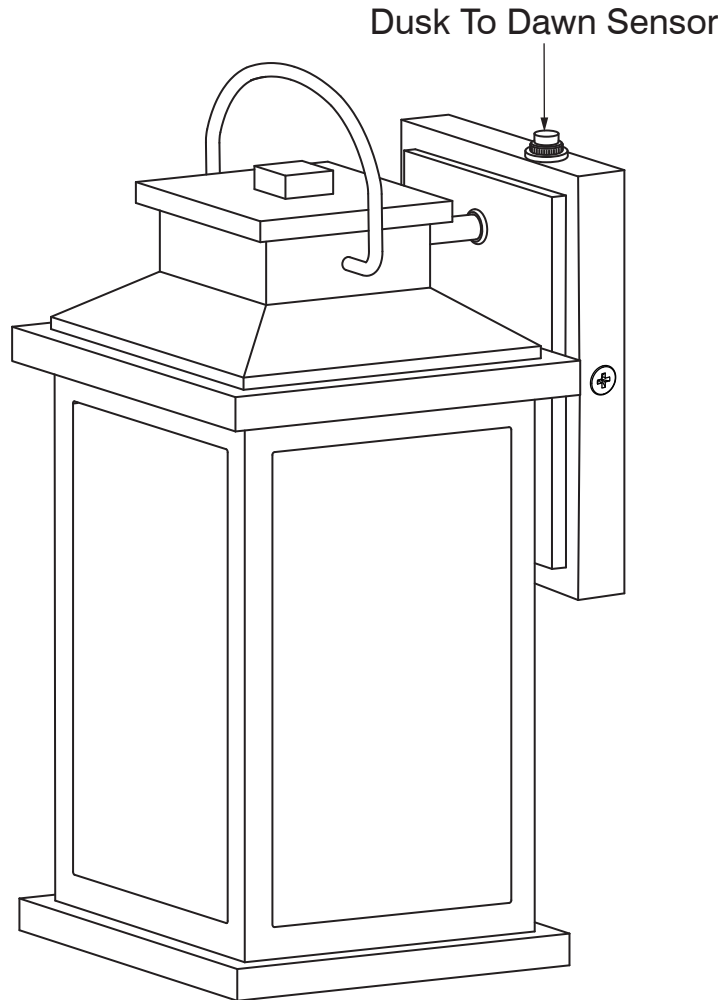
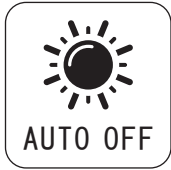
If this product falls for any reason covered by this warranty, feel free to contact us.

Questions, problems, missing parts?

24hr SERVICE EVERYDAY

Before returning to your retailer, Please kindly contact us ,We will help you with a satisfactory solution in 24 hours.

DUSK TO DAWN SENSOR



PRODUCT DETAILS

Dusk To Dawn Sensor

The sensor can turn on and off the lamp according to the ambient light. When the light is dark, such as at night (5-60 natural light), the lamp will automatically turn on, and when the surrounding environment is bright, such as after dawn, the lamp will automatically turn off.

So you don't have to manually turn on or off the lights, you can keep the switch always on, and automatically turn on and off every day, saving your electricity bills.

If you want to disable this feature, cover the sensor with dark tape.

Specification

Glass Type:	Tempered Glass
Housing Material:	Aluminum
Power Source	Hard-wired
Voltage:	120VAC 60Hz
Maximum Wattage:	100W
Bulb Base:	E26
Water Resistance :	Wet Location