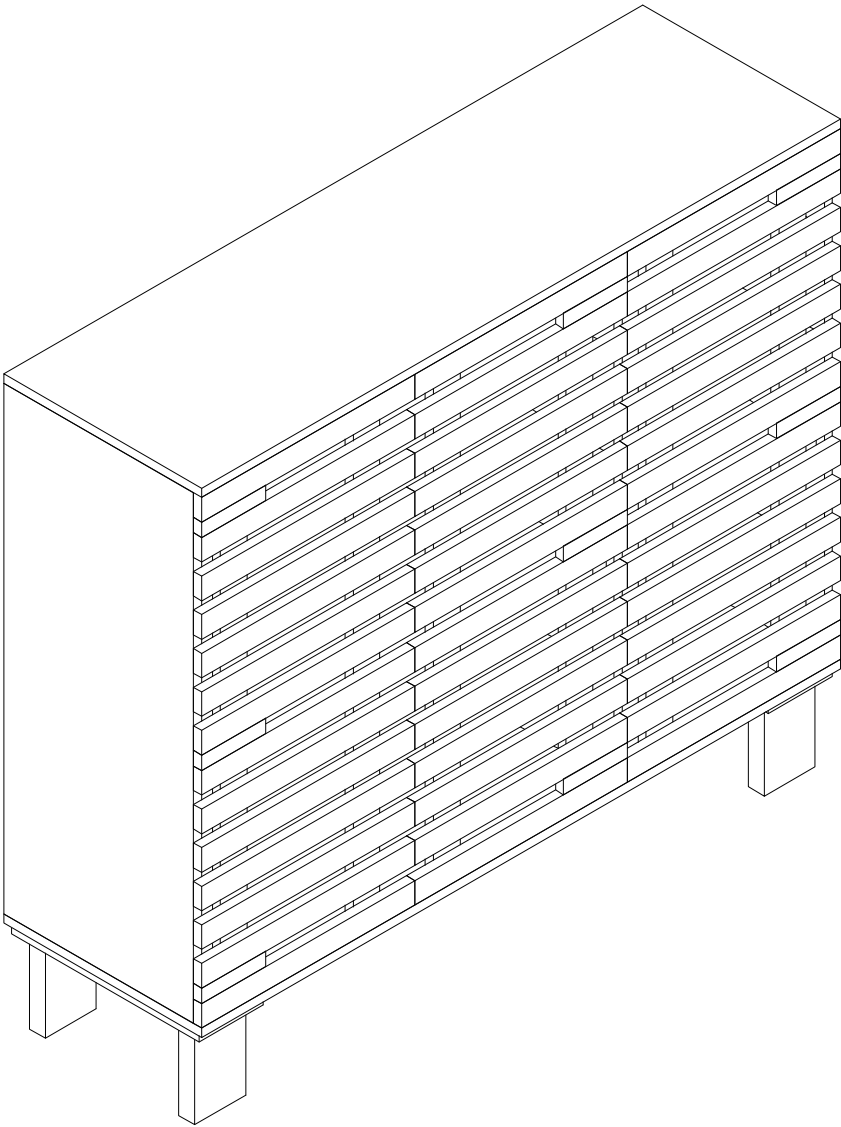


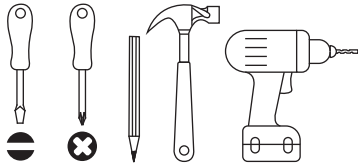
INSTALLATION MANUAL



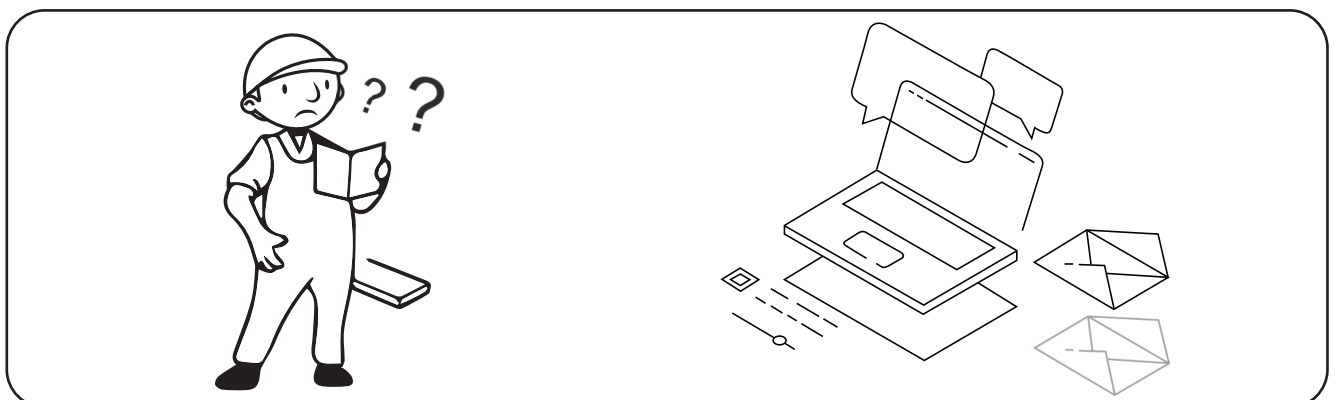
Install your new product with care, following the instructions step-by-step. Do not skip any steps. Care fully distinguish between left and right components. Do not over-tighten screws or use power tools, as this may damage the product.

Tools You May Need

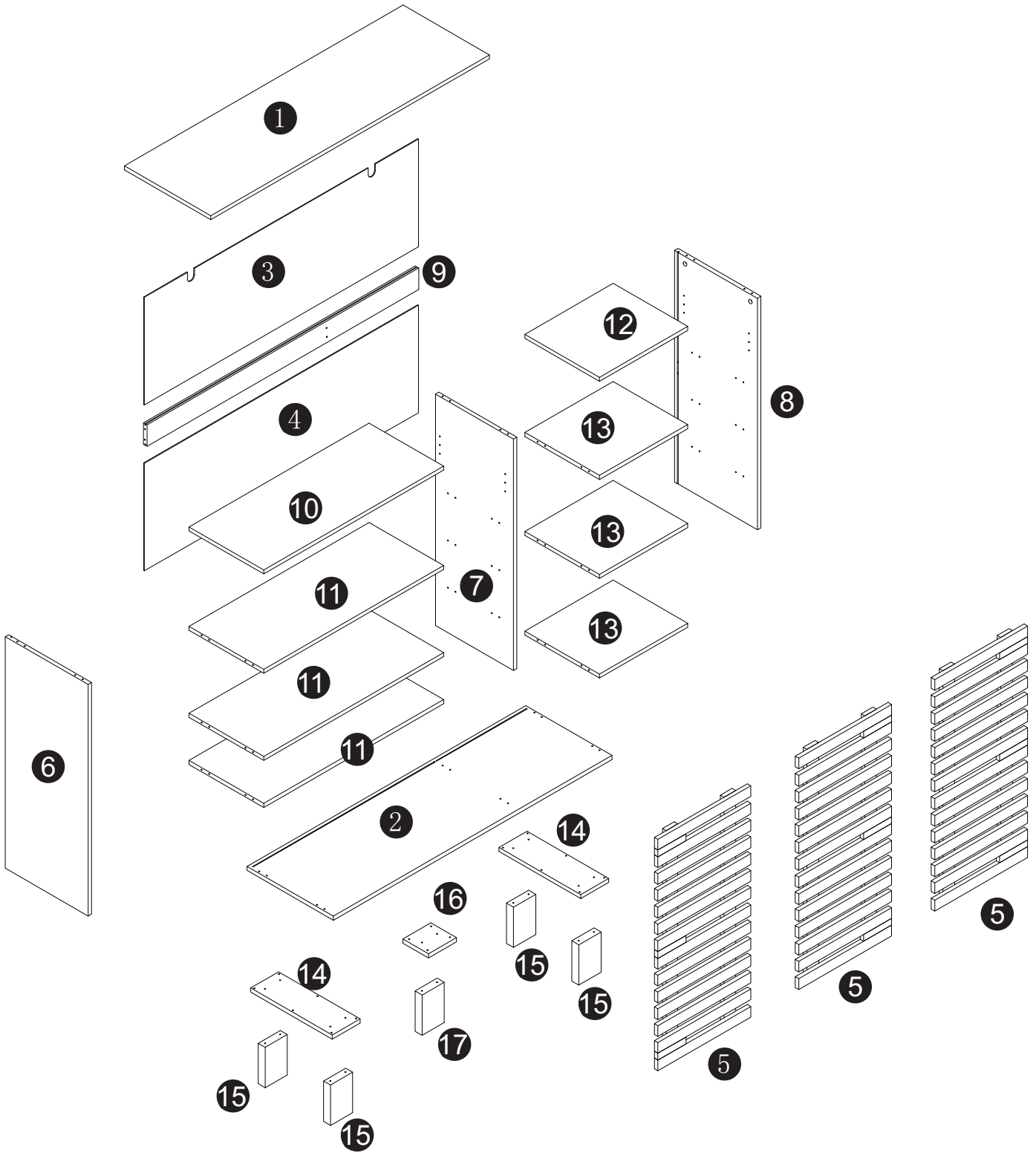
*You might need a screwdriver (+/-) to complete this assembly.



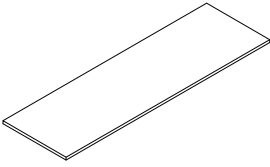
Box	People	Time	
			
x1	x2	2 hours	



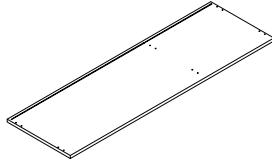
Exploded Views



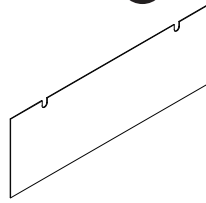
1x 1



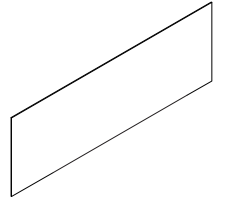
1x 2



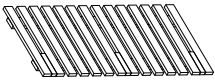
1x 3



1x 4



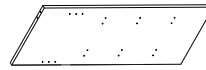
3x 5



1x 6



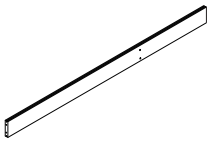
1x 7



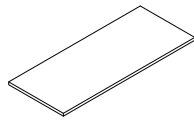
1x 8



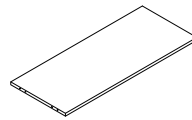
1x 9



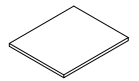
1x 10



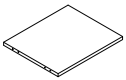
3x 11



1x 12



3x 13



2x 14



4x 15

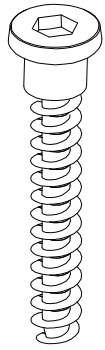


1x 16



1x 17



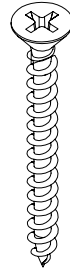


Ax10
(+1)



Bx34
(+4)

M6x35



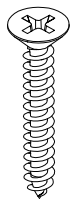
Cx10
(+1)

M4x35



Dx36
(+4)

M6x30



Ex16
(+2)

M4x25



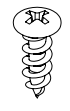
Fx54
(+6)

M4x14



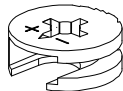
Gx12
(+2)

M3x14

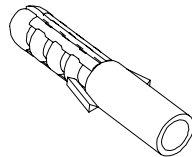


Hx2

M4x12



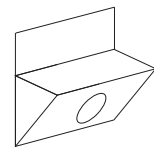
Ix34
(+4)



Jx2

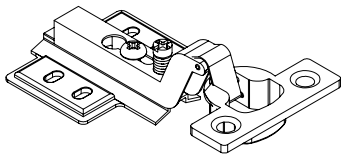


Kx8
(+1)

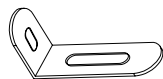


Lx8
(+1)

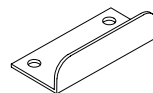
Scale 1 : 1



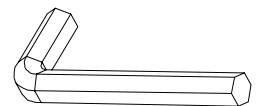
Mx9



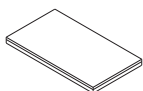
Nx2



Ox2



Px1

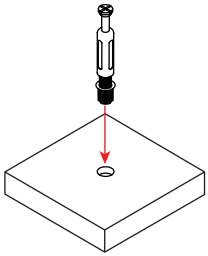


Qx4

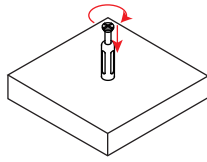


Rx1

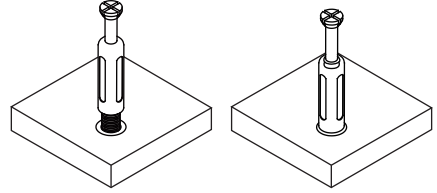
NOTED:



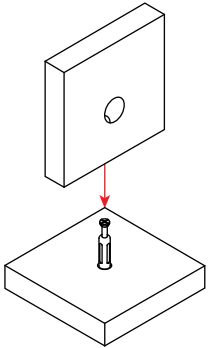
1. Install the screw rod



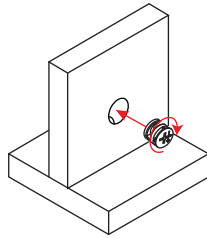
2. Tighten the screw rod clockwise



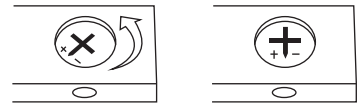
3. Pay attention to tightening the screw rod



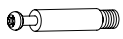
4. Installation plate



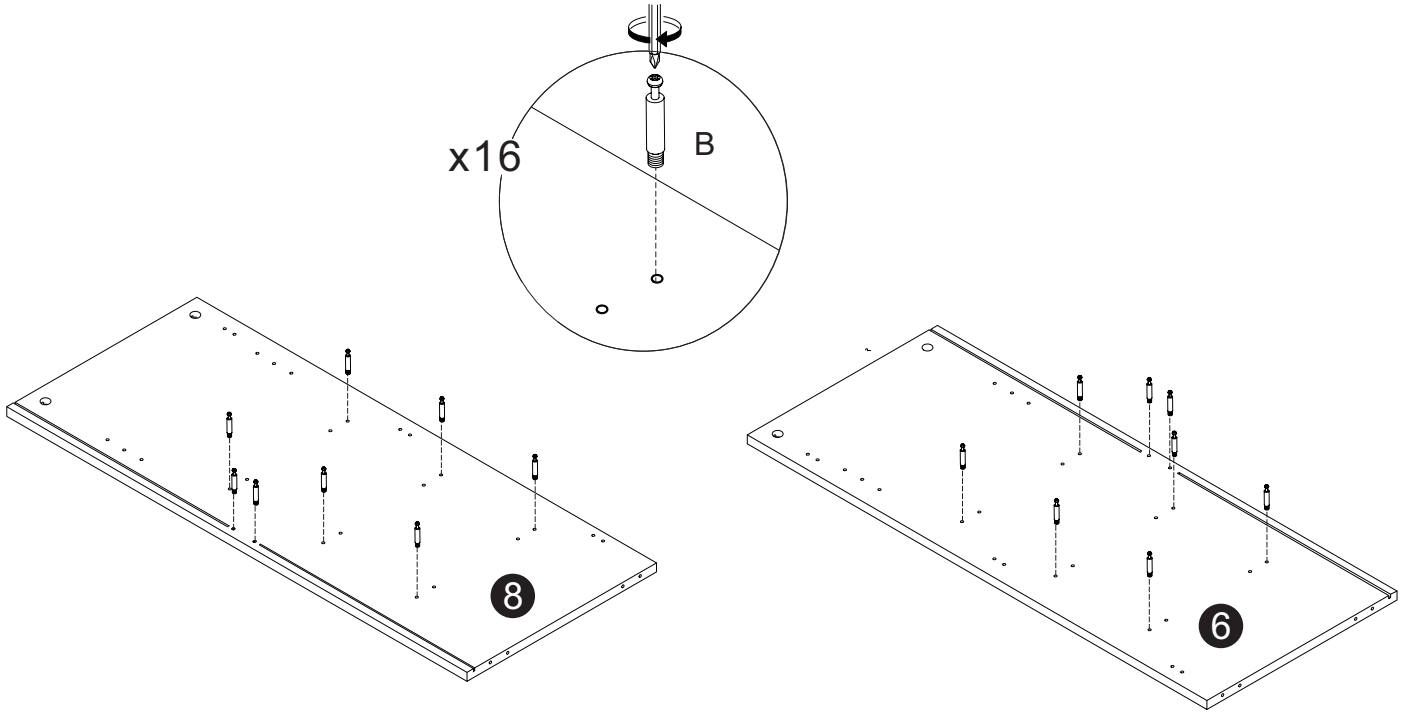
5. Align the arrow of the eccentric component with the screw rod

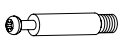


6. Pay attention to aligning the arrow of the eccentric part with the screw rod

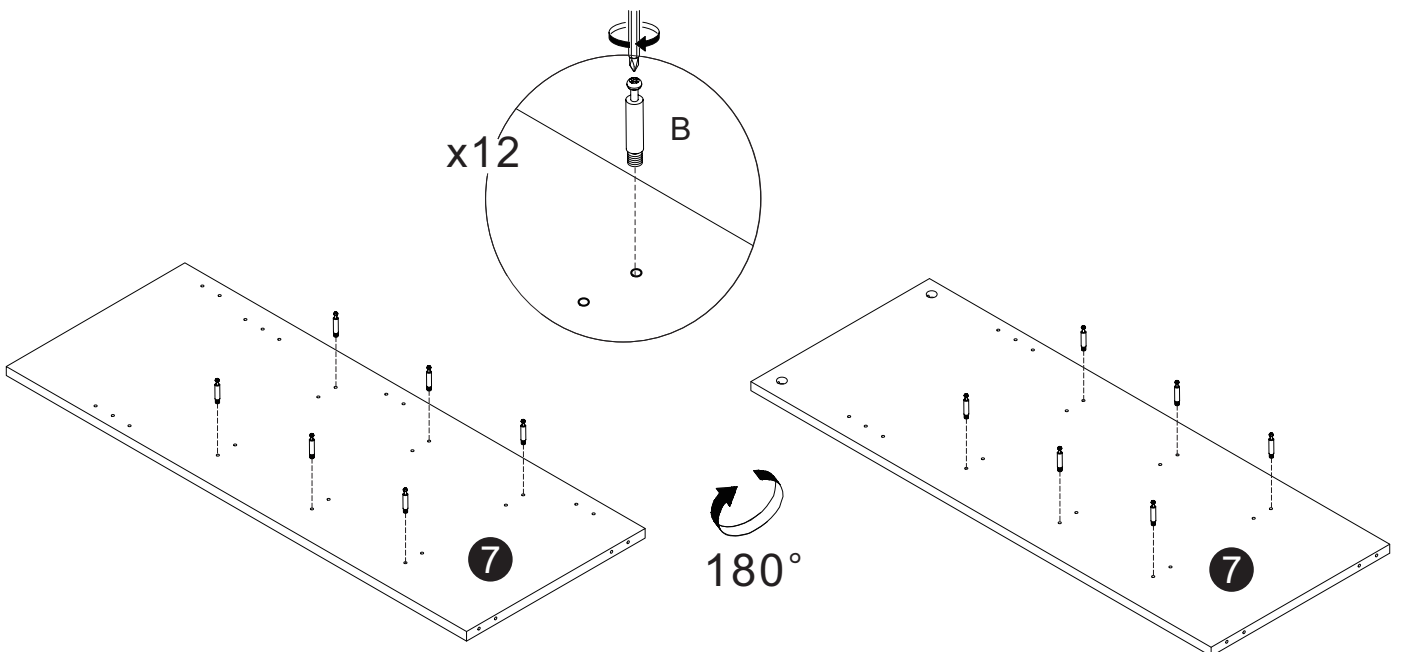
B		16
---	---	----

1



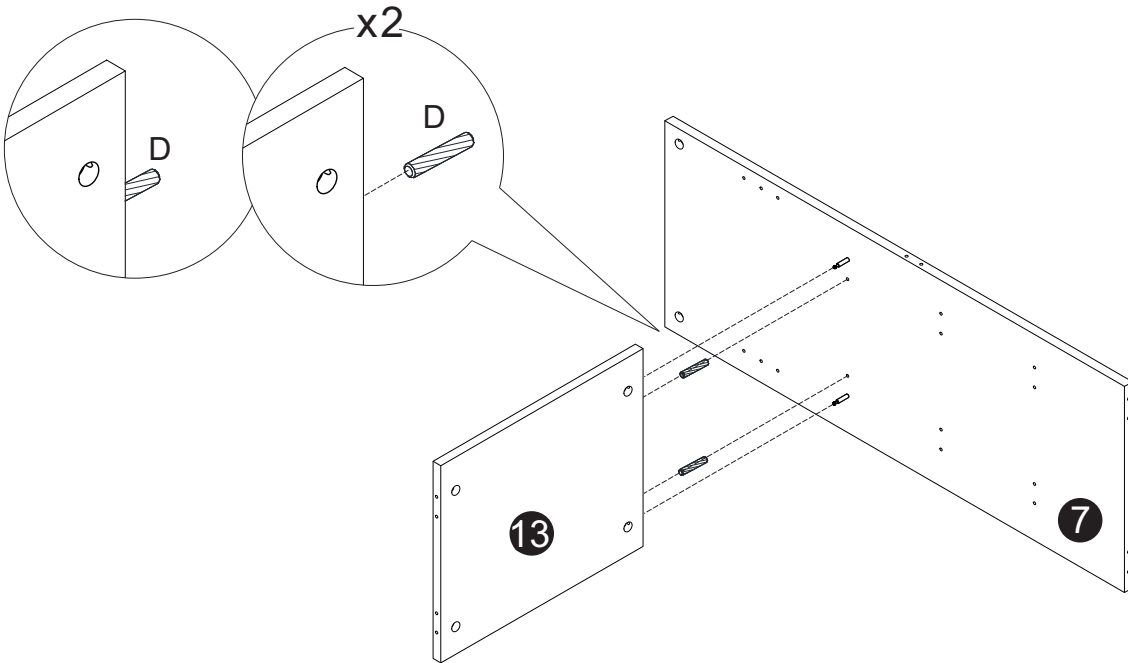
B		12
---	---	----

2



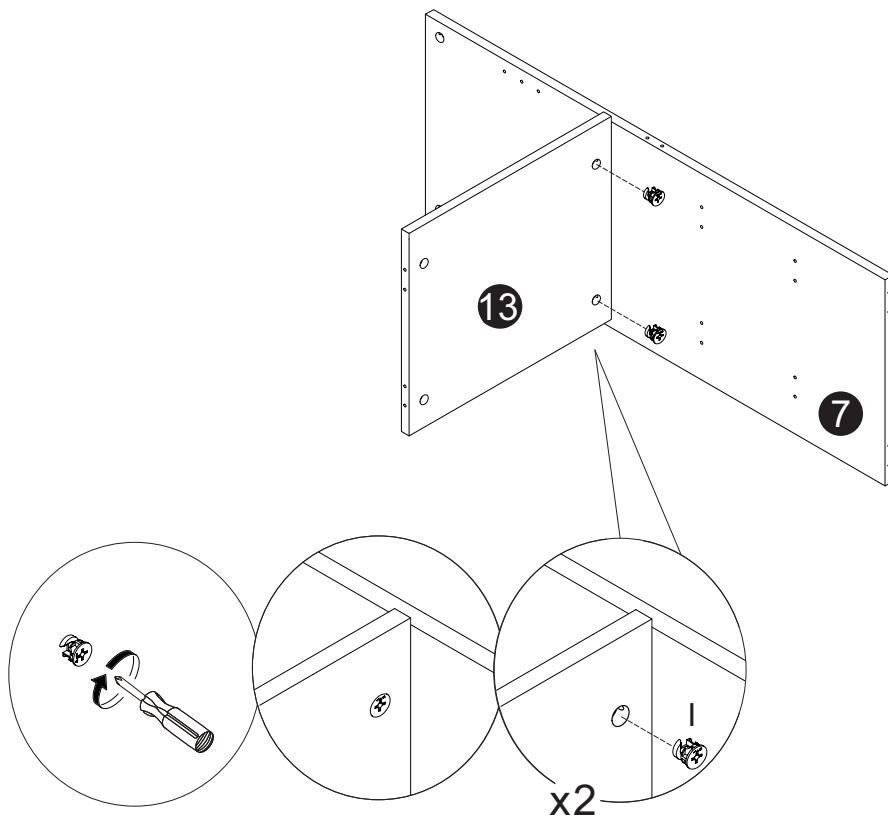
D		2
---	---	---

3



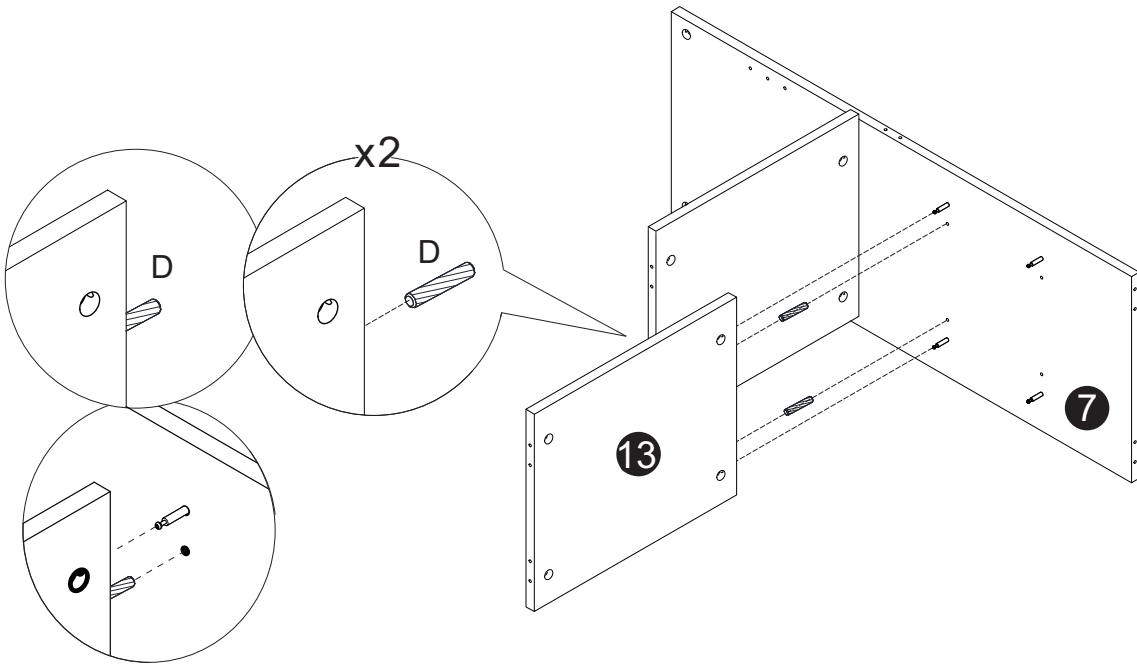
I		2
---	---	---

4



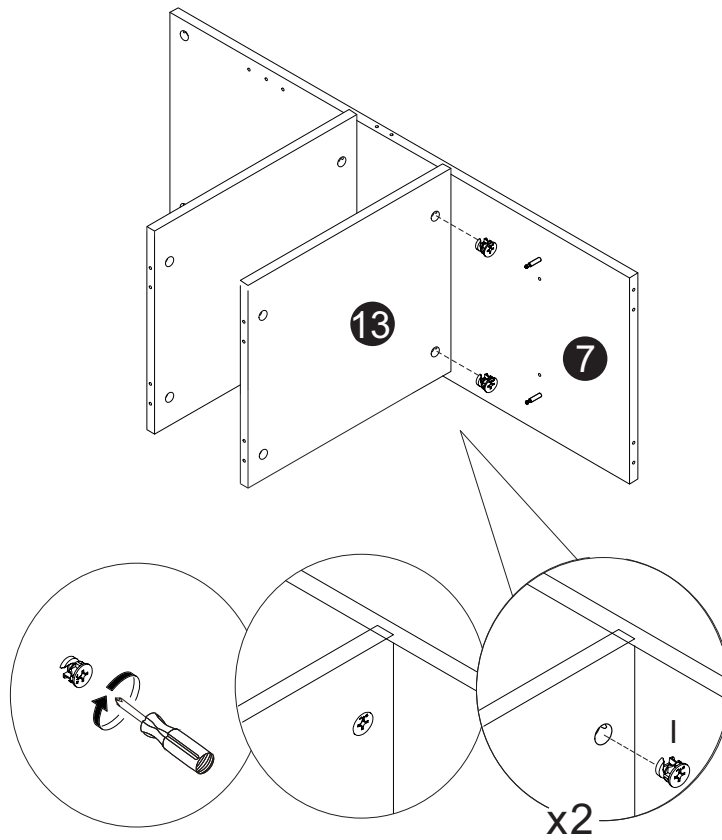
D		2
---	---	---

5



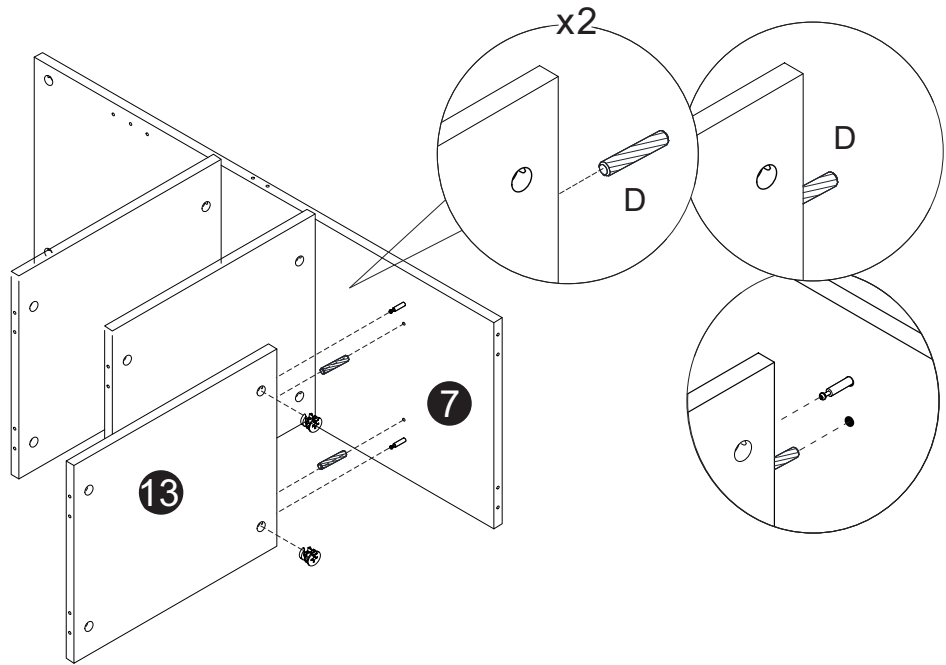
I		2
---	---	---

6



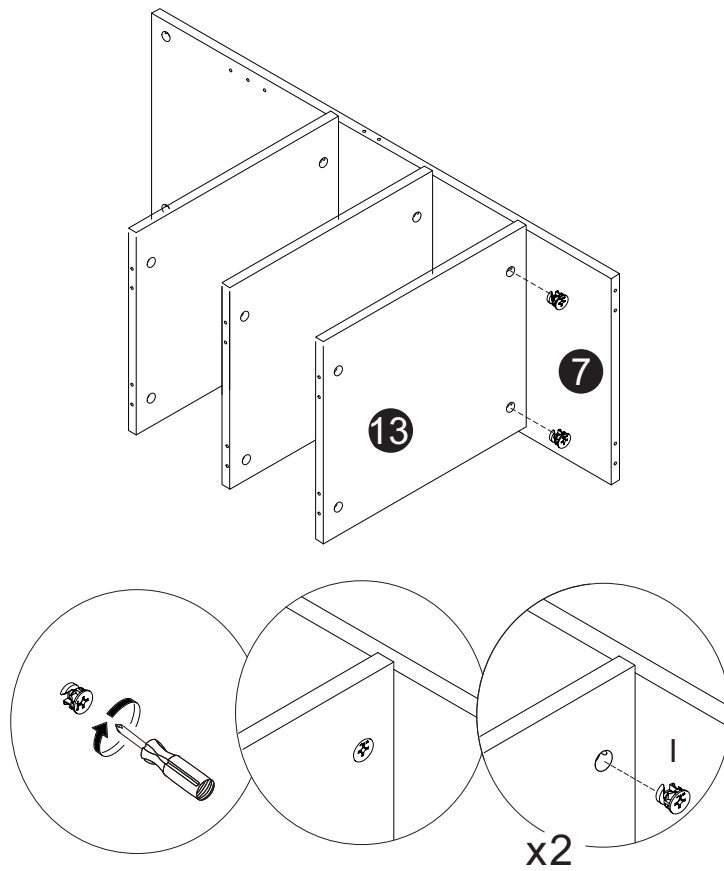
D		2
---	---	---

7



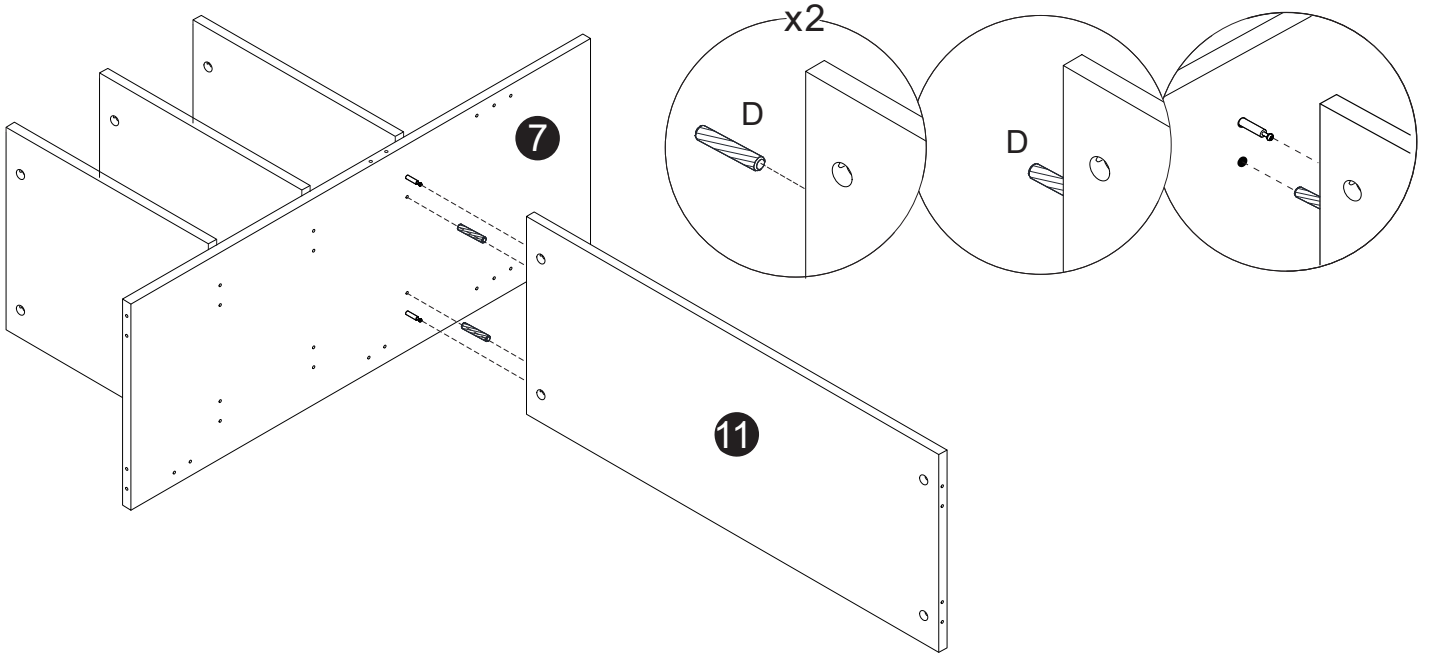
I		2
---	---	---

8



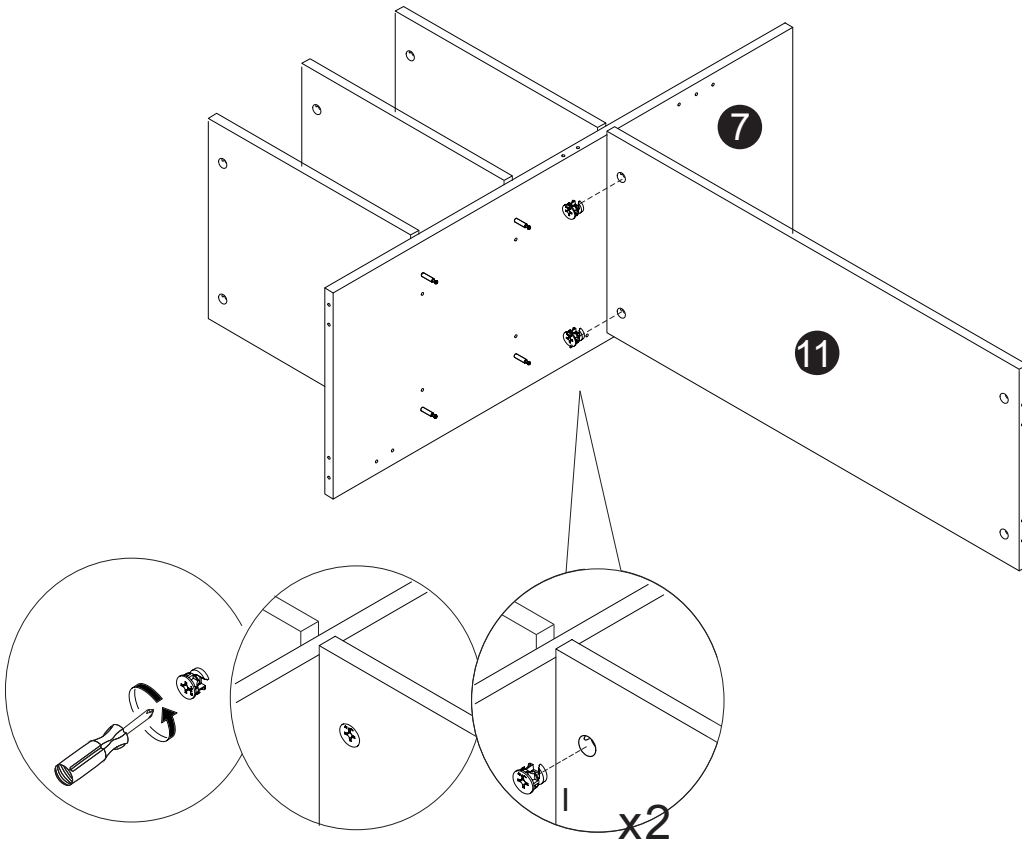
D		2
---	---	---

9



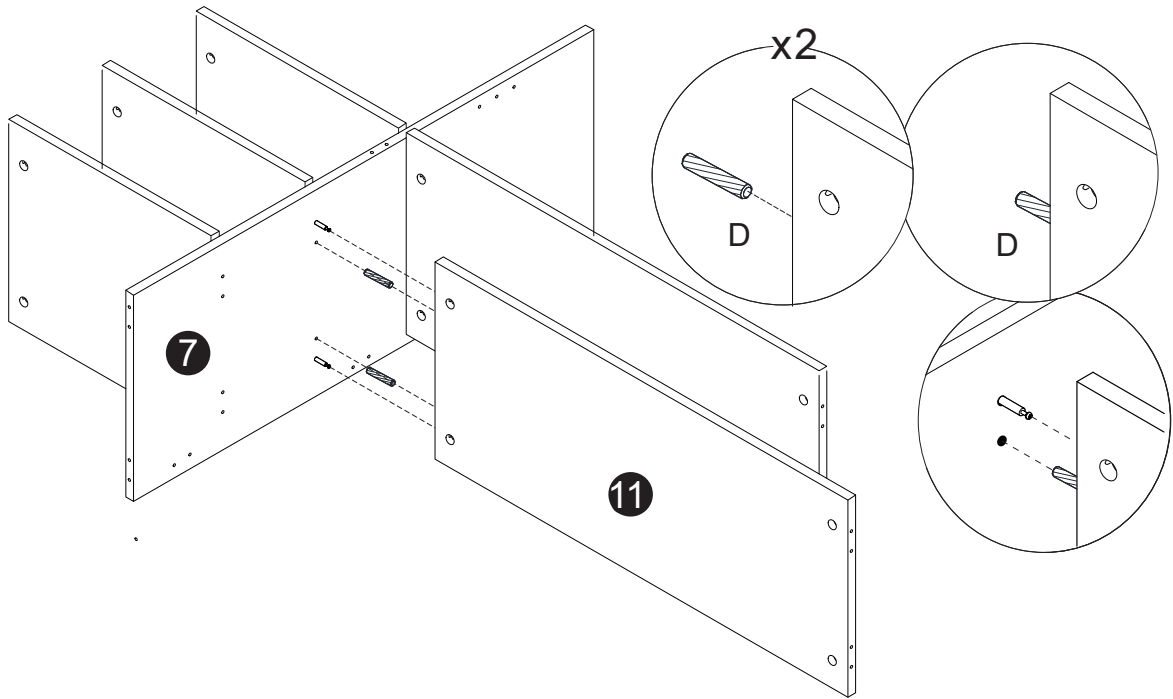
I		2
---	---	---

10



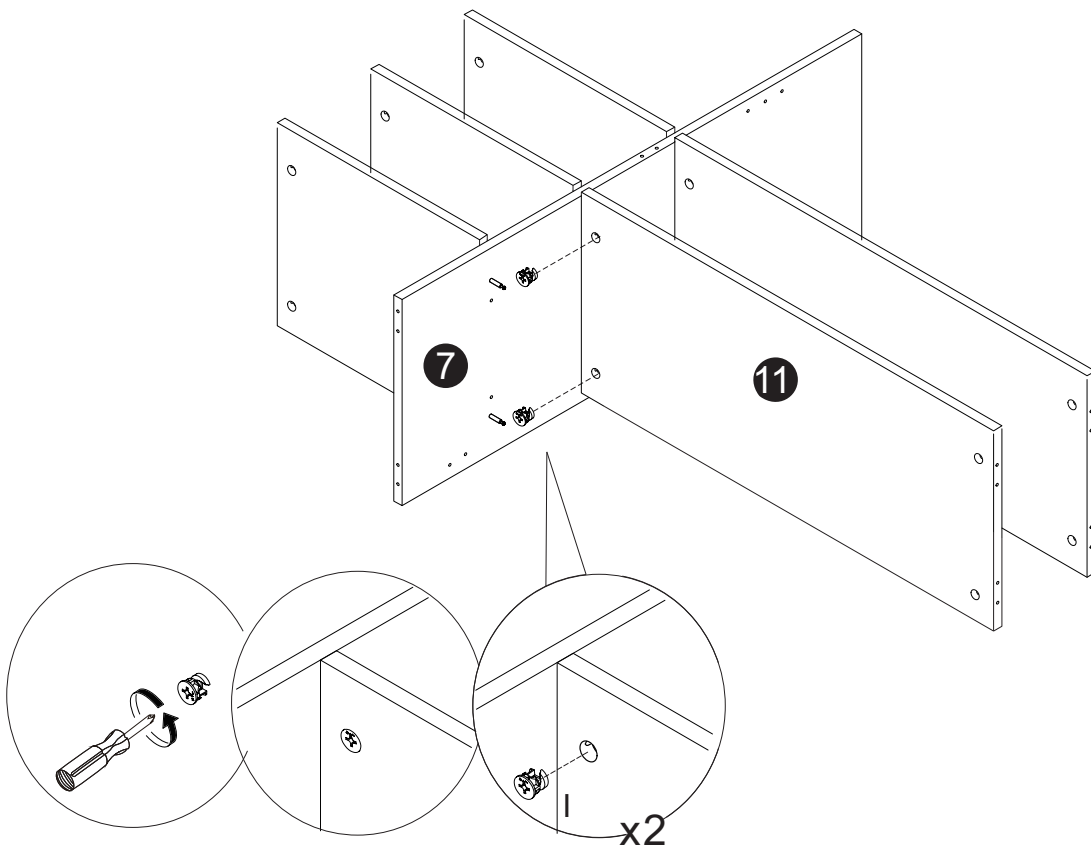
D		2
---	---	---

11



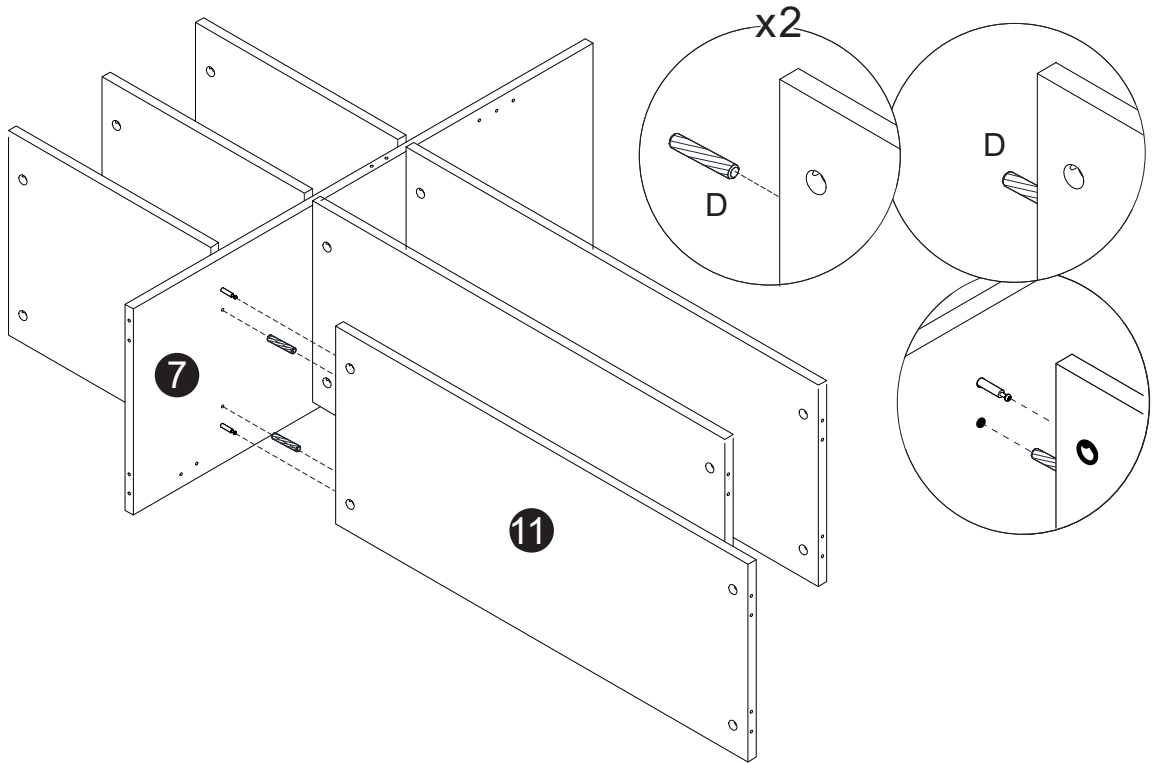
I		2
---	---	---

12



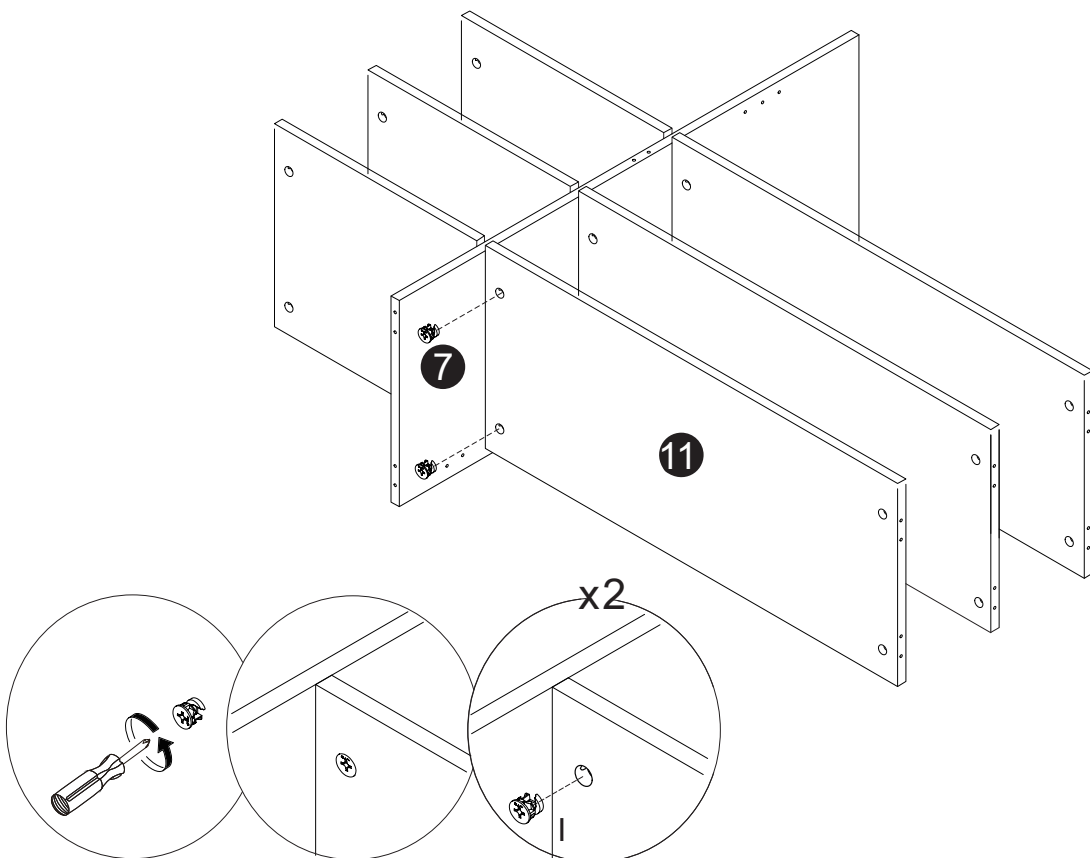
D		2
---	---	---

13



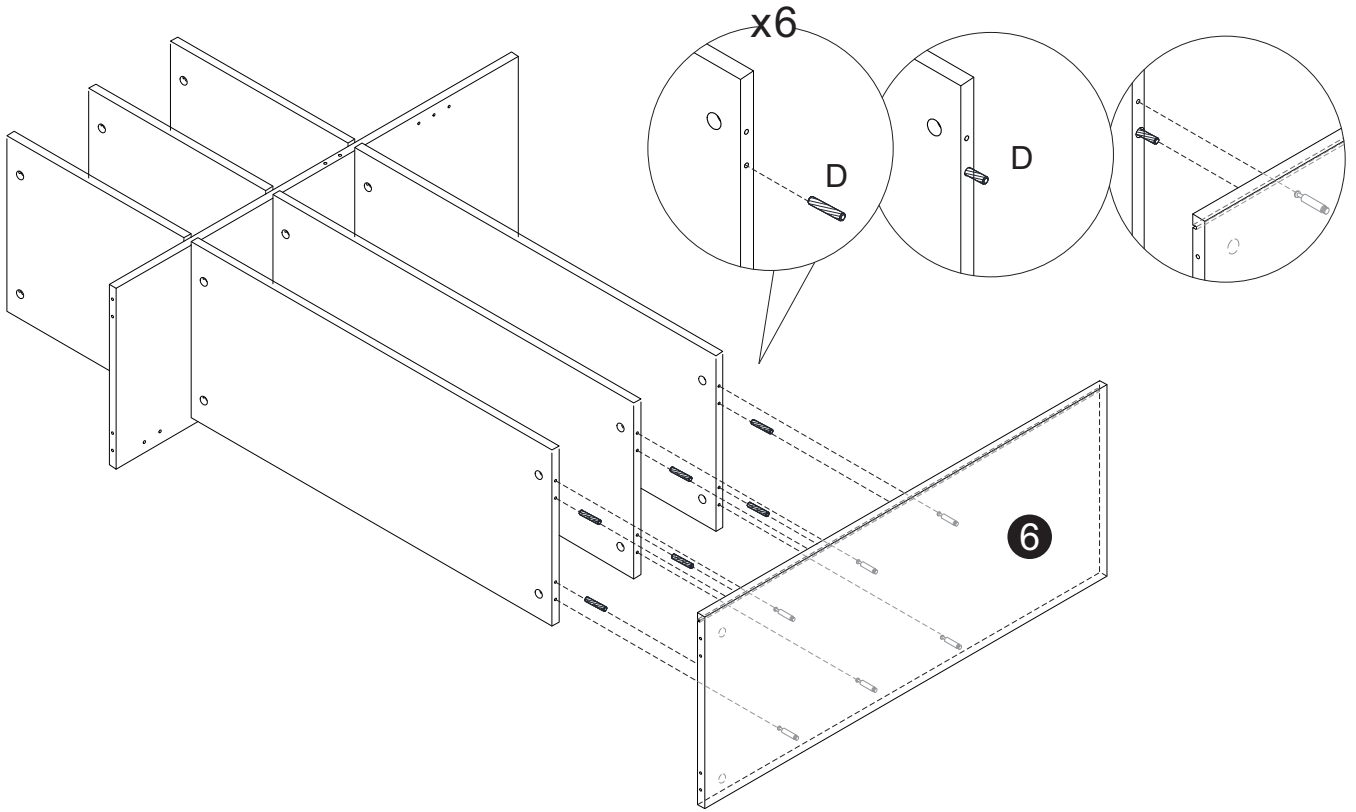
I		2
---	---	---

14



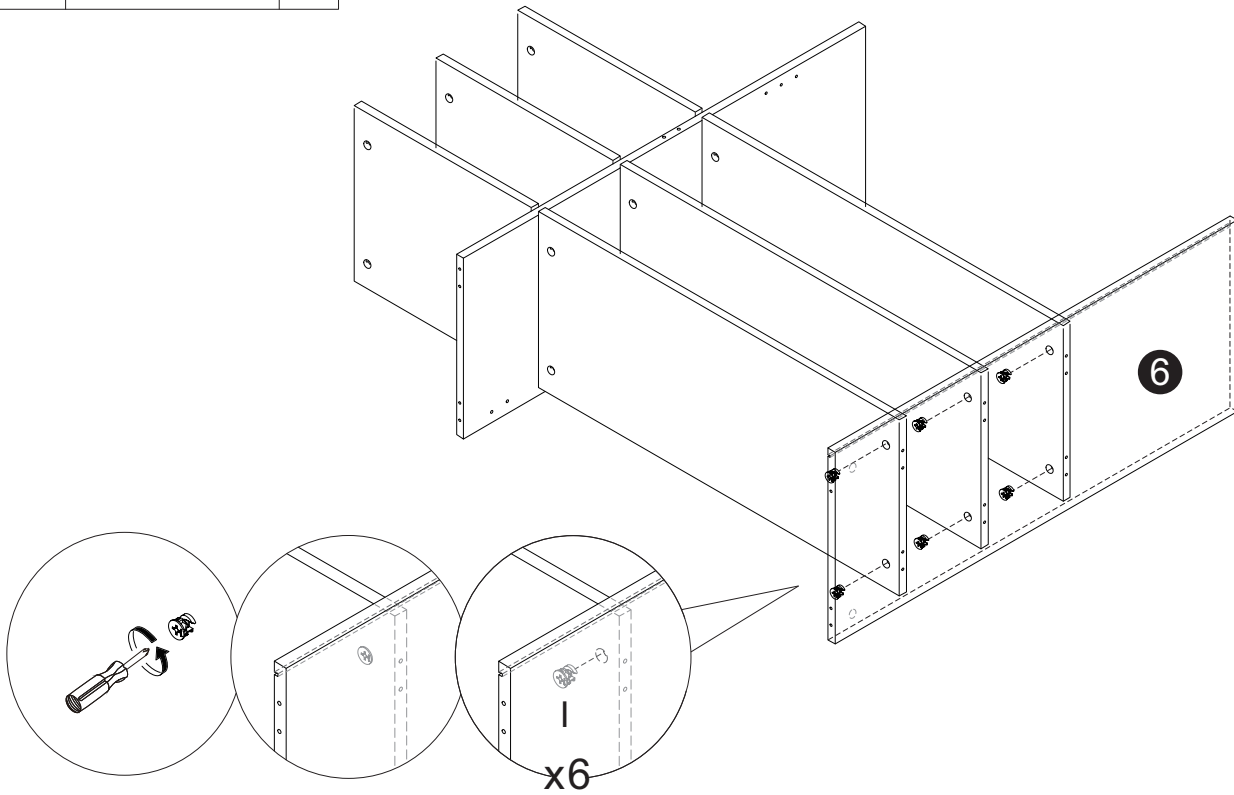
D		6
---	---	---

15



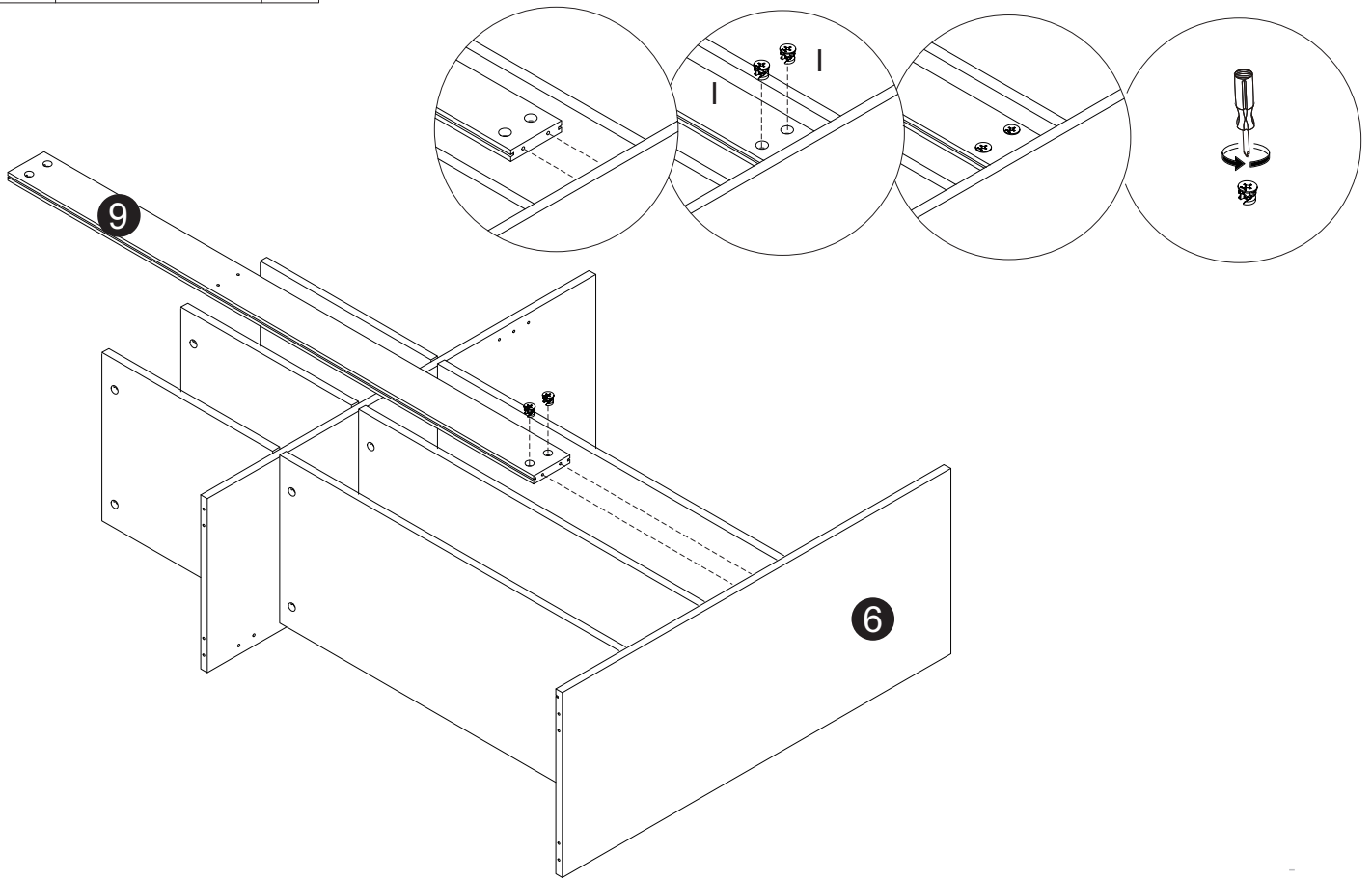
I		6
---	---	---

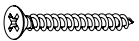
16



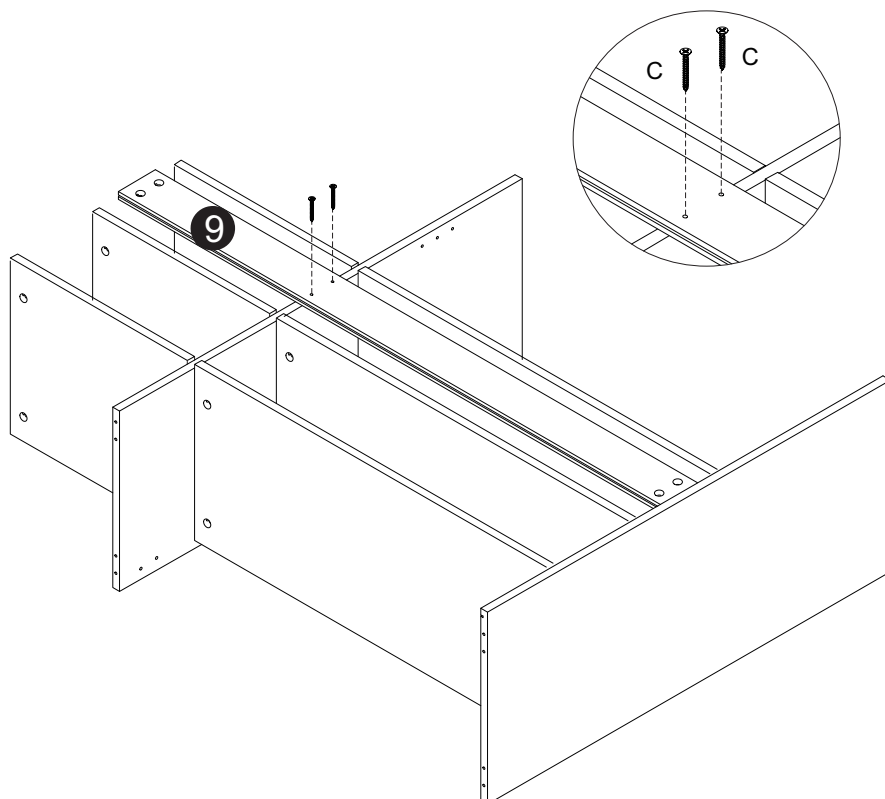
I		2
---	---	---

17



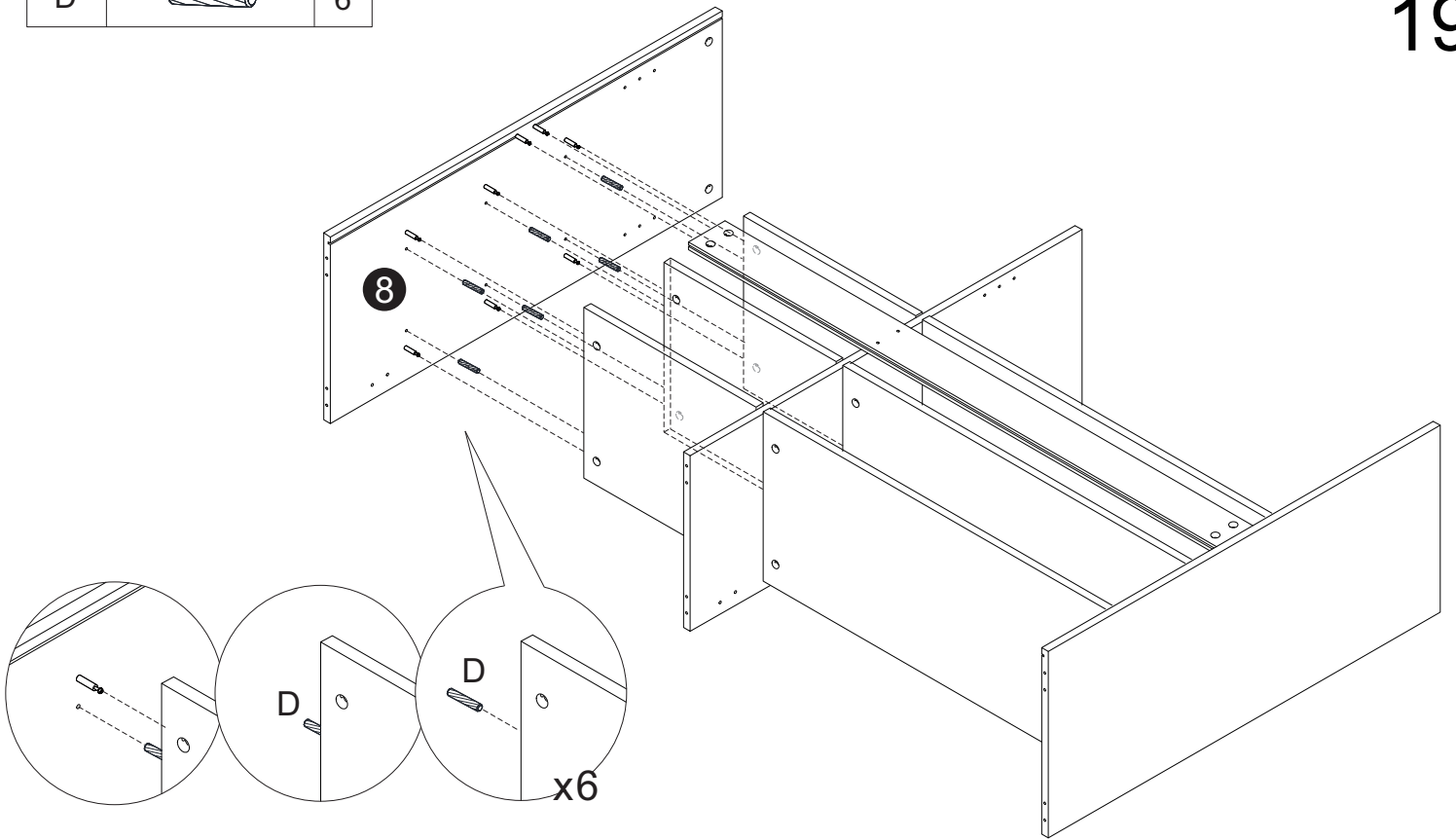
C		2
---	---	---

18



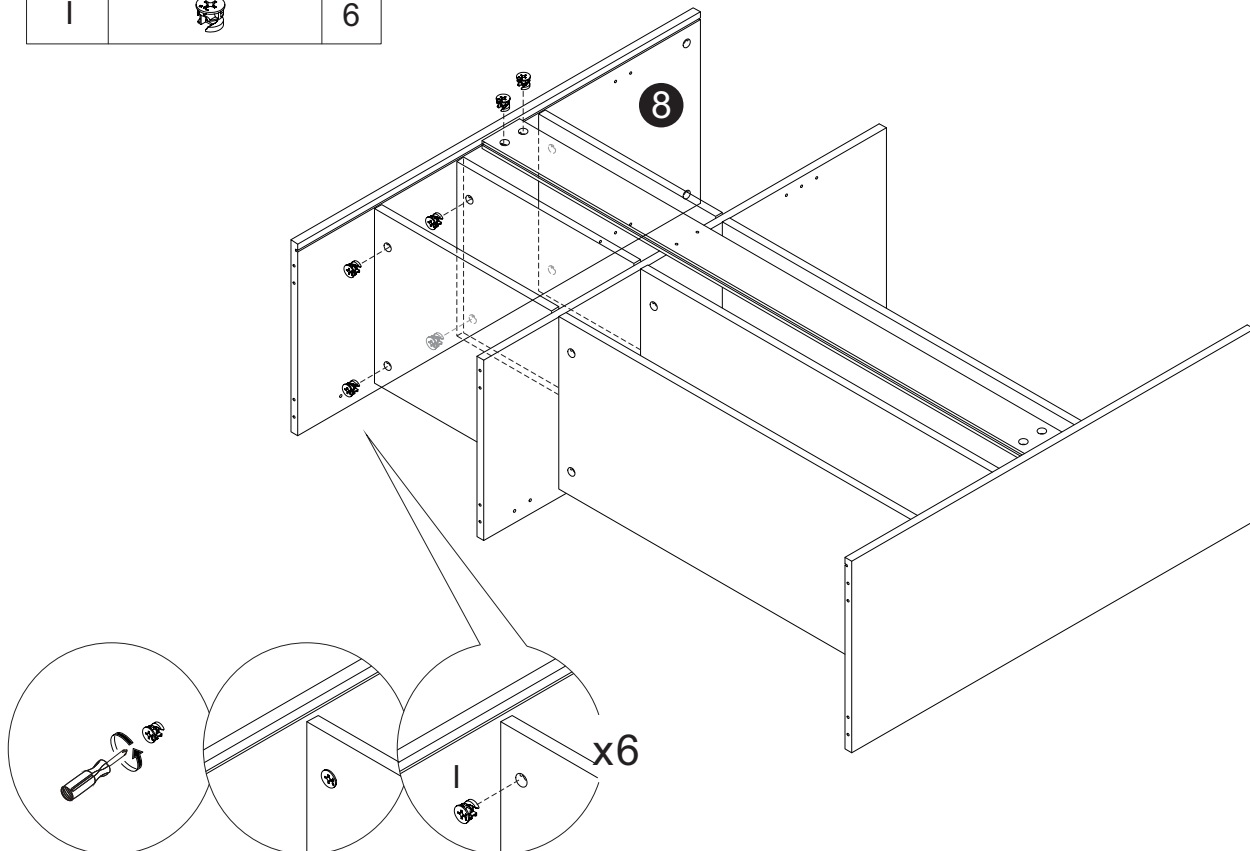
D		6
---	---	---

19



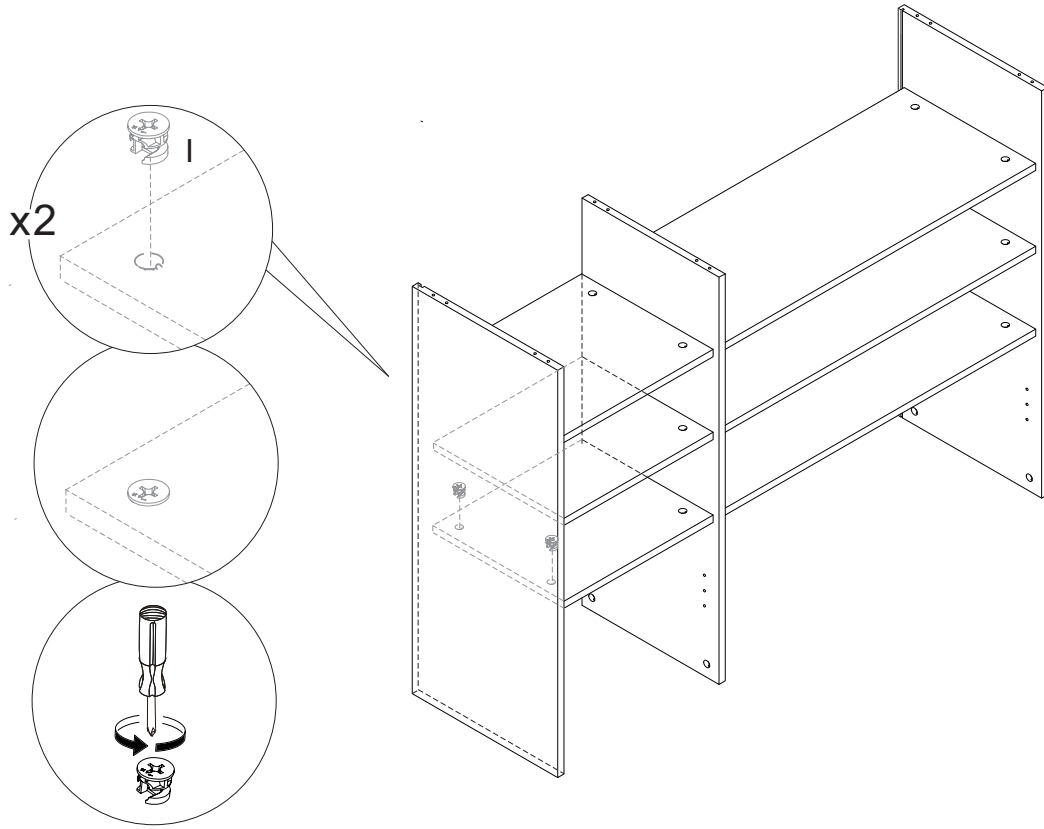
I		6
---	---	---

20

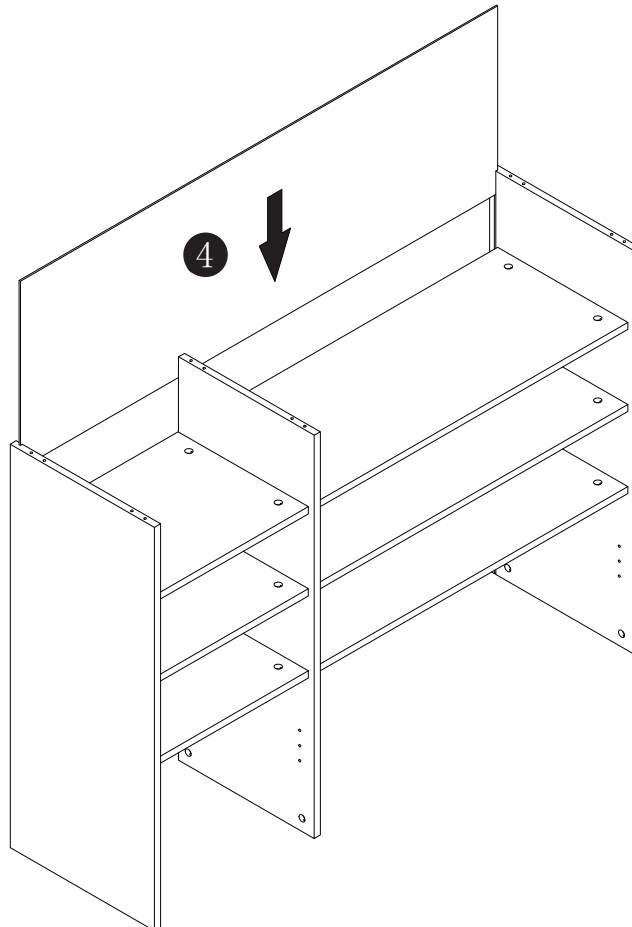


1		2
---	---	---

21

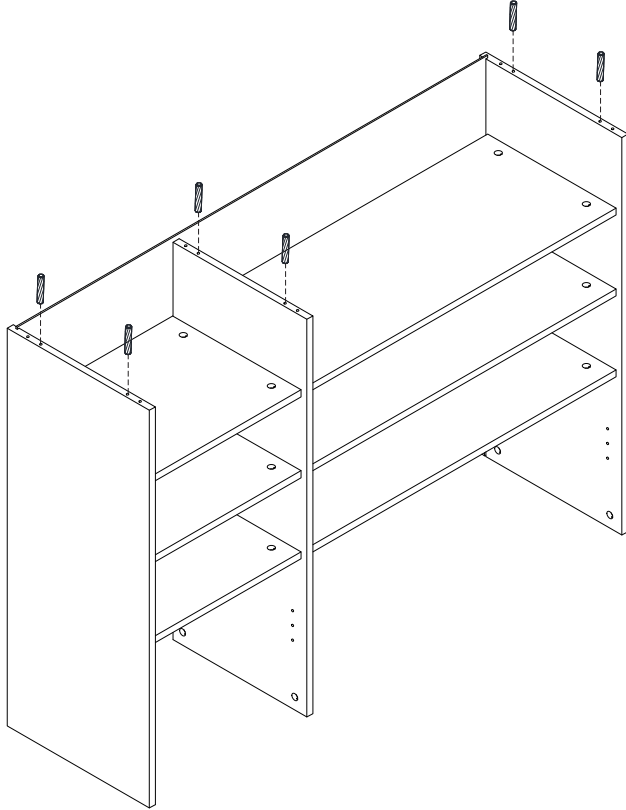
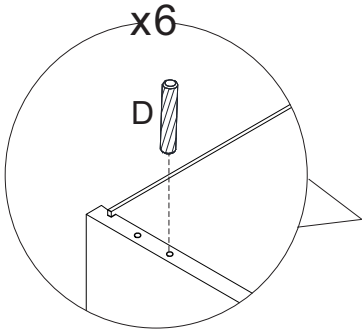


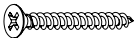
22



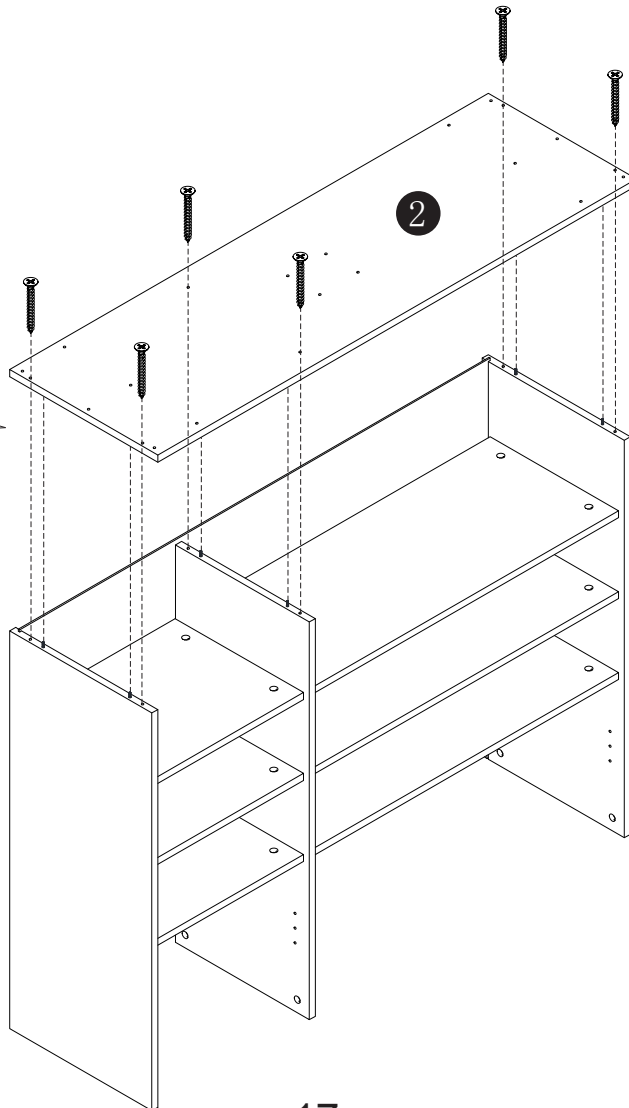
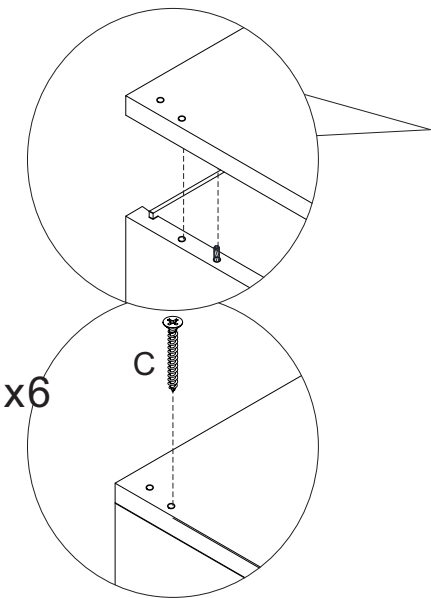
D		6
---	---	---



23



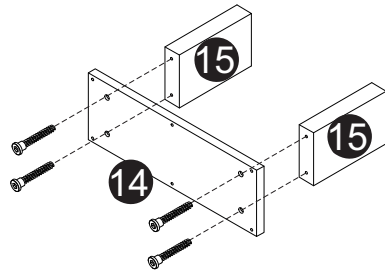
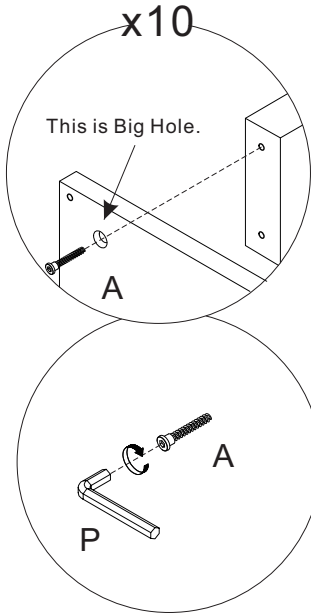
C		6
---	---	---

24

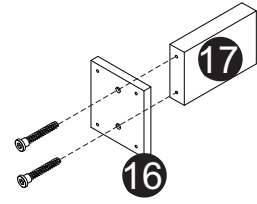



A		10
P		1

25

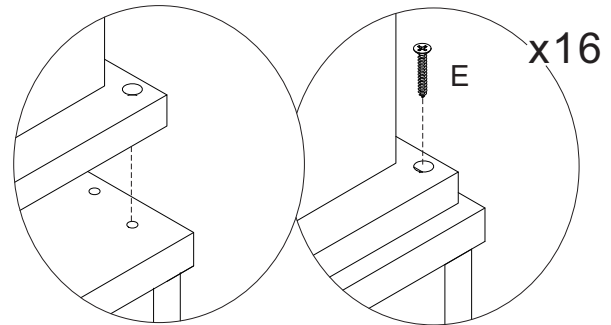
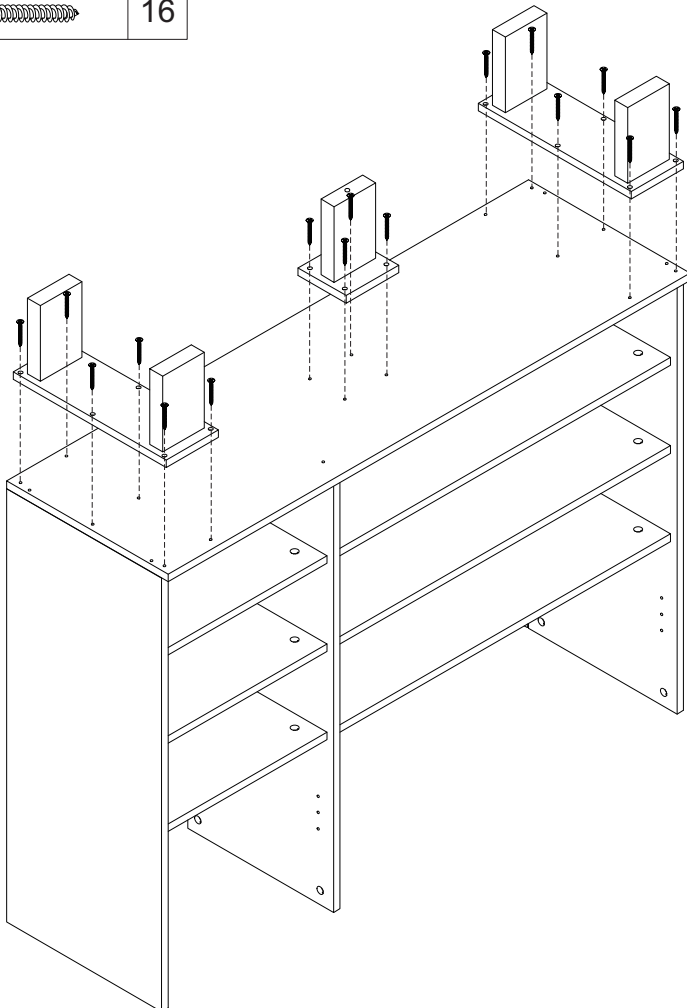



x2



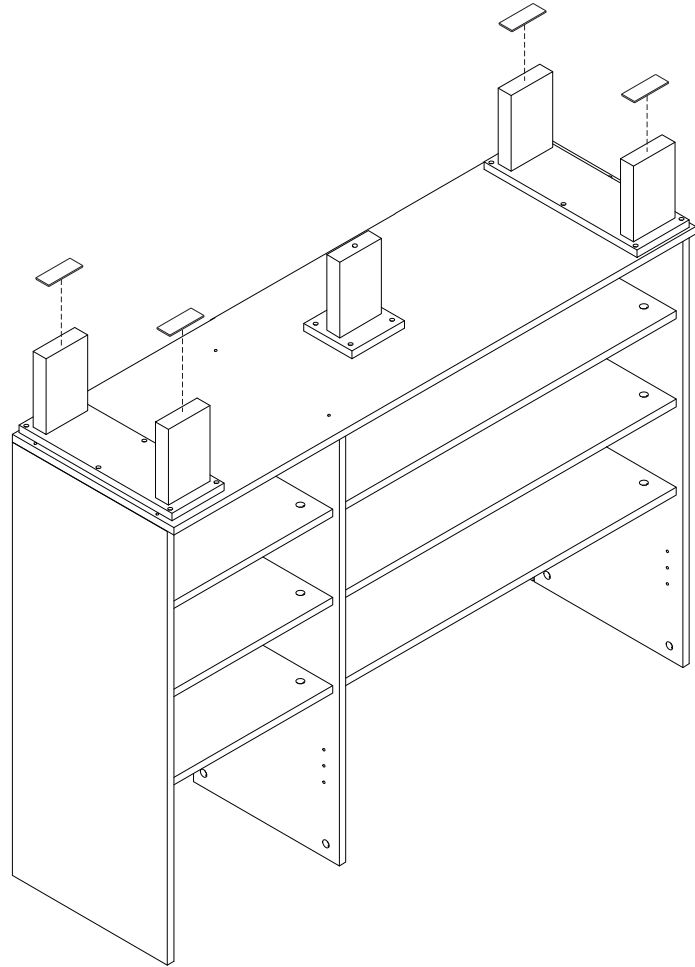
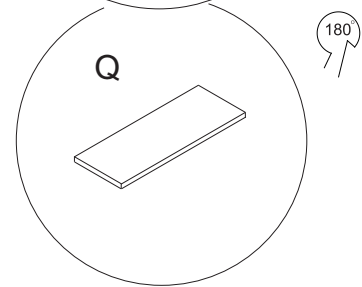
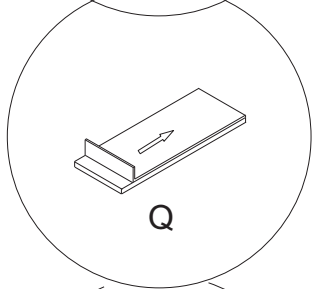
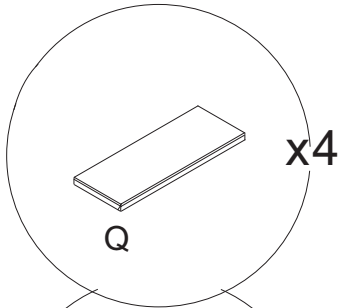
E		16
---	---	----


26



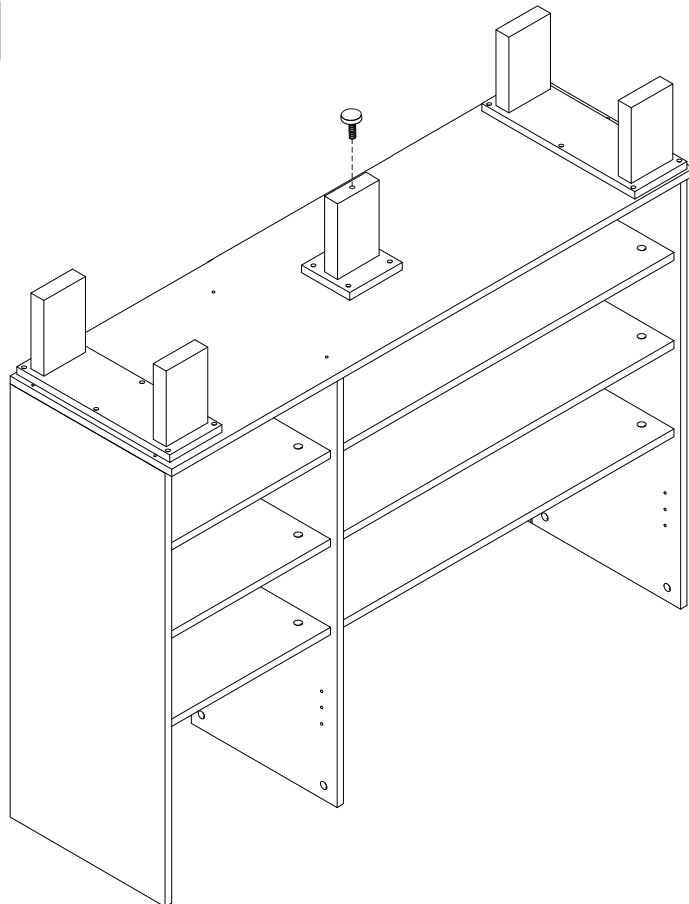
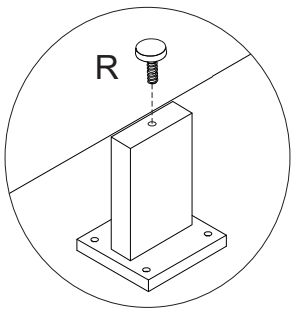
Q		4
---	---	---

27

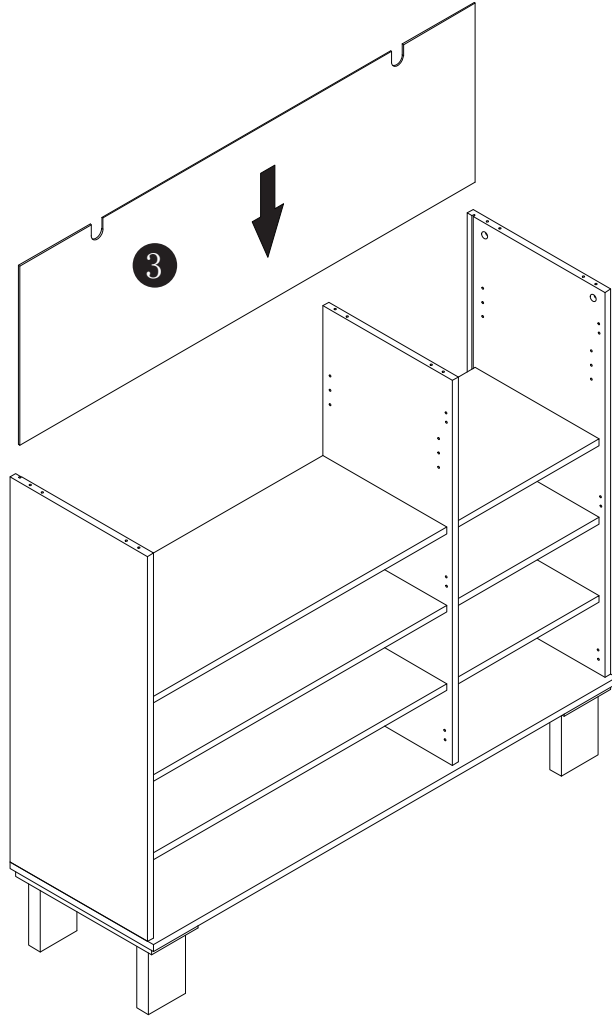


R		1
---	---	---

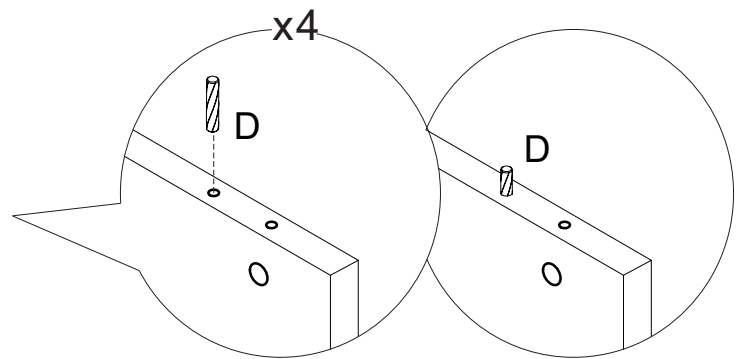
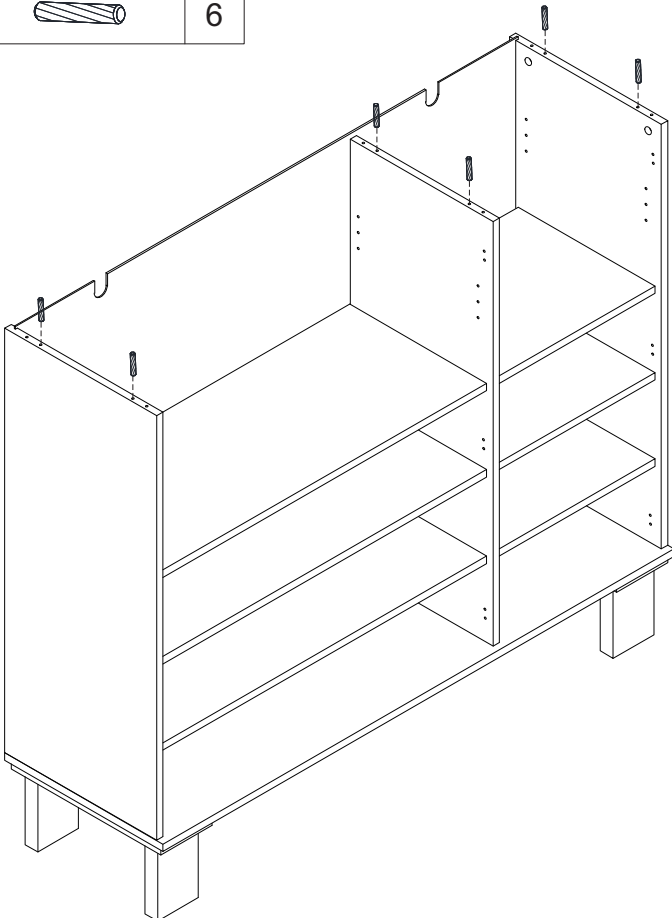
28

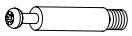


29

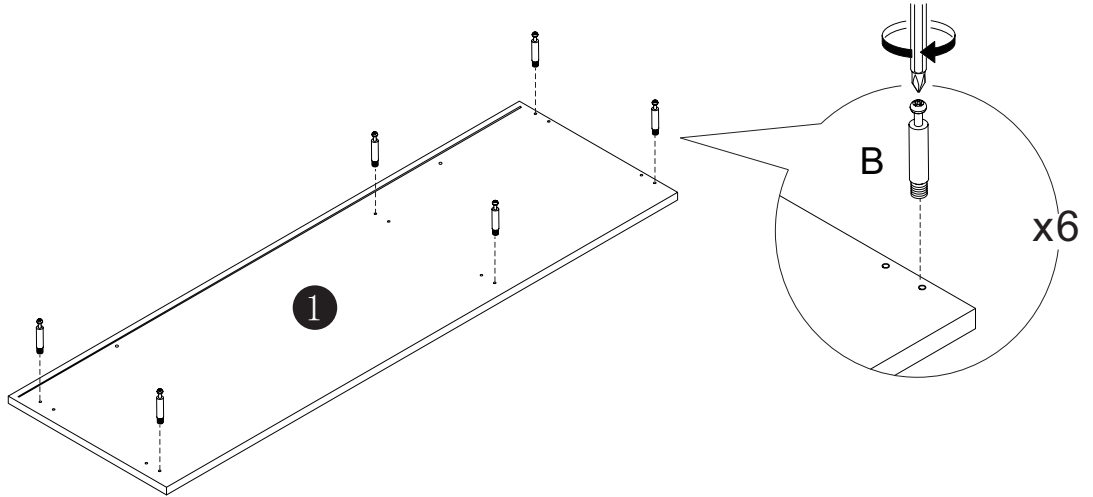




30



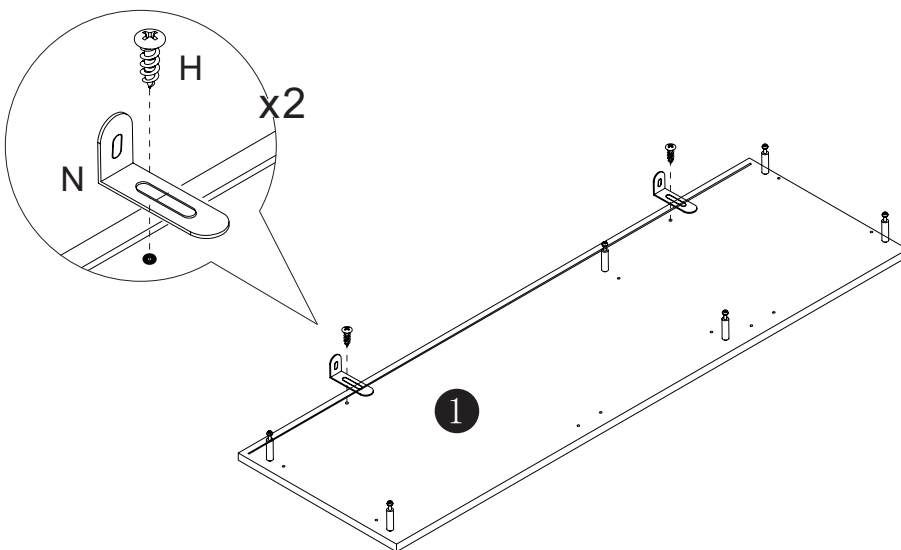
B		6
---	---	---



31



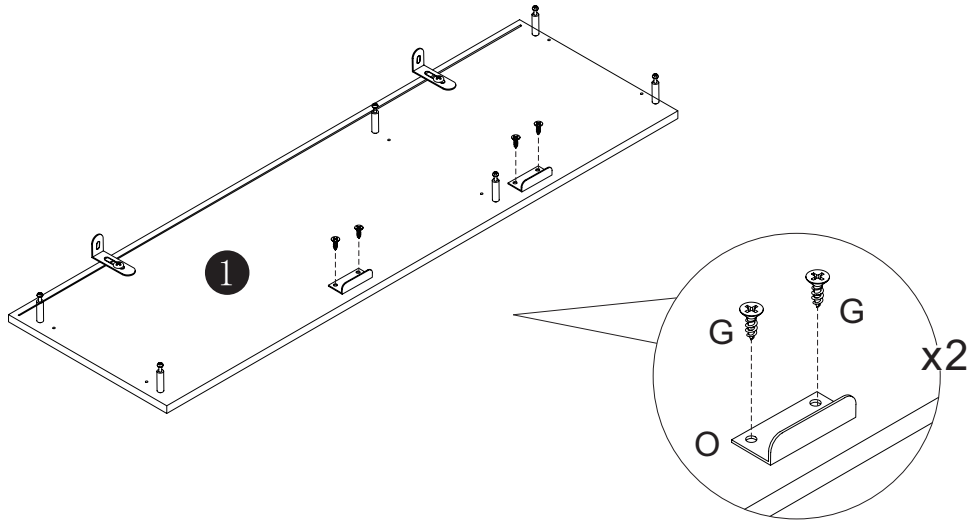
H		2
N		2

32

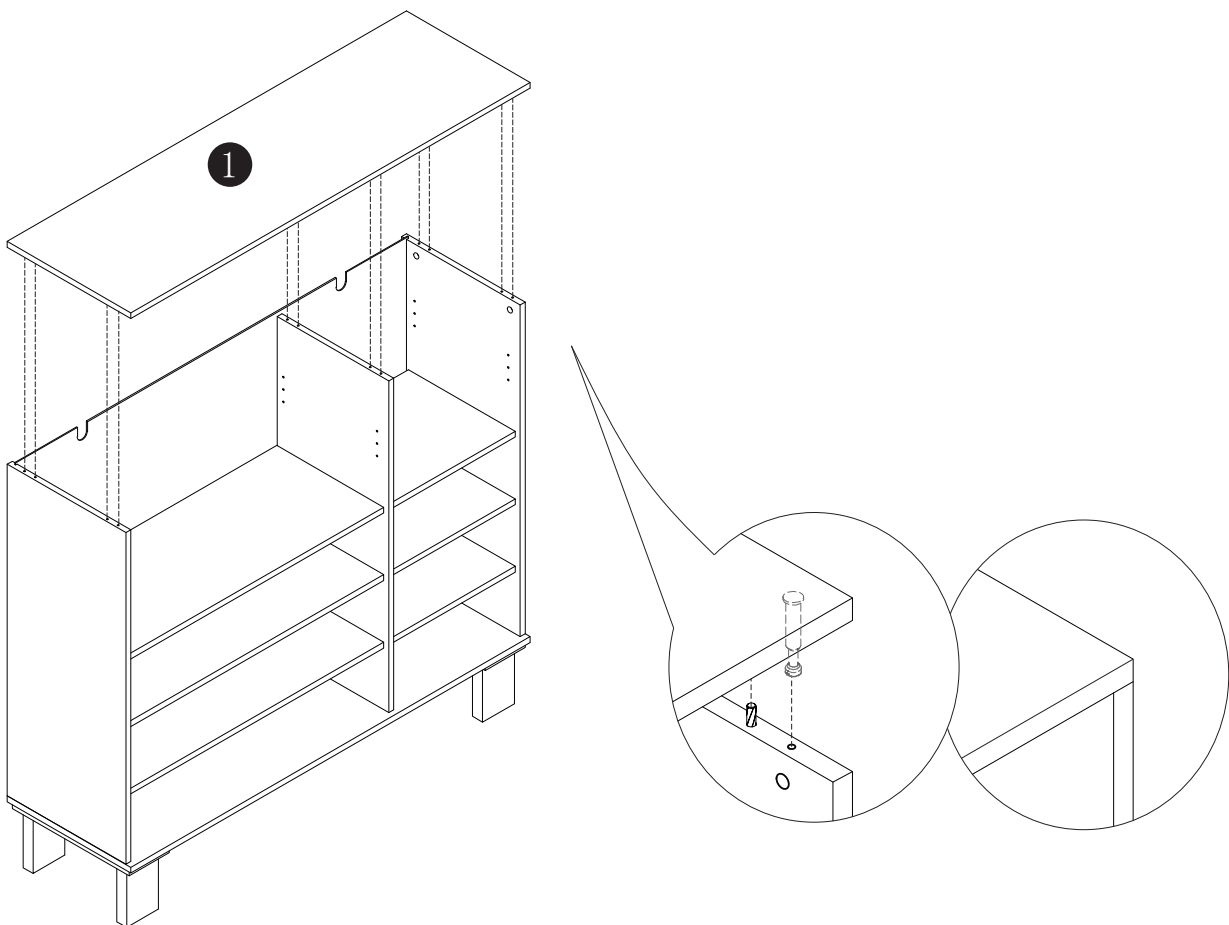


G		4
O		2

33

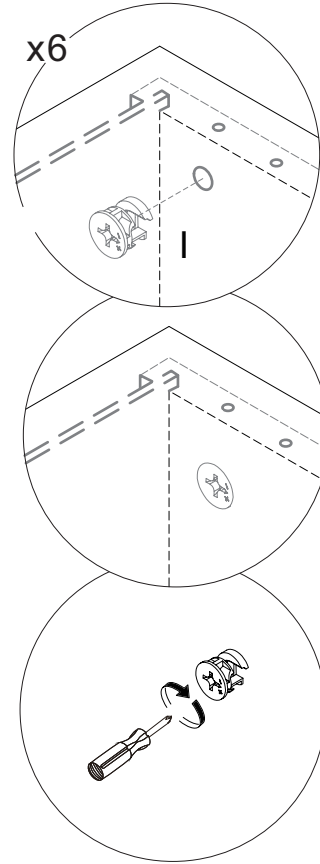
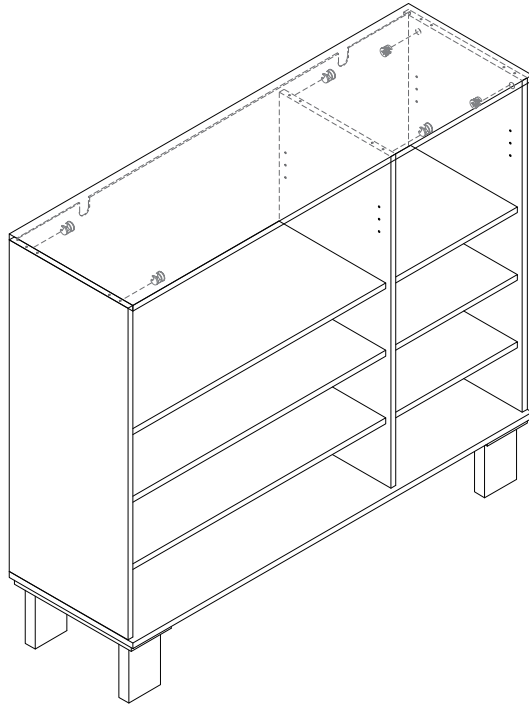



34



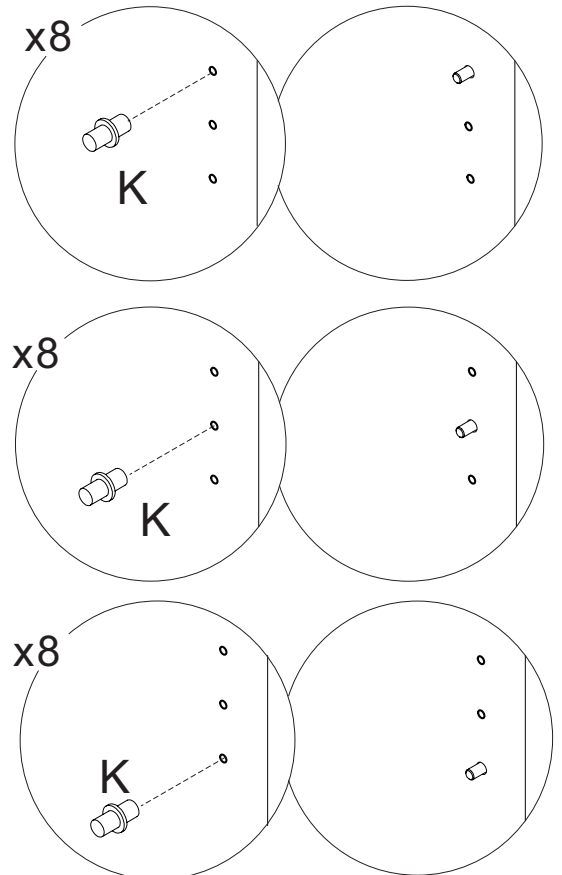
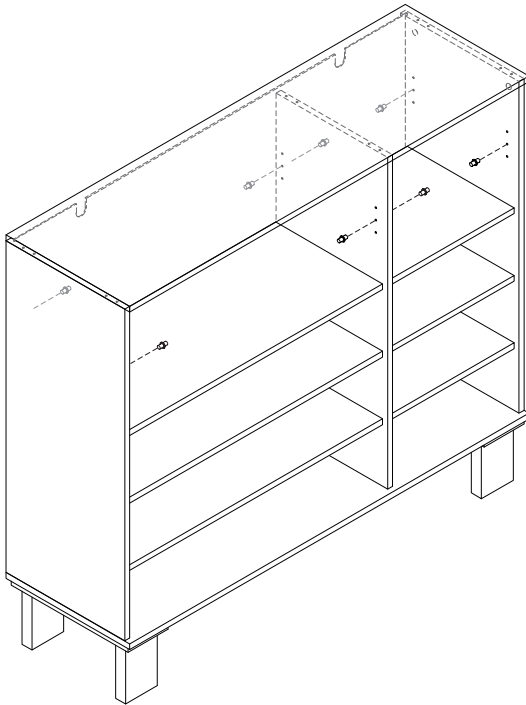
I		6
---	---	---

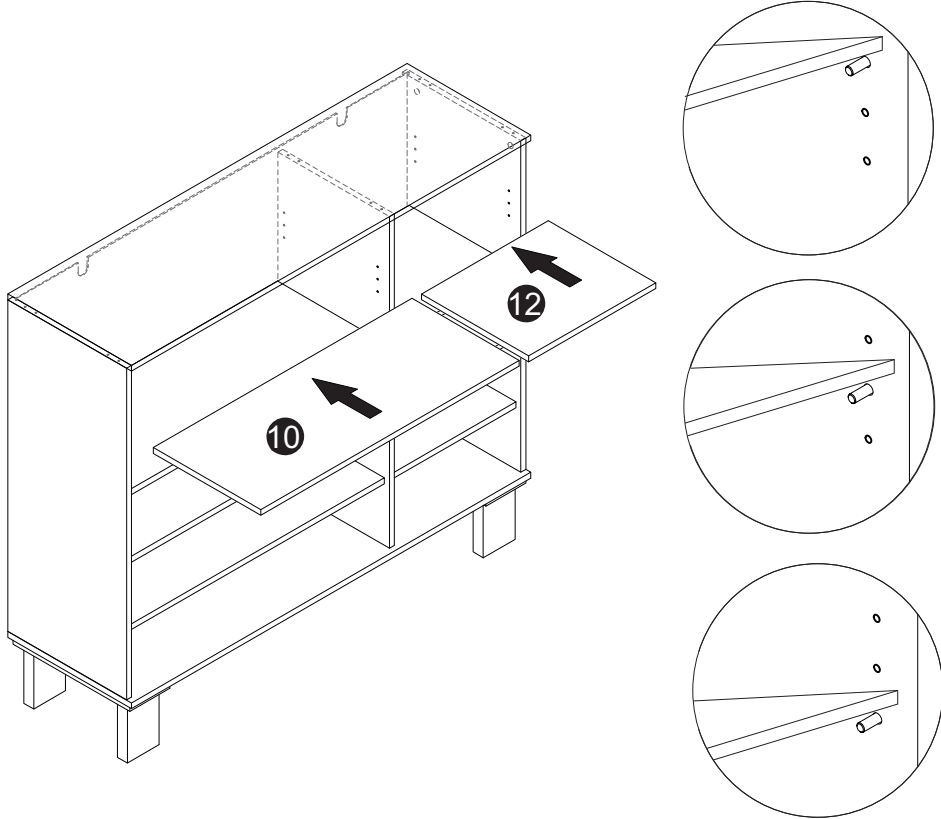
35





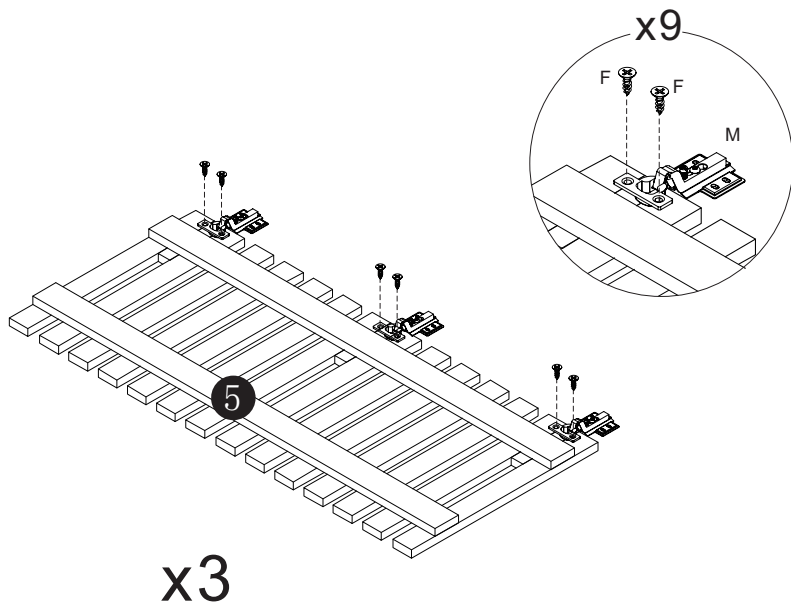
K		8
---	---	---

36



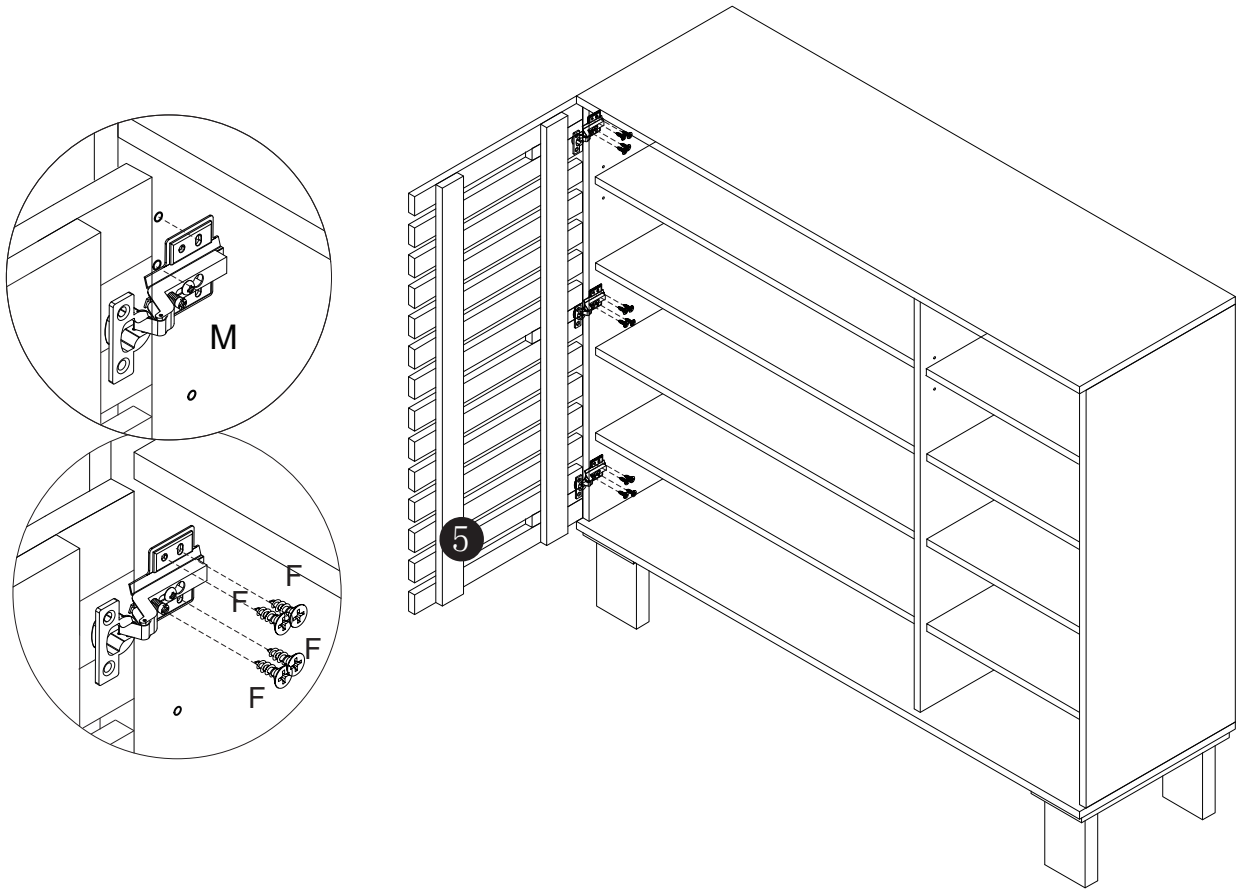


F		18
M		9



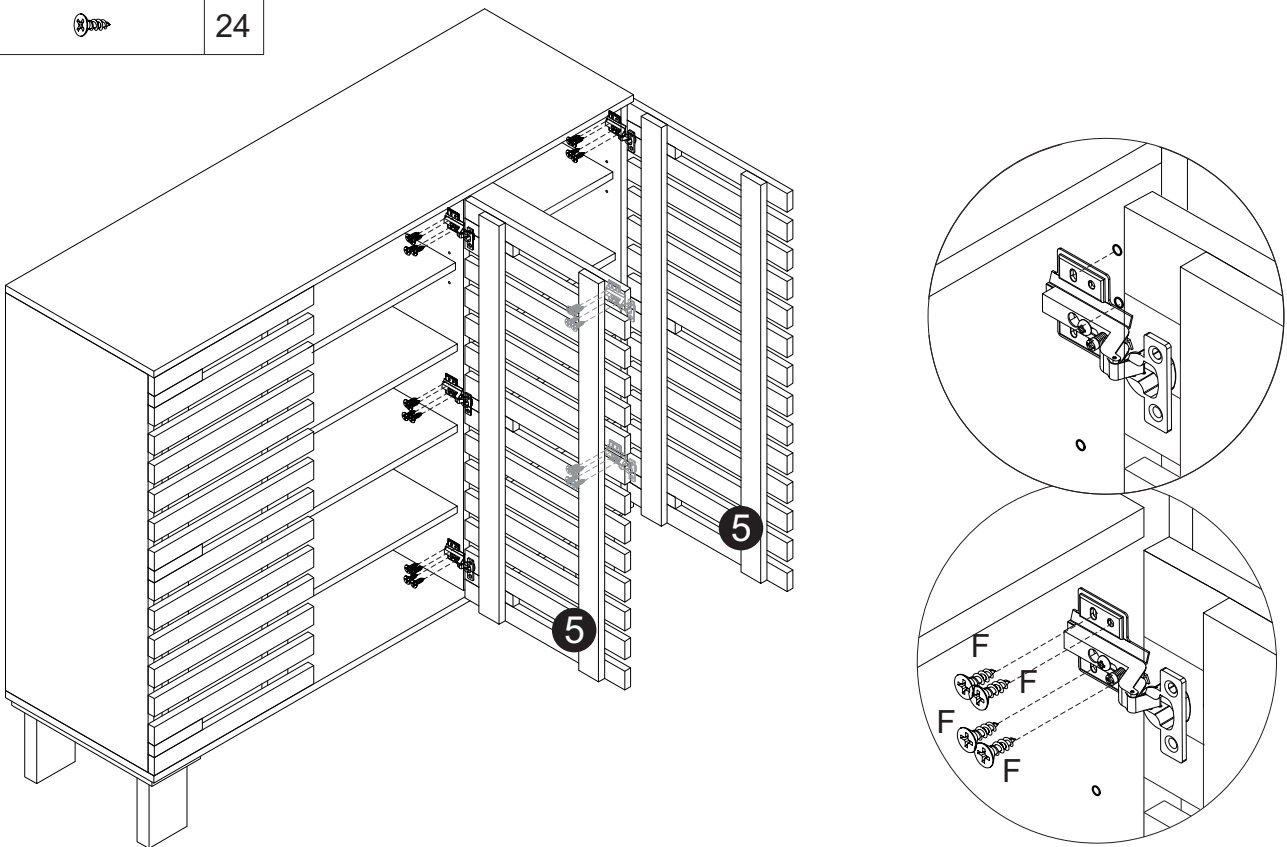
F		12
---	---	----

39



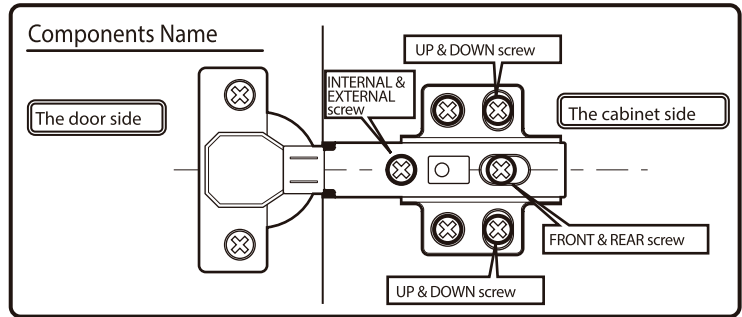
F		24
---	---	----

40



The ways to adjust the door

- Before adjusting the hinge, please check whether the cabinet is skewed.
- If the skew can not be repaired, please remove the anti-tipping device first, then adjust the cabinet to vertical position. Please adjust the hinge with the door open.
- Please operate it with more than 2 people, one person holds the door and the other one adjusts the screw.



Obvious gaps between doors or Doors don't look closed

1 Turn "internal & external screw" to the right can make the door approach inside. Please adjust the doors little by little.

The left door: Turn right (top and bottom screws).
The right door: Turn right (top and bottom screws).

※ If the 2 doors are overlap, please turn the "internal & external screw" to the left.

When door is crooked

1 Rotate the "front and rear screws" to the left.
2 Push the door to the cabinet.
3 Rotate the "front and rear screws" to the right.

※ After adjusting the "front and rear screw", the door still does not change, please turn the "internal & external screw" to the right slightly.



When door is leaning

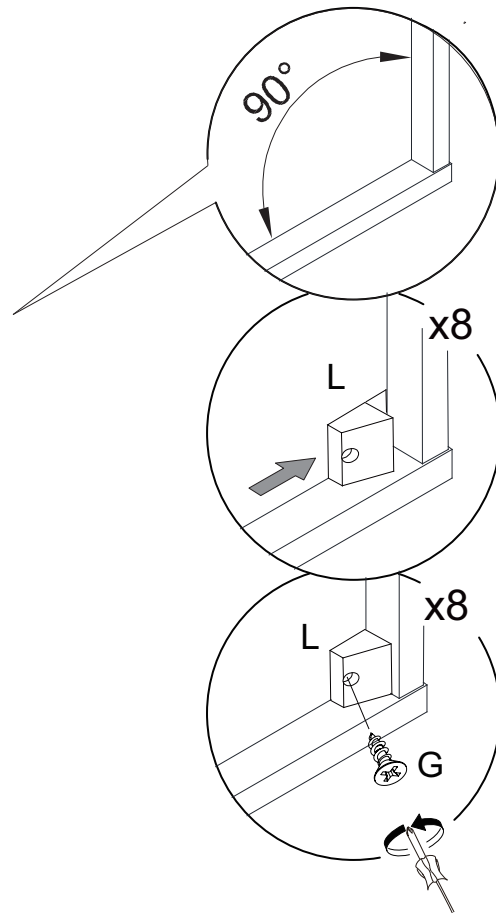
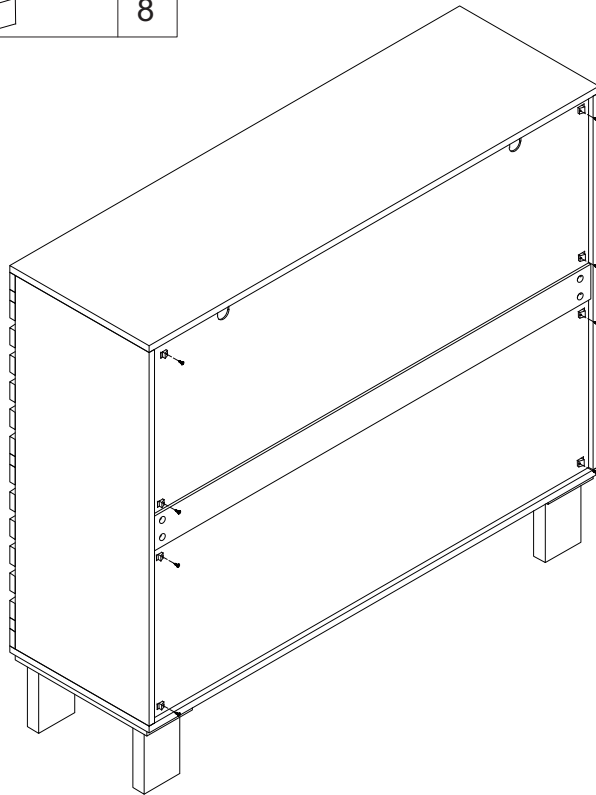
1 Turn "internal & external screw" to the left can make the top of the door tilted outward.
1 Turn "internal & external screw" to the left can make the bottom of the door tilted outward.

When the door is higher on top

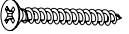

1 Turn "up & down screw" to the left.
2 Lower the door's height so that 2 doors are of the same height.
3 Turn "up & down screw" to the right.

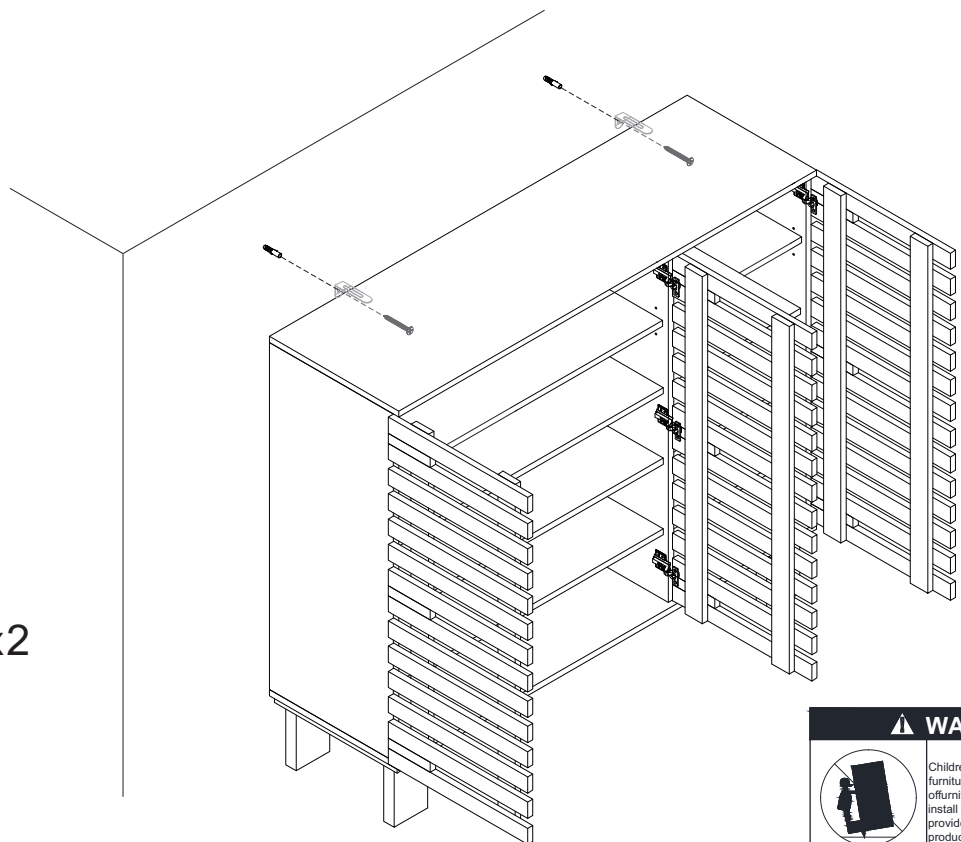
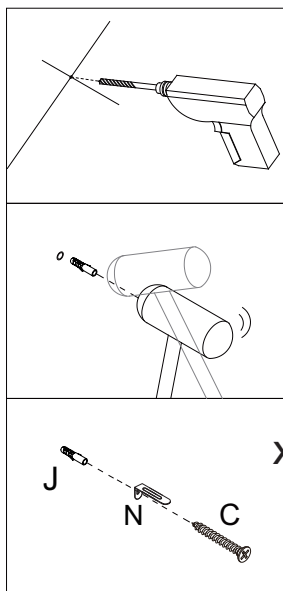
※ If the door is lower on bottom, please lift up the left door slightly on step 2

G		8
L		8



42

C		2
J		2





43

Finished!

Fantastic, we're nearly there! Please carry out the following checks:

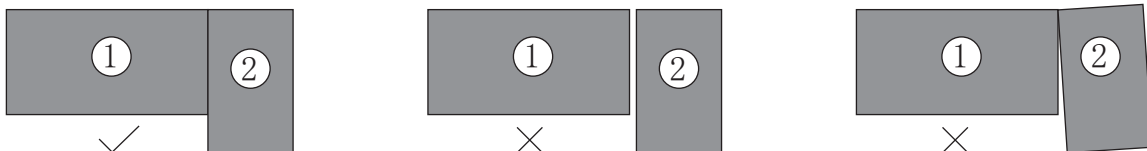
1. Have you tightened all the screws?
2. Are the levelers aligned with and making contact with the ground?
3. Have you installed the anti-tipping kit?

⚠ WARNING	
	Children have died from furniture tipover. To reduce the risk of furniture tipover, ALWAYS install tipover restraint provided. NEVER put a TV on this product. NEVER allow children to stand, climb or hang on drawers, doors, or shelves.
	NEVER open more than one drawer at a time. Place heaviest items in the lowest drawers. This is a permanent label. Do not remove!

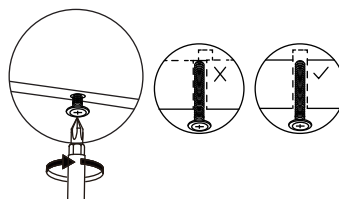
Product Category	Fault	Cause Analysis	Handing Method
Wood furniture	Door opening is not flexible	The furniture is not leveled	Use items to level the furniture
		The door hinges should be adjusted properly.	Adjust door hinges and apply lubricating oil.
	Inflexible opening of drawer	Overload or deformation	Reduce weight, adjust guide rails, lubricate
	Loose component connection	Loose hinges or screws	The poke part should be coated with an appropriate amount of 502 glue, then re-install or tighten the screws.
	Minor scratches	friction with hard o sharp objects	Use a brush to apply similar pigment ink along wood grain to the scratches, then wipe off the excess.
	Corrosive stains	Accidentally stained with chemical solvents such as nail polish, nail polish remover, ect.	Wipe them with a dry cotton cloth immediately

Possible Issues During Assembly:

- The two boards can't be aligned at he same level.

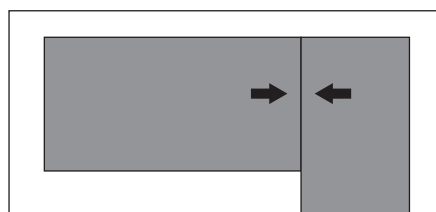


- Holes on the bards and poles are not aligned, so screws can't be installed.



Recommended Solution:

- Please sightly loosen all screws and adjust the bards. Because the diameter of the holes on the pipes 23 mm lager than that of bots, the position of the boards can be adjusted.



- If it is still doesn't work after adjustment, please contact us for more solutions.

FURNITURE USE & CARE GUIDE

Thank you for choosing our product. To ensure optimal performance and safety, please follow these guidelines.

Assembly & Routine Checks

- Assemble according to the instruction manual, ensuring all parts are securely fastened.
- Regularly inspect screws and joints for tightness; re-tighten if necessary.
- When moving the furniture, lift carefully to prevent structural stress.
- Keep furniture in a dry, well-ventilated space to avoid moisture and mold.
- Avoid prolonged exposure to direct sunlight or heat sources, as this may cause discoloration or warping.

Safety Precautions

- Install anti-tip hardware for tall or top-heavy furniture.
- Families with children or pets should take extra care to prevent tipping and impact injuries.
- Encourage children to stay away from sharp corners or edges to prevent accidental bumps or scratches.

Weight Capacity

- Adhere to the recommended weight capacity of each furniture piece.
- Overloading may result in tipping, damage, or personal injury.

Cleaning & Maintenance

- Dust regularly with a soft, dry cloth.
- Do not use abrasive or chemical cleaners, as they may harm the surface finish.

Help Center

Treat your furniture with care and follow the maintenance guidelines.

In return, your furniture will provide you with lasting comfort and support. For any additional inquiries or assistance.



Inquiry



Assembly issue



Missing parts



Returns&Refunds

We look forward to seeing you again soon.