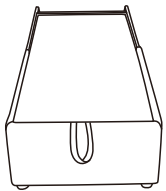
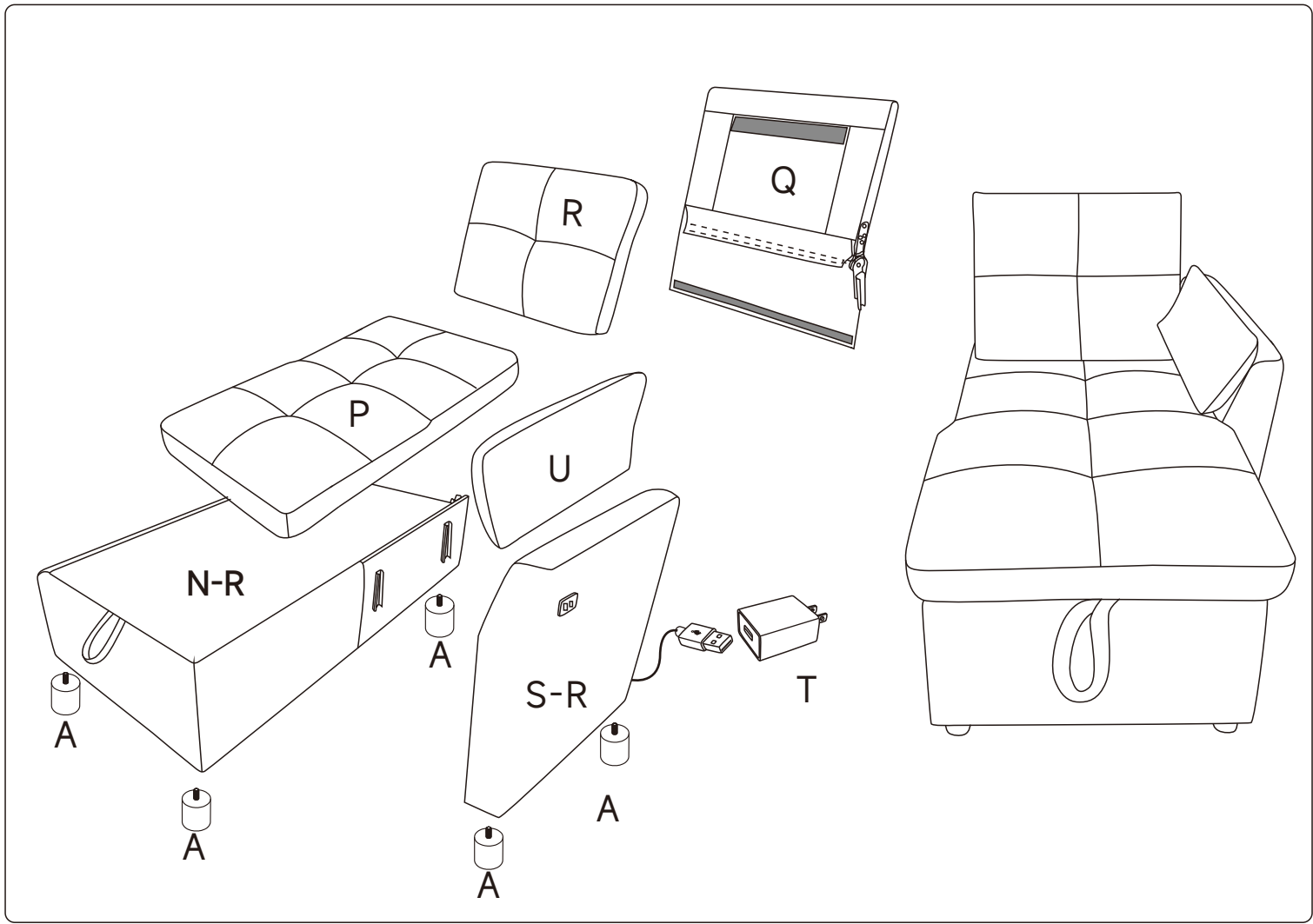


If you have any advice or problem please contact us.

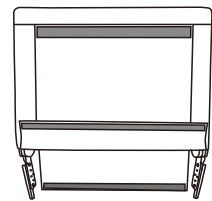
Components List



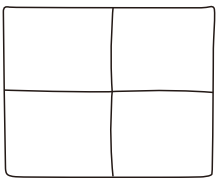
N-RX1



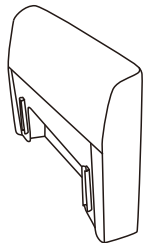
P X1



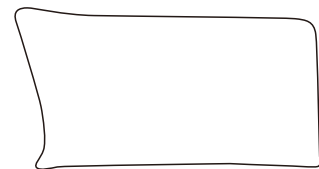
Q X1



R X1

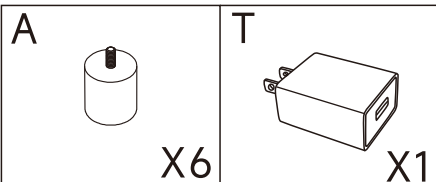


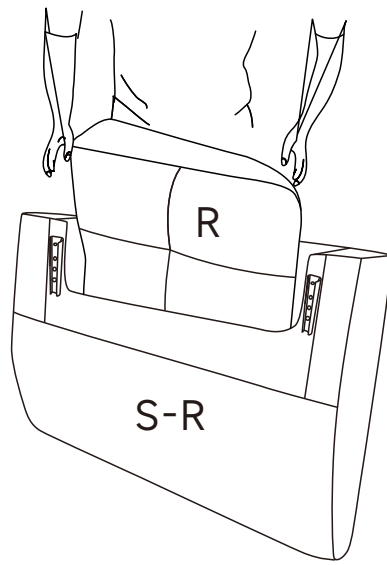
S-R X1



U x1

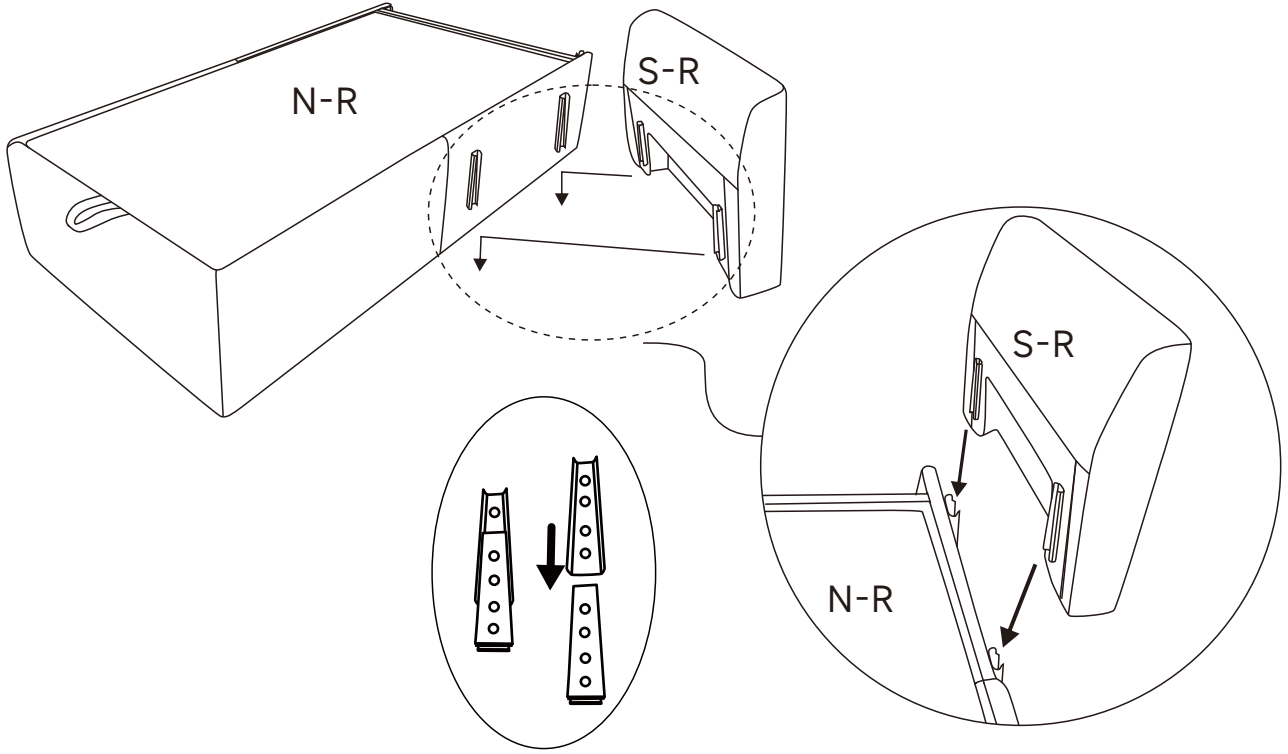
Hardware List



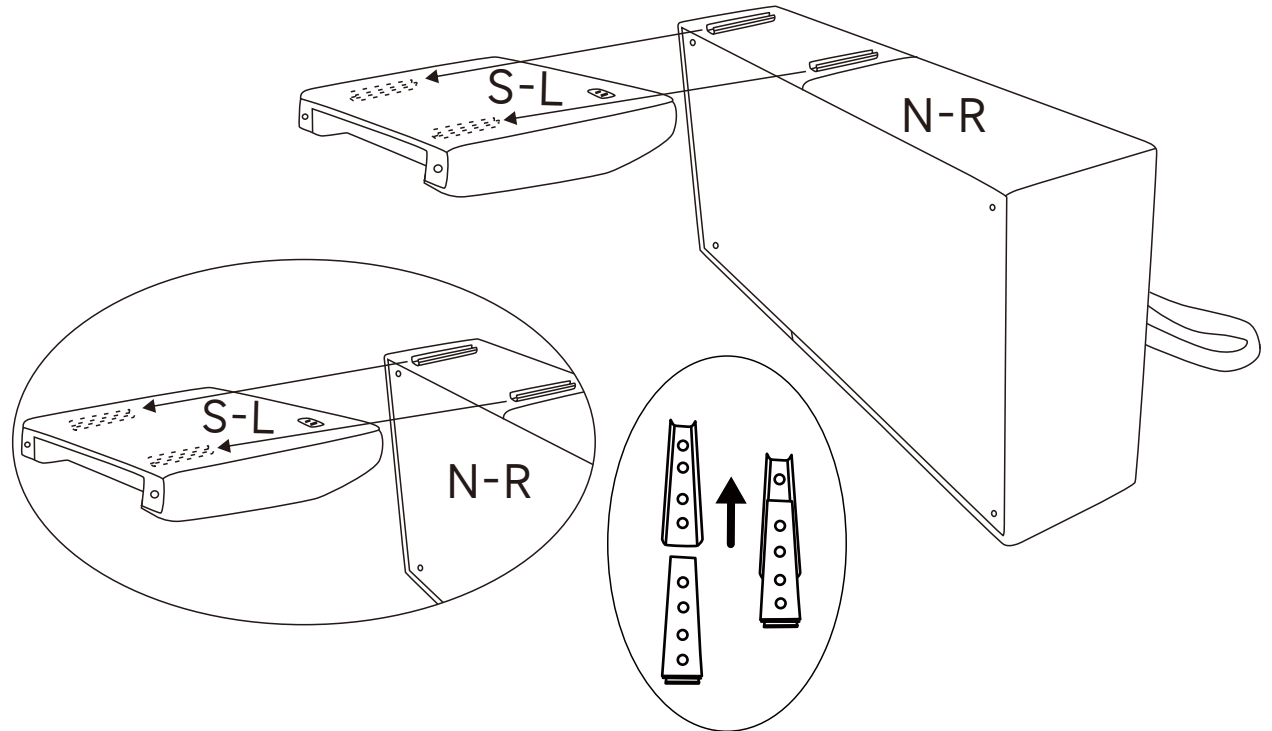


STEP 1

Step1:



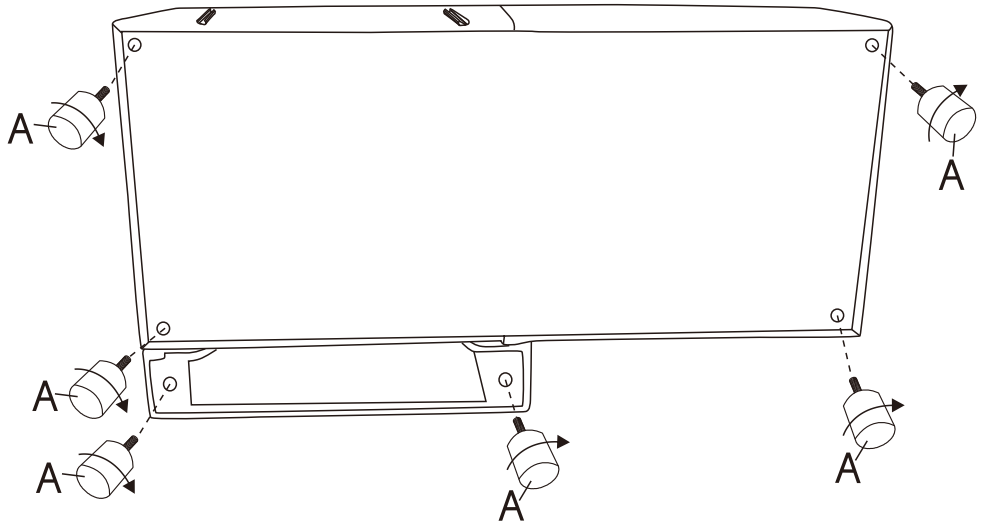
Step2:



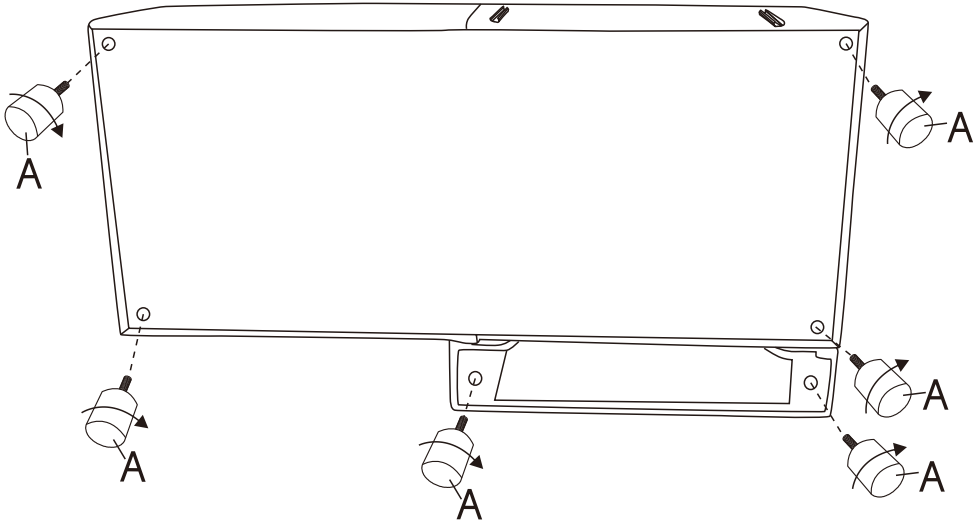
STEP 2

 Ax6

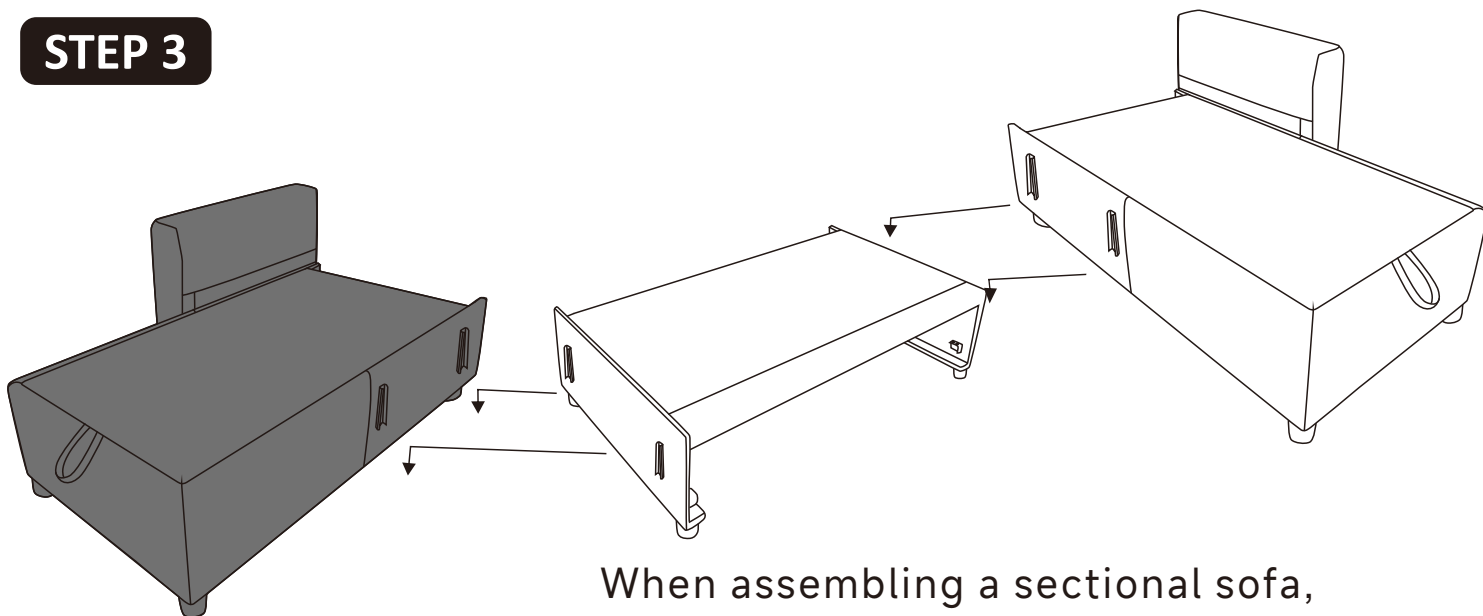
Step1:



Step2:



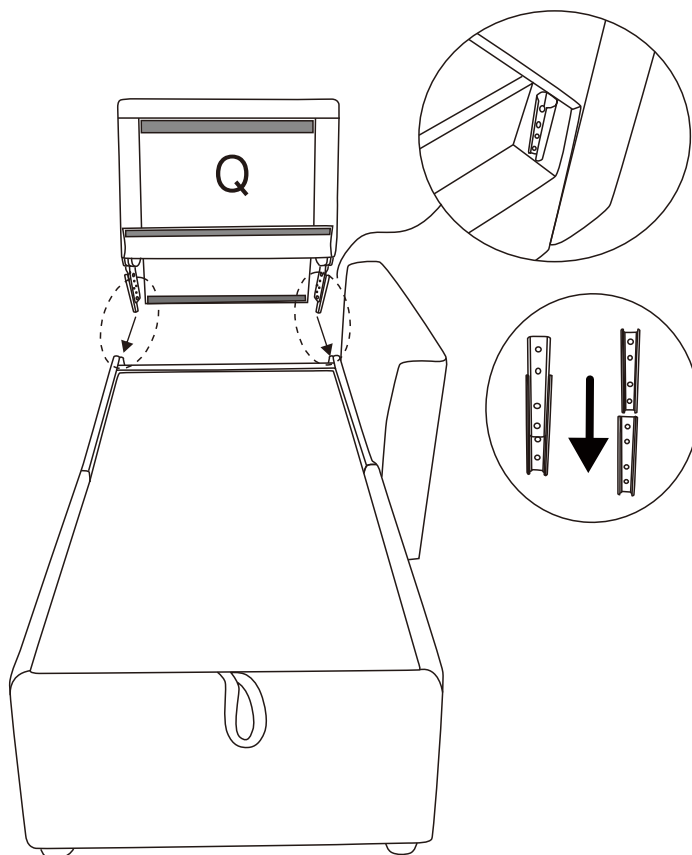
STEP 3



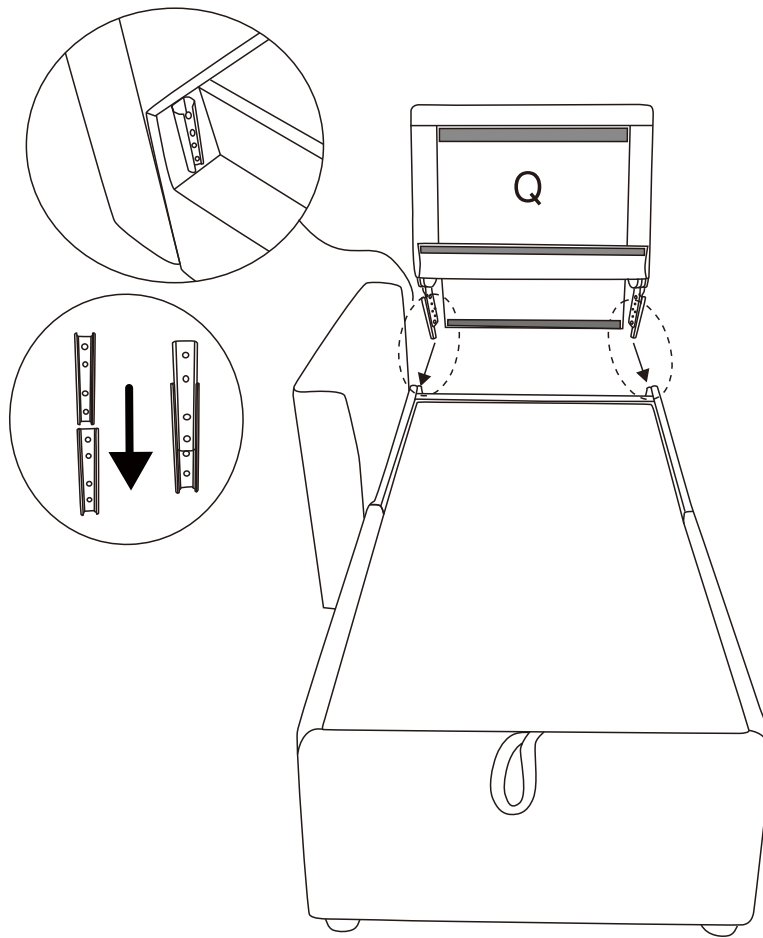
When assembling a sectional sofa, it is essential to have one individual positioned at the rear and another at the front, simultaneously lifting the sofa to securely fasten the components together.

STEP 4

Step 1:

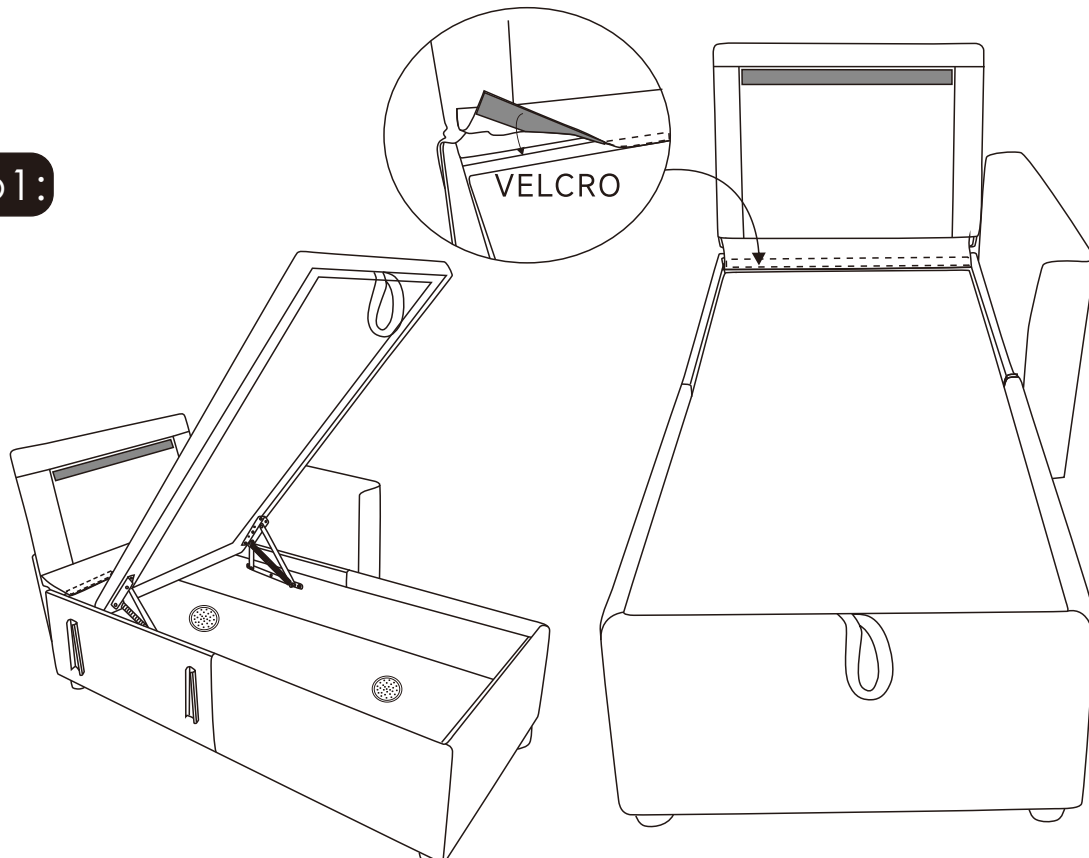


Step2:

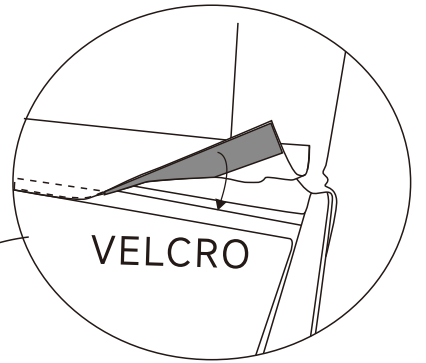
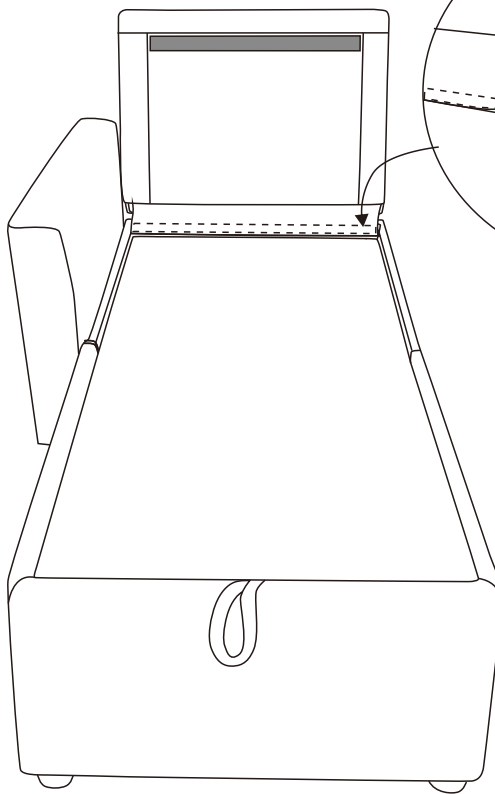
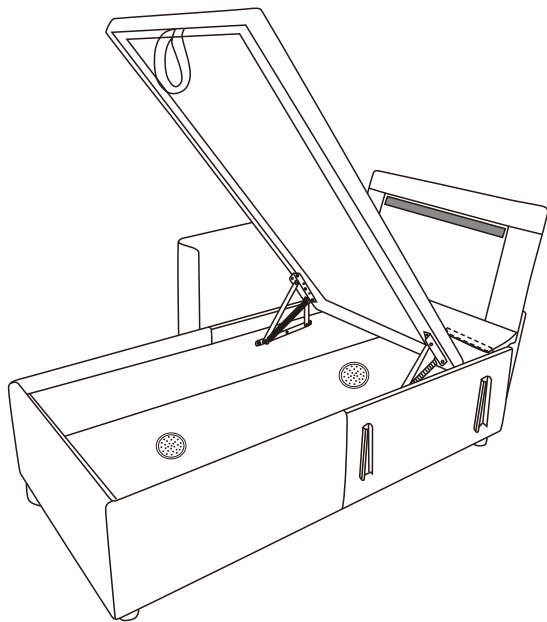


STEP 5

Step1:

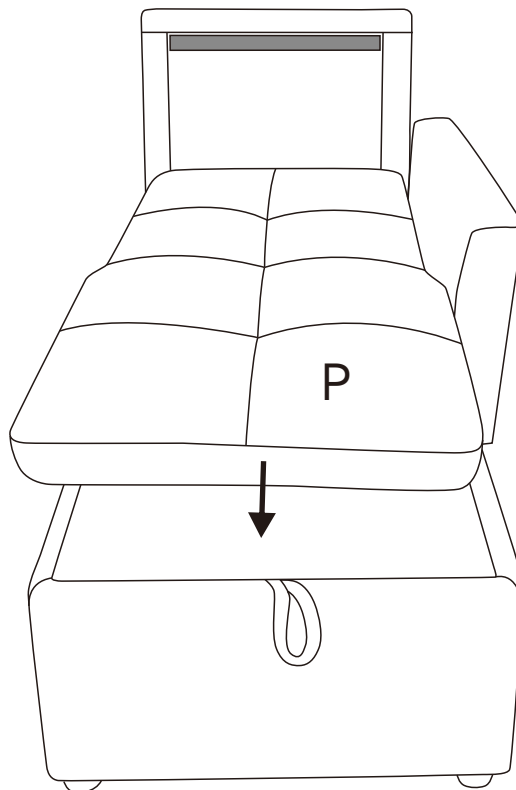


Step2:

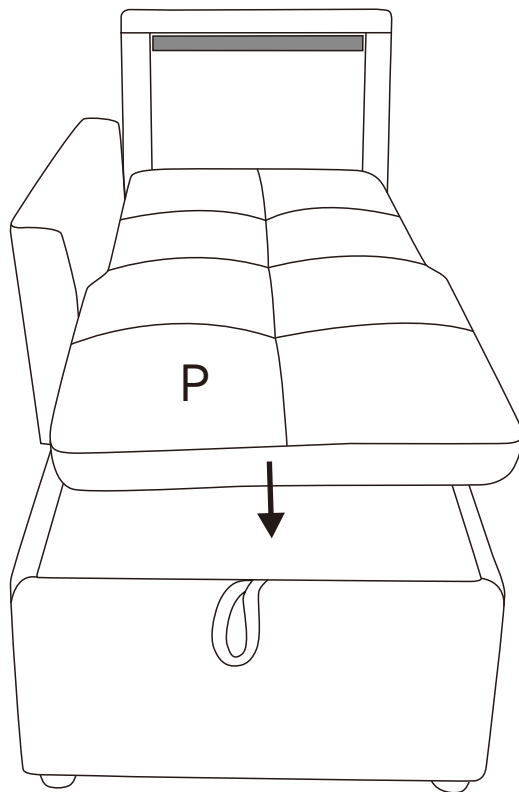


STEP 6

Step1:

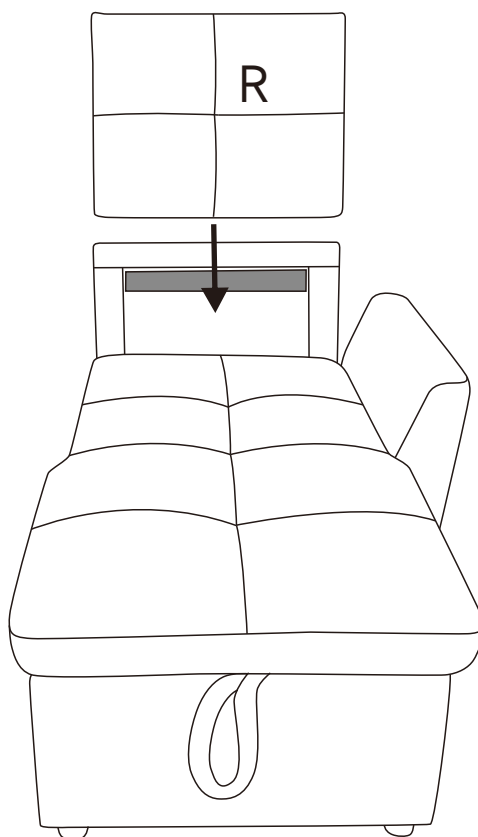


Step2:

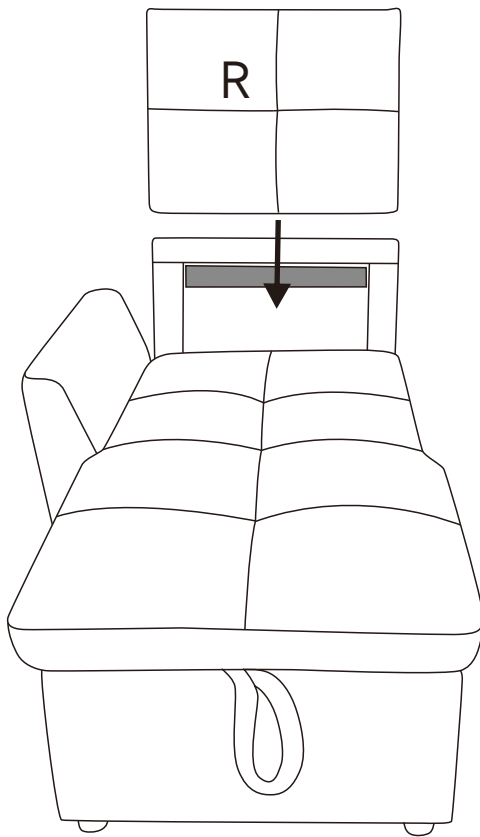


STEP 7

Step1:

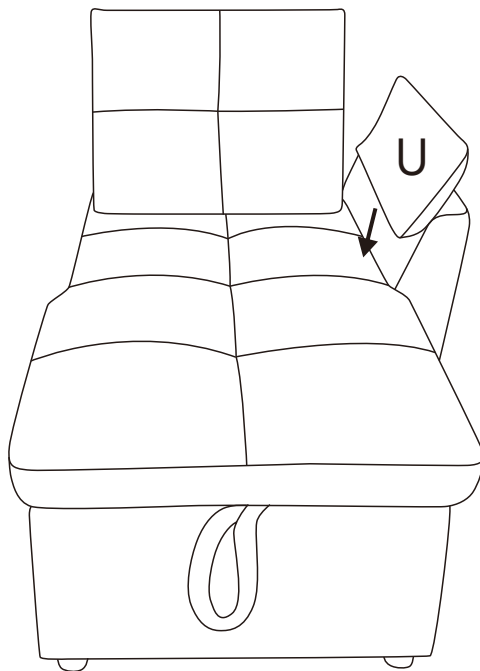


Step2:

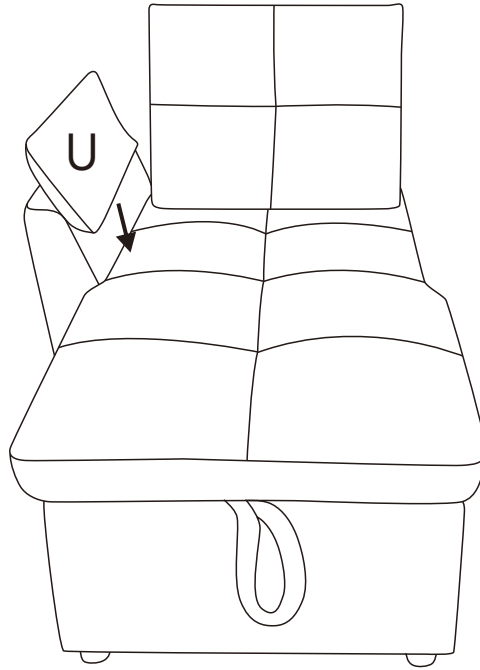


STEP 8

Step1:

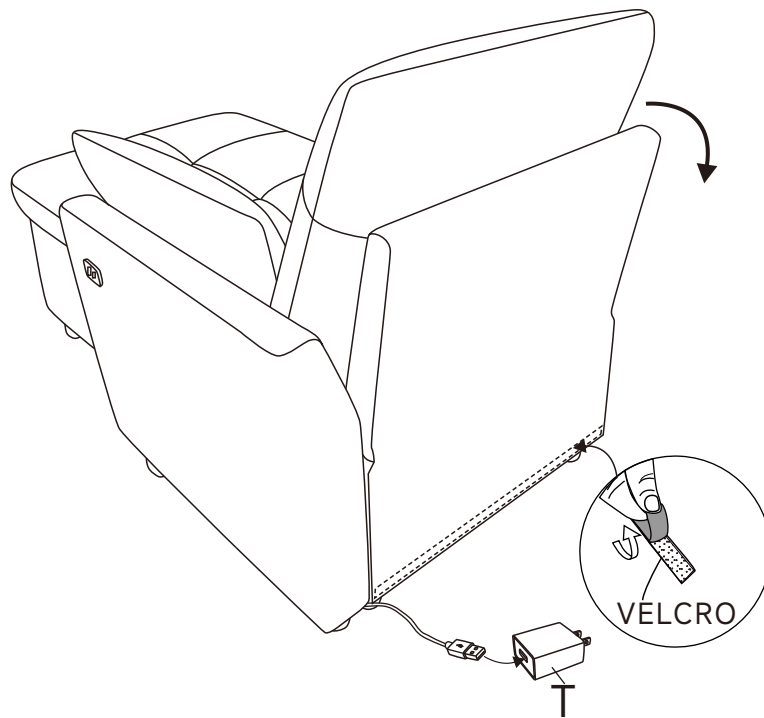


Step2:

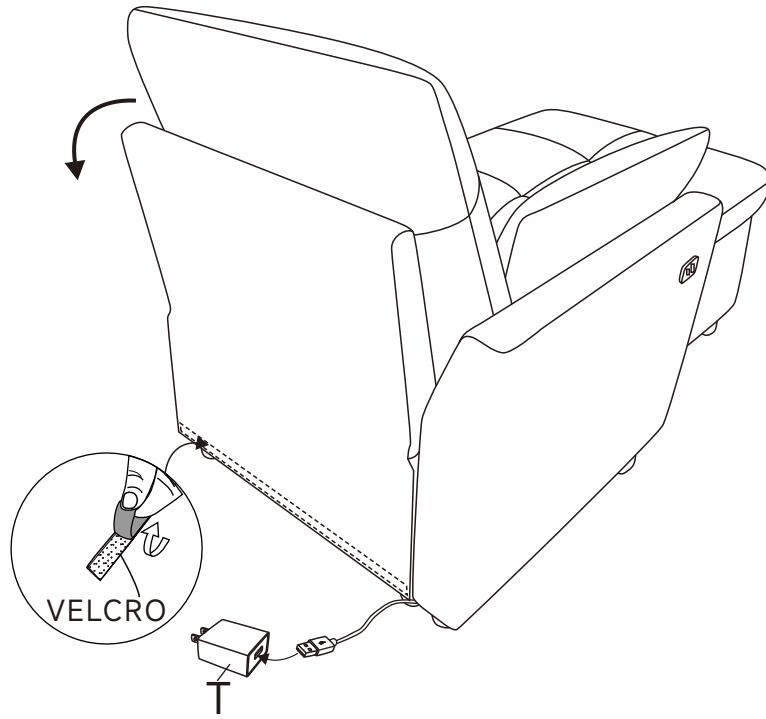


STEP 9

Step1:

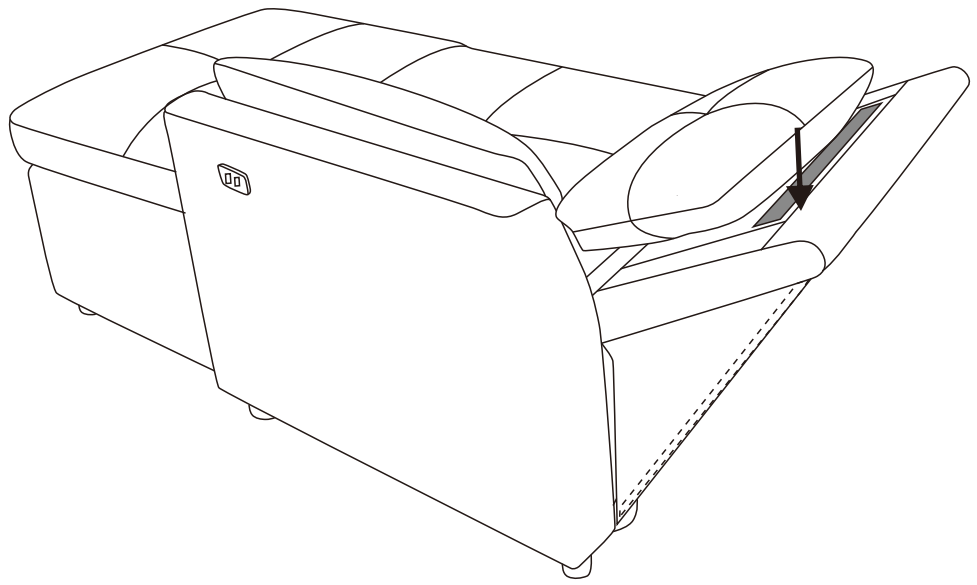
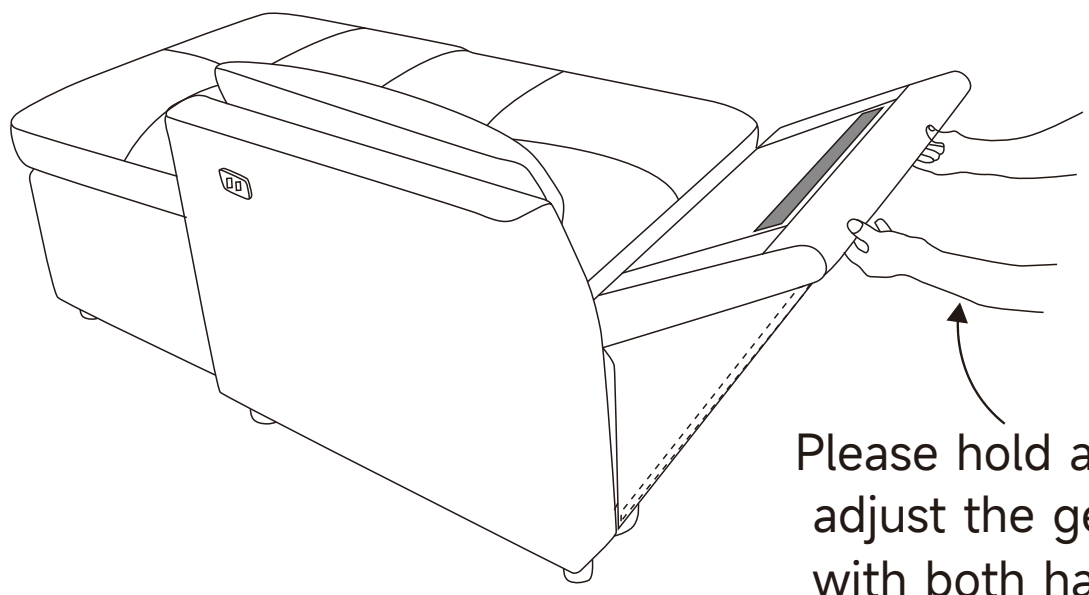


Step2:

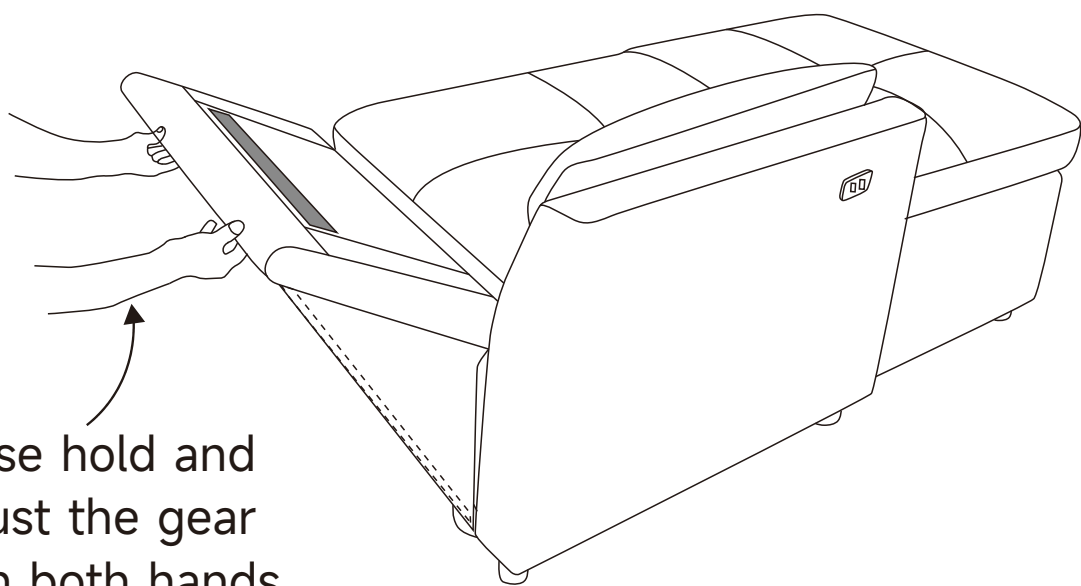


STEP 10

Step1:



Step2:



Please hold and adjust the gear with both hands.

