

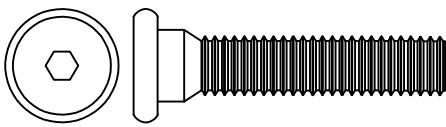
Sit-tanding Desk

# Specifications

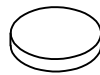
Max. Weight Capacity	55 lbs (25kg)
Speed	25mm/s
Battery Capacity / Voltage	800mAH / DC24V
Maximum charging voltage	5V-9V
Min. Height	26.8" (680mm)
Max. Height	42.9" (1090mm)
Duty Cycle	10% (Working 2 minutes then stop 18 minutes)
Certification	FCC

# Accessory Package

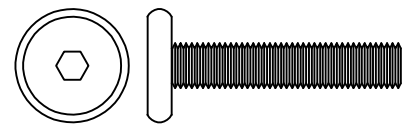
**PLEASE NOTE:** Check that you have received all components and hardware before assembling. If you are missing any parts, please contact us for replacement parts.



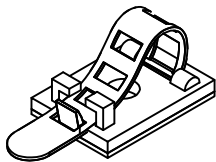
**A.** 1-1/2" Medium Machine Screw - 4



**B.** Cushion - 2



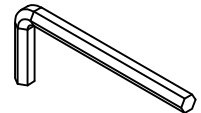
**C.** 1-1/8" Small Machine Screw - 4



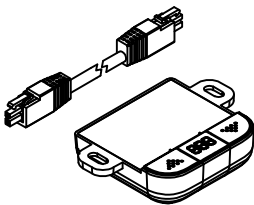
**D.** Self-adhesive Cable Strap - 2



**E.** 1/2" Flat Head Screw - 2



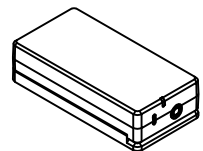
**F.** Wrench - 1



**G.** Control Box - 1



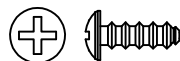
**H.** 9/16" Medium Wood Screw - 2



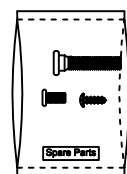
**I.** Battery - 1



**J.** Type C USB Cable - 1

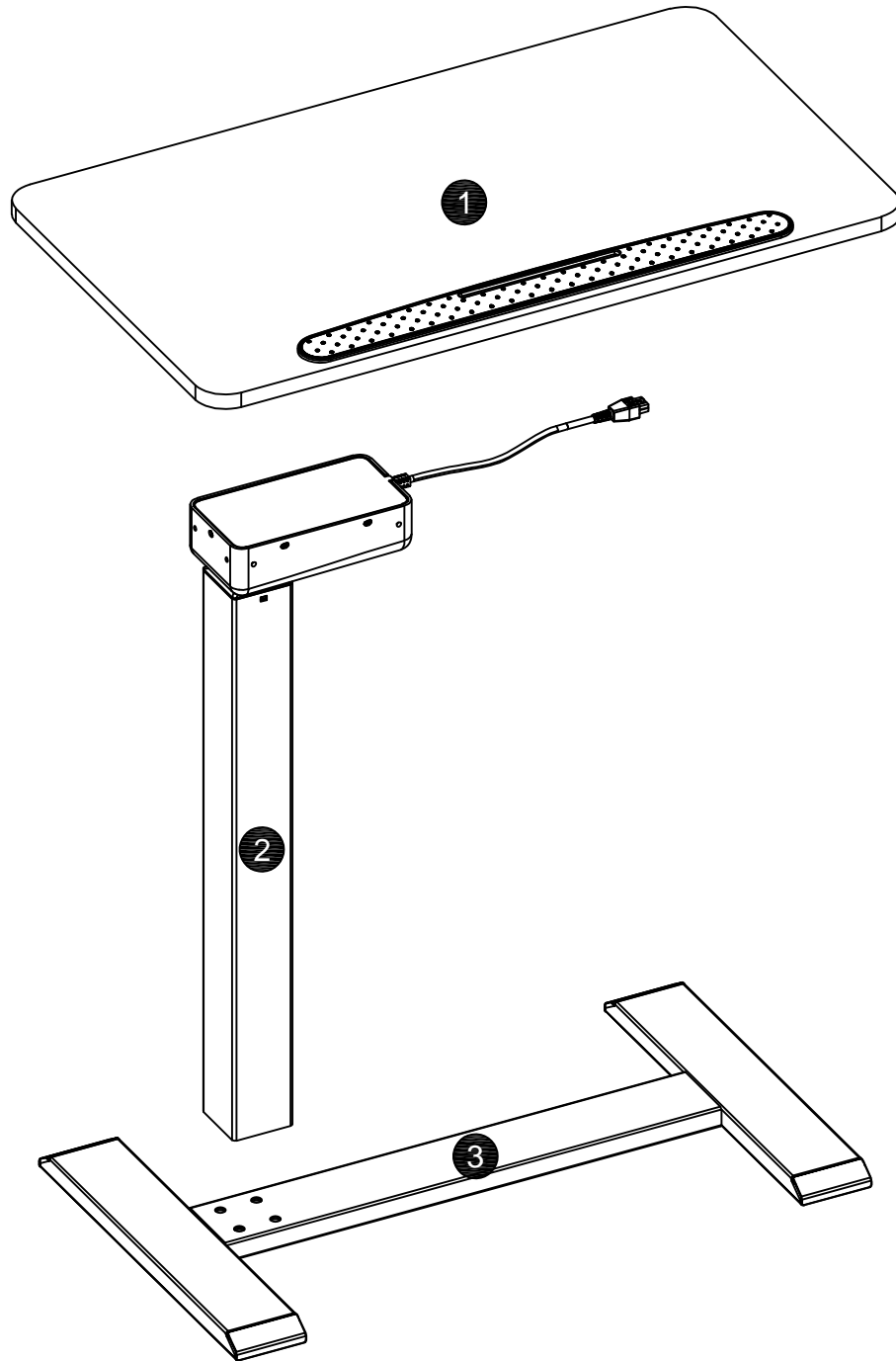


**K.** 1/2" Medium Wood Screw - 2



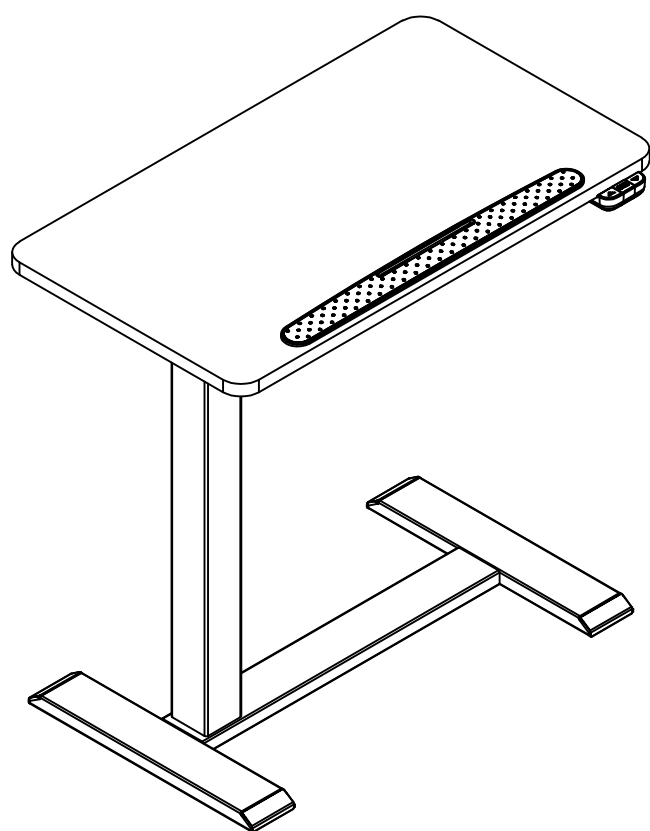
**L.** Spare Parts - 1

# Diagram of Components

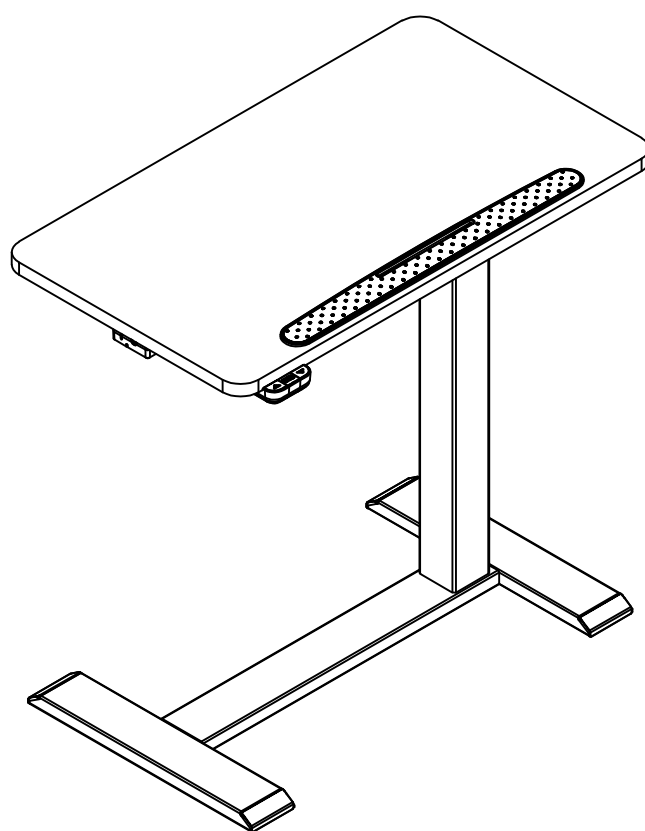


## Appearance diagram

The table legs are interchangeable and can be installed on either the left or right side according to your preference. Please refer to the corresponding installation methods in Option 1 and Option 2 for detailed instructions.

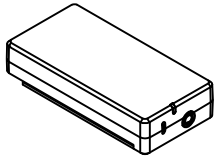


OPTION 1



OPTION 2

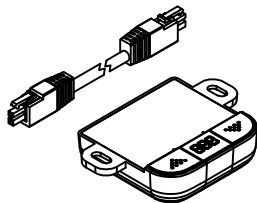
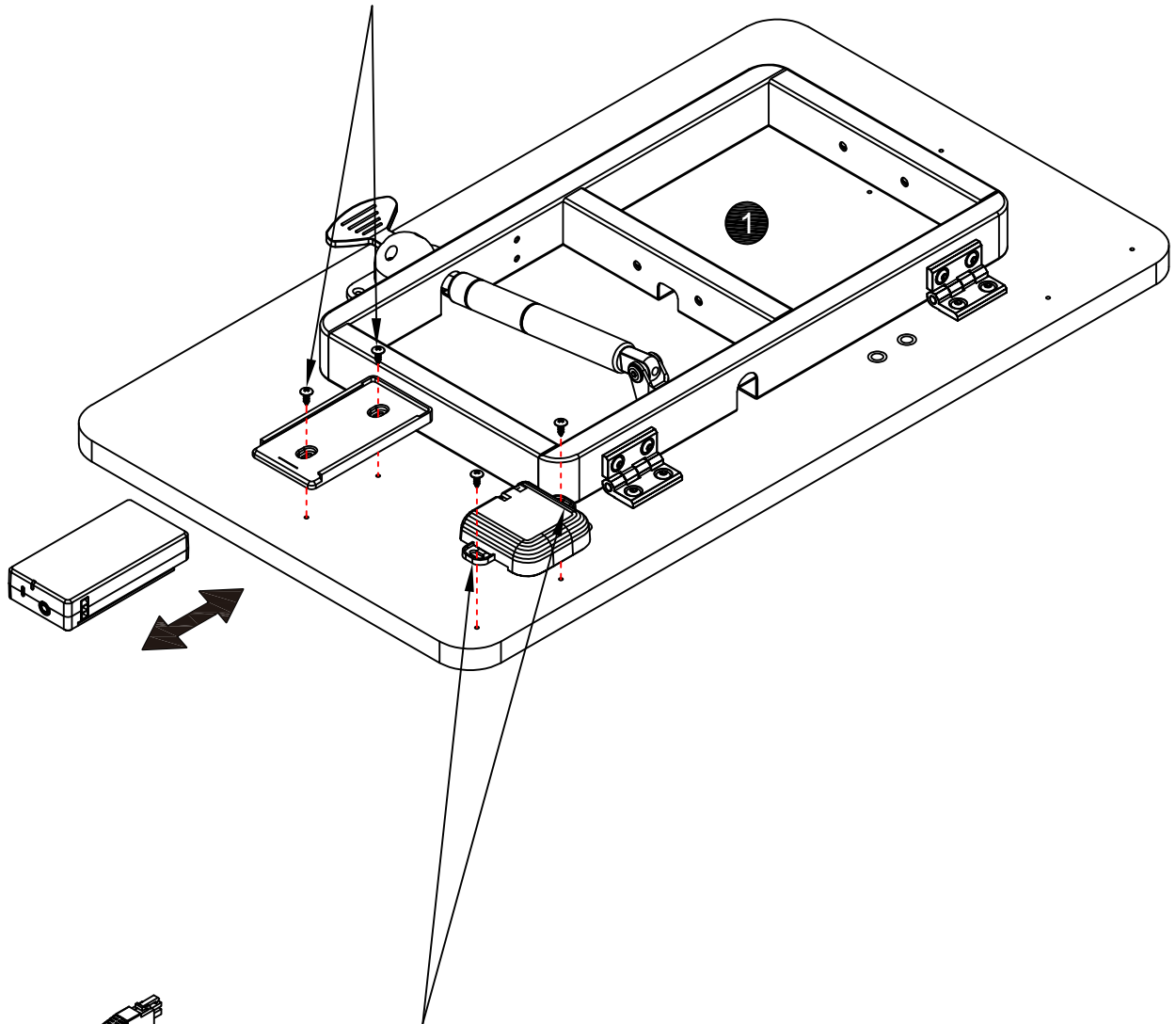
# OPTION 1 : STEP 1



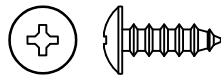
**I.** Battery - 1



**K.** 1/2" Medium Wood Screw - 2



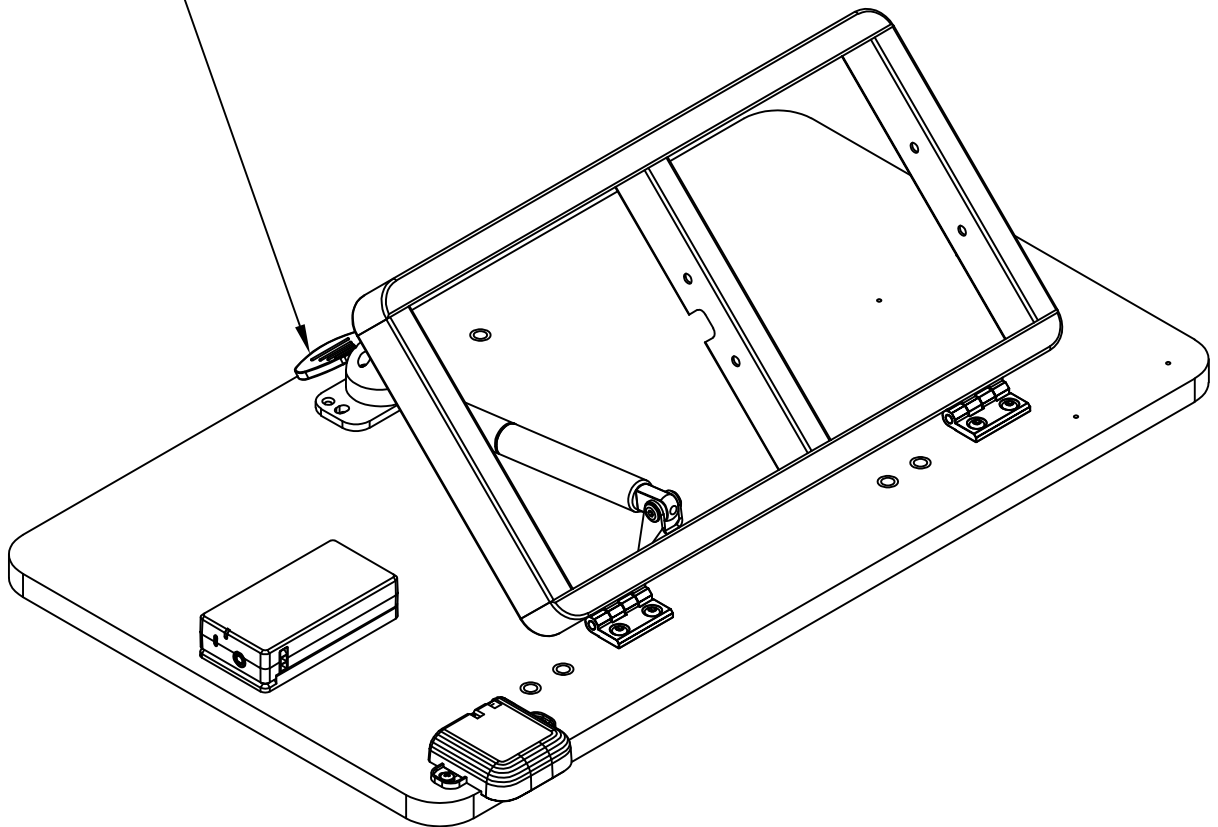
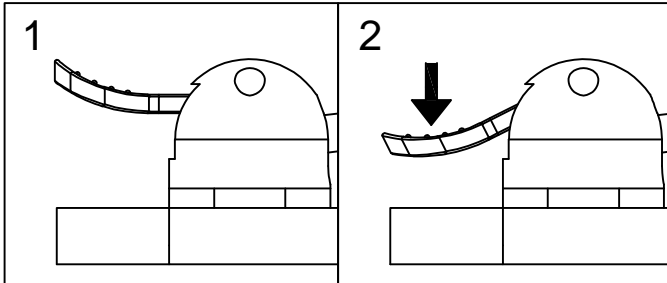
**G.** Control Box - 1



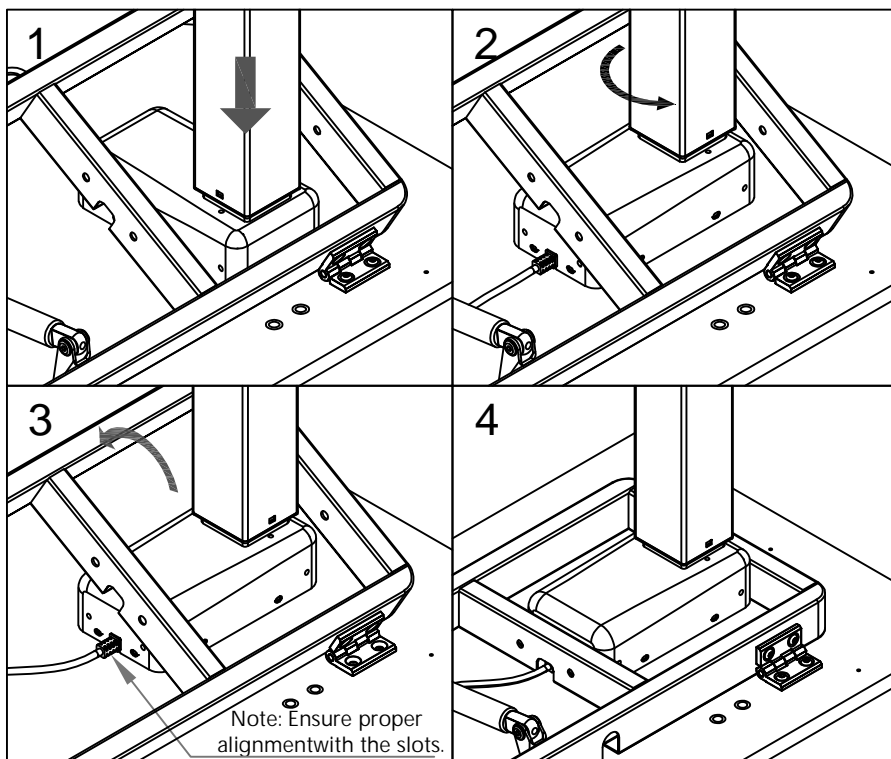
**H.** 9/16" Medium Wood Screw - 2

## OPTION 1 : STEP 2

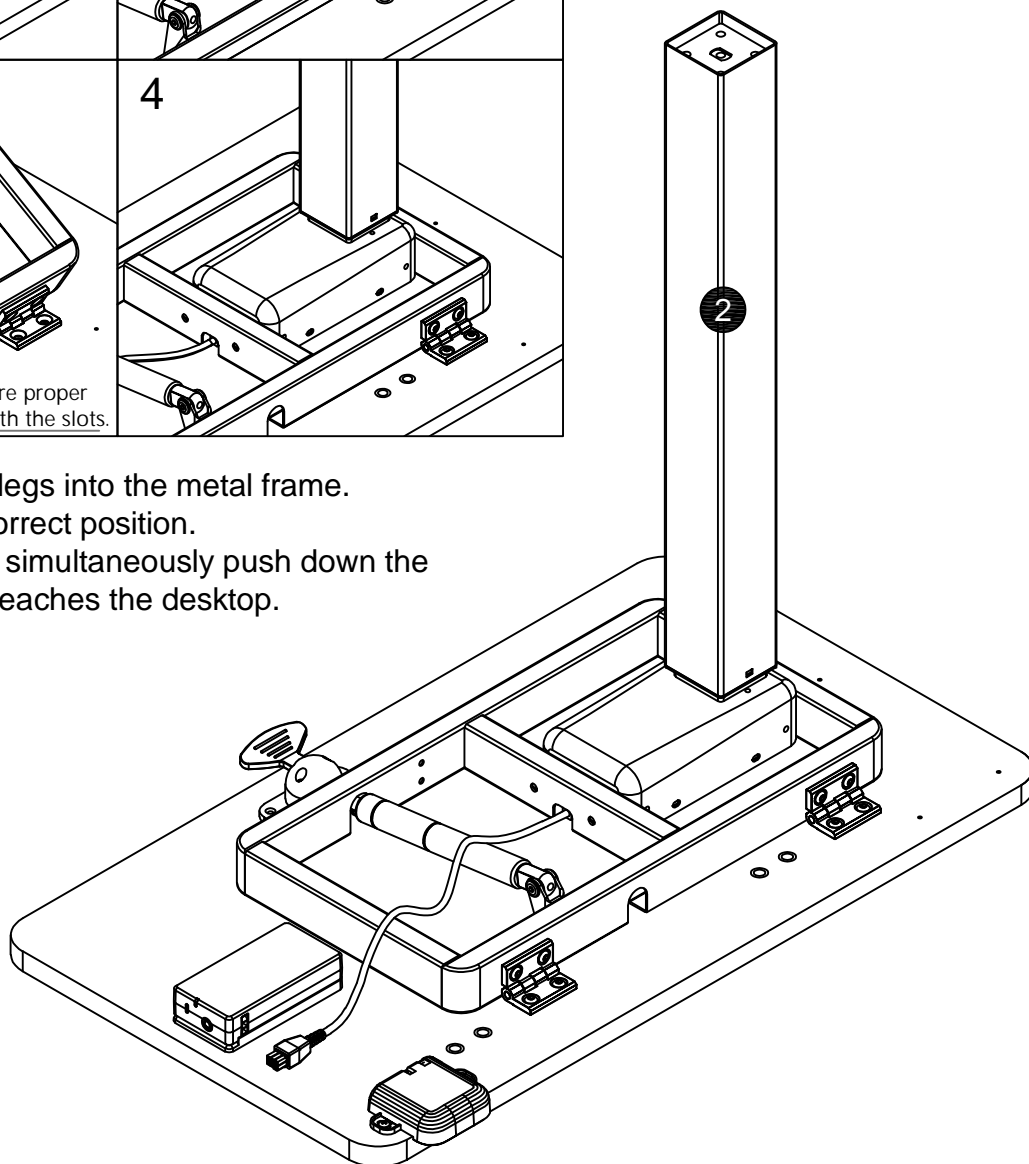
Press the button to raise the tabletop to adjust its position.



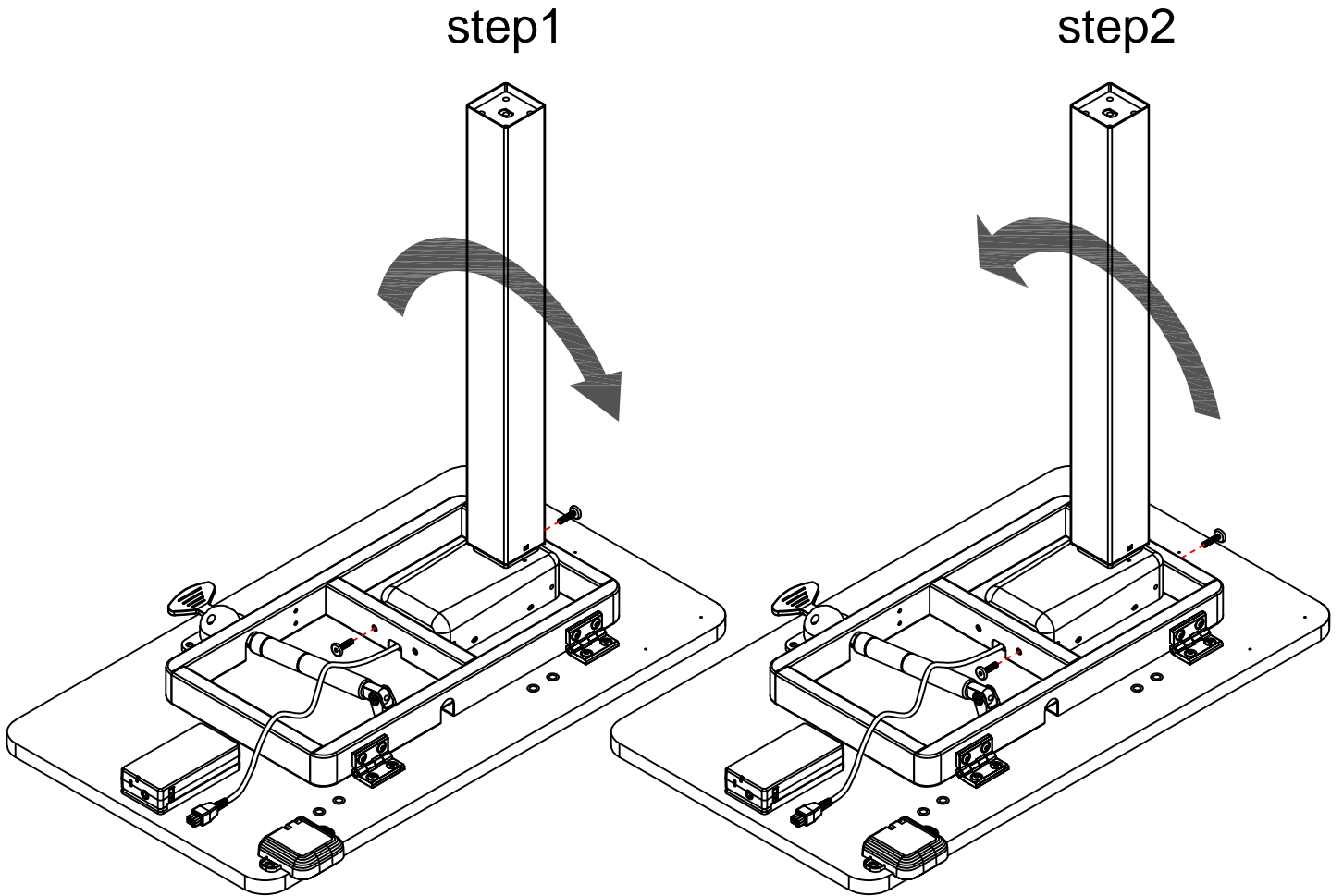
## OPTION 1 : STEP 3



1. Insert the adjustable legs into the metal frame.
2. Rotate them to the correct position.
3. Press the button and simultaneously push down the frame manually until it reaches the desktop.
4. Release the button.

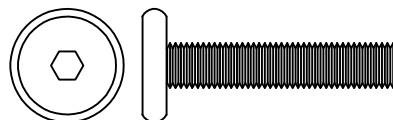


# OPTION 1 : STEP 4

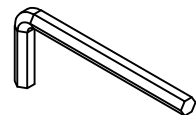


Please follow the arrow indicators and lift the screws approximately 3mm above the holes before aligning and installing them. Once all four screws are installed, tighten them securely.

Note: This step may require careful attention. For any questions, contact customer service for assistance.

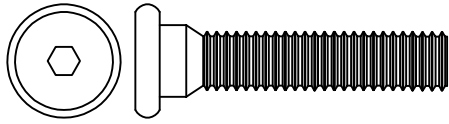


**C.** 1-1/8" Small Machine Screw - 4

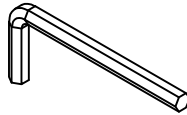


**F.** Wrench - 1

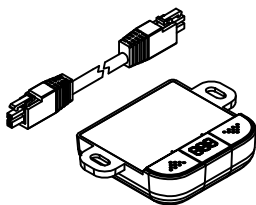
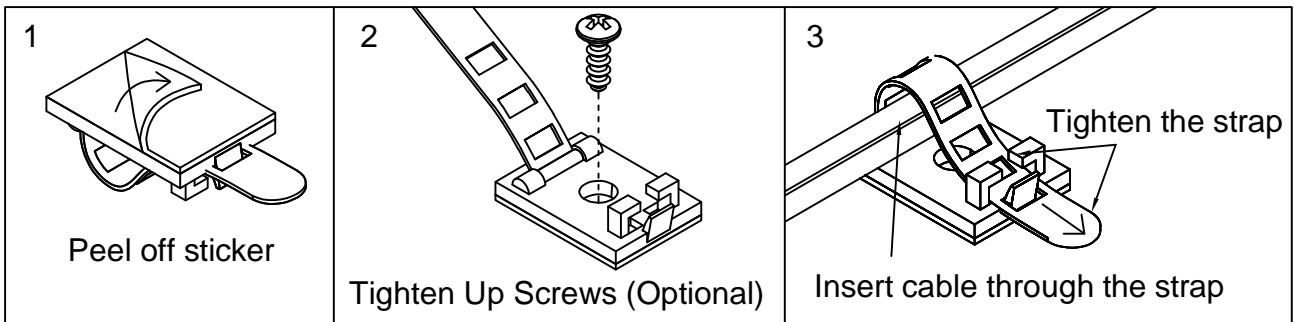
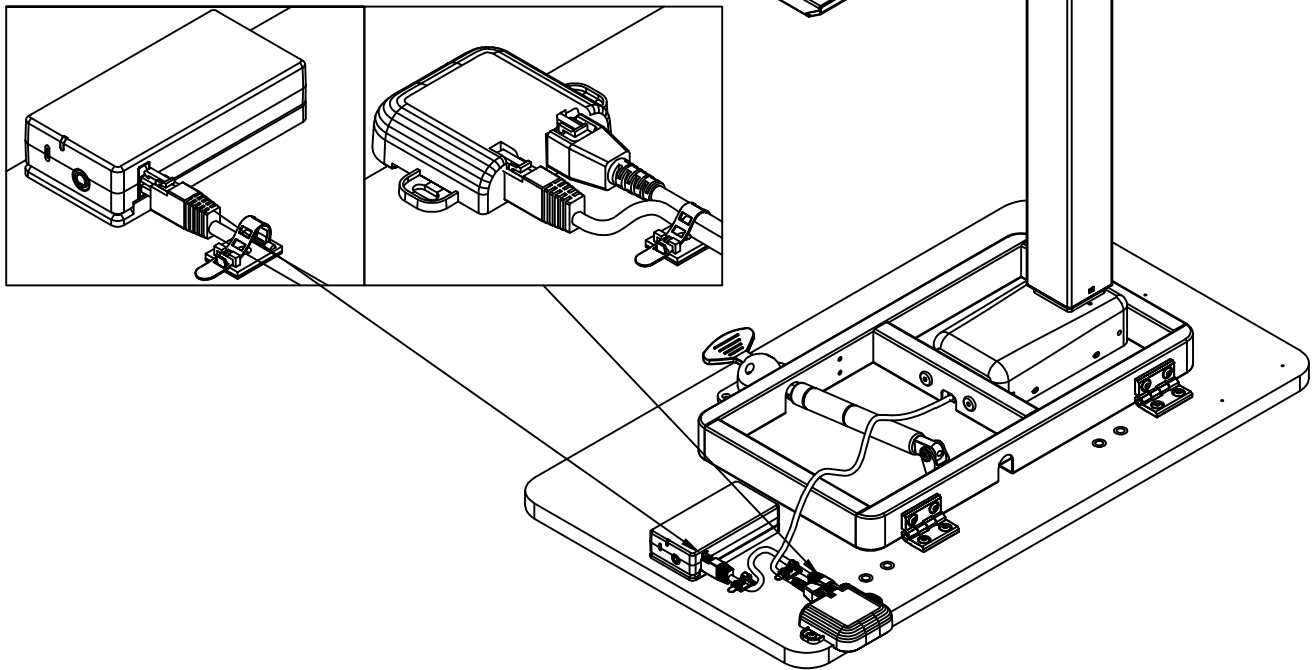
# OPTION 1 : STEP 5



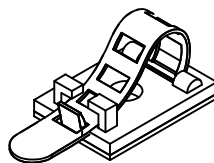
**A.** 1-1/2" Medium Machine Screw - 4



**F.** Wrench - 1



**G.** Control Box - 1

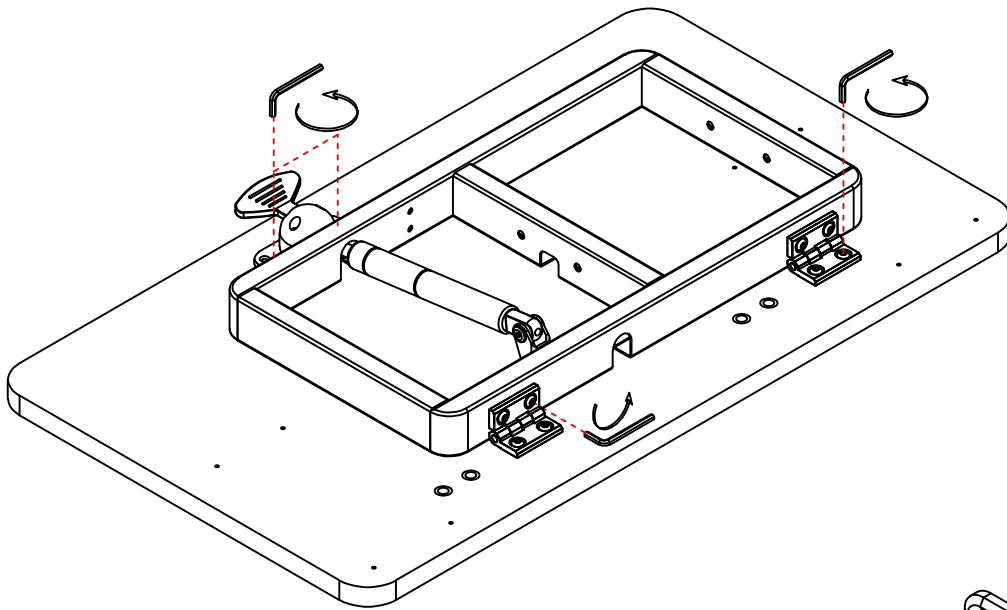


**D.** Self-adhesive Cable Strap - 2

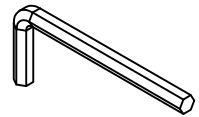


**E.** 1/2" Flat Head Screw - 2

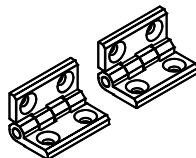
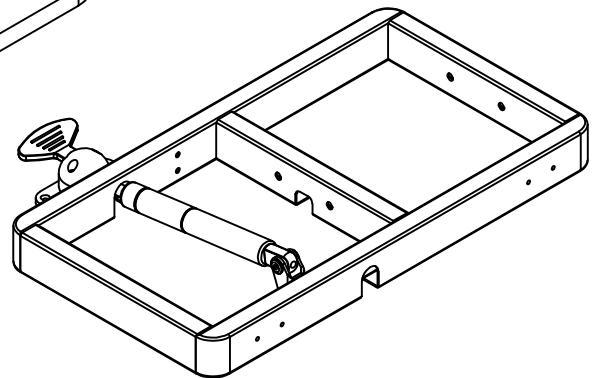
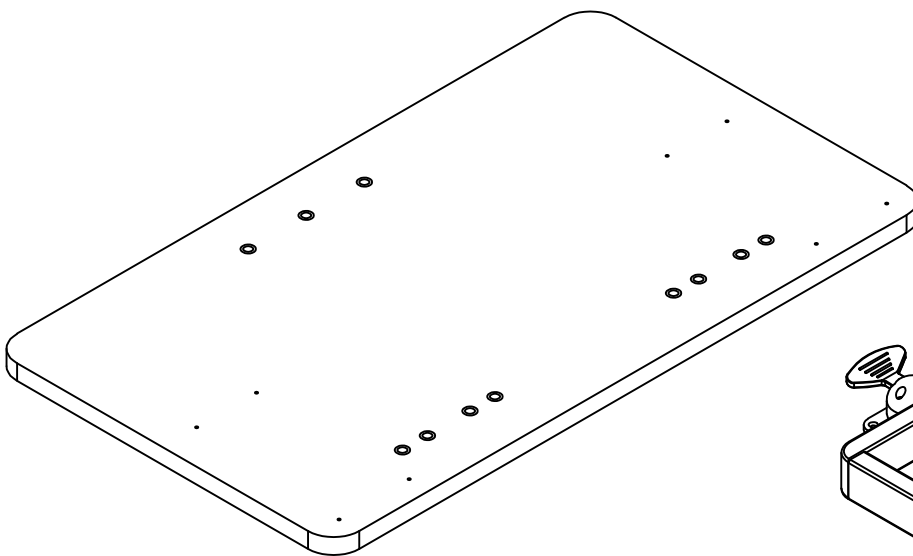
# OPTION 2 : STEP 1



Use the wrench to disassemble the face frame as below



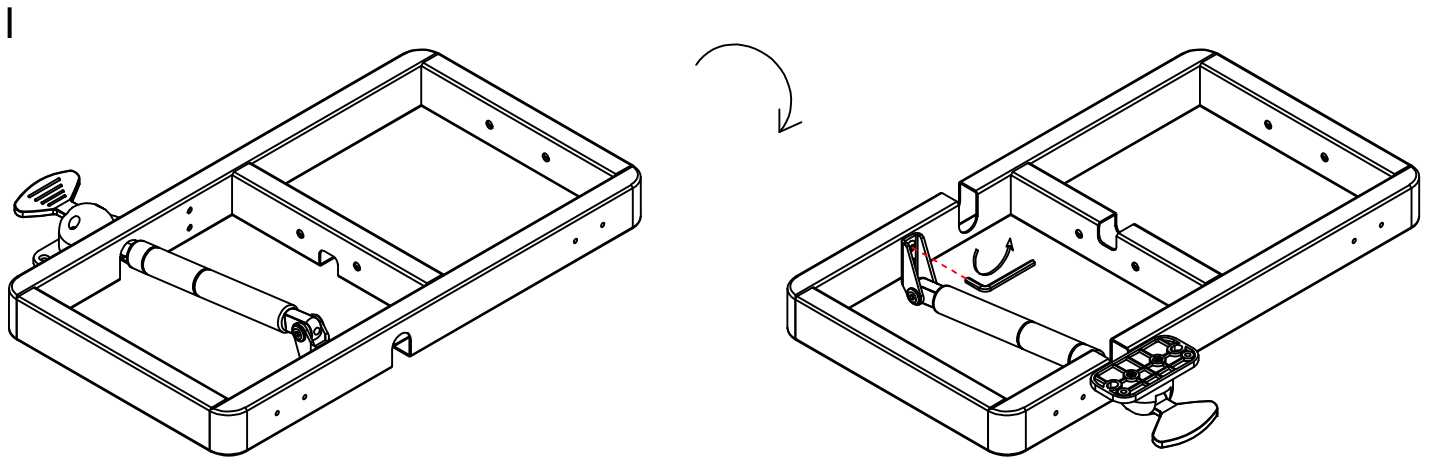
**F.**Wrench - 1



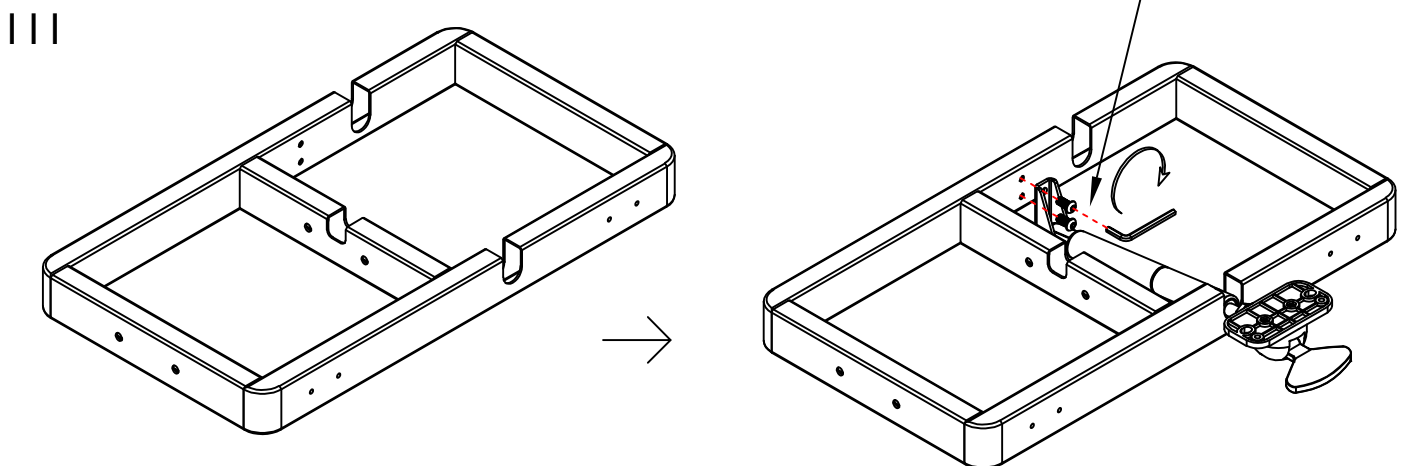
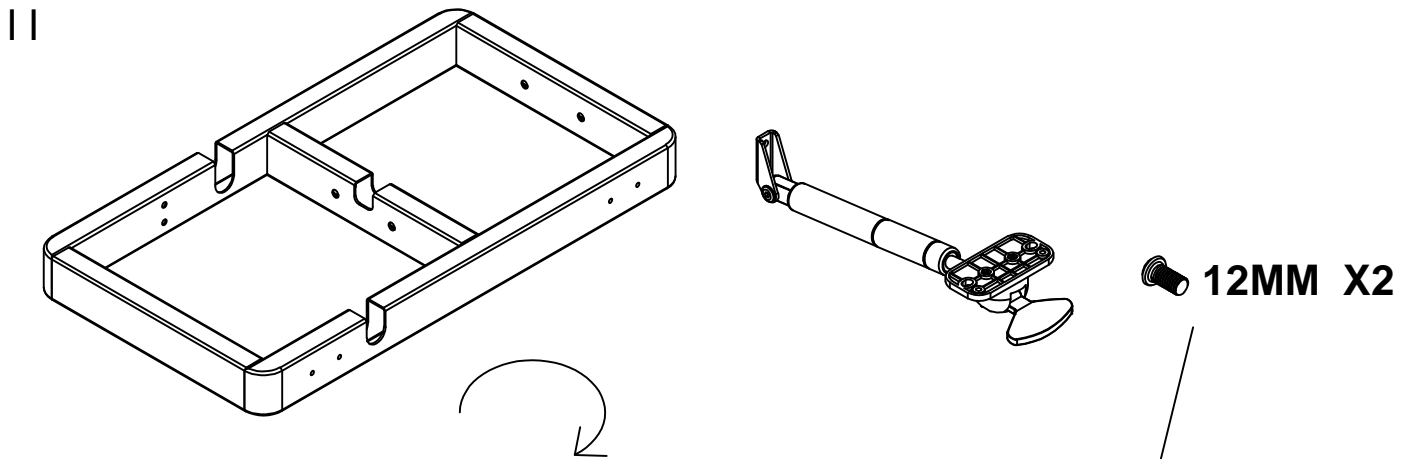
 **12MM X8**

 **16MM X2**

## OPTION 2 : STEP 2



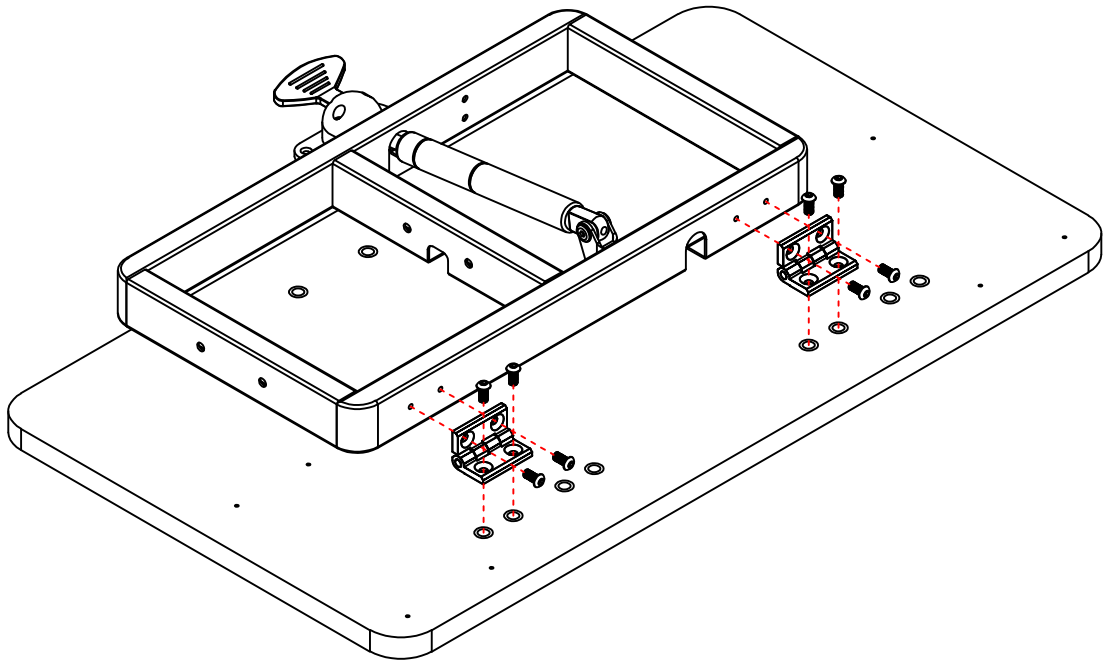
Remove the pneumatic rod from the face frame



Rotate the face frame 180 degrees  
and install the pneumatic rod

F.Wrench - 1

## OPTION 2 : STEP 3

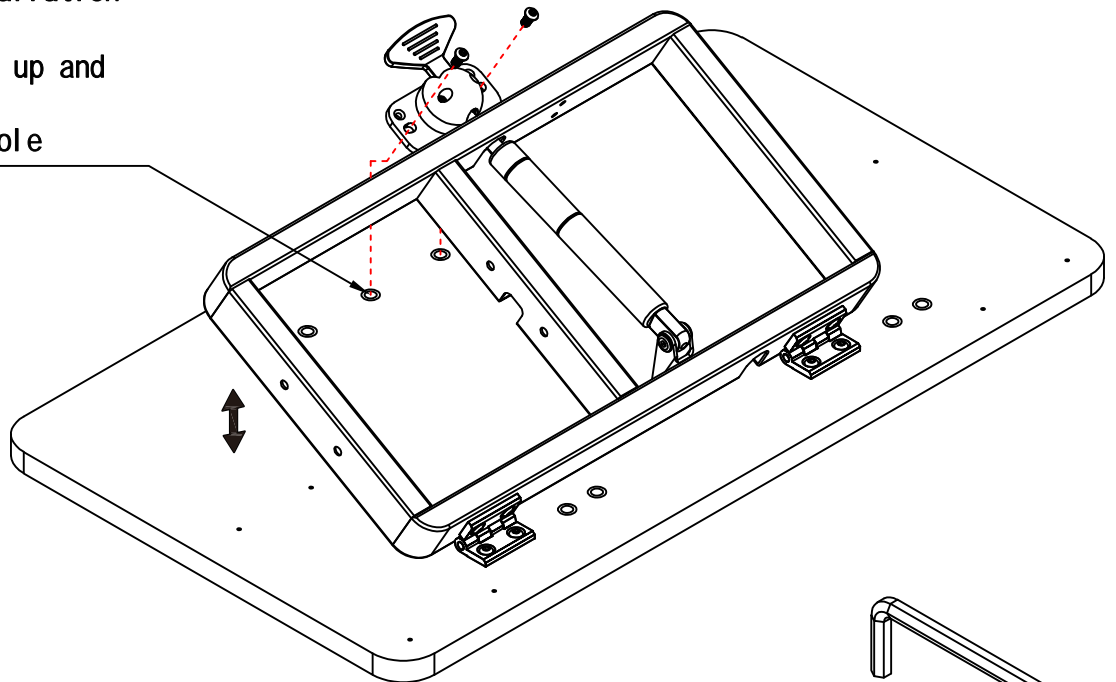


Install the components removed in Step 1 and Step 2 on the panel

 **12MM X8**

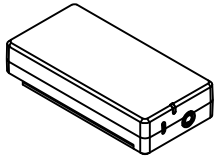
If the pneumatic rod head is accidentally touched during installation (the rod is raised). Turn the face frame up and down to align with the pneumatic rod hole

 **16MM X2**



**F.Wrench - 1**

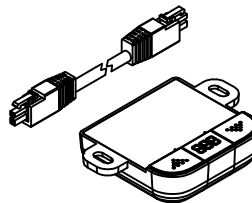
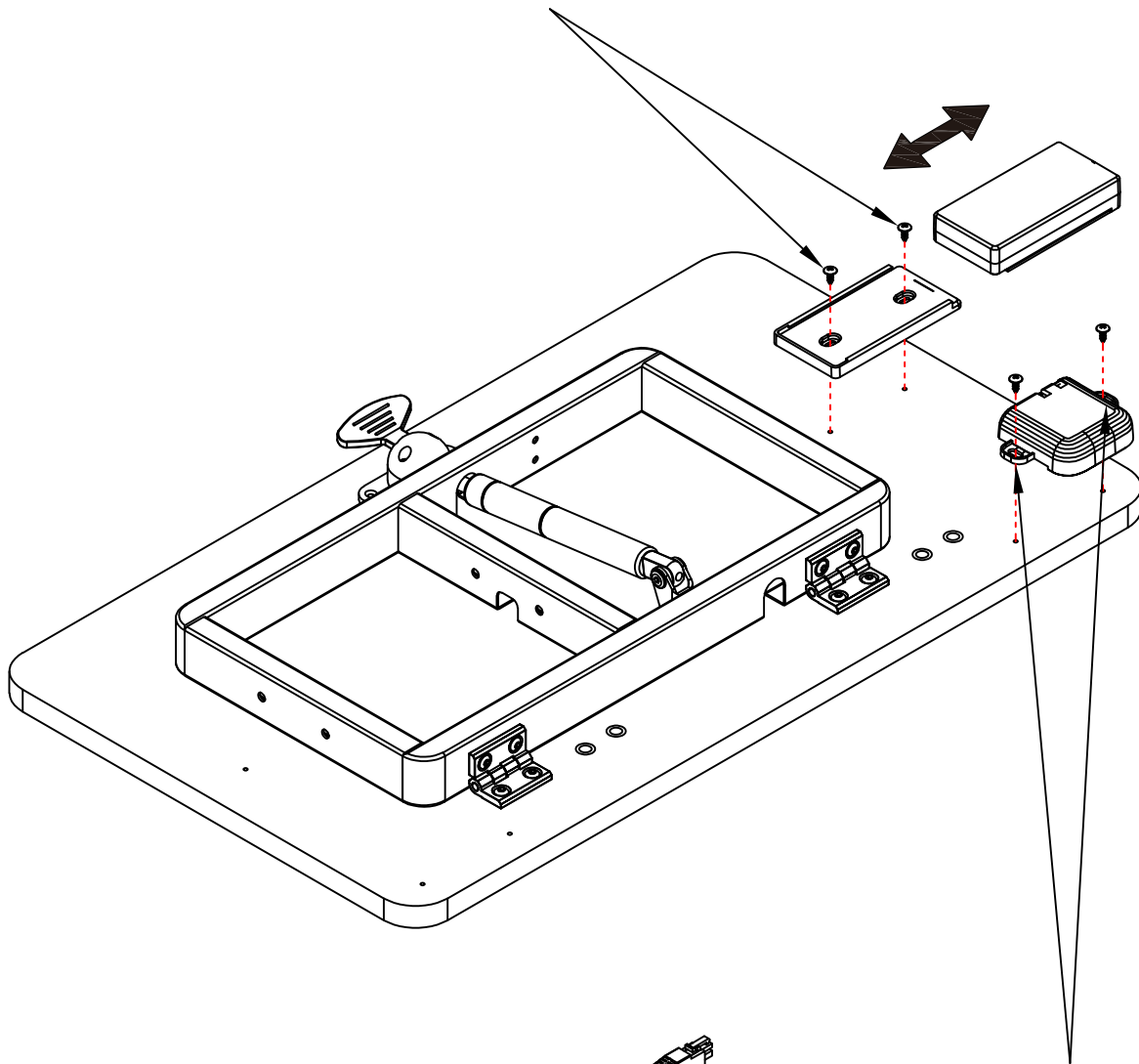
# OPTION 2 : STEP 4



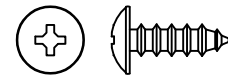
**I.** Battery - 1



**K.** 1/2" Medium Wood Screw - 2



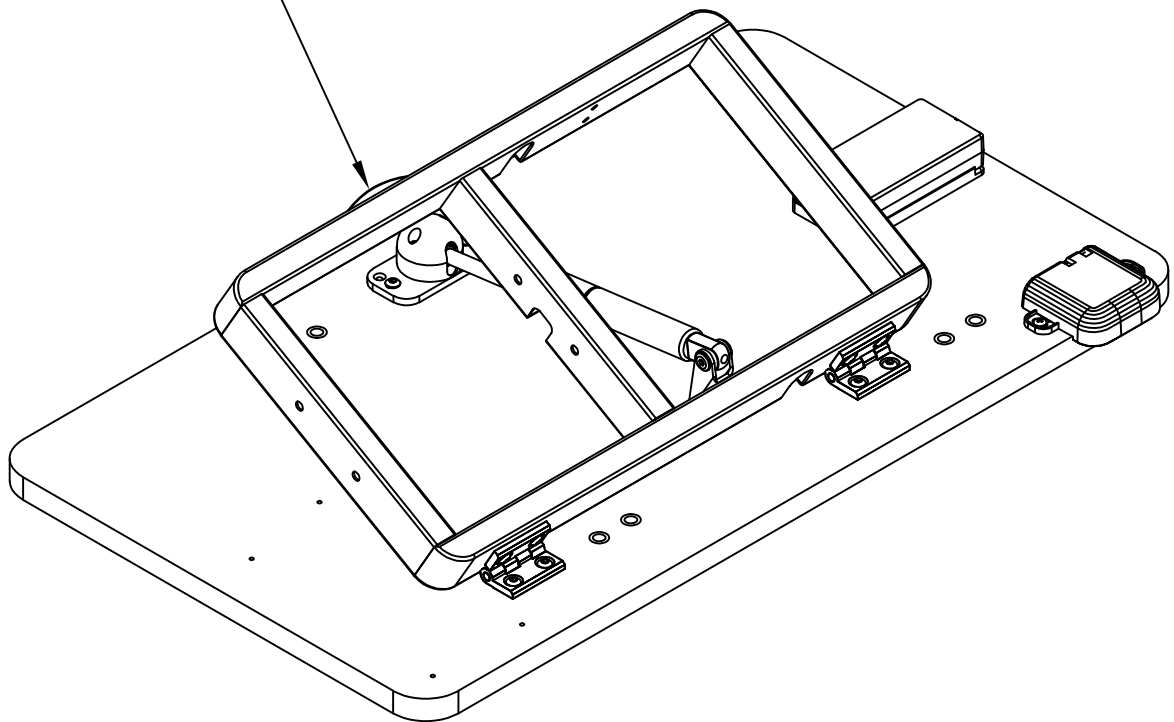
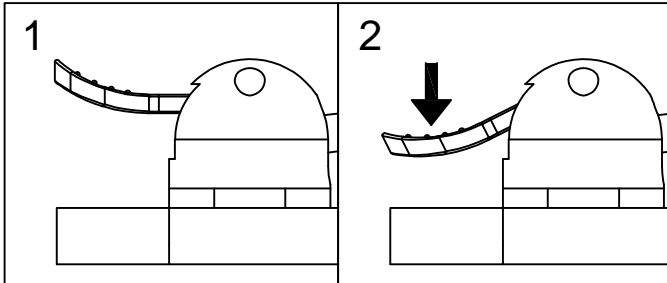
**G.** Control Box - 1



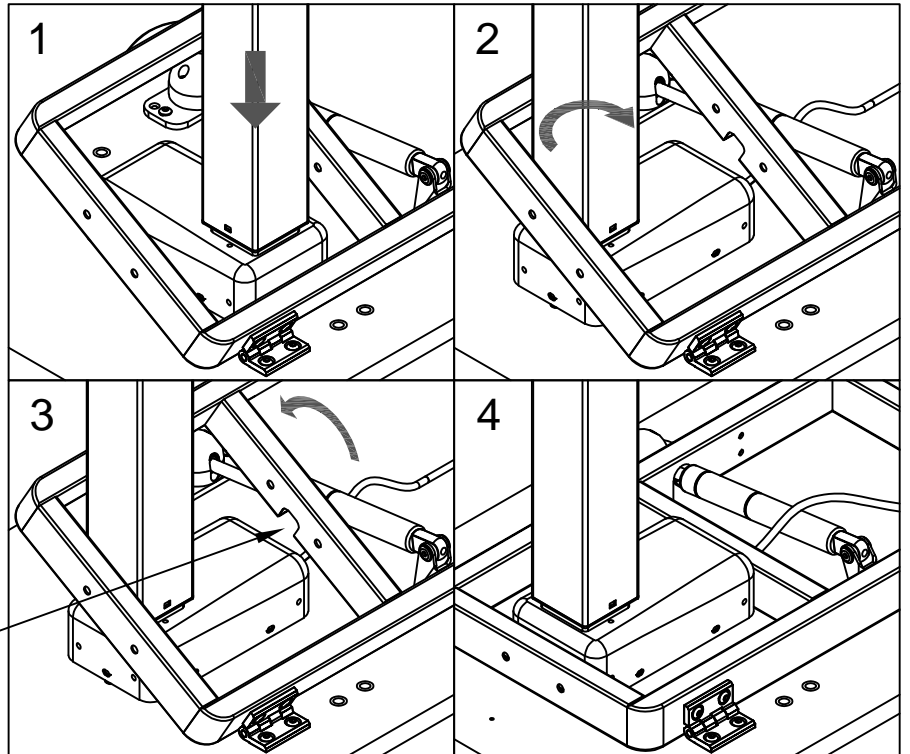
**H.** 9/16" Medium Wood Screw - 2

## OPTION 2 : STEP 5

Press the button to raise the tabletop to adjust its position.

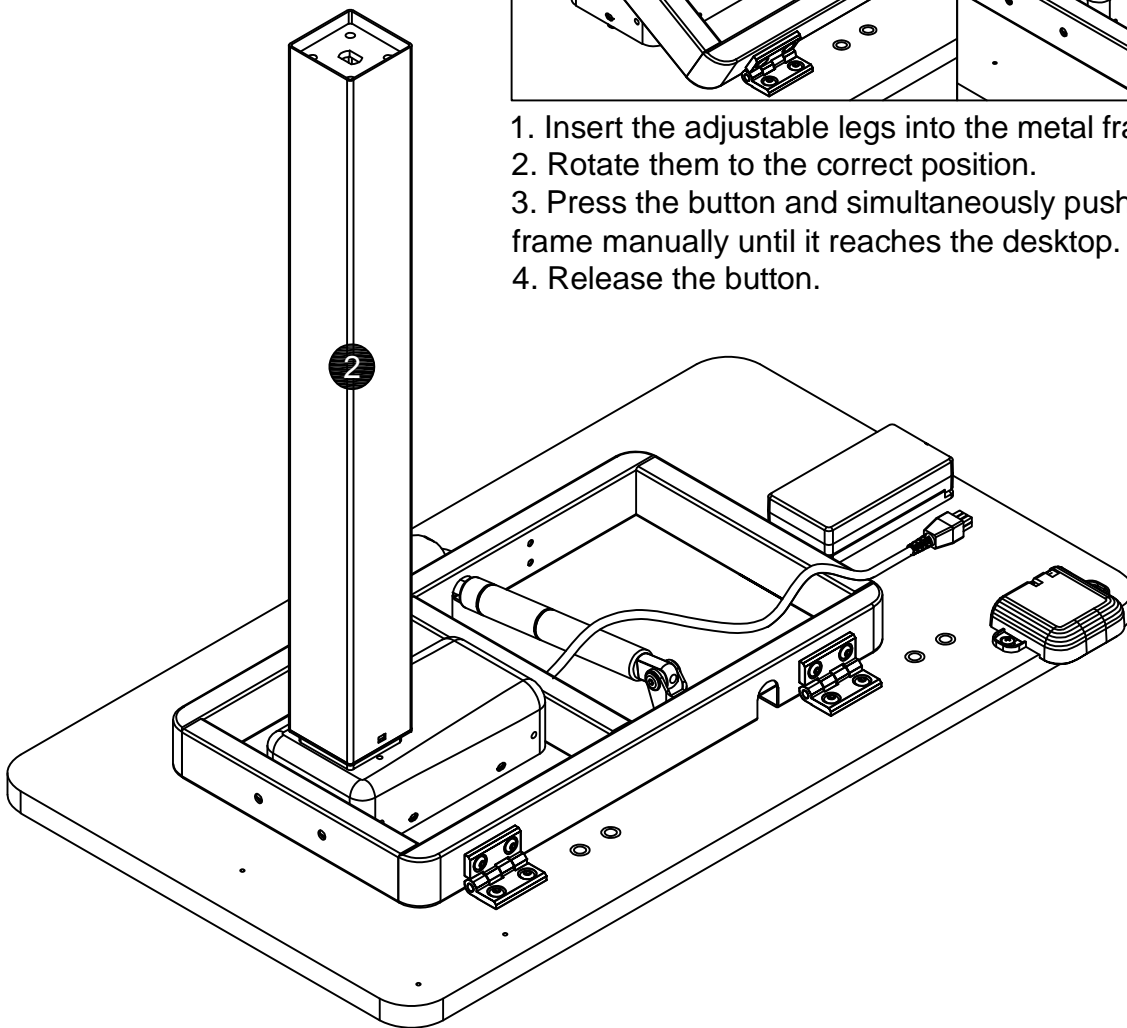


## OPTION 2 : STEP 6

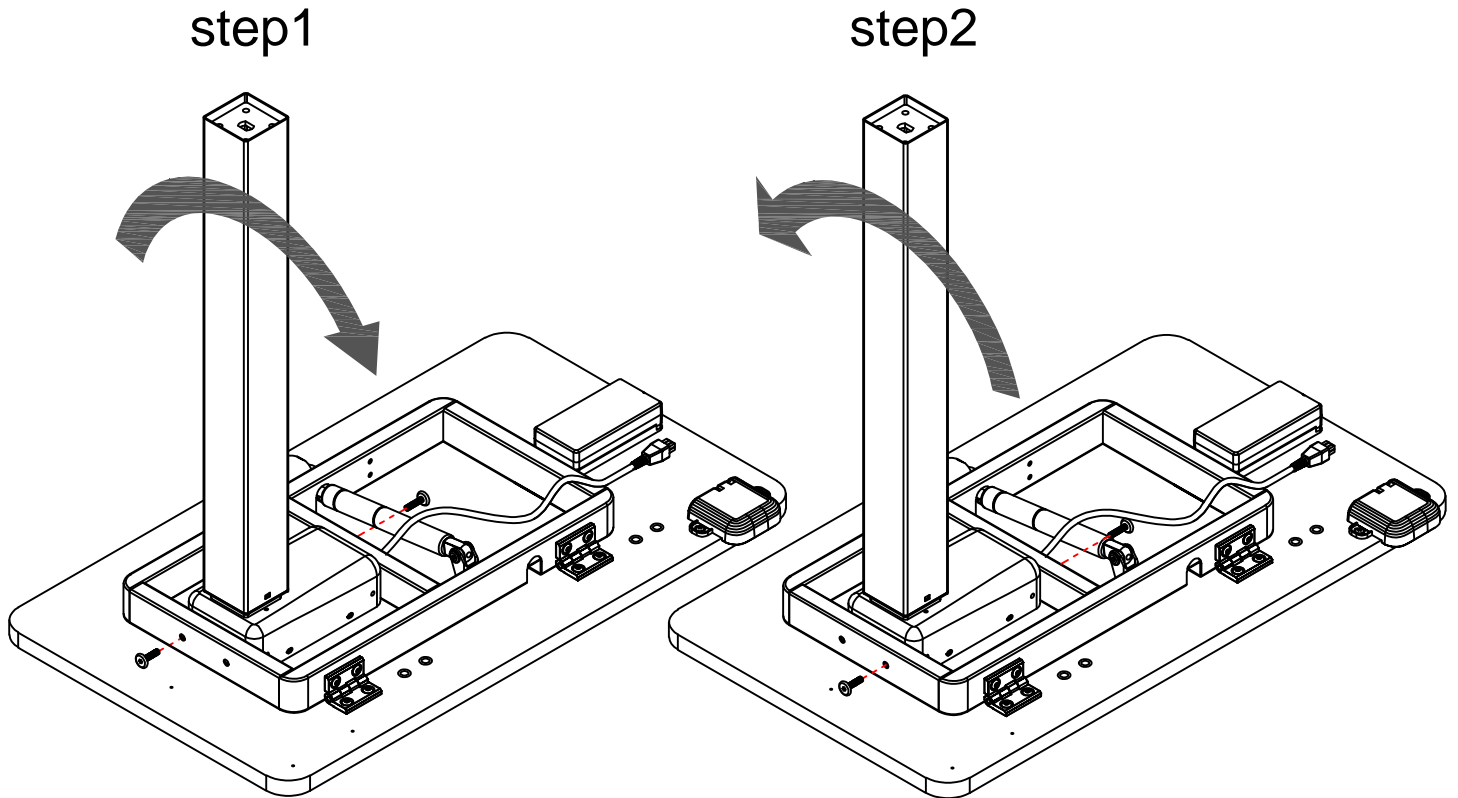


Note: Ensure proper alignment with the slots.

1. Insert the adjustable legs into the metal frame.
2. Rotate them to the correct position.
3. Press the button and simultaneously push down the frame manually until it reaches the desktop.
4. Release the button.

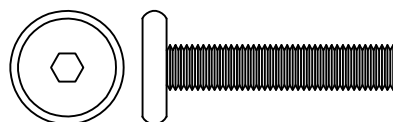


## OPTION 2 : STEP 7

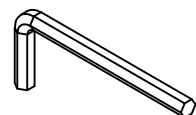


Please follow the arrow indicators and lift the screws approximately 3mm above the holes before aligning and installing them. Once all four screws are installed, tighten them securely.

Note: This step may require careful attention. For any questions, contact customer service for assistance.

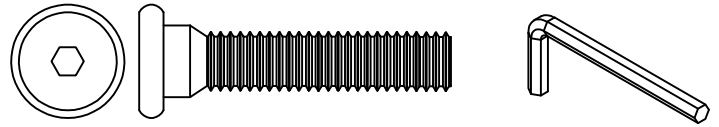


**C.** 1-1/8" Small Machine Screw - 4



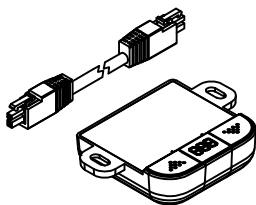
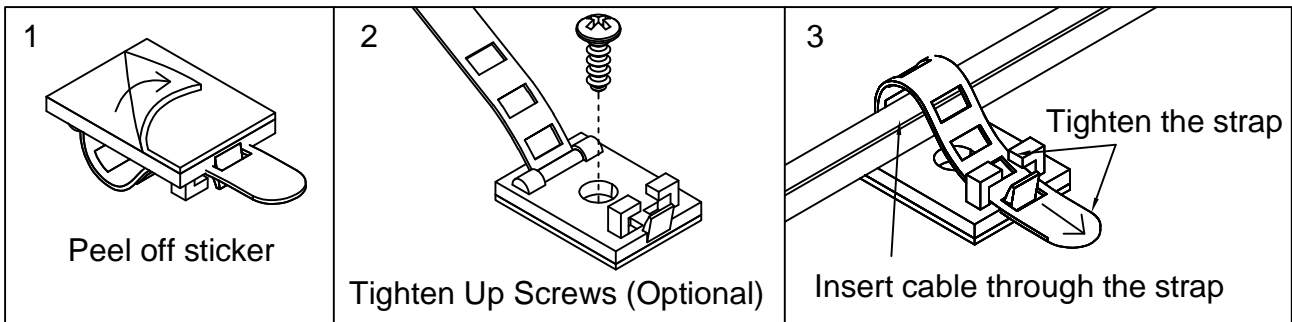
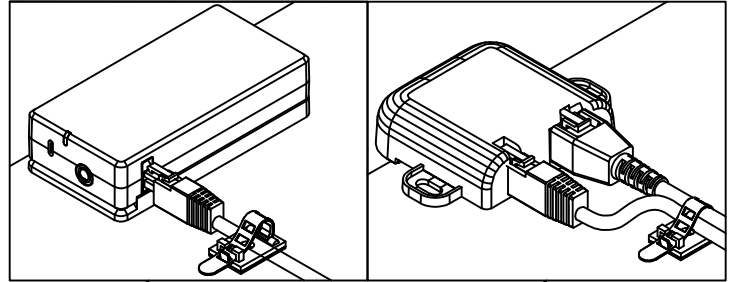
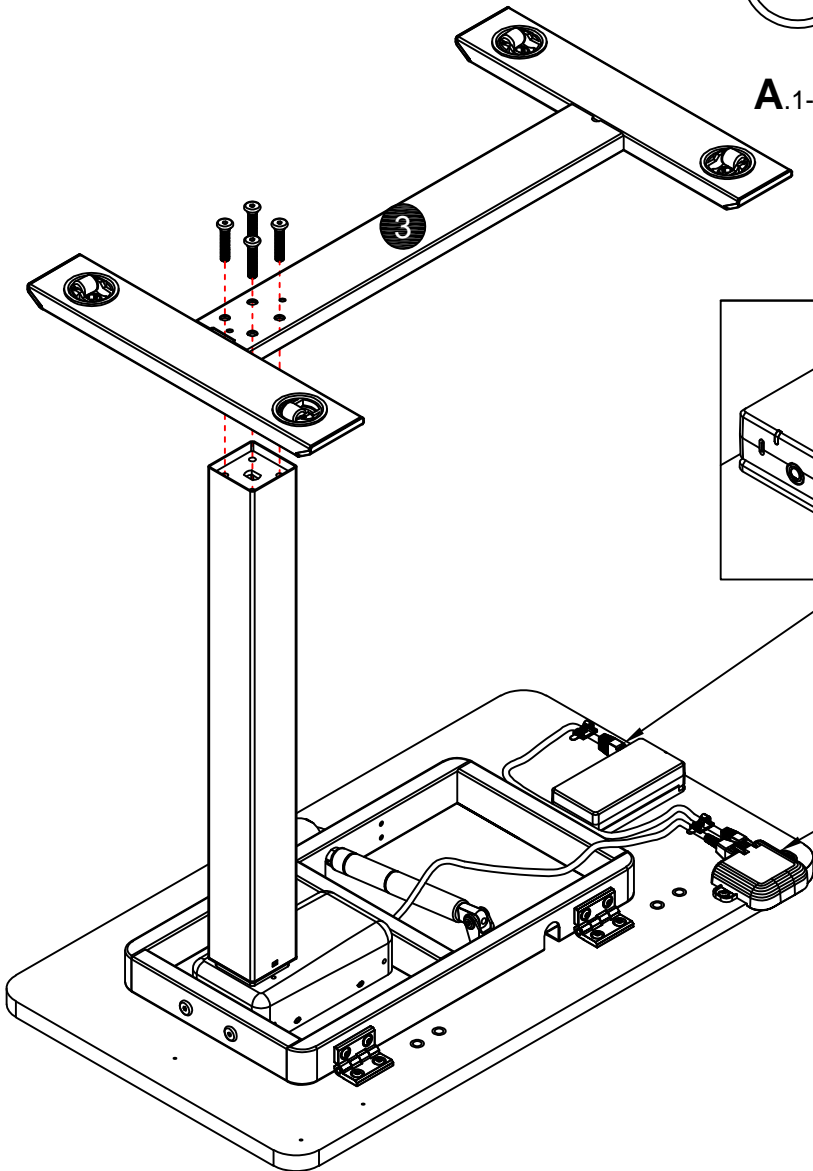
**F.** Wrench - 1

# OPTION 2 : STEP 8

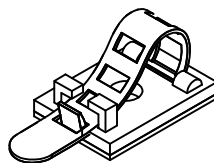


**A.** 1-1/2" Medium Machine Screw - 4

**F.** Wrench - 1



**G.** Control Box - 1

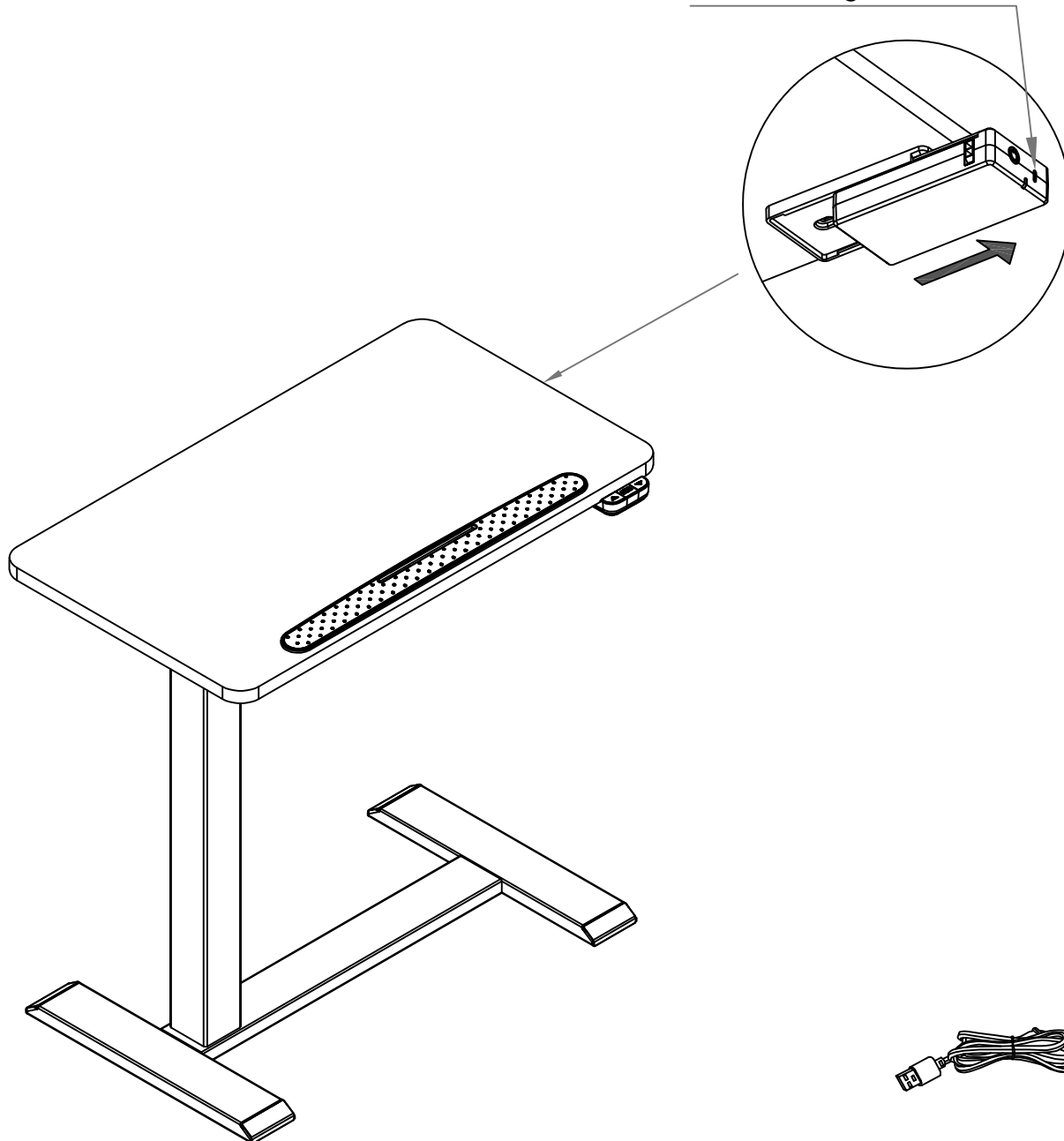


**D.** Self-adhesive Cable Strap - 2



**E.** 1/2" Flat Head Screw - 2

Type C charging port  
You can remove the battery  
for a recharge if needed.

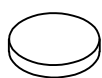
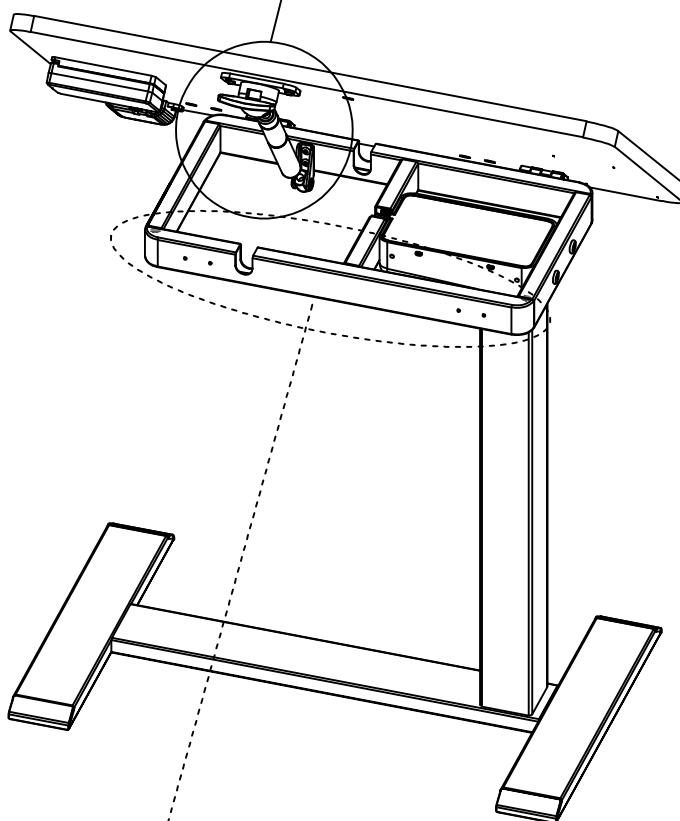
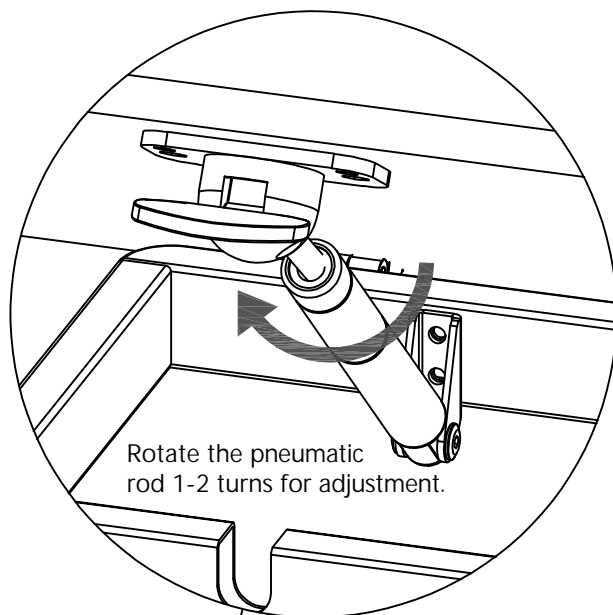
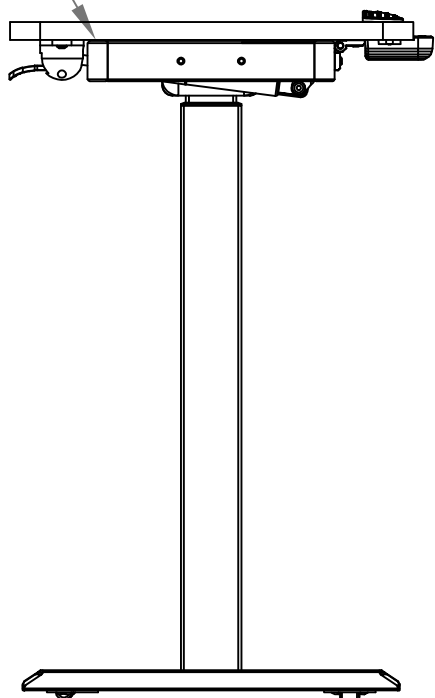


**J.**Type-C USB Cable - 1

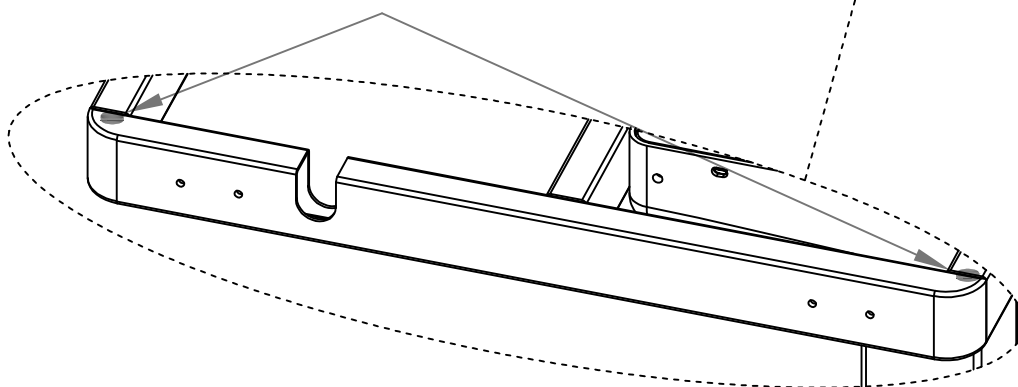
Factory reset is required for first time initialization( Page 21)

# OPERATION

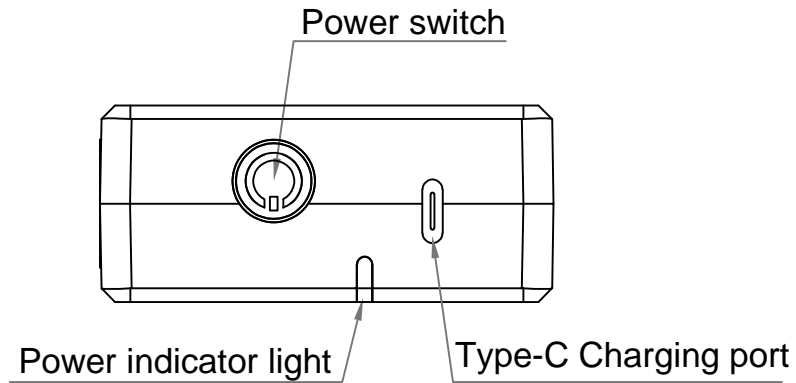
If there is a significant gap after installation, please follow the instructions on the right for adjustments.



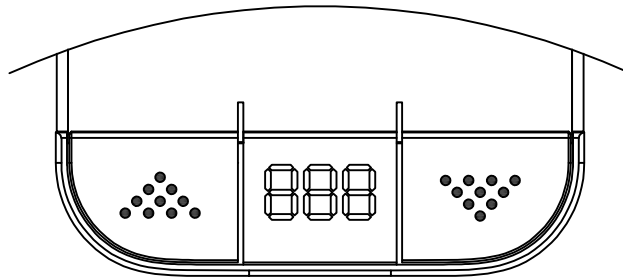
**B.**Cushion - 2



# OPERATION



Operation	Instructions	Remark
Type-C Charging port	Type-C Charging port	This product can be charged using an ordinary mobile phone Type-C charger
Power switch	The key is the power switch, press once ON, and then press once OFF	When the internal circuit detects output power If the current is below 0.5A and lasts for about 5 minutes, the battery will turn off the output
Power indicator light	The blue indicator light will be on when the power output is normal, the indicator is off when the power is off	The key indicator blinks blue during charging(at a frequency of 30Hz). When the battery is low, the key indicator blinks red



## Operating Instructions

### 1.Initial power-on:

Connect the product to the power supply according to the controller nameplate mark. The buzzer will "beep" twice, display "8.8.8.", and then display the current height. If the displayed height does not match the actual height or the height has changed after repeated disassembly, you need to perform a reset operation. Otherwise, it can be used directly according to the factory default.

### 2.Factory Reset:

Release the key when the system has reached the lowest position, release the button and hold the "▽" down button for 5 seconds. Then the system enters reset mode and the display displays RST. If you encounter an emergency during the reset process, you can release the "▽" down button at any time and the table will stop running. Press and hold the "▽" down button again to continue the reset. The buzzer will "beep" once and display the minimum height of the table after the reset operation is completed.

Remark: It will restore factory defaults immediately after the reset operation is completed. When encountering issues, a factory reset can resolve most of the problems. Therefore, it is recommended to run a factory reset when you experience any faults.

### 3.Ascent operation:

Press the "△" up button to raise the table, and release the button to stop.

### 4.Descent operation:

Press the "▽" down button to lower the table, and release the button to stop.

### 5.Menu option operation:

Menu	Menu Page	Setting Page	Default	Remark
Display Unit	P00	00/01	00	00: (CM) 01: (INCH)
Ascent resistance sensitivity	P04	1-10	05	Protection function of ascent obstacle: 0: close 1-10:The larger the number, the less sensitive it is
Descent resistance sensitivity	P05	1-10	05	Protection function of descent obstacle: 0: close 1-10:The larger the number, the less sensitive it is
Long press operation mode	P10	0-1	00	Long press operation mode: 00:Press and hold to run, let go to stop 01:Press and hold for 3S, run to the highest/lowest position

# OPERATION

Press "△" and "▽" for 5 seconds at the same time to enter the menu page. Press the "△" and "▽" keys to switch the menu

The sequence is as follows:

P00 -> P04 -> P05 -> P10

On the menu page, press △ and ▽ at the same time to enter the Setting page. Press the △ and ▽ keys to modify the parameters under the corresponding menu.

Under the Settings page, parameter display. At the same time, press the △ and ▽ keys to confirm the Settings and return to the menu page.

On the menu page, press the △ and ▽ keys for 3 seconds to exit the menu mode and to set and confirm the saved changes to the parameters.

The system automatically exits the menu mode and saves the modified parameters if no operation for more than 5 seconds.

## 6.Eco Mode:

If no operation is performed on the key within 30 seconds, the system enters Eco mode. At this time, the display turns off, the controller enters the low power consumption mode and key commands do not take effect. You can press any key to exit Eco mode.

## 7.Overheat protection:

In order to better protect the motor, after 5 minutes of continuous operation, the system will enter the thermal protection mode. The thermal protection needs to be detected in the shutdown state, and the display screen shows HOT. At this time, other functions of the hand controller are turned off, and the buttons cannot be used.

**Note:** If there is no operation within five minutes, the power will be automatically turned off.

## Fault code table:

When there is a fault, the buzzer will "beep" twice to remind the user that the machine is in a fault state and cannot be used. After the fault is completely cleared, the buzzer will "beep" twice again.

Fault cod	Explain	Solution
E01	No power for motor	Hold the down button for 5 seconds to reset or power off to restart
E03	Motor overcurrent	Hold the down button for 5 seconds to reset or power off to restart
E05	Hall sensor does not work	Plug the Hall port back in Hold the down button for 5 seconds to reset or power off to restart
E08	Rebound protection	In case of abnormal obstacles, check for any obstacles. If the sensitivity is not suitable, please refer to the menu options to adjust the sensitivity Disappears after the rebound
E11	Voltage Insufficient	Hold the down button for 5 seconds to reset or power off to restart

## Attention

- The warranty period of this Lithium battery pack is about one year. Proper use might extend the battery's operating life.
- The battery pack cannot be frozen, insulated or operated for a long time in the operating ambient temperature over 40°C.
- It is not good for the battery's operating life if it is charging when its power runs out fully. Suggest charging the battery pack when the power does not run out.
- Do not deliberately or forcibly make the power of battery run out and charge, for it will reduce the battery pack's operating life
- Before cleaning, you have to unplug the power supply cable. Clean with a slightly damp cloth to wipe away the surface dust. Keep all electrical components away from liquids. Do not damage the connection line and keep the plug in a safe position.
- Inside the control box, there are electronic components, metal parts, plastic parts, wires and so on. They should be disposed in accordance with the local laws and regulations. They cannot be disposed as household waste.
- Before using the product, please make sure the product has been installed correctly.
- Before starting use of the product, please read the instructions to fully understand all the product's functions and settings.
- Keep children away from electric height-adjustable desks, control units and handsets. Manufacturer is not responsible of any damages that result from children's unpredictable behaviour.
- Slight noise caused by the multi wedge belt or brake system will not impact the use of this product.
- Do not use corrosive or abrasive materials to clean this product and please dispose of cleaning solutions in an environmentally friendly manner.
- Understand the risks associated with using this product. Children or those with cognitive impairment should not use this product without supervision.
- If the power supply cord is damaged or broken, it must be replaced by the manufacturer or a relevant specialist to avoid any injuries.
- Please operate in a clean and safe environment. For example, do not left around your tools. And always be careful to deal with packaging materials, in order to avoid any kinds of possible danger. Potential choking risk exists when children play with plastic bags!
- If necessary, retain the original package for future transportation.
- This appliance is not intended for use by persons (including children) with reduced physical, sensory or mental capabilities, or lack of experience and knowledge, unless they have been given supervision or instruction concerning use of the appliance by a person responsible for their safety. Children should be supervised to ensure that they do not play with the appliance. This appliance contains batteries that are only replaceable by skilled persons.

**⚠ WARNING:** This product can expose you to chemicals including Formaldehyde, which is known to the State of California to cause cancer, and lead which is known to the State of California to cause birth defects or other reproductive harm. For more information go to [www.P65Warnings.ca.gov](http://www.P65Warnings.ca.gov).

## Recycling and Disposal



This product cannot be disposed of as household waste. To prevent damage to the environment, this product should be recycled. Please use the relevant recycling systems available to you or contact the distributor or manufacturer for recycling assistance.

This device complies with FCC Part 15 of FCC Rules.

Warning: Changes or modifications to this unit not expressly approved by the party responsible for compliance could void the user's authority to operate the equipment.

NOTE: This equipment has been tested and found to comply with the limits for a Class B digital device, pursuant to Part 15 of the FCC Rules. These limits are designed to provide reasonable protection against harmful interference in a residential installation.

This equipment generates, uses and can radiate radio frequency energy and, if not installed and used in accordance with the instructions, may cause harmful interference to radio communications.

However, there is no guarantee that interference will not occur in a particular installation. If this equipment does cause harmful interference to radio or television reception, which can be determined by turning the equipment off and on, the user is encouraged to try to correct the interference by one or more of the following measures:

- Reorient or relocate the receiving antenna.

- Increase the separation between the equipment and receiver.

- Connect the equipment into an outlet on a circuit different from that to which the receiver is connected.

- Consult the dealer or an experienced radio/TV technician for help.