














# Adirondack Chair-Tall

## Assembly Instructions

### ■ Parts list

	Seat (A) _____	1pc
	Backrest (B) _____	1pc
	Front Left Leg (C) _____	1pc
	Front Right Leg (D) _____	1pc
	Rear Legs (E) _____	2pcs
	Left Armrest (F) _____	1pc
	Right Armrest (G) _____	1pc
	Side Supports (H) _____	2pcs
	Front Support (I) _____	1pc
	Back Supports (J) _____	2pcs
	Bolt-and-nut-sets(K) _____	16pcs
	Hex Lag Screw (L) _____	2pcs
	Screws (M) _____	14pcs

### ■ Remarks

- We highly recommend wearing safety goggles during assembly.
- Unpack all parts on clean soft surface to prevent scratching of paint.
- Do not completely tighten screws until the chair is fully assembled on a level surface.

### ■ How to assemble

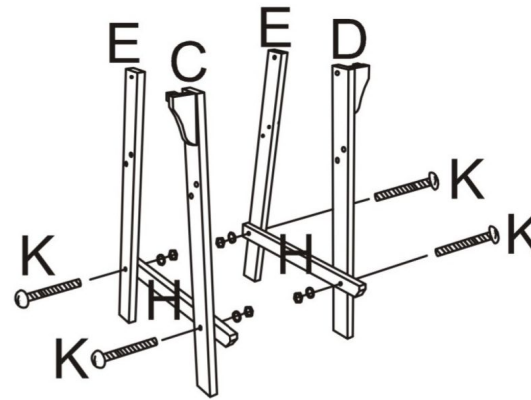


Fig. 1  
Attach Front Left Leg (C) and Front Right Leg (D) and Rear Legs(E) to the Side Supports(H) using 4pcs Bolt-and-nut-sets(K) as shown in photo above. Do Not over tighten until chair is completely assembled.

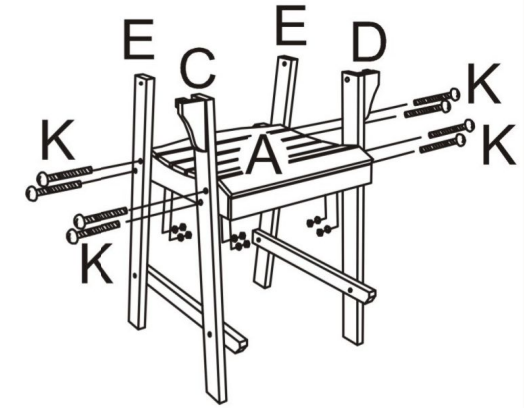


Fig. 2  
Attach Front Left Leg (C) and Front Right Leg (D) and Rear Legs(E) to the Seat (A) using 8pcs Bolt-and-nut-sets (K) as shown in photo above. Do Not over tighten until chair is completely assembled.

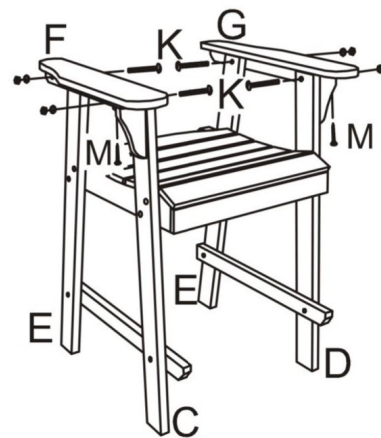


Fig. 3  
Attach Left Armrest (F) to Front Left Leg (C) and Rear Leg(E) using 2 pcs Bolt-and-nut-sets (K) and 1 pc Screw(M). Attach Right Armrest (G) to Front Right Leg (D) and Rear Leg(E) using 2 pcs Bolt-and-nut-sets (K) and 1 pc Screw(M) as shown in photo above. Do Not over tighten until chair is completely assembled.

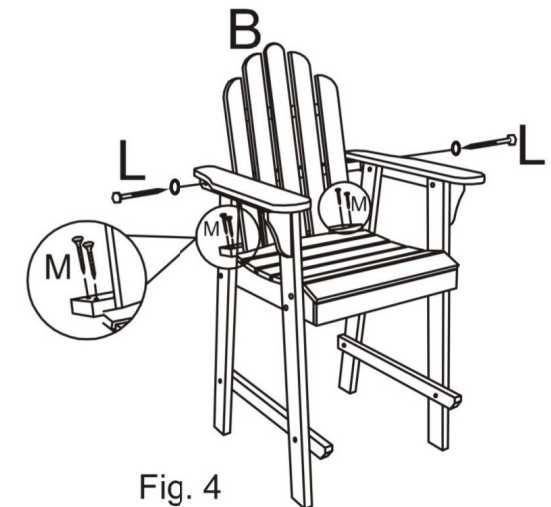
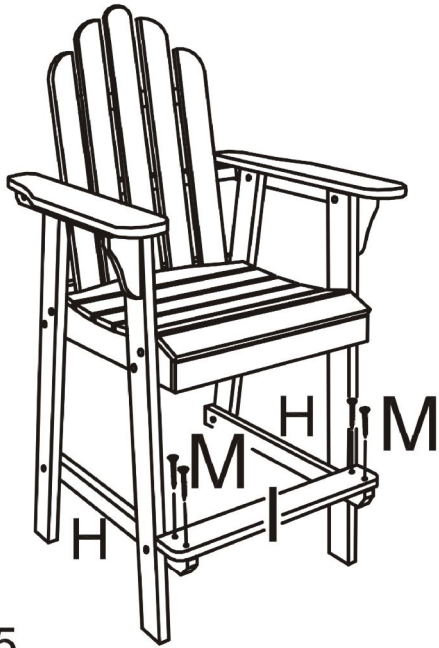
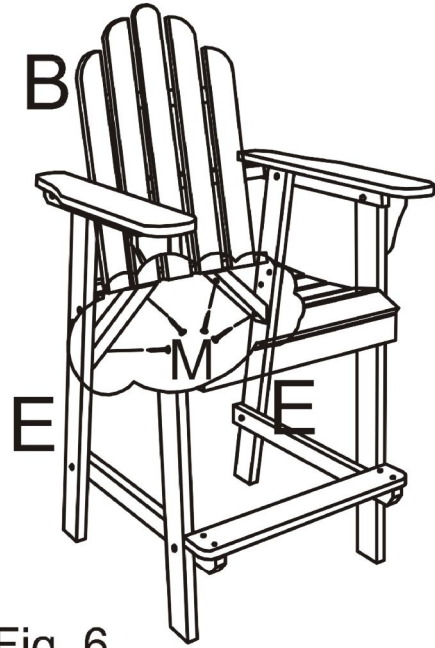


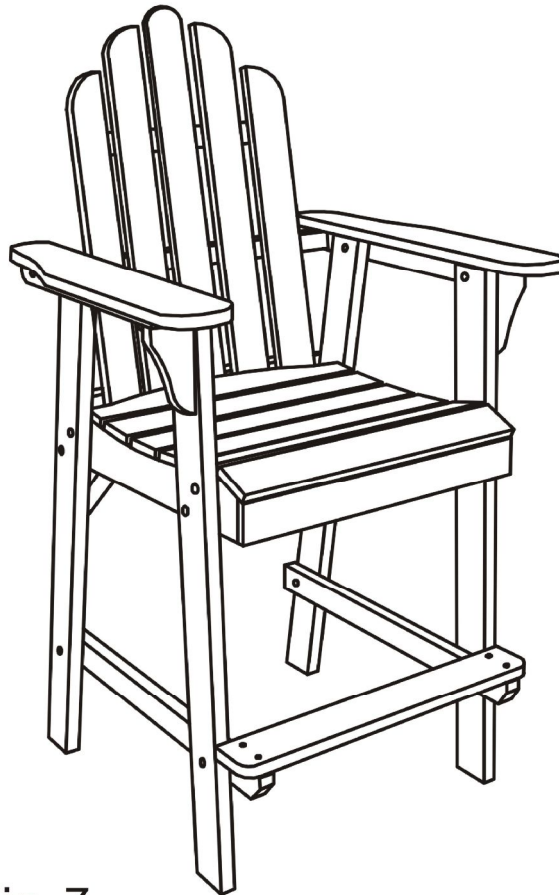
Fig. 4  
Attach the Backrest(B) on the armrest and seat using 2 pcs Hex Lag Screw (L) and 4 pcs Screws(M). Tighten all bolts and screws.



**Fig. 5**  
 Attach the Front Support(I) to the Side Supports(H) using 4 pcs Screws(M) as Shown in photo above.



**Fig. 6**  
 Attach the Back Supports(J) to the Rear Legs(E) and Backrest(B) using 4 pcs Screws(M) as shown in photo above.



**Fig. 7**  
 Assembly complete.