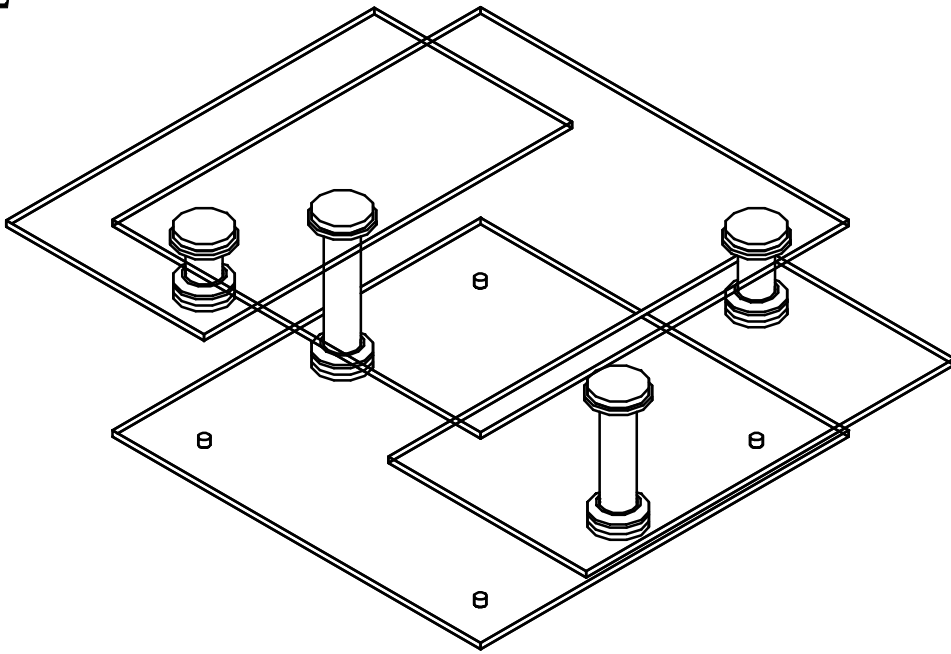
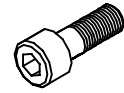


8052



A (M16X30) X4



B (M16) X4



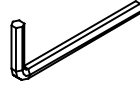
C (M6X12) X16



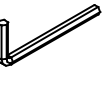
D (M6) X16



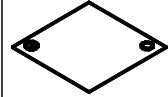
E (M16) X1



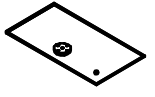
F (M6) X1



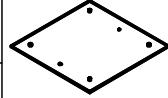
① X1



② X2



③ X1



④ X1



⑤ X1



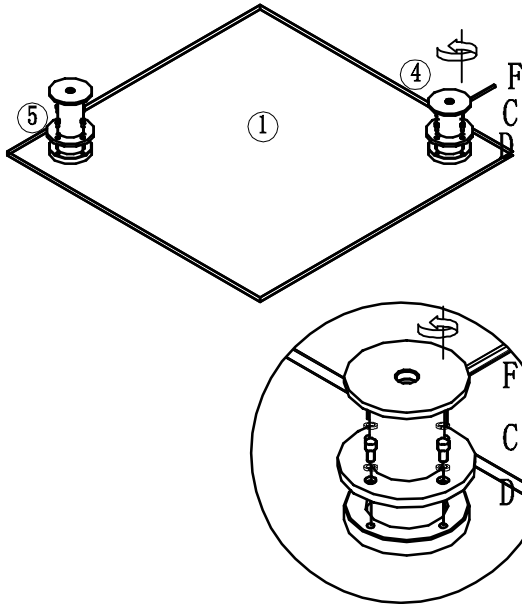
⑥ X1



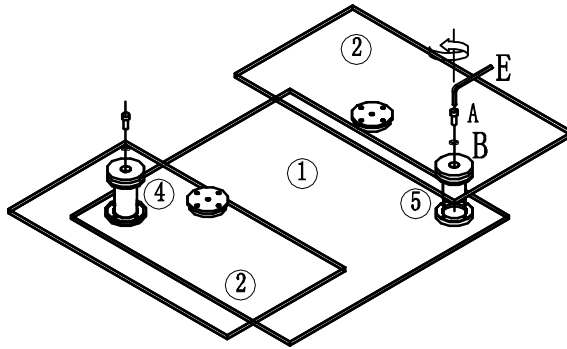
⑦ X1



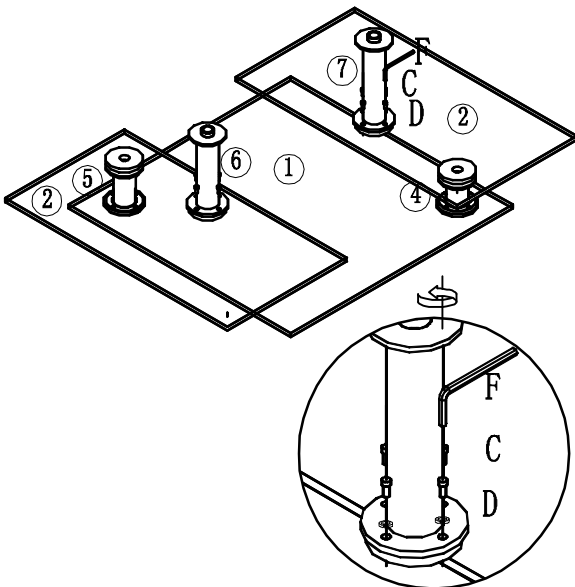
1



2



3



4

