






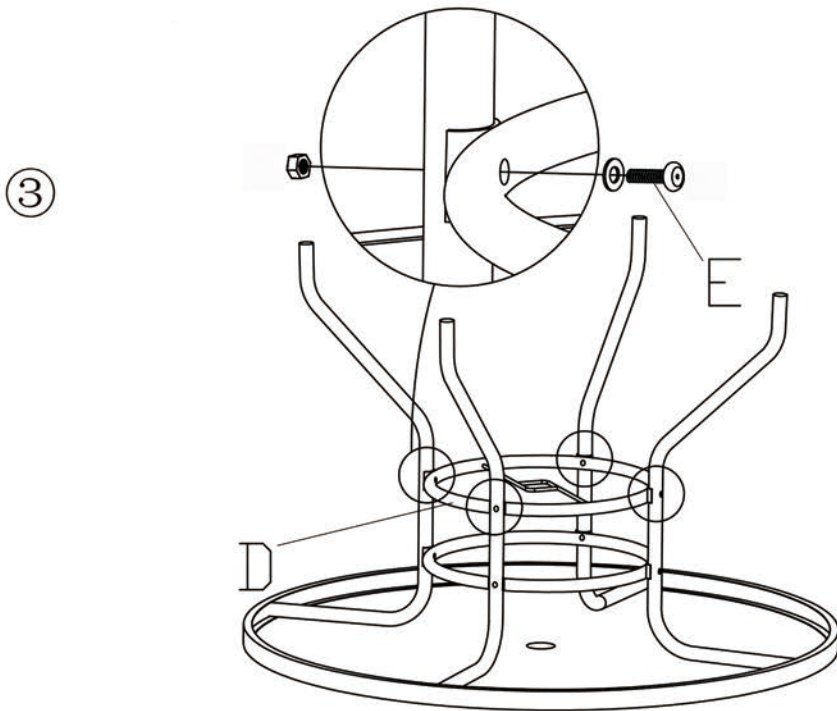
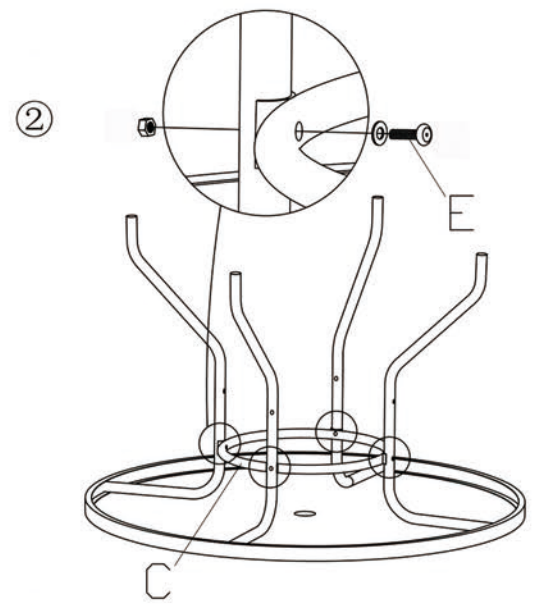
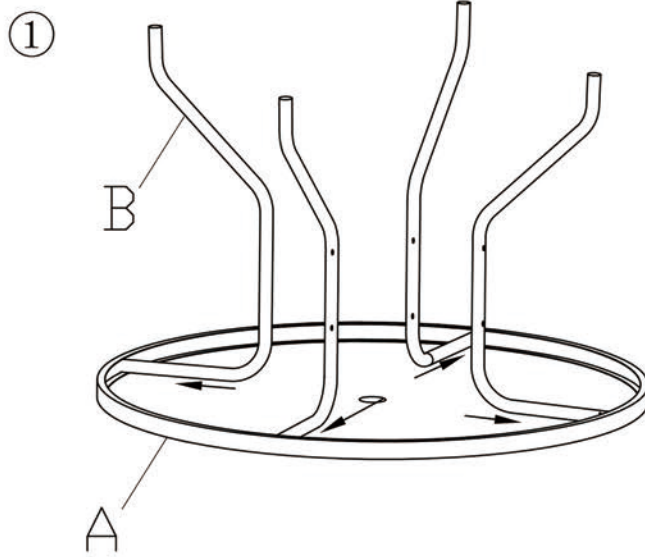
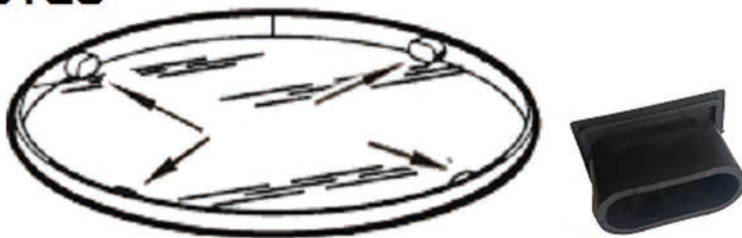


A		1
B		4
C		1
D		1
E	 M6*53	8
F		1
G		1



NOTES



As shown in the figure: The red arrow component (the pipe sleeve connected to the table leg on the table frame) is not fixed and can be moved left and right according to the foot tube. If there is a deviation during the assembly process, this sleeve can be moved for adjustment.