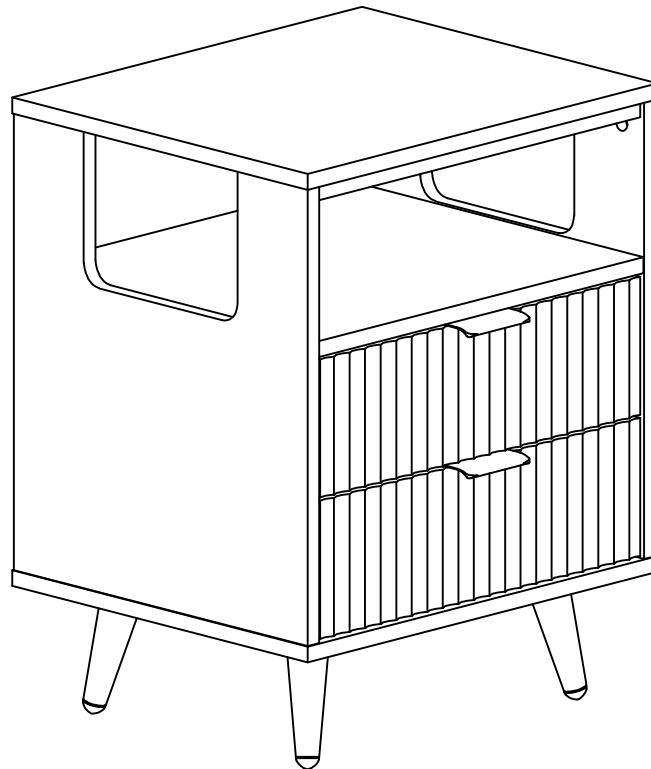




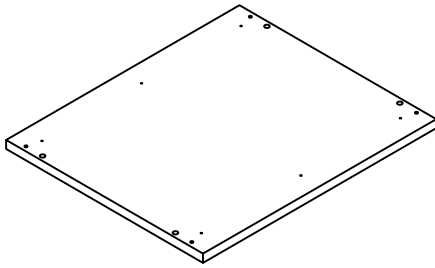
Installation Instruction

Please don't tighten the screws completely and go back later for a final tightening of all the screws after pieces are aligned with each other.

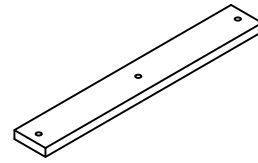


MADE IN CHINA

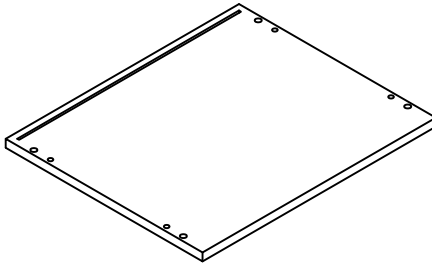
HARDWARE LIST



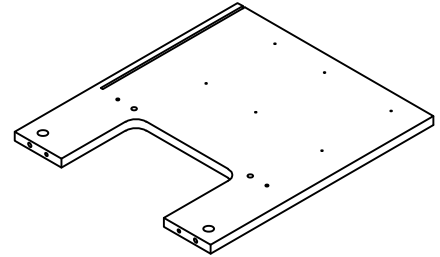
① ×1PCS



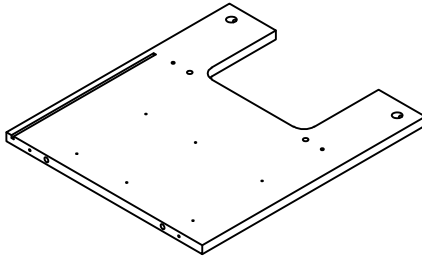
② ×2PCS



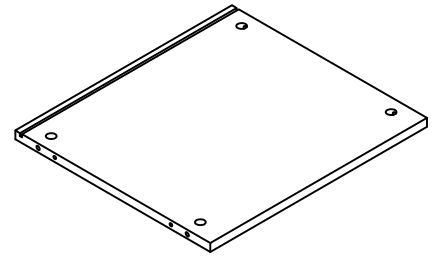
③ ×1PCS



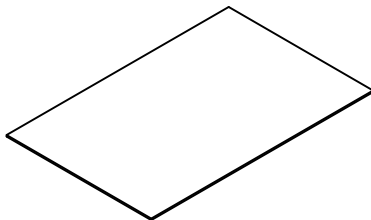
④ ×1PCS



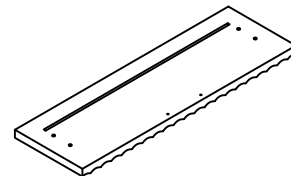
⑤ ×1PCS



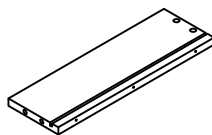
⑥ ×1PCS



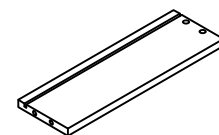
⑦ ×1PCS



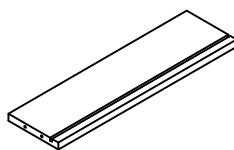
⑧ ×2PCS



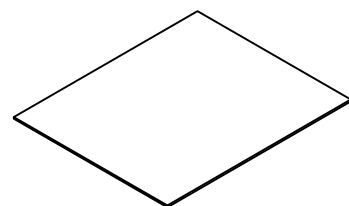
⑨ ×2PCS



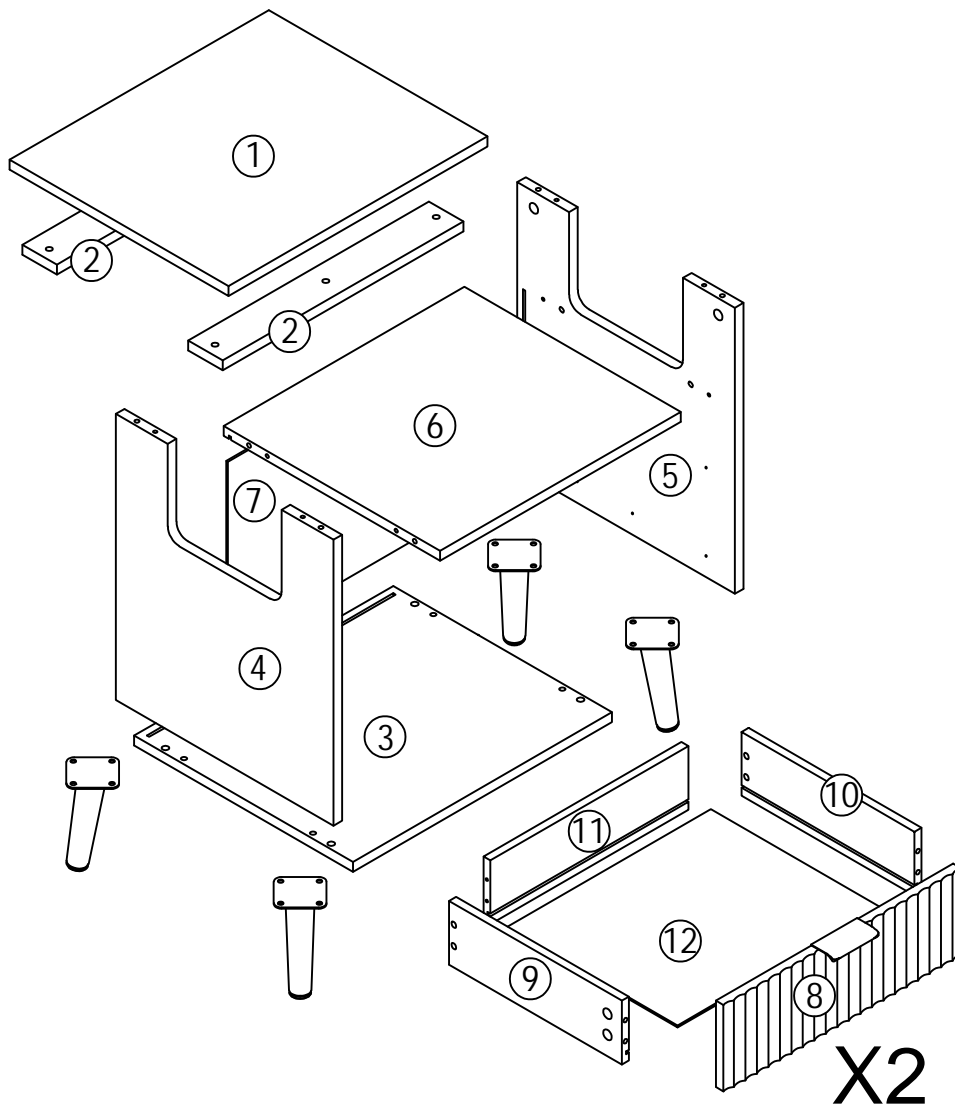
⑩ ×2PCS



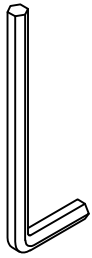
⑪ ×2PCS



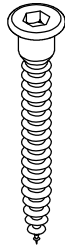
⑫ ×2PCS



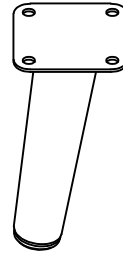
PARTA LIST



M4
A×1PCS



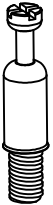
M5X45mm
B×4PCS+1



54x54x120mm
C×4PCS



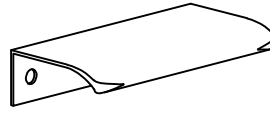
Ø8*30mm
D×12PCS+1



Ø6x32mm
E1×16PCS+2



Ø15x9.8mm
E2×16PCS+2



80*40*18*mm
F×2PCS



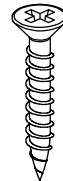
Ø6*M3*10mm
G×4PCS+2



Ø7*M3.5*12mm
H×24PCS+2



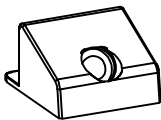
Ø8*M4*12mm
I×16PCS+2



Ø8*M4*35mm
J×8PCS+2



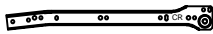
Ø7*M4*22mm
K×6PCS+1

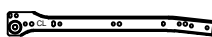


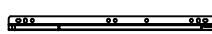
14*14*11mm
L×4PCS+1



Ø6*M3*16mm
M×4PCS+1

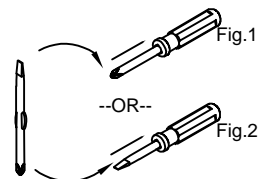
CR  2PCS

CL  2PCS

DR  2PCS

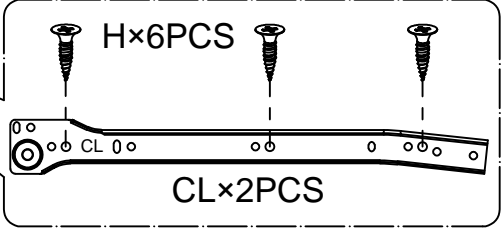
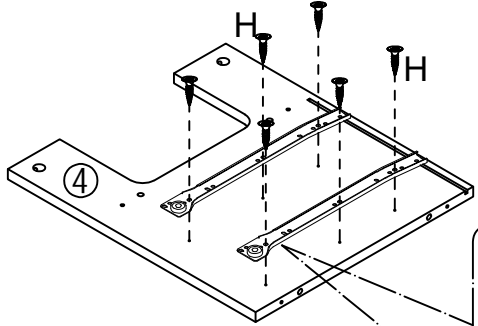
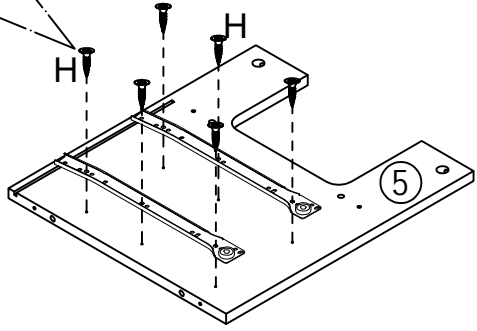
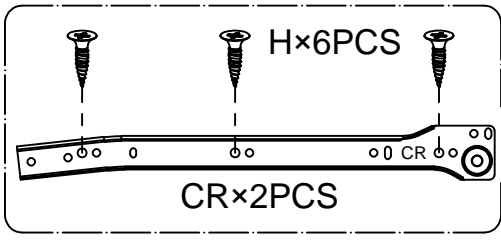
DL  2PCS

12Inch/300mm



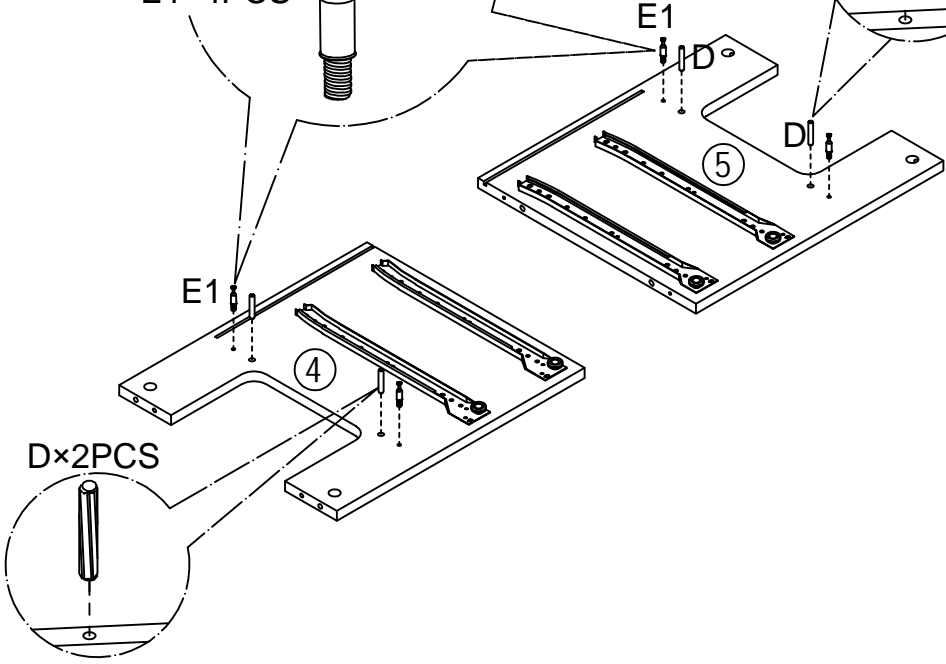
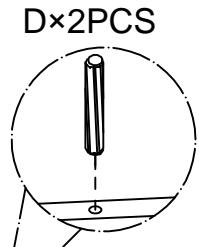
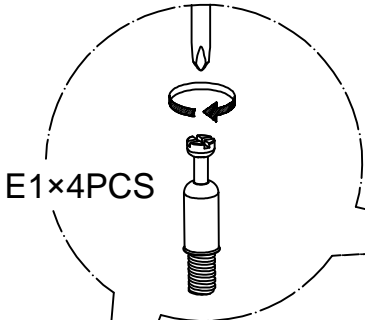
1PCS

1



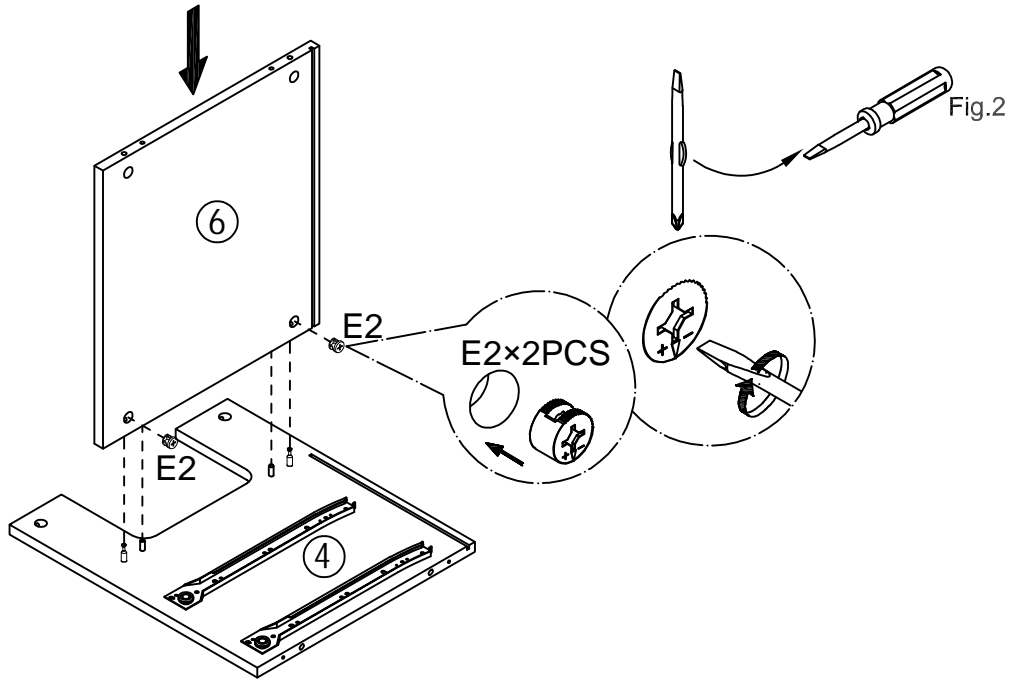
- H×12PCS
- CR×2PCS
- CL×2PCS
- ④×1PCS
- ⑤×1PCS

2



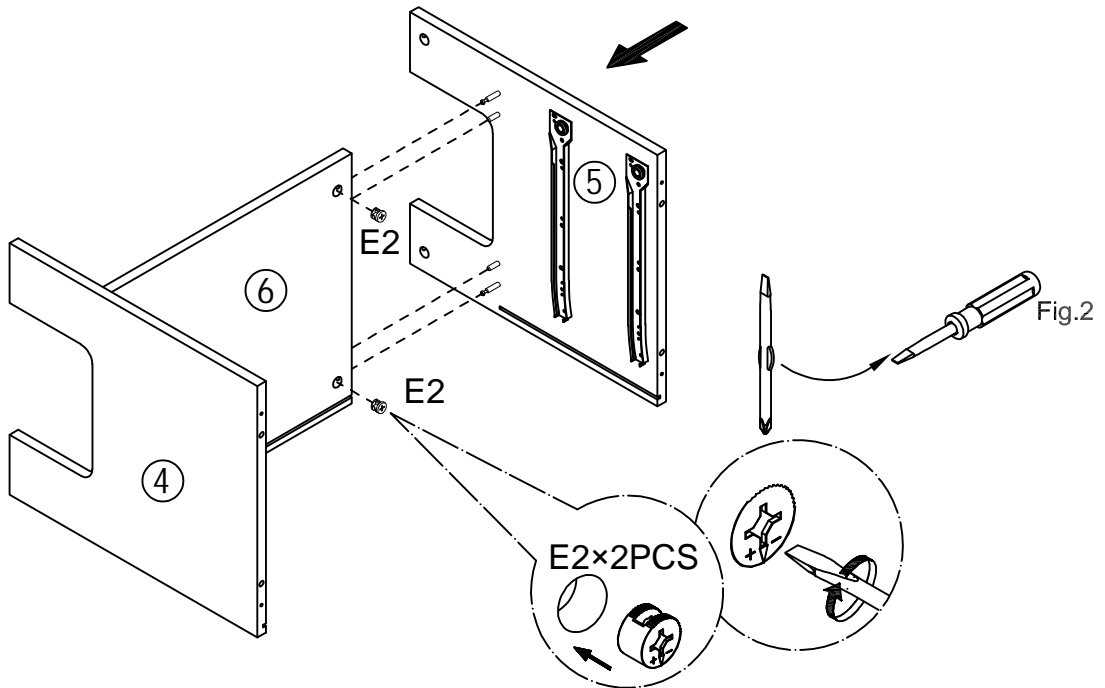
- E1×4PCS
- D×4PCS

3



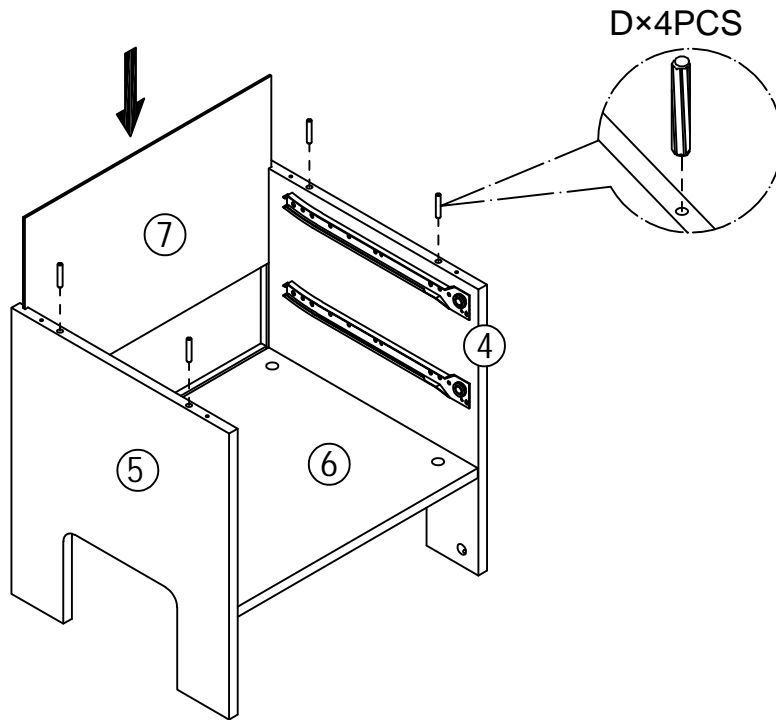
E2×2PCS
⑥×1PCS

4



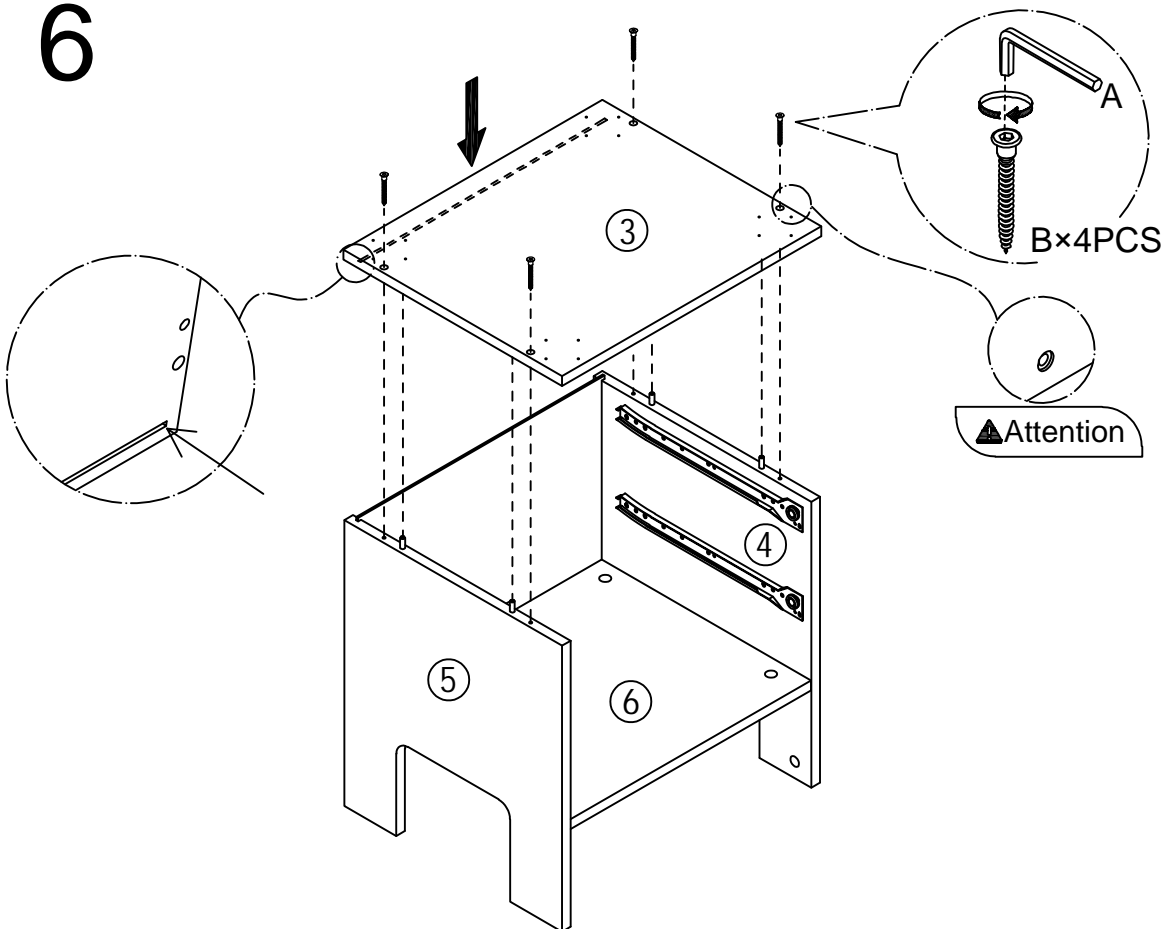
E2×2PCS

5



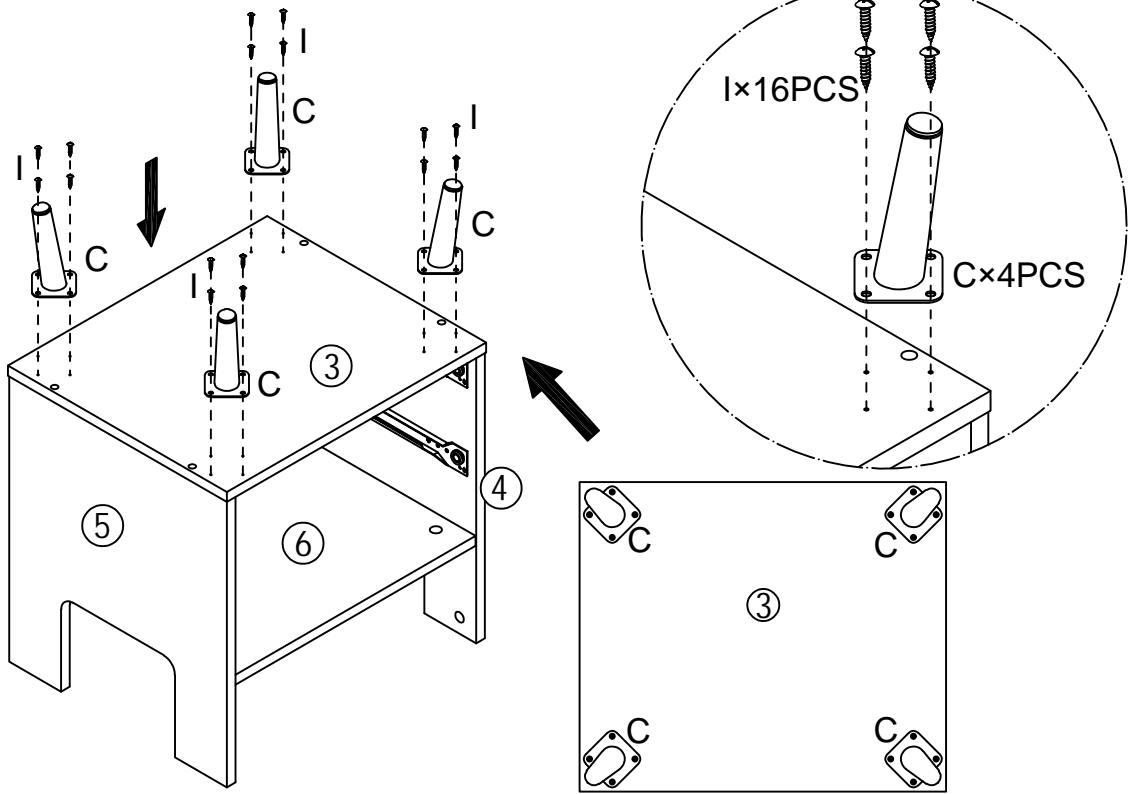
D×4PCS
⑦×1PCS

6



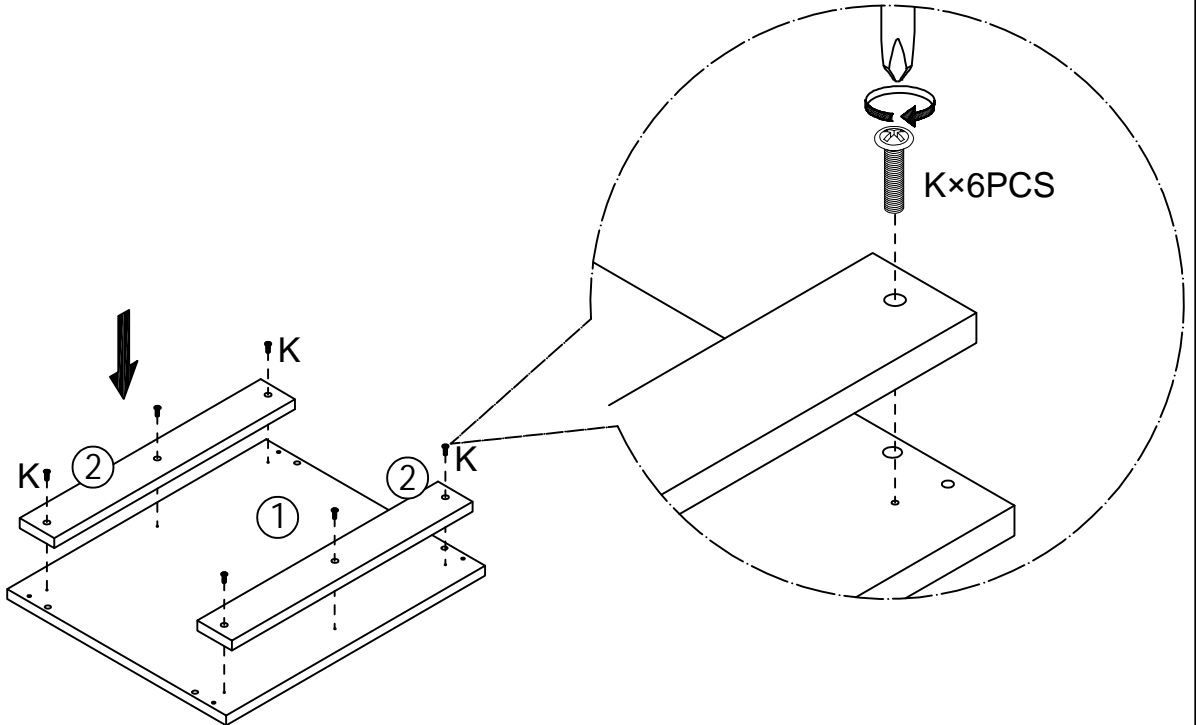
B×4PCS
③×1PCS

7



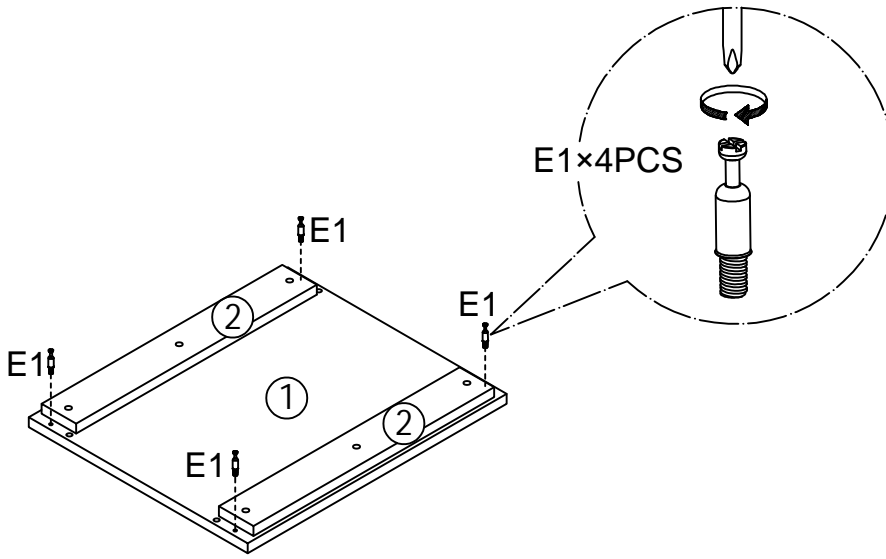
I x 16 PCS
C x 4 PCS

8



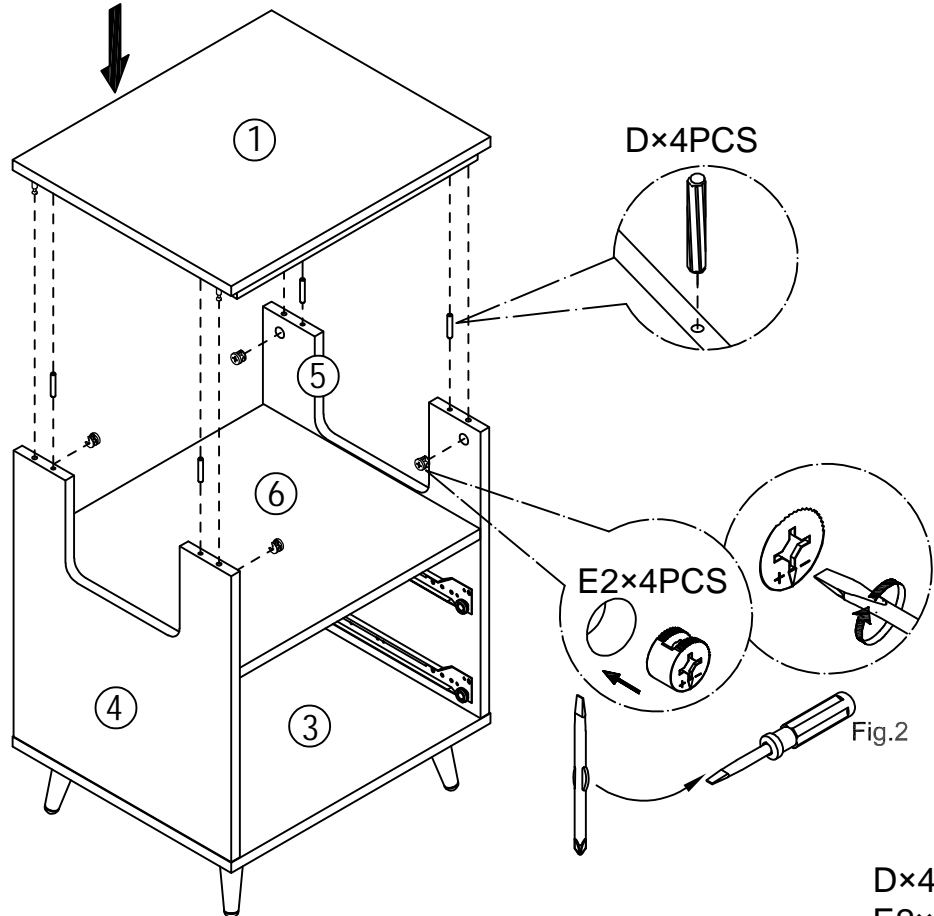
K x 6 PCS
① x 1 PCS
② x 2 PCS

9



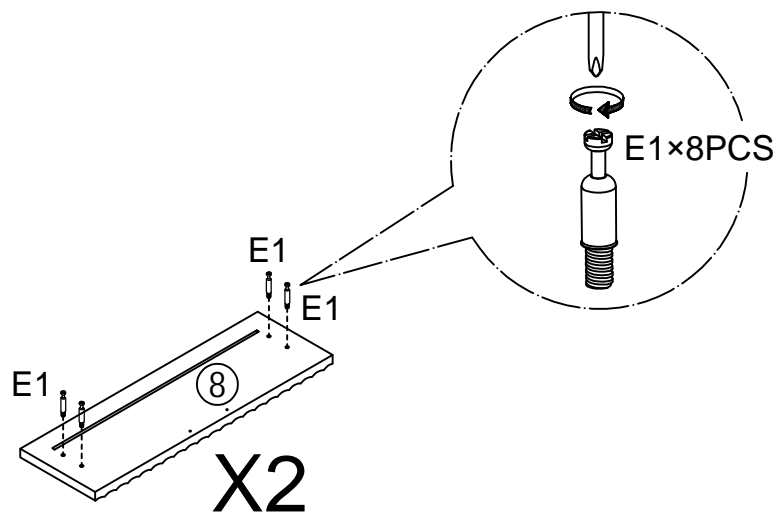
E1×4PCS

10



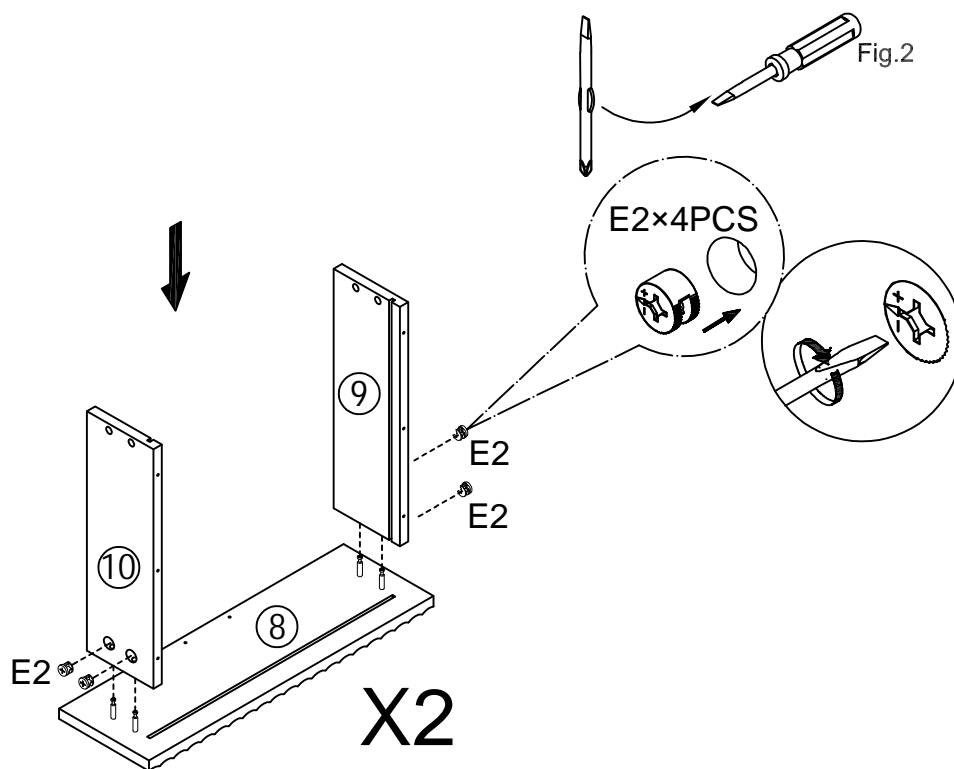
D×4PCS
E2×4PCS

11



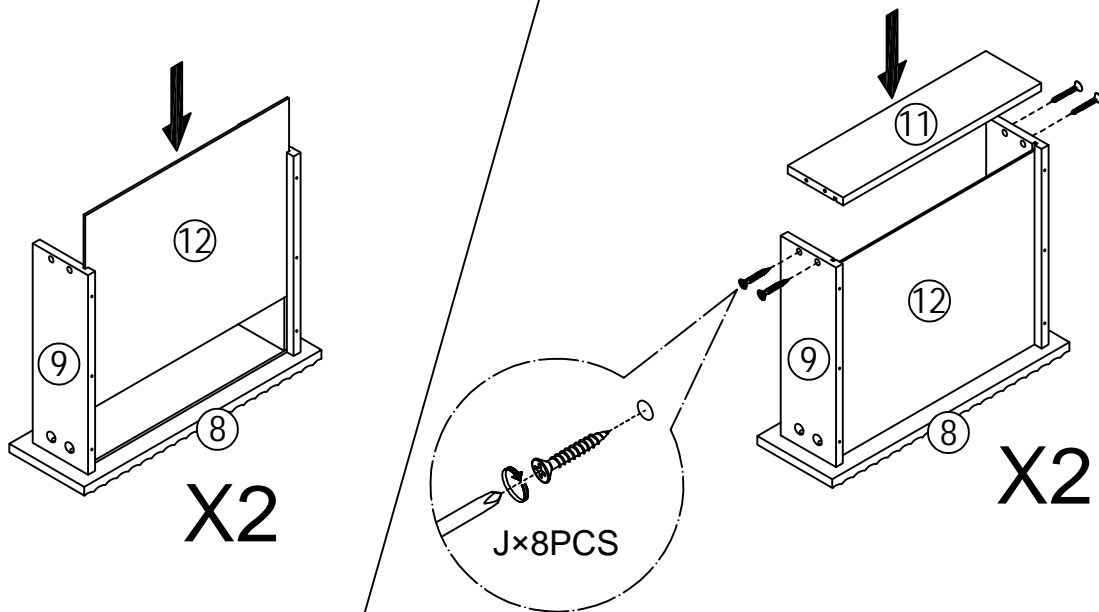
E1 x 8 PCS
⑧ x 2 PCS

12



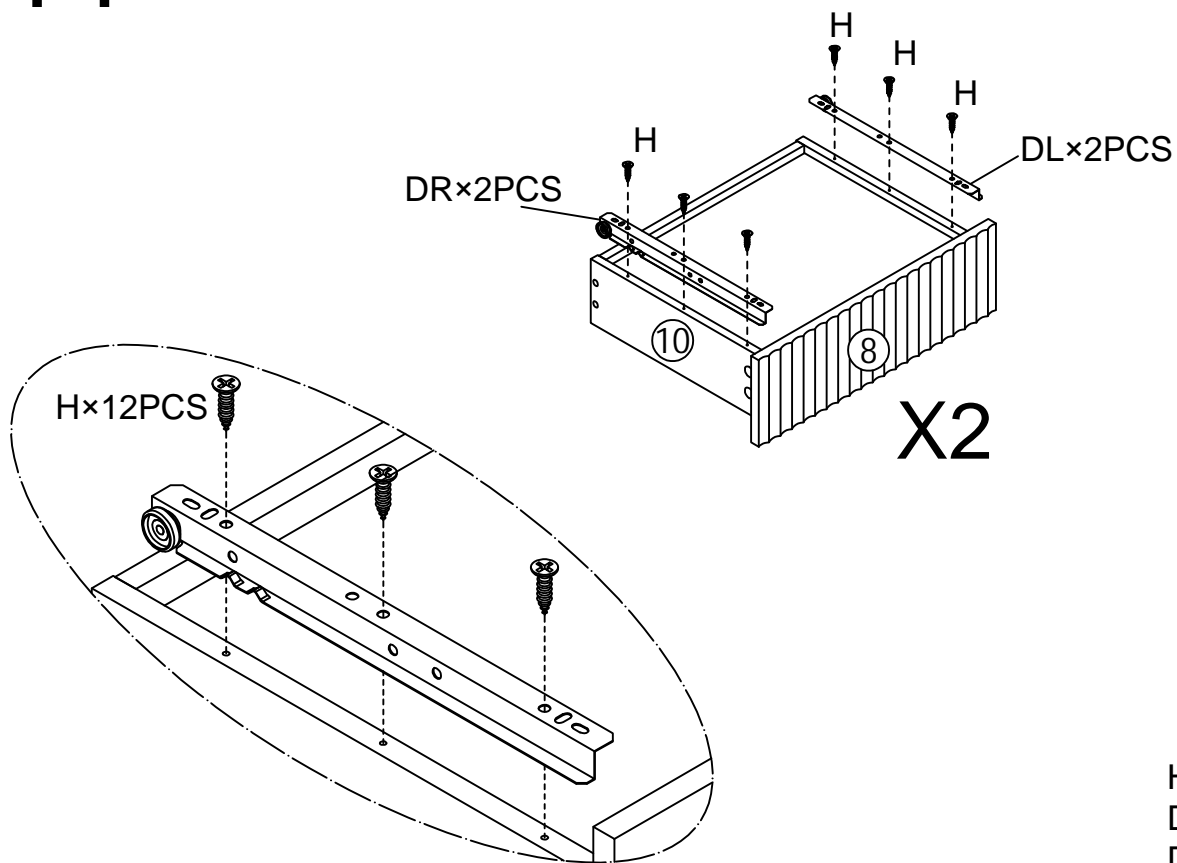
E2 x 8 PCS
⑨ x 2 PCS
⑩ x 2 PCS

13



J×8PCS
⑪×2PCS
⑫×2PCS

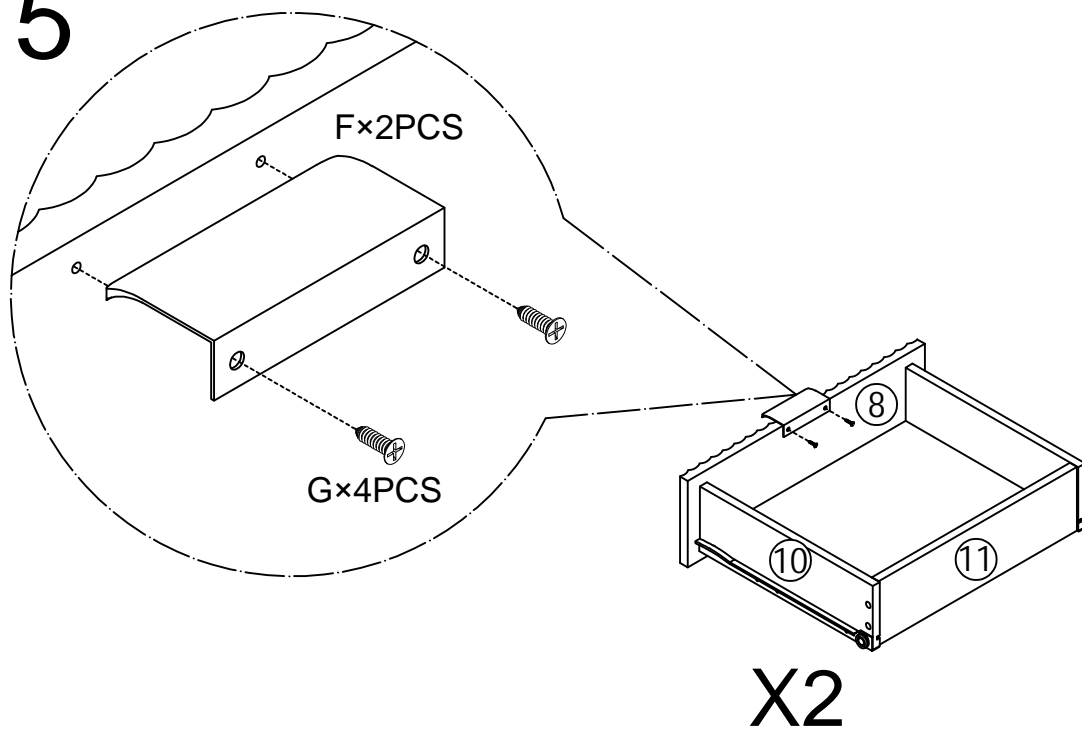
14



H×12PCS
DR×2PCS
DL×2PCS

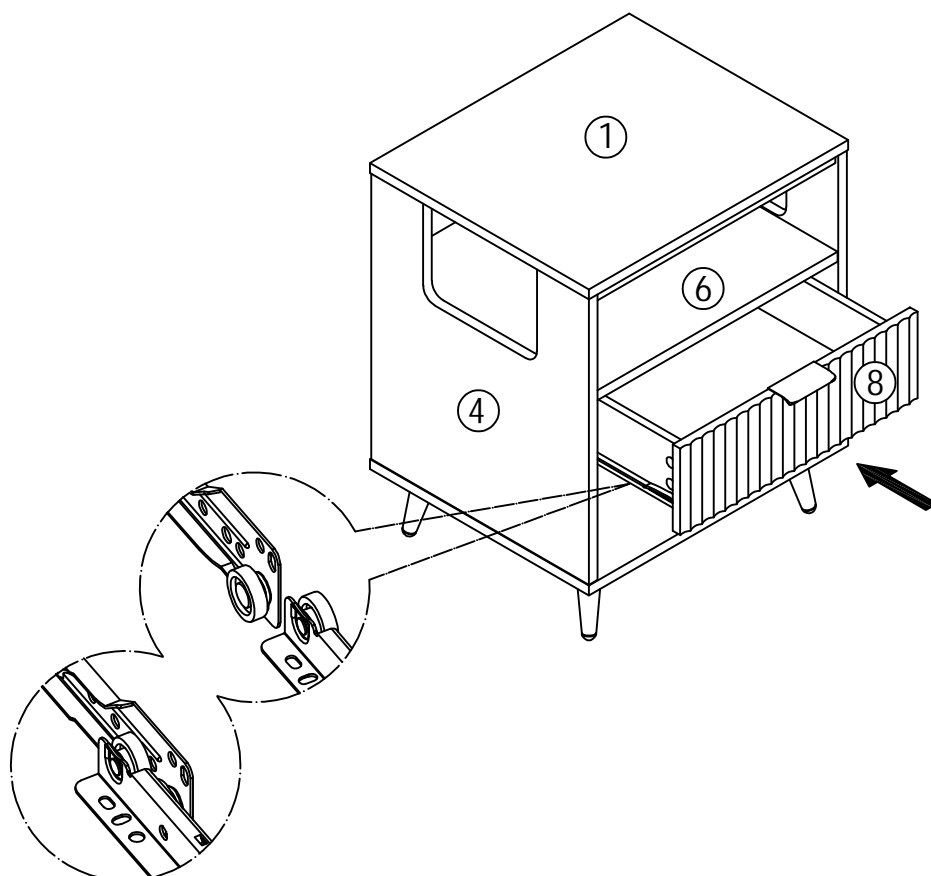
P11/13

15



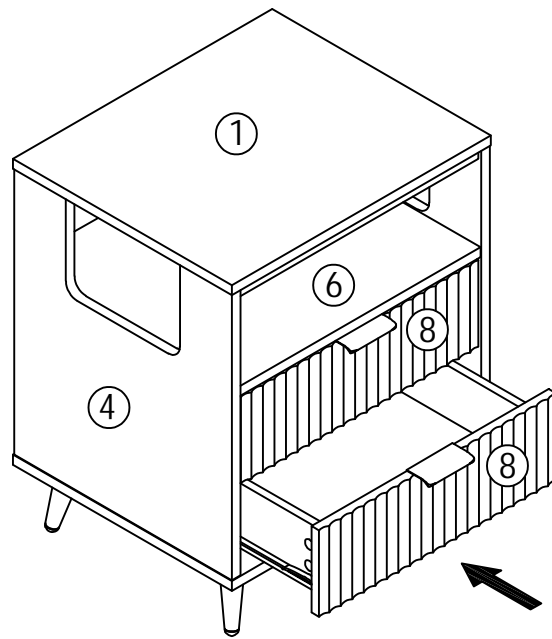
Fx2PCS
Gx4PCS

16



P12/13

17



18

