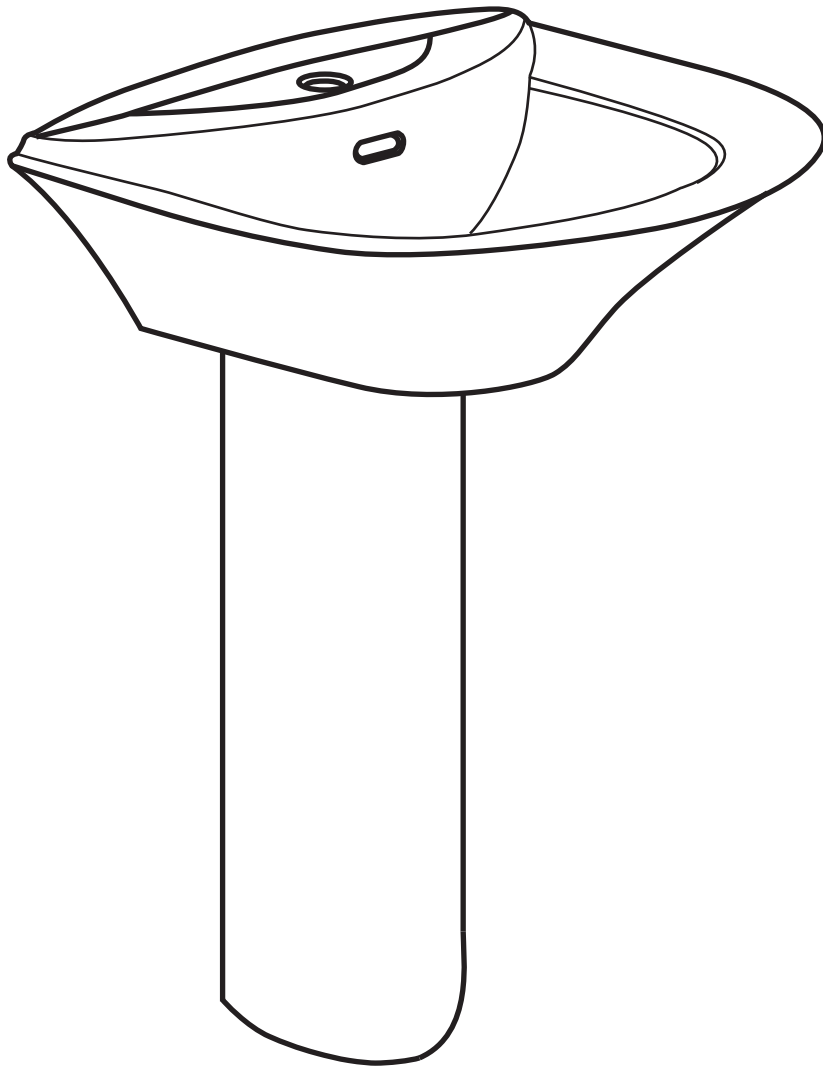


INSTALLATION INSTRUCTIONS

Ceramic Pedestal Combo Bathroom Sink





Prior to Installation:

- Before installation, please make sure that the water source is closed and the water supply pipeline is reserved.
- Please confirm that the installation wall is a load-bearing wall. After completing the installation of heavy objects above 150 kgf, the wall can withstand this tensile force, and make sure that the wall is flat after installation.
- Please make sure that a qualified professional follows the steps in this manual to install the pedestal.

General Recommendations:

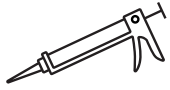
Please read the installation and maintenance instructions thoroughly before installing the pedestal bathroom sink.

Be sure to use proper tools and always wear proper personal safety accessories for your protection.

**If you have any questions or concerns
please contact us**

INSTALLATION INSTRUCTIONS

1. SUGGESTED TOOLS AND MATERIALS



Silicone



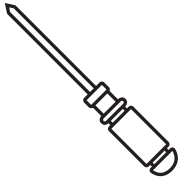
Safety Glasses



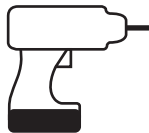
Pencil



Tape Measure



Screwdriver Philips



Drill




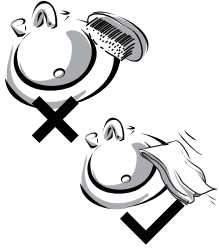
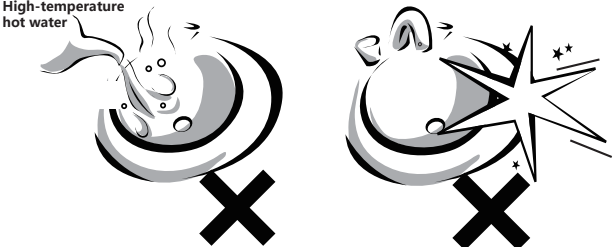
Adjustable Wrench

- Installation tools are not provided, please prepare yourself.

2. PART LIST

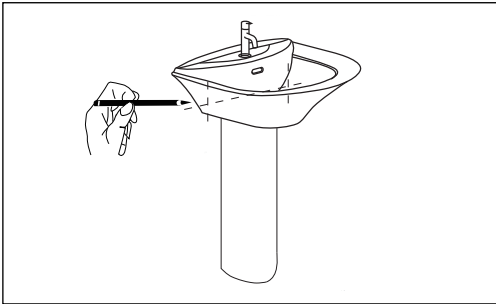
Basin, pedestal, bolt kit, installation instruction.

3. USE AND MAINTENANCE

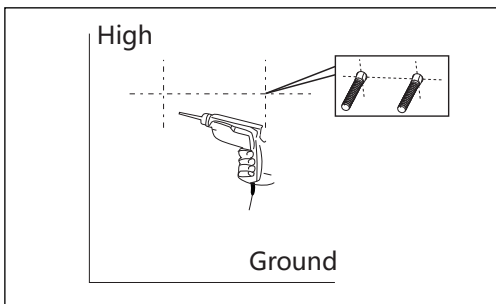
<p>Cleaning</p>	<p>Neutral cleaner should be used to clean the product. It will damage the surface of the product if use a strong or corrosive cleaner.</p> 	<p>Use</p>	<p>Do not use nylon brush or cloth to clean products, so as not to abrade the surface of the product. Please clean the washbasin with a soft cloth, after each use.</p> 
<p>Warning</p>	<p>In the case of low ambient temperature, if pour high-temperature hot water directly into the basin for use, the basin may crack. Avoid hard objects directly hitting the surface of the product to prevent product damage.</p> 		

INSTALLATION INSTRUCTIONS

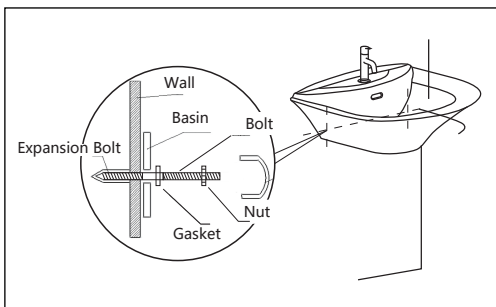
4. INSTALLATION STEPS



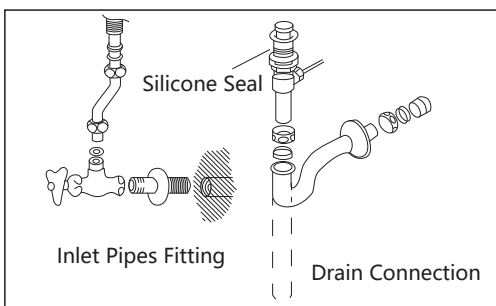
- **STEP 1:**
Place the basin column at the position where it needs to be installed and then mark the position of the basin's installation hole.



- **STEP 2:**
Use a drill to make a hole at the mark on the wall, and then fix the expansion bolt in the installation hole. Install the end of the bolt for the installation basin to the corresponding expansion bolt.

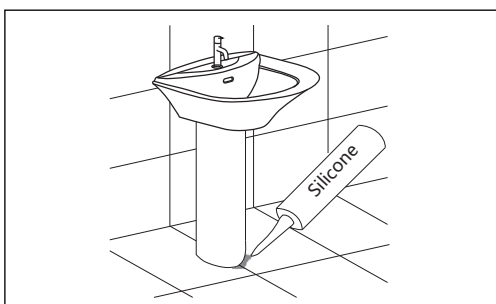


- **STEP 3:**
After installing the faucet, fix the basin to the bolts which are already installed on the wall.



- **STEP 4:**
Install the drain fittings according to the corresponding instructions, and connect the inlet and drain pipe fittings. Seal the bottom of the drainage with silicone.

Attention: The faucet and the water inlet and drain pipe fittings must be firm, otherwise there may be leakage. After installation, please be sure to confirm whether there are any defects such as water leakage.



- **STEP 5:**
After installing the basin, place the column in the corresponding position. Coat the contact surface between the basin and the wall and between the column and the ground with adhesive sealing materials such as silicone.

Attention: It is absolutely forbidden to use epoxy resin glue and other sealing materials that increase in volume after hardening.