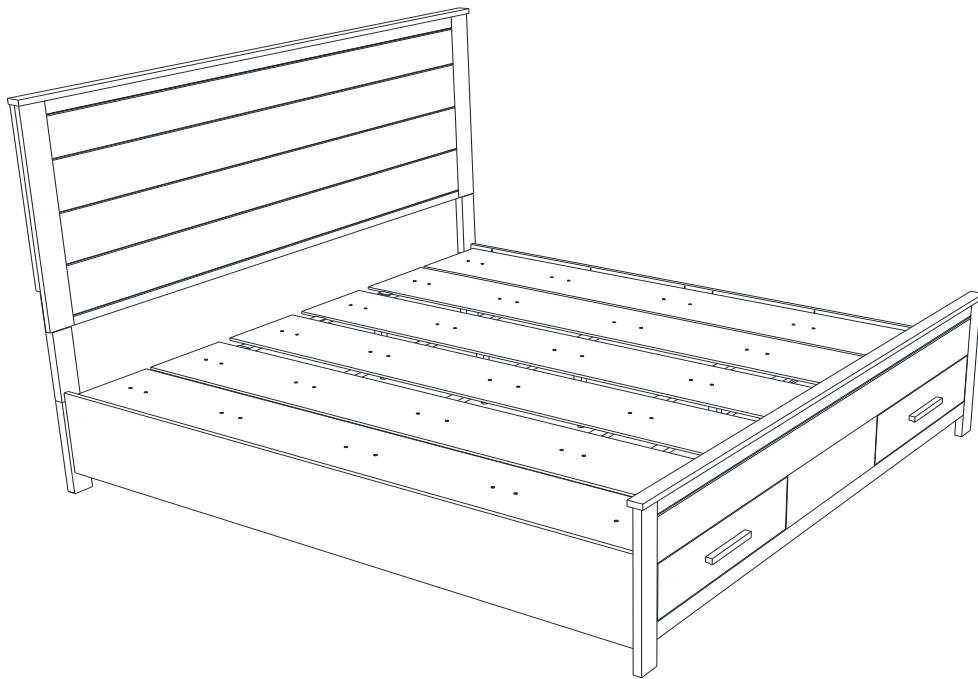


ASSEMBLY INSTRUCTIONS



Fine Furniture for every stage of life

(B1-B3) **Eastern King Storage Bed**

ASSEMBLY INSTRUCTIONS

ASSEMBLY TIPS:

1. Remove hardware from box and sort by size.
2. Please check to see that all hardware and parts are present prior to start of assembly.
3. Please follow attached instructions in the same sequence as numbered to assure fast & easy assembly.



WARNING!

1. Don't attempt to repair or modify parts that are broken or defective. Please contact the store immediately.
2. This product is for home use only and not intended for commercial establishments.



ASSEMBLY TIME

20 MINUTES

PARTS IDENTIFICATION

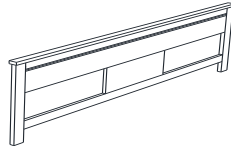
B1 (BOX 1)

A HEADBOARD PANEL



1PC

B FOOTBOARD FRAME



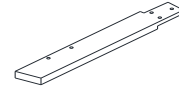
1PC

C RIGHT HEADBOARD LEG



1PC

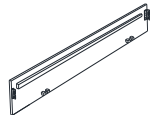
D LEFT HEADBOARD LEG



1PC

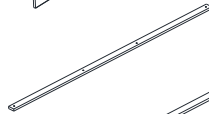
B2 (BOX 2)

E BED RAIL



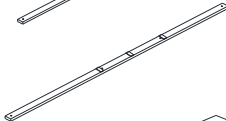
2PCS

F BED SLAT



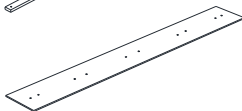
3PCS

G BED SLAT WITH MARKING



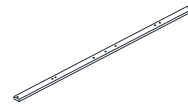
2PCS

H CONCEAL PANEL



6PCS

I DRAWER BOTTOM TRESTLE BAR



1PC

J DRAWER SUPPORT RAIL



2PCS

K BED SLAT SUPPORT WITH LEVELER DRAWER



10PCS

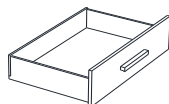
L SUPPORT LEG WITH LEVELER



1PC

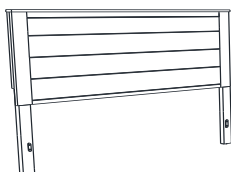
B3 (BOX 3)

M DRAWER BOX



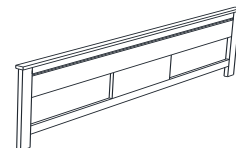
2PCS

HB HEADBOARD COMPLETE



1PC

B FOOTBOARD FRAME



1PC

ASSEMBLY INSTRUCTIONS

ASSEMBLY TIPS:

1. Remove hardware from box and sort by size.
2. Please check to see that all hardware and parts are present prior to start of assembly.
3. Please follow attached instructions in the same sequence as numbered to assure fast & easy assembly.







WARNING!





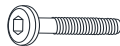



1. Don't attempt to repair or modify parts that are broken or defective. Please contact the store immediately.
2. This product is for home use only and not intended for commercial establishments.

HARDWARE IDENTIFICATION

Z-B1 (BOX 1) - HARDWARE PACK IS LOCATED IN (B1)

1	BOLT (M6 x 30mm - BLK)		6PCS	3	FLAT WASHER (1/4" ID x 13mm - BLK)		6PCS
2	LOCK WASHER (1/4" - BLK)		6PCS	4	ALLEN WRENCH (M4 x 60mm - BLK)		1PC

Z-B2 (BOX 2) - HARDWARE PACK IS LOCATED IN (B2)

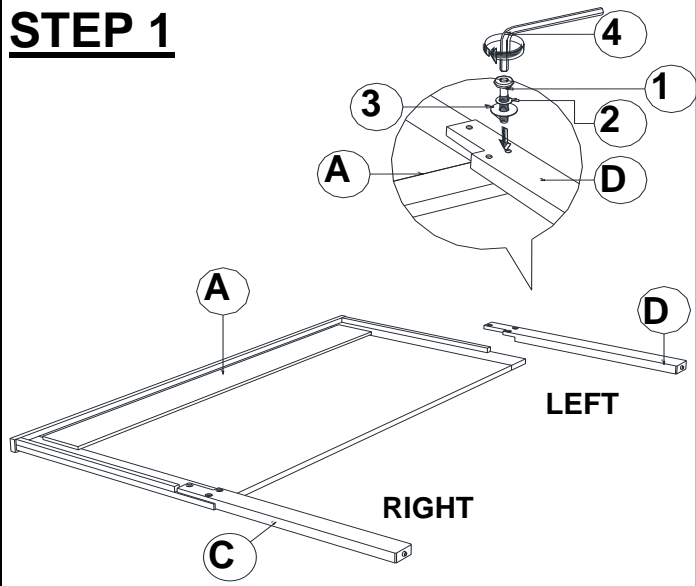
5	FLAT HEAD SCREW (M4 x 32mm - RBW)		14PCS	9	LOCK WASHER (1/4" - BLK)		2PCS
6	PAN HEAD SCREW (M3.5 x 20mm - BLK)		30PCS	10	FLAT WASHER (1/4" ID x 13mm - BLK)		2PCS
7	SHORT BOLT (M6 x 35mm - BLK)		2PCS	11	SMALL ALLEN WRENCH (M4 x 60mm - BLK)		1PC
8	LONG BOLT (M6 x 50mm - BLK)		11PCS	12	BIG ALLEN WRENCH (M5 x 65mm - BLK)		1PC

NOTE:

Phillips head screw driver is required in the assembly process; however, manufacturer does not provide this item.

ASSEMBLY INSTRUCTIONS

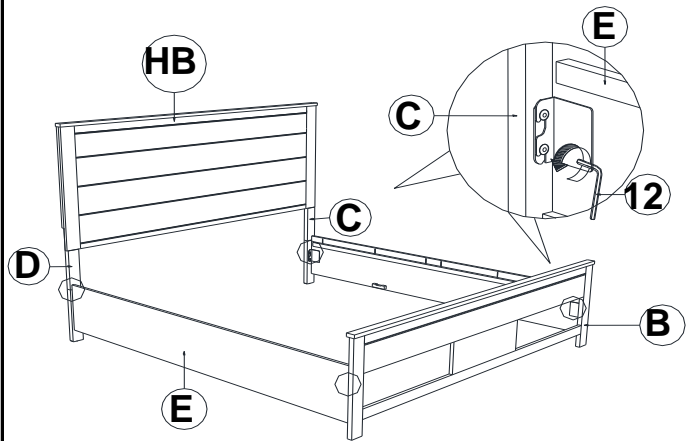
STEP 1



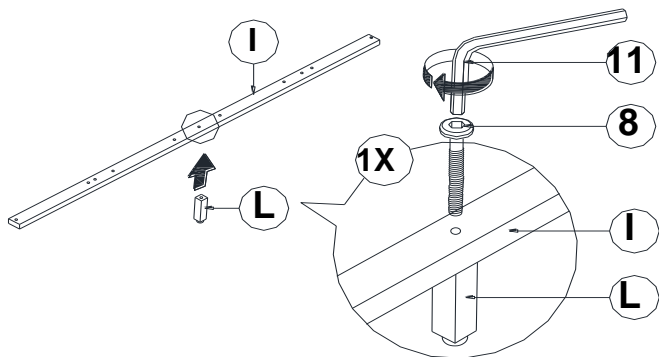
****BACK VIEW****

Note : Please take note of the marking sticker (L&R) on the leg.

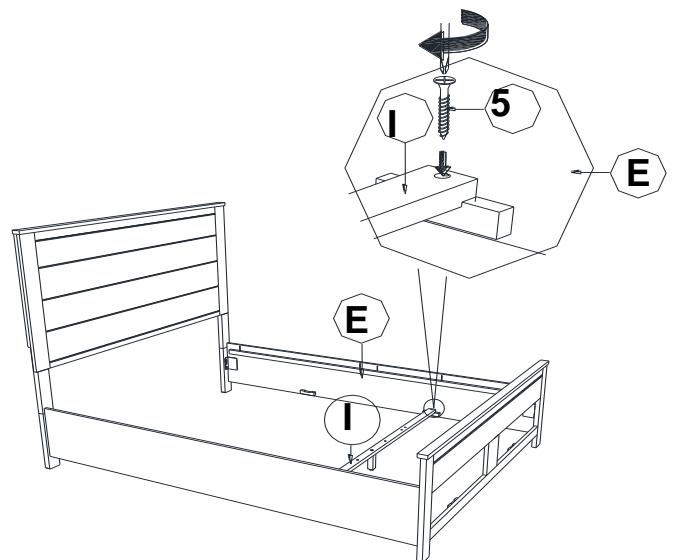
STEP 2



STEP 3

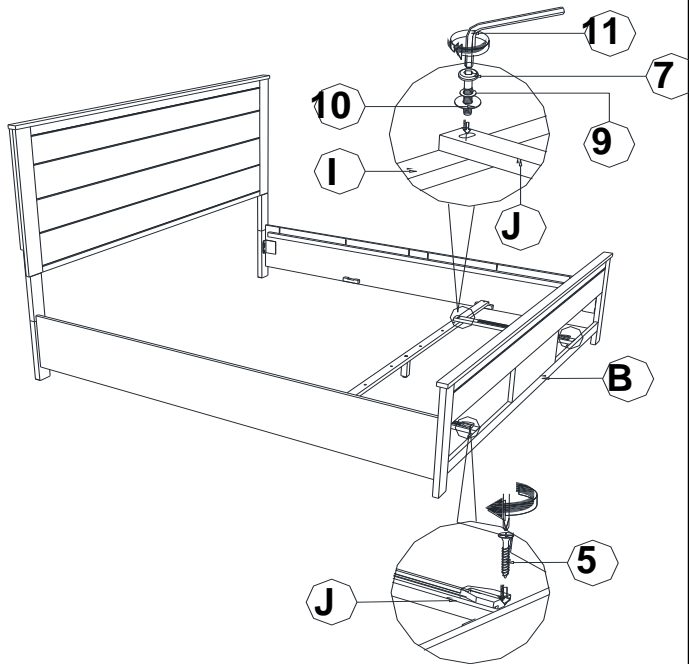


STEP 4

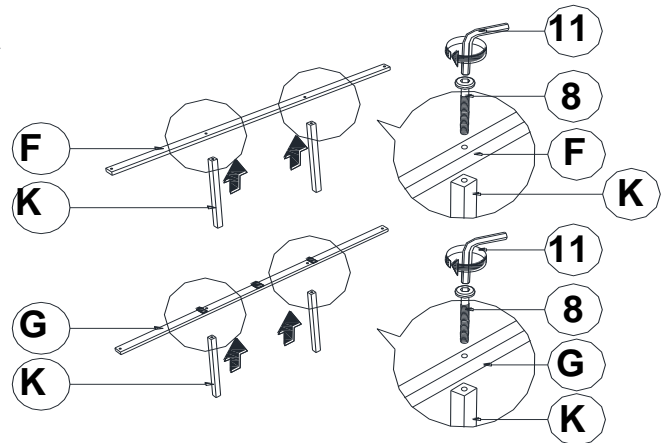


ASSEMBLY INSTRUCTIONS

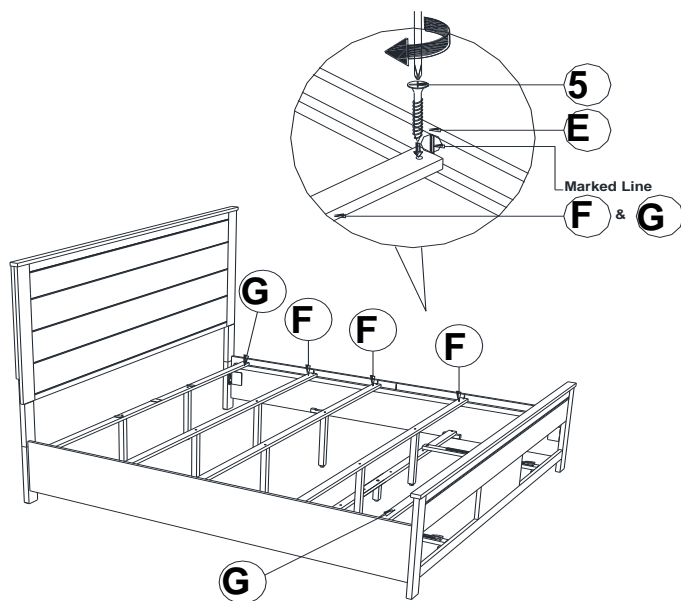
STEP 5



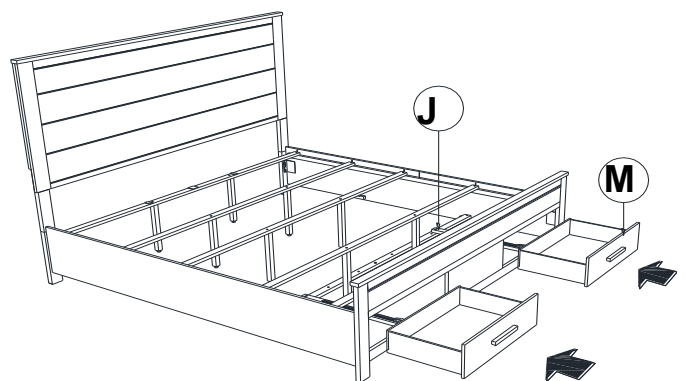
STEP 6



STEP 7

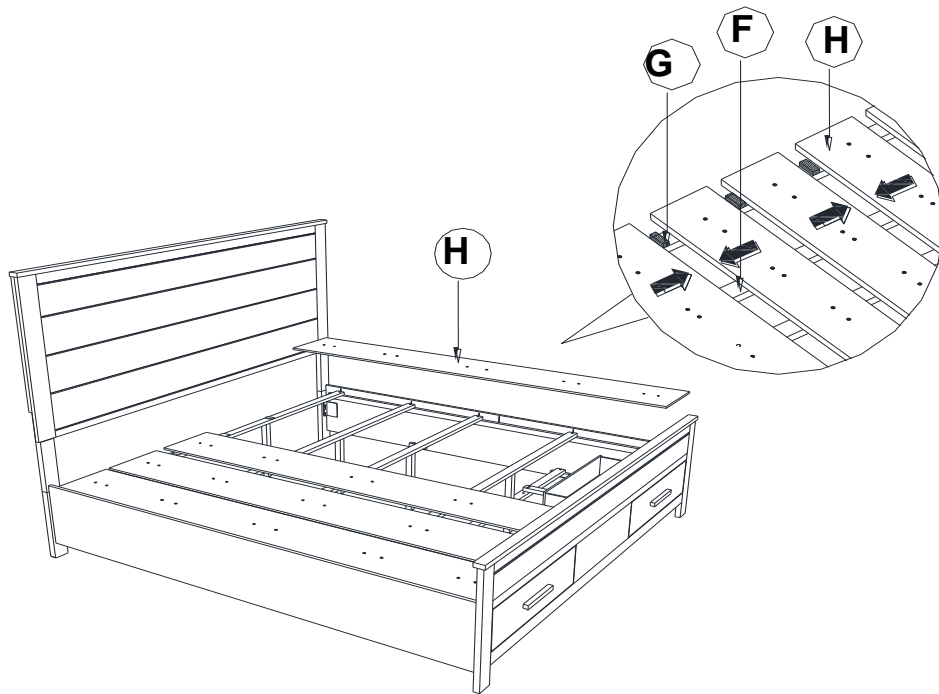
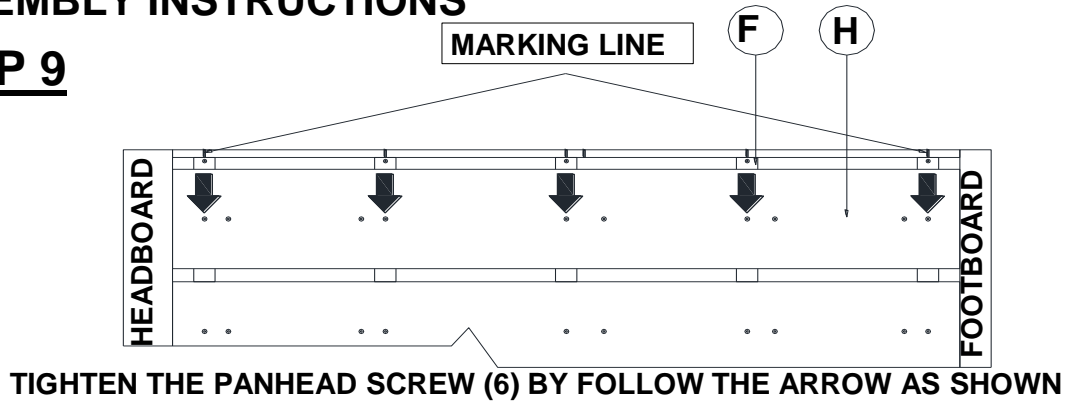


STEP 8



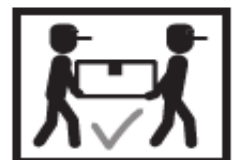
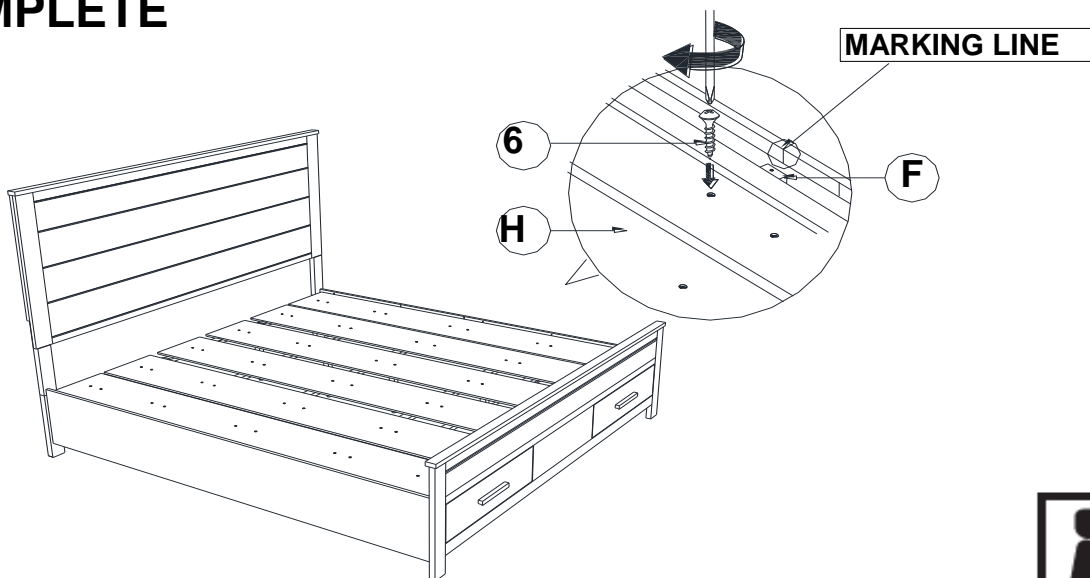
ASSEMBLY INSTRUCTIONS

STEP 9



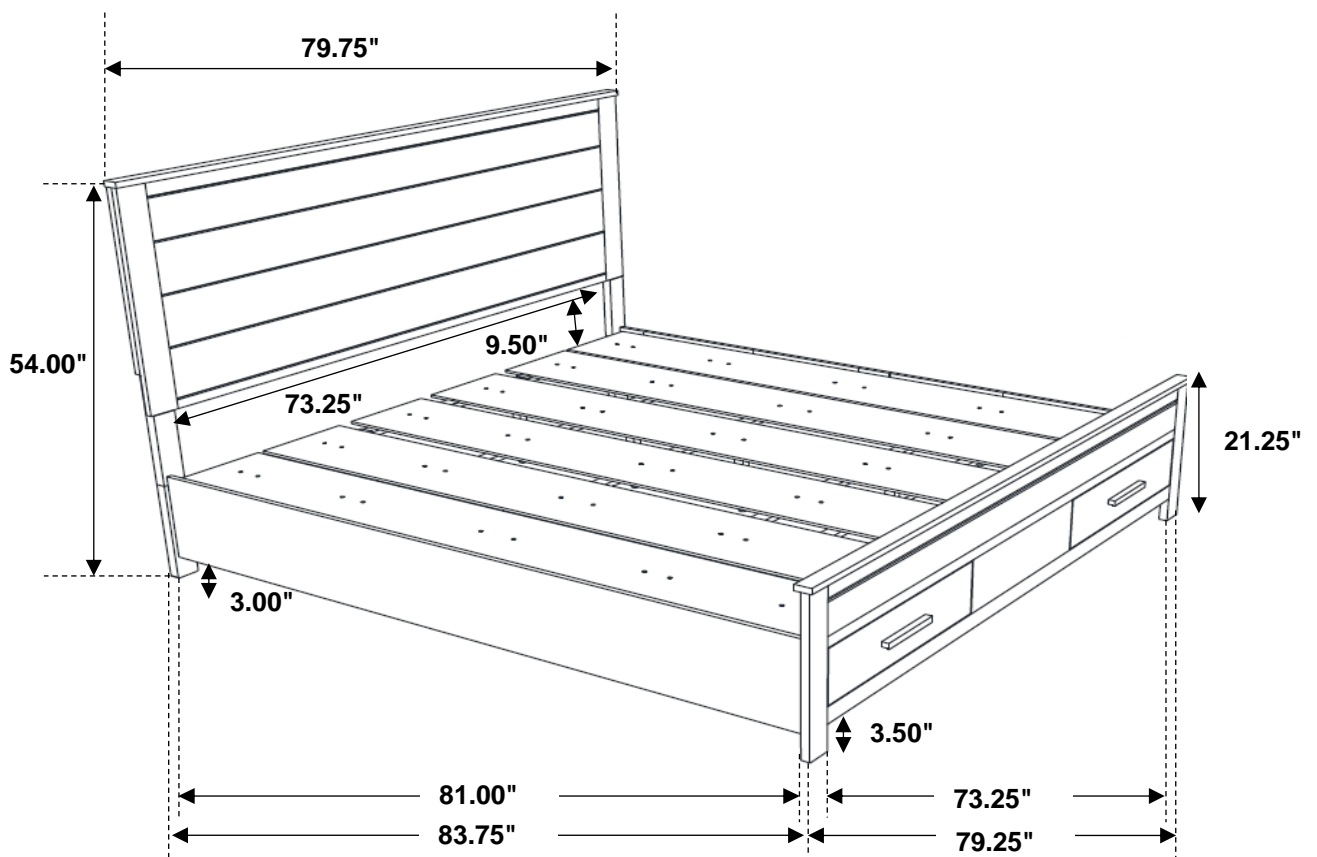
STEP 10

COMPLETE



Inner Size of Bed: 77.00"W X 81.00"D

Inner Size of Drawer : 23.25"W X 15.00"D X 5.00"H X 0.25"T



Note: Dimension tolerance $\pm 5\%$

ASSEMBLY INSTRUCTIONS



Fine Furniture for every stage of life

Nightstand

ASSEMBLY INSTRUCTIONS

ASSEMBLY TIPS:

1. Remove hardware from box and sort by size.
2. Please check to see that all hardware and parts are present prior to start of assembly.
3. Please follow attached instructions in the same sequence as numbered to assure fast & easy assembly.



WARNING!

1. Don't attempt to repair or modify parts that are broken or defective. Please contact the store immediately.
2. This product is for home use only and not intended for commercial establishments.



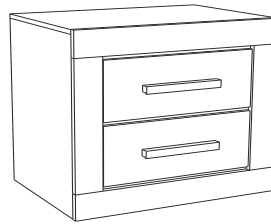
ASSEMBLY TIME

5 MINUTES

PARTS IDENTIFICATION

A

NIGHTSTAND



1PC

B

LEG



4PCS

HARDWARE IDENTIFICATION

1

BOLT
(M6 x 50mm - BLK)



4PCS

2

LOCK WASHER
(1/4" - BLK)



4PCS

3

FLAT WASHER
(1/4"ID x 13mm - BLK)



4PCS

4

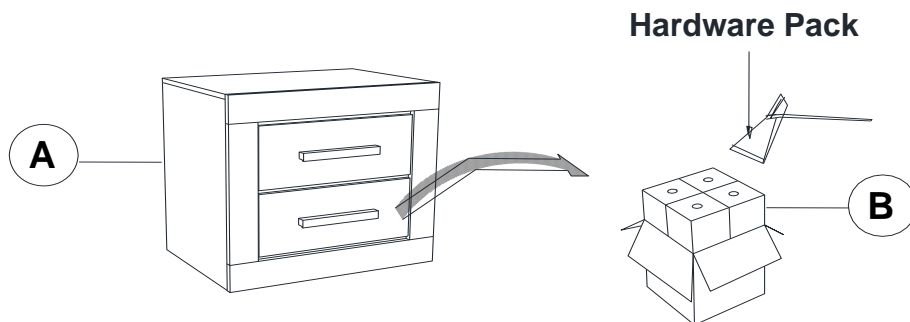
ALLEN WRENCH
(M4 x 110mm - BLK)



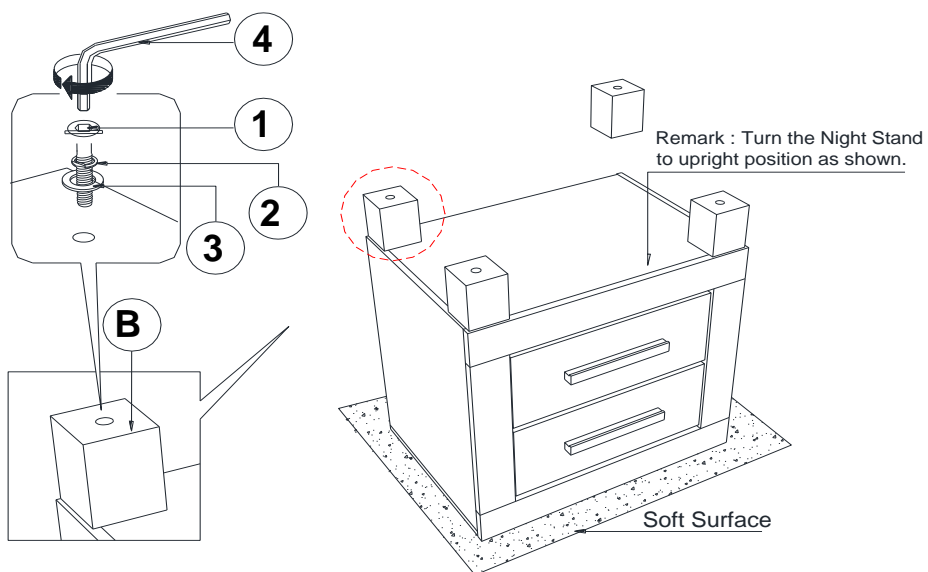
1PC

ASSEMBLY INSTRUCTIONS

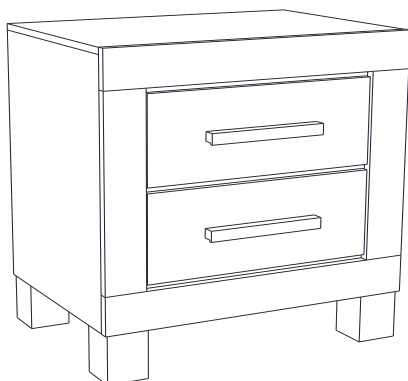
STEP 1



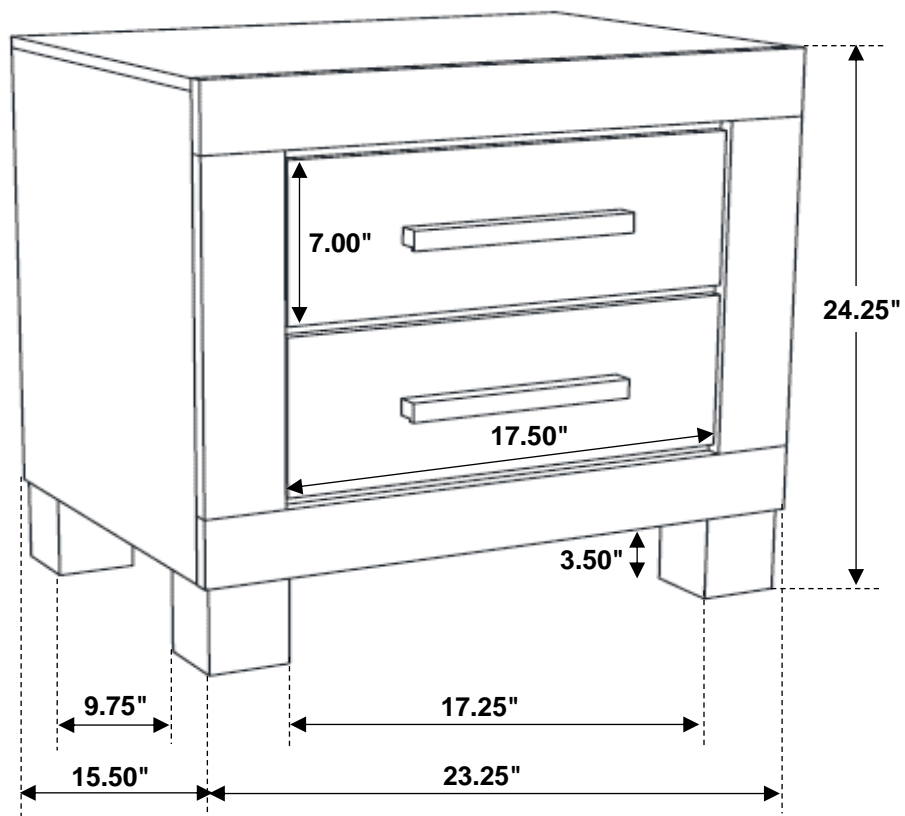
STEP 2



STEP 3 **COMPLETE**



Inner Size of Drawer : 15.00"W X 12.50"D X 4.00"H X 0.25"T



Note: Dimension tolerance $\pm 5\%$

ASSEMBLY INSTRUCTIONS



Fine Furniture for every stage of life

Dresser

ASSEMBLY INSTRUCTIONS

ASSEMBLY TIPS:

1. Remove hardware from box and sort by size.
2. Please check to see that all hardware and parts are present prior to start of assembly.
3. Please follow attached instructions in the same sequence as numbered to assure fast & easy assembly.



WARNING!

1. Don't attempt to repair or modify parts that are broken or defective. Please contact the store immediately.
2. This product is for home use only and not intended for commercial establishments.



ASSEMBLY TIME

5 MINUTES

PARTS IDENTIFICATION

A

DRESSER



1PC

B

LEG

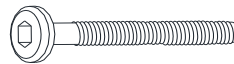


4PCS

HARDWARE IDENTIFICATION

1

BOLT
(M6 x 50mm - BLK)



4PCS

2

LOCK WASHER
(1/4" - BLK)



4PCS

3

FLAT WASHER
(1/4"ID x 13mm - BLK)



4PCS

4

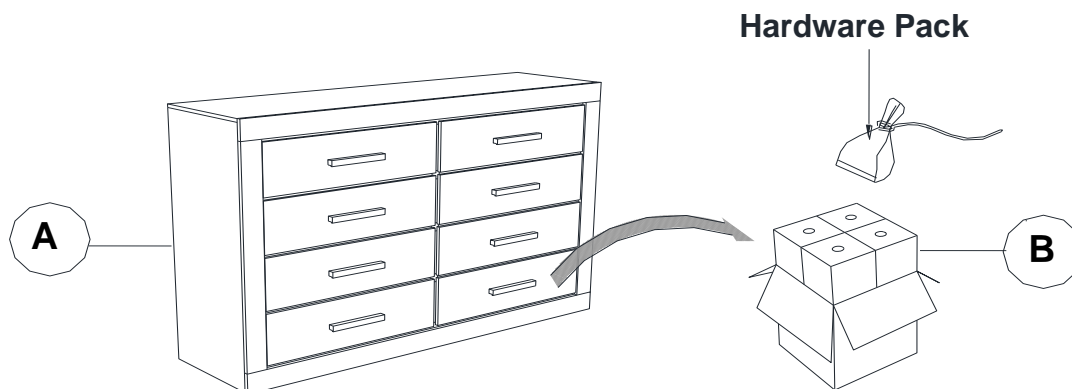
ALLEN WRENCH
(M4 x 110mm - BLK)



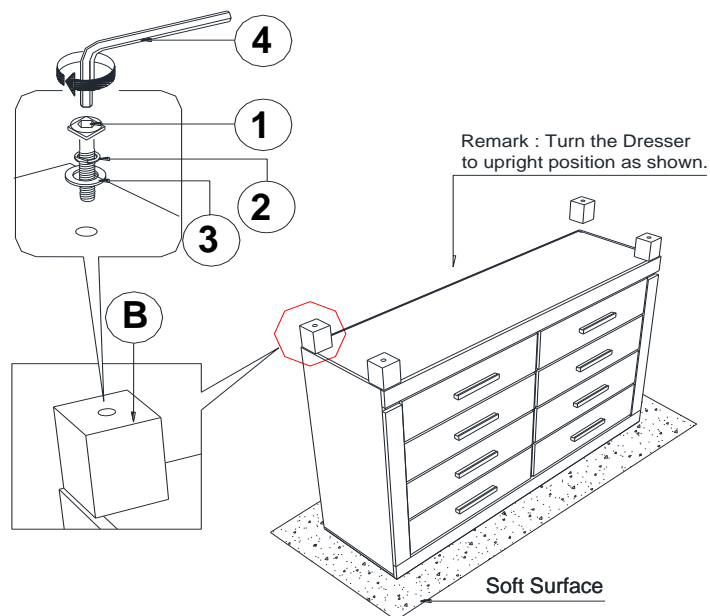
1PC

ASSEMBLY INSTRUCTIONS

STEP 1



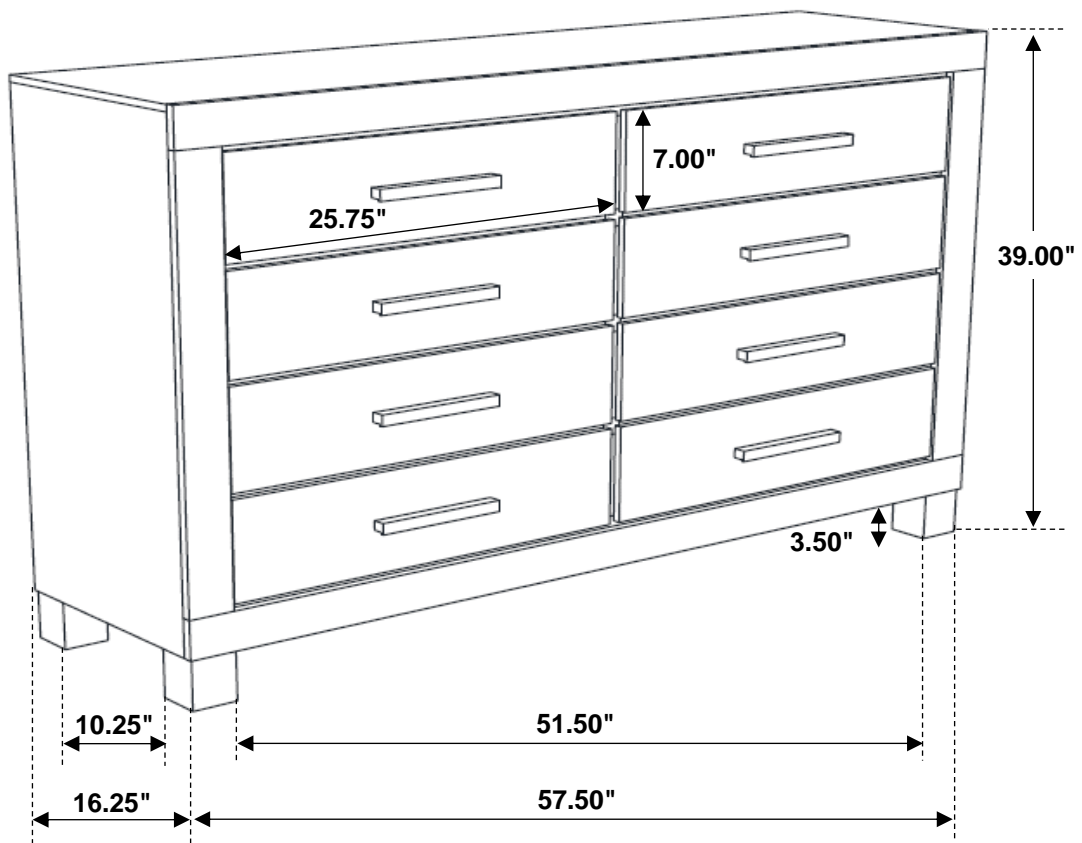
STEP 2



STEP 3 COMPLETE



Inner Size of Drawer : 23.25"W X 12.50"D X 4.00"H X 0.25"T



Note: Dimension tolerance $\pm 5\%$

ASSEMBLY INSTRUCTIONS



Fine Furniture for every stage of life

Mirror

ASSEMBLY INSTRUCTIONS

ASSEMBLY TIPS:

1. Remove hardware from box and sort by size.
2. Please check to see that all hardware and parts are present prior to start of assembly.
3. Please follow attached instructions in the same sequence as numbered to assure fast & easy assembly.



WARNING!

1. Don't attempt to repair or modify parts that are broken or defective. Please contact the store immediately.
2. This product is for home use only and not intended for commercial establishments.

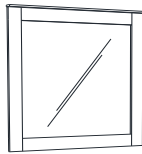


ASSEMBLY TIME

10 MINUTES

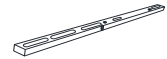
PARTS IDENTIFICATION

A MIRROR



1PC

C MIRROR SUPPORT
(PACKED WITH MIRROR)



2PCS

B DRESSER



1PC

HARDWARE IDENTIFICATION

1 SHORT BOLT
(M6 x 35mm - BLK)



4PCS

4 FLAT WASHER
(1/4" ID x 19mm - BLK)



8PCS

2 LONG BOLT
(M6 x 40mm - BLK)



4PCS

5 ALLEN WRENCH
(M4 x 60mm - BLK)



1PC

3 LOCK WASHER
(1/4" - BLK)

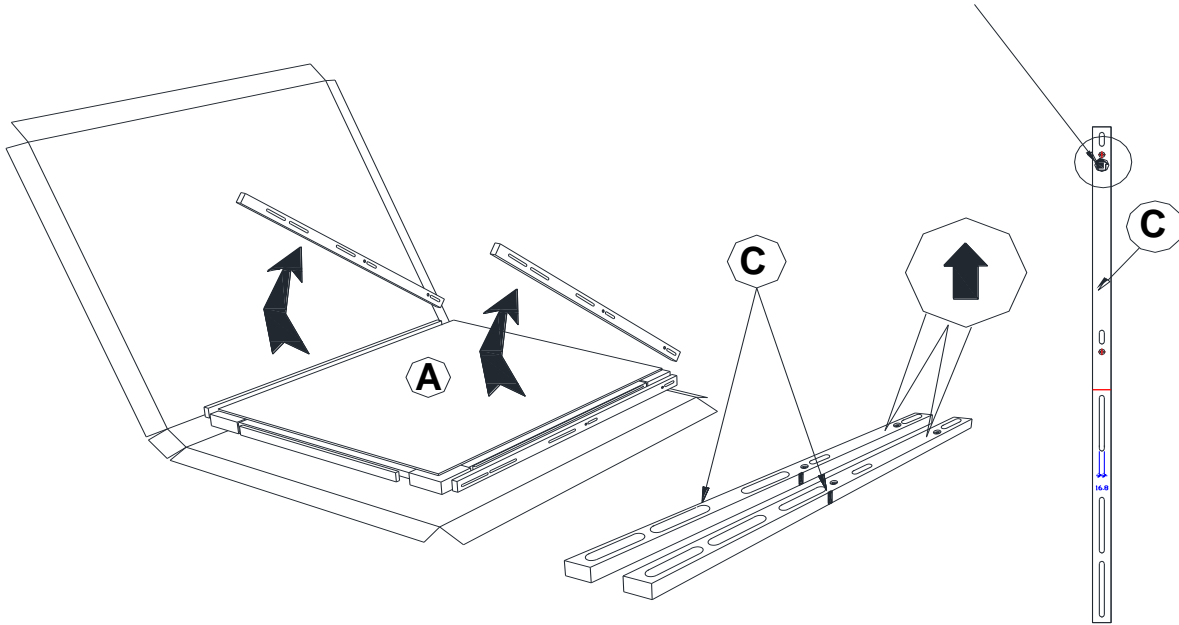


8PCS

ASSEMBLY INSTRUCTIONS

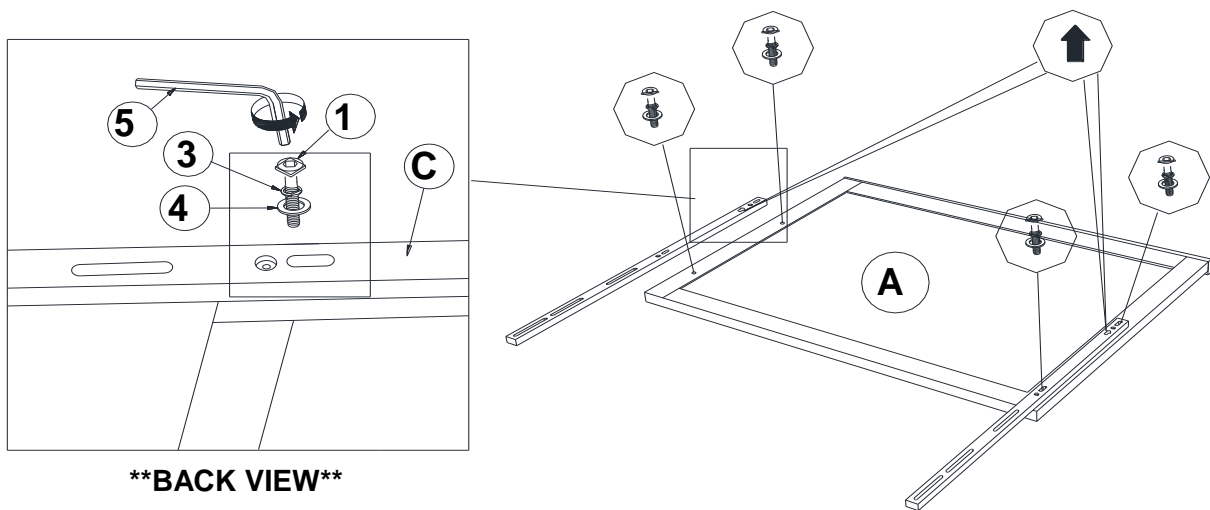
STEP 1

ARROW MARKING FACE UPWARD



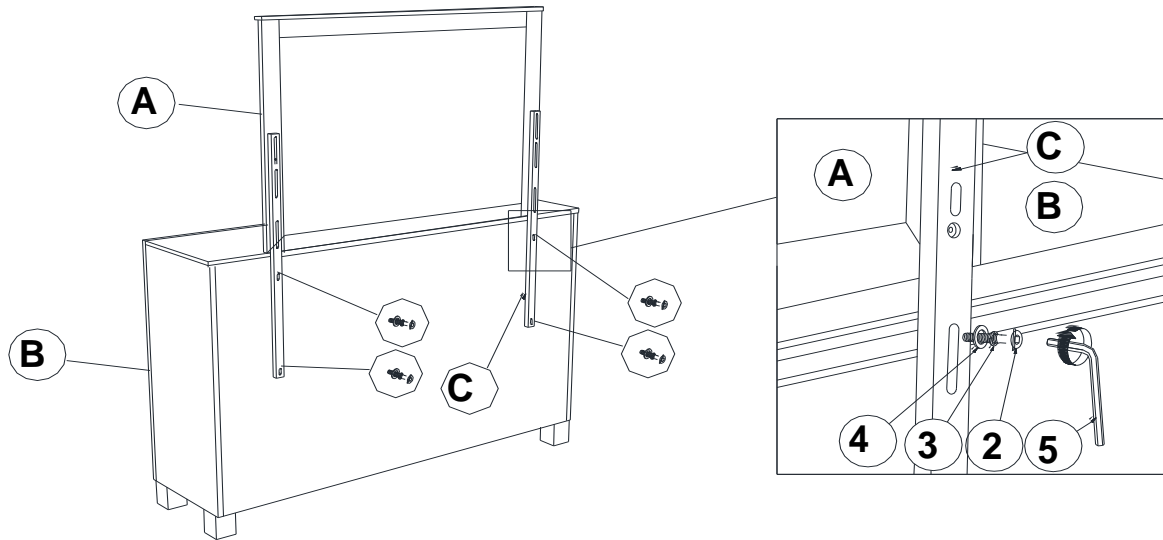
STEP 2

ARROW MARKING FACE UPWARD



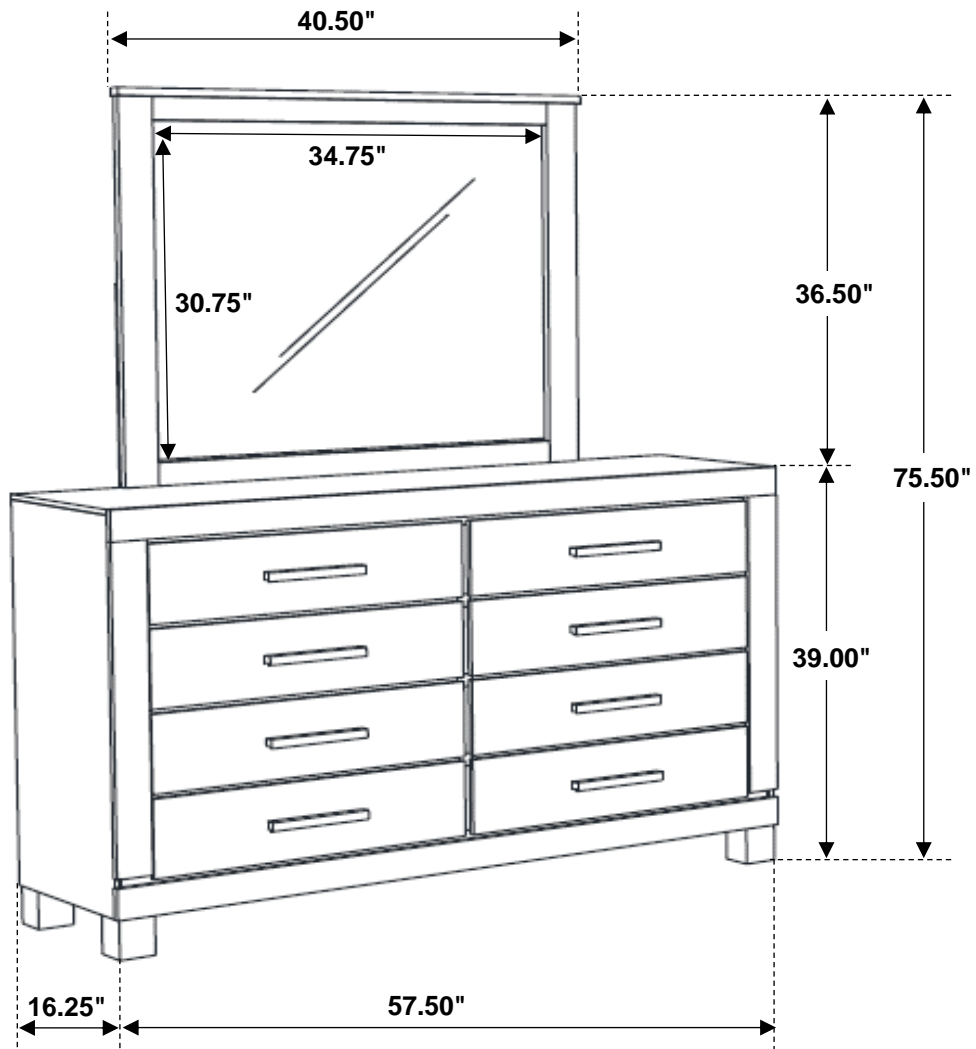
ASSEMBLY INSTRUCTIONS

STEP 3



STEP 4 COMPLETE





Note: Dimension tolerance $\pm 5\%$