

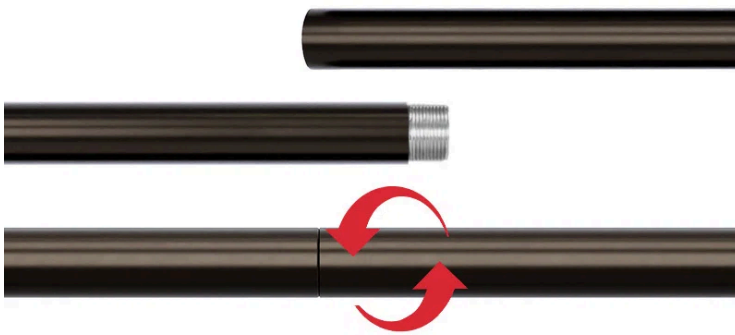
# Installation Guide



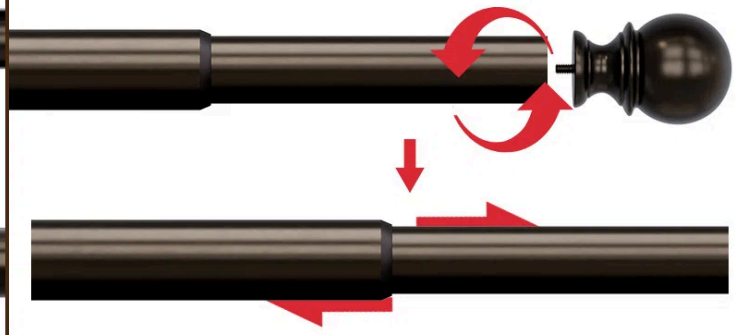
Measure the length and position the bracket 1



Attach the brackets to the wall  
Tap the plastic expansion screw in to the hole of wall 2



Connect the rod together 3



Pull out the telescopic tube and tighten the ends 4



Hanging the curtain on the rod 5



Put the rod on the brackets  
Lock the screws on the curtain rod bracket 6