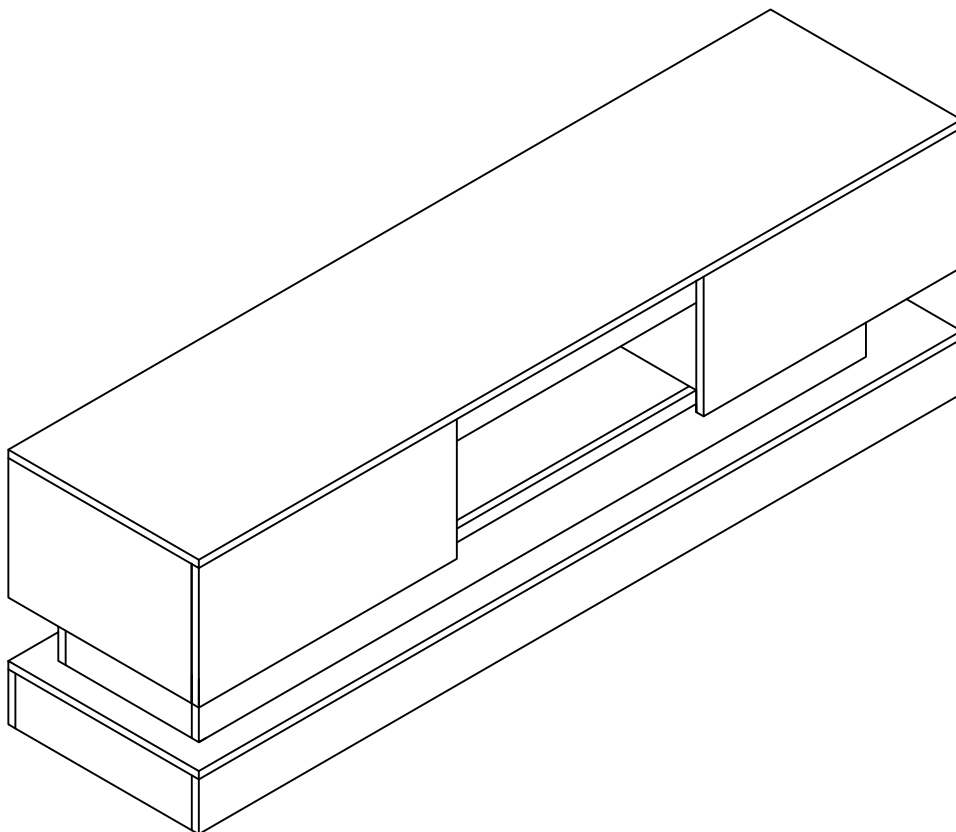


Assembly Instructions



Thank you for your purchase.

Please follow the instructions below for correct assembly.

▲ For higher efficiency, we recommend to use a power drill; the power drill should be set on the low speed to avoid screw stripping.

CAUTION

This package contains small parts and hardware; keep it from children to avoid accidental swallowing.

Disclaimer

All information provided in this manual, including but not limited to notes, pictures, instructions, schematic diagrams, assembly procedures and safety precautions, etc., is in good faith and every reasonable effort has been made to ensure that the provided information is proper, correct and accurate to the best of the manufacturer's knowledge.

Under no circumstance shall the manufacturers, the distributors, the sales agents and the associates, contractors and employees of the above organizations be held liable for any direct, indirect, consequential or incidental losses, damages, injuries or accidents of any kind incurred as a result of the assembly, adjustment and use of the furniture contained in this box. By reading this manual and decide to proceed, you are deemed to agree to accept full personal responsibility and liability for any possible personal injury or damage you suffer from your actions, directly or indirectly, arising out of or in connections with the assembly, adjustment and use of the furniture.



Caution!

Personal injury can occur during the assembly and adjustment of the furniture contained in this box. You will be solely responsible for your personal safety.

PPE Recommendations

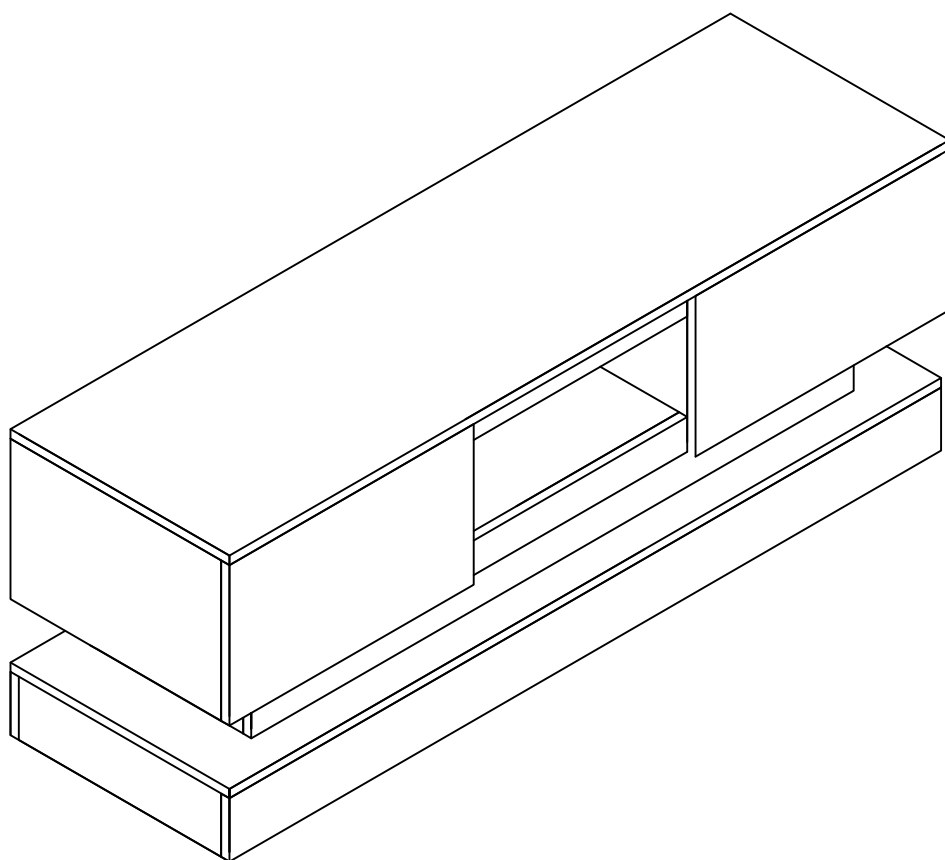
Proper PPEs (Personal Protection Equipment) are recommended to use during assembly and adjustment of the furniture.

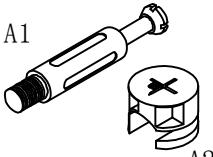
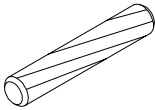

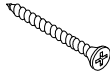
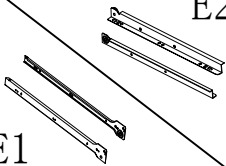
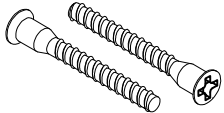
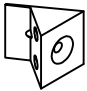

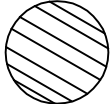
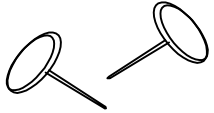
Gloves

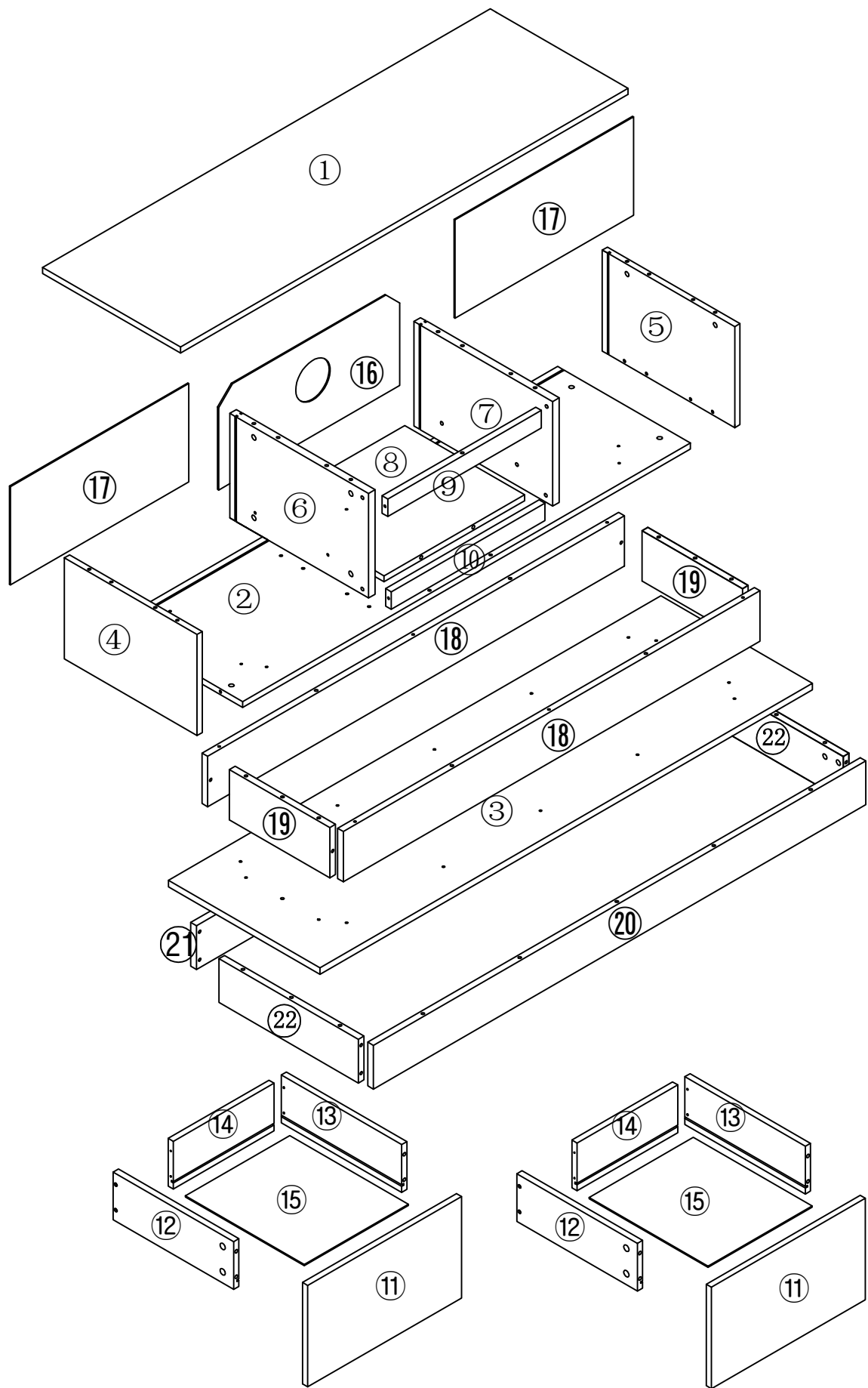


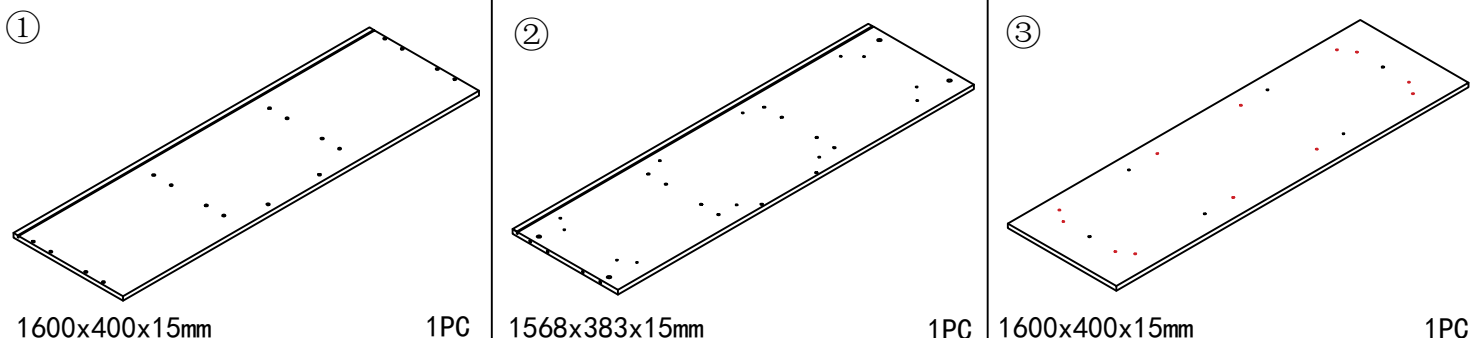
Safety
Goggles



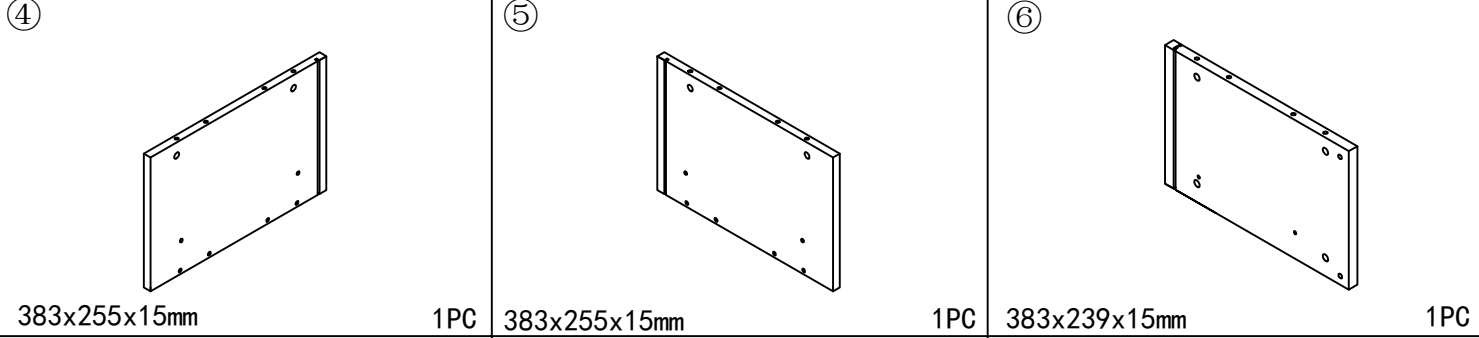


 <p>A1 A2</p>	 <p>$\Phi 8*40$</p>	 <p>$\Phi 3.5*14$</p>	 <p>$\Phi 3.5*35$</p>	 <p>E1 E2</p>
<p>A × 44</p>	<p>B × 48</p>	<p>C × 22</p>	<p>D × 8</p>	<p>E × 2</p>
 <p>F × 28</p>	 <p>G × 6</p>	 <p>USB-LED H × 1</p>	 <p>$\Phi 20$ I × 44</p>	 <p>J × 6</p>

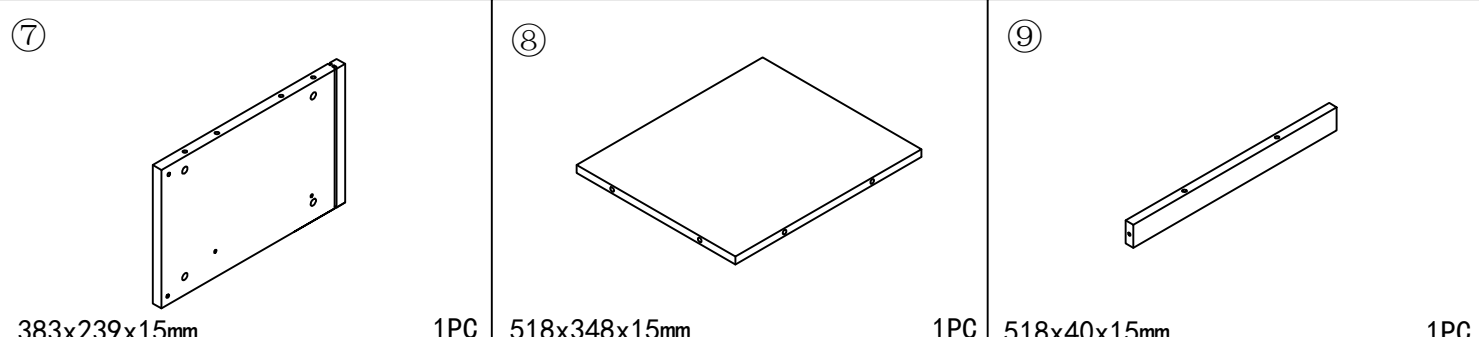




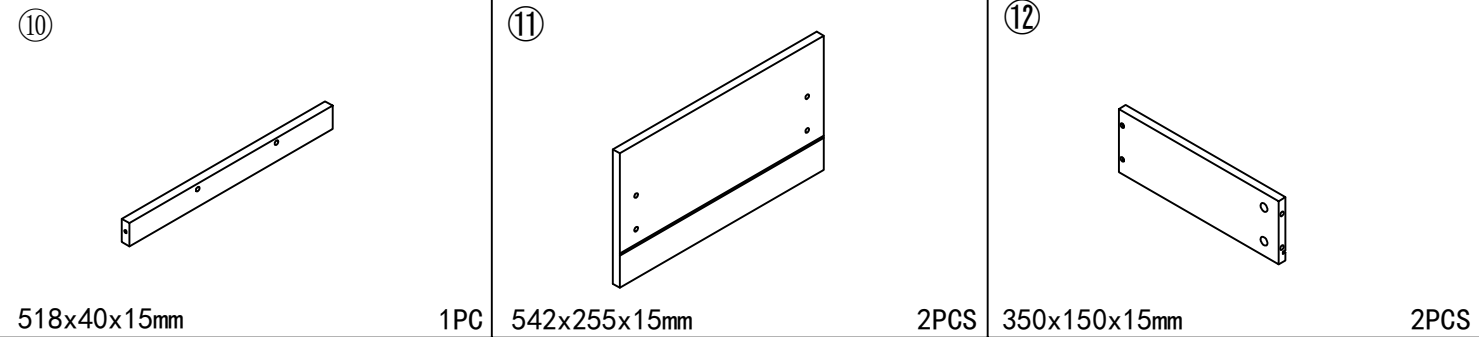
① 1600x400x15mm 1PC ② 1568x383x15mm 1PC ③ 1600x400x15mm 1PC



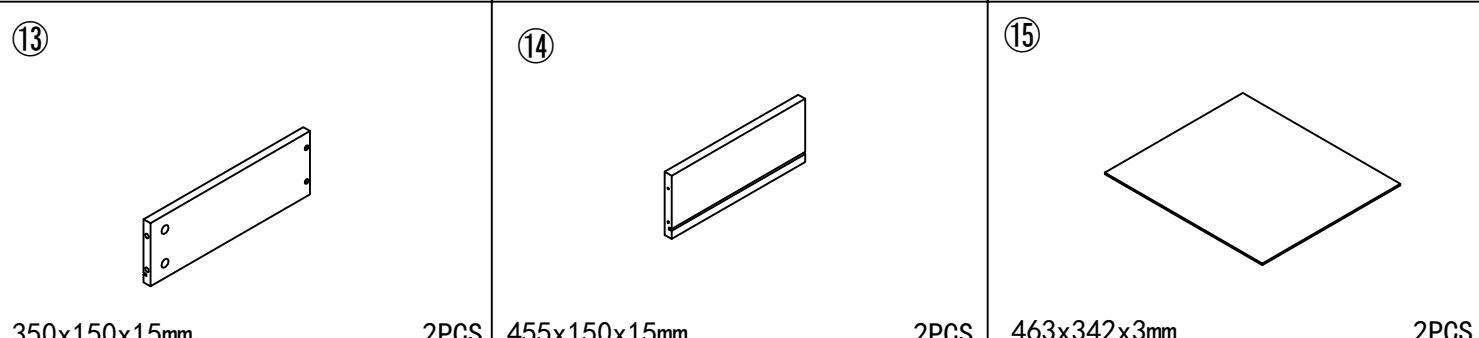
④ 383x255x15mm 1PC ⑤ 383x255x15mm 1PC ⑥ 383x239x15mm 1PC



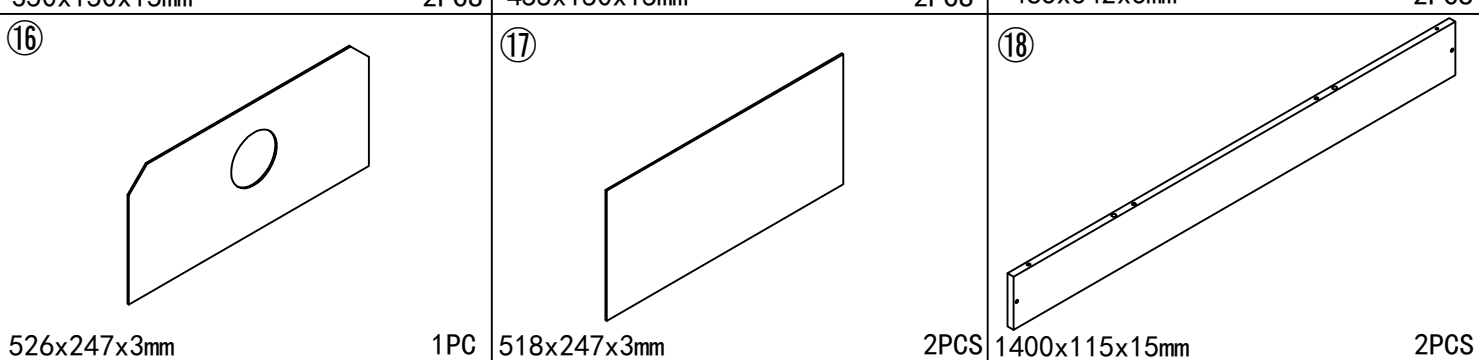
⑦ 383x239x15mm 1PC ⑧ 518x348x15mm 1PC ⑨ 518x40x15mm 1PC



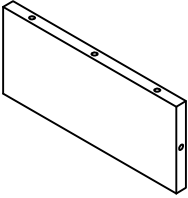
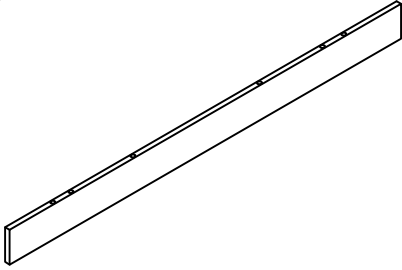
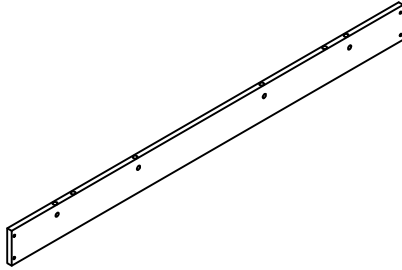
⑩ 518x40x15mm 1PC ⑪ 542x255x15mm 2PCS ⑫ 350x150x15mm 2PCS

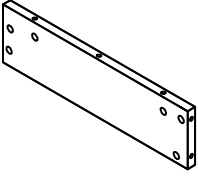


⑬ 350x150x15mm 2PCS ⑭ 455x150x15mm 2PCS ⑮ 463x342x3mm 2PCS

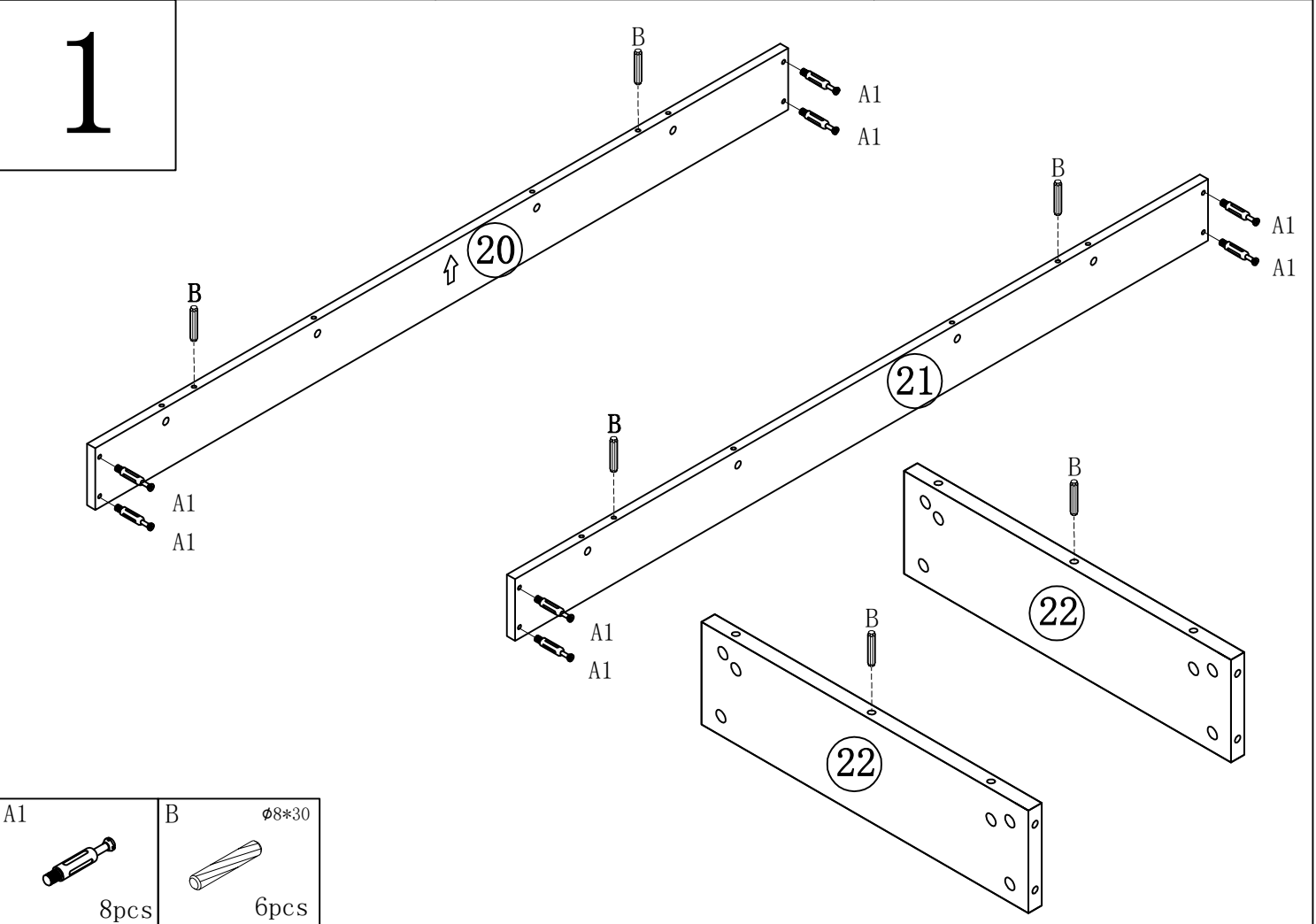


⑯ 526x247x3mm 1PC ⑰ 518x247x3mm 2PCS ⑱ 1400x115x15mm 2PCS

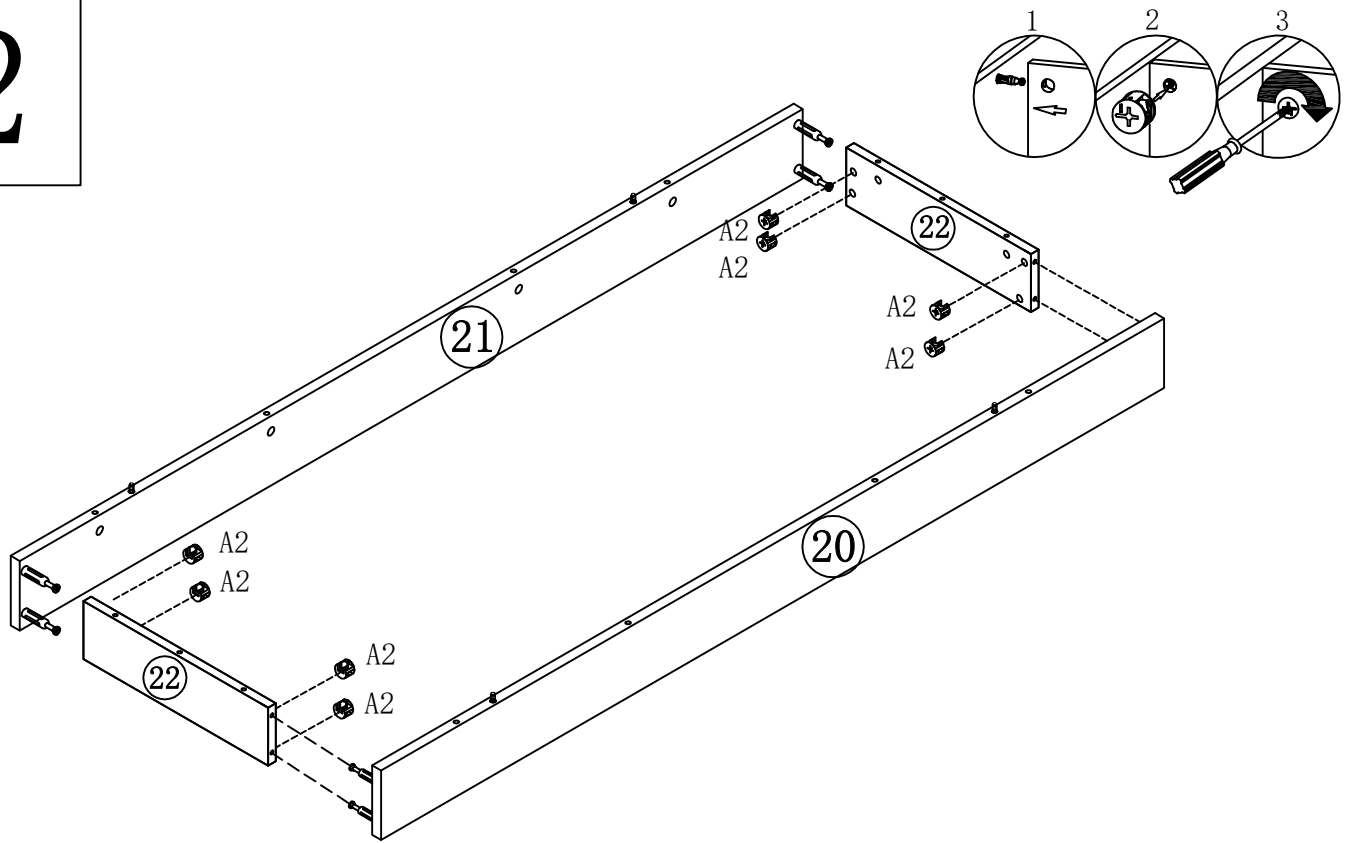
<p>①9</p>  <p>262x115x15mm</p> <p>2PCS</p>	<p>②0</p>  <p>1598x100x15mm</p> <p>1PC</p>	<p>②1</p>  <p>1598x100x15mm</p> <p>1PC</p>
---	--	---

<p>②2</p>  <p>368x100x15mm</p> <p>2PCS</p>		
---	--	--

--	--	--



2

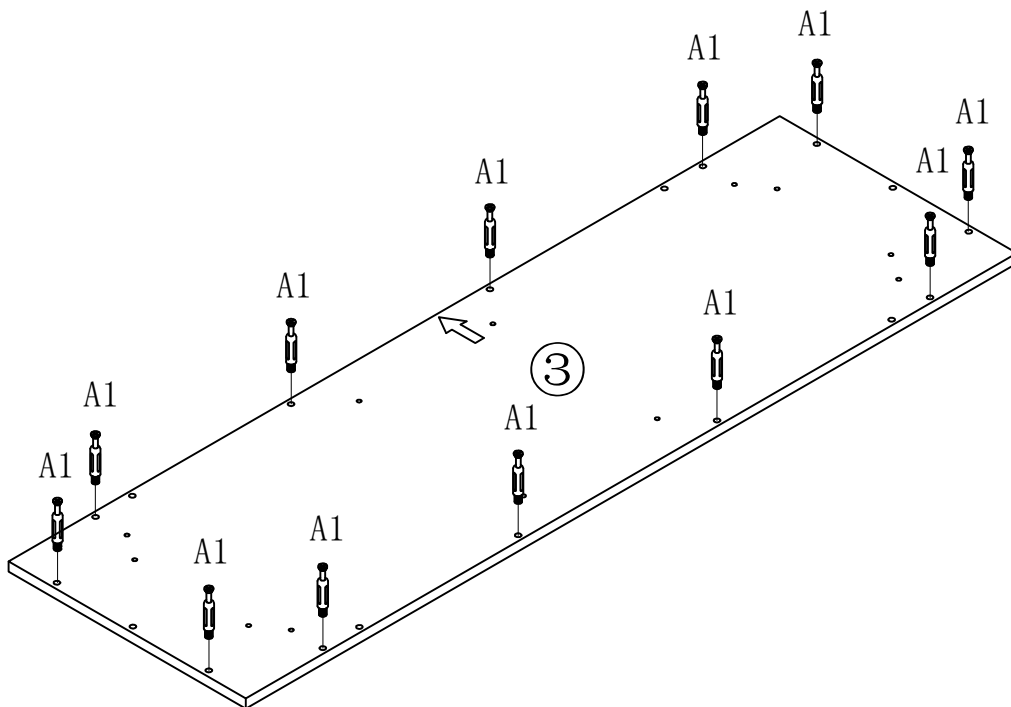


A2



8pcs

3

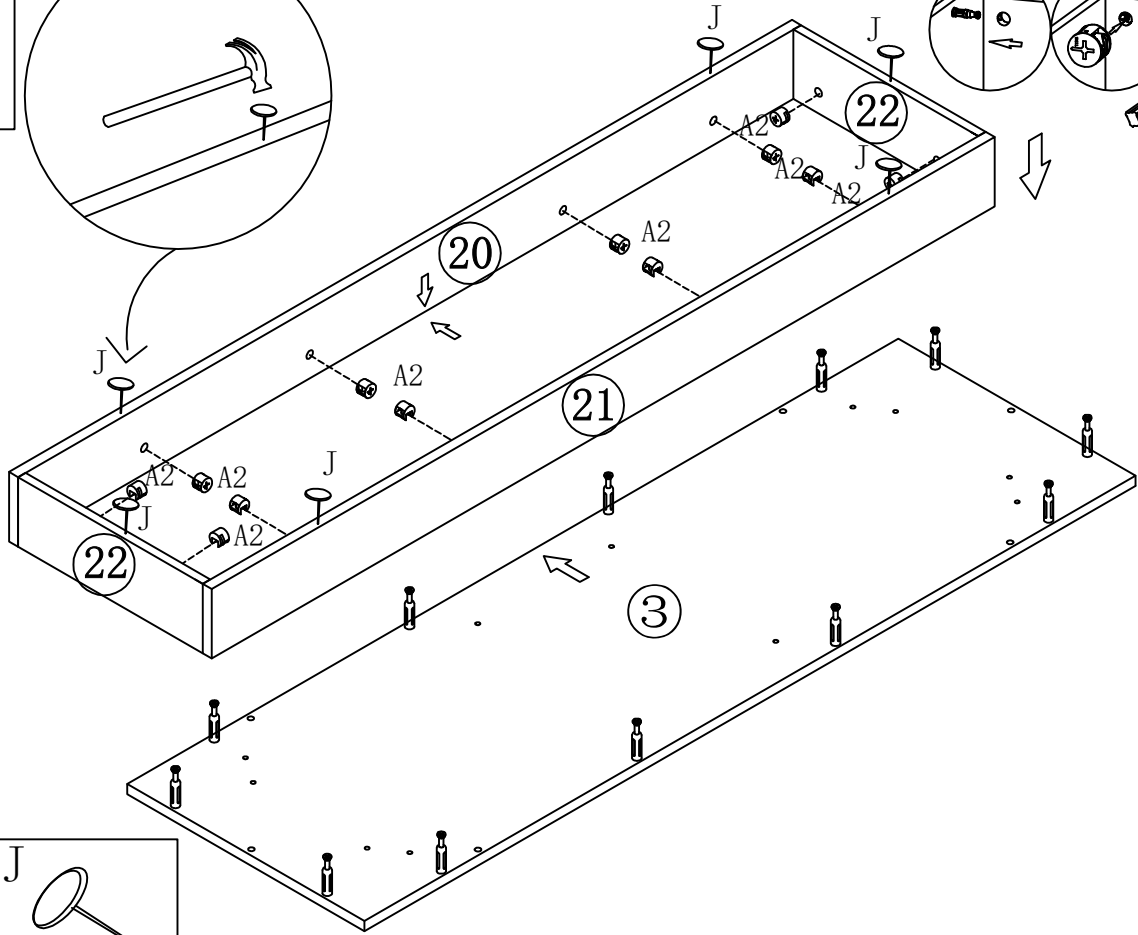
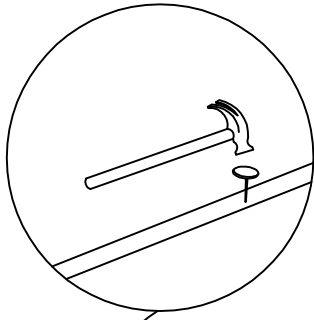


A1



12pcs

4



A2



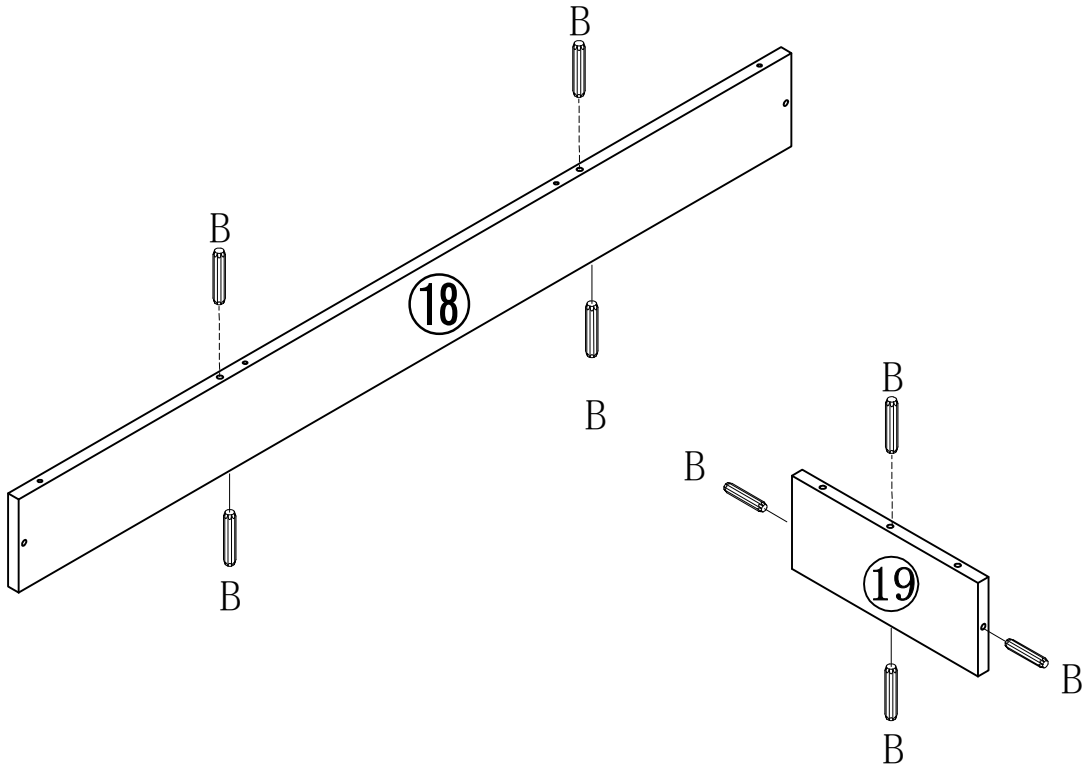
12pcs

J



6pcs

5



B

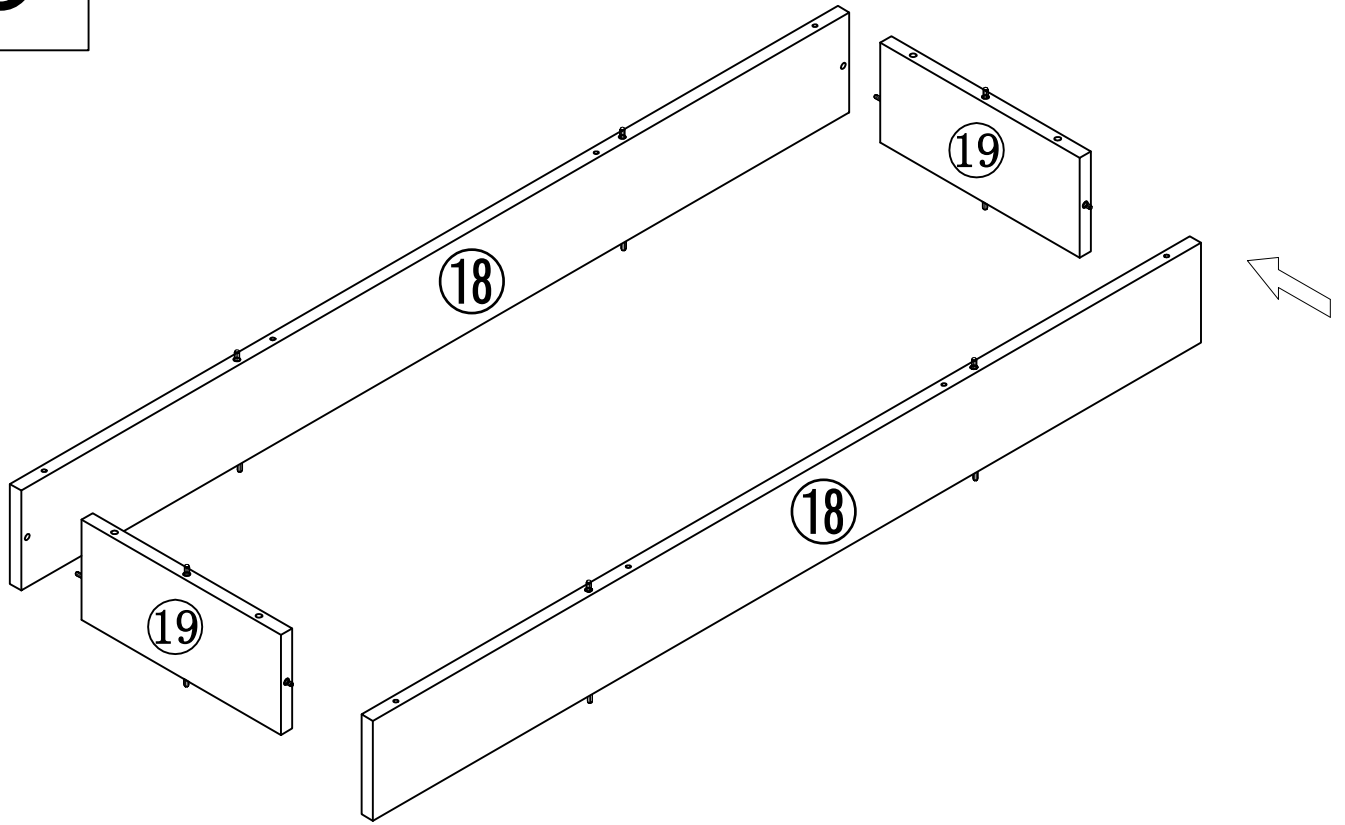
ø8*30



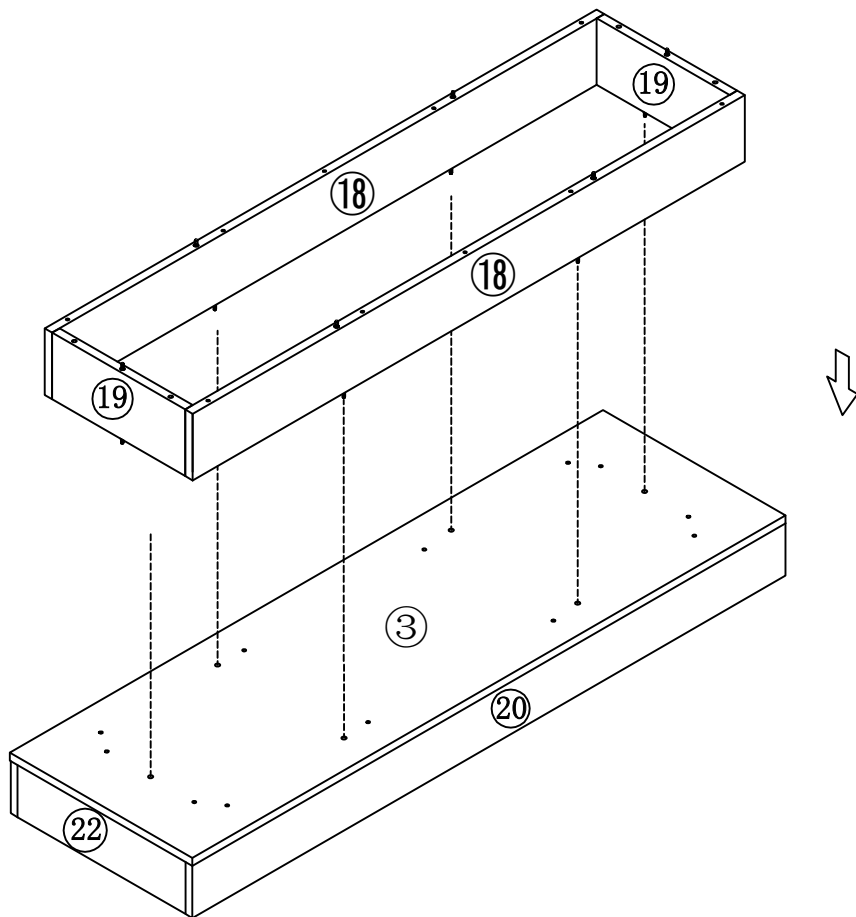
16pcs

X2

6

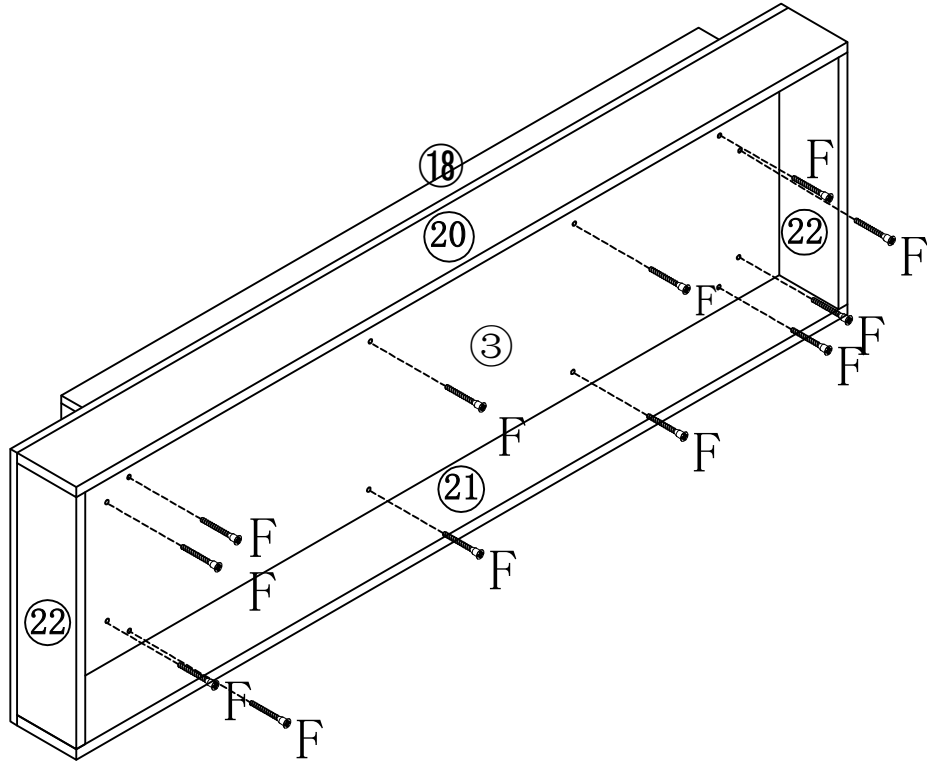


7



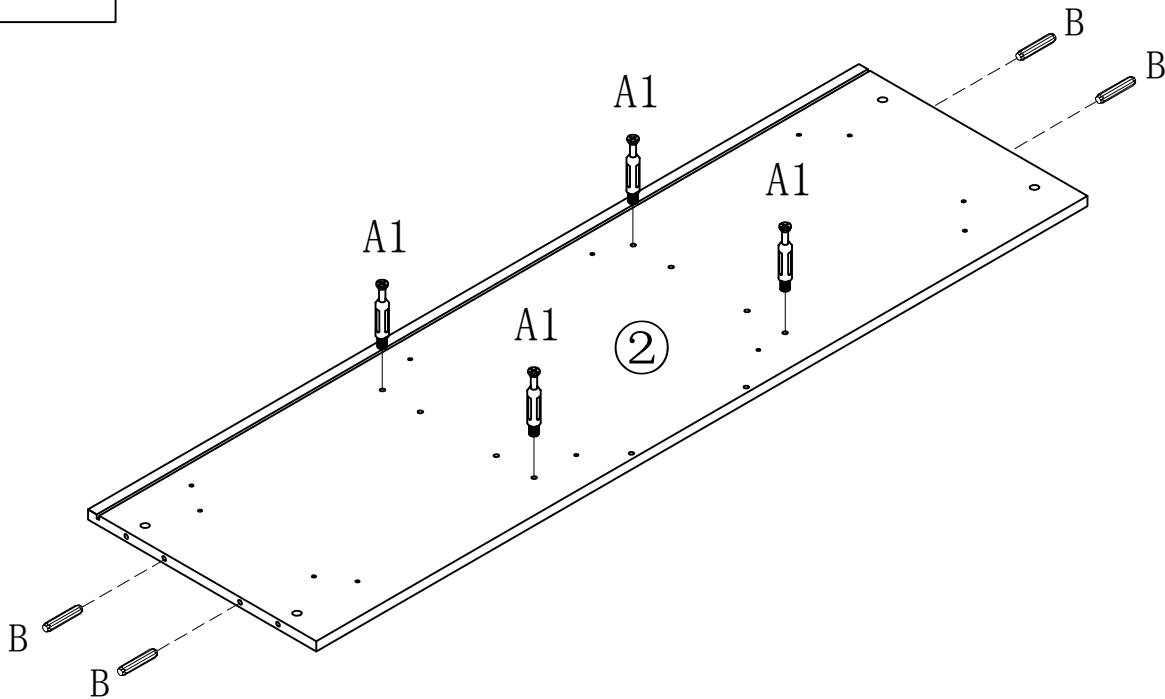
8

Note: Cooperation of two people is recommended for this step.



12pcs

9



A1



4pcs

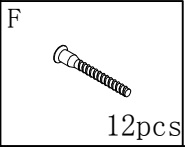
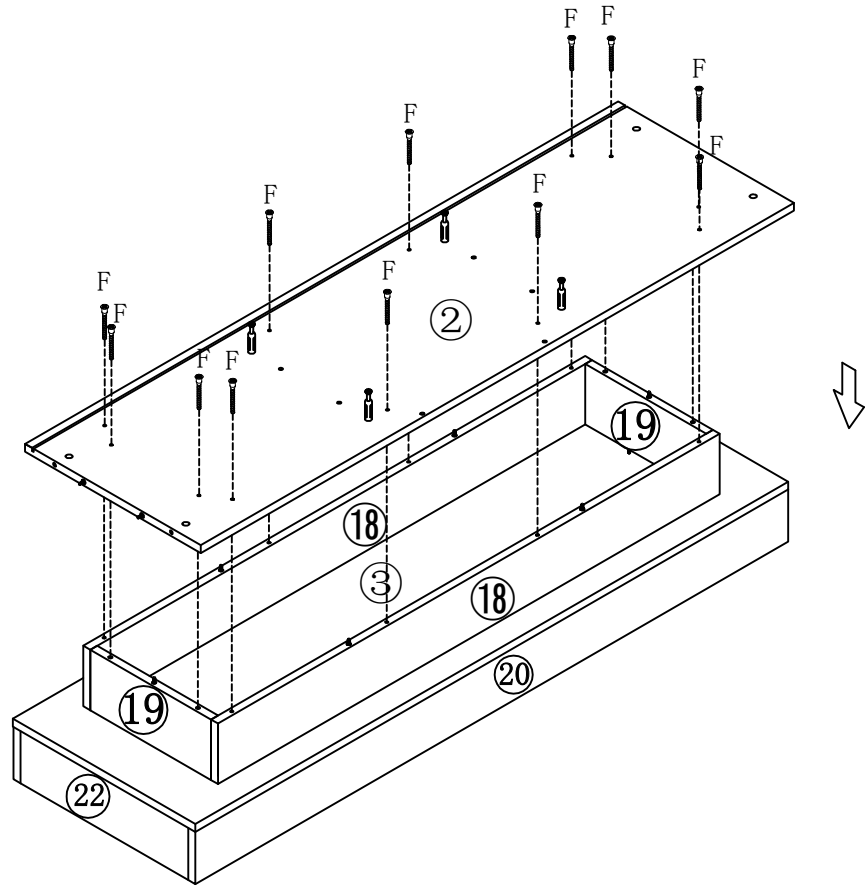
B



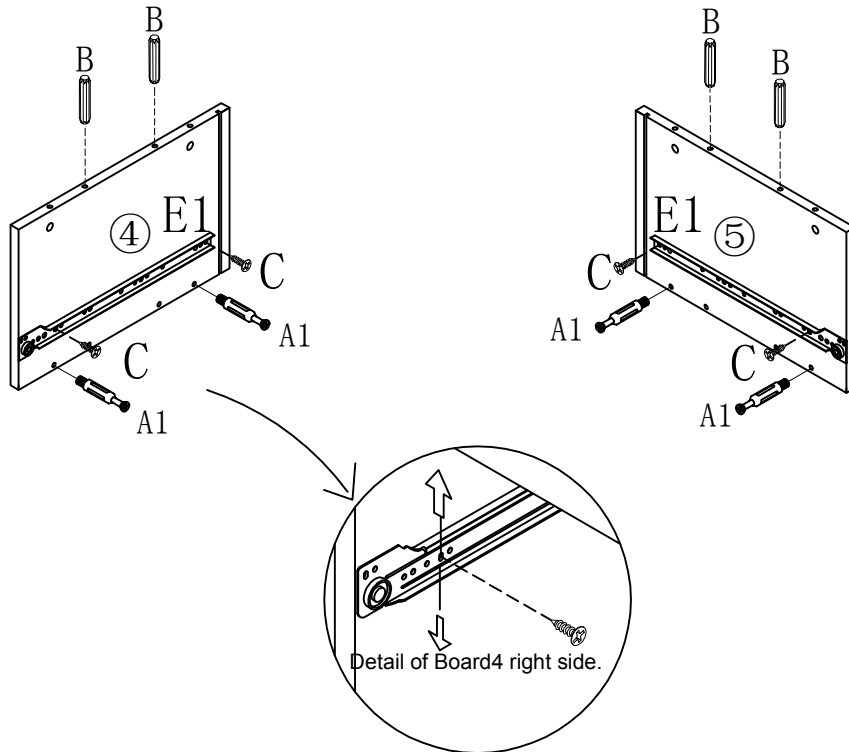
4pcs





ø8*30

10

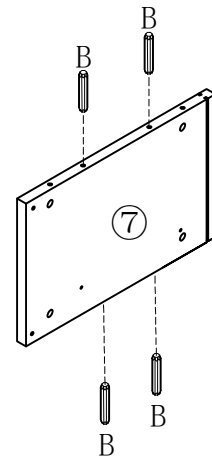
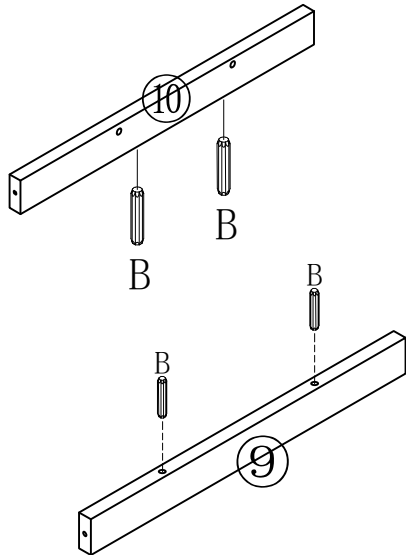
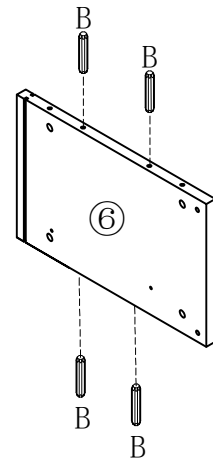
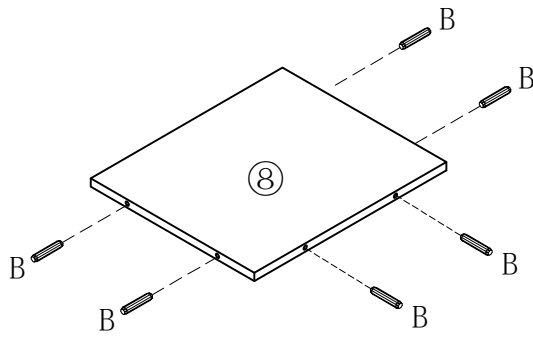


11



<p>A1</p>  <p>4pcs</p>	<p>B $\phi 8 \times 30$</p>  <p>4pcs</p>	<p>C $\Phi 3.5 \times 14$</p>  <p>4pcs</p>	<p>E1</p>  <p>1pc</p>
--	--	--	--

12



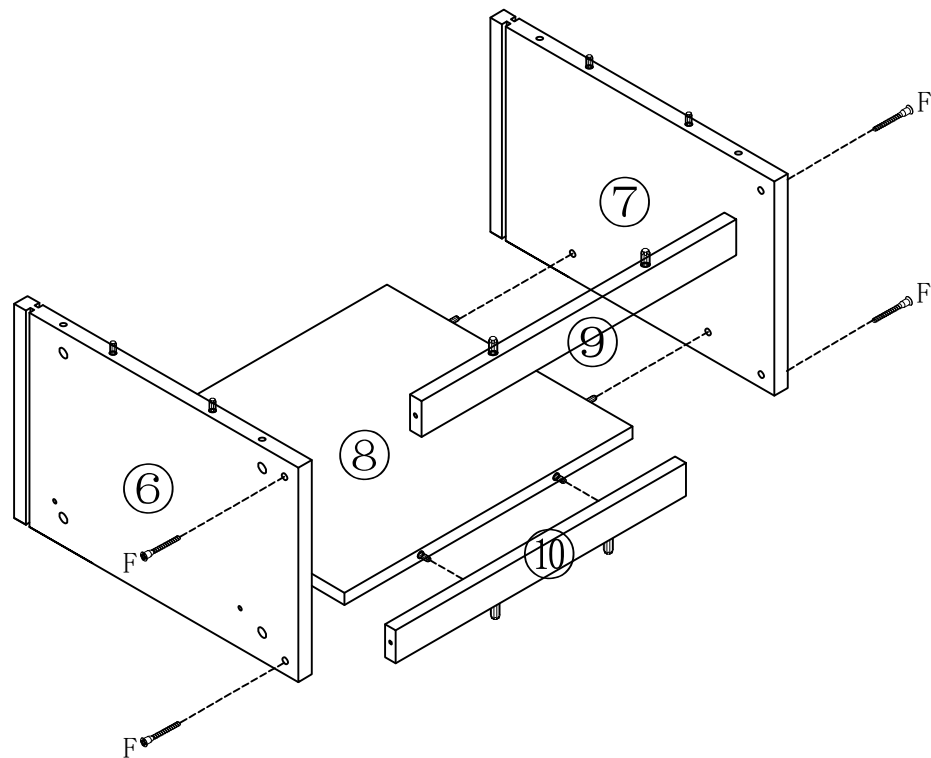
B $\phi 8 \times 30$



18pcs

13

Note: The glossy side of Board 9 and Board 10 facing outward.

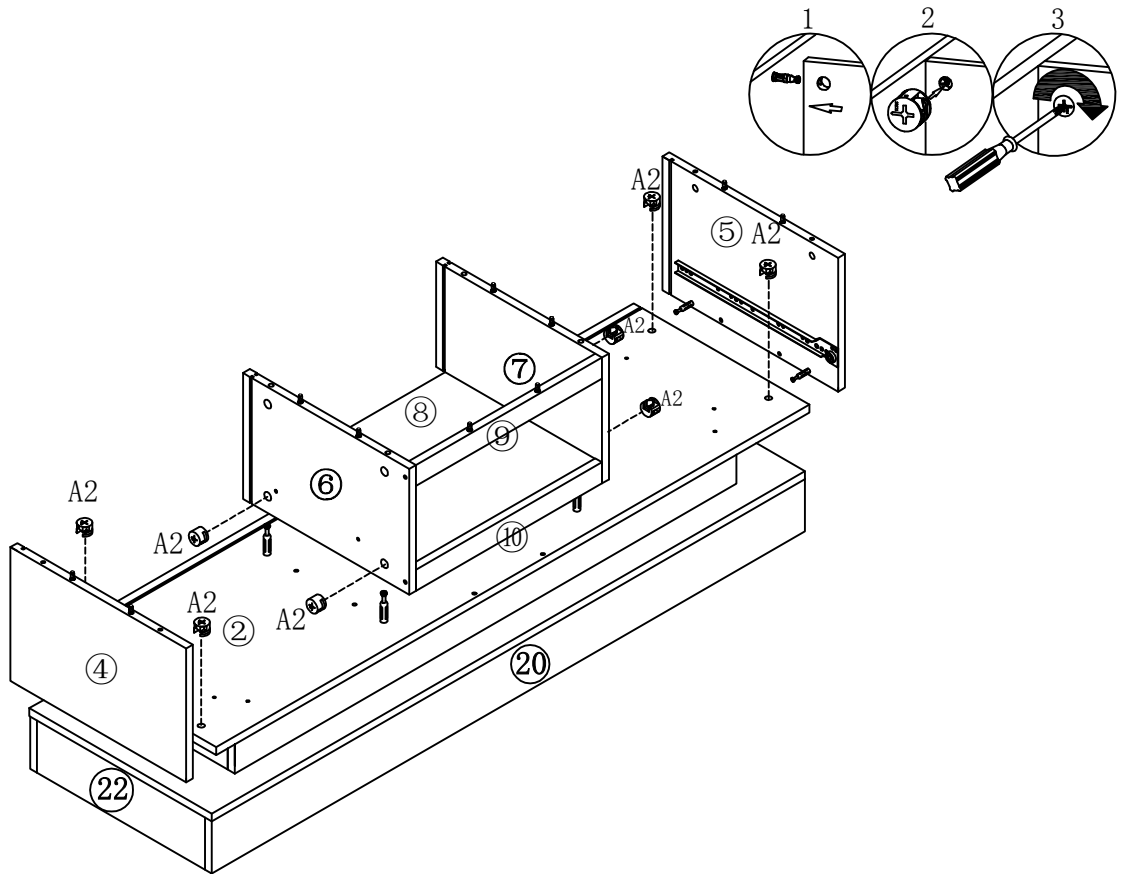


F

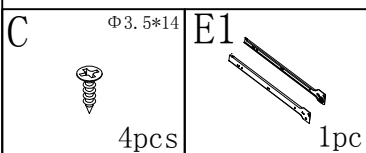
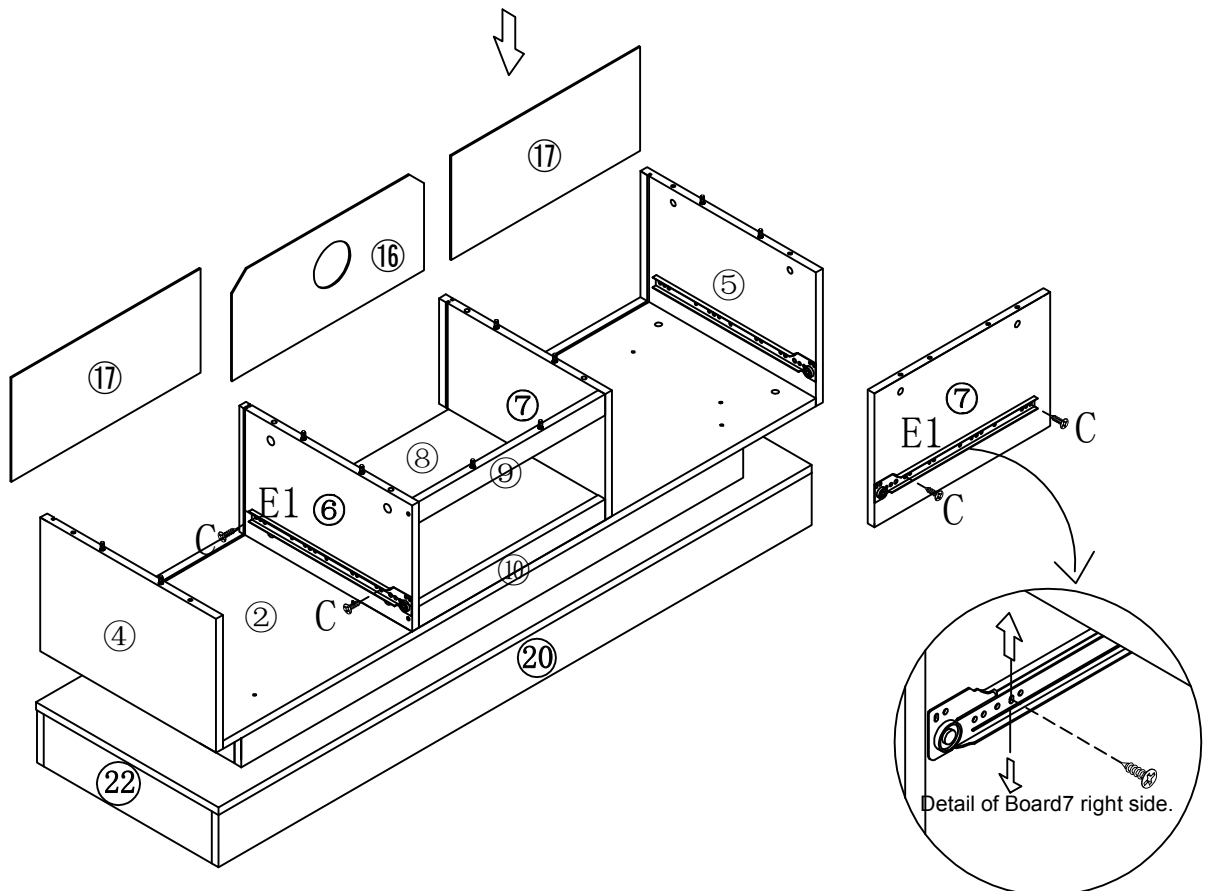


4pcs

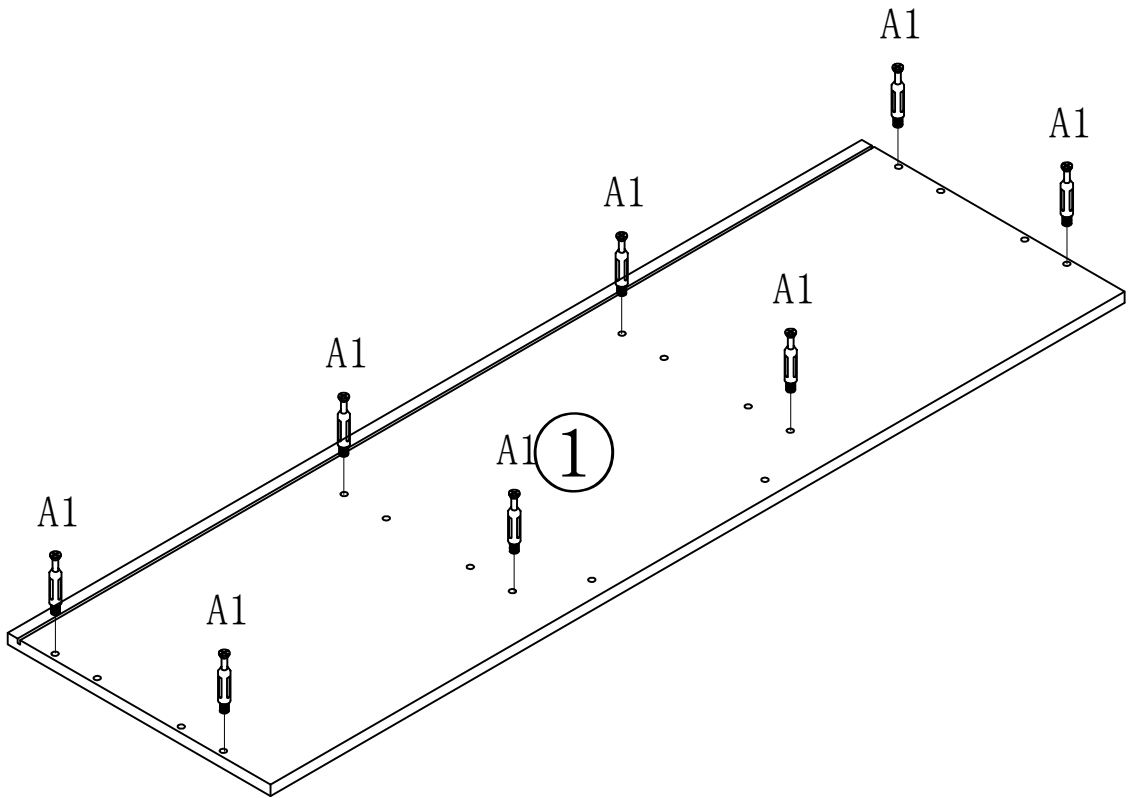
14



15



16

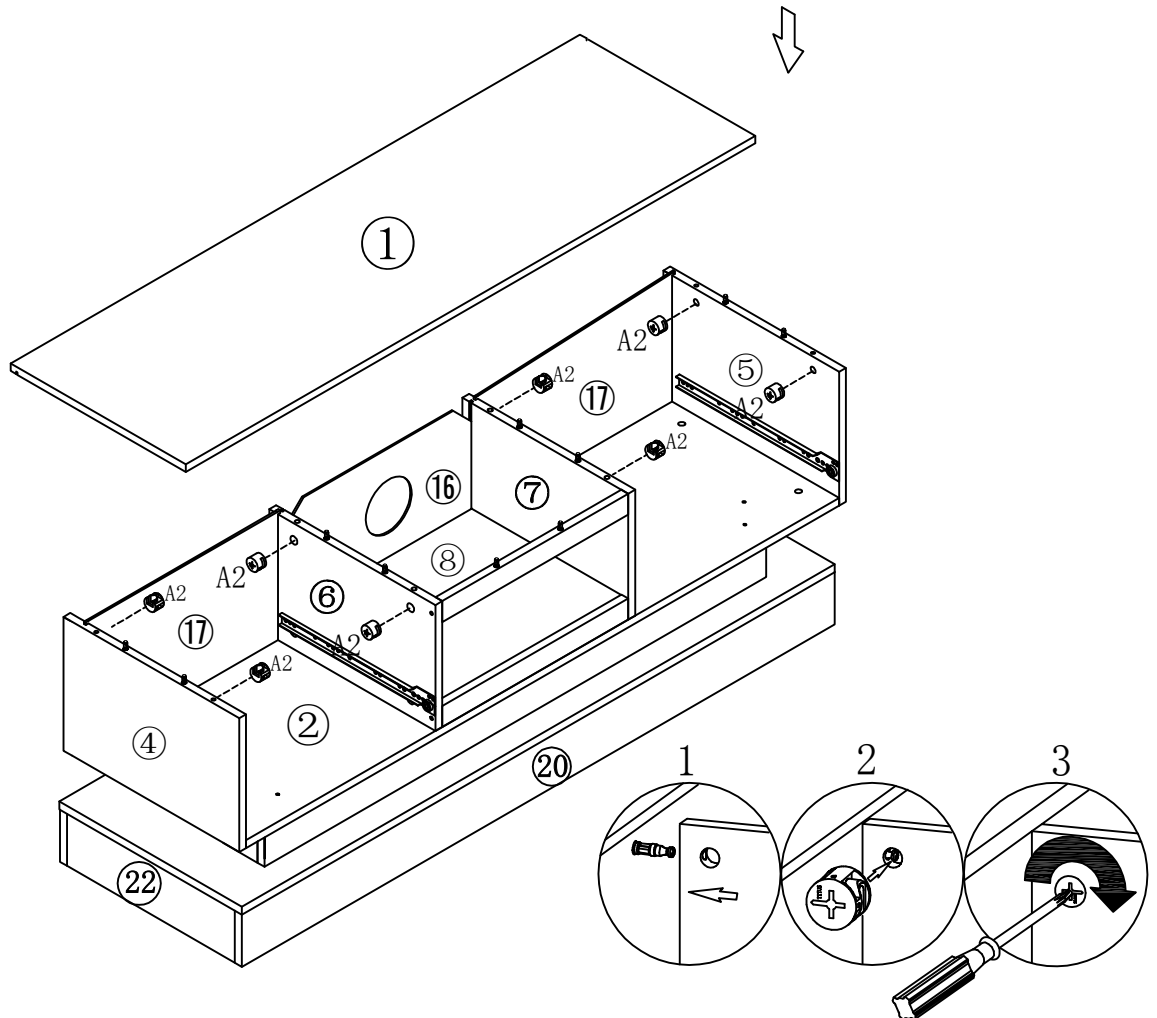


A1



8pcs

17

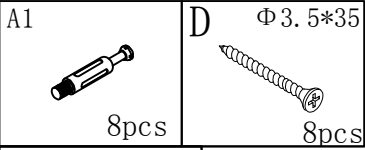
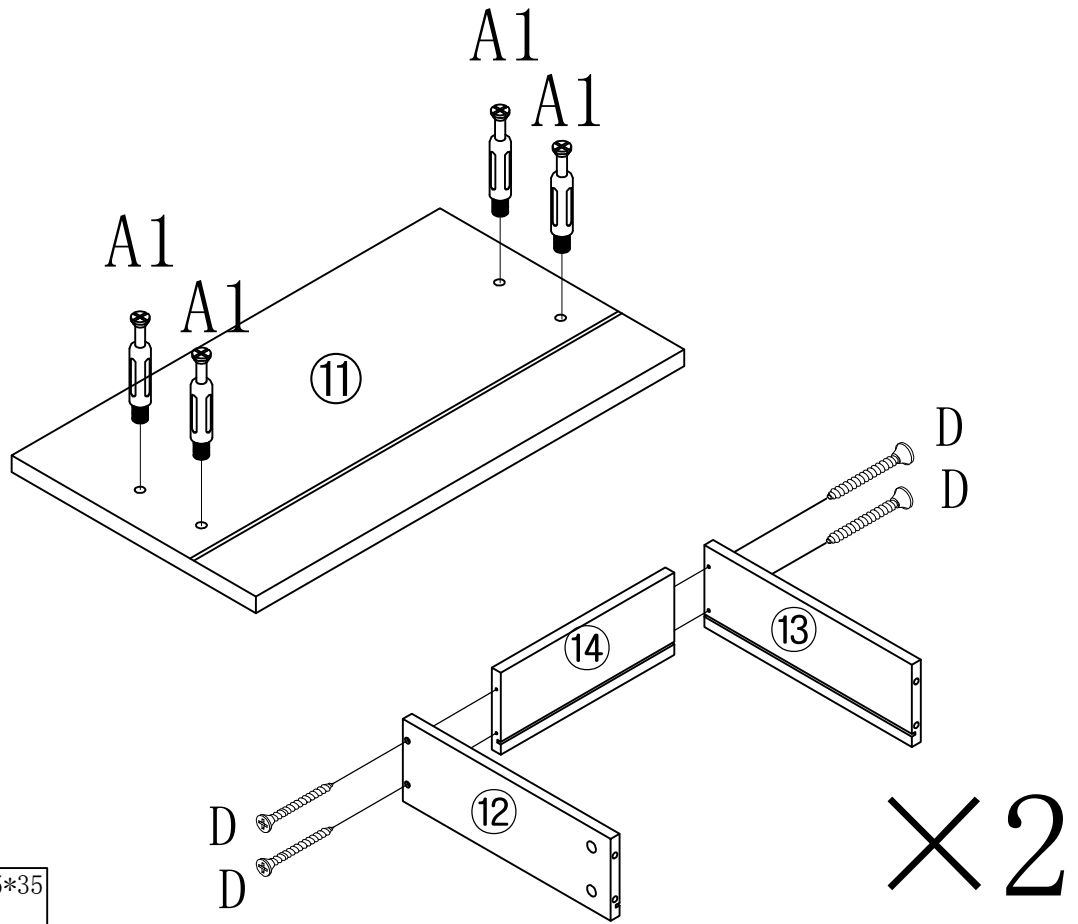


A2

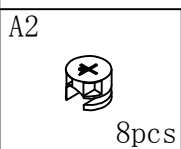
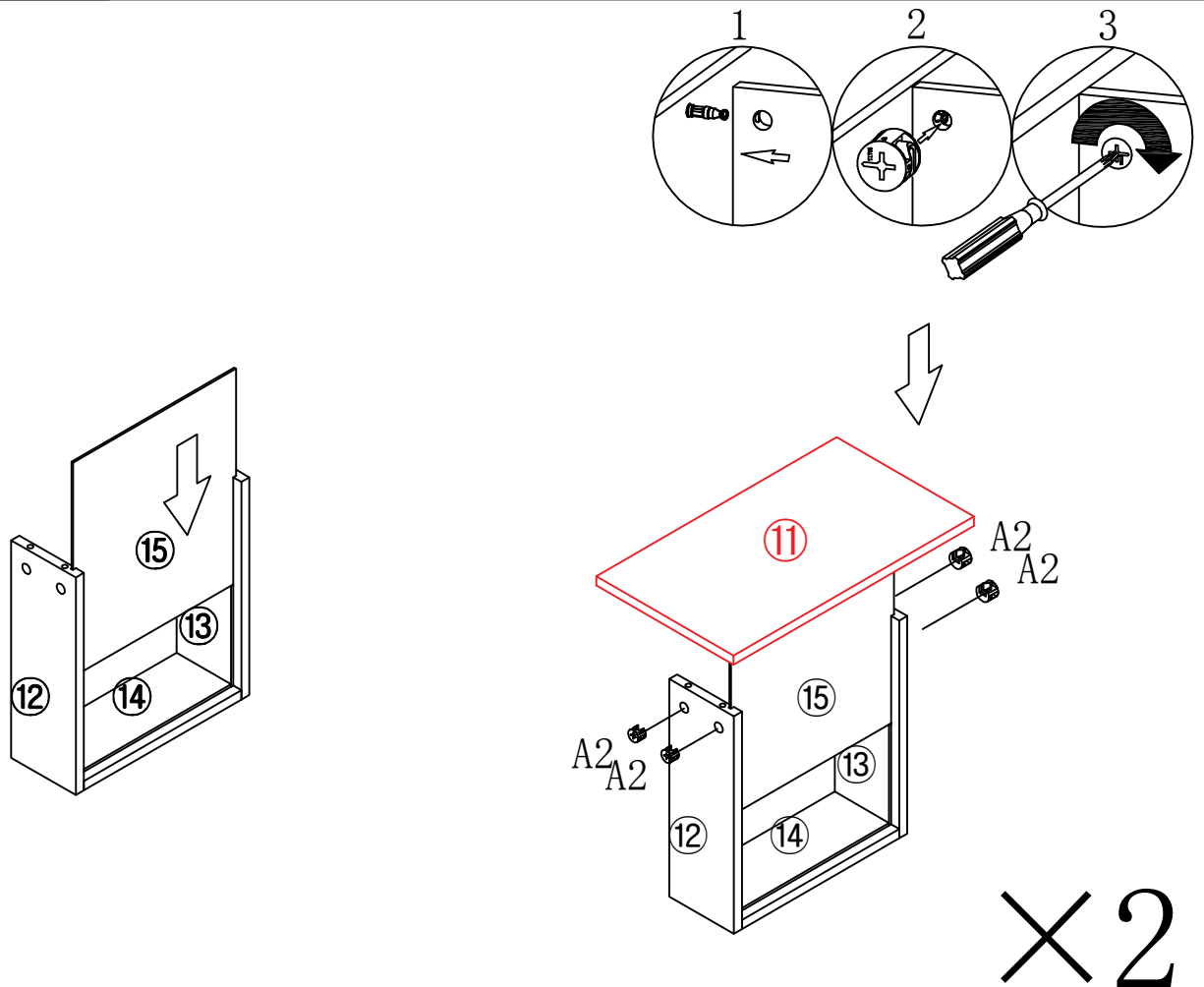


8pcs

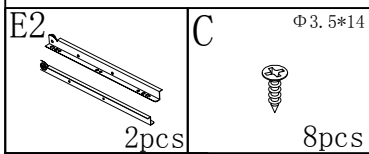
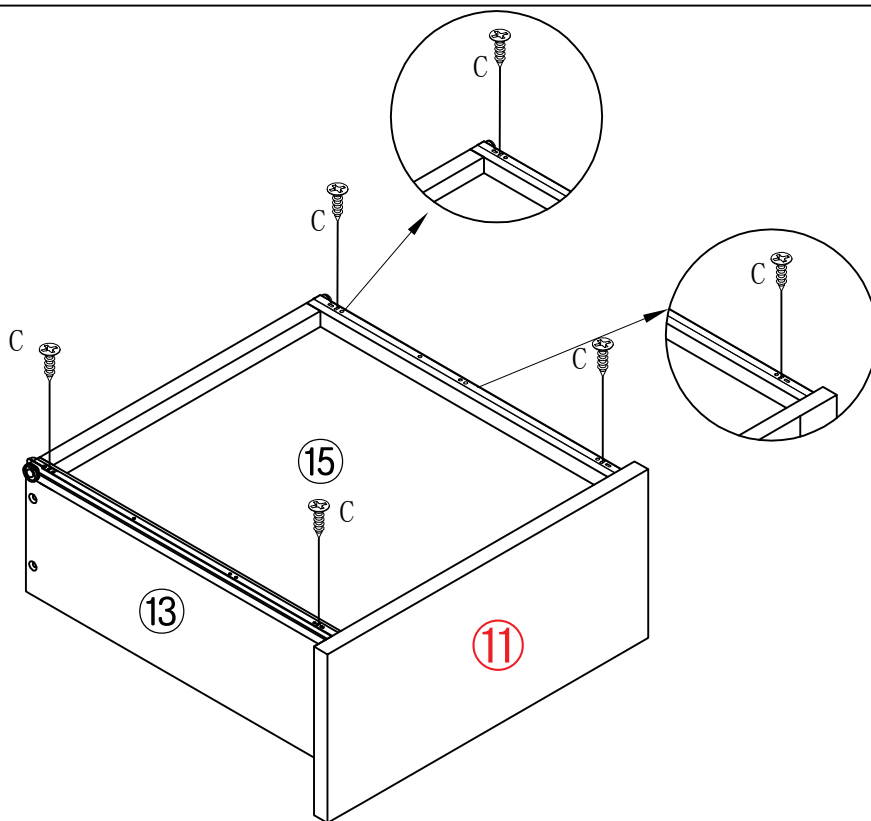
18



19

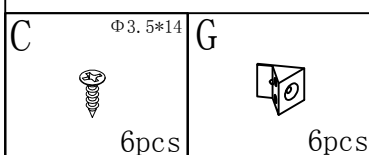
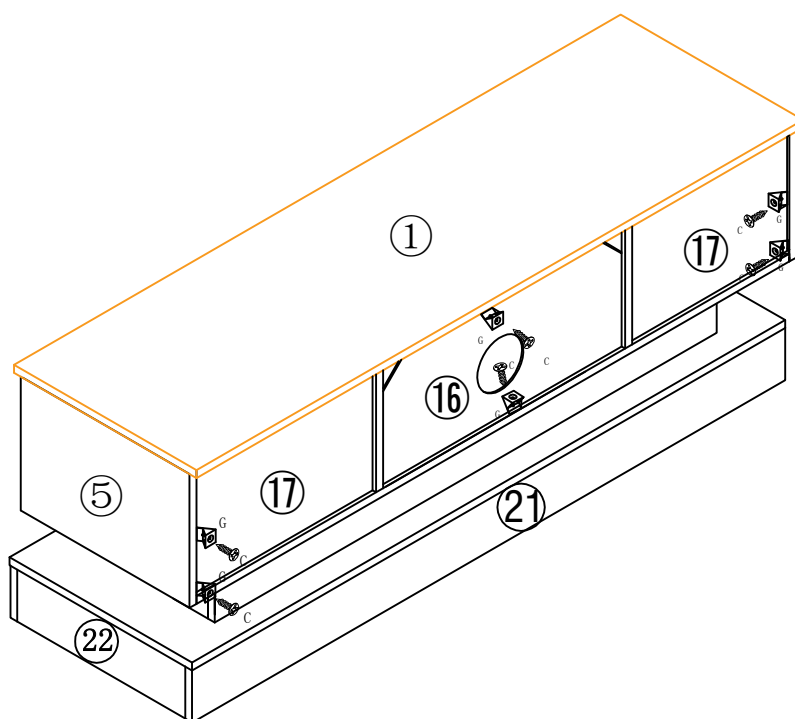


20

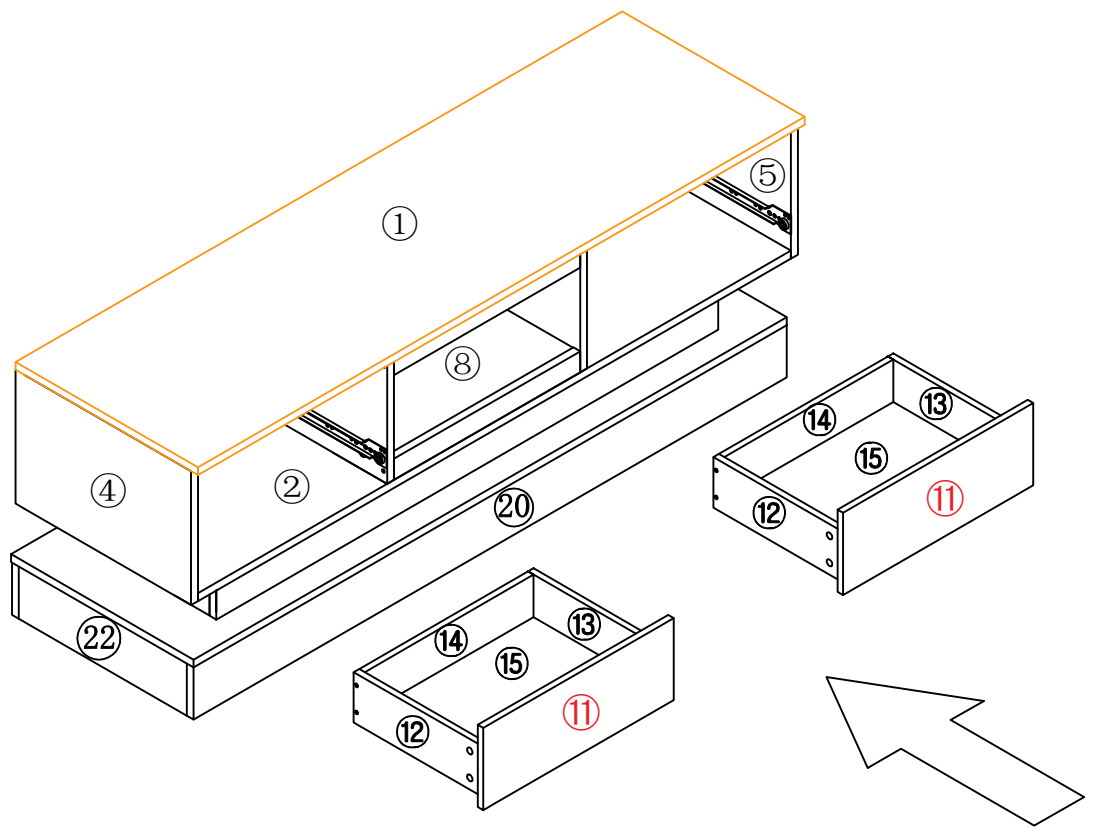


×2

21

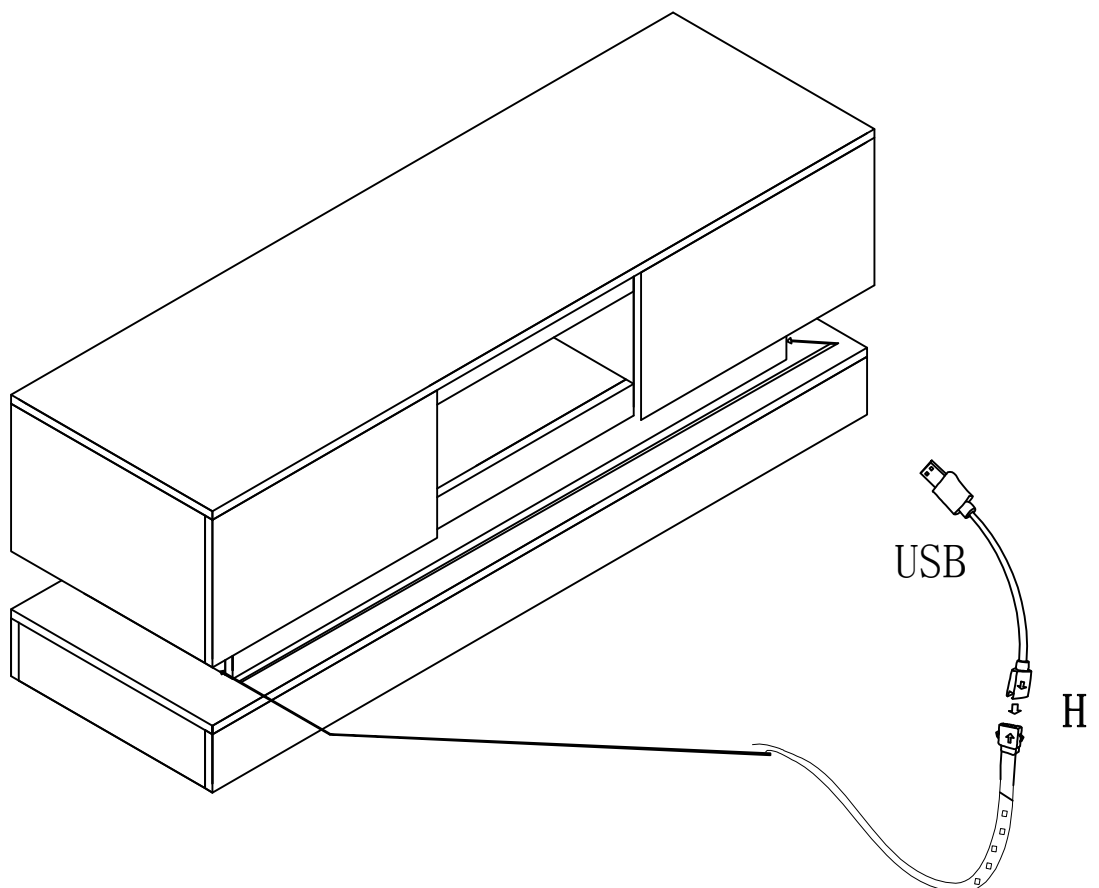


22



23

Stick the LED belt (Hardware H) to the bottom of Board 2, making it invisible.



H



USB-LED

1pc