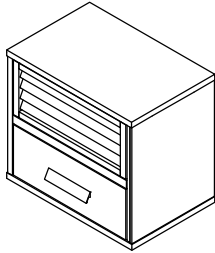


# Assembly Instruction

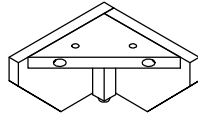
## NIGHT STAND

**A** Night Stand



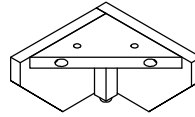
1 pc

**B** Wooden Leg-L



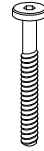
2 pcs

**C** Wooden Leg-R



2 pcs

**D** Screw-JCBC  
M6 x 35mm



8 pcs

**E** Spring Washer  
M6



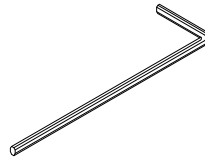
8 pcs

**F** Flat Washer  
M6

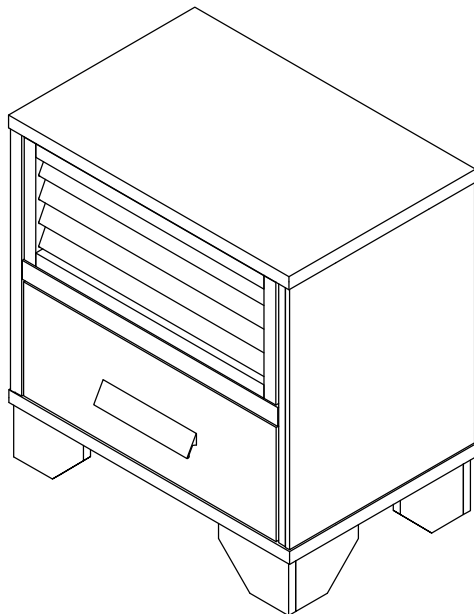


8 pcs

**G** Allen Key  
M4

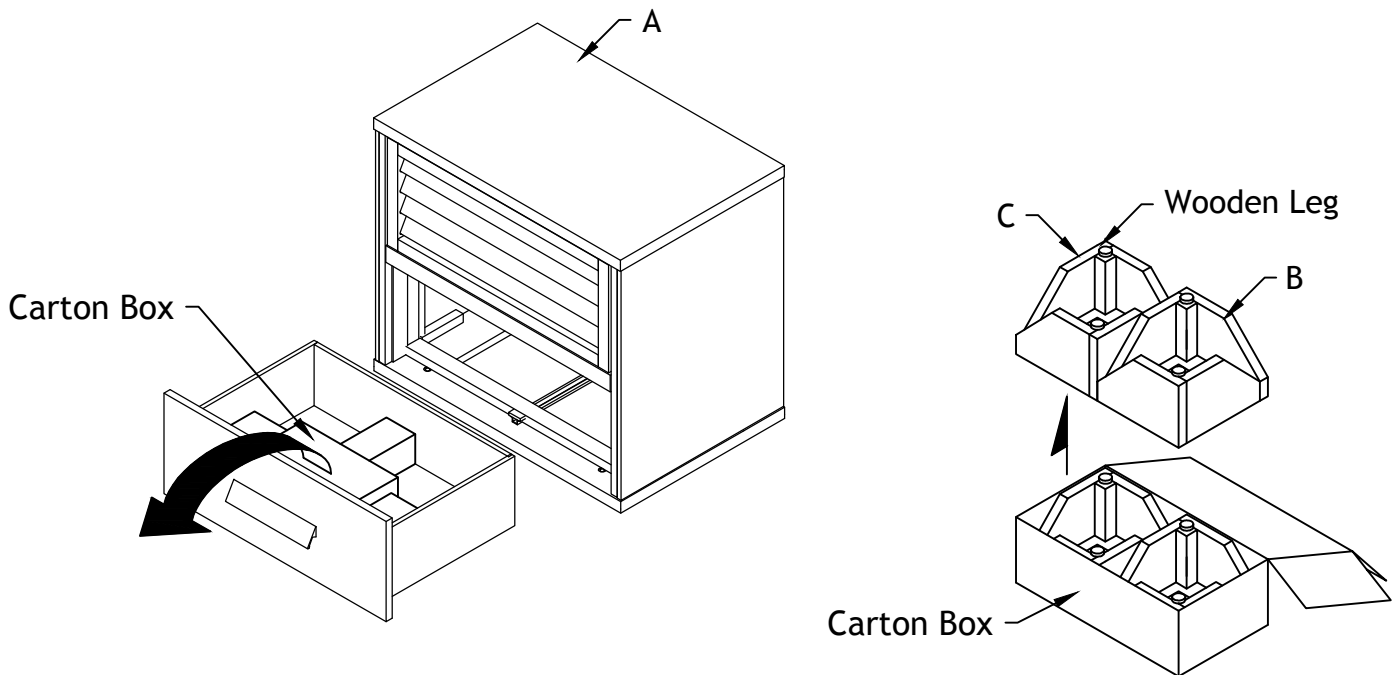


1 pc

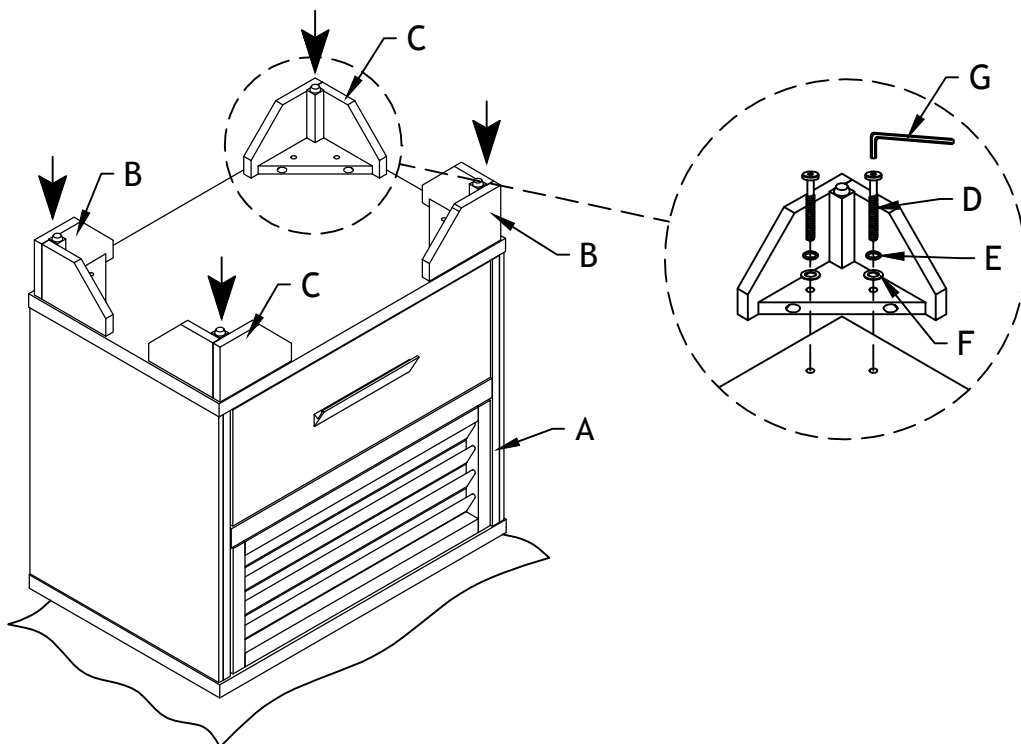


This page lists all the contents included in the box. Please take time to identify the hardware as well as the individual components to this product. As you unpack and prepare for assembly, place the contents on a carpeted or padded area to protect them from damage.

- 1** Take out the Wooden Leg carton box from 2nd drawer.



- 2** Upside down the Night Stand(A), attach 4pcs Wooden Legs(B) (C) and install use Screw-JCBC(D), Spring Washer(E) and Flat Washer(F), tighten by using Allen Key(G).



## Cleaning & Care

Treat surface with care. Surface is resistant to scratches but is not scratch resistant. Clean surface with a dry or damp soft cloth. Do not use abrasive cleaners. Hardware may loosen over time. Periodically check that all connections are tight.