



Vault™

Under-mount Apron Front Kitchen Sink

K-3943

Features

- 36-inch minimum base cabinet width.
- 18-gauge stainless steel.
- Under-mount.
- Large single bowl.
- With integral shortened self-trimming apron.
- 35-1/2" (902 mm) x 21-1/4" (540 mm)

Optional Accessories

K-8801 Sink Strainer

Components

Product includes:

91915 Hardware Kit

K-6474 Sink Rack

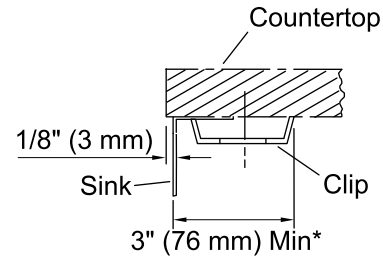
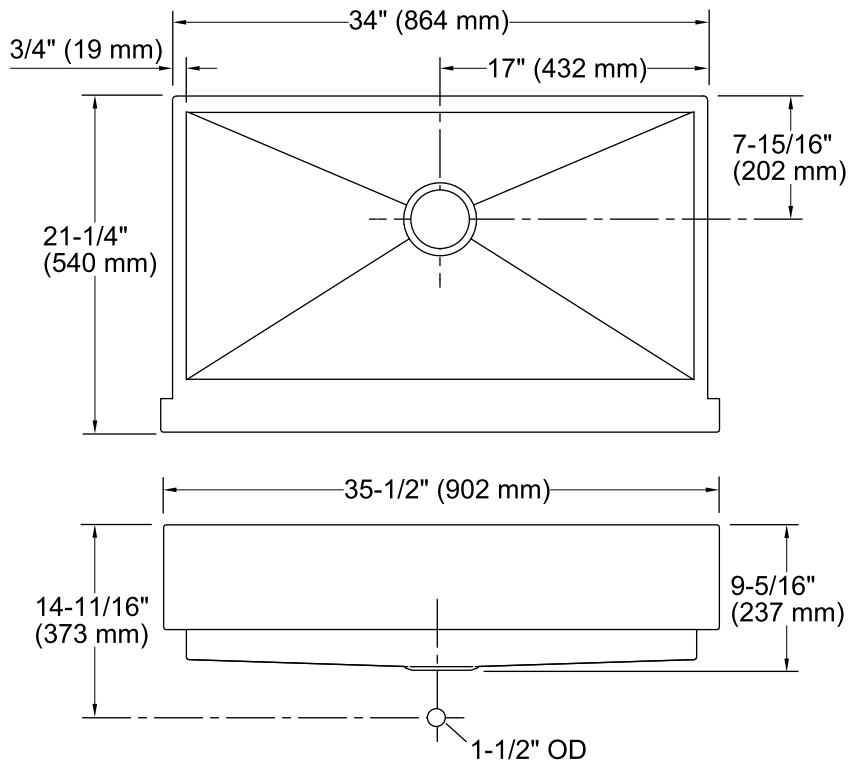


Codes/Standards

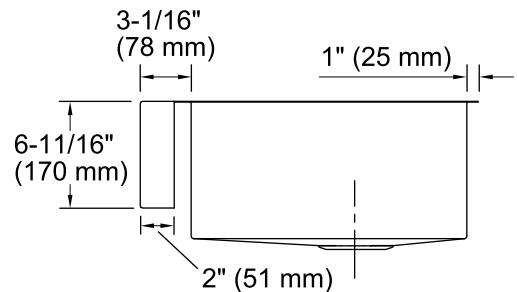
ASME A112.19.3/CSA B45.4

**Lifetime Limited Warranty for
KOHLER® Stainless Steel Sinks**

See website for detailed warranty information.



*Allow clearance around the back sink rim for clip attachment.



Technical Information

All product dimensions are nominal.

Bowl configuration:	Single
Installation:	Top-mount
Min. base cabinet width:	36" (914 mm)
Bowl area (Only)	Length: 32-1/2" (826 mm) Width: 17-3/16" (437 mm) Bowl depth: 9" (229 mm)
Drain hole:	3-11/16" (94 mm)
Template:	Top-mount, 1166719-7, required, included

Notes

Install this product according to the installation guide.

Allow a minimum of 3" (76 mm) clearance for the back 1" (25 mm) sink rim flange for clip attachment.

The 3/4" (19 mm) side rim flanges are supported without using the clip attachment. See the installation guide for further instructions.