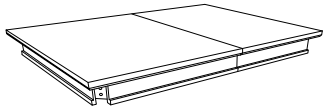


# ASSEMBLY INSTRUCTION

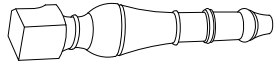
## RECTANGULAR DINING TABLE 60"-78" WITH LEAF

**A** Table Top



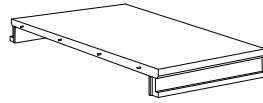
1 PC

**B** Leg



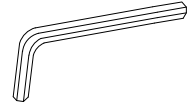
4 PCS

**C** Leaf



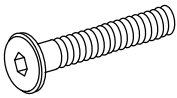
1 PC

**D** Allen Wrench  
M5 x 60mm



1 PC

**E** JCBB Bolt  
M8 x 70mm



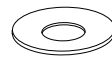
8 PCS

**F** Lock Washer  
M8

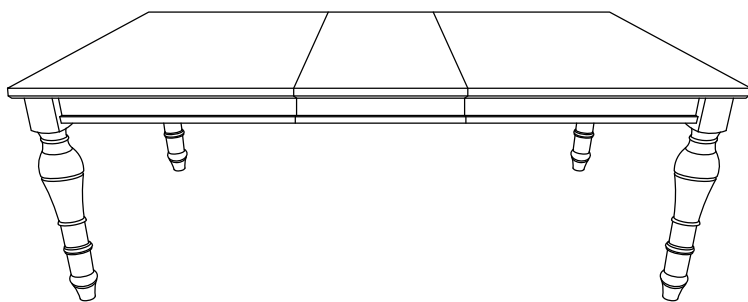


8 PCS

**G** Flat Washer  
M8



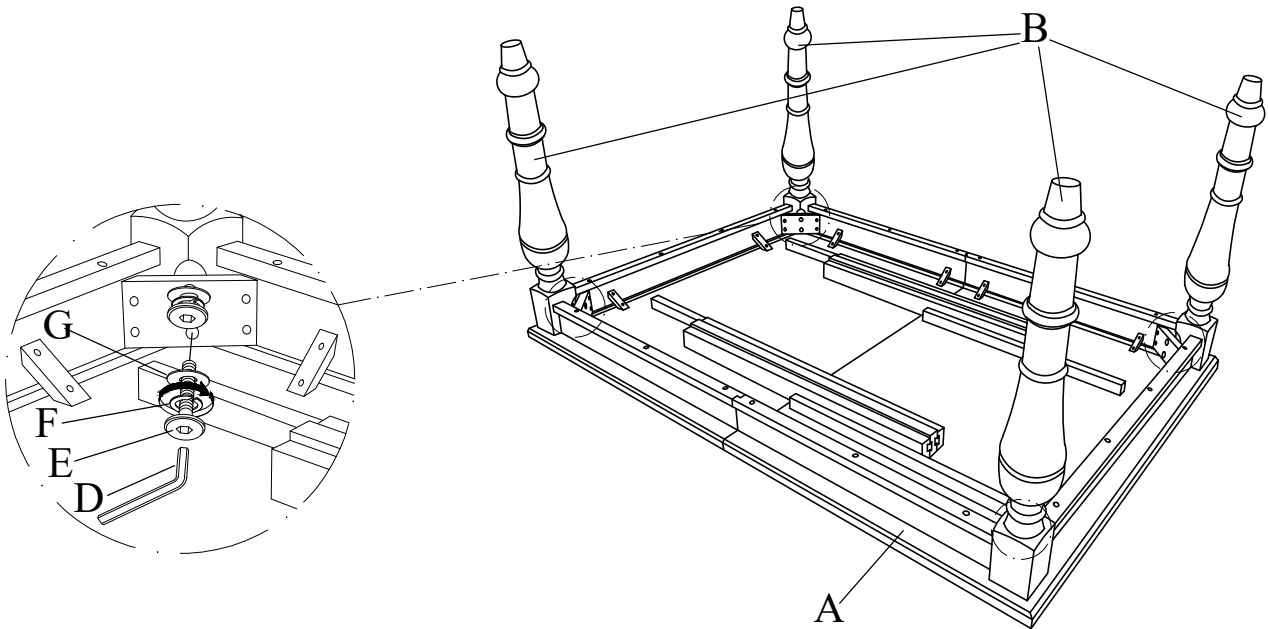
8 PCS



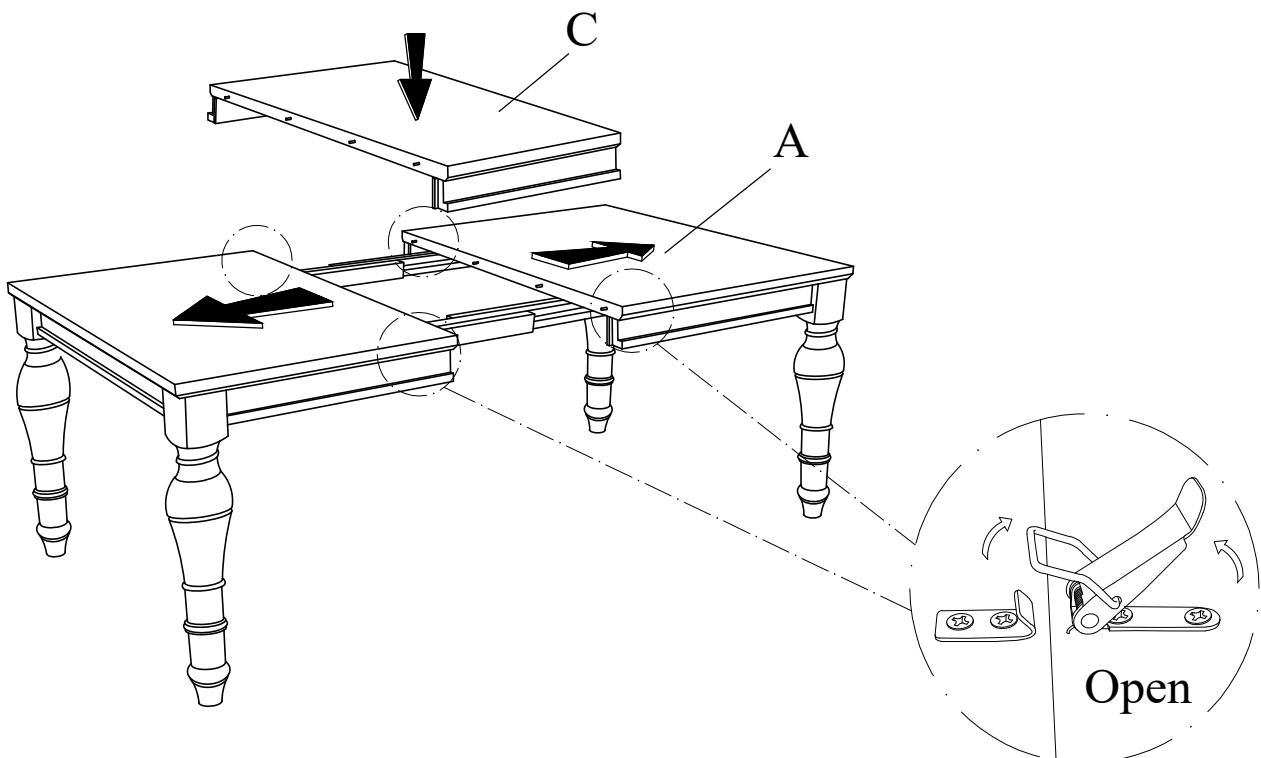
This page lists all the contents included in the box. Please take the time to identify the hardware as well as the individual components to this product. As you unpack and prepare for assembly, place the contents on a carpeted or padded area to protect them from damage.

**1** Place Table Top (A) upside down on a soft surface. Align and fasten Leg (B) to each corners of Table Top (A) using JCBB Bolt (E), Lock Washer (F), Flat Washer (G) and tighten with Allen Wrench (D).

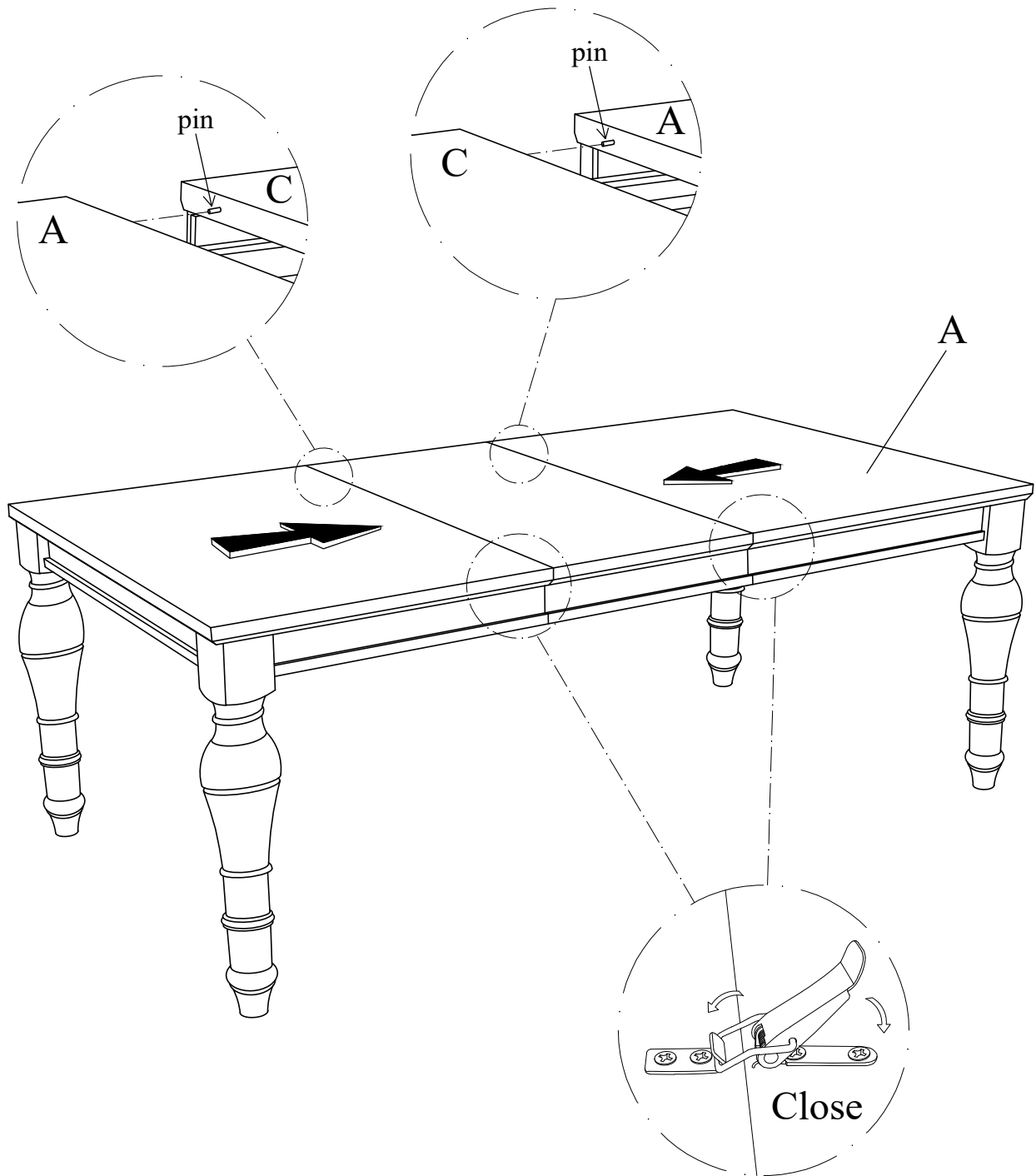
**\*\* Fully tighten all the bolts at this step.**



**2** Stand the Table up. Unlock the latches underneath Table Top (A). Pull apart the Table Top (A) at both ends and place Leaf (C) into place.



**3** Push both ends of Table Top (A) to close and make sure the pins are lined up. Lock all latches underneath the Table Top (A).



### Cleaning & Care

Treat surfaces with care. Surface is resistant to scratches but is not scratch resistant. Clean surfaces with a dry or damp soft cloth. Do not use abrasive cleaners. Hardware may loosen over time. Periodically check that all connections are tight.