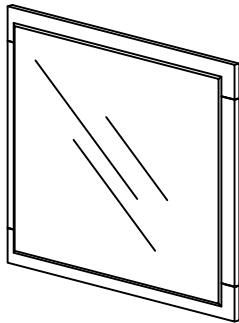
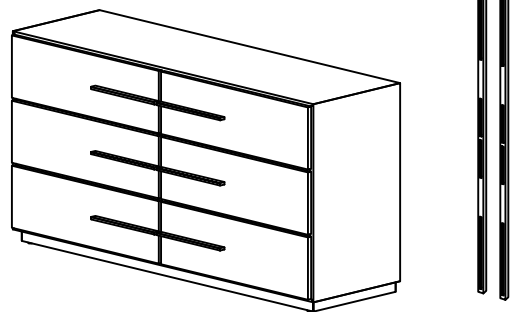


DRESSER MIRROR ASSEMBLY INSTRUCTIONS

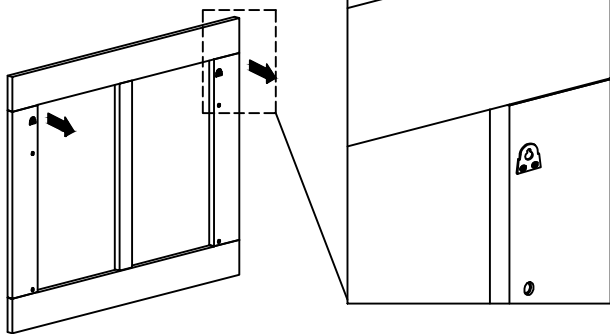
BOX DRESSER MIRROR






BOX DRESSER 6 DRAWER



OPTION 1 WALL MOUNTING



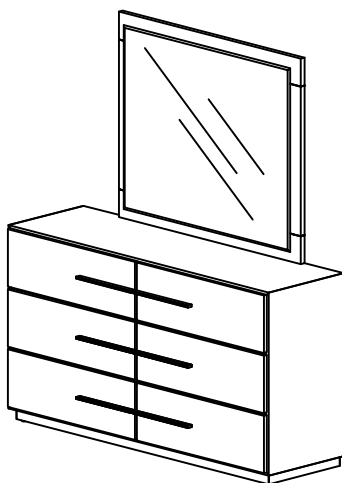
HARDWARE PACKED IN BOX

1	ALLEN BOLT (M6X40)		8 PCS
2	FLAT WASHER (M6X16)		8 PCS
3	ALLEN KEY (L4)		1 PC

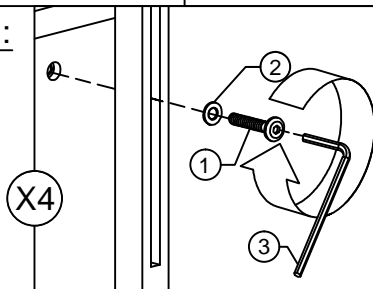
WARNING

FOR YOUR SAFETY AND CONVENIENCE
ASSEMBLY BY TWO PEOPLE IS RECOMMENDED

OPTION 2 DRESSER MOUNTING



STEP 1 :



STEP 2 :

