

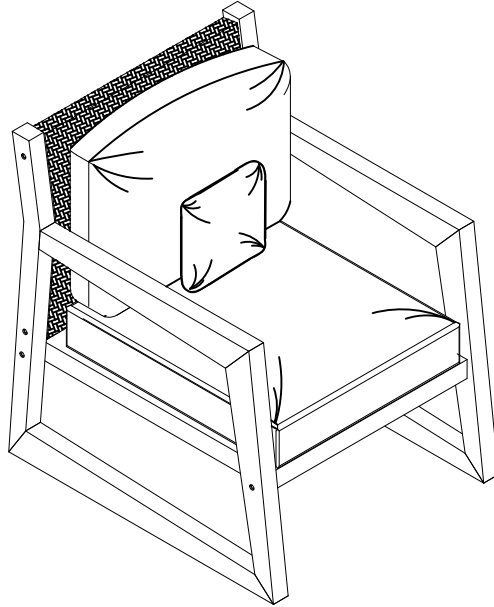
INSTRUCTION MANUAL ENCLOSED

ATTENTION

**IF YOU HAVE ANY PROBLEMS OR QUESTIONS, EMAIL OR CALL
CUSTOMER SERVICE BEFORE YOU RETURN THIS PRODUCT TO THE**

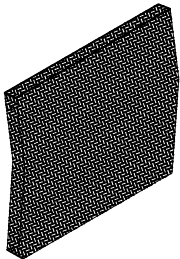
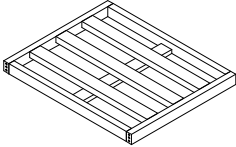
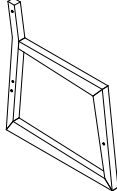
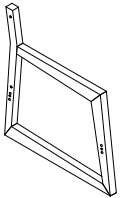
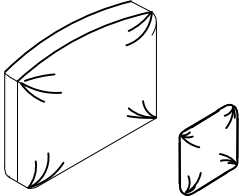
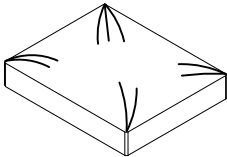


INSTRUCTION MANUAL ENCLOSED

OUTDOOR CHAIR ASSEMBLY INSTRUCTION



PARTS LIST

Parts	Description	Quantity
	PARTS	
A	Back Frame	1
B	Bottom Frame	1
C	Left Arm	1
D	Right Arm	1
E	Back Cushion & Pillow	1
F	Seat Cushion	1
	HARDWARE	
G	Bolt	8
H	Allen Key	1

<p>A</p>  <p>x1</p>	<p>B</p>  <p>x1</p>	<p>C</p>  <p>x1</p>
<p>D</p>  <p>x1</p>	<p>E</p>  <p>x1</p>	<p>F</p>  <p>x1</p>
<p>G</p>  <p>x8 Ø1/4*2 3/4"</p>	<p>H</p>  <p>x1</p>	

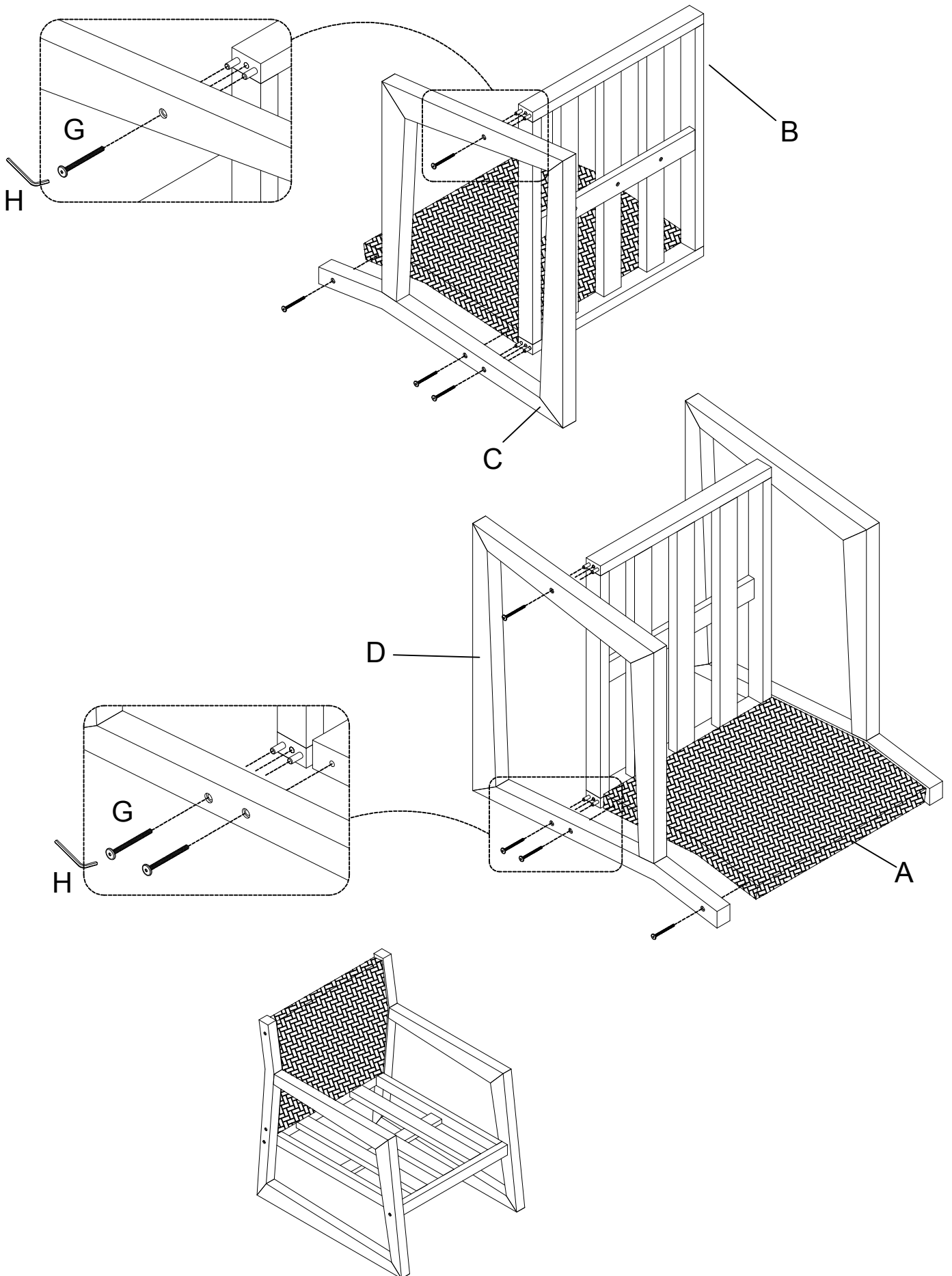
PLEASE READ AND FOLLOW ALL SAFETY TIPS

Warm Tips:

1. The plastic covers on some metal parts are just for product protection. Please remove it before assembly.
2. Please follow the sequence of AI during assembly.

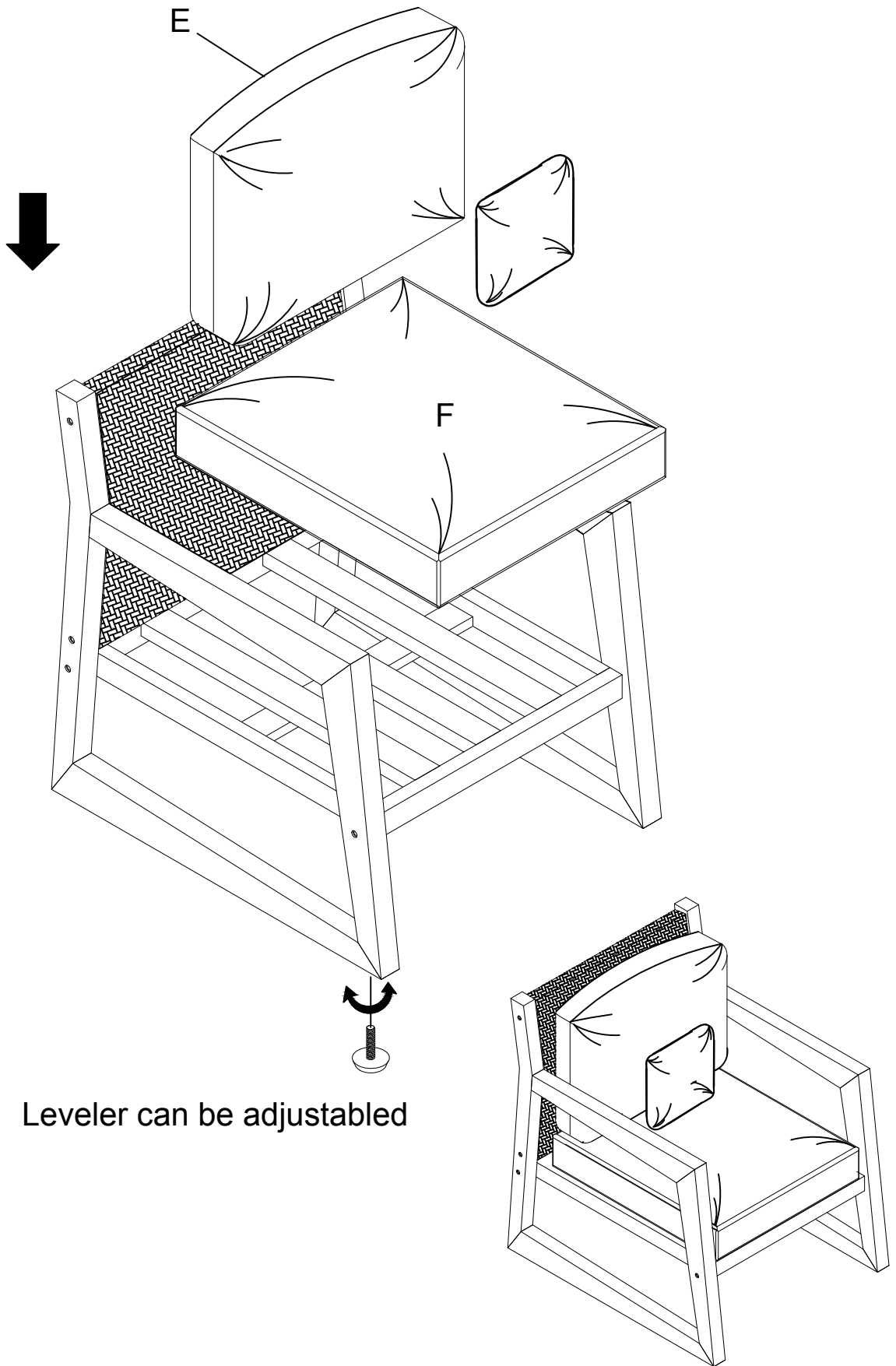
1

Position Right Arm(D), Left Arm(C) with Bottom Frame(B) and Back Frame(A) by the pre-drilled threads. Use Allen Key(H) to fasten Bolts(G) . Each Arm should have 4 Bolt(G) fastened. (Photo 1)



2

Place Back Cushion & Pillow(E) and Seat Cushion(F) on the assembled chair as shown.



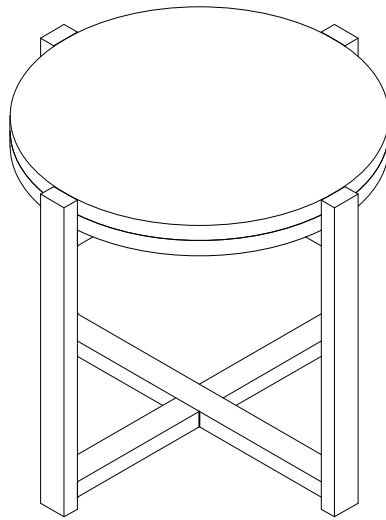
Leveler can be adjustable

You have completed assembling the furniture - enjoy!

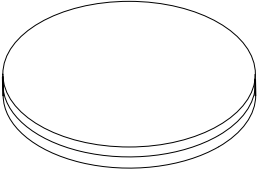
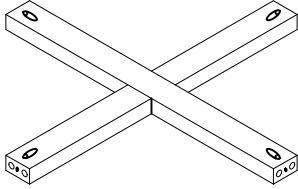
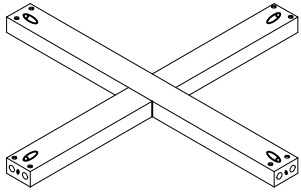


INSTRUCTION MANUAL ENCLOSED

OUTDOOR CORNER TABLE

ASSEMBLY INSTRUCTION



Parts	PARTS LIST Description	Quantity
	PARTS	
A	Table Top	1
B	Bottom Frame	1
C	Top Frame	1
D	Leg	4
	HARDWARE	
E	Screw #8*1-1/4"	16
	SPARE PARTS	
E	Screw #8*1-1/4"	1
	Leveler	1

<p>A</p>  <p>x1</p>	<p>B</p>  <p>x1</p>	<p>C</p>  <p>x1</p>
<p>D</p>  <p>x4</p>	<p>E</p>  <p>x16 #8*1-1/4"</p>	

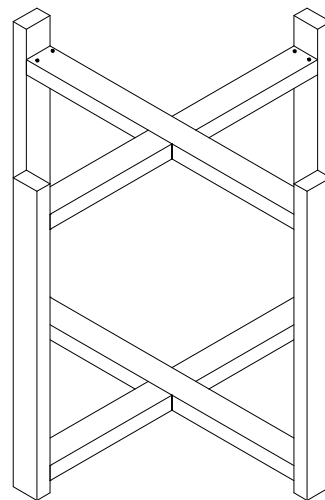
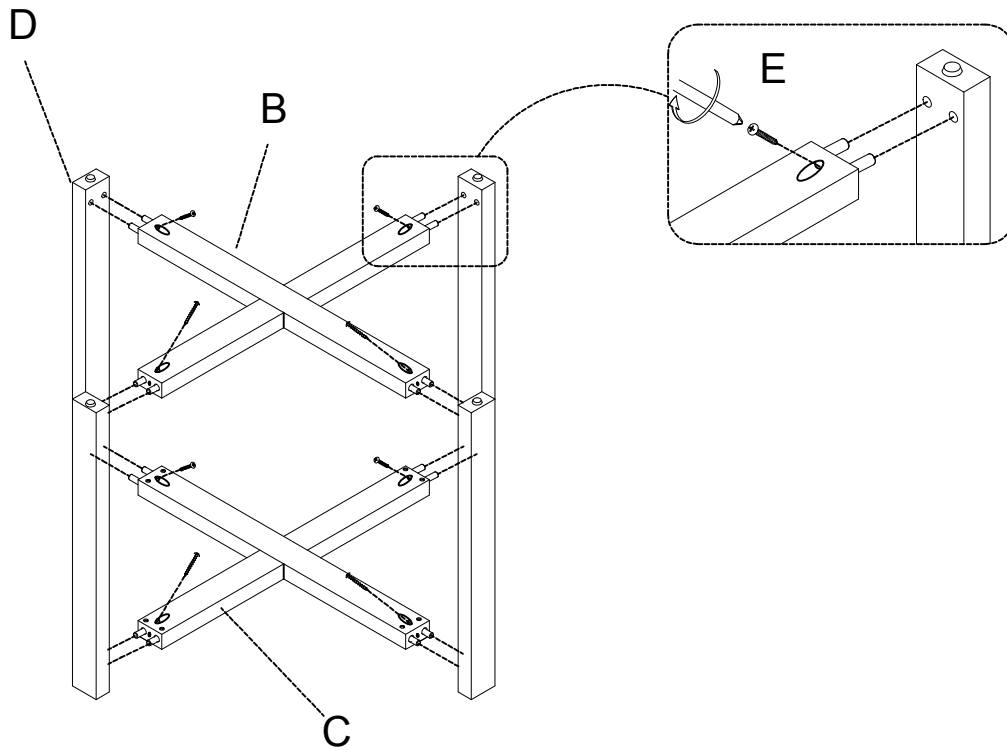
PLEASE READ AND FOLLOW ALL SAFETY TIPS

Warm Tips:

1. The plastic covers on some metal parts are just for product protection. Please remove it before assembly.
2. Please follow the sequence of A-I during assembly.
3. Do not tighten the screws until all of them are in right positions.

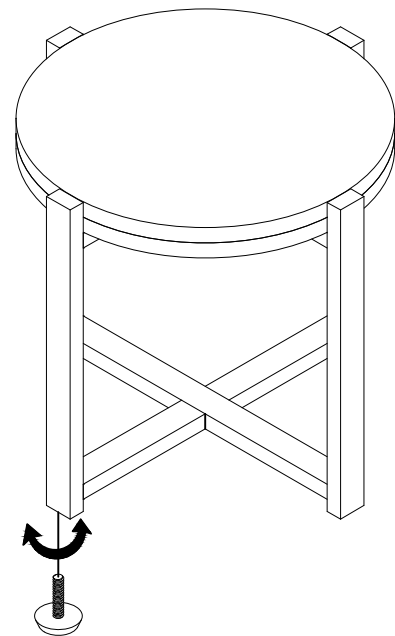
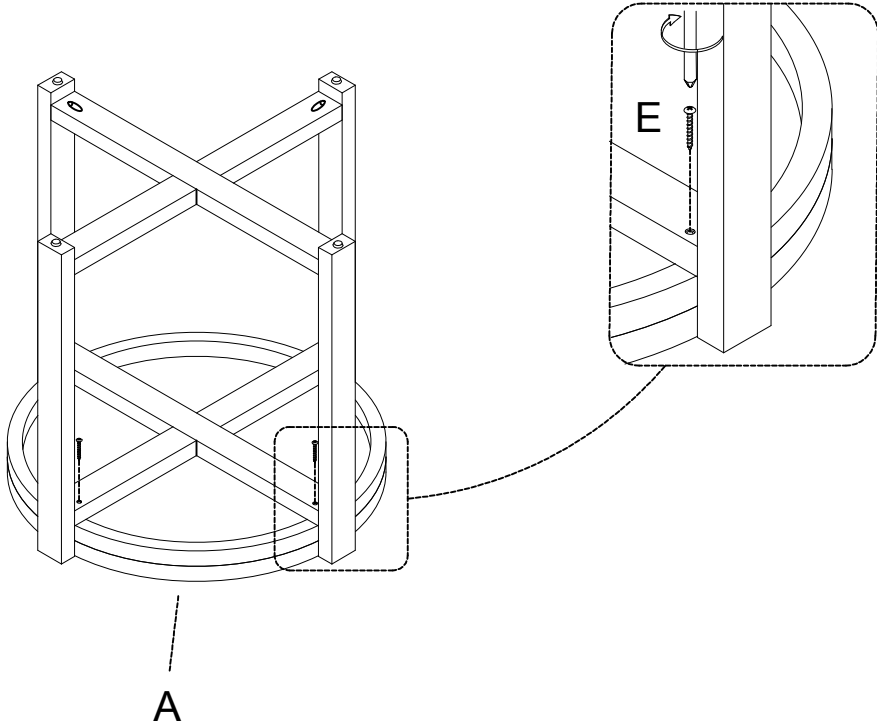
1

Position each leg(D) with Bottom Frame(B) and Top Frame(C) by the pre-drilled threads. Use Screwdrivers to fasten screw(E) . Each leg should have 2 screw(E) fastened 50% . (Photo 1)



2

Position Table top(A) inside the top of wooden Frame by the pre-drilled threads. Use Screwdrivers to fasten screw(E) .



Leveler can be adjustable

You have completed assembling the furniture - enjoy!