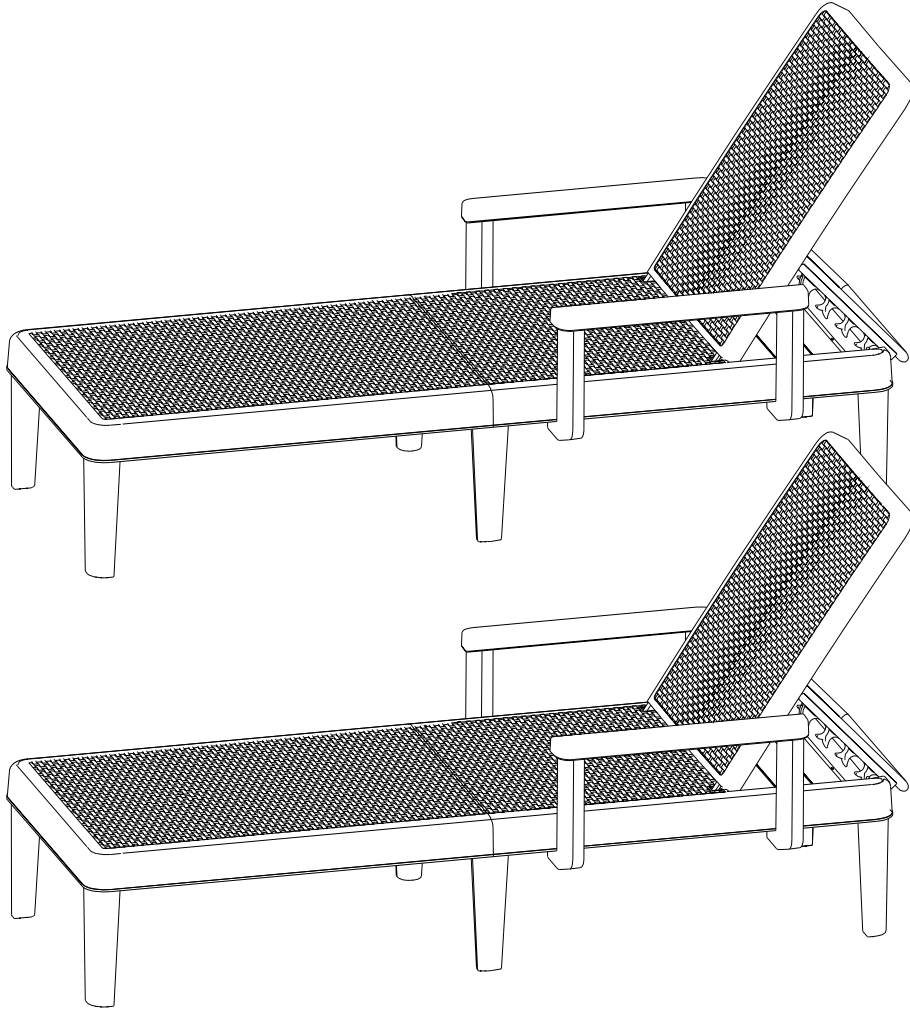

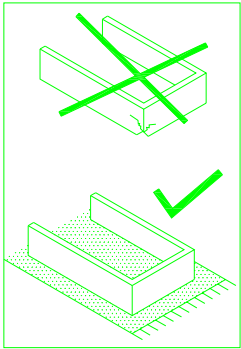


2 Pcs Patio Chaise Lounge with Arm

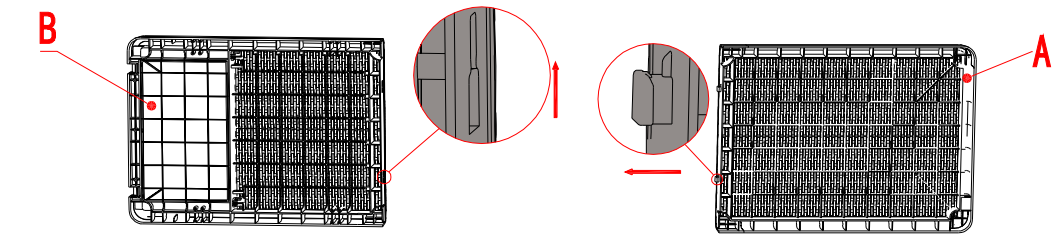
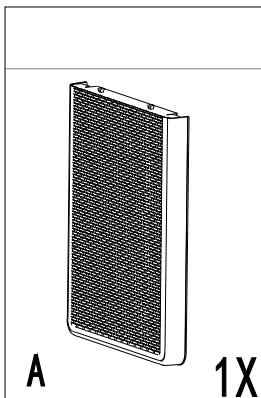


 <p>A 2X</p>	 <p>B 2X</p>
 <p>C 2X</p>	 <p>D 8X</p>
 <p>E 4X</p>	 <p>F 4X</p>
 <p>G 8X</p>	 <p>H 4X</p>
 <p>J 4X</p>	 <p>K 8X</p>
 <p>L 2X</p>	 <p>M M6*45 4X</p>
 <p>N M6 4X</p>	 <p>P ST5*40 32X</p>
 <p>Q 1X</p>	 <p>R 1X</p>

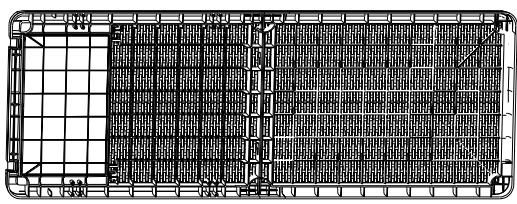
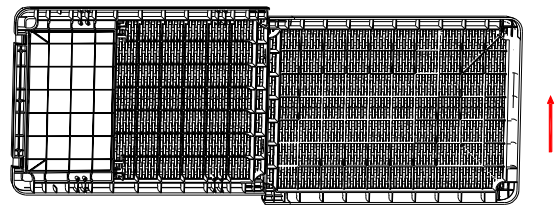
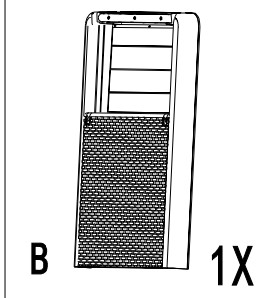


1

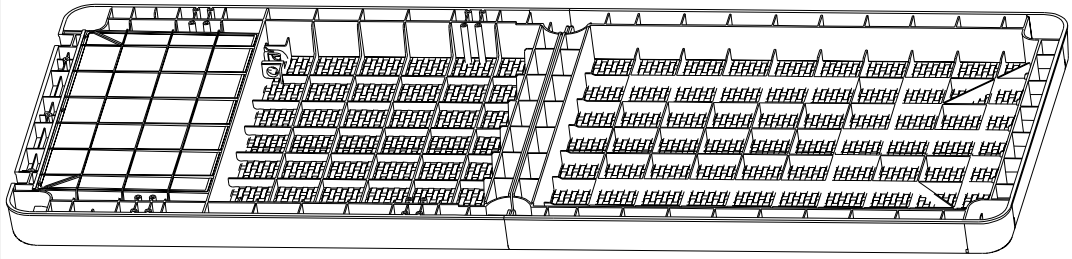
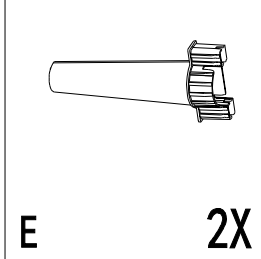
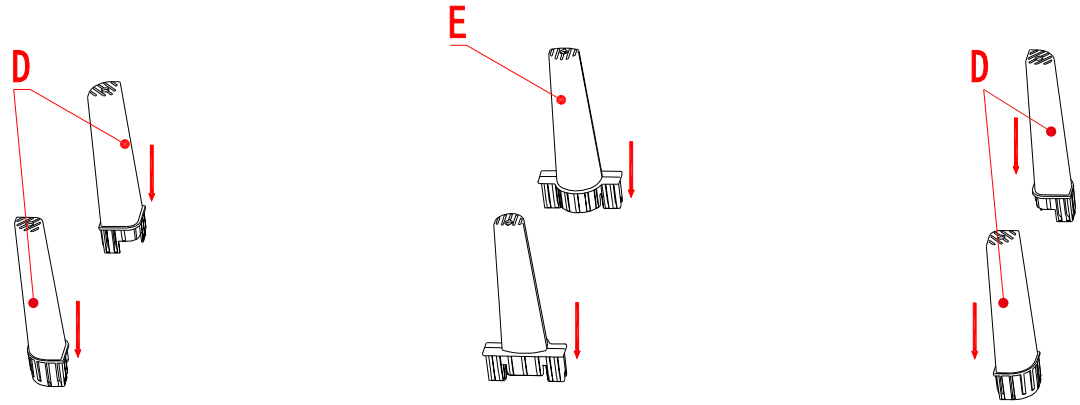
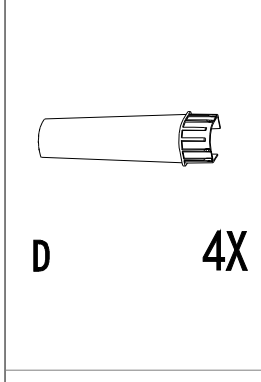
Note: Don't tighten the screws during assembly.
Tighten them all at once after all screws are in place.



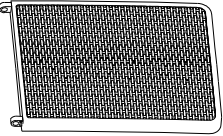
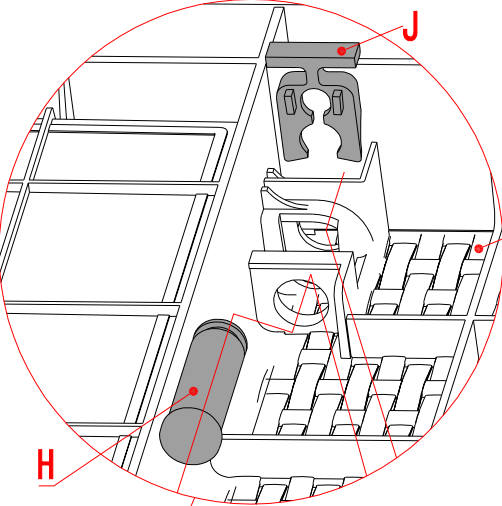
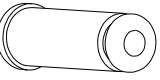
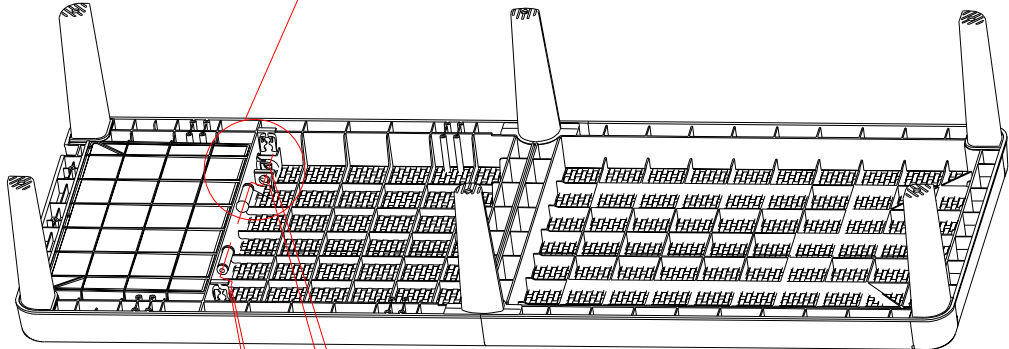
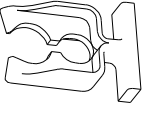
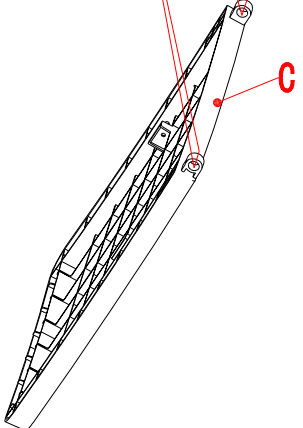
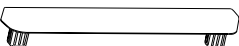
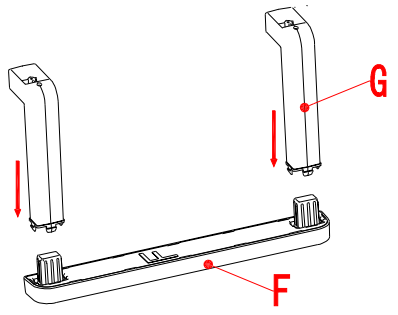
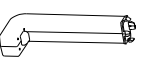
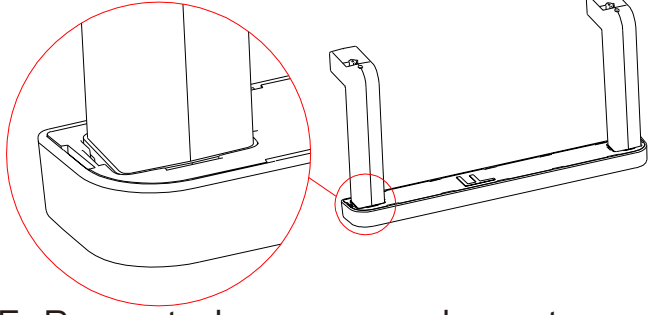
(1) Align chair seat #B with #A as shown, and secure #A to #B from bottom to top.

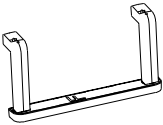
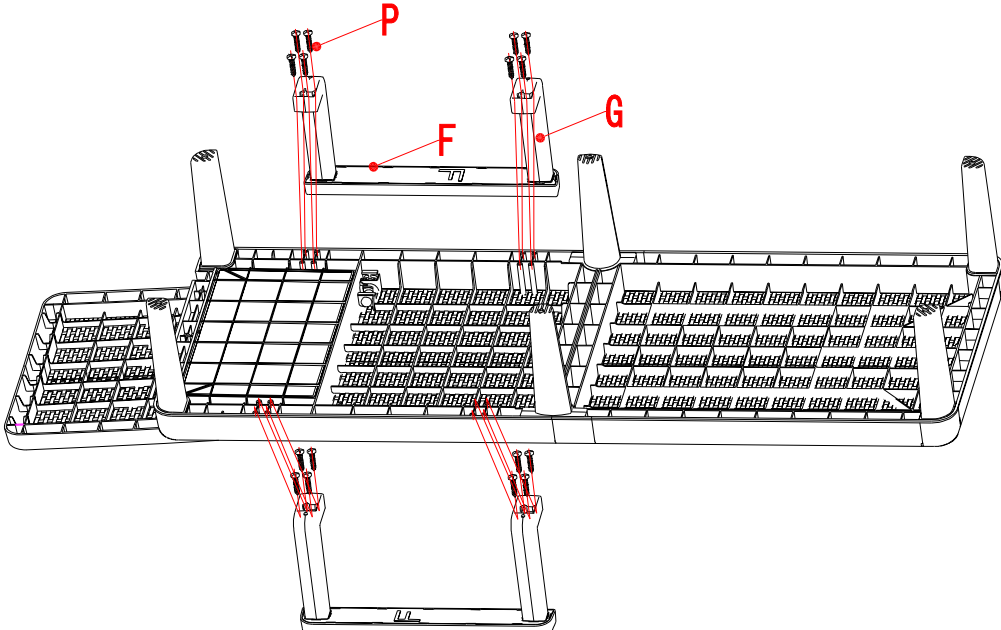

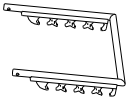
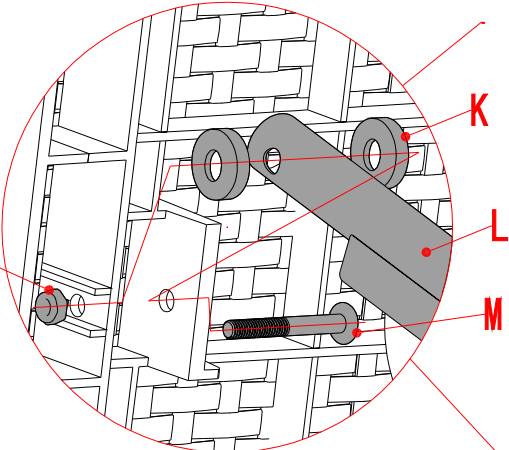

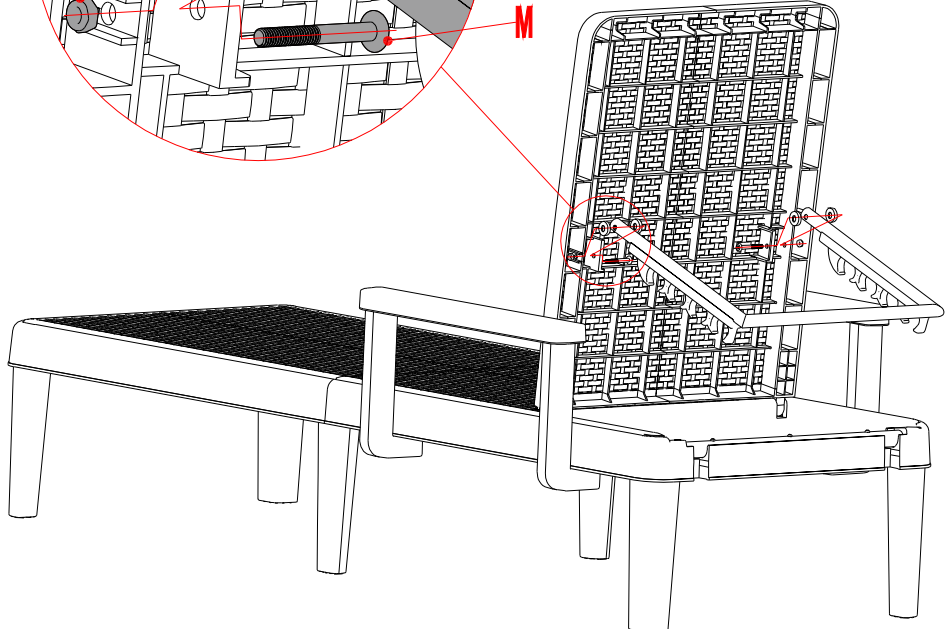




(2) Install 4 chair legs #D and 2 chair legs #E to seat #A & #B as shown.



2

 <p>C 1X</p>	
 <p>H 2X</p>	
 <p>J 2X</p>	 <p>(1) Connect chair back #C to chair seat #B, install #H first, and then install #J to fix.</p>
 <p>F 2X</p>	
 <p>G 4X</p>	 <p>(2) Install 2 #G onto #F. Repeat above procedures to assemble the other handrail.</p>
<p>3</p>	

 <p>F G 2X</p>	
 <p>P 16X</p>	<p>Use 16 #P to secure 2 handrails #F G to the sides of the chaise lounge as shown.</p>
 <p>L 1X</p>	
 <p>M6*45 M 2X</p>	
 <p>K 4X</p>	
 <p>M6 N 2X</p>	<p>Install #M, #K, #L, and #K on #C in sequence from the inside out, and secure them with #N as shown.</p>
<p>4</p>	<p>Repeat above procedures to assemble another chair.</p>