

WARNING

- * Switch off the main electrical supply from the main fuse box / circuit breaker before installation.
- * Inspect item carefully before attempting to install.
- * If there is any damages or obvious defects, do not install.
- * Item may not be returned once it has been installed.















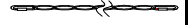





CARE AND MAINTENANCE

- * To clean the outside of the fixture, use a dry or slightly dampened clean cloth (use clean water, never a solvent) to wipe the surface of the fixture.
- * To clean the inside of the fixture, first disconnect power to the fixture by turning off the circuit breaker or by removing the fuse at the fuse box. Next, use a dry or slightly dampened clean cloth (use clean water, never a solvent) to wipe the interior surface of the fixture.
- * Do not use any cleaners with chemical, solvents or harsh abrasives. Use only a dry soft cloth to dust or wipe carefully.

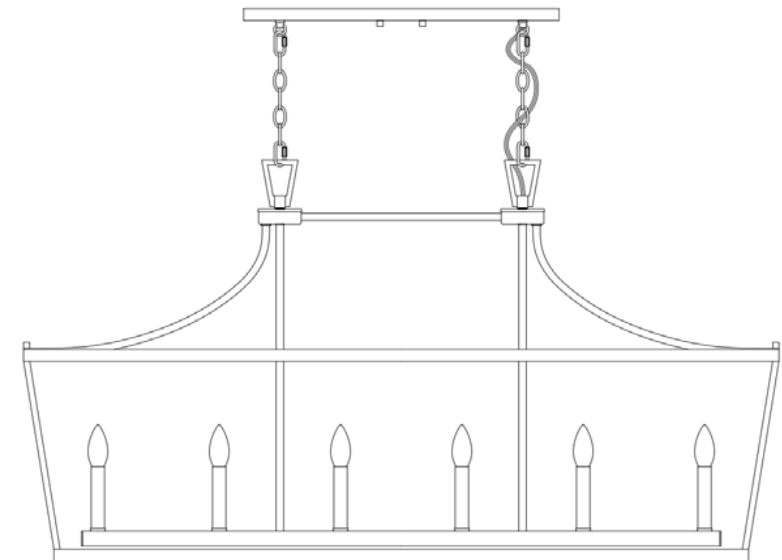
NOTICE& IMPORTANT SAFETY INSTRUCTIONS

- ** WE RECOMMEND INSTALLATION OF THIS LIGHTING FIXTURE BE DONE BY A LICENSED ELECTRICIAN **
- * Please make sure that you have all parts indicated before you begin assembly of this item
- * This item should be assembled on a soft surface to prevent scratching the finish during assembly
- * To reduce the risk of fire, electrical shock or injury to persons or property, please follow the guideline below for safe use and installation
- *The external flexible cable or cord of this lamp cannot be replaced
If the cord is damaged, the lamp shall be destroyed

Part List and Hardware List

| PIECE | DESCRIPTION | PICTURE | QUANTITY | PIECE | DESCRIPTION | PICTURE | QUANTITY |
|-------|----------------|---|----------|-------|--------------------------|---|----------|
| A | Wire Connector |  | 3X | K | Cap |  | 2X |
| B | Mounting Plate |  | 1X | L | Arm Assembly |  | 1X |
| C | Ground Screw |  | 1X | M | Ball Screw |  | 4X |
| D | Mounting Screw |  | 2X | N | Top Square Tube Frame |  | 1X |
| E | Canopy |  | 1X | O | Screw |  | 16X |
| F | Canopy Nut |  | 2X | P | Square Tube Pillars |  | 4X |
| G | Closable Link |  | 4X | Q | Bottom Square Tube Frame |  | 1X |
| H | Chain |  | 2X | R | Center Rod |  | 2X |
| I | Fixture Loop |  | 2X | S | Bulb |  | 6X |
| J | Rubber Washer |  | 4X | T | Socket Assembly |  | 1X |

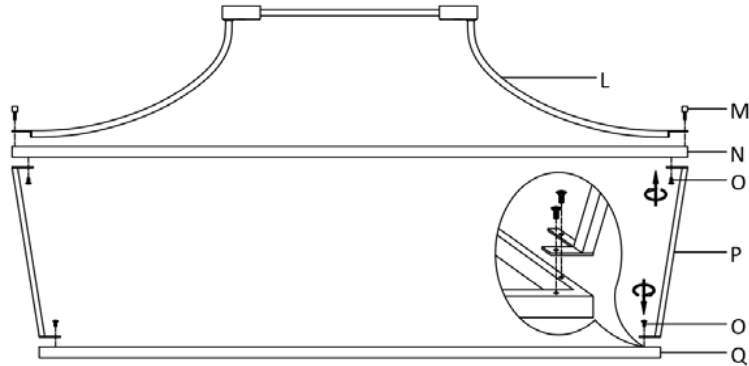
Product Dimensions: 49"L X 15"W X 32-104"H



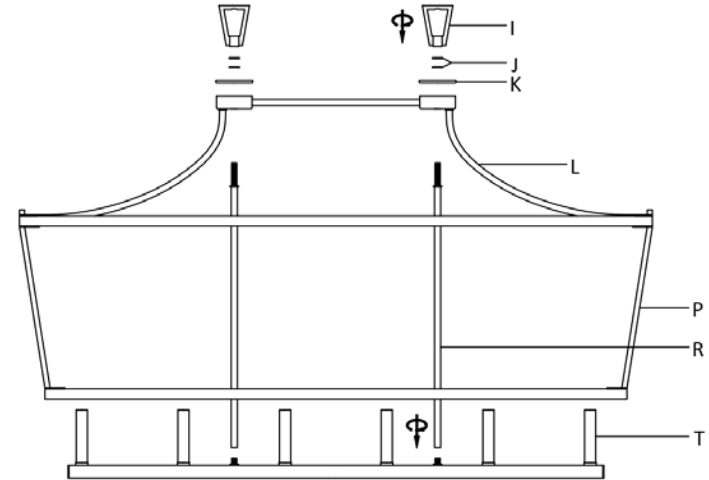
PREPARATION

- * Before beginning assembly of product, make sure all parts are present. Compare parts with package contents list and hardware contents list.
- * If any part is missing or damaged, do not attempt to assemble the product.
- * Estimated Assembly Time: 30 minutes.
- * Tools Required for Assembly (not included): Screwdriver, Junction box
- * If you are having difficulty, our friendly Customer Care team is always here to help. Please email customersupport@safavieh.com

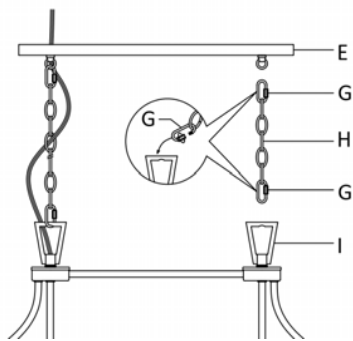
NOTE: PLEASE USE TYPE "B" BULB MAX 40-WATT OR LED BULB MAX 9-WATT, THERE ARE 6PCS LED 4-WATT BULB IN THE BOX



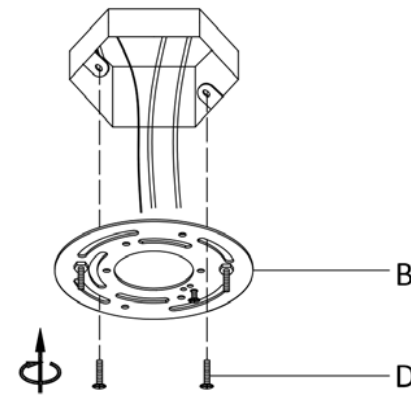
Step 1: Unpack all parts from cartons carefully. Attach the ends of the Square Tube Pillars (P) to the Top Square Tube Frame (N) and Bottom Square Tube Frame (Q) with Screw (O). Spread arm of the Arm Assembly (L), attach the Arm Assembly (L) to the Top Square Frame (N) with Ball Screw (M).



Step 2: Thread the Center Rod (R) to the Socket Assembly (T). Attach the Center Rod (R) to the Arm Assembly (L), Cap (K) and Rubber Washer (J), then secure with Fixture Loop (I).



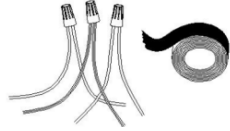
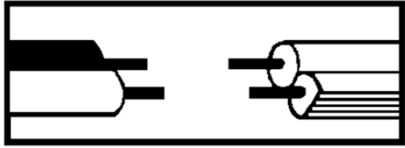
Step 3: Use Closable Link (G) attach the Chain (H) ends onto the Fixture Loop (I) and the hanging loop at the bottom of Conapy (G). Gently cord and ground wire through Chain (H) and Canopy (D), through Chain (H) about every third link.



Step 4: Fix the Mounting Plate (B) to the junction box with Mounting Screw (D).

PREPARATION

- * Before beginning assembly of product, make sure all parts are present. Compare parts with package contents list and hardware contents list.
- * If any part is missing or damaged, do not attempt to assemble the product.
- * Estimated Assembly Time: 30 minutes.
- * Tools Required for Assembly (not included): Screwdriver, Junction box
- * If you are having difficulty, our friendly Customer Care team is always here to help. Please email customersupport@safavieh.com



Step 5: Wire connection

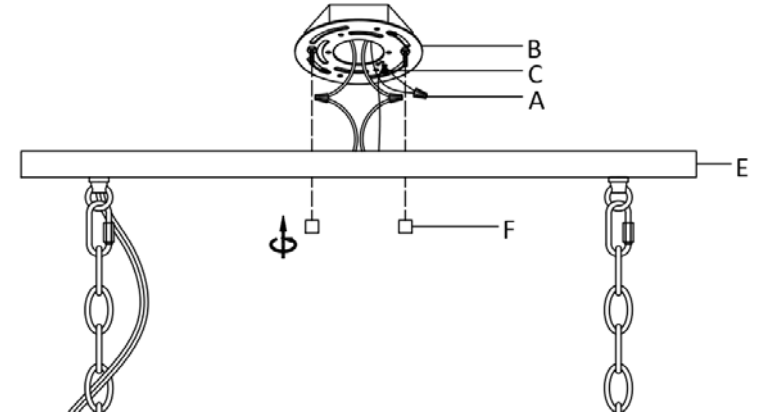
Connect fixture neutral wire (ribbed) to the outlet box neutral wire (usually white) using a wire connector (A).

Connect fixture hot wire (smooth with markings) to the outlet box hot wire (usually black) using a wire connector (A).

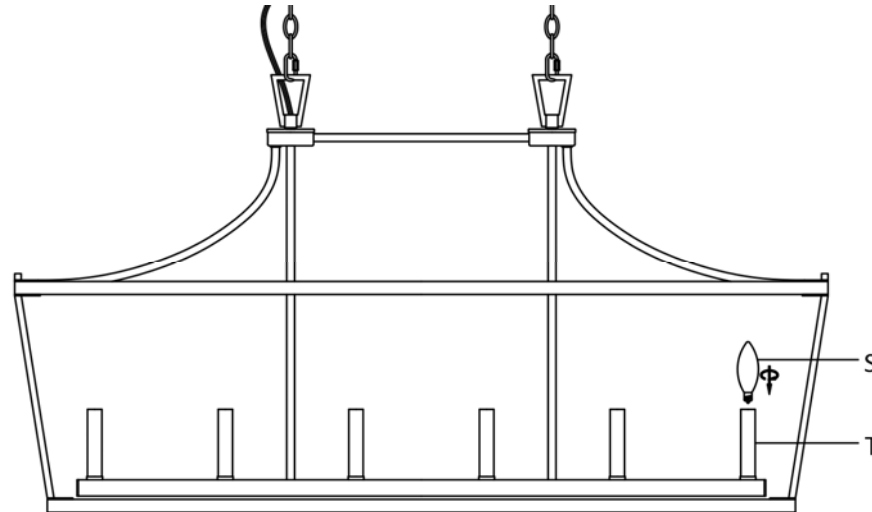
CAUTION: Do not reverse the hot and neutral connections

Grounding Instructions:

Wrap ground wire from outlet box around green ground screw (C) on mounting bracket, no less than 2" from wire end. Tighten ground screw. If fixture is supplied with a ground wire, connect to outlet ground wire with a wire connector (A).



Step 6: Tuck wires inside junction box. Attach the Canopy (E) to the Mounting Plate (B), and fix it by turning the Canopy Nut (F) clockwise.



Step 7: Insert the Bulbs (S) into the Sockets