

INSTRUCTION MANUAL

ASSEMBLY PARTS AND TOOL

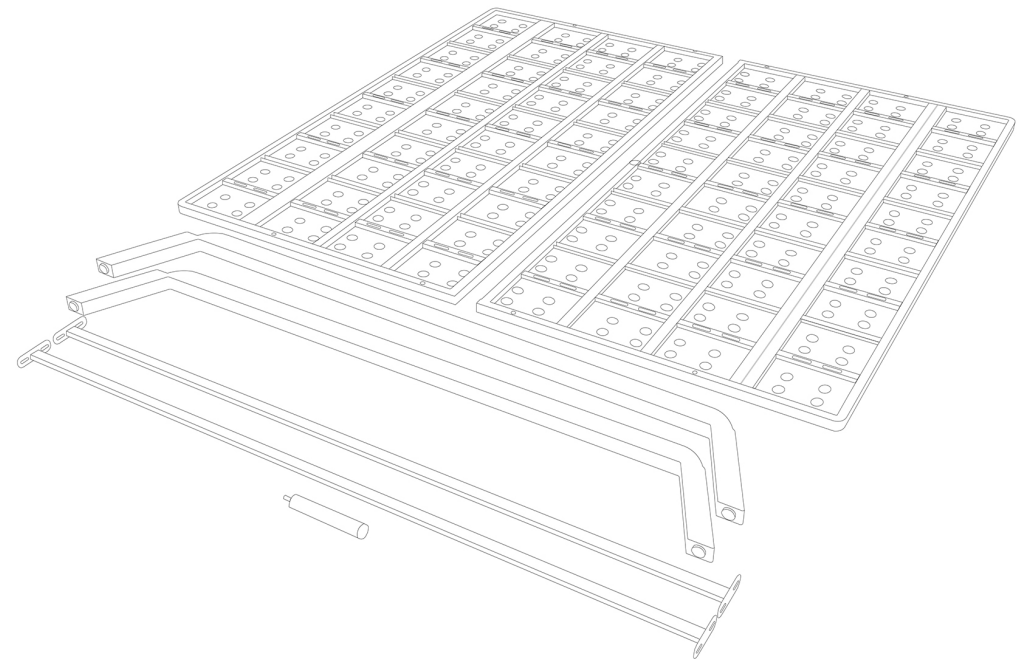
BEFORE YOU GET STARTED, A FEW POINTERS:



Having a friend to help makes assembly extra-easy



Please use the included wrench instead of an ELECTRIC HAND DRILL in case of damage to the chair leg.

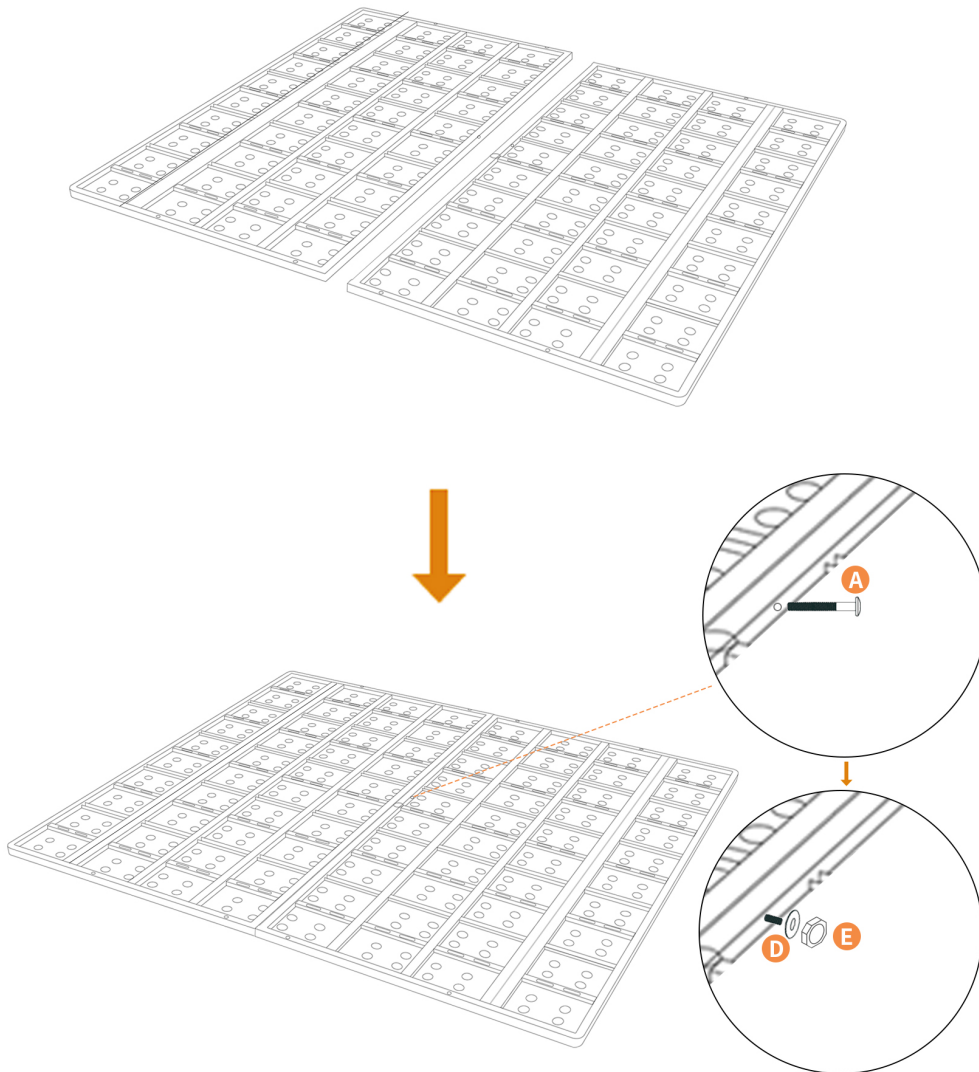


PLEASE MAKE SURE ALL THE PARTS ARE INCLUDED.

MISSING PARTS?

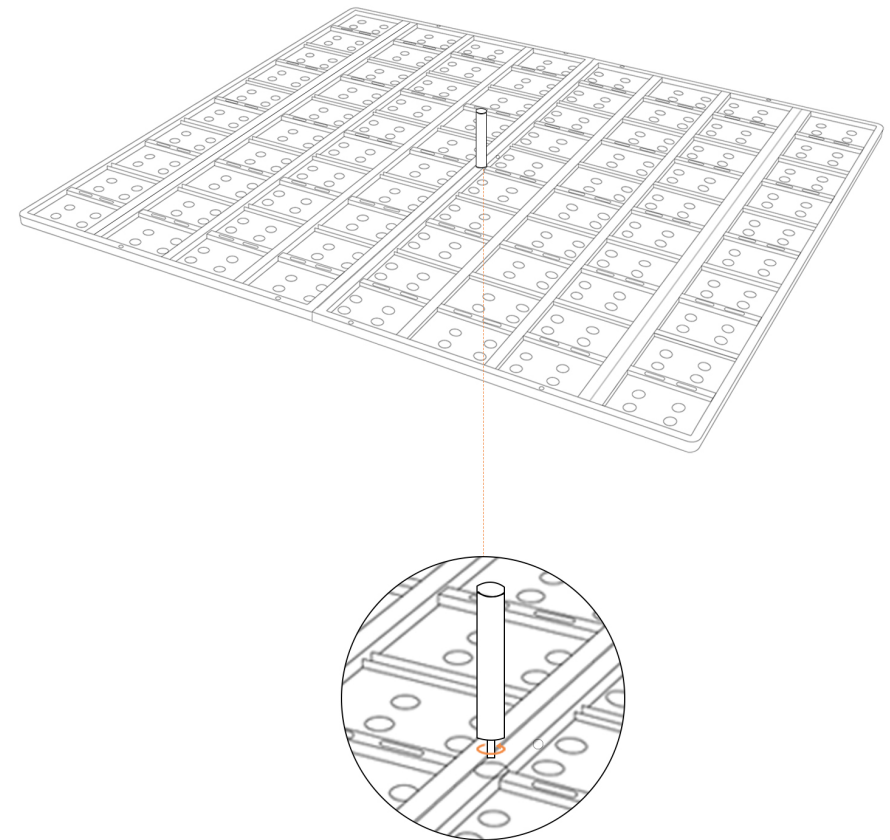
ASSEMBLY INSTRUCTIONS

step 1 Align the two parts of the bed frame together with their holes, then place Bolt A into the hole. Next, on the other side, use a tool to tighten the flat washer and nut onto the bolt.



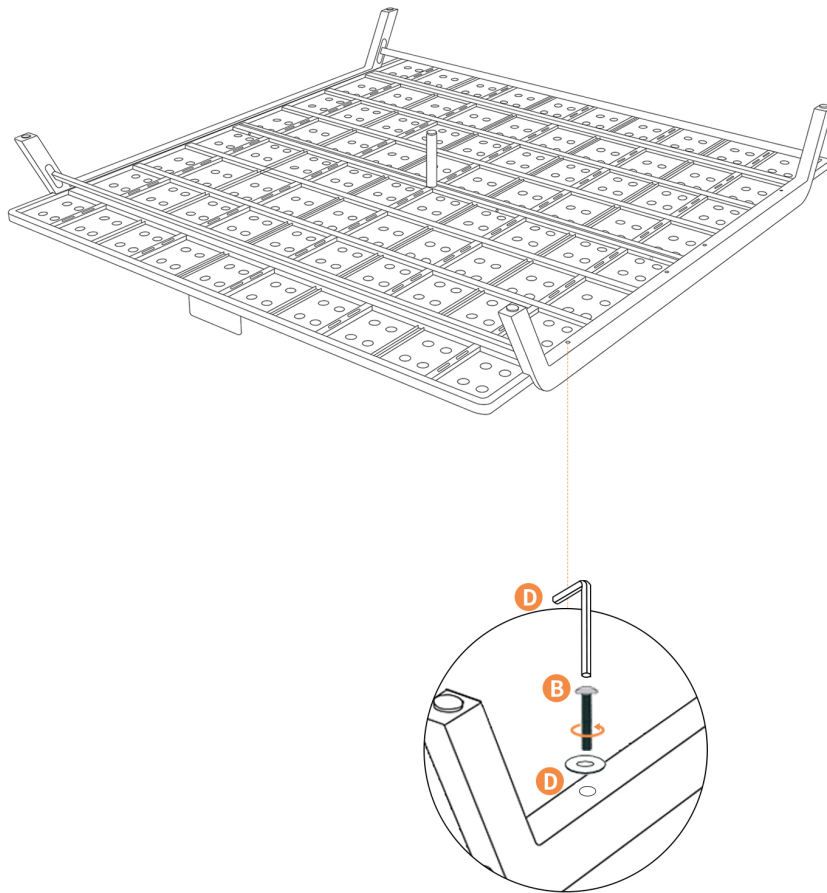
ASSEMBLY INSTRUCTIONS

step 2 Install the adjustable feet and turn clockwise to tighten, no tools required.



ASSEMBLY INSTRUCTIONS

step 3 Align the bed frame legs with the holes, then place the flat washers and bolts into the holes together, and tighten them using Allen wrench D.



ASSEMBLY INSTRUCTIONS

step 4 Place the flat washer D of the fixed bed leg and bolt B into the hole and tighten with an Allen wrench.

