

# Installation and Operation Manual

Ceiling Fan with Lights



## **BEFORE YOU BEGIN**

Read this manual carefully and completely, and keep it for future reference.

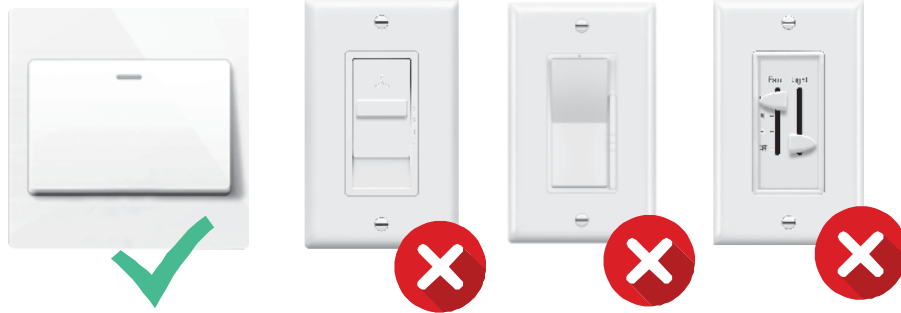
## **WARNINGS**

To reduce the risk of electric shock, make sure electricity has been turned off at the circuit breaker or fuse box before installing.

All wiring must be in accordance with national and local electrical codes. Electrical installation should be performed by a qualified electrician.

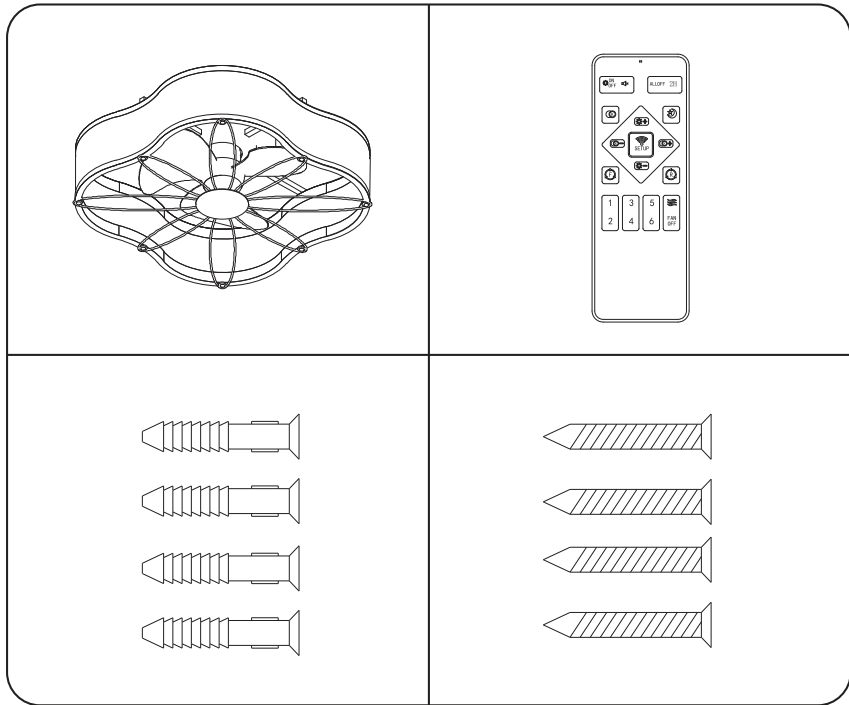
The outlet box and ceiling support structure must be securely mounted and capable of supporting the fan.

To reduce the risk of personal injury, do not insert objects between rotating fan blades.



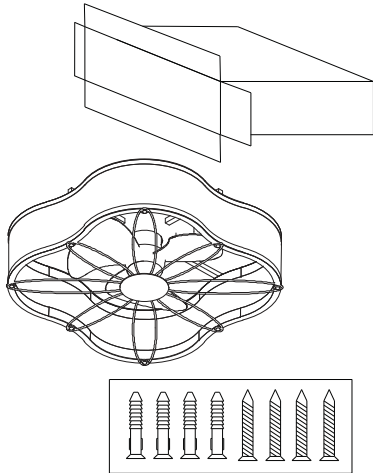
- Do not operate this fan with a variable (Rheostat) wall controller or dimmer switch.
- Doing so could result in damage to the ceiling fan's remote control unit.

## Package Contents

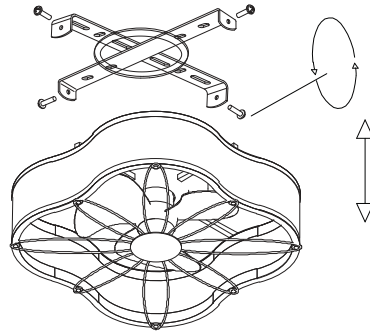


# Installation Step

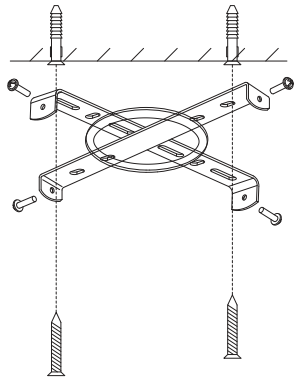
- 1** Unpack your fan and check the contents.



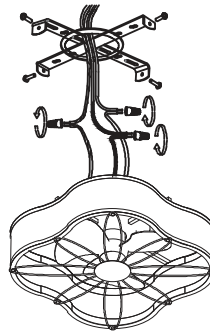
- 2** Unscrew the screws on the both sides of mounting bracket and separate the mounting bracket and lamp body.



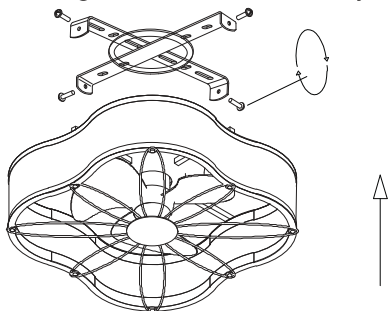
- 3** Install the mounting bracket to the ceiling. Insert 4 screws (do not tighten) on sides of the mounting bracket.



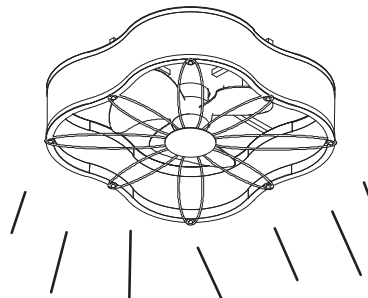
- 4** Connect wires from the receiver to house supply wires. Black to black (hot), white to white (neutral), green or bare copper to ground wire.



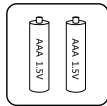
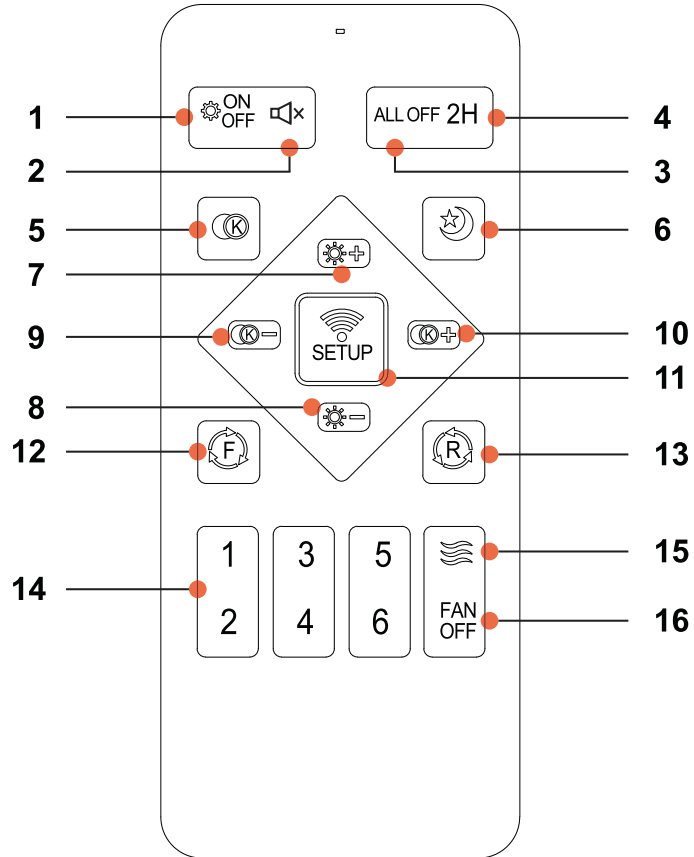
- 5** Align the slotted holes in the ceiling plate with 4 screws previously screwed in step 3, turn ceiling plate counterclockwise until it locks in place. Tighten all 4 screws firmly.



- 6** Installation completed.



# Remote Control




## NOTICE:

This remote control does not contain batteries.  
Please insert 2x1.5V batteries before use.

<b>1</b>	Turn ON / OFF the light
<b>2</b>	Mute Button
<b>3</b>	Turn ALL OFF
<b>4</b>	Auto turn off after 2 hours
<b>5</b>	Quick Switch of Color Temperature (3000K/4000K/6000K)
<b>6</b>	Night Light Mode
<b>7</b>	Brightness +
<b>8</b>	Brightness -
<b>9</b>	Color Temperature -
<b>10</b>	Color Temperature +
<b>11</b>	Pairing Button
<b>12</b>	Forward Rotation Mode (Fan function)
<b>13</b>	Reverse Rotation Mode (Increase air circulation)
<b>14</b>	Turn ON the fan / Adjust fan speed
<b>15</b>	Natural Wind Mode
<b>16</b>	Turn OFF the fan

# OPERATING INSTRUCTIONS

## REMOTE SIGNAL PAIRING

If the remote control loses signal, long press the  button within 3 seconds after the light is powered on. When the light flashes, the pairing is successful.

If the pairing is not successful, turn off the power for one minute and repeat the above operation.

**NOTE:** Both the fan and the light will be controlled by the remote. The wall switch (if applicable) is not able to control all functions of the fixture.

## MEMORY FEATURES

The last color/brightness settings are remembered when it's turned off/on by the remote.

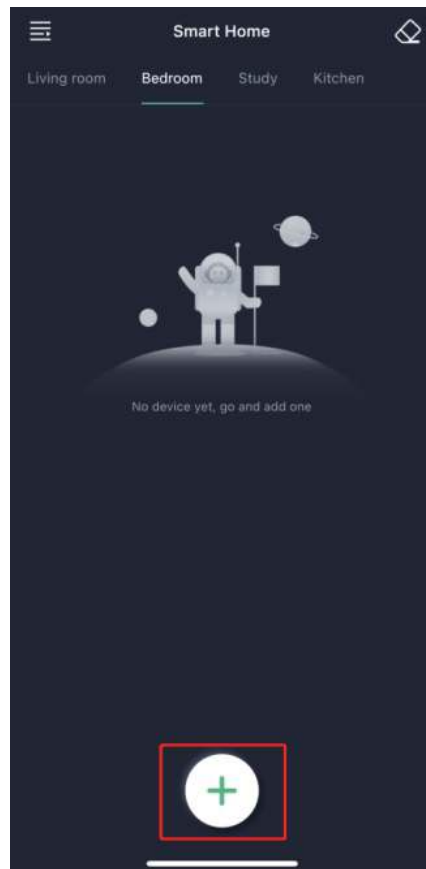
If it's turned off at wall switch, the last color/brightness settings will be remembered only after that setting operated over 10 seconds.

## REVERSE DIRECTION

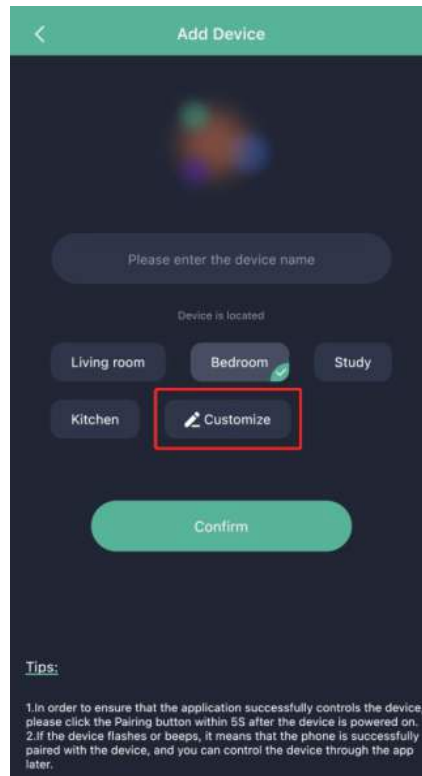
Wait for the fan to stop and reverse blade direction after pressing the Forward or Reverse button.

# Mobile APP User Guide

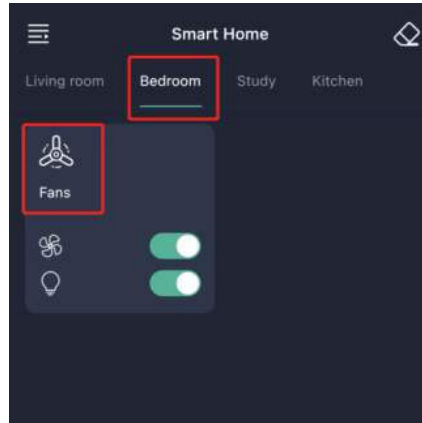
Click the + icon to add a new device.



You can enter a name for the device, and choose where the device is located. You can customize your own location name as well.



Click the location on the top, and click the device you just added.



On the device control page, you need to make sure the Bluetooth on the Phone is on. Then turn off the power of the device, and turn on the power again. When the light of the device is on, you can click the Pairing Icon to pair the device with your Phone within 5s after the device is powered on. Once the Pairing Icon turns green, it means you have paired them successfully. Now, you can operate your device through the APP.

You can turn to the Instruction Page to learn more information about the APP and how to operate your device.

