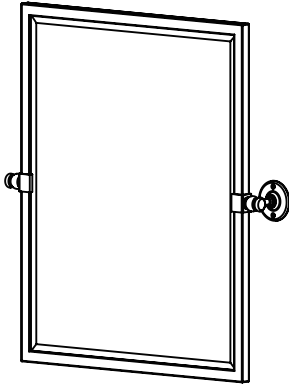
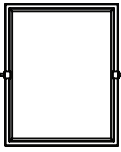
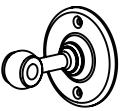
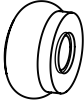




MOUNTING INSTRUCTIONS



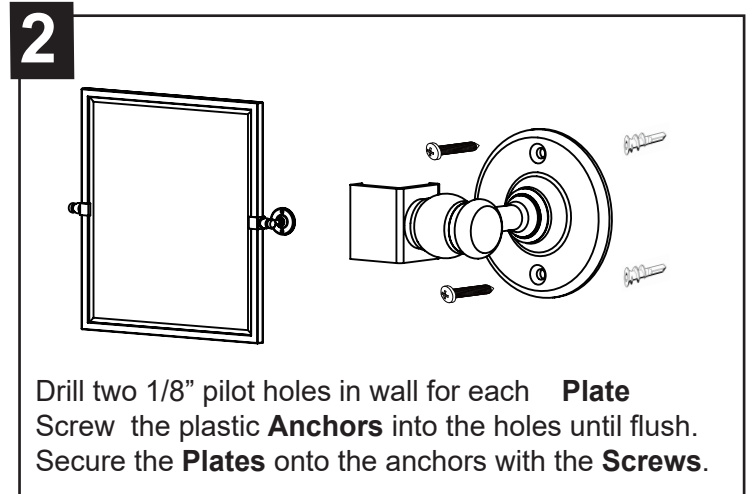
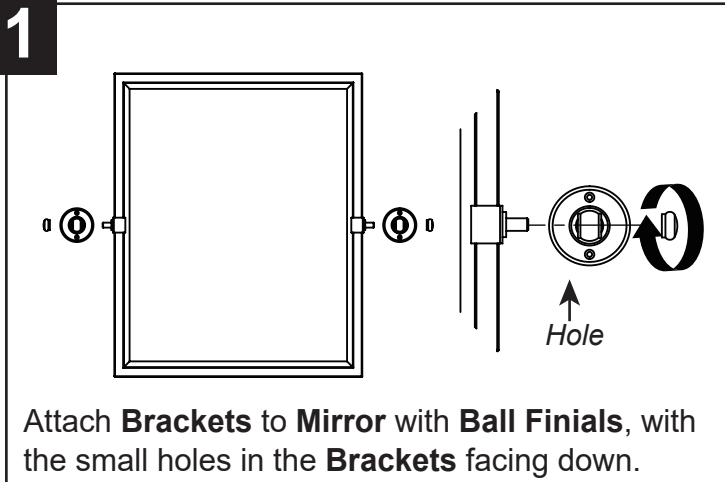
Contents:

| | | | | |
|---|---|---|---|---|
|  |  |  |  |  |
| Mirror X1 | Bracket X2 | Ball Finial X2 | Screw X4 | Anchor X4 |



Missing Hardware: The parts are been carefully packed within a red bag and inserted in the styrofoam. Please check again in case you do not find the parts. If your order indeed arrives missing hardware, please do not worry, and feel free to reach out to us for help, we will ship you the replacement ASAP.

The hardware included with this item is meant for dry wall mounting only. If other wall types, please consult your local hardware store for assistance



Cleaning

Avoid using commercial or abrasive cleaners. Using only a soft damp cloth will preserve the finish.